



EMPOWERED PERFORMANCE

GENERAL CATALOGUE

www.omal.com

PRODUCTS



OMAL S.p.A.

INDICE GENERALE MAIN INDEX

I dati e le caratteristiche di questo catalogo potrebbero essere variati anche senza preavviso e, pertanto, non sono vincolanti ai fini della fornitura.
Data and specifications here contained may be changed without notice and according to our latest improvements.



MAGNUM & THOR

Pag. 17



PROCHEMIE 60

Pag. 223



HERCULES

Pag. 243



KRATOS

Pag. 267



SUPREME - TRUNNION

Pag. 303



**ALTRE VALVOLE A SFERA
OTHER BALL VALVES**

Pag. 323



**VALVOLE A FARFALLA
BUTTERFLY VALVES**

Pag. 413



VIP & VIP EVO

Pag. 473



**VALVOLE FLUSSO AVVIATO
ANGLE SEAT VALVES**

Pag. 513



**ATTUATORI PNEUMATICI
PNEUMATIC ACTUATORS**

Pag. 567



**ATTUATORI ELETTRICI
ELECTRIC ACTUATORS**

Pag. 663

1. **VALVOLE A SFERA
BALL VALVES**

2. **VALVOLE A FARFALLA
BUTTERFLY VALVES**

3. **VALVOLE PNEUMATICHE
PNEUMATIC VALVES**

4. **ATTUATORI PNEUMATICI
PNEUMATIC ACTUATORS**

5. **ATTUATORI ELETTRICI
ELECTRIC ACTUATORS**



EMPOWERED PERFORMANCE

Il giusto equilibrio tra uomo e ambiente migliora la qualità della vita, garantendo un mondo migliore alle generazioni future.

The right balance between human and environment improves the quality of life, ensuring a better world to future generations.



VISION & MISSION

PASSIONE
PASSION

SENSO DEL DOVERE
SENSE OF DUTY

RISPETTO
RESPECT

Garantiamo un mondo migliore ai nostri figli.
Grazie ai nostri prodotti proteggiamo
l'ambiente che ci circonda e miglioriamo
concretamente la qualità della vita rendendo
più sicuri ed affidabili gli impianti.

*We ensure a better world to our children.
Thanks to our products we take care of
the environment and we improve the
quality of life making safer and
more reliable plants.*

CERTIFICAZIONI AZIENDALI COMPANY CERTIFICATES

MANAGEMENT SYSTEM CERTIFICATE

Certificate no.: 109786-2012-AE-ITA-ACCREDIA Initial certification date: 23 January 2012 Valid: 24 January 2024 – 23 January 2027

This is to certify that the management system of **OMAL S.p.A.**
Via Ponte Nuovo, 11/1 - 25050 Rodengo Saiano (BS) - Italy
and the sites as mentioned in the appendix accompanying this certificate

has been found to conform to the Environmental Management System standard:
ISO 14001:2015

This certificate is valid for the following scope:
Design and manufacturing of pneumatic actuators, electric actuators, pneumatic coaxial and angle seat valves, manual and automatized ball and butterfly valves by machining, plastic moulding, assembly, testing, packaging and shipping (IAF 18)

Evaluated according to the requirements of Technical Regulations RT-09

Place and date:
Vimercate (MB), 19 January 2024

For the issuing office:
DNV - Business Assurance
Via Energy Park, 14 - 20871 Vimercate (MB) - Italy

Claudia Baroncini
Claudia Baroncini
Management Representative

Lack of fulfillment of conditions as set out in the Certification Agreement may render this Certificate invalid.
ACCREDITED UNIT, DNV Business Assurance Italy S.r.l., Via Energy Park, 14 - 20871 Vimercate (MB) - Italy - TEL: +39 88 99 905 - www.dnv.it

MANAGEMENT SYSTEM CERTIFICATE

Certificate no.: 236889-2017-AQ-ITA-ACCREDIA Initial certification date: 14 July 1992 Valid: 10 June 2023 – 09 June 2026

This is to certify that the management system of **OMAL S.p.A.**
Via Ponte Nuovo, 11/1 - 25050 Rodengo Saiano (BS) - Italy
and the sites as mentioned in the appendix accompanying this certificate

has been found to conform to the Quality Management System standard:
ISO 9001:2015

This certificate is valid for the following scope:
Design and e production of pneumatic actuators, electric actuators, ball valves 2-way and 3-way, butterfly valves, Angle seat valves, pneumatic valves coaxial through assembly. (IAF: 18)

Place and date:
Vimercate (MB), 11 April 2023

For the issuing office:
DNV - Business Assurance
Via Energy Park, 14 - 20871 Vimercate (MB) - Italy

Claudia Baroncini
Claudia Baroncini
Management Representative

Lack of fulfillment of conditions as set out in the Certification Agreement may render this Certificate invalid.
ACCREDITED UNIT, DNV Business Assurance Italy S.r.l., Via Energy Park, 14 - 20871 Vimercate (MB) - Italy - TEL: +39 88 99 905 - www.dnv.it

PARERE DI VERIFICA VERIFICATION OPINION

N°. VEB-169

RINA SERVICES S.p.A., sulla base della verifica di terza parte condotta, attesta che
RINA SERVICES S.p.A., on the basis of the third-party verification conducted, declares that

Rapporto GHG - Rev. 01 del 11/07/22
per il periodo di riferimento 01/01/2021 – 31/12/2021
GHG Report Rev. 01 dated 11/07/22
for the reference period 01/01/2021 – 31/12/2021

Predisposto dall'organizzazione
Prepared by the organization

OMAL S.p.A.
Via Ponte Nuovo, 11 – 25050 Rodengo Saiano (BS)
Via Brognolo, 12 – 25050 Passirano (BS)

è conforme ai requisiti del seguente documento di riferimento
complies with the requirements of the following reference document

ISO 14064-1:2018 "Parte 1: Specifiche e guida, al livello dell'organizzazione, per la quantificazione e la rendicontazione delle emissioni di gas ad effetto serra e della loro rimozione"
ISO 14064-1:2018 "Part 1: Specification with guidance, at the organization level, for quantification and reporting of greenhouse gas emissions and removals"

In allegato sono riportate le emissioni di GHG rendicontate
The GHG emission reported can be found in the annex

La verifica è stata compiuta ai sensi della UNI EN ISO 14064-3, UNI EN ISO 14065 e UNI EN ISO 17029
The verification was carried out in accordance with UNI EN ISO 14064-3, UNI EN ISO 14065 and UNI EN ISO 17029

Data di rilascio: 22/07/2022
Date of issue: 22/07/2022

RINA Services S.p.A.
Jacopo FERRANDO
Genoa & Milan Management System Certification Head

CERTIFICATE

TÜV SÜD-MUC-DG-3232257.2016.003

Manufacturer: **OMAL S.p.A.**
Via Ponte Nuovo 11
IT – 25050 Rodengo Saiano (BS)

Plant(s): **Via Ponte Nuovo 11 Via Brognolo 12**
IT – 25050 Rodengo Saiano (BS) IT – 25050 Passirano (BS)

Inspection according: **AD 2000-Merkblatt HP 0**

The company

- has facilities permitting manufacturing and inspection in compliance with the current technical standards,
- operates a quality system which guarantees that manufacturing and inspection of the products stated in our report are in conformity with the technical rules and standards,
- employs qualified supervisory and inspection personnel.

The company has the welding suitability for manufacturing pressure equipment according above mentioned standards.
Independently of this certificate the requirements of the respectively selected module have to be considered within the framework of manufacturing pressure equipment according to Pressure Equipment Directive 2014/68/EU.

Report no.: R-722282662-22
Valid until: September 30, 2025

Munich, October 7, 2022

EQ3232257

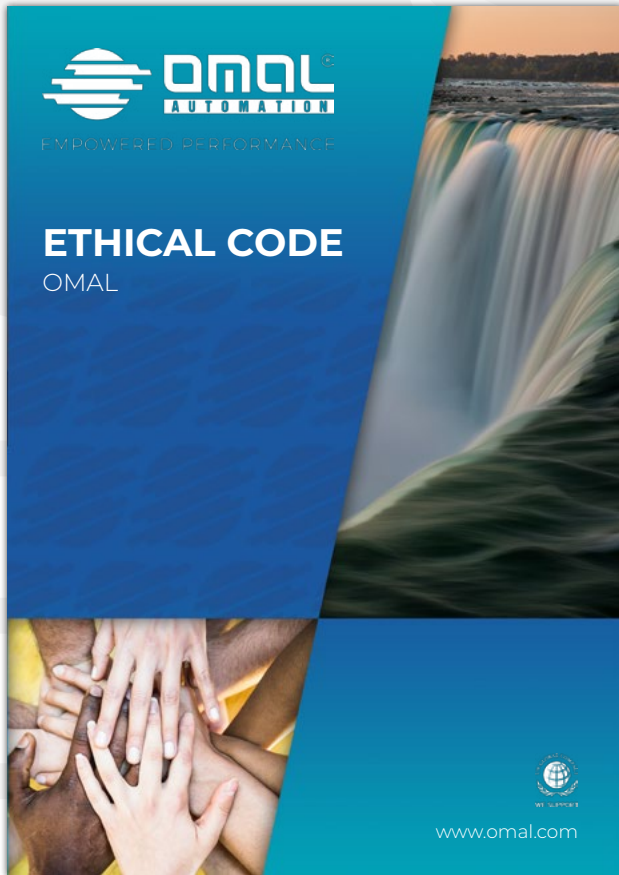
Certification Body
Material and Welding Technology

Matthias Strobel
Matthias Strobel

TÜV SÜD Industrie Service GmbH, Westendstr. 199, 80686 Munich, Germany



RESPONSABILITÀ SOCIALE SOCIAL RESPONSIBILITY



Certified



Corporation



WE SUPPORT



Sustainable & Ethical Procurement Category



Cross-Function & Team Procurement Category











1.

VALVOLE A SFERA ***BALL VALVES***



VALVOLE A SFERA · INDICE 1/3

Pag:

1.1	• MAGNUM & THOR	17	
1.1.1	• Tabella di codifica per MAGNUM e THOR	18	
	1.1.2	• MAGNUM Wafer	24
		• PN 16-40 ANSI 150-300	26
		• PN 16-40 ANSI 150-300 - acciaio al carbonio	30
		• PN 16-40 ANSI 150-300 - acciaio inox	40
	1.1.3	• MAGNUM Split Wafer	46
		• PN 16-40 ANSI 150-300	48
		• PN 16-40 ANSI 150-300 - acciaio al carbonio	52
		• PN 16-40 ANSI 150-300 - acciaio inox	62
		• PN 16-40 ANSI 150-300 acciaio inox da fusione	68
		• PN 63-100 ANSI 600	74
		• PN 63-100 ANSI 600 - acciaio al carbonio	78
		• PN 63-100 ANSI 600 - acciaio inox	88
	1.1.4	• MAGNUM Split Wafer 3 vie 4 guarnizioni	94
		• PN 16-40 ANSI 150	96
		• PN 16-40 ANSI 150 - acciaio al carbonio	98
		• PN 16-40 ANSI 150 - acciaio inox	105
	1.1.5	• THOR Split Body	110
		• PN 16-40 ANSI 150-300	112
		• PN 16-40 ANSI 150-300 - acciaio al carbonio	116
		• PN 16-40 ANSI 150-300 - acciaio inox	126
		• ANSI 150-300 acciaio inox da fusione	132
		• ANSI 150-300 passaggio ridotto	140
		• ANSI 150-300 passaggio ridotto - acciaio al carbonio	142
		• ANSI 150-300 passaggio ridotto - acciaio inox	147
		• PN 63-100 ANSI 600	152
		• PN 63-100 ANSI 600 - acciaio al carbonio	154
		• PN 63-100 ANSI 600 - acciaio inox	164
		• ANSI 600 passaggio ridotto	170
	• ANSI 600 passaggio ridotto - acciaio al carbonio	171	
	• ANSI 600 passaggio ridotto - acciaio inox	176	
	• ANSI 900-1500	182	
	• ANSI 900-1500 - acciaio al carbonio	186	
	• ANSI 900-1500 - acciaio inox	192	
	1.1.6	• THOR Split Body 3 vie 4 guarnizioni	196
		• PN 16-40 ANSI 150	198
		• PN 16-40 ANSI 150 - acciaio al carbonio	200
		• PN 16-40 ANSI 150 - acciaio inox	207
1.1.7	• Accessori MAGNUM e THOR	212	
1.1.8	• Certificati MAGNUM e THOR 	220	



BALL VALVES · INDEX 1/3

Pag:


	1.1	• MAGNUM & THOR	17
	1.1.1	• Codification table for MAGNUM and THOR	18
	1.1.2	• MAGNUM Wafer	24
		• PN 16-40 ANSI 150-300	26
		• PN 16-40 ANSI 150-300 - carbon steel	30
		• PN 16-40 ANSI 150-300 - stainless steel	40
	1.1.3	• MAGNUM Split Wafer	46
		• PN 16-40 ANSI 150-300	48
		• PN 16-40 ANSI 150-300 - carbon steel	52
		• PN 16-40 ANSI 150-300 - stainless steel	62
		• PN 16-40 ANSI 150-300 casting stainless steel	68
		• PN 63-100 ANSI 600	74
		• PN 63-100 ANSI 600 - carbon steel	78
		• PN 63-100 ANSI 600 - stainless steel	88
	1.1.4	• MAGNUM Split Wafer 3 way 4 seals	94
	• PN 16-40 ANSI 150	96	
	• PN 16-40 ANSI 150 - carbon steel	98	
	• PN 16-40 ANSI 150 - stainless steel	105	
	1.1.5	• THOR Split Body	110
		• PN 16-40 ANSI 150-300	112
		• PN 16-40 ANSI 150-300 - carbon steel	116
		• PN 16-40 ANSI 150-300 - stainless steel	126
		• ANSI 150-300 casting stainless steel	132
		• ANSI 150-300 reduced bore	140
		• ANSI 150-300 reduced bore - carbon steel	142
		• ANSI 150-300 reduced bore - stainless steel	147
		• PN 63-100 ANSI 600	152
		• PN 63-100 ANSI 600 - carbon steel	154
		• PN 63-100 ANSI 600 - stainless steel	164
		• ANSI 600 reduced bore	170
		• ANSI 600 reduced bore - carbon steel	171
		• ANSI 600 reduced bore - stainless steel	176
		• ANSI 900-1500	182
		• ANSI 900-1500 - carbon steel	186
		• ANSI 900-1500 - stainless steel	192
		1.1.6	• THOR Split Body 3 way 4 seals
	• PN 16-40 ANSI 150	198	
	• PN 16-40 ANSI 150 - carbon steel	200	
	• PN 16-40 ANSI 150 - stainless steel	207	
	1.1.7	• MAGNUM and THOR Accessories	212
	1.1.8	• MAGNUM and THOR Certificates	220




VALVOLE A SFERA · INDICE 2/3

Pag:




1.2	• PROCHEMIE 60	223
	• PROCHEMIE 60 SPLIT-BODY PN16-40 - acciaio inox	226
1.2.1	• Certificati PROCHEMIE 60 	240




1.3	• HERCULES	243
1.3.1	• HERCULES - Alta Ciclicità	244
	• HERCULES - Alta Ciclicità - acciaio al carbonio	246
	• HERCULES - Alta Ciclicità - acciaio inox	250
1.3.2	• HERCULES - Alta Ciclicità - Per Fluidi Non Auto-Lubrificanti	254
	• HERCULES - Fluidi Non Auto-Lubrificanti - acciaio al carbonio	256
	• HERCULES - Fluidi Non Auto-Lubrificanti - acciaio inox	260
1.3.3	• Certificati HERCULES 	264



1.4	• KRATOS	267
1.4.1	• Tabella di codifica per KRATOS	268
1.4.2	• KRATOS - Alta Ciclicità	274
	• KRATOS - Alta Ciclicità - acciaio al carbonio	276
	• KRATOS - Alta Ciclicità - acciaio inox	280
1.4.3	• KRATOS - Alta Ciclicità - Per Fluidi Non Auto-Lubrificanti	284
	• KRATOS - Fluidi Non Auto-Lubrificanti - acciaio al carbonio	286
	• KRATOS - Fluidi Non Auto-Lubrificanti - acciaio inox	290
1.4.4	• Certificati KRATOS 	300



1.5	• SUPREME - TRUNNION	303
	• DN ≤ 100 SIZE ≤ 4" – ANSI 150-300	304
	• DN ≤ 100 SIZE ≤ 4" – ANSI ≥ 600	306
	• DN ≥ 150 SIZE ≥ 6"	308
	• Taglie e Accessori SUPREME - TRUNNION	311
	• Componenti SUPREME - TRUNNION	313
	• Dimensioni valvole passaggio totale	316
	• Azionamenti disponibili	318
1.5.1	• Certificati SUPREME - TRUNNION 	320



BALL VALVES · INDEX 2/3

Pag:



1.2	• PROCHEMIE 60	223
	• PROCHEMIE 60 SPLIT-BODY PN16-40 - acciaio inox	226
1.2.1	• Certificati PROCHEMIE 60	240



1.3	• HERCULES	243
1.3.1	• HERCULES - High Cycle	244
	• HERCULES - High Cycle - carbon steel	246
	• HERCULES - High Cycle - stainless steel	250
1.3.2	• HERCULES - High Cycle - Non Self-Lubricating Media	254
	• HERCULES - Non Self-Lubricating Media - carbon steel	256
	• HERCULES - Non Self-Lubricating Media - stainless steel	260
1.3.3	• HERCULES Certificates	264



1.4	• KRATOS	267
1.4.1	• Codification table for KRATOS	268
1.4.2	• KRATOS - High Cycle	274
	• KRATOS - High Cycle - carbon steel	276
	• KRATOS - High Cycle - stainless steel	280
1.4.3	• KRATOS - High Cycle - Non Self-Lubricating Media	284
	• KRATOS - Non Self-Lubricating Media - carbon steel	286
	• KRATOS - Non Self-Lubricating Media - stainless steel	290
1.4.4	• KRATOS Certificates	300



1.5	• SUPREME - TRUNNION	303
	• DN ≤ 100 SIZE ≤ 4" - ANSI 150-300	304
	• DN ≤ 100 SIZE ≤ 4" - ANSI ≥ 600	306
	• DN ≥ 150 SIZE ≥ 6"	308
	• Sizes and Accessories SUPREME - TRUNNION	311
	• Components SUPREME - TRUNNION	313
	• Full bore valves - Dimensions	316
	• Available Drivers	318
1.5.1	• SUPREME - TRUNNION Certificates	320



VALVOLE A SFERA · INDICE 3/3

Pag:

	1.6	• ALTRE VALVOLE A SFERA	323
	1.6.1	• VALVOLE A SFERA IN OTTONE	
	1.6.1.1	• ITEM 100	324
	1.6.1.2	• ITEM 101	328
	1.6.1.3	• ITEM 113	332
	1.6.1.4	• ITEM 115	336
	1.6.1.5	• ITEM D122	340
	1.6.1.6	• ITEM 153	342
	1.6.1.7	• ITEM 160 - 161	346
	1.6.2	• VALVOLE A SFERA IN GHISA	
	1.6.2.1	• ITEM 216	350
	1.6.3	• VALVOLE A SFERA IN ACCIAIO INOX	
	1.6.3.1	• ITEM 400 - 401	354
	1.6.3.2	• ITEM 406	358
	1.6.3.3	• ITEM 420	362
	1.6.3.4	• ITEM 424	366
	1.6.3.5	• ITEM 434	370
	1.6.3.6	• ITEM 445	374
	1.6.3.7	• ITEM 448	378
	1.6.3.8	• ITEM 450 - 451	382
	1.6.3.9	• ITEM 460 - 461	386
	1.6.3.10	• ITEM 464 - 465	390
	1.6.4	• VALVOLE A SFERA IN ACCIAIO AL CARBONIO	
	1.6.4.1	• ITEM 541	394
	1.6.4.2	• ITEM 545	398
	1.6.5	• VALVOLE A SFERA IN PVC	
	1.6.5.1	• ITEM 615 - 616	402
	1.6.5.2	• ITEM 635 - 636 - 637 - 638	406
	1.6.6	• Certificati valvole a sfera 	410



BALL VALVES · INDEX 3/3

Pag:

	1.6	• OTHER BALL VALVES	323
	1.6.1	• BRASS BALL VALVES	
	1.6.1.1	• ITEM 100	324
	1.6.1.2	• ITEM 101	328
	1.6.1.3	• ITEM 113	332
	1.6.1.4	• ITEM 115	336
	1.6.1.5	• ITEM D122	340
	1.6.1.6	• ITEM 153	342
	1.6.1.7	• ITEM 160 - 161	346
	1.6.2	• CAST IRON BALL VALVES	
	1.6.2.1	• ITEM 216	350
	1.6.3	• STAINLESS STEEL BALL VALVES	
	1.6.3.1	• ITEM 400 - 401	354
	1.6.3.2	• ITEM 406	358
	1.6.3.3	• ITEM 420	362
	1.6.3.4	• ITEM 424	366
	1.6.3.5	• ITEM 434	370
	1.6.3.6	• ITEM 445	374
	1.6.3.7	• ITEM 448	378
	1.6.3.8	• ITEM 450 - 451	382
	1.6.3.9	• ITEM 460 - 461	386
	1.6.3.10	• ITEM 464 - 465	390
	1.6.4	• CARBON STEEL BALL VALVES	
	1.6.4.1	• ITEM 541	394
	1.6.4.2	• ITEM 545	398
	1.6.5	• PVC BALL VALVES	
	1.6.5.1	• ITEM 615 - 616	402
	1.6.5.2	• ITEM 635 - 636 - 637 - 638	406
	1.6.6	• Ball valves certificates 	410





1.1

MAGNUM & THOR



TABELLA DI CODIFICA PER MAGNUM E THOR

CODIFICATION TABLE FOR MAGNUM AND THOR

1° blocco: Tipologia della valvola *1st part: Valve's type*

V	M1	04	F	00
1°	2°-3°	4°-5°	6°	7°-8°

1° CIFRA: Tipo di azionamento 1° FIGURE: Drive Type	
D	Doppio effetto anodizzato <i>Double acting, anodized</i>
E	Elettrico ON-OFF <i>Electrical ON-OFF</i>
F	Doppio effetto verniciato <i>Double acting, painting</i>
G	Doppio effetto nichelato <i>Double acting, nickel plated</i>
I	Doppio effetto inox <i>Inox double acting</i>
J	Con Leva in 316 ss <i>With 316 ss lever</i>
K	Con Leva (INOX) <i>With lever (INOX)</i>
L	Con Leva (std) <i>With lever (std)</i>
M	Elettrico modulante <i>Electrical modulating</i>
R	Con riduttore <i>With gear box</i>
S	Semplice effetto anodizzato <i>Spring return, anodized</i>
T	Semplice effetto verniciato <i>Spring return, painting</i>
U	Semplice effetto nichelato <i>Spring return, nickel plated</i>
V	Valvola asse libero <i>Free shaft valve</i>
X	Semplice effetto inox <i>Inox spring return</i>

2° e 3° CIFRA: Famiglia di appartenenza 2° & 3° FIGURE: Valve's family	
M1	SERIE WAFER
M4	SERIE SPLIT WAFER
M5	SERIE SPLIT WAFER TRE VIE "L" <i>SPLIT WAFER 3 WAY "L" PORT</i>
M6	SERIE SPLIT WAFER TRE VIE "T" <i>SPLIT WAFER 3 WAY "T" PORT</i>
T1	SERIE SPLIT BODY
T2	SERIE SPLIT BODY TRE VIE "L" <i>SPLIT BODY 3 WAY "L" PORT</i>
T3	SERIE SPLIT BODY TRE VIE "T" <i>SPLIT BODY 3 WAY "T" PORT</i>

7° e 8° CIFRA: Normative attacchi 7° & 8° FIGURE: Connecting norms	
00	EN 1092-1 TYPE B1 (STD) PN METRICO <i>EN 1092-1 TYPE B1 (STD) PN METRIC</i>
01	ANSI filettate unc <i>Threaded UNC ANSI</i>
02	ANSI filettate metriche <i>Metric threaded ANSI</i>
03	Fori passanti <i>Through holes</i>
04	ANSI fori passanti <i>Passing through holes ANSI</i>
05	ANSI fori passanti <i>ANSI through holes RTJ ASME B16,5</i>
06	Flangiatura fondo reattore con tiranti UNC <i>Flange bottom tank with UNC stud bolt</i>
07	Finitura flangia <i>Flange finish RF 125 AARH</i>
08	Flangiatura fondo reattore con tiranti metrici <i>Flange bottom tank with metric stud bolt</i>
09	Finitura flangia <i>Flange finish FORM "C" DIN 2526</i>
0A	EN1092-1 TYPE A
0B	EN1092-1 TYPE B2
0C	EN1092-1 TYPE C
0D	EN1092-1 TYPE D
0E	EN1092-1 TYPE E
0F	EN1092-1 TYPE F
0G	EN1092-1 TYPE G
0H	EN1092-1 TYPE H
N6	Finitura flangia N6 (fori passanti Split Body, UNC Split Wafer) <i>Flange finish N6 (through holes Split Body, UNC Split Wafer)</i>

7° cifra: per valvole certificate EN14432, inserire la lettera "T"
7° figure: for valves certified EN14432, enter the letters "T"

6° CIFRA: Pressione nominale 6° FIGURE: Nominal pressure			
E	PN 16	N	PN63-100
F	PN 16-40	S	PN16-40 Sfera non contenuta <i>Protuding ball</i>
H	PN 25	1	ANSI 150
I	PN 25-40	2	ANSI 300
J	PN 40	4	ANSI 600
K	PN 63	5	ANSI 900
L	PN 100	9	ANSI 900-1500

4° e 5° CIFRA Misura della valvola 4° & 5° FIGURE: Valve's size			
04	DN 15	35	DN 20 Passaggio ridotto <i>Reduced bore</i>
05	DN 20	36	DN 25 Passaggio ridotto <i>Reduced bore</i>
06	DN 25	37	DN 32 Passaggio ridotto <i>Reduced bore</i>
07	DN 32	38	DN 40 Passaggio ridotto <i>Reduced bore</i>
08	DN 40	39	DN 50 Passaggio ridotto <i>Reduced bore</i>
09	DN 50	40	DN 65 Passaggio ridotto <i>Reduced bore</i>
10	DN 65	41	DN 80 Passaggio ridotto <i>Reduced bore</i>
11	DN 80	42	DN 100 Passaggio ridotto <i>Reduced bore</i>
12	DN 100	43	DN 125 Passaggio ridotto <i>Reduced bore</i>
13	DN 125	44	DN 150 Passaggio ridotto <i>Reduced bore</i>
14	DN 150	45	DN 200 Passaggio ridotto <i>Reduced bore</i>
15	DN 200	46	DN 250 Passaggio ridotto <i>Reduced bore</i>
		74	DN150x100 Doppio passaggio ridotto <i>Double reduced bore</i>



2° blocco: Materiali ferrosi 2nd part: Metallic parts

CA	B	0	B	0
9°-10°	11°	12°	13°	14°

9° -10° CIFRA: Materiale del corpo valvole 9° & 10° FIGURE: Body material	
AA	A182 F304 / A479 Tp.304 A182 F304L / A479 Tp.304L
AB	A182 F316 / A479 Tp.316 A182 F316L / A479 Tp.316L
AE	A351 CF8M
AF	A351 CF8
AG	A351 CF3M
AI	DUPLEX
AO	A182 F321 / A479 Tp.321
AP	A182 F321
AQ	A182 F316L
AS	A182 F316
CA	A105
CB	A350 LF2
CC	A216 WCB
IA	INCOLOY 825
IB	INCONEL 718
IC	INCONEL 625

11° CIFRA: Materiale della sfera 11° FIGURE: Ball material	
A	A351 CF8M
B	A351 CF8
D	DUPLEX
E	A182 F316 / A479 Tp.316 A182 F316L / A479 Tp.316L
F	Forata monodirezionale <i>Drilled monodirectional</i> A351 CF8
G	Forata monodirezionale <i>Drilled monodirectional</i> A351 CF8M
H	A105
I	A479 Tp.321
M	INCOLOY 825
N	Forata monodirezionale <i>Drilled monodirectional</i> A182 F316 / A479 Tp.316 A182 F316L / A479 Tp.316L
P	INCONEL 625

12° CIFRA: Trattamenti della sfera 12° FIGURE: Ball surface treatments	
O	Nessun trattamento <i>No treatment</i>
A	Nichelatura <i>Nickeled</i> ENP 25 micron
B	Nichelatura <i>Nickeled</i> ENP 50 micron
C	Nichelatura <i>Nickeled</i> ENP 75 micron
D	Cromatura <i>Hard chrome plated</i> 20-40 micron

14° CIFRA: Materiale della viteria 14° FIGURE: Bolting material codification	
O	Nessuna vite <i>No screw</i> (WAFER)
A	A2-70 (SPLIT WAFER)
B	8.8 zincate <i>galvanized</i> (SPLIT WAFER)
D	A193-B8 vite <i>screw</i> (SPLIT BODY)
E	A193-B8 / A194-GR.8 tirante+dado <i>bolt+nut</i> (SPLIT BODY)
F	A193-B7 vite <i>screw</i> (SPLIT BODY)
G	A193-B7 / A194-2H tirante+dado <i>bolt+nut</i> (SPLIT BODY)
H	A320-L7M vite <i>screw</i> (SPLIT BODY)
I	A320-L7M / A194-GR7M tirante+dado <i>bolt+nut</i> (SPLIT BODY)
L	A320-B8MA / A194-GR8MA (SPLIT BODY)
M	A193-B7M / A194-2HM (SPLIT BODY)
N	A320-B8MA (SPLIT BODY)
P	A193-B7M (SPLIT BODY)

13° CIFRA: Materiale dello stelo 13° FIGURE: Stem material	
A	17-4PH
B	F6A / 410
C	DUPLEX
D	17-4PH NACE
E	A479 Tp.316 - 316L
F	17-4PH con dado +rondella inox <i>17-4PH with nut + inox washer</i>
G	A479 Tp.321
I	INCONEL 718
L	INCONEL 625



3° blocco: Materiali delle tenute 3rd part: Seat materials

N	N	V
15°	16°	17°

15° CIFRA: Materiale della tenuta principale 15° FIGURE: Seat material	
E	PEEK SFERA + GRAFITE CORPO PEEK BALL + GRAFITE BODY
F	PEEK+25%C+10%PTFE+GRAFITE (CORPO) PEEK+25%C+10%PTFE+GRAFITE (BODY)
J	PTFE +15% Vetro PTFE +15% Glass
K	PTFE +25% C(SFERA)+GRAFITE (CORPO) PTFE +25% C(BALL)+GRAFITE (BODY)
M	DEVLON (SFERA) + GRAFITE (CORPO) DEVLON(BALL)+GRAFITE (BODY)
N	TFM1600
Q	TFM1600 (SFERA) + GRAFITE (CORPO) TFM1600 (BALL) + GRAFITE (BODY)
X	TFM1600 PER XILENE (SFERA) + GRAFITE (CORPO) TFM1600 FOR XILENE (BALL) + GRAFITE (BODY)

17° CIFRA: Materiale O-ring stelo 17° FIGURE: O-ring stem material	
A	FKM 90Sh. AED
K	KAFLON
V	FKM

16° CIFRA: Materiale della tenuta stelo 16° FIGURE: Stem seal material	
N	TFM1600
R	TFM (pacco a V)+DEVLON (anello) TFM (V pack)+DEVLON (ring)



4° blocco: Trattamenti 4th part: Surface treatments

0	0B
18°	19°-20°

18° CIFRA: Trattamento principale 18° FIGURE: Standard surface treatment	
0	Nessuna verniciatura <i>Without paint</i>
C	Camicia in acciaio Inox 304 <i>Steel jacket Steel 304</i>
D	Camicia in acciaio Inox 316 <i>Steel jacket Steel 316</i>
E	Camicia in acciaio al carbonio A105 <i>Steel jacket Carbon A105</i>
X	Valvola sgrassata <i>Degreased valve</i>

19°-20° CIFRA: Tipologia del trattamento 19°-20° FIGURE: Surface treatment type	
00	Nessuna verniciatura <i>Without paint</i>
0B	Brunito <i>Blueing</i>
0Z	Zincato <i>Galvanized</i>



5° blocco: Versione azionamenti ATTUATORI PNEUMATICI

5th part: PNEUMATIC ACTUATORS drives version

A	F	B	A	0
21°	22°	23°	24°	25°

21° CIFRA: Kit di connessione con l'azionamento 21° FIGURES: Bracket connection drives

A	Acciaio verniciatura STD Steel with standard painting
B	Acciaio verniciatura HT Steel with high temperature painting
C	Inox std
D	Inox HT
G	Prolunga inox doppia tenuta Stainless steel shaft extension with double seal
L	Valvola con leva lucchettabile Valve with locking lever
N	Valvola con leva "dead man" Valve with "dead man" lever
Q	Prolunga Inox con sniffer Steel extension with sniffer
X	Prolunga 100mm in CF8M Stem extension 100mm in CF8M

25° CIFRA: Altre esecuzioni speciali dell'azionamento 25° FIGURE: Actuator in special stroke executions

0	Nessuna opzione No options
1	Prolunga Extension L=100mm
2	Prolunga Extension L=200mm
A	Regolazione 10° 10° adjustment
B	Regolazione 30° 30° adjustment
C	Regolazione 60° 60° adjustment
D	Regolazione 90° 90° adjustment
J	Dosatore Two stage connector
K	Dosatore Two stage connector +100mm
M	STD a magazzino STD in warehouse

22° CIFRA: Famiglia di azionamento 22° FIGURE: Actuators group

E	Serie con volantino VERSIONE NEW Handwheel series NEW VERSION
F	DIN ISO 5211 VERSIONE NEW DIN ISO 5211 NEW VERSION
G	DIN ISO 5211 con riduttore standard VERSIONE NEW DIN ISO 5211 with standard gear box NEW VERSION
H	Inox microfuso Inox precision casting
I	Inox microfuso con riduttore Inox precision casting with gear box
K	Inox microfuso pistone rovesciato Inox precision casting - reversed piston
V	Serie con volantino VERSIONE NEW - PISTONI ROVESCIATI Handwheel series NEW VERSION - REVERSED PISTONS
W	DIN ISO 5211 pistoni rovesciati VERSIONE NEW DIN ISO 5211 reversed piston NEW VERSION
X	DIN ISO 5211 pistoni rovesciati + riduttore VERSIONE NEW DIN ISO 5211 reversed piston + gear box NEW VERSION
Y	Esecuzione speciale Special execution

24° CIFRA: Esecuzioni particolari dell'azionamento 24° FIGURE: Special executions drives

A	Esecuzione di serie Standard executions
H	Alta temperatura High temperature
L	Bassa temperatura Low temperature
M	Molle Springs 2,8 BAR (40 PSI)
N	Molle Springs 3,5 BAR (50 PSI)
P	Molle Springs 4,2 BAR (60 PSI)
R	Molle Springs 2,8 BAR (40 PSI) Alta temp. High temp
S	Molle Springs 3,5 BAR (50 PSI) Alta temp. High temp
T	Molle Springs 4,2 BAR (60 PSI) Alta temp. High temp
V	Molle Springs 2,8 BAR (40 PSI) Bassa temp. Low temp
W	Molle Springs 3,5 BAR (50 PSI) Bassa temp. Low temp
X	Molle Springs 4,2 BAR (60 PSI) Bassa temp. Low temp

23° CIFRA: Taglia di azionamento 23° FIGURES: Actuator size

A	DA 08	L	DN 100 - DAN480-SRN240
B	DN 32 - DAN15	M	DN 115 - DAN720-SRN360
C	DN 40 - DAN30-SRN15	N	DN 125 - DAN960-SRN480
D	DN 45 - DAN45	Q	DN 145 - DAN1440-SRN720
E	DN 50 - DAN60-SRN30	R	DN 160 - DAN1920-SRN960
G	DN 60 - DAN106-SRN53	S	DN 240 - DAN2880-SRN1440
H	DN 63 - DAN120-SRN60	V	DN 208 - DA3840-SR1920
I	DN 72 - DAN180-SRN90	W	DN 240 - DA5760-SR2880
J	DN 80 - DAN240-SRN120	X	DN 290 - DA8000-SR4000
K	DN 90 - DAN360-SRN180		

I dati nella tabella di codifica possono variare anche senza preavviso e, pertanto, non sono vincolanti ai fini della fornitura. The data in this codification table may be changed without notice and therefore they are not binding for the supplies.



5° blocco: Versione azionamenti ATTUATORI ELETTRICI

5th part: ELECTRIC ACTUATORS drives version

A	M	E	G	O
21°	22°	23°	24°	25°

21° CIFRA: Kit di connessione con l'azionamento 21° FIGURES: Bracket connection drives

A	Acciaio verniciatura std <i>Steel with standard painting</i>
B	Acciaio verniciatura HT <i>Steel with high temperature painting</i>
C	Inox std
D	Inox HT
G	Prolunga inox doppia tenuta <i>Stainless steel shaft extension with double seal</i>
L	Valvola con leva lucchettabile <i>Valve with locking lever</i>
N	Valvola con leva "dead man" <i>Valve with "dead man" lever</i>
Q	Prolunga Inox con sniffer <i>Steel extension with sniffer</i>
X	Prolunga 100mm in CF8M <i>Stem extension 100mm in CF8M</i>

25° CIFRA: Altre esecuzioni speciali dell'azionamento 25° FIGURE: Actuator in special stroke executions

0	Nessuna opzione <i>No option</i>
1	Prolunga <i>Extension L=100mm</i>
2	Prolunga <i>Extension L=200mm</i>
B	Connettori a vite (V0) <i>Electrical connection by screw (V0)</i>
C	Precablanti <i>Prewired 2mt (C2)</i>
D	Precablanti <i>Prewired 4mt (C4)</i>
E	Precablanti <i>Prewired 8mt (C8)</i>
F	Connettori a pipa (P0) <i>Pipe connections (P0)</i>

22° CIFRA: Tensione di alimentazione 22° FIGURE: Voltage supply

1	Prolunga <i>Extension L=100mm</i>
2	Prolunga <i>Extension L=200mm</i>
B	24 Vdc
J	24 Vac/dc
L	115 Vac
M	230 Vac
Y	Esecuzione speciale <i>Special execution</i>

24° CIFRA: Esecuzioni particolari dell'azionamento 24° FIGURES: Special executions drives

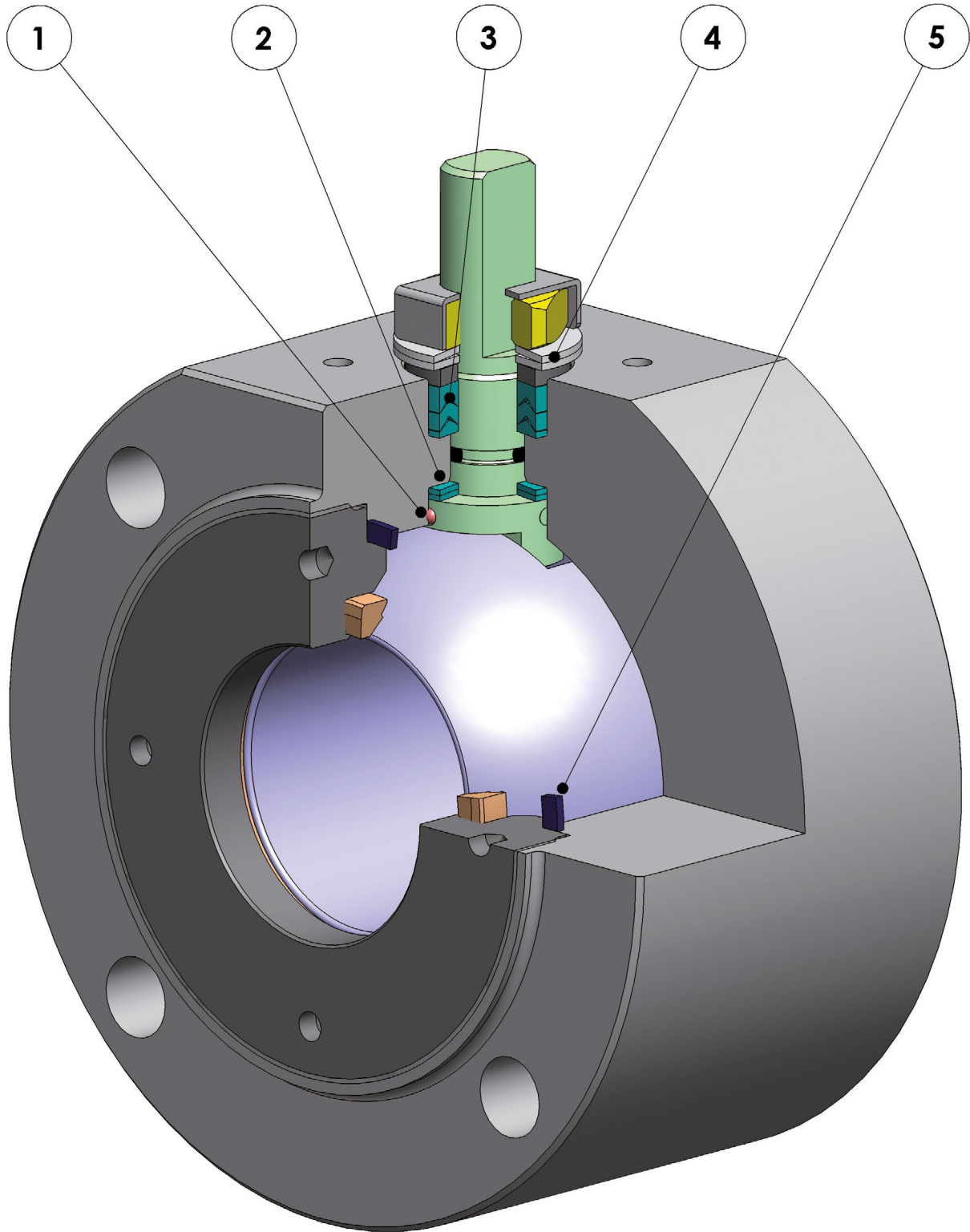
A	STD linea AE <i>AE line</i>
B	STD linea AE con riduttore <i>AE line with gear box</i>
C	STD linea AE+Kit alta temp. <i>AE line+bracket for high temp.</i>
G	STD linea EA <i>EA line (STD IP67)</i>
H	STD linea EA (STD IP67) + riduttore <i>EA line (STD IP67) + gear box</i>
I	STD linea EA (STD IP67) + kit alta temperatura <i>EA line (STD IP67) + bracket for high temperature</i>
L	Linea EA IP68 + riduttore <i>EA line IP68 + gear box</i>
M	Linea EA IP68 + kit alta temperatura <i>EA line IP68 + bracket for high temperature</i>
P	Linea EA IP68 <i>EA line IP68</i>

23° CIFRA: Coppia di azionamento in Nm 23° FIGURES: Torque drive

B	10 Nm
C	20 Nm
D	40 Nm
E	35 Nm
F	50 Nm
G	70 Nm
H	100 Nm
I	130 Nm
K	240 Nm
L	200 Nm
N	400 Nm
P	500 Nm
R	600 Nm
T	1000 Nm
V	1500 Nm
X	2000 Nm



MAGNUM WAFER



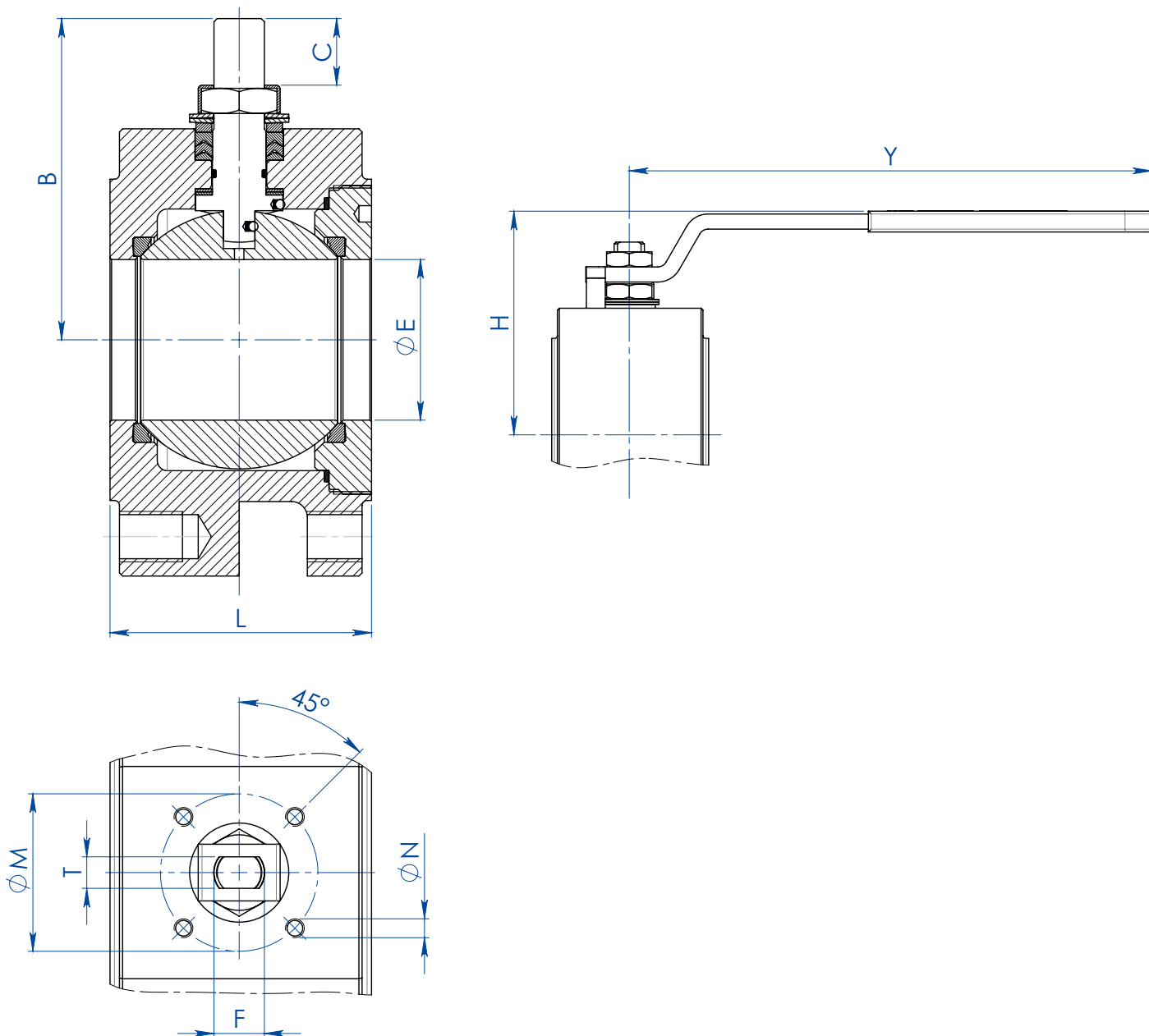


FEATURES & BENEFITS

1	Antistatic device (continuità elettrica tra sfera, stelo e corpo) <i>Antistatic device (electrical continuity between ball, stem and body)</i>	Si evitano cariche elettrostatiche che potrebbero essere causa d'innescio in ambienti infiammabili e/o esplosivi <i>Static electricity is avoided which can cause sparks and fire in an inflammable/explosive environment</i>
		Sicurezza garantita del contatto durante tutta la vita della valvola <i>Contact safety throughout the entire life of the valve</i>
2	Doppio anello antifrizione <i>Double antifriction washer</i>	Garantisce una minor coppia di azionamento della valvola <i>Less Breakaway Torque is granted</i>
		Minor usura rispetto all'esecuzione con singolo anello <i>Less wear comparing with the execution with the single washer</i>
3	Pacco guarnizioni a "V" con 3 guarnizioni più o-ring <i>"V" seals pack; 3 seals + o-ring</i>	Si garantisce una perfetta tenuta anche dopo un numero elevato di cicli <i>It ensures a perfect tightness even after a high number of cycles</i>
4	Molle a tazza sulla tenuta dello stelo <i>Spring washer on the shaft seal</i>	Garantiscono il recupero dei giochi dovuti all'usura causata dal movimento semirotoratorio dell'albero evitando perdite verso l'esterno <i>Guarantee of the recovery of the gap due to the wear caused by the rotational movement of the shaft avoiding leakage towards the outside part.</i>
		Consentono di mantenere energizzate le guarnizioni tipo "chevron" (a V), evitando perdite verso l'esterno, a fronte di notevoli escursioni termiche <i>Allow to maintain energized the "chevron" seals (V), thus avoiding any leakage to the outside, against huge temperature excursions</i>
5	Tenuta elasticizzata in grafite (a richiesta) <i>Stretch Graphite seal (on request)</i>	Garantisce una tenuta verso l'esterno indipendentemente dalle escursioni termiche a cui è sottoposta la valvola <i>Tightness towards outside is granted, independently by the thermal excursions to which the valve is subjected</i>
	Maggiore precisione nell'allineamento degli assi grazie alla lavorazione dal grezzo al finito con un unico posizionamento <i>Greater precision in the alignment of axes due to a unique positioning in the process machining from raw material to finished valve</i>	Maggior vita della valvola stessa <i>Longer lifetime of the valve</i>
		Minor coppia di azionamento <i>Less breakaway torque</i>
	Corpo valvola in acciaio al carbonio realizzato con materiale normalizzato certificato NACE in esecuzione standard <i>Valve body in carbon steel made with NACE certified material as standard</i>	Garantisce una maggior resistenza alla corrosione <i>Greater corrosion resistance</i>
		Maggior duttilità del materiale <i>Greater ductility of the material</i>
	Processo produttivo interamente eseguito in OMAL <i>100% in-house manufacturing process technology</i>	Massimo controllo in tutte le fasi di lavorazione <i>Maximum control and accuracy in all the stages of the manufacturing process</i>
		Possibilità di fornire rapidamente esecuzioni speciali richieste dal cliente <i>Flexibility in supply quickly special executions requested by customers</i>
	Certificato "Fire Safe" <i>"Fire safe" Certificate</i>	Garantisce la tenuta della valvola anche in caso di incendio <i>Guarantees the tightness of the valve also in case of fire</i>
	Certificato ATEX <i>ATEX Certificate</i>	Ne consente l'installazione in presenza di ambiente potenzialmente esplosivo <i>Installation is possible in a potential explosive environment</i>
	Certificazione "TA LUFT fugitive emission" <i>TA LUFT fugitive emission Certificate</i>	Garantisce un elevato grado di sicurezza della tenuta stelo verso l'esterno <i>High level of safety of the tightness towards the outside is granted</i>
	Certificato PED <i>PED Certificate</i>	Piena conformità alle norme di sicurezza europee per i dispositivi in pressione <i>Full compliance with European Safety Standards for Pressure Equipment</i>
	Certificato fino a SIL 3 <i>UP to SIL 3 certified</i>	Elevato livello di sicurezza funzionale <i>Guarantee of the high level of functional safety</i>



MAGNUM WAFER PN 16-40 ANSI 150-300

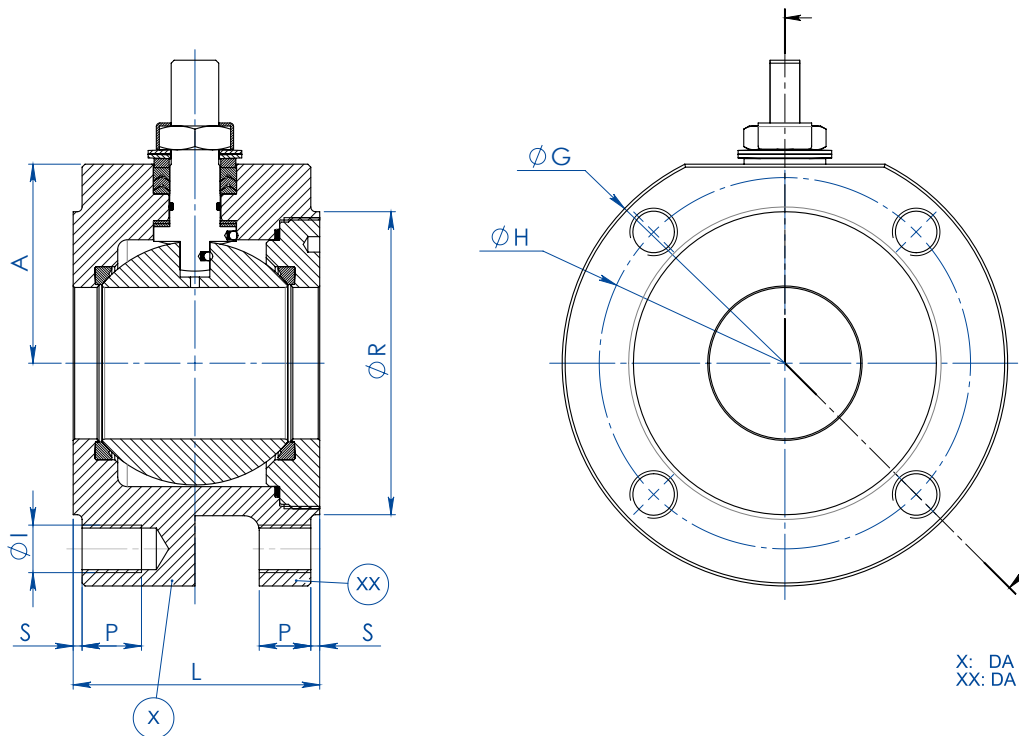


MISURA SIZE		DIMENSIONI DIMENSIONS										
DN [mm]	[inch]	ØE	L	B	C	ATT.ISO	ØM	ØN	F/T	H	Y	KIT LEVA LEVER KIT
DN 15	1/2"	13	36	52	10	F03	36	M5	10/6	71	140	KLV58004
DN 20	3/4"	19	39	55	10	F03	36	M5	10/6	73	140	KLV58004
DN 25	1"	25	43	68	15	F04	42	M5	12/8	87	150	KLV58006
DN 32	1" 1/4	32	51 o 54	73	15	F04	42	M5	12/8	91	150	KLV58006
DN 40	1" 1/2	38	63	93	21	F05	50	M6	16/10	108	275	KLV58008
DN 50	2"	51	83	102	21	F05	50	M6	16/10	118	275	KLV58008
DN 65	2" 1/2	64	107	130,5	28	F07	70	M8	22/14	143	350	KLV58010
DN 80	3"	76	120	137,5	28	F07	70	M8	22/14	150	350	KLV58010
DN 100	4"	95	152	166	35	F10	102	M10	30/18	192	450	KLV58012

TUTTE LE VALVOLE SONO A SFERA CONTENUTA TRANNE LA DN32 CON FACE TO FACE 51 mm
 ALL VALVES HAVE NO PROTRUDING BALL EXCEPT DN32 (FACE TO FACE 51 mm)



MAGNUM WAFER PN 16-40 ANSI 150-300



X: DA BARRA (BAR STOCK EXECUTION)
XX: DA FUSIONE (CASTING EXECUTION)

MISURA SIZE		DIMENSIONI DIMENSIONS -PN-												
DN [mm]	[inch]	PN	A	ØG	ØR	S	ØH	N° FORI HOLES N°	ØI	P	L	Kg. (X)	Kg. (XX)	KIT GUARNIZIONI SEALS KIT
DN 15	1/2"	PN 16-40	32	90	45	1	65	4	M12	14	36	1,4	-	KGBV480040
DN 20	3/4"	PN 16-40	35	100	58	2	75	4	M12	14	39	1,8	-	KGBV480050
DN 25	1"	PN 16-40	42	110	68	2	85	4	M12	16	43	2,5	-	KGBV480060
DN 32	1" 1/4	PN 16-40	47	130	78	2	100	4	M16	20	51*	4,0	-	KGBV480070
DN 32	1" 1/4	PN 16-40	47	130	78	2	100	4	M16	20	54	4,3	-	KGBV480070
DN 40	1" 1/2	PN 16-40	58	140	88	3	110	4	M16	20	63	5,9	-	KGBV480080
DN 50	2"	PN 16-40	67	150	102	3	125	4	M16	20	83	8,9	6,3	KGBV480090
DN 65	2" 1/2	PN16	83	178	122	3	145	4	M16	20	107	16,2	9,7	KGBV480100
DN 65	2" 1/2	PN 25-40	83	178	122	3	145	8	M16	20	107	16,1	-	KGBV480100
DN80	3"	PN 16-40	90	190	138	3	160	8	M16	20	120	20,0	12,5	KGBV480110
DN 100	4"	PN16	101	220	160	3	180	8	M16	20	152	34,0	20,3	KGBV480120
DN 100	4"	PN 25-40	105	235	162	3	190	8	M20	25	152	39,1	-	KGBV480120

MISURA SIZE		DIMENSIONI DIMENSIONS -ANSI-												
DN [mm]	[inch]	ANSI	A	ØG	ØR	S	ØH	N° FORI HOLES N°	ØI	P	L	Kg. (X)	KIT GUARNIZIONI SEALS KIT	
DN 15	1/2"	ANSI 150	32	90	45	1	60,5	4	1/2"UNC	14	36	1,4	KGBV480040	
DN 15	1/2"	ANSI 300	34	90	45	1	66,5	4	1/2"UNC	14	36	1,4	KGBV480040	
DN 20	3/4"	ANSI 150	35	100	52	1,6	69,8	4	1/2"UNC	14	39	1,8	KGBV480050	
DN 20	3/4"	ANSI 300	40	110	52	1,6	82,6	4	5/8"UNC	15	39	2,1	KGBV480050	
DN 25	1"	ANSI 150	42	110	60	1,6	79,2	4	1/2"UNC	16	43	2,5	KGBV480060	
DN 25	1"	ANSI 300	45	118	60	1,6	88,9	4	5/8"UNC	16	43	2,9	KGBV480060	
DN 32	1" 1/4	ANSI 150	47	118	72	1,6	88,9	4	1/2"UNC	20	54	3,8	KGBV480070	
DN 32	1" 1/4	ANSI 300	47	130	72	1,6	98,6	4	5/8"UNC	20	54	4,3	KGBV480070	
DN 40	1" 1/2	ANSI 150	58	127	82	1,6	98,6	4	1/2"UNC	20	63	5,1	KGBV480080	
DN 40	1" 1/2	ANSI 300	58	150	82	1,6	114,3	4	3/4"UNC	25	63	7,0	KGBV480080	
DN 50	2"	ANSI 150	67	150	102	1,6	120,6	4	5/8"UNC	20	83	9,1	KGBV480090	
DN 50	2"	ANSI 300	73	160	102	1,6	127,0	8	5/8"UNC	20	83	10,4	KGBV480090	
DN 65	2" 1/2	ANSI 150	83	178	122	1,6	139,7	4	5/8"UNC	20	107	16,4	KGBV480100	
DN 65	2" 1/2	ANSI 300	89	190	122	1,6	149,4	8	3/4"UNC	25	107	18,6	KGBV480100	
DN 80	3"	ANSI 150	90	190	135	1,6	152,4	4	5/8"UNC	20	120	20,4	KGBV480110	
DN 80	3"	ANSI 300	96	205	138	1,6	168,1	8	3/4"UNC	25	120	24,0	KGBV480110	
DN 100	4"	ANSI 150	101	220	160	1,6	190,5	8	5/8"UNC	20	152	34,0	KGBV480120	
DN 100	4"	ANSI 300	115	250	160	1,6	200,2	8	3/4"UNC	25	152	46,4	KGBV480120	

*Sfera non contenuta Protruding ball



MAGNUM WAFER PN 16-40 ANSI 150-300

DIAGRAMMA PRESSIONE/TEMPERATURA PER VALVOLE CON CORPO IN ACCIAIO AL CARBONIO TEMPERATURE/PRESSURE DIAGRAM FOR CARBON STEEL VALVE

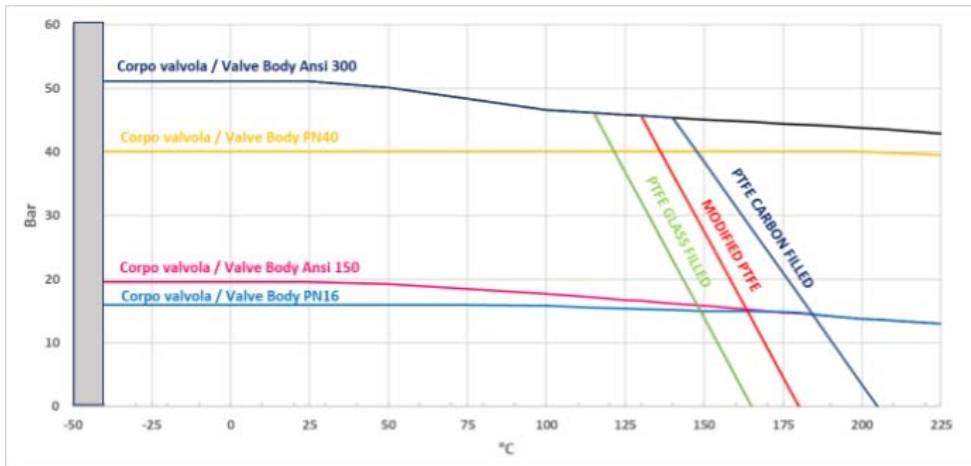


DIAGRAMMA PRESSIONE/TEMPERATURA PER VALVOLE CON CORPO IN ACCIAIO INOX TEMPERATURE/PRESSURE DIAGRAM FOR STAINLESS STEEL VALVE

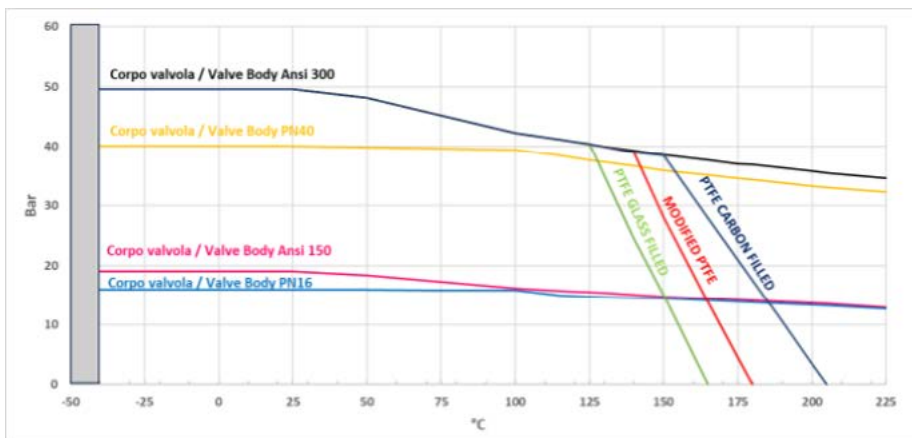
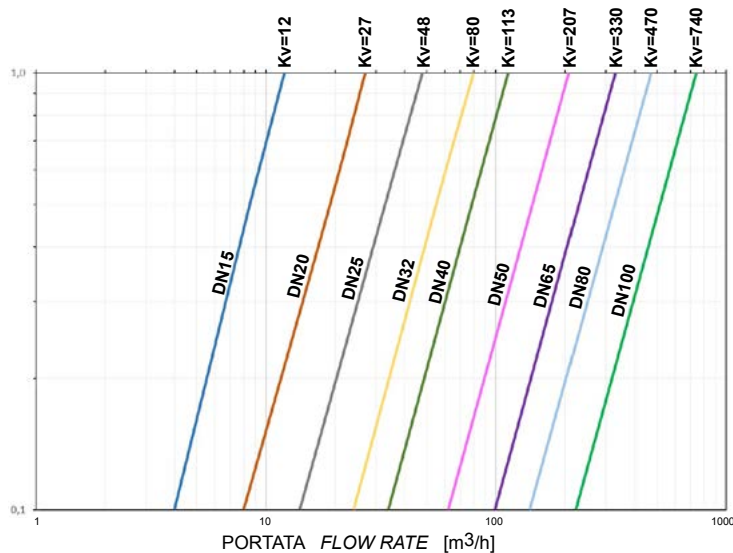


DIAGRAMMA PORTATA/PERDITA DI CARICO E COEFFICIENTE NOMINALE Kv FLOW/PRESSURE LOSS DIAGRAM AND Kv NOMINAL COEFFICIENT



Il valore Kv è il valore di portata in m³/h (con acqua a 15°C) che provoca la caduta di pressione di 1 bar.

Kv is the coefficient, expressed in m³/h (with water at 15°C) causing a pressure loss of 1 bar.



MAGNUM WAFER PN 16-40 ANSI 150-300

COPPIE DI SPUNTO IN Nm CON SEGGIO IN TFM 1600 E CON FLUIDO INTERCETTATO ACQUA (*) BREAKAWAY TORQUE IN Nm WITH TFM 1600 SEAT AND WATER INTERCEPTED FLUID (*)

MISURA SIZE	DN 15	DN 20	DN 25	DN 32	DN 40	DN 50	DN 65	DN 80	DN 100
0 bar									
PN16 bar	8	13	18	27	37	61	80	120	215
PN25 bar	9,5	15	20	29	40	67	95	130	230
PN40 bar	11	17	21	31	41	75	110	165	280
Ansi 150-20 bar	9	14	19	28	38	65	90	128	220
Ansi 300-50 bar	12	19	21	32	42	80	120	170	290

(*): qualora si intercettino fluidi sgrassanti e/o contenenti particolato solido le coppie di manovra possono risultare maggiorate rispetto a quanto riportato in tabella.

(*): *If not lubricated fluids and/or fluids containing solid particles are intercepted, torques could be higher than those in the table.*

I valori della coppia in Nm possono variare in funzione della temperatura e del fluido. Considerare un fattore di sicurezza pari a 1.4. Con frequenti cicli di apertura e chiusura la coppia di manovra può diminuire sensibilmente rispetto a quella iniziale.

Torque can vary depending on temperature and type of fluid, a safety factor 1.4 must be applied. Torque can drop on high frequency of operation.

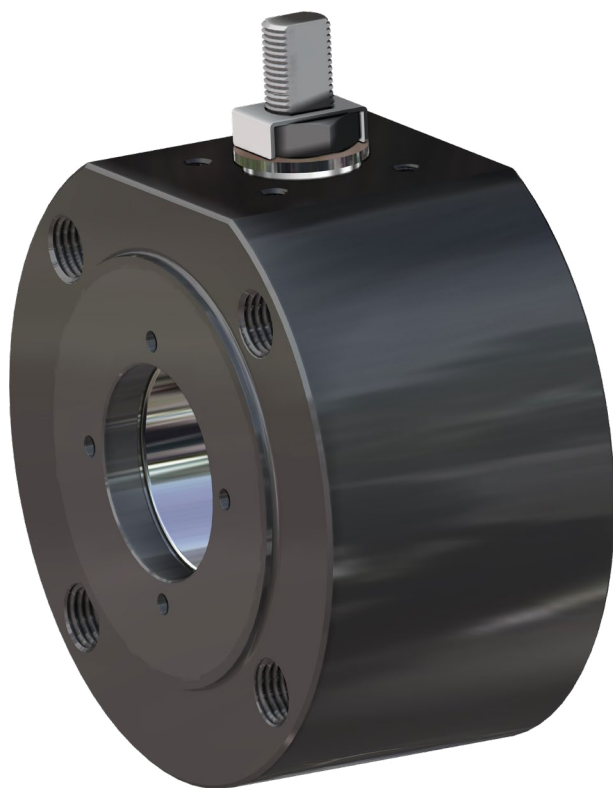
Il dimensionamento degli attuatori pneumatici è stato fatto considerando una pressione minima di alimentazione pari a 5,6 barg.

The sizing of pneumatic actuators has been done considering a minimum supply pressure of 5,6 barg.



MAGNUM WAFER PN 16-40 ANSI 150-300

ACCIAIO AL CARBONIO CARBON STEEL



ESECUZIONE STANDARD

- Sfera flottante contenuta, passaggio totale.
- Tenuta soft-seat PTFE Modificato.
- Norme per flange d'attacco EN 1092-1; ASME B16.5.
- Temperature di utilizzo vedi diagramma pressione temperatura.
- Classe di pressione: PN16-40; ANSI 150-300.
- Classe di tenuta: EN12266-1 rate A.
- Fluido intercettato: aria, acqua, gas, prodotti petroliferi e petrolchimici.
- Antistatic device EN12266-2.
- Tenuta stelo: pacco a V di serie in PTFE Modificato.
- Tenuta addizionale su stelo con O-ring FKM.
- Stelo anti Blow-out.
- Foratura piano per attuatore a norma ISO 5211.
- Angolo di chiusura >7°.
- Trattamento superficiale brunitura.

STANDARD FEATURES

- No protruding floating ball, full bore.
- Soft-seat seal Modified PTFE.
- Standard for connecting flanges: EN 1092-1; ASME B16.5.
- Operating temperature see temperature pressure diagram.
- Pressure Class: PN16-40; ANSI 150-300.
- Tightness Class: EN12266-1 rate A.
- Intercepted fluid: air, water, gas, petroleum and petrochemical products.
- Antistatic device EN12266-2.
- Stem seal: Modified PTFE V-pack.
- Additional seal on stem with FKM O-ring.
- Anti Blow-out stem.
- Actuator connection as per standard ISO 5211.
- Closing angle >7°.
- Superficial treatment: blueing.

ESECUZIONI A RICHIESTA

- Esecuzione per temperatura -40 C° in LF2, per altri tipi di flangiature contattare il nostro ufficio commerciale.
- Camicia di riscaldamento.
- Guarnizioni di tenuta in: PTFE caricato vetro (PTFE-GF), PTFE caricato carbografite (PTFE-CF). Per altri tipi di materiale contattare il nostro ufficio commerciale.
- Esecuzione monodirezionale con foro di compensazione della pressione nella sfera.
- Leva inox; dadi e molle stelo inox. Per esecuzioni con materiali (corpo/ sfera/stelo) diversi dallo standard contattare il nostro ufficio commerciale.
- Trattamento superficiale: zincatura bianca, verniciatura epossidica, (per altri trattamenti contattare il nostro ufficio commerciale).
- Marcatura e certificato ATEX A RICHIESTA.

FEATURES ON REQUEST

- LF2 carbon steel for low temperature execution (-40 C°).
- For other flange types please contact our sales department.
- Heating jacket.
- Sealing in: PTFE reinforced with glass (PTFE-GF), PTFE reinforced with carbon-graphite (PTFE-CF). For other types of materials please contact our sales department.
- Mono-directional version with pressure-relief hole in the ball.
- Stainless steel lever. For versions in materials different from the standard (body, ball, stem), please contact our sales department.
- Stainless steel Stem nuts and springs.
- Superficial treatment: white zinc coating, epoxy coating (for other coating please contact our sales department).
- ATEX marking and certificate ON REQUEST.

CERTIFICAZIONI

- Conforme alla Direttiva Europea 2014/68/EU PED.
- Fugitive Emission ISO 15848 (ISO FE BH-C03-SSA 0).
- TA-LUFT VDI 2440.
- FIRE SAFE: ISO 10497 Third ed. 2010 / API 607 Sixth ed. 2010.
- Livello di sicurezza funzionale fino a SIL 3 in accordo a IEC 61508.
- Conforme alla Direttiva Europea 2014/34/EU ATEX (certificato ATEX A RICHIESTA).

CERTIFICATIONS

- In compliance with European Directive 2014/68/EU PED.
- Fugitive Emission ISO 15848 (ISO FE BH-C03-SSA 0).
- TA-LUFT VDI 2440.
- FIRE SAFE: ISO 10497 Third ed. 2010 / API 607 Sixth ed. 2010.
- Safety integrity level up to SIL 3 according to IEC 61508.
- In compliance with ATEX 2014/34/EU European Directive (ATEX certificate ON REQUEST).

NORME DI PROGETTAZIONE

- Spessori corpo in accordo a: ASME B16.34, ASME VIII div.1, EN 12516.
- Materiali e rating in accordo ad ASME B16.34 per valvole ANSI ed EN 12516 per valvole PN.

ENGINEERING STANDARDS

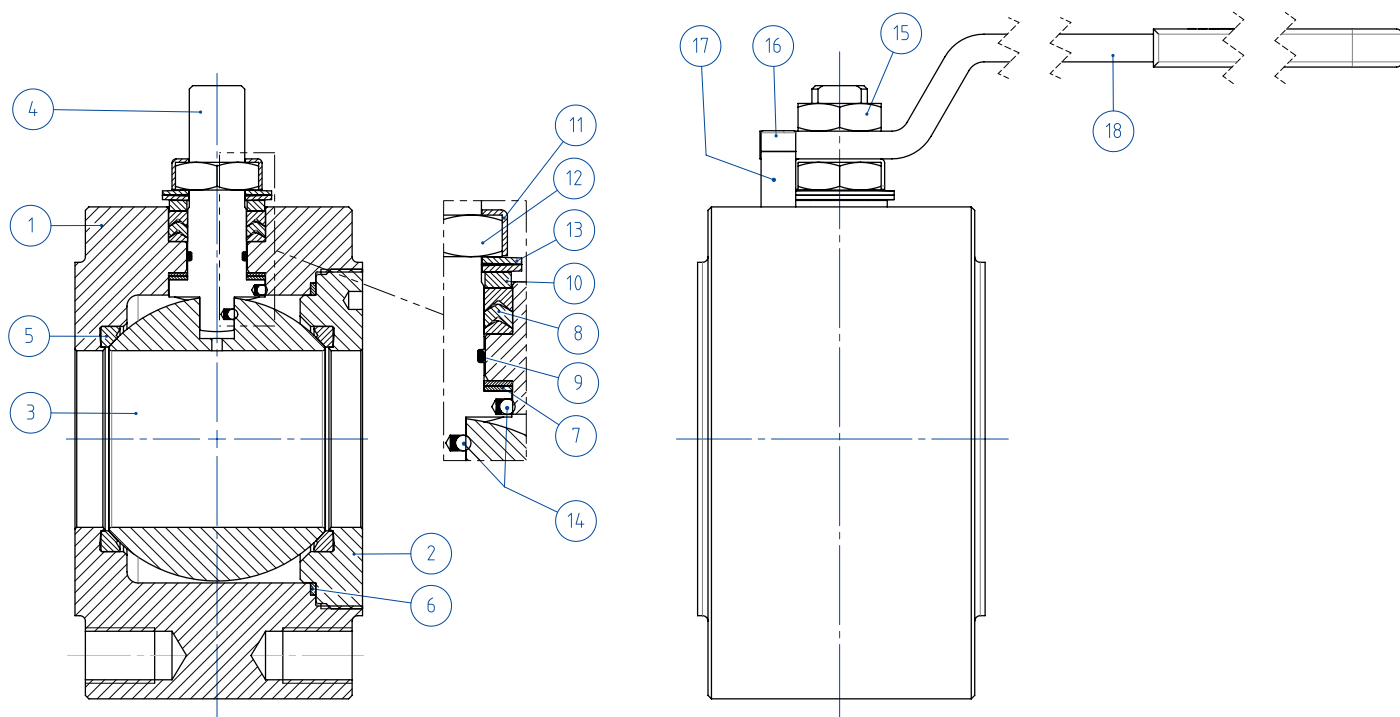
- Body thickness in compliance with: ASME B16.34, ASME VIII div.1, EN 12516.
- Materials and rating in compliance with ASME B16.34 for ANSI valves and EN 12516 for PN valves.



MAGNUM WAFER - PN 16-40 ANSI 150-300

ACCIAIO AL CARBONIO CARBON STEEL

TABELLA DEI MATERIALI MATERIALS TABLE



MATERIALI MATERIALS

MAGNUM WAFER PN16-40 ANSI 150-300

ACCIAIO AL CARBONIO CARBON STEEL DA BARRA FROM BAR

N°	Descrizione Description	A105 Carbon steel	A350 LF2 Carbon steel
1	Corpo Body		
2	Ghiera Ring nut	ASTM A105	ASTM A350 LF2
3	Sfera Ball		ASTM A351 CF8(*) (1.4308/Gx5CrNi19-10)
4	Stelo Stem		ASTM A182F6A/A479 Tp.410 (**)
5*	Seggio Seat		PTFE Modificato modified PTFE (.)
6*	Guarnizione corpo ghiera Body-Ring nut gasket		PTFE Modificato modified PTFE (.)
7*	Tenuta inferiore stelo Stem lower sealing		PTFE Modificato modified PTFE (.)
8*	Pacco a V Chevron rings		PTFE Modificato modified PTFE (.)
9*	O-ring stelo Stem o-ring		FKM (.)
10	Anello premi guarnizione Packing gland ring		Acciaio al carbonio zincato Carbon steel galvanized (x)
11	Piastra blocca dado Stop nut plate		304 S.S.
12	Dado stelo Stem nut		Acciaio al carbonio zincato Carbon steel galvanized (x)
13	Molle a tazza Springs washer		Acciaio al carbonio zincato Carbon steel galvanized (x)
14	Dispositivo antistatico Antistatic device		316 S.S.
15	Controdado Lock nut		Acciaio al carbonio zincato Carbon steel galvanized (x)
16	Vite di fermo Holder screw		A2-70 (304 S.S.)
17	Fermo di posizione Holder screw		Acciaio al carbonio zincato Carbon steel galvanized (x)
18	Leva Lever		Fe37 zincato - Galvanized (x)

* Componenti del kit di guarnizioni Components of seals kit

A richiesta disponibile in: Available on request:

(*): A351 CF8M

(**): A564 TP.630 (17-4PH)

(x): 304 s.s.

(xx): 301 s.s.

(.): Altri materiali disponibili a richiesta Other materials available on request



MAGNUM WAFER - PN 16-40 ANSI 150-300
ACCIAIO AL CARBONIO CARBON STEEL
ASSE LIBERO E CON LEVA FREE SHAFT AND WITH LEVER



**CODICI VALVOLE ASSE LIBERO (V_) E CON LEVA (L_) IN ACCIAIO AL CARBONIO -PN-
 CARBON STEEL BARE SHAFT (V_) AND LEVER (L_) OPERATED VALVE CODE -PN-**

MISURA SIZE		PN	A105 Carbon steel		LF2 Carbon steel	
DN [mm]	SIZE [inch]					
DN 15	1/2"	PN 16-40	V/LM104F00CAB0B0NNV00B	V/LM104F00CBB0B0NNV00B		
DN 20	3/4"	PN 16-40	V/LM105F00CAB0B0NNV00B	V/LM105F00CBB0B0NNV00B		
DN 25	1"	PN 16-40	V/LM106F00CAB0B0NNV00B	V/LM106F00CBB0B0NNV00B		
DN 32	1" 1/4	PN 16-40	V/LM107F00CAB0B0NNV00B	V/LM107F00CBB0B0NNV00B		
DN 32	1" 1/4	PN 16-40	V/LM107S00CAB0B0NNV00B*	V/LM107S00CBB0B0NNV00B*		
DN 40	1" 1/2	PN 16-40	V/LM108F00CAB0B0NNV00B	V/LM108F00CBB0B0NNV00B		
DN 50	2"	PN 16-40	V/LM109F00CAB0B0NNV00B	V/LM109F00CBB0B0NNV00B		
DN 65	2" 1/2	PN16	V/LM110E00CAB0B0NNV00B	V/LM110E00CBB0B0NNV00B		
DN 65	2" 1/2	PN 25-40	V/LM110I00CAB0B0NNV00B	V/LM110I00CBB0B0NNV00B		
DN 80	3"	PN 16-40	V/LM111F00CAB0B0NNV00B	V/LM111F00CBB0B0NNV00B		
DN 100	4"	PN16	V/LM112E00CAB0B0NNV00B	V/LM112E00CBB0B0NNV00B		
DN 100	4"	PN 25-40	V/LM112I00CAB0B0NNV00B	V/LM112I00CBB0B0NNV00B		

**CODICI VALVOLE ASSE LIBERO (V_) E CON LEVA (L_) IN ACCIAIO AL CARBONIO -ANSI-
 CARBON STEEL BARE SHAFT (V_) AND LEVER (L_) OPERATED VALVE CODE -ANSI-**

MISURA SIZE		ANSI	A105 Carbon steel		LF2 Carbon steel	
DN [mm]	SIZE [inch]					
DN 15	1/2"	ANSI 150	V/LM104101CAB0B0NNV00B	V/LM104101CBB0B0NNV00B		
DN 15	1/2"	ANSI 300	V/LM104201CAB0B0NNV00B	V/LM104201CBB0B0NNV00B		
DN 20	3/4"	ANSI 150	V/LM105101CAB0B0NNV00B	V/LM105101CBB0B0NNV00B		
DN 20	3/4"	ANSI 300	V/LM105201CAB0B0NNV00B	V/LM105201CBB0B0NNV00B		
DN 25	1"	ANSI 150	V/LM106101CAB0B0NNV00B	V/LM106101CBB0B0NNV00B		
DN 25	1"	ANSI 300	V/LM106201CAB0B0NNV00B	V/LM106201CBB0B0NNV00B		
DN 32	1" 1/4	ANSI 150	V/LM107101CAB0B0NNV00B	V/LM107101CBB0B0NNV00B		
DN 32	1" 1/4	ANSI 300	V/LM107201CAB0B0NNV00B	V/LM107201CBB0B0NNV00B		
DN 40	1" 1/2	ANSI 150	V/LM108101CAB0B0NNV00B	V/LM108101CBB0B0NNV00B		
DN 40	1" 1/2	ANSI 300	V/LM108201CAB0B0NNV00B	V/LM108201CBB0B0NNV00B		
DN 50	2"	ANSI 150	V/LM109101CAB0B0NNV00B	V/LM109101CBB0B0NNV00B		
DN 50	2"	ANSI 300	V/LM109201CAB0B0NNV00B	V/LM109201CBB0B0NNV00B		
DN 65	2" 1/2	ANSI 150	V/LM110101CAB0B0NNV00B	V/LM110101CBB0B0NNV00B		
DN 65	2" 1/2	ANSI 300	V/LM110201CAB0B0NNV00B	V/LM110201CBB0B0NNV00B		
DN 80	3"	ANSI 150	V/LM111101CAB0B0NNV00B	V/LM111101CBB0B0NNV00B		
DN 80	3"	ANSI 300	V/LM111201CAB0B0NNV00B	V/LM111201CBB0B0NNV00B		
DN 100	4"	ANSI 150	V/LM112101CAB0B0NNV00B	V/LM112101CBB0B0NNV00B		
DN 100	4"	ANSI 300	V/LM112201CAB0B0NNV00B	V/LM112201CBB0B0NNV00B		

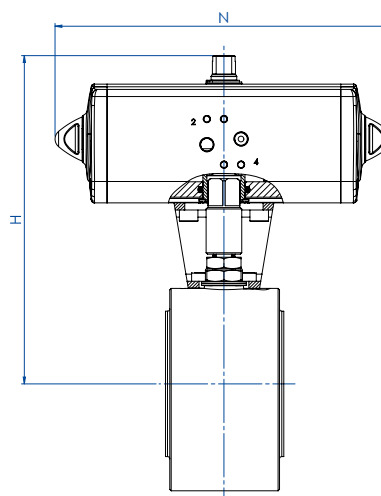
*Sfera non contenuta Protruding ball



MAGNUM WAFER - PN 16-40

ACCIAIO AL CARBONIO CARBON STEEL

CON ATTUATORE PNEUMATICO DA WITH DA PNEUMATIC ACTUATOR



CODICI ARTICOLI IN A105 ACCIAIO AL CARBONIO ITEM CODES IN A105 CARBON STEEL

MISURA DN [mm]	SIZE [inch]	PN	CODICE ARTICOLO ITEM CODE	ATTUATORE ACTUATOR	KIT di montaggio Mounting KIT	N [mm]	H [mm]	Peso Kg Weight Kg
DN 15	1/2"	PN 16	DM104E00CAB0B0NNV00BAFBA0	DAN0015411S	KCNAHD5312	159,0	154,2	2,5
DN 15	1/2"	PN 25-40	DM104I00CAB0B0NNV00BAFCA0	DAN0030411S	KCNAHD5312	174,2	161,2	2,8
DN 20	3/4"	PN 16-40	DM105F00CAB0B0NNV00BAFCA0	DAN0030411S	KCNAHD5312	174,2	164,2	3,2
DN 25	1"	PN 16-40	DM106F00CAB0B0NNV00BAFCA0	DAN0030411S	KCNBCHD5315	174,2	181,2	4,1
DN 32	1" 1/4	PN 16-40	DM107F00CAB0B0NNV00BAFDA0	DAN0045412S	KCNBCHD5315	188,5	191,5	6,1
DN 32	1" 1/4	PN 16-40	DM107S00CAB0B0NNV00BAFDA0 *	DAN0045412S	KCNBCHD5315	188,5	191,5	5,8
DN 40	1" 1/2	PN 16-40	DM108F00CAB0B0NNV00BAFEA0	DAN0060412S	KCNCCHD5316	198,0	208,4	8,2
DN 50	2"	PN 16	DM109E00CAB0B0NNV00BAFGA0	DAN0106411S	KCNCCHD5317	237,0	230,3	12,2
DN 50	2"	PN 25-40	DM109I00CAB0B0NNV00BAFHA0	DAN0120411S	KCNCCHD5317	244,1	234,0	12,3
DN 65	2" 1/2	PN 16	DM110E00CAB0B0NNV00BAFHA0	DAN0120411S	KCNDDHD5318	244,1	250,0	19,7
DN 65	2" 1/2	PN 25-40	DM110I00CAB0B0NNV00BAFIA0	DAN0180411S	KCNDDHD5319	289,9	280,5	21,8
DN 80	3"	PN 16	DM111E00CAB0B0NNV00BAFIA0	DAN0180411S	KCNDDHD5319	289,9	287,5	25,7
DN 80	3"	PN 25-40	DM111I00CAB0B0NNV00BAFJA0	DAN0240411S	KCNDDHD5319	313,6	291,1	26,5
DN 100	4"	PN 16	DM112E00CAB0B0NNV00BAFKA0	DAN0360411S	KCNEHD5321	339,3	329,0	42,2
DN 100	4"	PN 25-40	DM112I00CAB0B0NNV00BAFLA0	DAN0480411S	KCNEFD5322	387,6	345,9	51,6

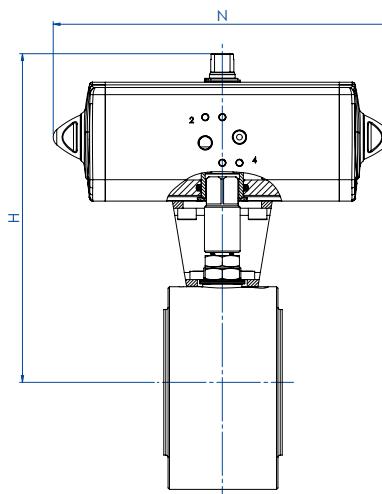
CODICI ARTICOLI IN LF2 ACCIAIO AL CARBONIO ITEM CODES IN LF2 CARBON STEEL

MISURA DN [mm]	SIZE [inch]	PN	CODICE ARTICOLO ITEM CODE	ATTUATORE ACTUATOR	KIT di montaggio Mounting KIT	N [mm]	H [mm]	Peso Kg Weight Kg
DN 15	1/2"	PN 16	DM104E00CBB0B0NNV00BAFBA0	DAN0015411S	KCNAHD5312	159,0	154,2	2,5
DN 15	1/2"	PN 25-40	DM104I00CBB0B0NNV00BAFCA0	DAN0030411S	KCNAHD5312	174,2	161,2	2,8
DN 20	3/4"	PN 16-40	DM105F00CBB0B0NNV00BAFCA0	DAN0030411S	KCNAHD5312	174,2	164,2	3,2
DN 25	1"	PN 16-40	DM106F00CBB0B0NNV00BAFCA0	DAN0030411S	KCNBCHD5315	174,2	181,2	4,1
DN 32	1" 1/4	PN 16-40	DM107F00CBB0B0NNV00BAFDA0	DAN0045412S	KCNBCHD5315	188,5	191,5	6,1
DN 32	1" 1/4	PN 16-40	DM107S00CBB0B0NNV00BAFDA0 *	DAN0045412S	KCNBCHD5315	188,5	191,5	5,8
DN 40	1" 1/2	PN 16-40	DM108F00CBB0B0NNV00BAFEA0	DAN0060412S	KCNCCHD5316	198,0	208,4	8,2
DN 50	2"	PN 16	DM109E00CBB0B0NNV00BAFGA0	DAN0106411S	KCNCCHD5317	237,0	230,3	12,2
DN 50	2"	PN 25-40	DM109I00CBB0B0NNV00BAFHA0	DAN0120411S	KCNCCHD5317	244,1	234,0	12,3
DN 65	2" 1/2	PN 16	DM110E00CBB0B0NNV00BAFHA0	DAN0120411S	KCNDDHD5318	244,1	250,0	19,7
DN 65	2" 1/2	PN 25-40	DM110I00CBB0B0NNV00BAFIA0	DAN0180411S	KCNDDHD5319	289,9	280,5	21,8
DN 80	3"	PN 16	DM111E00CBB0B0NNV00BAFIA0	DAN0180411S	KCNDDHD5319	289,9	287,5	25,7
DN 80	3"	PN 25-40	DM111I00CBB0B0NNV00BAFJA0	DAN0240411S	KCNDDHD5319	313,6	291,1	26,5
DN 100	4"	PN 16	DM112E00CBB0B0NNV00BAFKA0	DAN0360411S	KCNEHD5321	339,3	329,0	42,2
DN 100	4"	PN 25-40	DM112I00CBB0B0NNV00BAFLA0	DAN0480411S	KCNEFD5322	387,6	345,9	51,6

*Sfera non contenuta Protruding ball



MAGNUM WAFER - ANSI 150-300
ACCIAIO AL CARBONIO CARBON STEEL
CON ATTUATORE PNEUMATICO DA WITH DA PNEUMATIC ACTUATOR



CODICI ARTICOLI IN A105 ACCIAIO AL CARBONIO ITEM CODES IN A105 CARBON STEEL

MISURA SIZE		ANSI	CODICE ARTICOLO ITEM CODE	ATTUATORE ACTUATOR	KIT di montaggio Mounting KIT	N [mm]	H [mm]	Peso Kg Weight Kg
DN [mm]	[inch]							
DN 15	1/2"	ANSI 150	DM104101CAB0B0NNV00BAFBA0	DAN0015411S	KCNAAMD5312	159,0	154,2	2,5
DN 15	1/2"	ANSI 300	DM104201CAB0B0NNV00BAFCA0	DAN0030411S	KCNAAMD5313	174,2	163,2	2,8
DN 20	3/4"	ANSI 150	DM105101CAB0B0NNV00BAFCA0	DAN0030411S	KCNAAMD5312	174,2	164,2	3,2
DN 20	3/4"	ANSI 300	DM105201CAB0B0NNV00BAFCA0	DAN0030411S	KCNAAMD5314	174,2	169,2	3,5
DN 25	1"	ANSI 150	DM106101CAB0B0NNV00BAFCA0	DAN0030411S	KCNBCHD5315	174,2	181,2	4,1
DN 25	1"	ANSI 300	DM106201CAB0B0NNV00BAFCA0	DAN0030411S	KCNBCHD5249	174,2	184,2	5,5
DN 32	1" 1/4	ANSI 150	DM107101CAB0B0NNV00BAFDA0	DAN0045412S	KCNBCHD5315	188,5	191,5	5,6
DN 32	1" 1/4	ANSI 300	DM107201CAB0B0NNV00BAFDA0	DAN0045412S	KCNBCHD5315	188,5	191,5	6,1
DN 40	1" 1/2	ANSI 150	DM108101CAB0B0NNV00BAFEA0	DAN0060412S	KCNCCHD5316	198,0	208,4	7,4
DN 40	1" 1/2	ANSI 300	DM108201CAB0B0NNV00BAFEA0	DAN0060412S	KCNCCHD5316	198,0	208,4	9,3
DN 50	2"	ANSI 150	DM109101CAB0B0NNV00BAFGA0	DAN0106411S	KCNCCHD5317	237,0	230,3	12,4
DN 50	2"	ANSI 300	DM109201CAB0B0NNV00BAFHA0	DAN0120411S	KCNCCHD5267	244,1	240	13,8
DN 65	2" 1/2	ANSI 150	DM110101CAB0B0NNV00BAFHA0	DAN0120411S	KCNDDHD5318	244,1	250	19,9
DN 65	2" 1/2	ANSI 300	DM110201CAB0B0NNV00BAFIA0	DAN0180411S	KCNDDHD5320	289,9	286,5	24,9
DN 80	3"	ANSI 150	DM111101CAB0B0NNV00BAFIA0	DAN0180411S	KCNDDHD5319	289,9	287,5	30,3
DN 80	3"	ANSI 300	DM111201CAB0B0NNV00BAFJA0	DAN0240411S	KCNDDHD5320	313,6	297,1	31,1
DN 100	4"	ANSI 150	DM112101CAB0B0NNV00BAFKA0	DAN0360411S	KCNEEHD5321	339,3	329	42,2
DN 100	4"	ANSI 300	DM112201CAB0B0NNV00BAFLA0	DAN0480411S	KCNEFHD5323	387,6	359,9	62,8

CODICI ARTICOLI IN LF2 ACCIAIO AL CARBONIO ITEM CODES IN LF2 CARBON STEEL

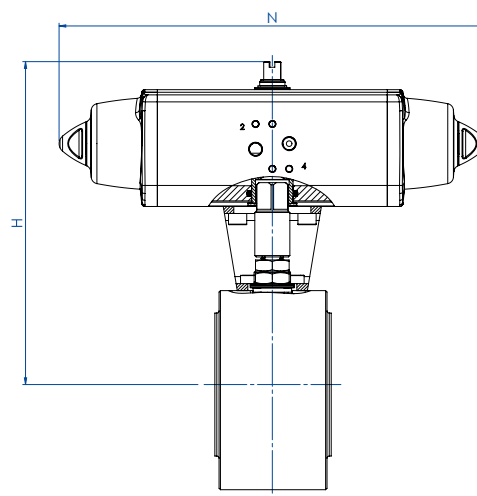
MISURA SIZE		ANSI	CODICE ARTICOLO ITEM CODE	ATTUATORE ACTUATOR	KIT di montaggio Mounting KIT	N [mm]	H [mm]	Peso Kg Weight Kg
DN [mm]	[inch]							
DN 15	1/2"	ANSI 150	DM104101CBB0B0NNV00BAFBA0	DAN0015411S	KCNAAMD5312	159,0	154,2	2,5
DN 15	1/2"	ANSI 300	DM104201CBB0B0NNV00BAFCA0	DAN0030411S	KCNAAMD5313	174,2	163,2	2,8
DN 20	3/4"	ANSI 150	DM105101CBB0B0NNV00BAFCA0	DAN0030411S	KCNAAMD5312	174,2	164,2	3,2
DN 20	3/4"	ANSI 300	DM105201CBB0B0NNV00BAFCA0	DAN0030411S	KCNAAMD5314	174,2	169,2	3,5
DN 25	1"	ANSI 150	DM106101CBB0B0NNV00BAFCA0	DAN0030411S	KCNBCHD5315	174,2	181,2	4,1
DN 25	1"	ANSI 300	DM106201CBB0B0NNV00BAFCA0	DAN0030411S	KCNBCHD5249	174,2	184,2	5,5
DN 32	1" 1/4	ANSI 150	DM107101CBB0B0NNV00BAFDA0	DAN0045412S	KCNBCHD5315	188,5	191,5	5,6
DN 32	1" 1/4	ANSI 300	DM107201CBB0B0NNV00BAFDA0	DAN0045412S	KCNBCHD5315	188,5	191,5	6,1
DN 40	1" 1/2	ANSI 150	DM108101CBB0B0NNV00BAFEA0	DAN0060412S	KCNCCHD5316	198,0	208,4	7,4
DN 40	1" 1/2	ANSI 300	DM108201CBB0B0NNV00BAFEA0	DAN0060412S	KCNCCHD5316	198,0	208,4	9,3
DN 50	2"	ANSI 150	DM109101CBB0B0NNV00BAFGA0	DAN0106411S	KCNCCHD5317	237,0	230,3	12,4
DN 50	2"	ANSI 300	DM109201CBB0B0NNV00BAFHA0	DAN0120411S	KCNCCHD5267	244,1	240	13,8
DN 65	2" 1/2	ANSI 150	DM110101CBB0B0NNV00BAFHA0	DAN0120411S	KCNDDHD5318	244,1	250	19,9
DN 65	2" 1/2	ANSI 300	DM110201CBB0B0NNV00BAFIA0	DAN0180411S	KCNDDHD5320	289,9	286,5	24,9
DN 80	3"	ANSI 150	DM111101CBB0B0NNV00BAFIA0	DAN0180411S	KCNDDHD5319	289,9	287,5	30,3
DN 80	3"	ANSI 300	DM111201CBB0B0NNV00BAFJA0	DAN0240411S	KCNDDHD5320	313,6	297,1	31,1
DN 100	4"	ANSI 150	DM112101CBB0B0NNV00BAFKA0	DAN0360411S	KCNEEHD5321	339,3	329,0	42,2
DN 100	4"	ANSI 300	DM112201CBB0B0NNV00BAFLA0	DAN0480411S	KCNEFHD5323	387,6	359,9	62,8



MAGNUM WAFER - PN 16-40

ACCIAIO AL CARBONIO CARBON STEEL

CON ATTUATORE PNEUMATICO SR WITH SR PNEUMATIC ACTUATOR



CODICI ARTICOLI IN A105 ACCIAIO AL CARBONIO ITEM CODES IN A105 CARBON STEEL

MISURA SIZE		PN	CODICE ARTICOLO ITEM CODE	ATTUATORE ACTUATOR	KIT di montaggio Mounting KIT	N [mm]	H [mm]	Peso Kg Weight Kg
DN [mm]	[inch]							
DN 15	1/2"	PN 16	SM104E00CAB0B0NNV00BAFCA0	SRN0015401S	KCNAHD5312	233,2	161,2	3,0
DN 15	1/2"	PN 25-40	SM104I00CAB0B0NNV00BAFEA0	SRN0030402S	KCNACHD5324	258,8	182,4	4,0
DN 20	3/4"	PN 16-40	SM105F00CAB0B0NNV00BAFEA0	SRN0030402S	KCNACHD5324	258,8	185,4	4,1
DN 25	1"	PN 16-40	SM106F00CAB0B0NNV00BAFEA0	SRN0030402S	KCNBCHD5327	258,8	192,4	5,0
DN 32	1" 1/4	PN 16-40	SM107F00CAB0B0NNV00BAFGA0	SRN0053401S	KCNBCHD5328	304,2	210,3	8,0
DN 32	1" 1/4	PN 16-40	SM107S00CAB0B0NNV00BAFGA0 *	SRN0053401S	KCNBCHD5328	304,2	210,3	8,0
DN 40	1" 1/2	PN 16-40	SM108F00CAB0B0NNV00BAFHA0	SRN0060401S	KCNCCHD5317	338,5	225,0	10,3
DN 50	2"	PN 16	SM109E00CAB0B0NNV00BAFIA0	SRN0090401S	KCNCDDH5329	393,7	264,5	15,5
DN 50	2"	PN 25-40	SM109I00CAB0B0NNV00BAFJA0	SRN0120401S	KCNCDDH5329	409,6	268,1	16,8
DN 65	2" 1/2	PN 16	SM110E00CAB0B0NNV00BAFJA0	SRN0120401S	KCNDH5319	409,6	284,1	25,0
DN 65	2" 1/2	PN 25-40	SM110I00CAB0B0NNV00BAFKA0	SRN0180401S	KCNDH5319	474,0	291,0	27,0
DN 80	3"	PN 16	SM111E00CAB0B0NNV00BAFKA0	SRN0180401S	KCNDH5319	474,0	298,0	31,0
DN 80	3"	PN 25-40	SM111I00CAB0B0NNV00BAFLA0	SRN0240401S	KCNDEHD5330	520,5	318,0	34,0
DN 100	4"	PN 16	SM112E00CAB0B0NNV00BAFMA0	SRN0360401S	KCNEFH5332	613,0	359,0	53,0
DN 100	4"	PN 25-40	SM112I00CAB0B0NNV00BAFNA0	SRN0480401S	KCNEFH5392	648,2	379,0	59,5

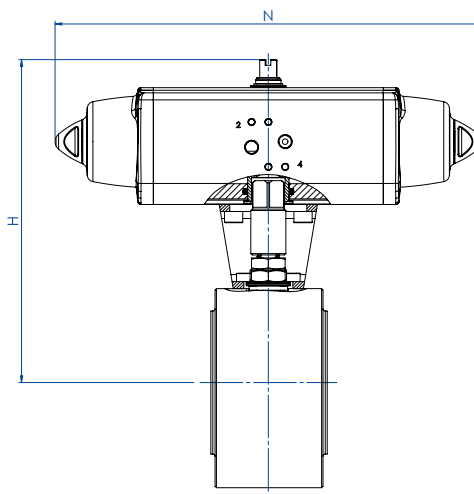
CODICI ARTICOLI IN LF2 ACCIAIO AL CARBONIO ITEM CODES IN LF2 CARBON STEEL

MISURA SIZE		PN	CODICE ARTICOLO ITEM CODE	ATTUATORE ACTUATOR	KIT di montaggio Mounting KIT	N [mm]	H [mm]	Peso Kg Weight Kg
DN [mm]	[inch]							
DN 15	1/2"	PN 16	SM104E00CBB0B0NNV00BAFCA0	SRN0015401S	KCNAHD5312	233,2	161,2	3,0
DN 15	1/2"	PN 25-40	SM104I00CBB0B0NNV00BAFEA0	SRN0030402S	KCNACHD5324	258,8	172,4	4,0
DN 20	3/4"	PN 16-40	SM105F00CBB0B0NNV00BAFEA0	SRN0030402S	KCNACHD5324	258,8	175,4	4,1
DN 25	1"	PN 16-40	SM106F00CBB0B0NNV00BAFEA0	SRN0030402S	KCNBCHD5327	258,8	192,4	5,0
DN 32	1" 1/4	PN 16-40	SM107F00CBB0B0NNV00BAFGA0	SRN0053401S	KCNBCHD5328	304,2	210,3	8,0
DN 32	1" 1/4	PN 16-40	SM107S00CBB0B0NNV00BAFGA0 *	SRN0053401S	KCNBCHD5328	304,2	210,3	8,0
DN 40	1" 1/2	PN 16-40	SM108F00CBB0B0NNV00BAFHA0	SRN0060401S	KCNCCHD5317	338,5	225,0	10,3
DN 50	2"	PN 16	SM109E00CBB0B0NNV00BAFIA0	SRN0090401S	KCNCDDH5329	393,7	264,5	15,5
DN 50	2"	PN 25-40	SM109I00CBB0B0NNV00BAFJA0	SRN0120401S	KCNCDDH5329	409,6	268,1	16,8
DN 65	2" 1/2	PN 16	SM110E00CBB0B0NNV00BAFJA0	SRN0120401S	KCNDH5319	409,6	284,1	25,0
DN 65	2" 1/2	PN 25-40	SM110I00CBB0B0NNV00BAFKA0	SRN0180401S	KCNDH5319	474,0	291,0	27,0
DN 80	3"	PN 16	SM111E00CBB0B0NNV00BAFKA0	SRN0180401S	KCNDH5319	474,0	298,0	31,0
DN 80	3"	PN 25-40	SM111I00CBB0B0NNV00BAFLA0	SRN0240401S	KCNDEHD5330	520,5	318,0	34,0
DN 100	4"	PN 16	SM112E00CBB0B0NNV00BAFMA0	SRN0360401S	KCNEFH5332	613,0	359,0	53,0
DN 100	4"	PN 25-40	SM112I00CBB0B0NNV00BAFNA0	SRN0480401S	KCNEFH5392	648,2	379,0	59,5

*Sfera non contenuta Protruding ball



MAGNUM WAFER - ANSI 150-300
ACCIAIO AL CARBONIO CARBON STEEL
CON ATTUATORE PNEUMATICO SR WITH SR PNEUMATIC ACTUATOR



CODICI ARTICOLI IN A105 ACCIAIO AL CARBONIO ITEM CODES IN A105 CARBON STEEL

MISURA DN [mm]	SIZE [inch]	ANSI	CODICE ARTICOLO ITEM CODE	ATTUATORE ACTUATOR	KIT di montaggio Mounting KIT	N [mm]	H [mm]	Peso Kg Weight Kg
DN 15	1/2"	ANSI 300	SM104201CAB0B0NNV00BAFEA0	SRN0030402S	KCNACHD5325	258,8	184,4	4,0
DN 20	3/4"	ANSI 150	SM105101CAB0B0NNV00BAFEA0	SRN0030402S	KCNACHD5324	258,8	185,4	4,4
DN 20	3/4"	ANSI 300	SM105201CAB0B0NNV00BAFEA0	SRN0030402S	KCNACHD5326	258,8	190,4	4,7
DN 25	1"	ANSI 150	SM106101CAB0B0NNV00BAFEA0	SRN0030402S	KCNBCHD5327	258,8	192,4	5,1
DN 25	1"	ANSI 300	SM106201CAB0B0NNV00BAFEA0	SRN0030402S	KCNBCHD5250	258,8	195,4	5,6
DN 32	1" 1/4	ANSI 150	SM107101CAB0B0NNV00BAFGA0	SRN0053401S	KCNBCHD5328	304,2	210,3	7,5
DN 32	1" 1/4	ANSI 300	SM107201CAB0B0NNV00BAFGA0	SRN0053401S	KCNBCHD5328	304,2	210,3	8,0
DN 40	1" 1/2	ANSI 150	SM108101CAB0B0NNV00BAFHA0	SRN0060401S	KCNCCHD5317	338,5	225,0	9,3
DN 40	1" 1/2	ANSI 300	SM108201CAB0B0NNV00BAFHA0	SRN0060401S	KCNCCHD5317	338,5	225,0	11,2
DN 50	2"	ANSI 150	SM109101CAB0B0NNV00BAFIA0	SRN0090401S	KCNCDHD5329	393,7	264,5	16,1
DN 50	2"	ANSI 300	SM109201CAB0B0NNV00BAFJA0	SRN0120401S	KCNCDHD5268	409,6	274,1	18,3
DN 65	2" 1/2	ANSI 150	SM110101CAB0B0NNV00BAFJA0	SRN0120401S	KCNDDHD5319	409,6	284,1	24,3
DN 65	2" 1/2	ANSI 300	SM110201CAB0B0NNV00BAFKA0	SRN0180401S	KCNDDHD5320	474,0	297,0	29,2
DN 80	3"	ANSI 150	SM111101CAB0B0NNV00BAFKA0	SRN0180401S	KCNDDHD5319	474,0	298,0	30,4
DN 80	3"	ANSI 300	SM111201CAB0B0NNV00BAFLA0	SRN0240401S	KCNDEHD5331	520,5	324,0	37,7
DN 100	4"	ANSI 150	SM112101CAB0B0NNV00BAFMA0	SRN0360401S	KCNEFHD5332	613,0	359,0	53,1
DN 100	4"	ANSI 300	SM112201CAB0B0NNV00BAFNA0	SRN0480401S	KCNEFHD5334	648,2	393,0	72,4

CODICI ARTICOLI IN LF2 ACCIAIO AL CARBONIO ITEM CODES IN LF2 CARBON STEEL

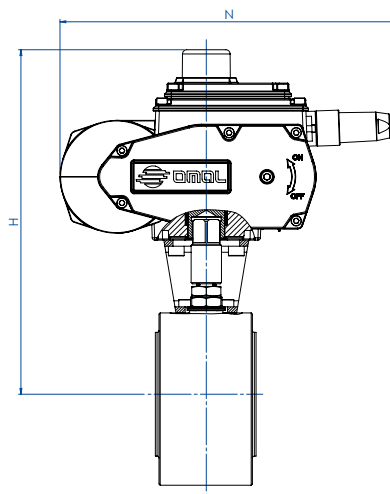
MISURA DN [mm]	SIZE [inch]	ANSI	CODICE ARTICOLO ITEM CODE	ATTUATORE ACTUATOR	KIT di montaggio Mounting KIT	N [mm]	H [mm]	Peso Kg Weight Kg
DN 15	1/2"	ANSI 300	SM104201CBB0B0NNV00BAFEA0	SRN0030402S	KCNACHD5325	258,8	184,4	4,0
DN 20	3/4"	ANSI 150	SM105101CBB0B0NNV00BAFEA0	SRN0030402S	KCNACHD5324	258,8	185,4	4,4
DN 20	3/4"	ANSI 300	SM105201CBB0B0NNV00BAFEA0	SRN0030402S	KCNACHD5326	258,8	190,4	4,7
DN 25	1"	ANSI 150	SM106101CBB0B0NNV00BAFEA0	SRN0030402S	KCNBCHD5327	258,8	192,4	5,1
DN 25	1"	ANSI 300	SM106201CBB0B0NNV00BAFEA0	SRN0030402S	KCNBCHD5250	258,8	195,4	5,6
DN 32	1" 1/4	ANSI 150	SM107101CBB0B0NNV00BAFGA0	SRN0053401S	KCNBCHD5328	304,2	210,3	7,5
DN 32	1" 1/4	ANSI 300	SM107201CBB0B0NNV00BAFGA0	SRN0053401S	KCNBCHD5328	304,2	210,3	8,0
DN 40	1" 1/2	ANSI 150	SM108101CBB0B0NNV00BAFHA0	SRN0060401S	KCNCCHD5317	338,5	225,0	9,3
DN 40	1" 1/2	ANSI 300	SM108201CBB0B0NNV00BAFHA0	SRN0060401S	KCNCCHD5317	338,5	225,0	11,2
DN 50	2"	ANSI 150	SM109101CBB0B0NNV00BAFIA0	SRN0090401S	KCNCDHD5329	393,7	264,5	16,1
DN 50	2"	ANSI 300	SM109201CBB0B0NNV00BAFJA0	SRN0120401S	KCNCDHD5268	409,6	274,1	18,3
DN 65	2" 1/2	ANSI 150	SM110101CBB0B0NNV00BAFJA0	SRN0120401S	KCNDDHD5319	409,6	284,1	24,3
DN 65	2" 1/2	ANSI 300	SM110201CBB0B0NNV00BAFKA0	SRN0180401S	KCNDDHD5320	474,0	297,0	29,2
DN 80	3"	ANSI 150	SM111101CBB0B0NNV00BAFKA0	SRN0180401S	KCNDDHD5319	474,0	298,0	30,4
DN 80	3"	ANSI 300	SM111201CBB0B0NNV00BAFLA0	SRN0240401S	KCNDEHD5331	520,5	324,0	37,7
DN 100	4"	ANSI 150	SM112101CBB0B0NNV00BAFMA0	SRN0360401S	KCNEFHD5332	613,0	359,0	53,1
DN 100	4"	ANSI 300	SM112201CBB0B0NNV00BAFNA0	SRN0480401S	KCNEFHD5334	648,2	393,0	72,4



MAGNUM WAFER - PN 16-40

ACCIAIO AL CARBONIO CARBON STEEL

CON ATTUATORE ELETTRICO WITH ELECTRIC ACTUATOR



CODICI ARTICOLI IN A105 ACCIAIO AL CARBONIO ITEM CODES IN A105 CARBON STEEL

MISURA SIZE		PN	CODICE ARTICOLO ITEM CODE	ATTUATORE ACTUATOR	KIT di montaggio Mounting KIT	N [mm]	H [mm]	Peso Kg Weight Kg
DN [mm]	[inch]							
DN 15	1/2"	PN 16-40	EM104F00CAB0B0NNV00BAMEG0	EA0035A5C000	KCNACHD5324	250,0	229,0	5,0
DN 20	3/4"	PN 16-40	EM105F00CAB0B0NNV00BAMEG0	EA0035A5C000	KCNACHD5324	250,0	232,0	5,4
DN 25	1"	PN 16-40	EM106F00CAB0B0NNV00BAMEG0	EA0035A5C000	KCNBCHD5327	250,0	239,0	6,1
DN 32	1" 1/4	PN 16-40	EM107F00CAB0B0NNV00BAMGG0	EA0070A5C000	KCNBCHD5327	250,0	244,0	7,9
DN 32	1" 1/4	PN 16-40	EM107S00CAB0B0NNV00BAMGG0 *	EA0070A5C000	KCNBCHD5327	250,0	244,0	7,6
DN 40	1" 1/2	PN 16-40	EM108F00CAB0B0NNV00BAMGG0	EA0070A5C000	KCNCCHD5316	250,0	255,0	9,5
DN 50	2"	PN 16-40	EM109F00CAB0B0NNV00BAMIG0	EA0130A5C000	KCNCCHD5317	280,0	284,5	16,4
DN 65	2" 1/2	PN 16	EM110E00CAB0B0NNV00BAMIG0	EA0130A5C000	KCNDDHD5318	280,0	300,5	23,7
DN 65	2" 1/2	PN 25-40	EM110I00CAB0B0NNV00BAMKGG0	EA0240A5C000	KCNDDHD5319	280,0	300,5	24,0
DN 80	3"	PN 16-40	EM111F00CAB0B0NNV00BAMKGG0	EA0240A5C000	KCNDDHD5319	280,0	307,5	27,5
DN 100	4"	PN 16	EM112E00CAB0B0NNV00BAMNA0	AE160040	KCNEEHV5336	256,5	338,5	44,5
DN 100	4"	PN 25-40	EM112I00CAB0B0NNV00BAMNA0	AE160040	KCNEEHV5337	256,5	352,5	49,5

CODICI ARTICOLI IN LF2 ACCIAIO AL CARBONIO ITEM CODES IN LF2 CARBON STEEL

MISURA SIZE		PN	CODICE ARTICOLO ITEM CODE	ATTUATORE ACTUATOR	KIT di montaggio Mounting KIT	N [mm]	H [mm]	Peso Kg Weight Kg
DN [mm]	[inch]							
DN 15	1/2"	PN 16-40	EM104F00CBB0B0NNV00BAMEG0	EA0035A5C000	KCNACHD5324	250,0	229,0	5,0
DN 20	3/4"	PN 16-40	EM105F00CBB0B0NNV00BAMEG0	EA0035A5C000	KCNACHD5324	250,0	232,0	5,4
DN 25	1"	PN 16-40	EM106F00CBB0B0NNV00BAMEG0	EA0035A5C000	KCNBCHD5327	250,0	239,0	6,1
DN 32	1" 1/4	PN 16-40	EM107F00CBB0B0NNV00BAMGG0	EA0070A5C000	KCNBCHD5327	250,0	244,0	7,9
DN 32	1" 1/4	PN 16-40	EM107S00CBB0B0NNV00BAMGG0 *	EA0070A5C000	KCNBCHD5327	250,0	244,0	7,6
DN 40	1" 1/2	PN 16-40	EM108F00CBB0B0NNV00BAMGG0	EA0070A5C000	KCNCCHD5316	250,0	255,0	9,5
DN 50	2"	PN 16-40	EM109F00CBB0B0NNV00BAMIG0	EA0130A5C000	KCNCCHD5317	280,0	284,5	16,4
DN 65	2" 1/2	PN 16	EM110E00CBB0B0NNV00BAMIG0	EA0130A5C000	KCNDDHD5318	280,0	300,5	23,7
DN 65	2" 1/2	PN 25-40	EM110I00CBB0B0NNV00BAMKGG0	EA0240A5C000	KCNDDHD5319	280,0	300,5	23,6
DN 80	3"	PN 16-40	EM111F00CBB0B0NNV00BAMKGG0	EA0240A5C000	KCNDDHD5319	280,0	307,5	27,5
DN 100	4"	PN 16	EM112E00CBB0B0NNV00BAMNA0	AE160040	KCNEEHV5336	256,5	338,5	44,5
DN 100	4"	PN 25-40	EM112I00CBB0B0NNV00BAMNA0	AE160040	KCNEEHV5337	256,5	352,5	49,5

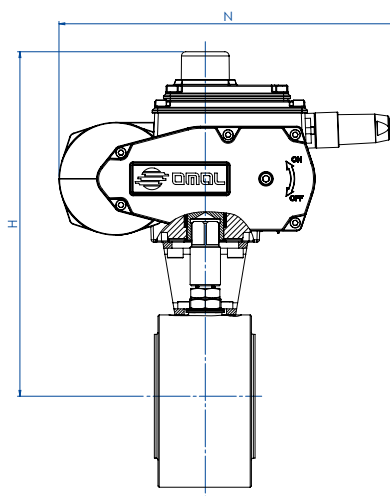
*Sfera non contenuta Protruding ball



MAGNUM WAFER - ANSI 150-300

ACCIAIO AL CARBONIO CARBON STEEL

CON ATTUATORE ELETTRICO WITH ELECTRIC ACTUATOR



CODICI ARTICOLI IN A105 ACCIAIO AL CARBONIO ITEM CODES IN A105 CARBON STEEL

MISURA DN [mm]	SIZE [inch]	ANSI	CODICE ARTICOLO ITEM CODE	ATTUATORE ACTUATOR	KIT di montaggio Mounting KIT	N [mm]	H [mm]	Peso Kg Weight Kg
DN 15	1/2"	ANSI 150	EM104101CAB0B0NNV00BAMEG0	EA0035A5C000	KCNACHD5324	250,0	229,0	5,0
DN 15	1/2"	ANSI 300	EM104201CAB0B0NNV00BAMEG0	EA0035A5C000	KCNACHD5325	250,0	231,0	5,0
DN 20	3/4"	ANSI 150	EM105101CAB0B0NNV00BAMEG0	EA0035A5C000	KCNACHD5324	250,0	232,0	5,4
DN 20	3/4"	ANSI 300	EM105201CAB0B0NNV00BAMEG0	EA0035A5C000	KCNACHD5326	250,0	237,0	5,7
DN 25	1"	ANSI 150	EM106101CAB0B0NNV00BAMEG0	EA0035A5C000	KCNBCHD5327	250,0	239,0	6,1
DN 25	1"	ANSI 300	EM106201CAB0B0NNV00BAMEG0	EA0035A5C000	KCNBCHD5250	250,0	242,0	6,5
DN 32	1" 1/4	ANSI 150	EM107101CAB0B0NNV00BAMGG0	EA0070A5C000	KCNBCHD5327	250,0	244,0	7,1
DN 32	1" 1/4	ANSI 300	EM107201CAB0B0NNV00BAMGG0	EA0070A5C000	KCNBCHD5327	250,0	244,0	7,6
DN 40	1" 1/2	ANSI 150	EM108101CAB0B0NNV00BAMGG0	EA0070A5C000	KCNCCHD5316	250,0	255,0	8,8
DN 40	1" 1/2	ANSI 300	EM108201CAB0B0NNV00BAMGG0	EA0070A5C000	KCNCCHD5316	250,0	255,0	10,8
DN 50	2"	ANSI 150	EM109101CAB0B0NNV00BAMIG0	EA0130A5C000	KCNCCHD5317	280,0	284,5	16,6
DN 50	2"	ANSI 300	EM109201CAB0B0NNV00BAMIG0	EA0130A5C000	KCNCCHD5267	280,0	290,5	17,9
DN 65	2" 1/2	ANSI 150	EM110101CAB0B0NNV00BAMIG0	EA0130A5C000	KCNDDHD5318	280,0	300,5	24,0
DN 65	2" 1/2	ANSI 300	EM110201CAB0B0NNV00BAMKGO	EA0240A5C000	KCNDDHD5320	280,0	306,5	26,1
DN 80	3"	ANSI 150	EM111101CAB0B0NNV00BAMKGO	EA0240A5C000	KCNDDHD5319	280,0	307,5	27,9
DN 80	3"	ANSI 300	EM111201CAB0B0NNV00BAMKGO	EA0240A5C000	KCNDDHD5320	280,0	313,5	31,5
DN 100	4"	ANSI 150	EM112101CAB0B0NNV00BAMNA0	AE160040	KCNEEHV5336	256,5	338,5	44,5
DN 100	4"	ANSI 300	EM112201CAB0B0NNV00BAMNA0	AE160040	KCNEEHV5338	256,5	352,5	57,0

CODICI ARTICOLI IN LF2 ACCIAIO AL CARBONIO ITEM CODES IN LF2 CARBON STEEL

MISURA DN [mm]	SIZE [inch]	ANSI	CODICE ARTICOLO ITEM CODE	ATTUATORE ACTUATOR	KIT di montaggio Mounting KIT	N [mm]	H [mm]	Peso Kg Weight Kg
DN 15	1/2"	ANSI 150	EM104101CBB0B0NNV00BAMEG0	EA0035A5C000	KCNACHD5324	250,0	229,0	5,0
DN 15	1/2"	ANSI 300	EM104201CBB0B0NNV00BAMEG0	EA0035A5C000	KCNACHD5325	250,0	231,0	5,0
DN 20	3/4"	ANSI 150	EM105101CBB0B0NNV00BAMEG0	EA0035A5C000	KCNACHD5324	250,0	232,0	5,4
DN 20	3/4"	ANSI 300	EM105201CBB0B0NNV00BAMEG0	EA0035A5C000	KCNACHD5326	250,0	237,0	5,7
DN 25	1"	ANSI 150	EM106101CBB0B0NNV00BAMEG0	EA0035A5C000	KCNBCHD5327	250,0	239,0	6,1
DN 25	1"	ANSI 300	EM106201CBB0B0NNV00BAMEG0	EA0035A5C000	KCNBCHD5250	250,0	242,0	6,5
DN 32	1" 1/4	ANSI 150	EM107101CBB0B0NNV00BAMGG0	EA0070A5C000	KCNBCHD5327	250,0	244,0	7,1
DN 32	1" 1/4	ANSI 300	EM107201CBB0B0NNV00BAMGG0	EA0070A5C000	KCNBCHD5327	250,0	244,0	7,6
DN 40	1" 1/2	ANSI 150	EM108101CBB0B0NNV00BAMGG0	EA0070A5C000	KCNCCHD5316	250,0	255,0	8,8
DN 40	1" 1/2	ANSI 300	EM108201CBB0B0NNV00BAMGG0	EA0070A5C000	KCNCCHD5316	250,0	255,0	10,8
DN 50	2"	ANSI 150	EM109101CBB0B0NNV00BAMIG0	EA0130A5C000	KCNCCHD5317	280,0	284,5	16,6
DN 50	2"	ANSI 300	EM109201CBB0B0NNV00BAMIG0	EA0130A5C000	KCNCCHD5267	280,0	290,5	17,9
DN 65	2" 1/2	ANSI 150	EM110101CBB0B0NNV00BAMIG0	EA0130A5C000	KCNDDHD5318	280,0	300,5	24,0
DN 65	2" 1/2	ANSI 300	EM110201CBB0B0NNV00BAMKGO	EA0240A5C000	KCNDDHD5320	280,0	306,5	26,1
DN 80	3"	ANSI 150	EM111101CBB0B0NNV00BAMKGO	EA0240A5C000	KCNDDHD5319	280,0	307,5	27,9
DN 80	3"	ANSI 300	EM111201CBB0B0NNV00BAMKGO	EA0240A5C000	KCNDDHD5320	280,0	313,5	31,5
DN 100	4"	ANSI 150	EM112101CBB0B0NNV00BAMNA0	AE160040	KCNEEHV5336	256,5	338,5	44,5
DN 100	4"	ANSI 300	EM112201CBB0B0NNV00BAMNA0	AE160040	KCNEEHV5338	256,5	352,5	57,0

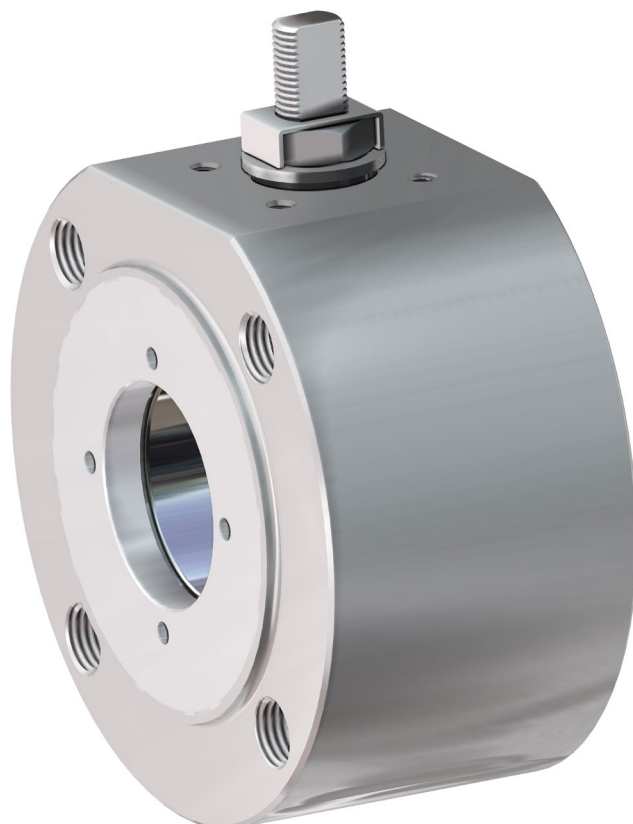
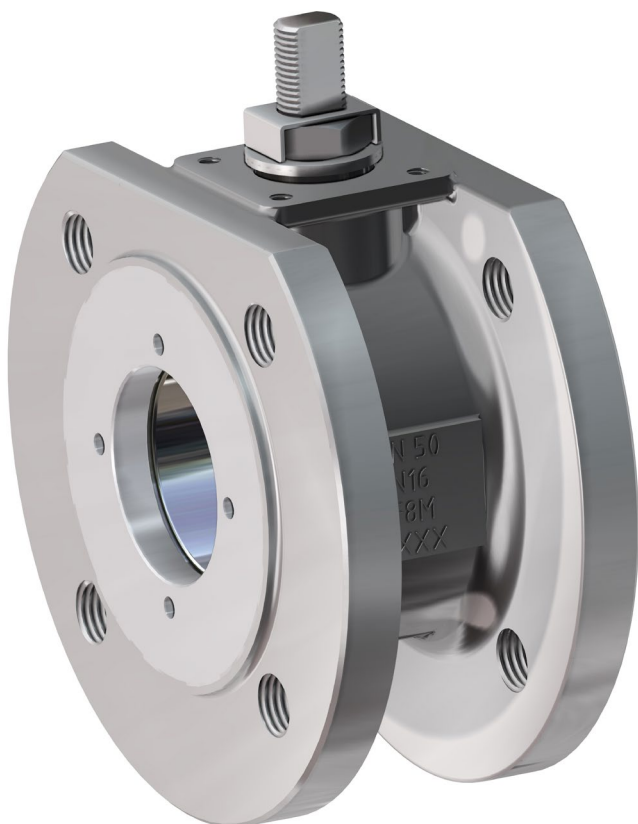
Articoli disponibili anche con attuatore modulare *Items available also with modulating actuator*





MAGNUM WAFER PN 16-40 ANSI 150-300

ACCIAIO INOX STAINLESS STEEL



ESECUZIONE STANDARD

- Sfera flottante contenuta, passaggio totale.
- Tenuta soft-seat: PTFE Modificato.
- Norme per flange d'attacco EN 1092-1; ASME B16.5.
- Temperature di utilizzo vedi diagramma pressione temperatura.
- Classe di pressione: PN16-40; ANSI 150-300.
- Classe di tenuta: EN12266-1 rate A.
- Fluido intercettato: aria, acqua, gas, prodotti petroliferi e petrolchimici, fluidi aggressivi.
- Antistatic device EN12266-2.
- Tenuta stelo: pacco a V di serie in PTFE Modificato.
- Tenuta addizionale su stelo con O-ring FKM; Stelo anti Blow-out.
- Foratura piano per attuatori a norma ISO 5211.
- Angolo di chiusura >7°.

STANDARD FEATURES

- No protruding floating ball, full bore.
- Soft-seat seal: Modified PTFE.
- Standard for connecting flanges: EN 1092-1; ASME B16.5.
- Operating temperature see temperature pressure diagram.
- Pressure class: PN16-40 - ANSI 150-300.
- Tightness Class: EN12266-1 rate A.
- Intercepted fluid: air, water, gas, petroleum and petrochemical products, aggressive fluids.
- Antistatic device EN12266-2.
- Stem seal: Modified PTFE V-pack.
- Additional seal on stem with FKM O-ring.
- Anti Blow-out stem.
- Actuator connection as per standard ISO 5211.
- Closing angle >7°.

ESECUZIONI A RICHIESTA

- Per altri tipi di flangiature contattare il nostro ufficio commerciale.
- Camicia di riscaldamento.
- Guarnizioni di tenuta in: PTFE caricato vetro (PTFE-GF), PTFE caricato carbonio (PTFE-CF). Per altri tipi di materiale contattare il nostro ufficio commerciale.
- Esecuzione monodirezionale con foro di compensazione della pressione nella sfera.
- Leva inox; dadi e molle stelo inox.
- Per esecuzioni con materiali (corpo/sfera/stelo) diversi dallo standard contattare il nostro ufficio commerciale.
- Marcatura e certificato ATEX A RICHIESTA.

FEATURES ON REQUEST

- For other flange types please contact our sales department.
- Heating jacket.
- Sealing in: PTFE reinforced with glass (PTFE-GF), PTFE reinforced with carbon-graphite (PTFE-CF). For other types of materials please contact our sales department.
- Mono-directional version with pressure-relief hole in the ball.
- Stainless steel lever; stainless steel Stem nuts and springs.
- For versions in materials different from the standard (body, ball, stem), please contact our sales department.
- ATEX marking and certificate **ON REQUEST**.

CERTIFICAZIONI

- Conforme alla direttiva Europea 2014/68/UE PED;
- Fugitive Emission ISO 15848 (ISO FE BH-C03-SSA 0);
- TA-LUFT VDI 2440;
- FIRE SAFE: ISO 10497 Third ed. 2010 / API 607 Sixth ed. 2010.
- Livello di sicurezza funzionale fino a SIL 3 in accordo a IEC 61508.
- Conforme alla direttiva ATEX 2014/34/UE, certificato ATEX A RICHIESTA.

CERTIFICATIONS

- In compliance with European Directive 2014/68/EU PED;
- Fugitive Emission ISO 15848 (ISO FE BH-C03-SSA 0);
- TA-LUFT VDI 2440;
- FIRE SAFE: ISO 10497 Third ed. 2010 / API 607 Sixth ed. 2010.
- Safety integrity level up to SIL 3 according to IEC 61508.
- In compliance with ATEX 2014/34/EU Directive, ATEX certificate **ON REQUEST**.

NORME DI PROGETTAZIONE

- Spessori corpo in accordo a: ASME B16.34, ASME VIII div.1, EN 12516.
- Materiali e rating in accordo ad ASME B16.34 per valvole ANSI ed EN 12516 per valvole PN.

ENGINEERING STANDARDS

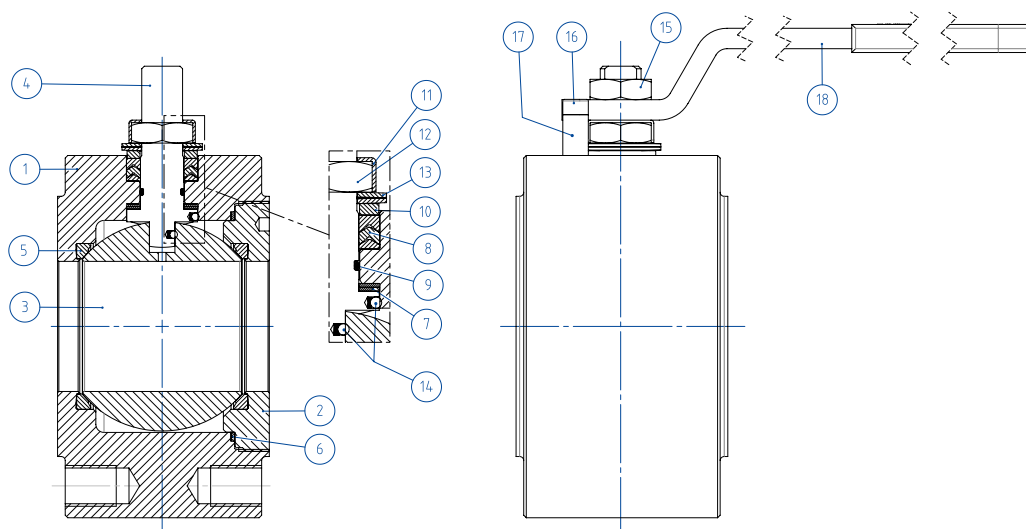
- Body thickness in compliance with: ASME B16.34, ASME VIII div.1, EN 12516.
- Materials and rating in compliance with ASME B16.34 for ANSI valves and EN 12516 for PN valves.



MAGNUM WAFER - PN 16-40 ANSI 150-300

ACCIAIO INOX STAINLESS STEEL

TABELLA DEI MATERIALI MATERIALS TABLE



MATERIALI MATERIALS - DA BARRA FROM BAR		
N°	Descrizione Description	316 Stainless steel
1	Corpo Body	ASTM A 182 F316 / A479TP.316 (x) (1.4401 / X5CrNiMo 17-12-2)
2	Ghiera Ring nut	
3	Sfera Ball	ASTM A351 CF8M (1.4408/Gx5CrNiMo19-12-2)
4	Stelo Stem	A564 TP.630 (17-4PH)
5*	Seggio Seat	PTFE Modificato Modified PTFE (.)
6*	Guarnizione corpo ghiera Body-Ring nut gasket	PTFE Modificato Modified PTFE (.)
7*	Tenuta inferiore stelo Stem lower sealing	PTFE Modificato Modified PTFE (.)
8*	Pacco a V Chevron rings	PTFE Modificato Modified PTFE (.)
9*	O-ring stelo Stem o-ring	FKM (.)
10	Anello premi guarnizione Packing gland ring	304 S.S.
11	Piastra blocca dado Stop nut plate	304 S.S.
12	Dado stelo Stem nut	Acciaio al carbonio zincato Carbon steel galvanized (x)
13	Molle a tazza Springs washer	Acciaio al carbonio zincato Carbon steel galvanized (xx)
14	Dispositivo antistatico Antistatic device	316 S.S.
15	Controdado Lock nut	Acciaio al carbonio zincato Carbon steel galvanized (x)
16	Vite di fermo Holder screw	A2-70 (304 S.S.)
17	Fermo di posizione Holder screw	Acciaio al carbonio zincato Carbon steel galvanized (x)
18	Leva Lever	Fe37 zincato-galvanized (x)

* Componenti del kit di guarnizioni Components of seals kit

MATERIALI MATERIALS - DA FUSIONE CASTING		
N°	Descrizione Description	CF8M Stainless steel
1	Corpo Body	ASTM A351 CF8M (1.4408/Gx5CrNiMo19-12-2)
2	Ghiera Ring nut	
3	Sfera Ball	ASTM A351 CF8M (1.4408/Gx5CrNiMo19-12-2)
4	Stelo Stem	A564 TP.630 (17-4PH)
5*	Seggio Seat	PTFE Modificato Modified PTFE (.)
6*	Guarnizione corpo ghiera Body-Ring nut gasket	PTFE Modificato Modified PTFE (.)
7*	Tenuta inferiore stelo Stem lower sealing	PTFE Modificato Modified PTFE (.)
8*	Pacco a V Chevron rings	PTFE Modificato Modified PTFE (.)
9*	O-ring stelo Stem o-ring	FKM (.)
10	Anello premi guarnizione Packing gland ring	304 S.S.
11	Piastra blocca dado Stop nut plate	304 S.S.
12	Dado stelo Stem nut	Acciaio al carbonio zincato Carbon steel galvanized (x)
13	Molle a tazza Springs washer	Acciaio al carbonio zincato Carbon steel galvanized (xx)
14	Dispositivo antistatico Antistatic device	316 S.S.
15	Controdado Lock nut	Acciaio al carbonio zincato Carbon steel galvanized (x)
16	Vite di fermo Holder screw	A2-70 (304 S.S.)
17	Fermo di posizione Holder screw	Acciaio al carbonio zincato Carbon steel galvanized (x)
18	Leva Lever	Fe37 zincato-galvanized (x)

* Componenti del kit di guarnizioni Components of seals kit

A richiesta disponibile in: Available on request:

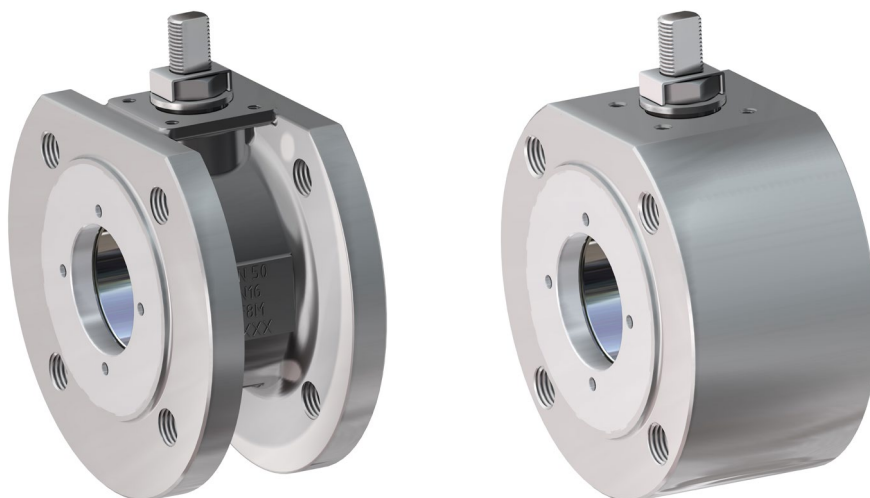
(x): 304 s.s.

(xx): 301 s.s.

(.): Altri materiali disponibili a richiesta Other materials available on request



MAGNUM WAFER - PN 16-40 ANSI 150-300
ACCIAIO INOX STAINLESS STEEL
ASSE LIBERO E CON LEVA FREE SHAFT AND WITH LEVER



**CODICI VALVOLE ASSE LIBERO (V_) E CON LEVA (L_) IN ACCIAIO INOX -PN-
 STAINLESS STEEL BARE SHAFT (V_) AND LEVER (L_) OPERATED VALVE CODE -PN-**

MISURA SIZE		PN	316 Stainless steel
DN [mm]	[inch]		
DN 15	1/2"	PN 16-40	V/LM104F00ABA0A0NNV000
DN 20	3/4"	PN 16-40	V/LM105F00ABA0A0NNV000
DN 25	1"	PN 16-40	V/LM106F00ABA0A0NNV000
DN 32	1" 1/4	PN 16-40	V/LM107F00ABA0A0NNV000
DN 32	1" 1/4	PN 16-40	V/LM107S00ABA0A0NNV000 *
DN 40	1" 1/2	PN 16-40	V/LM108F00ABA0A0NNV000
DN 50	2"	PN 16-40	V/LM109F00ABA0A0NNV000
DN 65	2" 1/2	PN16	V/LM110E00ABA0A0NNV000
DN 65	2" 1/2	PN 25-40	V/LM110I00ABA0A0NNV000
DN 80	3"	PN 16-40	V/LM111F00ABA0A0NNV000
DN 100	4"	PN16	V/LM112E00ABA0A0NNV000
DN 100	4"	PN 25-40	V/LM112I00ABA0A0NNV000
MISURA SIZE		PN	CF8M
DN [mm]	[inch]		
DN 50	2"	PN 16	V/LM109E00AEA0A0NNV000
DN 65	2" 1/2	PN 16	V/LM110E00AEA0A0NNV000
DN 80	3"	PN 16	V/LM111E00AEA0A0NNV000
DN 100	4"	PN 16	V/LM112E00AEA0A0NNV000

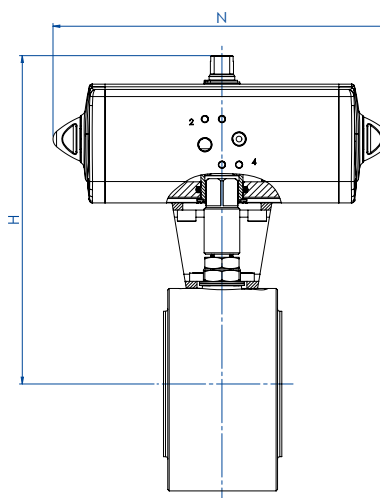
**CODICI VALVOLE ASSE LIBERO (V_) E CON LEVA (L_) IN ACCIAIO INOX -ANSI-
 STAINLESS STEEL BARE SHAFT (V_) AND LEVER (L_) OPERATED VALVE CODE -ANSI-**

MISURA SIZE		ANSI	316 Stainless steel
DN [mm]	[inch]		
DN 15	1/2"	ANSI 150	V/LM104101ABA0A0NNV000
DN 15	1/2"	ANSI 300	V/LM104201ABA0A0NNV000
DN 20	3/4"	ANSI 150	V/LM105101ABA0A0NNV000
DN 20	3/4"	ANSI 300	V/LM105201ABA0A0NNV000
DN 25	1"	ANSI 150	V/LM106101ABA0A0NNV000
DN 25	1"	ANSI 300	V/LM106201ABA0A0NNV000
DN 32	1" 1/4	ANSI 150	V/LM107101ABA0A0NNV000
DN 32	1" 1/4	ANSI 300	V/LM107201ABA0A0NNV000
DN 40	1" 1/2	ANSI 150	V/LM108101ABA0A0NNV000
DN 40	1" 1/2	ANSI 300	V/LM108201ABA0A0NNV000
DN 50	2"	ANSI 150	V/LM109101ABA0A0NNV000
DN 50	2"	ANSI 300	V/LM109201ABA0A0NNV000
DN 65	2" 1/2	ANSI 150	V/LM110101ABA0A0NNV000
DN 65	2" 1/2	ANSI 300	V/LM110201ABA0A0NNV000
DN 80	3"	ANSI 150	V/LM111101ABA0A0NNV000
DN 80	3"	ANSI 300	V/LM111201ABA0A0NNV000
DN 100	4"	ANSI 150	V/LM112101ABA0A0NNV000
DN 100	4"	ANSI 300	V/LM112201ABA0A0NNV000

*Sfera non contenuta Protruding ball



MAGNUM WAFER - PN 16-40 ANSI 150-300 ACCIAIO INOX STAINLESS STEEL CON ATTUATORE PNEUMATICO DA WITH DA PNEUMATIC ACTUATOR



CODICI ARTICOLI IN 316 E CF8M ACCIAIO INOX -PN- ITEM CODES IN 316 AND CF8M STAINLESS STEEL -PN-

MISURA SIZE		PN	CODICE ARTICOLO -316- ITEM CODE -316-	ATTUATORE ACTUATOR	KIT di montaggio Mounting KIT	N [mm]	H [mm]	Peso Kg Weight Kg
DN [mm]	[inch]							
DN 15	1/2"	PN 16	DM104E00ABA0A0NNV000AFBA0	DAN0015411S	KCNAHD5312	159,1	154,2	2,5
DN 15	1/2"	PN 25-40	DM104I00ABA0A0NNV000AFCA0	DAN0030411S	KCNAHD5312	174,3	161,2	2,7
DN 20	3/4"	PN 16-40	DM105F00ABA0A0NNV000AFCA0	DAN0030411S	KCNAHD5312	174,3	164,2	3,2
DN 25	1"	PN 16-40	DM106F00ABA0A0NNV000AFCA0	DAN0030411S	KCNBCHD5315	174,3	181,2	3,9
DN 32	1" 1/4	PN 16-40	DM107F00ABA0A0NNV000AFDA0	DAN0045412S	KCNBCHD5315	188,5	191,5	6,0
DN 32	1" 1/4	PN 16-40	DM107S00ABA0A0NNV000AFDA0 *	DAN0045412S	KCNBCHD5315	188,5	191,5	5,7
DN 40	1" 1/2	PN 16-40	DM108F00ABA0A0NNV000AFEAO	DAN0060412S	KCNCCHD5316	198,1	208,4	7,9
DN 50	2"	PN 16	DM109E00ABA0A0NNV000AFGA0	DAN0106411S	KCNCCHD5317	237,1	230,3	11,9
DN 50	2"	PN 25-40	DM109I00ABA0A0NNV000AFHA0	DAN0120411S	KCNCCHD5317	257,4	234,0	12,1
DN 65	2" 1/2	PN 16	DM110E00ABA0A0NNV000AFHA0	DAN0120411S	KCNDDHD5318	257,4	250,0	19,3
DN 65	2" 1/2	PN 25-40	DM110I00ABA0A0NNV000AFIA0	DAN0180411S	KCNDDHD5319	289,9	280,5	20,8
DN 80	3"	PN 16	DM111E00ABA0A0NNV000AFIA0	DAN0180411S	KCNDDHD5319	289,9	287,5	25,2
DN 80	3"	PN 25-40	DM111I00ABA0A0NNV000AFJA0	DAN0240411S	KCNDDHD5319	313,6	291,1	26,2
DN 100	4"	PN 16	DM112E00ABA0A0NNV000AFKA0	DAN0360411S	KCNEEHD5321	339,3	329,0	43,0
DN 100	4"	PN 25-40	DM112I00ABA0A0NNV000AFLA0	DAN0480411S	KCNEEHD5322	387,7	345,9	45,0
MISURA SIZE		PN	CODICE ARTICOLO -CF8M- ITEM CODE -CF8M-	ATTUATORE ACTUATOR	KIT di montaggio Mounting KIT	N [mm]	H [mm]	Peso Kg Weight Kg
DN [mm]	[inch]							
DN 50	2"	PN 16	DM109E00AEA0A0NNV000AFGA0	DAN0106411S	KCNCCHD5317	237,1	230,3	9,3
DN 65	2" 1/2	PN 16	DM110E00AEA0A0NNV000AFHA0	DAN0120411S	KCNDDHD5318	257,4	250,0	12,8
DN 80	3"	PN 16	DM111E00AEA0A0NNV000AFIA0	DAN0180411S	KCNDDHD5319	289,9	287,5	17,7
DN 100	4"	PN 16	DM112E00AEA0A0NNV000AFKA0	DAN0360411S	KCNEEHD5321	339,3	329,0	29,3

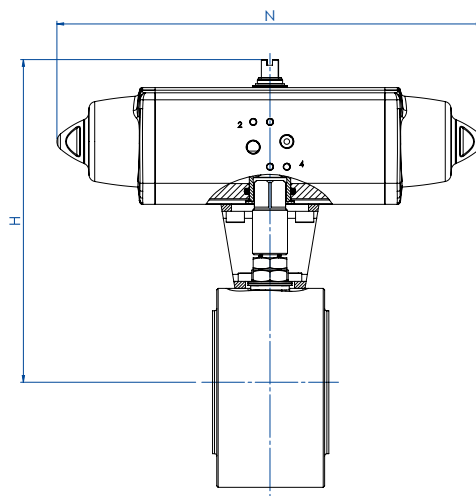
CODICI ARTICOLI IN 316 ACCIAIO INOX -ANSI- ITEM CODES IN 316 STAINLESS STEEL -ANSI-

MISURA SIZE		ANSI	CODICE ARTICOLO -316- ITEM CODE -316-	ATTUATORE ACTUATOR	KIT di montaggio Mounting KIT	N [mm]	H [mm]	Peso Kg Weight Kg
DN [mm]	[inch]							
DN 15	1/2"	ANSI 150	DM104101ABA0A0NNV000AFBA0	DAN0015411S	KCNAHD5312	159,1	154,2	2,5
DN 15	1/2"	ANSI 300	DM104201ABA0A0NNV000AFCA0	DAN0030411S	KCNAHD5313	174,3	163,2	2,7
DN 20	3/4"	ANSI 150	DM105101ABA0A0NNV000AFCA0	DAN0030411S	KCNAHD5312	174,3	164,2	3,2
DN 20	3/4"	ANSI 300	DM105201ABA0A0NNV000AFCA0	DAN0030411S	KCNAHD5314	174,3	169,2	3,5
DN 25	1"	ANSI 150	DM106101ABA0A0NNV000AFCA0	DAN0030411S	KCNBCHD5315	174,3	181,2	3,9
DN 25	1"	ANSI 300	DM106201ABA0A0NNV000AFCA0	DAN0030411S	KCNBCHD5249	174,3	184,2	4,2
DN 32	1" 1/4	ANSI 150	DM107101ABA0A0NNV000AFDA0	DAN0045412S	KCNBCHD5315	188,5	191,5	5,7
DN 32	1" 1/4	ANSI 300	DM107201ABA0A0NNV000AFDA0	DAN0045412S	KCNBCHD5315	188,5	191,5	6,2
DN 40	1" 1/2	ANSI 150	DM108101ABA0A0NNV000AFEAO	DAN0060412S	KCNCCHD5316	198,1	208,4	7,2
DN 40	1" 1/2	ANSI 300	DM108201ABA0A0NNV000AFEAO	DAN0060412S	KCNCCHD5316	198,1	208,4	9,1
DN 50	2"	ANSI 150	DM109101ABA0A0NNV000AFGA0	DAN0106411S	KCNCCHD5317	237,1	230,3	12,0
DN 50	2"	ANSI 300	DM109201ABA0A0NNV000AFHA0	DAN0120411S	KCNCCHD5267	257,4	240,0	13,6
DN 65	2" 1/2	ANSI 150	DM110101ABA0A0NNV000AFHA0	DAN0120411S	KCNDDHD5318	257,4	250,0	20,5
DN 65	2" 1/2	ANSI 300	DM110201ABA0A0NNV000AFIA0	DAN0180411S	KCNDDHD5320	289,9	286,5	24,5
DN 80	3"	ANSI 150	DM111101ABA0A0NNV000AFIA0	DAN0180411S	KCNDDHD5319	289,9	287,5	26,5
DN 80	3"	ANSI 300	DM111201ABA0A0NNV000AFJA0	DAN0240411S	KCNDDHD5320	313,6	297,1	32,0
DN 100	4"	ANSI 150	DM112101ABA0A0NNV000AFKA0	DAN0360411S	KCNEEHD5321	339,3	329,0	43,0
DN 100	4"	ANSI 300	DM112201ABA0A0NNV000AFLA0	DAN0480411S	KCNEEHD5323	387,7	359,9	58,0

*Sfera non contenuta Protruding ball



MAGNUM WAFER - PN 16-40 ANSI 150-300
ACCIAIO INOX STAINLESS STEEL
CON ATTUATORE PNEUMATICO SR WITH SR PNEUMATIC ACTUATOR



CODICI ARTICOLI IN 316 E CF8M ACCIAIO INOX -PN- ITEM CODES IN 316 AND CF8M STAINLESS STEEL -PN-

MISURA SIZE		PN	CODICE ARTICOLO -316- ITEM CODE -316-	ATTUATORE ACTUATOR	KIT di montaggio Mounting KIT	N [mm]	H [mm]	Peso Kg Weight Kg
DN [mm]	[inch]							
DN 15	1/2"	PN 16	SM104E00ABA0A0NNV000AFCA0	SRN0015401S	KCNAHD5312	233,3	161,2	3,0
DN 15	1/2"	PN 25-40	SM104I00ABA0A0NNV000AFEAO	SRN0030402S	KCNACHD5324	259,0	172,4	4,0
DN 20	3/4"	PN 16-40	SM105F00ABA0A0NNV000AFEAO	SRN0030402S	KCNACHD5324	259,0	175,4	4,1
DN 25	1"	PN 16-40	SM106F00ABA0A0NNV000AFEAO	SRN0030402S	KCNBCHD5327	259,0	192,4	5,0
DN 32	1" 1/4	PN 16-40	SM107F00ABA0A0NNV000AFGAO	SRN0053401S	KCNBCHD5328	304,3	210,3	8,0
DN 32	1" 1/4	PN 16-40	SM107S00ABA0A0NNV000AFGAO *	SRN0053401S	KCNBCHD5328	304,3	210,3	8,0
DN 40	1" 1/2	PN 16-40	SM108F00ABA0A0NNV000AFHAO	SRN0060401S	KCNCCHD5317	360,8	225,0	10,3
DN 50	2"	PN 16	SM109E00ABA0A0NNV000AFIAO	SRN0090401S	KCNCDDHD5329	393,7	264,5	15,5
DN 50	2"	PN 25-40	SM109I00ABA0A0NNV000AFJAO	SRN0120401S	KCNCDDHD5329	409,6	268,1	16,8
DN 65	2" 1/2	PN 16	SM110E00ABA0A0NNV000AFJAO	SRN0120401S	KCNDHD5319	409,6	284,1	25,0
DN 65	2" 1/2	PN 25-40	SM110I00ABA0A0NNV000AFKAO	SRN0180401S	KCNDHD5319	474,0	291,0	27,0
DN 80	3"	PN 16	SM111E00ABA0A0NNV000AFKAO	SRN0180401S	KCNDHD5319	474,0	298,0	31,0
DN 80	3"	PN 25-40	SM111I00ABA0A0NNV000AFLAO	SRN0240401S	KCNDEHD5330	520,3	318,0	34,0
DN 100	4"	PN 16	SM112E00ABA0A0NNV000AFMAO	SRN0360401S	KCNEFDH5332	613,0	359,0	53,0
DN 100	4"	PN 25-40	SM112I00ABA0A0NNV000AFNAO	SRN0480401S	KCNEFDH5392	648,2	379,0	59,5
MISURA SIZE		PN	CODICE ARTICOLO -CF8M- ITEM CODE -CF8M-	ATTUATORE ACTUATOR	KIT di montaggio Mounting KIT	N [mm]	H [mm]	Peso Kg Weight Kg
DN [mm]	[inch]							
DN 50	2"	PN 16	SM109E00AEA0A0NNV000AFIAO	SRN0090401S	KCNCDDHD5329	393,7	264,5	12,9
DN 65	2" 1/2	PN 16	SM110E00AEA0A0NNV000AFJAO	SRN0120401S	KCNDHD5319	409,6	284,1	18,5
DN 80	3"	PN 16	SM111E00AEA0A0NNV000AFKAO	SRN0180401S	KCNDHD5319	474,0	298,0	23,5
DN 100	4"	PN 16	SM112E00AEA0A0NNV000AFMAO	SRN0360401S	KCNEFDH5332	613,0	359,0	39,3

CODICI ARTICOLI IN 316 ACCIAIO INOX -ANSI- ITEM CODES IN 316 STAINLESS STEEL -ANSI-

MISURA SIZE		ANSI	CODICE ARTICOLO -316- ITEM CODE -316-	ATTUATORE ACTUATOR	KIT di montaggio Mounting KIT	N [mm]	H [mm]	Peso Kg Weight Kg
DN [mm]	[inch]							
DN 15	1/2"	ANSI 150	SM104101ABA0A0NNV000AFCA0	SRN0015401S	KCNAHD5312	233,2	154,2	3,0
DN 15	1/2"	ANSI 300	SM104201ABA0A0NNV000AFEAO	SRN0030402S	KCNACHD5325	258,8	184,4	4,0
DN 20	3/4"	ANSI 150	SM105101ABA0A0NNV000AFEAO	SRN0030402S	KCNACHD5324	258,8	185,4	4,4
DN 20	3/4"	ANSI 300	SM105201ABA0A0NNV000AFEAO	SRN0030402S	KCNACHD5326	258,8	190,4	4,7
DN 25	1"	ANSI 150	SM106101ABA0A0NNV000AFEAO	SRN0030402S	KCNBCHD5327	258,8	192,4	5,1
DN 25	1"	ANSI 300	SM106201ABA0A0NNV000AFEAO	SRN0030402S	KCNBCHD5250	258,8	195,4	5,6
DN 32	1" 1/4	ANSI 150	SM107101ABA0A0NNV000AFGAO	SRN0053401S	KCNBCHD5328	304,2	210,3	7,5
DN 32	1" 1/4	ANSI 300	SM107201ABA0A0NNV000AFGAO	SRN0053401S	KCNBCHD5328	304,2	210,3	8,0
DN 40	1" 1/2	ANSI 150	SM108101ABA0A0NNV000AFHAO	SRN0060401S	KCNCCHD5317	338,5	225,0	9,3
DN 40	1" 1/2	ANSI 300	SM108201ABA0A0NNV000AFHAO	SRN0060401S	KCNCCHD5317	338,5	225,0	11,2
DN 50	2"	ANSI 150	SM109101ABA0A0NNV000AFIAO	SRN0090401S	KCNCDDHD5329	393,7	264,5	16,1
DN 50	2"	ANSI 300	SM109201ABA0A0NNV000AFJAO	SRN0120401S	KCNCDDHD5268	409,6	274,1	18,3
DN 65	2" 1/2	ANSI 150	SM110101ABA0A0NNV000AFJAO	SRN0120401S	KCNDHD5319	409,6	284,1	24,3
DN 65	2" 1/2	ANSI 300	SM110201ABA0A0NNV000AFKAO	SRN0180401S	KCNDHD5320	474,0	297,0	29,2
DN 80	3"	ANSI 150	SM111101ABA0A0NNV000AFKAO	SRN0180401S	KCNDHD5319	474,0	298,0	30,4
DN 80	3"	ANSI 300	SM111201ABA0A0NNV000AFLAO	SRN0240401S	KCNDEHD5331	520,5	324,0	37,7
DN 100	4"	ANSI 150	SM112101ABA0A0NNV000AFMAO	SRN0360401S	KCNEFDH5332	613,0	359,0	53,1
DN 100	4"	ANSI 300	SM112201ABA0A0NNV000AFNAO	SRN0480401S	KCNEFDH5334	648,2	393,0	72,4

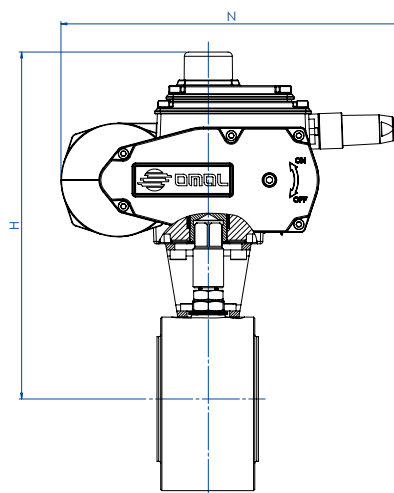
*Sfera non contenuta Protruding ball



MAGNUM WAFER - PN 16-40 ANSI 150-300

ACCIAIO INOX STAINLESS STEEL

CON ATTUATORE ELETTRICO WITH ELECTRIC ACTUATOR



CODICI ARTICOLI IN 316 E CF8M ACCIAIO INOX -PN- ITEM CODES IN 316 AND CF8M STAINLESS STEEL -PN-

MISURA SIZE		PN	CODICE ARTICOLO -316- ITEM CODE -316-	ATTUATORE ACTUATOR	KIT di montaggio Mounting KIT	N [mm]	H [mm]	Peso Kg Weight Kg
DN [mm]	[inch]							
DN 15	1/2"	PN 16-40	EM104F00ABA0A0NNV000AMEGO	EA0035A5C000	KCNACHD5324	250,0	229,0	5,0
DN 20	3/4"	PN 16-40	EM105F00ABA0A0NNV000AMEGO	EA0035A5C000	KCNACHD5324	250,0	232,0	5,4
DN 25	1"	PN 16-40	EM106F00ABA0A0NNV000AMEGO	EA0035A5C000	KCNBCHD5327	250,0	239,0	6,1
DN 32	1" 1/4	PN 16-40	EM107F00ABA0A0NNV000AMGGO	EA0070A5C000	KCNBCHD5327	250,0	244,0	7,9
DN 32	1" 1/4	PN 16-40	EM107S00ABA0A0NNV000AMGGO *	EA0070A5C000	KCNBCHD5327	250,0	244,0	7,6
DN 40	1" 1/2	PN 16-40	EM108F00ABA0A0NNV000AMGGO	EA0070A5C000	KCNCCHD5316	250,0	255,0	9,5
DN 50	2"	PN 16-40	EM109F00ABA0A0NNV000AMIGO	EA0130A5C000	KCNCCHD5317	280,0	284,5	16,4
DN 65	2" 1/2	PN 16	EM110E00ABA0A0NNV000AMIGO	EA0130A5C000	KCNDDHD5318	280,0	300,5	23,7
DN 65	2" 1/2	PN 25-40	EM110I00ABA0A0NNV000AMKGO	EA0240A5C000	KCNDDHD5319	280,0	300,5	24,0
DN 80	3"	PN 16-40	EM111F00ABA0A0NNV000AMKGO	EA0240A5C000	KCNDDHD5319	280,0	307,5	27,5
DN 100	4"	PN 16	EM112E00ABA0A0NNV000AMNAO	AE160040	KCNEEHV5336	256,5	338,5	44,5
DN 100	4"	PN 25-40	EM112I00ABA0A0NNV000AMNAO	AE160040	KCNEEHV5337	256,5	352,5	49,5
MISURA SIZE		PN	CODICE ARTICOLO -CF8M- ITEM CODE -CF8M-	ATTUATORE ACTUATOR	KIT di montaggio Mounting KIT	N [mm]	H [mm]	Peso Kg Weight Kg
DN [mm]	[inch]							
DN 50	2"	PN 16	EM109E00AEA0A0NNV000AMIGO	EA0130A5C000	KCNCCHD5317	280,0	284,5	13,8
DN 65	2" 1/2	PN 16	EM110E00AEA0A0NNV000AMIGO	EA0130A5C000	KCNDDHD5318	280,0	300,5	17,2
DN 80	3"	PN 16	EM111E00AEA0A0NNV000AMKGO	EA0240A5C000	KCNDDHD5319	280,0	307,5	20
DN 100	4"	PN 16	EM112E00AEA0A0NNV000AMNAO	AE160040	KCNEEHV5336	256,5	338,5	30,8

CODICI ARTICOLI IN 316 ACCIAIO INOX -ANSI- ITEM CODES IN 316 STAINLESS STEEL -ANSI-

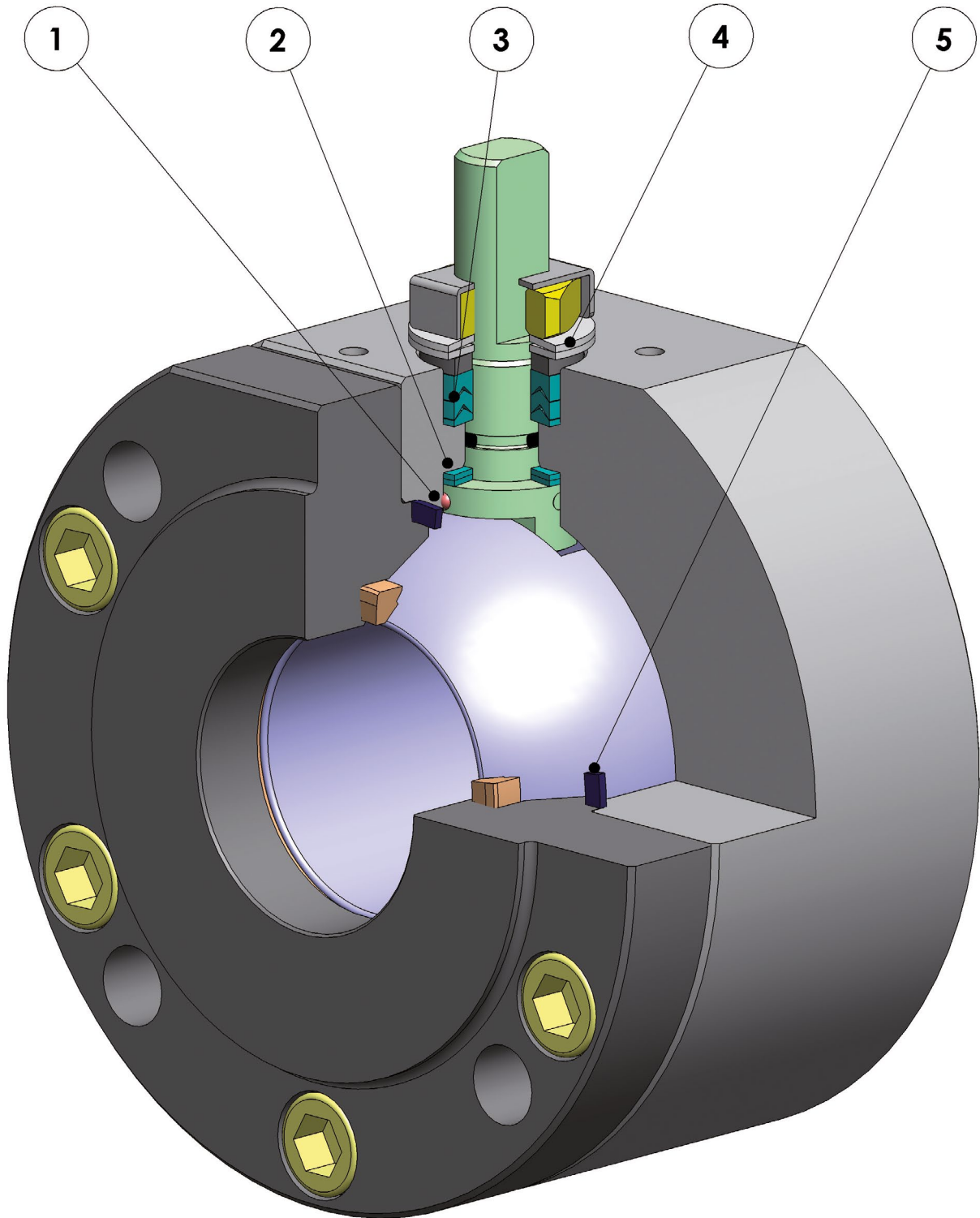
MISURA SIZE		ANSI	CODICE ARTICOLO -316- ITEM CODE -316-	ATTUATORE ACTUATOR	KIT di montaggio Mounting KIT	N [mm]	H [mm]	Peso Kg Weight Kg
DN [mm]	[inch]							
DN 15	1/2"	ANSI 150	EM104101ABA0A0NNV000AMEGO	EA0035A5C000	KCNACHD5324	250,0	229,0	5,0
DN 15	1/2"	ANSI 300	EM104201ABA0A0NNV000AMEGO	EA0035A5C000	KCNACHD5325	250,0	231,0	5,0
DN 20	3/4"	ANSI 150	EM105101ABA0A0NNV000AMEGO	EA0035A5C000	KCNACHD5324	250,0	232,0	5,4
DN 20	3/4"	ANSI 300	EM105201ABA0A0NNV000AMEGO	EA0035A5C000	KCNACHD5326	250,0	237,0	5,7
DN 25	1"	ANSI 150	EM106101ABA0A0NNV000AMEGO	EA0035A5C000	KCNBCHD5327	250,0	239,0	6,1
DN 25	1"	ANSI 300	EM106201ABA0A0NNV000AMEGO	EA0035A5C000	KCNBCHD5250	250,0	242,0	6,5
DN 32	1" 1/4	ANSI 150	EM107101ABA0A0NNV000AMGGO	EA0070A5C000	KCNBCHD5327	250,0	244,0	7,1
DN 32	1" 1/4	ANSI 300	EM107201ABA0A0NNV000AMGGO	EA0070A5C000	KCNBCHD5327	250,0	244,0	7,6
DN 40	1" 1/2	ANSI 150	EM108101ABA0A0NNV000AMGGO	EA0070A5C000	KCNCCHD5316	250,0	255,0	8,8
DN 40	1" 1/2	ANSI 300	EM108201ABA0A0NNV000AMGGO	EA0070A5C000	KCNCCHD5316	250,0	255,0	10,8
DN 50	2"	ANSI 150	EM109101ABA0A0NNV000AMIGO	EA0130A5C000	KCNCCHD5317	280,0	284,5	16,6
DN 50	2"	ANSI 300	EM109201ABA0A0NNV000AMIGO	EA0130A5C000	KCNCCHD5267	280,0	290,5	17,9
DN 65	2" 1/2	ANSI 150	EM110101ABA0A0NNV000AMIGO	EA0130A5C000	KCNDDHD5318	280,0	300,5	24,0
DN 65	2" 1/2	ANSI 300	EM110201ABA0A0NNV000AMKGO	EA0240A5C000	KCNDDHD5320	280,0	306,5	26,1
DN 80	3"	ANSI 150	EM111101ABA0A0NNV000AMKGO	EA0240A5C000	KCNDDHD5319	280,0	307,5	27,9
DN 80	3"	ANSI 300	EM111201ABA0A0NNV000AMKGO	EA0240A5C000	KCNDDHD5320	280,0	313,5	31,5
DN 100	4"	ANSI 150	EM112101ABA0A0NNV000AMNAO	AE160040	KCNEEHV5336	256,5	338,5	44,5
DN 100	4"	ANSI 300	EM112201ABA0A0NNV000AMNAO	AE160040	KCNEEHV5338	256,5	352,5	57,0

*Sfera non contenuta *Protruding ball*

Articoli disponibili anche con attuatore modulante *Items available also with modulating actuator*



MAGNUM SPLIT WAFER



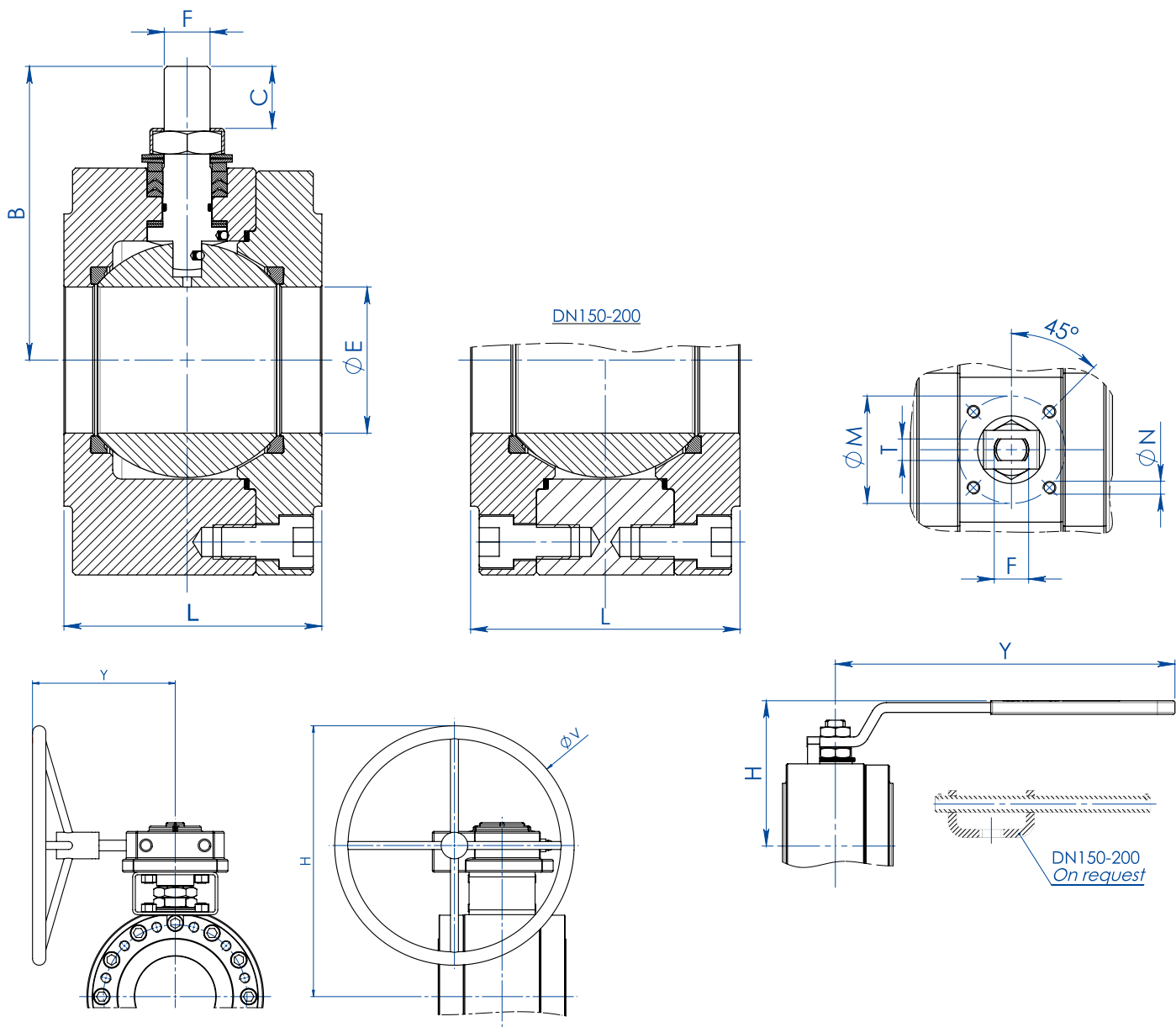


FEATURES & BENEFITS

1	Antistatic device (continuità elettrica tra sfera, stelo e corpo) <i>Antistatic device ((electrical continuity between ball, stem and body)</i>	Si evitano cariche elettrostatiche che potrebbero essere causa d'innescio in ambienti infiammabili e/o esplosivi <i>Static electricity is avoided which can cause sparks and fire in an inflammable/explosive environment</i>
		Sicurezza garantita del contatto durante tutta la vita della valvola <i>Contact safety throughout the entire life of the valve</i>
2	Doppio anello antifrizione <i>Double antifriction washer</i>	Garantisce una minor coppia di azionamento della valvola <i>Less Breakaway Torque is granted</i>
		Minor usura rispetto all'esecuzione con singolo anello <i>Less wear comparing with the execution with the single washer</i>
3	Pacco guarnizioni a "v" con 3 guarnizioni più o-ring <i>"V" seals pack; 3 seals + o-ring</i>	Si garantisce una perfetta tenuta anche dopo un numero elevato di cicli <i>It ensures a perfect tightness even after a high number of cycles</i>
4	Molle a tazza sulla tenuta dello stelo <i>Spring washer on the shaft seal</i>	Garantiscono il recupero dei giochi dovuti all'usura causata dal movimento semiorbitario dell'albero evitando perdite verso l'esterno <i>Guarantee of the recovery of the gap due to the wear caused by the rotational movement of the shaft avoiding leakage towards the outside part.</i>
		Consentono di mantenere energizzate le guarnizioni tipo "chevron" (a V), evitando perdite verso l'esterno, a fronte di notevoli escursioni termiche <i>Allow to maintain energized the "chevron" seals (V), thus avoiding any leakage to the outside, against huge temperature excursions</i>
5	Tenuta elasticizzata in grafite <i>Stretch Graphite seal</i>	Garantisce una tenuta verso l'esterno indipendentemente dalle escursioni termiche a cui è sottoposta la valvola <i>Tightness towards outside is granted, independently by the thermal excursions to which the valve is subjected</i>
	Maggiore precisione nell'allineamento degli assi grazie alla lavorazione dal grezzo al finito con un unico posizionamento <i>Greater precision in the alignment of axes due to a unique positioning in the process machining from raw material to finished valve</i>	Maggior vita della valvola stessa <i>Longer lifetime of the valve</i>
		Minor coppia di azionamento <i>Less breakaway torque</i>
	Corpo valvola in acciaio al carbonio realizzato con materiale normalizzato certificato NACE in esecuzione standard <i>Valve body in carbon steel made with NACE certified material as standard</i>	Garantisce una maggior resistenza alla corrosione <i>Greater corrosion resistance</i>
		Maggior duttilità del materiale <i>Greater ductility of the material</i>
	Processo produttivo interamente eseguito in OMAL <i>100% in-house manufacturing process technology</i>	Massimo controllo in tutte le fasi di lavorazione <i>Maximum control and accuracy in all the stages of the manufacturing process</i>
		Possibilità di fornire rapidamente esecuzioni speciali richieste dal cliente <i>Flexibility in supply quickly special executions requested by customers</i>
	Certificato "Fire Safe" <i>"Fire safe" Certificate</i>	Garantisce la tenuta della valvola anche in caso di incendio <i>Guarantees the tightness of the valve also in case of fire</i>
	Certificato ATEX <i>ATEX Certificate</i>	Ne consente l'installazione in presenza di ambiente potenzialmente esplosivo <i>Installation is possible in a potential explosive environment</i>
	Certificazione "TA LUFT fugitive emission" <i>TA LUFT fugitive emission Certificate</i>	Garantisce un elevato grado di sicurezza della tenuta stelo verso l'esterno <i>High level of safety of the tightness towards the outside is granted</i>
	Certificato PED <i>PED Certificate</i>	Piena conformità alle norme di sicurezza europee per i dispositivi in pressione <i>Full compliance with European Safety Standards for Pressure Equipment</i>
	Certificato fino a SIL 3 <i>UP to SIL 3 certified</i>	Elevato livello di sicurezza funzionale <i>Guarantee of the high level of functional safety</i>



MAGNUM SPLIT WAFER PN 16-40 ANSI 150-300

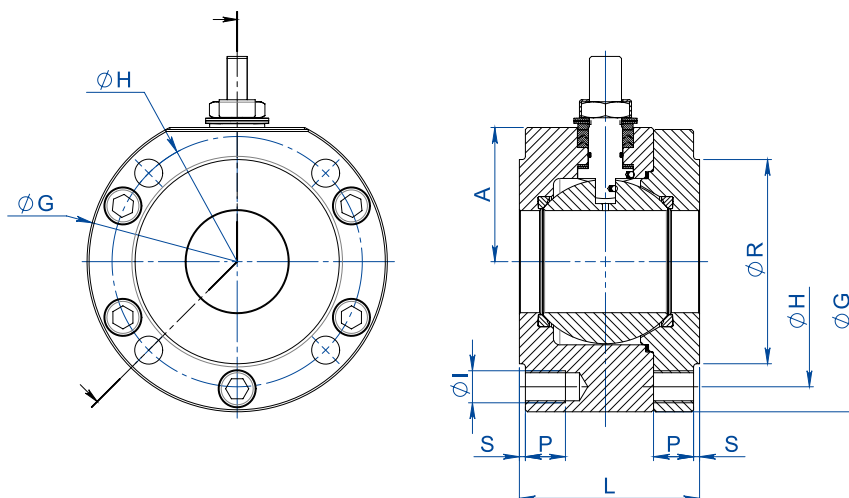


MISURA SIZE		DIMENSIONI DIMENSIONS											
DN [mm]	[inch]	ØE	L	B	C	ATT.ISO	ØM	ØN	F/T	H	Y	ØV	KIT LEVA LEVER KIT
DN 15	1/2"	13	53	52	10	F03	36	M5	10/6	71	140	---	KLV58004
DN 20	3/4"	19	53	55	10	F03	36	M5	10/6	73	140	---	KLV58004
DN 25	1"	25	58	68	15	F04	42	M5	12/8	87	150	---	KLV58006
DN 32	1" 1/4	32	65	73	15	F04	42	M5	12/8	91	150	---	KLV58006
DN 40	1" 1/2	38	79	93	21	F05	50	M6	16/10	108	275	---	KLV58008
DN 50	2"	51	90	102	21	F05	50	M6	16/10	118	275	---	KLV58008
DN 65	2" 1/2	64	107	130,5	28	F07	70	M8	22/14	143	350	---	KLV58010
DN 80	3"	76	120	137,5	28	F07	70	M8	22/14	150	350	---	KLV58010
DN 100	4"	102	167	172	35	F10	102	M10	30/18	198	450	---	KLV58012
DN 125	5"	118	180	182	35	F10	102	M10	30/18	208	450	---	KLV58012
DN 150 PN16-ANSI150 (*)	6"	152	240	227,5	40,5	F14	140	M16	45/30	522	326	400	---
DN 150 PN25-40 - ANSI300	6"	152	240	227,5	40,5	F14	140	M16	45/30	522	347,5	600	---
DN 200 PN16-PN25-ANSI150 (*)	8"	203	314	274	44,8	F14	140	M16	52/35	516	347	500	---
DN 200 PN40	8"	203	314	274	44,8	F14	140	M16	52/35	614	348	500	---

Versione STANDARD con riduttore manuale per DN150 e DN200. STANDARD version with manual gearbox for DN150 and DN200.
 (*) A RICHIESTA versione con leva. ON REQUEST version with manual lever.



MAGNUM SPLIT WAFER PN 16-40 ANSI 150-300



MISURA SIZE		DIMENSIONI DIMENSIONS -PN-											
DN [mm]	[inch]	PN	A	ØG	ØR	S	ØH	N°FORI HOLES N°	ØI	P	Kg	L	KIT GUARNIZIONI SEALS KIT
DN 15	1/2"	PN 16-40	32	90	45	2	65	4	M12	15	2,1	53	KGBV485040
DN 20	3/4"	PN 16-40	35	100	58	2	75	4	M12	14	2,4	53	KGBV485050
DN 25	1"	PN 16-40	42	110	68	2	85	4	M12	16	3,5	58	KGBV485060
DN 32	1" 1/4	PN 16-40	47	130	78	2	100	4	M16	20	5,2	65	KGBV485070
DN 40	1" 1/2	PN 16-40	58	140	88	3	110	4	M16	20	7,5	79	KGBV485080
DN 50	2"	PN 16-40	67	150	102	3	125	4	M16	20	9,7	90	KGBV485090
DN 65	2" 1/2	PN 16	83	178	122	3	145	4	M16	20	16,4	107	KGBV485100
DN 65	2" 1/2	PN 25-40	83	178	122	3	145	8	M16	20	16,1	107	KGBV485100
DN 80	3"	PN 16-40	90	190	138	3	160	8	M16	20	20,2	120	KGBV485110
DN 100	4"	PN 16	107	235	158	3	180	8	M16	20	40,4	167	KGBV485120
DN 100	4"	PN 25-40	107	235	162	3	190	8	M20	25	40,5	167	KGBV485120
DN 125	5"	PN 16	117	250	188	3	210	8	M16	25	48,2	180	KGBV485130
DN 125	5"	PN 25-40	125	270	188	3	220	8	M24	30	57,9	180	KGBV485130
DN 150(*)	6"	PN 16	154	332	212	3	240	8	M20	25	109,3	240	KGBV485140
DN 150	6"	PN 25-40	154	332	218	3	250	8	M24	24	111,5	240	KGBV48514D
DN 200(*)	8"	PN 16	188	396	268	3	295	12	M20	30	191,8	314	KGBV485150
DN 200(*)	8"	PN 25	188	396	278	3	310	12	M24	30	196,5	314	KGBV485150
DN 200	8"	PN 40	195	408	285	3	320	12	M27	30	220	314	KGBV48515D

MISURA SIZE		DIMENSIONI DIMENSIONS -ANSI-											
DN [mm]	[inch]	ANSI	A	ØG	ØR	S	ØH	N°FORI HOLES N°	ØI	P	Kg	L	KIT GUARNIZIONI SEALS KIT
DN 15	1/2"	ANSI 150	32	90	35,1	1,6	60,5	4	1/2"UNC	16	2,1	53	KGBV485040
DN 15	1/2"	ANSI 300	34	90	35,1	1,6	66,5	4	1/2"UNC	16	2,1	53	KGBV485040
DN 20	3/4"	ANSI 150	35	100	42,9	1,6	69,8	4	1/2"UNC	16	2,5	53	KGBV485050
DN 20	3/4"	ANSI 300	40	110	42,9	1,6	82,6	4	5/8"UNC	16	3,1	53	KGBV485050
DN 25	1"	ANSI 150	42	110	50,8	1,6	79,2	4	1/2"UNC	16	3,4	58	KGBV485060
DN 25	1"	ANSI 300	45	118	50,8	1,6	88,9	4	5/8"UNC	20	3,8	58	KGBV485060
DN 32	1" 1/4	ANSI 150	47	130	63,5	1,6	89	4	1/2"UNC	20	5,2	65	KGBV485070
DN 32	1" 1/4	ANSI 300	47	130	63,5	1,6	98,6	4	5/8"UNC	20	5,2	65	KGBV485070
DN 40	1" 1/2	ANSI 150	58	140	73	1,6	98,6	4	1/2"UNC	20	7,5	79	KGBV485080
DN 40	1" 1/2	ANSI 300	58	150	73	1,6	114,3	4	3/4"UNC	22	8,6	79	KGBV485080
DN 50	2"	ANSI 150	67	150	91,9	1,6	120,6	4	5/8"UNC	20	9,7	90	KGBV485090
DN 50	2"	ANSI 300	73	160	91,9	1,6	127,0	8	5/8"UNC	20	11,2	90	KGBV485090
DN 65	2" 1/2	ANSI 150	83	178	104,6	1,6	139,7	4	5/8"UNC	20	16,5	107	KGBV485100
DN 65	2" 1/2	ANSI 300	89	190	104,6	1,6	149,4	8	3/4"UNC	25	18,7	107	KGBV485100
DN 80	3"	ANSI 150	90	190	127	1,6	152,4	4	5/8"UNC	20	20,7	120	KGBV485110
DN 80	3"	ANSI 300	96	205	127	1,6	168,1	8	3/4"UNC	25	24,0	120	KGBV485110
DN 100	4"	ANSI 150	107	235	157,2	1,6	190,5	8	5/8"UNC	20	40,7	167	KGBV485120
DN 100	4"	ANSI 300	115	250	157,2	1,6	200,2	8	3/4"UNC	25	48,2	167	KGBV485120
DN 125	5"	ANSI 150	117	250	185,7	1,6	215,9	8	3/4"UNC	30	48,3	180	KGBV485130
DN 150(*)	6"	ANSI 150	154	332	215,9	1,6	241,3	8	3/4"UNC	25	110,3	240	KGBV485140
DN 150	6"	ANSI 300	154	332	215,9	1,6	269,7	12	3/4"UNC	25	112	240	KGBV48514D
DN 200(*)	8"	ANSI 150	188	396	269,7	1,6	298,4	8	3/4"UNC	30	193,7	314	KGBV485150

Versione STANDARD con riduttore manuale per DN150 e DN200. STANDARD version with manual gearbox for DN150 and DN200.

(*) A RICHIESTA versione con leva. ON REQUEST version with manual lever.



MAGNUM SPLIT WAFER PN 16-40 ANSI 150-300

DIAGRAMMA PRESSIONE/TEMPERATURA PER VALVOLE CON CORPO IN ACCIAIO AL CARBONIO TEMPERATURE/PRESSURE DIAGRAM FOR CARBON STEEL VALVE

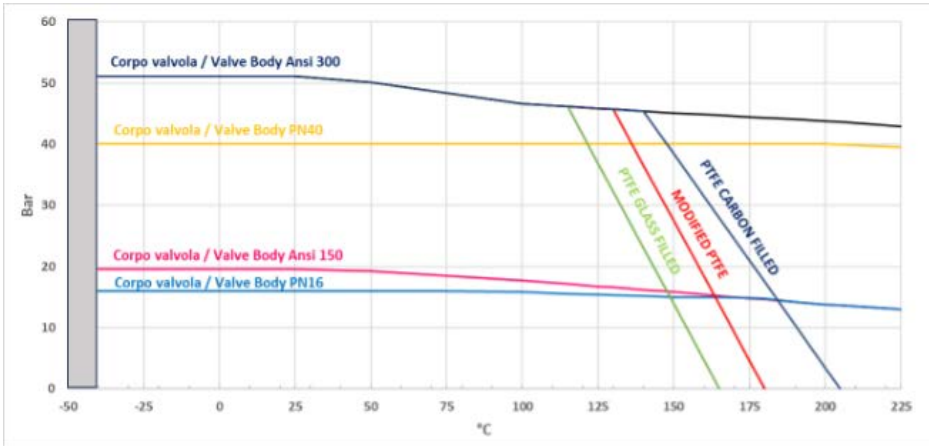


DIAGRAMMA PRESSIONE/TEMPERATURA PER VALVOLE CON CORPO IN ACCIAIO INOX TEMPERATURE/PRESSURE DIAGRAM FOR STAINLESS STEEL VALVE

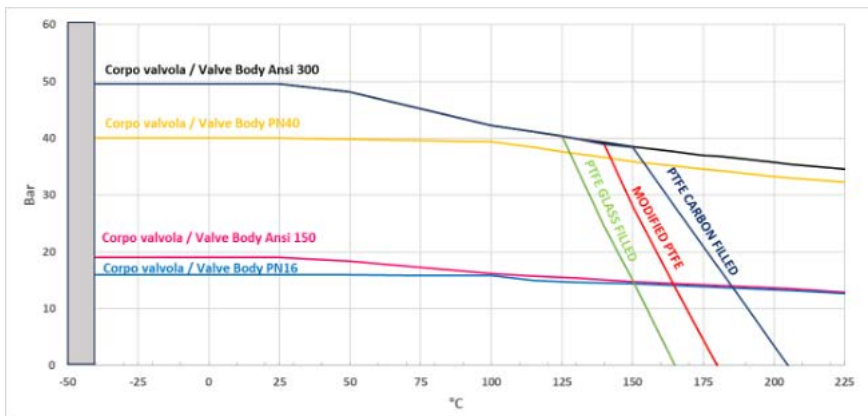
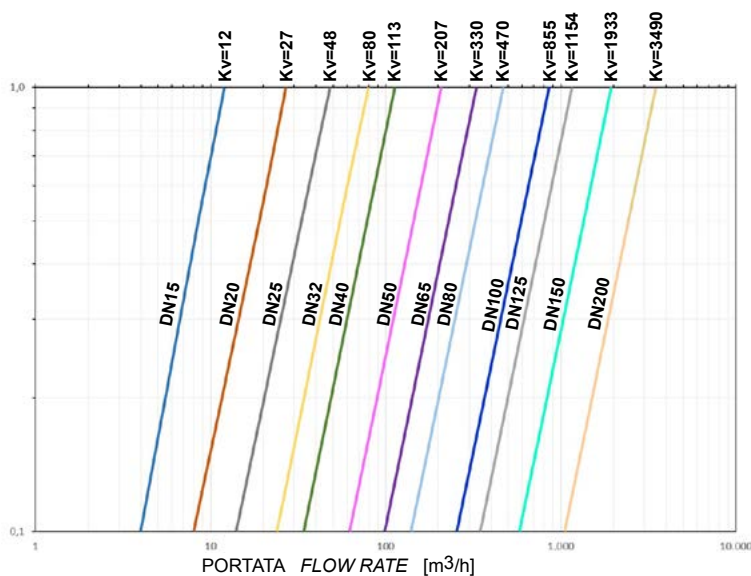


DIAGRAMMA PORTATA/PERDITA DI CARICO E COEFFICIENTE NOMINALE Kv FLOW/PRESSURE LOSS DIAGRAM AND Kv NOMINAL COEFFICIENT



Il valore Kv è il valore di portata in m³/h (con acqua a 15°C) che provoca la caduta di pressione di 1 bar.

Kv is the coefficient, expressed in m³/h (with water at 15°C) causing a pressure loss of 1 bar.



MAGNUM SPLIT WAFER PN 16-40 ANSI 150-300

COPPIE DI SPUNTO IN Nm CON SEGGIO IN TFM 1600 E CON FLUIDO INTERCETTATO ACQUA (*) BREAKAWAY TORQUE IN Nm WITH TFM 1600 SEAT AND WATER INTERCEPTED FLUID (*)

MISURA SIZE	DN 15	DN 20	DN 25	DN 32	DN 40	DN 50	DN 65	DN 80	DN 100	DN 125	DN 150	DN 200
0 bar												
PN16 bar	8	13	18	27	37	61	80	120	220	270	450	850
PN25 bar	9,5	15	20	29	40	67	95	130	240	383		
PN40 bar	11	17	21	31	41	75	110	165	290	510		
Ansi 150-20 bar	9	14	19	28	38	65	90	128	225	360	480	910
Ansi 300-50 bar	12	19	21	32	42	80	120	170	300	570		

(*): qualora si intercettino fluidi sgrassanti e/o contenenti particolato solido le coppie di manovra possono risultare maggiorate rispetto a quanto riportato in tabella.

(*): *If not lubricated fluids and/or fluids containing solid particles are intercepted, torques could be higher than those in the table.*

I valori della coppia in Nm possono variare in funzione della temperatura e del fluido. Considerare un fattore di sicurezza pari a 1.4. Con frequenti cicli di apertura e chiusura la coppia di manovra può diminuire sensibilmente rispetto a quella iniziale.

Torque can vary depending on temperature and type of fluid, a safety factor 1.4 must be applied. Torque can drop on high frequency of operation.

Il dimensionamento degli attuatori pneumatici è stato fatto considerando una pressione minima di alimentazione pari a 5,6 barg.

The sizing of pneumatic actuators has been done considering a minimum supply pressure of 5,6 barg.



MAGNUM SPLIT WAFER PN 16-40 ANSI 150-300

ACCIAIO AL CARBONIO **CARBON STEEL**



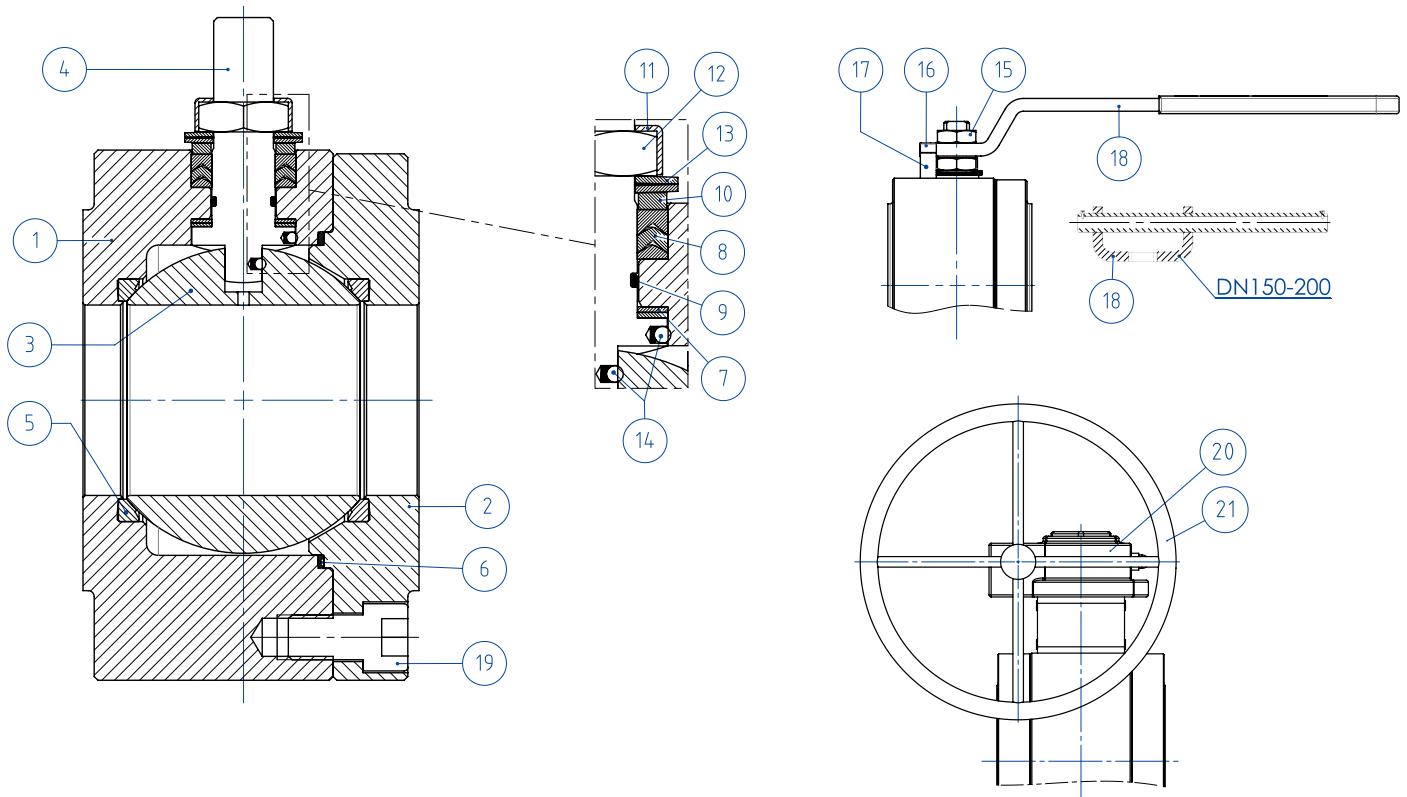
<p>ESECUZIONE STANDARD</p> <ul style="list-style-type: none"> • Sfera flottante contenuta, passaggio totale. • Tenuta soft-seat PTFE Modificato. • Norme per flange d'attacco EN 1092-1; ASME B16.5. • Temperature di utilizzo vedi diagramma pressione temperatura. • Classe di pressione: PN16-40; ANSI 150-300. • Classe di tenuta: EN12266-1 rate A. • Fluido intercettato: aria, acqua, gas, prodotti petroliferi. • Antistatic device EN12266-2. • Tenuta stelo: pacco a V di serie in PTFE Modificato. • Tenuta addizionale su stelo con O-ring FKM. • Stelo anti Blow-out. • Foratura piano per attuatore a norma ISO 5211. • Angolo di chiusura >7°. • Trattamento superficiale brunitura. 	<p>STANDARD FEATURES</p> <ul style="list-style-type: none"> • No protruding floating ball, full bore. • Soft-seat seal Modified PTFE. • Standard for connecting flanges: EN 1092-1; ASME B16.5. • Operating temperature see temperature pressure diagram. • Pressure class: PN16-40; ANSI 150-300. • Tightness Class: EN12266-1 rate A. • Intercepted fluid: air, water, gas, petroleum and petrochemical products. • Antistatic device EN12266-2. • Stem seal: Modified PTFE V-pack. • Additional seal on stem with FKM O-ring. • Anti Blow-out stem. • Actuator connection as per standard ISO 5211. • Closing angle >7°. • Superficial treatment: blueing.
<p>ESECUZIONI A RICHIESTA</p> <ul style="list-style-type: none"> • Esecuzione per temperatura -40 C° in LF2. • Per altri tipi di flangiature contattare il nostro ufficio commerciale. • Guarnizioni di tenuta in: PTFE caricato vetro (PTFE-GF), PTFE caricato carbografite (PTFE-CF). Per altri tipi di materiale contattare il nostro ufficio commerciale. • Esecuzione monodirezionale con foro di compensazione della pressione nella sfera. • Leva inox. • Dadi e molle stelo inox. • Per esecuzioni con materiali (corpo/sfera/stelo) diversi dallo standard contattare il nostro ufficio commerciale. • Trattamento superficiale: zincatura bianca, verniciatura epossidica, (per altri trattamenti contattare il nostro ufficio commerciale). • Marcatura e certificato ATEX A RICHIESTA. 	<p>FEATURES ON REQUEST</p> <ul style="list-style-type: none"> • LF2 carbon steel for low temperature execution (-40 C°). • For other flange types please contact our sales department. • Sealing in: PTFE reinforced with glass (PTFE-GF), PTFE reinforced with carbon-graphite (PTFE-CF). For other types of materials please contact our sales department. • Mono-directional version with pressure-relief hole in the ball. • Stainless steel lever. • For versions in materials different from the standard (body, ball, stem), please contact our sales department. • Stainless steel Stem nuts and springs. • Superficial treatment: white zinc coating, epoxy coating. • For other coating please contact our sales department. • ATEX marking and certificate ON REQUEST.
<p>CERTIFICAZIONI</p> <ul style="list-style-type: none"> • Conforme alla direttiva Europea 2014/68/EU PED; Fugitive Emission ISO 15848 (ISO FE BH-C03-SSA 0); TA-LUFT VDI 2440; FIRE SAFE: ISO 10497 Third ed. 2010 / API 607 Fifth ed. 2005. • Livello di sicurezza funzionale fino a SIL 3 in accordo a IEC 61508. • Conforme alla direttiva ATEX 2014/34/UE, certificato ATEX A RICHIESTA. 	<p>CERTIFICATIONS</p> <ul style="list-style-type: none"> • In compliance with European Directive 2014/68/EU PED; Fugitive Emission ISO 15848 (ISO FE BH-C03-SSA 0); TA-LUFT VDI 2440; FIRE SAFE: ISO 10497 Third ed. 2010 / API 607 Fifth ed. 2005. • Safety integrity level up to SIL 3 according to the IEC 61508. • In compliance with ATEX 2014/34/EU Directive, ATEX certificate ON REQUEST.
<p>NORME DI PROGETTAZIONE</p> <ul style="list-style-type: none"> • Spessori corpo in accordo a: ASME B16.34, ASME VIII div.1, EN 12516. • Materiali e rating in accordo ad ASME B16.34 per valvole ANSI ed EN 12516 per valvole PN. 	<p>ENGINEERING STANDARDS</p> <ul style="list-style-type: none"> • Body thickness in compliance with: ASME B16.34, ASME VIII div.1, EN 12516. • Materials and rating in compliance with ASME B16.34 for ANSI valves and EN 12516 for PN valves.



MAGNUM SPLIT WAFER - PN 16-40 ANSI 150-300

ACCIAIO AL CARBONIO CARBON STEEL

TABELLA DEI MATERIALI MATERIALS TABLE



MATERIALI MATERIALS

SPLIT WAFER PN16-40 ANSI 150-300 acciaio al carbonio carbon steel

N°	Descrizione Description	A105 Carbon steel	A350 LF2 Carbon steel
1	Corpo Body	ASTM A105	ASTM A350 LF2
2	Ghiera Ring nut		
3	Sfera Ball	ASTM A351 CF8(*) (1.4308/Gx5CrNi19-10)	
4	Stelo Stem	ASTM A182F6A / A479 TP410 (**)	
5*	Seggio Seat	PTFE Modificato Modified PTFE (.) (2)	
6*	Guarnizione corpo ghiera Body-ring nut gasket	GRAFOIL	
7*	Tenuta inferiore stelo Stem lower sealing	PTFE Modificato Modified PTFE (.)	
8*	Pacco a V Chevron rings	PTFE Modificato Modified PTFE (.)	
9*	O-ring stelo Stem o-ring	FKM (.)	
10	Anello premiguarnizione Packing gland ring	Acciaio al carbonio zincato Carbon steel galvanized (x) (1)	
11	Piastra blocca dado Stop nut plate	304 S.S.	
12	Dado stelo Stem nut	Acciaio al carbonio zincato Carbon steel galvanized (x)	
13	Molle a tazza Springs washer	Acciaio al carbonio zincato Carbon steel galvanized (xx)	
14	Dispositivo antistatico Antistatic device	316 S.S.	
15	Controdado Lock nut	Acciaio al carbonio zincato Carbon steel galvanized (x)	
16	Vite di fermo Holder screw	A2-70 (304 S.S.)	
17	Fermo di posizione Holder screw	Acciaio al carbonio zincato Carbon steel galvanized (x)	
18	Leva Lever	Fe37 zincato - Galvanized (x)	
19	Vite corpo-ghiera Body-ring nut screw	8.8 Galvanized	A2.70 (304 S.S.)
20	Riduttore Gear box	Ghisa (verniciato) Cast iron (painted)	
21	Volantino Handwheel	Acciaio al carbonio verniciato Carbon steel painted	

* Componenti del kit di guarnizioni Components of seals kit

A richiesta disponibile in: Available on request:

(*): A351 CF8M

(**): A564 TP.630 (17-4PH)

(x): 304 s.s.

(xx): 301 s.s.

(1): per DN150 & 200 disponibile solo in 304 S.S.

(1): for DN150 & 200 available only in 304 S.S.

(2) DEVLON per DN150 PN25-40 - ANSI300, DN200 PN40

(2) DEVLON for DN150 PN25-40 - ANSI300, DN200 PN40

(.): Altri materiali disponibili a richiesta Other materials available on request

**MAGNUM SPLIT WAFER - PN 16-40 ANSI 150-300****ACCIAIO AL CARBONIO CARBON STEEL****ASSE LIBERO - CON LEVA - CON RIDUTTORE FREE SHAFT - WITH LEVER - WITH GEARBOX****CODICI VALVOLE IN ACCIAIO AL CARBONIO: ASSE LIBERO (V_) - CON LEVA (L_) - CON RIDUTTORE (R_) -PN-
CARBON STEEL VALVE CODE: FREE SHAFT (V_) - WITH LEVER (L_) - WITH GEARBOX (R_) -PN-**

MISURA SIZE		PN	A105 Carbon steel		LF2 Carbon steel	
DN [mm]	[inch]					
DN 15	1/2"	PN 16-40	V/LM404F00CAB0BBQNV00B	V/LM404F00CBB0BAQNV00B		
DN 20	3/4"	PN 16-40	V/LM405F00CAB0BBQNV00B	V/LM405F00CBB0BAQNV00B		
DN 25	1"	PN 16-40	V/LM406F00CAB0BBQNV00B	V/LM406F00CBB0BAQNV00B		
DN 32	1" 1/4	PN 16-40	V/LM407F00CAB0BBQNV00B	V/LM407F00CBB0BAQNV00B		
DN 40	1" 1/2	PN 16-40	V/LM408F00CAB0BBQNV00B	V/LM408F00CBB0BAQNV00B		
DN 50	2"	PN 16-40	V/LM409F00CAB0BBQNV00B	V/LM409F00CBB0BAQNV00B		
DN 65	2" 1/2	PN 16	V/LM410E00CAB0BBQNV00B	V/LM410E00CBB0BAQNV00B		
DN 65	2" 1/2	PN 25-40	V/LM410I00CAB0BBQNV00B	V/LM410I00CBB0BAQNV00B		
DN 80	3"	PN 16-40	V/LM411F00CAB0BBQNV00B	V/LM411F00CBB0BAQNV00B		
DN 100	4"	PN 16	V/LM412E00CAB0BBQNV00B	V/LM412E00CBB0BAQNV00B		
DN 100	4"	PN 25-40	V/LM412I00CAB0BBQNV00B	V/LM412I00CBB0BAQNV00B		
DN 125	5"	PN 16	V/LM413E00CAB0BBQNV00B	V/LM413E00CBB0BAQNV00B		
DN 125	5"	PN 25-40	V/LM413I00CAB0BBQNV00B	V/LM413I00CBB0BAQNV00B		
DN150(*)	6"	PN 16	V/RM414E00CAB0BBQNV00B	V/RM414E00CBB0BAQNV00B		
DN150	6"	PN 25-40	V/RM414I00CAB0BBQNV00B	V/RM414I00CBB0BAQNV00B		
DN200(*)	8"	PN 16	V/RM415E00CAB0BBQNV00B	V/RM415E00CBB0BAQNV00B		
DN200(*)	8"	PN 25	V/RM415H00CAB0BBQNV00B	V/RM415H00CBB0BAQNV00B		
DN200	8"	PN 40	V/RM415J00CAB0BBQNV00B	V/RM415J00CBB0BAQNV00B		

**CODICI VALVOLE IN ACCIAIO AL CARBONIO: ASSE LIBERO (V_) - CON LEVA (L_) - CON RIDUTTORE (R_) -ANSI-
CARBON STEEL VALVE CODE: FREE SHAFT (V_) - WITH LEVER (L_) - WITH GEARBOX (R_) -ANSI-**

MISURA SIZE		ANSI	A105 Carbon steel		LF2 Carbon steel	
DN [mm]	[inch]					
DN 15	1/2"	ANSI 150	V/LM404101CAB0BBQNV00B	V/LM404101CBB0BAQNV00B		
DN 15	1/2"	ANSI 300	V/LM404201CAB0BBQNV00B	V/LM404201CBB0BAQNV00B		
DN 20	3/4"	ANSI 150	V/LM405101CAB0BBQNV00B	V/LM405101CBB0BAQNV00B		
DN 20	3/4"	ANSI 300	V/LM405201CAB0BBQNV00B	V/LM405201CBB0BAQNV00B		
DN 25	1"	ANSI 150	V/LM406101CAB0BBQNV00B	V/LM406101CBB0BAQNV00B		
DN 25	1"	ANSI 300	V/LM406201CAB0BBQNV00B	V/LM406201CBB0BAQNV00B		
DN 32	1" 1/4	ANSI 150	V/LM407101CAB0BBQNV00B	V/LM407101CBB0BAQNV00B		
DN 32	1" 1/4	ANSI 300	V/LM407201CAB0BBQNV00B	V/LM407201CBB0BAQNV00B		
DN 40	1" 1/2	ANSI 150	V/LM408101CAB0BBQNV00B	V/LM408101CBB0BAQNV00B		
DN 40	1" 1/2	ANSI 300	V/LM408201CAB0BBQNV00B	V/LM408201CBB0BAQNV00B		
DN 50	2"	ANSI 150	V/LM409101CAB0BBQNV00B	V/LM409101CBB0BAQNV00B		
DN 50	2"	ANSI 300	V/LM409201CAB0BBQNV00B	V/LM409201CBB0BAQNV00B		
DN 65	2" 1/2	ANSI 150	V/LM410101CAB0BBQNV00B	V/LM410101CBB0BAQNV00B		
DN 65	2" 1/2	ANSI 300	V/LM410201CAB0BBQNV00B	V/LM410201CBB0BAQNV00B		
DN 80	3"	ANSI 150	V/LM411101CAB0BBQNV00B	V/LM411101CBB0BAQNV00B		
DN 80	3"	ANSI 300	V/LM411201CAB0BBQNV00B	V/LM411201CBB0BAQNV00B		
DN 100	4"	ANSI 150	V/LM412101CAB0BBQNV00B	V/LM412101CBB0BAQNV00B		
DN 100	4"	ANSI 300	V/LM412201CAB0BBQNV00B	V/LM412201CBB0BAQNV00B		
DN 125	5"	ANSI 150	V/LM413101CAB0BBQNV00B	V/LM413101CBB0BAQNV00B		
DN150(*)	6"	ANSI 150	V/RM414101CAB0BBQNV00B	V/RM414101CBB0BAQNV00B		
DN150	6"	ANSI 300	V/RM414201CAB0BBQNV00B	V/RM414201CBB0BAQNV00B		
DN200(*)	8"	ANSI 150	V/RM415101CAB0BBQNV00B	V/RM415101CBB0BAQNV00B		

DN200 ANSI300 disponibile a magazzino, contattare ufficio commerciale per verifica condizioni operative.

DN200 ANSI300 on stock, check with our sales department for operating conditions.

Versione STANDARD con riduttore manuale per DN150 e DN200. STANDARD version with manual gearbox for DN150 and DN200.

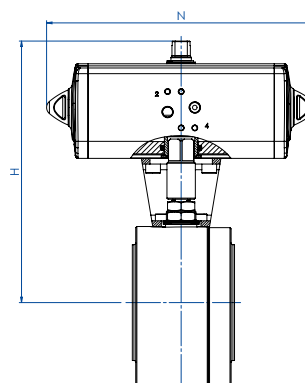
(*) A RICHIESTA versione con leva. ON REQUEST version with manual lever.



MAGNUM SPLIT WAFER - PN 16-40

ACCIAIO AL CARBONIO CARBON STEEL

CON ATTUATORE PNEUMATICO DA WITH DA PNEUMATIC ACTUATOR



CODICI ARTICOLI IN A105 ACCIAIO AL CARBONIO ITEM CODES IN A105 CARBON STEEL

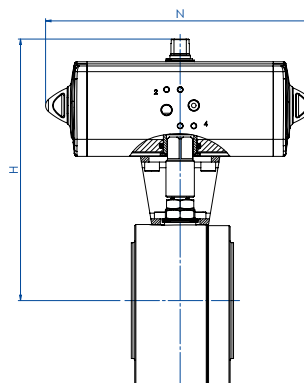
MISURA SIZE		PN	CODICE ARTICOLO ITEM CODE	ATTUATORE ACTUATOR	KIT di montaggio Mounting KIT	N [mm]	H [mm]	Peso Kg Weight Kg
DN [mm]	[inch]							
DN 15	1/2"	PN 16	DM404E00CAB0BBQNV00BAFBA0	DAN0015411S	KCNAAH5312	159,1	154,2	3,2
DN 15	1/2"	PN 25-40	DM404I00CAB0BBQNV00BAFCA0	DAN0030411S	KCNAAH5312	174,3	161,2	3,5
DN 20	3/4"	PN 16-40	DM405F00CAB0BBQNV00BAFCA0	DAN0030411S	KCNAAH5312	174,3	164,2	3,8
DN 25	1"	PN 16-40	DM406F00CAB0BBQNV00BAFCA0	DAN0030411S	KCNBCH5315	174,3	181,2	6,0
DN 32	1" 1/4	PN 16-40	DM407F00CAB0BBQNV00BAFDA0	DAN0045412S	KCNBCH5315	188,5	191,5	7,0
DN 40	1" 1/2	PN 16-40	DM408F00CAB0BBQNV00BAFEA0	DAN0060412S	KCNCCH5316	198,1	208,4	9,8
DN 50	2"	PN 16	DM409E00CAB0BBQNV00BAFGA0	DAN0106411S	KCNCCH5317	237,1	230,3	13,0
DN 50	2"	PN 25-40	DM409I00CAB0BBQNV00BAFHA0	DAN0120411S	KCNCCH5317	257,4	234,0	13,1
DN 65	2" 1/2	PN 16	DM410E00CAB0BBQNV00BAFHA0	DAN0120411S	KCNDDH5318	257,4	250,0	19,9
DN 65	2" 1/2	PN 25-40	DM410I00CAB0BBQNV00BAFIA0	DAN0180411S	KCNDDH5319	289,9	280,5	21,8
DN 80	3"	PN 16	DM411E00CAB0BBQNV00BAFIA0	DAN0180411S	KCNDDH5319	289,9	287,5	25,9
DN 80	3"	PN 25-40	DM411I00CAB0BBQNV00BAFJA0	DAN0240411S	KCNDDH5319	313,6	291,1	26,7
DN 100	4"	PN 16	DM412E00CAB0BBQNV00BAFKA0	DAN0360411S	KCNEEH5321	339,3	329,0	51,7
DN 100	4"	PN 25-40	DM412I00CAB0BBQNV00BAFLA0	DAN0480411S	KCNEFH5332	387,7	387,7	52,7
DN 125	5"	PN 16	DM413E00CAB0BBQNV00BAFLA0	DAN0480411S	KCNEFH5332	387,7	362,0	60,4
DN 125	5"	PN 25-40	DM413I00CAB0BBQNV00BAFMA0	DAN0720411S	KCNEFH5348	433,0	383,0	72,6
DN 150	6"	PN 16	DM414E00CAB0BBQNV00BAFMA0	DAN0720411S	KCNFGH5364	433,0	432,0	127,0
DN 150	6"	PN 25-40	DM414I00CAB0BBMN00BAFRA0	DAN1920411S	KCNGGH5600	601,0	491,7	150,4
DN 200	8"	PN 16	DM415E00CAB0BBQNV00BAFQA0	DAN1440411S	KCNGGH5366	567,0	524,0	222,0
DN 200	8"	PN 25	DM415H00CAB0BBQNV00BAFQA0	DAN1440411S	KCNGGH5366	567,0	524,0	224,7
DN 200	8"	PN 40	DM415J00CAB0BBMN00BAFSA0	DA2880E16D0A	KCNGHH5367	667,0	654,0	343,3

CODICI ARTICOLI IN LF2 ACCIAIO AL CARBONIO ITEM CODES IN LF2 CARBON STEEL

MISURA SIZE		PN	CODICE ARTICOLO ITEM CODE	ATTUATORE ACTUATOR	KIT di montaggio Mounting KIT	N [mm]	H [mm]	Peso Kg Weight Kg
DN [mm]	[inch]							
DN 15	1/2"	PN 16	DM404E00CBB0BAQNV00BAFBA0	DAN0015411S	KCNAAH5312	159,1	154,2	3,2
DN 15	1/2"	PN 25-40	DM404I00CBB0BAQNV00BAFCA0	DAN0030411S	KCNAAH5312	174,3	161,2	3,5
DN 20	3/4"	PN 16-40	DM405F00CBB0BAQNV00BAFCA0	DAN0030411S	KCNAAH5312	174,3	164,2	3,8
DN 25	1"	PN 16-40	DM406F00CBB0BAQNV00BAFCA0	DAN0030411S	KCNBCH5315	174,3	181,2	6,0
DN 32	1" 1/4	PN 16-40	DM407F00CBB0BAQNV00BAFDA0	DAN0045412S	KCNBCH5315	188,5	191,5	7,0
DN 40	1" 1/2	PN 16-40	DM408F00CBB0BAQNV00BAFEA0	DAN0060412S	KCNCCH5316	198,1	208,4	9,8
DN 50	2"	PN 16	DM409E00CBB0BAQNV00BAFGA0	DAN0106411S	KCNCCH5317	237,1	230,3	13,0
DN 50	2"	PN 25-40	DM409I00CBB0BAQNV00BAFHA0	DAN0120411S	KCNCCH5317	257,4	234,0	13,1
DN 65	2" 1/2	PN 16	DM410E00CBB0BAQNV00BAFHA0	DAN0120411S	KCNDDH5318	257,4	250,0	19,9
DN 65	2" 1/2	PN 25-40	DM410I00CBB0BAQNV00BAFIA0	DAN0180411S	KCNDDH5319	289,9	280,5	21,8
DN 80	3"	PN 16	DM411E00CBB0BAQNV00BAFIA0	DAN0180411S	KCNDDH5319	289,9	287,5	25,9
DN 80	3"	PN 25-40	DM411I00CBB0BAQNV00BAFJA0	DAN0240411S	KCNDDH5319	313,6	291,1	26,7
DN 100	4"	PN 16	DM412E00CBB0BAQNV00BAFKA0	DAN0360411S	KCNEEH5321	339,3	329,0	51,7
DN 100	4"	PN 25-40	DM412I00CBB0BAQNV00BAFLA0	DAN0480411S	KCNEFH5332	387,7	387,7	52,7
DN 125	5"	PN 16	DM413E00CBB0BAQNV00BAFLA0	DAN0480411S	KCNEFH5332	387,7	362,0	60,4
DN 125	5"	PN 25-40	DM413I00CBB0BAQNV00BAFMA0	DAN0720411S	KCNEFH5348	433,0	383,0	72,6
DN 150	6"	PN 16	DM414E00CBB0BAQNV00BAFMA0	DAN0720411S	KCNFGH5364	433,0	432,0	127,0
DN 150	6"	PN 25-40	DM414I00CBB0BAMN00BAFRA0	DAN1920411S	KCNGGH5600	601,0	491,7	150,4
DN 200	8"	PN 16	DM415E00CBB0BAQNV00BAFQA0	DAN1440411S	KCNGGH5366	567,0	524,0	222,0
DN 200	8"	PN 25	DM415H00CBB0BAQNV00BAFQA0	DAN1440411S	KCNGGH5366	567,0	524,0	224,7
DN 200	8"	PN 40	DM415J00CBB0BAMN00BAFSA0	DA2880E16D0A	KCNGHH5367	667,0	654,0	343,3



MAGNUM SPLIT WAFER - ANSI 150-300
ACCIAIO AL CARBONIO CARBON STEEL
CON ATTUATORE PNEUMATICO DA WITH DA PNEUMATIC ACTUATOR



CODICI ARTICOLI IN A105 ACCIAIO AL CARBONIO ITEM CODES IN A105 CARBON STEEL

MISURA DN [mm]	SIZE [inch]	ANSI	CODICE ARTICOLO ITEM CODE	ATTUATORE ACTUATOR	KIT di montaggio Mounting KIT	N [mm]	H [mm]	Peso Kg Weight Kg
DN 15	1/2"	ANSI 150	DM404101CAB0BBQNV00BAFBA0	DAN0015411S	KCNAAH5312	159,0	154,2	3,2
DN 15	1/2"	ANSI 300	DM404201CAB0BBQNV00BAFCA0	DAN0030411S	KCNAAH5313	174,2	163,2	3,5
DN 20	3/4"	ANSI 150	DM405101CAB0BBQNV00BAFCA0	DAN0030411S	KCNAAH5312	174,2	164,2	3,9
DN 20	3/4"	ANSI 300	DM405201CAB0BBQNV00BAFCA0	DAN0030411S	KCNAAH5314	174,2	169,2	4,5
DN 25	1"	ANSI 150	DM406101CAB0BBQNV00BAFCA0	DAN0030411S	KCNBCH5315	174,2	181,2	5,0
DN 25	1"	ANSI 300	DM406201CAB0BBQNV00BAFCA0	DAN0030411S	KCNBCH5249	174,2	184,2	5,4
DN 32	1" 1/4	ANSI 150	DM407101CAB0BBQNV00BAFDA0	DAN0045412S	KCNBCH5315	188,5	191,5	7,0
DN 32	1" 1/4	ANSI 300	DM407201CAB0BBQNV00BAFDA0	DAN0045412S	KCNBCH5315	188,5	191,5	7,0
DN 40	1" 1/2	ANSI 150	DM408101CAB0BBQNV00BAFEA0	DAN0060412S	KCNCCH5316	198,0	202,5	9,8
DN 40	1" 1/2	ANSI 300	DM408201CAB0BBQNV00BAFEA0	DAN0060412S	KCNCCH5316	198,0	208,4	10,9
DN 50	2"	ANSI 150	DM409101CAB0BBQNV00BAFGA0	DAN0106411S	KCNCCH5317	237,0	230,3	13,0
DN 50	2"	ANSI 300	DM409201CAB0BBQNV00BAFHA0	DAN0120411S	KCNCCH5267	244,1	240,0	14,6
DN 65	2" 1/2	ANSI 150	DM410101CAB0BBQNV00BAFHA0	DAN0120411S	KCNDDH5318	244,1	250,0	20,0
DN 65	2" 1/2	ANSI 300	DM410201CAB0BBQNV00BAFIA0	DAN0180411S	KCNDDH5320	289,9	286,5	25,0
DN 80	3"	ANSI 150	DM411101CAB0BBQNV00BAFIA0	DAN0180411S	KCNDDH5319	289,9	287,5	26,4
DN 80	3"	ANSI 300	DM411201CAB0BBQNV00BAFJA0	DAN0240411S	KCNDDH5320	313,6	297,1	31,1
DN 100	4"	ANSI 150	DM412101CAB0BBQNV00BAFKA0	DAN0360411S	KCNEEH5321	339,3	335,0	48,9
DN 100	4"	ANSI 300	DM412201CAB0BBQNV00BAFLA0	DAN0480411S	KCNEFH5348	387,6	359,9	60,5
DN 125	5"	ANSI 150	DM413101CAB0BBQNV00BAFLA0	DAN0480411S	KCNEFH5332	387,6	361,9	60,5
DN 150	6"	ANSI 150	DM414101CAB0BBQNV00BAFMA0	DAN0720411S	KCNFGHD5364	433,1	412,0	126,7
DN 150	6"	ANSI 300	DM414201CAB0BBMNV00BAFRA0	DAN1920411S	KCNGGHD5600	604,0	491,7	150,9
DN 200	8"	ANSI 150	DM415101CAB0BBQNV00BAFQA0	DAN1440411S	KCNGGHD5366	567,1	484,0	221,9

CODICI ARTICOLI IN LF2 ACCIAIO AL CARBONIO ITEM CODES IN LF2 CARBON STEEL

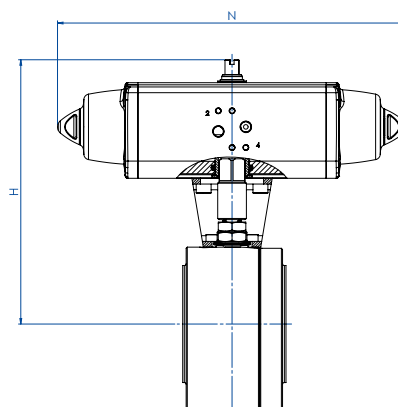
MISURA DN [mm]	SIZE [inch]	ANSI	CODICE ARTICOLO ITEM CODE	ATTUATORE ACTUATOR	KIT di montaggio Mounting KIT	N [mm]	H [mm]	Peso Kg Weight Kg
DN 15	1/2"	ANSI 150	DM404101CBB0BAQNV00BAFBA0	DAN0015411S	KCNAAH5312	159,0	154,2	3,2
DN 15	1/2"	ANSI 300	DM404201CBB0BAQNV00BAFCA0	DAN0030411S	KCNAAH5313	174,2	163,2	3,5
DN 20	3/4"	ANSI 150	DM405101CBB0BAQNV00BAFCA0	DAN0030411S	KCNAAH5312	174,2	164,2	3,9
DN 20	3/4"	ANSI 300	DM405201CBB0BAQNV00BAFCA0	DAN0030411S	KCNAAH5314	174,2	169,2	4,5
DN 25	1"	ANSI 150	DM406101CBB0BAQNV00BAFCA0	DAN0030411S	KCNBCH5315	174,2	181,2	5,0
DN 25	1"	ANSI 300	DM406201CBB0BAQNV00BAFCA0	DAN0030411S	KCNBCH5249	174,2	184,2	5,4
DN 32	1" 1/4	ANSI 150	DM407101CBB0BAQNV00BAFDA0	DAN0045412S	KCNBCH5315	188,5	191,5	7,0
DN 32	1" 1/4	ANSI 300	DM407201CBB0BAQNV00BAFDA0	DAN0045412S	KCNBCH5315	188,5	191,5	7,0
DN 40	1" 1/2	ANSI 150	DM408101CBB0BAQNV00BAFEA0	DAN0060412S	KCNCCH5316	198,0	202,5	9,8
DN 40	1" 1/2	ANSI 300	DM408201CBB0BAQNV00BAFEA0	DAN0060412S	KCNCCH5316	198,0	208,4	10,9
DN 50	2"	ANSI 150	DM409101CBB0BAQNV00BAFGA0	DAN0106411S	KCNCCH5317	237,0	230,3	13,0
DN 50	2"	ANSI 300	DM409201CBB0BAQNV00BAFHA0	DAN0120411S	KCNCCH5267	244,1	240,0	14,6
DN 65	2" 1/2	ANSI 150	DM410101CBB0BAQNV00BAFHA0	DAN0120411S	KCNDDH5318	244,1	250,0	20,0
DN 65	2" 1/2	ANSI 300	DM410201CBB0BAQNV00BAFIA0	DAN0180411S	KCNDDH5320	289,9	286,5	25,0
DN 80	3"	ANSI 150	DM411101CBB0BAQNV00BAFIA0	DAN0180411S	KCNDDH5319	289,9	287,5	26,4
DN 80	3"	ANSI 300	DM411201CBB0BAQNV00BAFJA0	DAN0240411S	KCNDDH5320	313,6	297,1	31,1
DN 100	4"	ANSI 150	DM412101CBB0BAQNV00BAFKA0	DAN0360411S	KCNEEH5321	339,3	335,0	48,9
DN 100	4"	ANSI 300	DM412201CBB0BAQNV00BAFLA0	DAN0480411S	KCNEFH5348	387,6	359,9	60,5
DN 125	5"	ANSI 150	DM413101CBB0BAQNV00BAFLA0	DAN0480411S	KCNEFH5332	387,6	361,9	60,5
DN 150	6"	ANSI 150	DM414101CBB0BAQNV00BAFMA0	DAN0720411S	KCNFGHD5364	433,1	412,0	126,7
DN 150	6"	ANSI 300	DM414201CBB0BAMNV00BAFRA0	DAN1920411S	KCNGGHD5600	604,0	491,7	150,9
DN 200	8"	ANSI 150	DM415101CBB0BAQNV00BAFQA0	DAN1440411S	KCNGGHD5366	567,1	484,0	221,9



MAGNUM SPLIT WAFER - PN 16-40

ACCIAIO AL CARBONIO CARBON STEEL

CON ATTUATORE PNEUMATICO SR WITH SR PNEUMATIC ACTUATOR



CODICI ARTICOLI IN A105 ACCIAIO AL CARBONIO ITEM CODES IN A105 CARBON STEEL

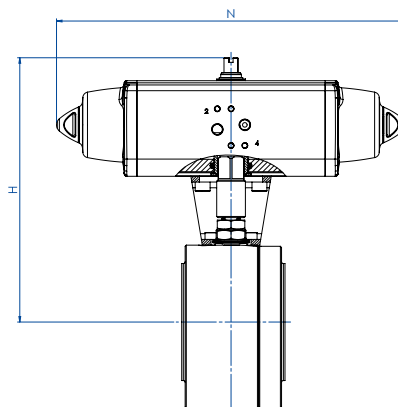
MISURA DN [mm]	SIZE [inch]	PN	CODICE ARTICOLO ITEM CODE	ATTUATORE ACTUATOR	KIT di montaggio Mounting KIT	N [mm]	H [mm]	Peso Kg Weight Kg
DN 15	1/2"	PN 16	SM404E00CAB0BBQNV00BAFCA0	SRN0015401S	KCNAHD5312	233,2	161,2	3,7
DN 15	1/2"	PN 25-40	SM404I00CAB0BBQNV00BAFEA0	SRN0030402S	KCNACHD5324	258,8	182,4	4,6
DN 20	3/4"	PN 16-40	SM405F00CAB0BBQNV00BAFEA0	SRN0030402S	KCNACHD5324	258,8	185,4	4,9
DN 25	1"	PN 16-40	SM406F00CAB0BBQNV00BAFEA0	SRN0030402S	KCNBCHD5327	258,8	192,4	6,1
DN 32	1" 1/4	PN 16-40	SM407F00CAB0BBQNV00BAFGA0	SRN0053401S	KCNBCHD5328	304,2	210,3	8,9
DN 40	1" 1/2	PN 16-40	SM408F00CAB0BBQNV00BAFHA0	SRN0060401S	KCNCCHD5317	338,5	225,0	11,6
DN 50	2"	PN 16	SM409E00CAB0BBQNV00BAFIA0	SRN0090401S	KCNCDDH5329	393,7	264,5	16,7
DN 50	2"	PN 25-40	SM409I00CAB0BBQNV00BAFJA0	SRN0120401S	KCNCDDH5329	409,6	268,1	17,6
DN 65	2" 1/2	PN 16	SM410E00CAB0BBQNV00BAFJA0	SRN0120401S	KCNDDHD5319	409,6	284,1	24,3
DN 65	2" 1/2	PN 25-40	SM410I00CAB0BBQNV00BAFKA0	SRN0180401S	KCNDDHD5319	474,0	291,0	26,1
DN 80	3"	PN 16	SM411E00CAB0BBQNV00BAFKA0	SRN0180401S	KCNDDHD5319	474,0	298,0	30,2
DN 80	3"	PN 25-40	SM411I00CAB0BBQNV00BAFLA0	SRN0240401S	KCNDEHD5330	520,5	335,0	33,8
DN 100	4"	PN 16	SM412E00CAB0BBQNV00BAFMA0	SRN0360401S	KCNEFHD5332	613,0	365,0	59,5
DN 100	4"	PN 25-40	SM412I00CAB0BBQNV00BAFNA0	SRN0480401S	KCNEFHD5333	648,2	385,0	66,3
DN 125	5"	PN 16	SM413E00CAB0BBQNV00BAFNA0	SRN0480401S	KCNEFHD5333	648,2	395,0	74,0
DN 125	5"	PN 25-40	SM413I00CAB0BBQNV00BAFQA0	SRN0720401S	KCNEGHD5356	798,0	421,0	94,5
DN 150	6"	PN 16	SM414E00CAB0BBQNV00BAFQA0	SRN0720401S	KCNGGHD5368	798,0	470,0	147,4
DN 150	6"	PN 25-40	SM414I00CAB0BBMNV00BAFVA0	SR1920E1608A	KCNGHHD5349	1001,0	568,5	185,4
DN 200	8"	PN 16	SM415E00CAB0BBQNV00BAFSA0	SR1440E16D8A	KCNGHHD5370	834,0	647,0	272,0
DN 200	8"	PN 25	SM415H00CAB0BBQNV00BAFSA0	SR1440E16D8A	KCNGHHD5370	834,0	647,0	276,7
DN 200	8"	PN 40	SM415J00CAB0BBMNV00BAFWA0	SR2880E16D8A	KCNGHHD5367	1201,0	654,0	343,3

CODICI ARTICOLI IN LF2 ACCIAIO AL CARBONIO ITEM CODES IN LF2 CARBON STEEL

MISURA DN [mm]	SIZE [inch]	PN	CODICE ARTICOLO ITEM CODE	ATTUATORE ACTUATOR	KIT di montaggio Mounting KIT	N [mm]	H [mm]	Peso Kg Weight Kg
DN 15	1/2"	PN 16	SM404E00CBB0BAQNV00BAFCA0	SRN0015401S	KCNAHD5312	233,2	161,2	3,7
DN 15	1/2"	PN 25-40	SM404I00CBB0BAQNV00BAFEA0	SRN0030402S	KCNACHD5324	258,8	182,4	4,6
DN 20	3/4"	PN 16-40	SM405F00CBB0BAQNV00BAFEA0	SRN0030402S	KCNACHD5324	258,8	185,4	4,9
DN 25	1"	PN 16-40	SM406F00CBB0BAQNV00BAFEA0	SRN0030402S	KCNBCHD5327	258,8	192,4	6,1
DN 32	1" 1/4	PN 16-40	SM407F00CBB0BAQNV00BAFGA0	SRN0053401S	KCNBCHD5328	304,2	210,3	8,9
DN 40	1" 1/2	PN 16-40	SM408F00CBB0BAQNV00BAFHA0	SRN0060401S	KCNCCHD5317	338,5	225,0	11,6
DN 50	2"	PN 16	SM409E00CBB0BAQNV00BAFIA0	SRN0090401S	KCNCDDH5329	393,7	264,5	16,7
DN 50	2"	PN 25-40	SM409I00CBB0BAQNV00BAFJA0	SRN0120401S	KCNCDDH5329	409,6	268,1	17,6
DN 65	2" 1/2	PN 16	SM410E00CBB0BAQNV00BAFJA0	SRN0120401S	KCNDDHD5319	409,6	284,1	24,3
DN 65	2" 1/2	PN 25-40	SM410I00CBB0BAQNV00BAFKA0	SRN0180401S	KCNDDHD5319	474,0	291,0	26,1
DN 80	3"	PN 16	SM411E00CBB0BAQNV00BAFKA0	SRN0180401S	KCNDDHD5319	474,0	298,0	30,2
DN 80	3"	PN 25-40	SM411I00CBB0BAQNV00BAFLA0	SRN0240401S	KCNDEHD5330	520,5	335,0	33,8
DN 100	4"	PN 16	SM412E00CBB0BAQNV00BAFMA0	SRN0360401S	KCNEFHD5332	613,0	365,0	59,5
DN 100	4"	PN 25-40	SM412I00CBB0BAQNV00BAFNA0	SRN0480401S	KCNEFHD5333	648,2	385,0	66,3
DN 125	5"	PN 16	SM413E00CBB0BAQNV00BAFNA0	SRN0480401S	KCNEFHD5333	648,2	395,0	74,0
DN 125	5"	PN 25-40	SM413I00CBB0BAQNV00BAFQA0	SRN0720401S	KCNEGHD5356	798,0	421,0	94,5
DN 150	6"	PN 16	SM414E00CBB0BAQNV00BAFQA0	SRN0720401S	KCNGGHD5368	798,0	470,0	147,4
DN 150	6"	PN 25-40	SM414I00CBB0BAMNV00BAFVA0	SR1920E1608A	KCNGHHD5349	1001,0	568,5	185,4
DN 200	8"	PN 16	SM415E00CBB0BAQNV00BAFSA0	SR1440E16D8A	KCNGHHD5370	834,0	647,0	272,0
DN 200	8"	PN 25	SM415H00CBB0BAQNV00BAFSA0	SR1440E16D8A	KCNGHHD5370	834,0	647,0	276,7
DN 200	8"	PN 40	SM415J00CBB0BAMNV00BAFWA0	SR2880E16D8A	KCNGHHD5367	1201,0	654,0	343,3



MAGNUM SPLIT WAFER - ANSI 150-300
ACCIAIO AL CARBONIO CARBON STEEL
CON ATTUATORE PNEUMATICO SR WITH SR PNEUMATIC ACTUATOR



CODICI ARTICOLI IN A105 ACCIAIO AL CARBONIO ITEM CODES IN A105 CARBON STEEL

MISURA SIZE		ANSI	CODICE ARTICOLO ITEM CODE	ATTUATORE ACTUATOR	KIT di montaggio Mounting KIT	N [mm]	H [mm]	Peso Kg Weight Kg
DN [mm]	[inch]							
DN 15	1/2"	ANSI 150	SM404101CAB0BBQNV00BAFCA0	SRN0015401S	KCNAHD5312	233,2	161,2	3,7
DN 15	1/2"	ANSI 300	SM404201CAB0BBQNV00BAFEA0	SRN0030402S	KCNACHD5325	258,8	184,4	4,6
DN 20	3/4"	ANSI 150	SM405101CAB0BBQNV00BAFEA0	SRN0030402S	KCNACHD5324	258,8	185,4	4,9
DN 20	3/4"	ANSI 300	SM405201CAB0BBQNV00BAFEA0	SRN0030402S	KCNACHD5326	258,8	190,4	5,6
DN 25	1"	ANSI 150	SM406101CAB0BBQNV00BAFEA0	SRN0030402S	KCNBCHD5327	258,8	192,4	6,0
DN 25	1"	ANSI 300	SM406201CAB0BBQNV00BAFEA0	SRN0030402S	KCNBCHD5250	258,8	195,4	6,4
DN 32	1" 1/4	ANSI 150	SM407101CAB0BBQNV00BAFGA0	SRN0053401S	KCNBCHD5328	304,2	210,3	8,9
DN 32	1" 1/4	ANSI 300	SM407201CAB0BBQNV00BAFGA0	SRN0053401S	KCNBCHD5328	304,2	210,3	8,9
DN 40	1" 1/2	ANSI 150	SM408101CAB0BBQNV00BAFHAA0	SRN0060401S	KCNCCHD5317	338,5	225,0	11,6
DN 40	1" 1/2	ANSI 300	SM408201CAB0BBQNV00BAFHAA0	SRN0060401S	KCNCCHD5317	338,5	225,0	12,7
DN 50	2"	ANSI 150	SM409101CAB0BBQNV00BAFIA0	SRN0090401S	KCNCDHD5329	393,7	264,5	16,7
DN 50	2"	ANSI 300	SM409201CAB0BBQNV00BAFJA0	SRN0120401S	KCNCDHD5268	409,6	274,1	19,1
DN 65	2" 1/2	ANSI 150	SM410101CAB0BBQNV00BAFJA0	SRN0120401S	KCNDDHD5319	409,6	284,1	24,4
DN 65	2" 1/2	ANSI 300	SM410201CAB0BBQNV00BAFKA0	SRN0180401S	KCNDDHD5320	474,0	297,0	29,3
DN 80	3"	ANSI 150	SM411101CAB0BBQNV00BAFKA0	SRN0180401S	KCNDDHD5319	474,0	298,0	30,7
DN 80	3"	ANSI 300	SM411201CAB0BBQNV00BAFLA0	SRN0240401S	KCNDEHD5331	520,5	341,0	37,7
DN 100	4"	ANSI 150	SM412101CAB0BBQNV00BAFMA0	SRN0360401S	KCNEFHD5332	613,0	365,0	56,8
DN 100	4"	ANSI 300	SM412201CAB0BBQNV00BAFNA0	SRN0480401S	KCNEFHD5389	648,2	393,0	74,2
DN 125	5"	ANSI 150	SM413101CAB0BBQNV00BAFNA0	SRN0480401S	KCNEFHD5333	648,2	395,0	74,1
DN 150	6"	ANSI 150	SM414101CAB0BBQNV00BAFQA0	SRN0720401S	KCNGGHD5368	798,0	470,0	148,4
DN 150	6"	ANSI 300	SM414201CAB0BBMNV00BAFVA0	SR1920E1608A	KCNGHHD5349	1001,0	568,5	185,9
DN 200	8"	ANSI 150	SM415101CAB0BBQNV00BAFSA0	SR1440E16D8A	KCNGHHD5370	834,0	647,0	273,9

CODICI ARTICOLI IN LF2 ACCIAIO AL CARBONIO ITEM CODES IN LF2 CARBON STEEL

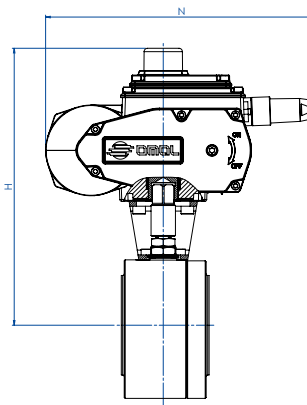
MISURA SIZE		ANSI	CODICE ARTICOLO ITEM CODE	ATTUATORE ACTUATOR	KIT di montaggio Mounting KIT	N [mm]	H [mm]	Peso Kg Weight Kg
DN [mm]	[inch]							
DN 15	1/2"	ANSI 150	SM404101CBB0BAQNV00BAFCA0	SRN0015401S	KCNAHD5312	233,2	161,2	3,7
DN 15	1/2"	ANSI 300	SM404201CBB0BAQNV00BAFEA0	SRN0030402S	KCNACHD5325	258,8	184,4	4,6
DN 20	3/4"	ANSI 150	SM405101CBB0BAQNV00BAFEA0	SRN0030402S	KCNACHD5324	258,8	185,4	4,9
DN 20	3/4"	ANSI 300	SM405201CBB0BAQNV00BAFEA0	SRN0030402S	KCNACHD5326	258,8	190,4	5,6
DN 25	1"	ANSI 150	SM406101CBB0BAQNV00BAFEA0	SRN0030402S	KCNBCHD5327	258,8	192,4	6,0
DN 25	1"	ANSI 300	SM406201CBB0BAQNV00BAFEA0	SRN0030402S	KCNBCHD5250	258,8	195,4	6,4
DN 32	1" 1/4	ANSI 150	SM407101CBB0BAQNV00BAFGA0	SRN0053401S	KCNBCHD5328	304,2	210,3	8,9
DN 32	1" 1/4	ANSI 300	SM407201CBB0BAQNV00BAFGA0	SRN0053401S	KCNBCHD5328	304,2	210,3	8,9
DN 40	1" 1/2	ANSI 150	SM408101CBB0BAQNV00BAFHAA0	SRN0060401S	KCNCCHD5317	338,5	225,0	11,6
DN 40	1" 1/2	ANSI 300	SM408201CBB0BAQNV00BAFHAA0	SRN0060401S	KCNCCHD5317	338,5	225,0	12,7
DN 50	2"	ANSI 150	SM409101CBB0BAQNV00BAFIA0	SRN0090401S	KCNCDHD5329	393,7	264,5	16,7
DN 50	2"	ANSI 300	SM409201CBB0BAQNV00BAFJA0	SRN0120401S	KCNCDHD5268	409,6	274,1	19,1
DN 65	2" 1/2	ANSI 150	SM410101CBB0BAQNV00BAFJA0	SRN0120401S	KCNDDHD5319	409,6	284,1	24,4
DN 65	2" 1/2	ANSI 300	SM410201CBB0BAQNV00BAFKA0	SRN0180401S	KCNDDHD5320	474,0	297,0	29,3
DN 80	3"	ANSI 150	SM411101CBB0BAQNV00BAFKA0	SRN0180401S	KCNDDHD5319	474,0	298,0	30,7
DN 80	3"	ANSI 300	SM411201CBB0BAQNV00BAFLA0	SRN0240401S	KCNDEHD5331	520,5	341,0	37,7
DN 100	4"	ANSI 150	SM412101CBB0BAQNV00BAFMA0	SRN0360401S	KCNEFHD5332	613,0	365,0	56,8
DN 100	4"	ANSI 300	SM412201CBB0BAQNV00BAFNA0	SRN0480401S	KCNEFHD5389	648,2	393,0	74,2
DN 125	5"	ANSI 150	SM413101CBB0BAQNV00BAFNA0	SRN0480401S	KCNEFHD5333	648,2	395,0	74,1
DN 150	6"	ANSI 150	SM414101CBB0BAQNV00BAFQA0	SRN0720401S	KCNGGHD5368	798,0	470,0	148,4
DN 150	6"	ANSI 300	SM414201CBB0BAMNV00BAFVA0	SR1920E1608A	KCNGHHD5349	1001,0	568,5	185,9
DN 200	8"	ANSI 150	SM415101CBB0BAQNV00BAFSA0	SR1440E16D8A	KCNGHHD5370	834,0	647,0	273,9



MAGNUM SPLIT WAFER - PN 16-40

ACCIAIO AL CARBONIO CARBON STEEL

CON ATTUATORE ELETTRICO WITH ELECTRIC ACTUATOR



CODICI ARTICOLI IN A105 ACCIAIO AL CARBONIO ITEM CODES IN A105 CARBON STEEL

MISURA DN [mm]	SIZE [inch]	PN	CODICE ARTICOLO ITEM CODE	ATTUATORE ACTUATOR	KIT di montaggio Mounting KIT	N [mm]	H [mm]	Peso Kg Weight Kg
DN 15	1/2"	PN 16-40	EM404F00CAB0BBQNV00BAMEGO	EA0035A5C000	KCNACHD5324	250,0	229,0	6,3
DN 20	3/4"	PN 16-40	EM405F00CAB0BBQNV00BAMEGO	EA0035A5C000	KCNACHD5324	250,0	232,0	6,6
DN 25	1"	PN 16-40	EM406F00CAB0BBQNV00BAMEGO	EA0035A5C000	KCNBCHD5327	250,0	239,0	7,7
DN 32	1" 1/4	PN 16-40	EM407F00CAB0BBQNV00BAMGGO	EA0070A5C000	KCNBCHD5327	250,0	244,0	9,6
DN 40	1" 1/2	PN 16-40	EM408F00CAB0BBQNV00BAMGGO	EA0070A5C000	KCNCCHD5316	250,0	255,0	12,0
DN 50	2"	PN 16-40	EM409F00CAB0BBQNV00BAMIGO	EA0130A5C000	KCNCCHD5317	280,0	284,7	17,7
DN 65	2" 1/2	PN 16	EM410E00CAB0BBQNV00BAMIGO	EA0130A5C000	KCNDDHD5318	280,0	300,5	24,8
DN 65	2" 1/2	PN 25-40	EM410I00CAB0BBQNV00BAMKGO	EA0240A5C000	KCNDDHD5319	280,0	300,5	24,7
DN 80	3"	PN 16-40	EM411F00CAB0BBQNV00BAMKGO	EA0240A5C000	KCNDDHD5319	280,0	307,5	28,8
DN 100	4"	PN 16	EM412E00CAB0BBQNV00BAMNAO	AE160040	KCNEEHV5336	256,5	372,0	51,4
DN 100	4"	PN 25-40	EM412I00CAB0BBQNV00BAMNAO	AE160040	KCNEEHV5336	256,5	372,0	51,5
DN 125	5"	PN 16	EM413E00CAB0BBQNV00BAMNAO	AE160040	KCNEEHV5336	256,5	382,0	59,2
DN 125	5"	PN 25-40	EM413I00CAB0BBQNV00BAMRAO	AE160060	KCNEEHV5362	381,0	439,0	81,9
DN 150	6"	PN 16	EM414E00CAB0BBQNV00BAMTAO	AE160100	KCNFGHV5372	381,0	488,0	136,0
DN 150	6"	PN 25-40	EM414I00CAB0BBMNV00BAMXAO	AE160200	KCNFGHV5374	381,0	488,0	139,7
DN 200	8"	PN 16	EM415E00CAB0BBQNV00BAMTAO	AE160100	KCNFGHV5375	381,0	522,0	218,5
DN 200	8"	PN 25	EM415H00CAB0BBQNV00BAMXAO	AE160200	KCNFGHV5376	381,0	522,0	224,8
DN 200	8"	PN 40	EM415J00CAB0BBMNV00BAMXAO	AE160200	KCNFGHV5377	381,0	529,0	248,3

CODICI ARTICOLI IN LF2 ACCIAIO AL CARBONIO ITEM CODES IN LF2 CARBON STEEL

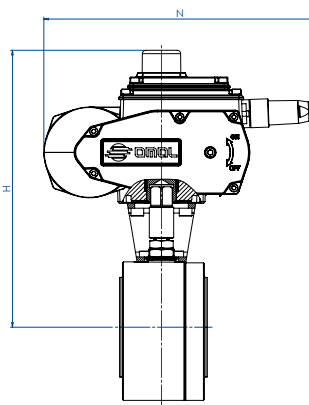
MISURA DN [mm]	SIZE [inch]	PN	CODICE ARTICOLO ITEM CODE	ATTUATORE ACTUATOR	KIT di montaggio Mounting KIT	N [mm]	H [mm]	Peso Kg Weight Kg
DN 15	1/2"	PN 16-40	EM404F00CBB0BAQNV00BAMEGO	EA0035A5C000	KCNACHD5324	250,0	229,0	6,3
DN 20	3/4"	PN 16-40	EM405F00CBB0BAQNV00BAMEGO	EA0035A5C000	KCNACHD5324	250,0	232,0	6,6
DN 25	1"	PN 16-40	EM406F00CBB0BAQNV00BAMEGO	EA0035A5C000	KCNBCHD5327	250,0	239,0	7,7
DN 32	1" 1/4	PN 16-40	EM407F00CBB0BAQNV00BAMGGO	EA0070A5C000	KCNBCHD5327	250,0	244,0	9,6
DN 40	1" 1/2	PN 16-40	EM408F00CBB0BAQNV00BAMGGO	EA0070A5C000	KCNCCHD5316	250,0	255,0	12,0
DN 50	2"	PN 16-40	EM409F00CBB0BAQNV00BAMIGO	EA0130A5C000	KCNCCHD5317	280,0	284,7	17,7
DN 65	2" 1/2	PN 16	EM410E00CBB0BAQNV00BAMIGO	EA0130A5C000	KCNDDHD5318	280,0	300,5	24,8
DN 65	2" 1/2	PN 25-40	EM410I00CBB0BAQNV00BAMKGO	EA0240A5C000	KCNDDHD5319	280,0	300,5	24,7
DN 80	3"	PN 16-40	EM411F00CBB0BAQNV00BAMKGO	EA0240A5C000	KCNDDHD5319	280,0	307,5	28,8
DN 100	4"	PN 16	EM412E00CBB0BAQNV00BAMNAO	AE160040	KCNEEHV5336	256,5	372,0	51,4
DN 100	4"	PN 25-40	EM412I00CBB0BAQNV00BAMNAO	AE160040	KCNEEHV5336	256,5	372,0	51,5
DN 125	5"	PN 16	EM413E00CBB0BAQNV00BAMNAO	AE160040	KCNEEHV5336	256,5	382,0	59,2
DN 125	5"	PN 25-40	EM413I00CBB0BAQNV00BAMRAO	AE160060	KCNEEHV5362	381,0	439,0	81,9
DN 150	6"	PN 16	EM414E00CBB0BAQNV00BAMTAO	AE160100	KCNFGHV5372	381,0	488,0	136,0
DN 150	6"	PN 25-40	EM414I00CBB0BAMNV00BAMXAO	AE160200	KCNFGHV5374	381,0	488,0	139,7
DN 200	8"	PN 16	EM415E00CBB0BAQNV00BAMTAO	AE160100	KCNFGHV5375	381,0	522,0	218,5
DN 200	8"	PN 25	EM415H00CBB0BAQNV00BAMXAO	AE160200	KCNFGHV5376	381,0	522,0	224,8
DN 200	8"	PN 40	EM415J00CBB0BAMNV00BAMXAO	AE160200	KCNFGHV5377	381,0	529,0	248,3



MAGNUM SPLIT WAFER - ANSI 150-300

ACCIAIO AL CARBONIO CARBON STEEL

CON ATTUATORE ELETTRICO WITH ELECTRIC ACTUATOR



CODICI ARTICOLI IN A105 ACCIAIO AL CARBONIO ITEM CODES IN A105 CARBON STEEL

MISURA DN [mm]	SIZE [inch]	ANSI	CODICE ARTICOLO ITEM CODE	ATTUATORE ACTUATOR	KIT di montaggio Mounting KIT	N [mm]	H [mm]	Peso Kg Weight Kg
DN 15	1/2"	ANSI 150	EM404101CAB0BBQNV00BAMEGO	EA0035A5C000	KCNACHD5324	250,0	229,0	6,3
DN 15	1/2"	ANSI 300	EM404201CAB0BBQNV00BAMEGO	EA0035A5C000	KCNACHD5325	250,0	231,0	6,3
DN 20	3/4"	ANSI 150	EM405101CAB0BBQNV00BAMEGO	EA0035A5C000	KCNACHD5324	250,0	232,0	6,7
DN 20	3/4"	ANSI 300	EM405201CAB0BBQNV00BAMEGO	EA0035A5C000	KCNACHD5326	250,0	237,0	7,3
DN 25	1"	ANSI 150	EM406101CAB0BBQNV00BAMEGO	EA0035A5C000	KCNBCHD5327	250,0	239,0	7,6
DN 25	1"	ANSI 300	EM406201CAB0BBQNV00BAMEGO	EA0035A5C000	KCNBCHD5250	250,0	242,0	8,1
DN 32	1" 1/4	ANSI 150	EM407101CAB0BBQNV00BAMGGGO	EA0070A5C000	KCNBCHD5327	250,0	244,0	9,6
DN 32	1" 1/4	ANSI 300	EM407201CAB0BBQNV00BAMGGGO	EA0070A5C000	KCNBCHD5327	250,0	244,0	9,6
DN 40	1" 1/2	ANSI 150	EM408101CAB0BBQNV00BAMGGGO	EA0070A5C000	KCNCCHD5316	250,0	255,0	12,0
DN 40	1" 1/2	ANSI 300	EM408201CAB0BBQNV00BAMGGGO	EA0070A5C000	KCNCCHD5316	250,0	255,0	13,1
DN 50	2"	ANSI 150	EM409101CAB0BBQNV00BAMIGGO	EA0130A5C000	KCNCCHD5317	280,0	284,5	17,7
DN 50	2"	ANSI 300	EM409201CAB0BBQNV00BAMIGGO	EA0130A5C000	KCNCCHD5267	280,0	290,5	19,2
DN 65	2" 1/2	ANSI 150	EM410101CAB0BBQNV00BAMIGGO	EA0130A5C000	KCNDDHD5318	280,0	300,5	24,6
DN 65	2" 1/2	ANSI 300	EM410201CAB0BBQNV00BAMKGGGO	EA0070A5C000	KCNDDHD5320	280,0	306,5	27,9
DN 80	3"	ANSI 150	EM411101CAB0BBQNV00BAMKGGGO	EA0240A5C000	KCNDDHD5319	280,0	307,5	29,3
DN 80	3"	ANSI 300	EM411201CAB0BBQNV00BAMKGGGO	EA0240A5C000	KCNDDHD5320	280,0	313,5	33,2
DN 100	4"	ANSI 150	EM412101CAB0BBQNV00BAMNNAO	AE160040	KCNEEHV5336	256,5	372,0	51,7
DN 100	4"	ANSI 300	EM412201CAB0BBQNV00BAMNNAO	AE160040	KCNEEHV5361	256,5	380,0	59,3
DN 125	5"	ANSI 150	EM413101CAB0BBQNV00BAMNNAO	AE160040	KCNEEHV5336	256,5	382,0	59,3
DN 150	6"	ANSI 150	EM414101CAB0BBQNV00BAMTAO	AE160100	KCNFGHV5372	381,0	488,0	137,0
DN 150	6"	ANSI 300	EM414201CAB0BBMNV00BAMXAO	AE160200	KCNFGHV5374	381,0	488,0	140,2
DN 200	8"	ANSI 150	EM415101CAB0BBQNV00BAMTAO	AE160100	KCNFGHV5375	381,0	522,0	220,4

CODICI ARTICOLI IN LF2 ACCIAIO AL CARBONIO ITEM CODES IN LF2 CARBON STEEL

MISURA DN [mm]	SIZE [inch]	ANSI	CODICE ARTICOLO ITEM CODE	ATTUATORE ACTUATOR	KIT di montaggio Mounting KIT	N [mm]	H [mm]	Peso Kg Weight Kg
DN 15	1/2"	ANSI 150	EM404101CBB0BAQNV00BAMEGO	EA0035A5C000	KCNACHD5324	250,0	229,0	6,3
DN 15	1/2"	ANSI 300	EM404201CBB0BAQNV00BAMEGO	EA0035A5C000	KCNACHD5325	250,0	231,0	6,3
DN 20	3/4"	ANSI 150	EM405101CBB0BAQNV00BAMEGO	EA0035A5C000	KCNACHD5324	250,0	232,0	6,7
DN 20	3/4"	ANSI 300	EM405201CBB0BAQNV00BAMEGO	EA0035A5C000	KCNACHD5326	250,0	237,0	7,3
DN 25	1"	ANSI 150	EM406101CBB0BAQNV00BAMEGO	EA0035A5C000	KCNBCHD5327	250,0	239,0	7,6
DN 25	1"	ANSI 300	EM406201CBB0BAQNV00BAMEGO	EA0035A5C000	KCNBCHD5250	250,0	242,0	8,1
DN 32	1" 1/4	ANSI 150	EM407101CBB0BAQNV00BAMGGGO	EA0070A5C000	KCNBCHD5327	250,0	244,0	9,6
DN 32	1" 1/4	ANSI 300	EM407201CBB0BAQNV00BAMGGGO	EA0070A5C000	KCNBCHD5327	250,0	244,0	9,6
DN 40	1" 1/2	ANSI 150	EM408101CBB0BAQNV00BAMGGGO	EA0070A5C000	KCNCCHD5316	250,0	255,0	12,0
DN 40	1" 1/2	ANSI 300	EM408201CBB0BAQNV00BAMGGGO	EA0070A5C000	KCNCCHD5316	250,0	255,0	13,1
DN 50	2"	ANSI 150	EM409101CBB0BAQNV00BAMIGGO	EA0130A5C000	KCNCCHD5317	280,0	284,5	17,7
DN 50	2"	ANSI 300	EM409201CBB0BAQNV00BAMIGGO	EA0130A5C000	KCNCCHD5267	280,0	290,5	19,2
DN 65	2" 1/2	ANSI 150	EM410101CBB0BAQNV00BAMIGGO	EA0130A5C000	KCNDDHD5318	280,0	300,5	24,6
DN 65	2" 1/2	ANSI 300	EM410201CBB0BAQNV00BAMKGGGO	EA0240A5C000	KCNDDHD5320	280,0	306,5	27,9
DN 80	3"	ANSI 150	EM411101CBB0BAQNV00BAMKGGGO	EA0240A5C000	KCNDDHD5319	280,0	307,5	29,3
DN 80	3"	ANSI 300	EM411201CBB0BAQNV00BAMKGGGO	EA0240A5C000	KCNDDHD5320	280,0	313,5	33,2
DN 100	4"	ANSI 150	EM412101CBB0BAQNV00BAMNNAO	AE160040	KCNEEHV5336	256,5	372,0	51,7
DN 100	4"	ANSI 300	EM412201CBB0BAQNV00BAMNNAO	AE160040	KCNEEHV5361	256,5	380,0	59,3
DN 125	5"	ANSI 150	EM413101CBB0BAQNV00BAMNNAO	AE160040	KCNEEHV5336	256,5	382,0	59,3
DN 150	6"	ANSI 150	EM414101CBB0BAQNV00BAMTAO	AE160100	KCNFGHV5372	381,0	488,0	137,0
DN 150	6"	ANSI 300	EM414201CBB0BAMNV00BAMXAO	AE160200	KCNFGHV5374	381,0	488,0	140,2
DN 200	8"	ANSI 150	EM415101CBB0BAQNV00BAMTAO	AE160100	KCNFGHV5375	381,0	522,0	220,4

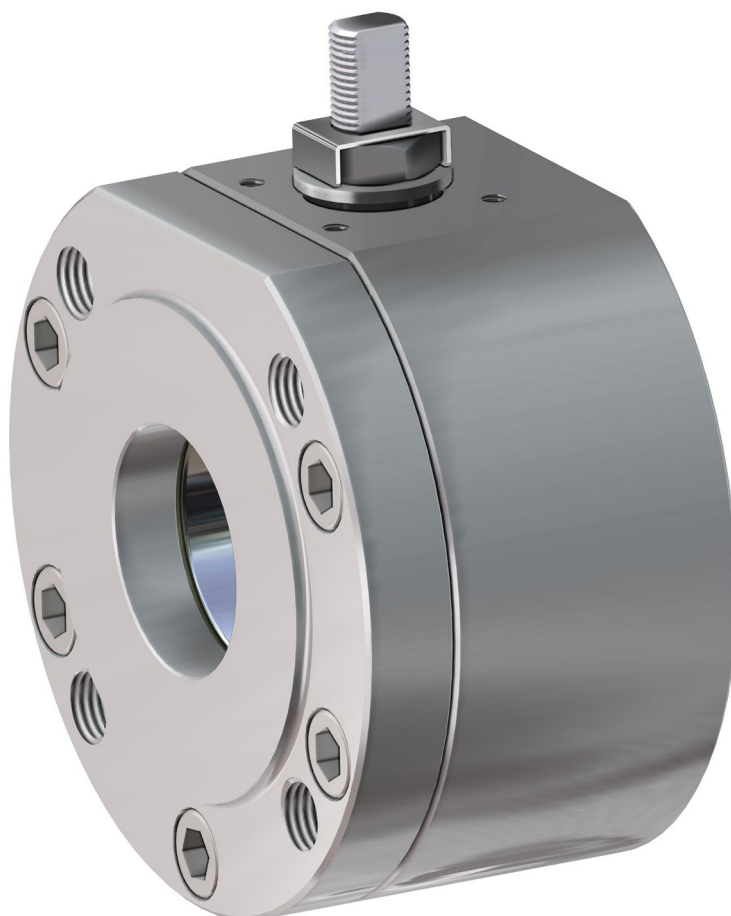
Articoli disponibili anche con attuatore modulante *Items available also with modulating actuator*





MAGNUM SPLIT WAFER PN 16-40 ANSI 150-300

ACCIAIO INOX *STAINLESS STEEL*



ESECUZIONE STANDARD

- Sfera flottante contenuta, passaggio totale.
- Tenuta soft-seat PTFE Modificato.
- Norme per flange d'attacco EN 1092-1; ASME B16.5.
- Temperatura di utilizzo vedi diagramma pressione temperatura.
- Classe di pressione: PN16-40; ANSI 150-300.
- Classe di tenuta: EN12266-1 rate A.
- Fluido intercettato: aria, acqua, gas, prodotti petroliferi e petrolchimici, fluidi aggressivi.
- Antistatic device EN12266-2.
- Tenuta stelo: pacco a V di serie in PTFE Modificato.
- Tenuta addizionale su stelo con O-ring FKM.
- Stelo anti Blow-out.
- Foratura piano per attuatore a norma ISO 5211.
- Angolo di chiusura >7°.

STANDARD FEATURES

- No protruding floating ball, full bore.
- Soft-seat seal Modified PTFE.
- Standard for connecting flanges: EN 1092-1 ed. 2008; ASME B16.5.
- Operating temperature see temperature pressure diagram.
- Pressure class: PN16-40 - ANSI 150-300.
- Tightness Class: EN12266-1 rate A.
- Intercepted fluid: air, water, gas, petroleum and petrochemical products, aggressive fluids.
- Antistatic device EN12266-2.
- Stem seal: Modified PTFE V-pack.
- Additional seal on stem with FKM O-ring.
- Anti Blow-out stem.
- Actuator connection as per standard ISO 5211.
- Closing angle >7°.

ESECUZIONI A RICHIESTA

- Per altri tipi di flangiature contattare il nostro ufficio commerciale.
- Guarnizioni di tenuta in: PTFE caricato vetro (PTFE-GF), PTFE caricato carbografito (PTFE-CF). Per altri tipi di materiale contattare il nostro ufficio commerciale.
- Esecuzione monodirezionale con foro di compensazione della pressione nella sfera.
- Leva inox.
- Dadi e molle stelo inox.
- Per esecuzioni con materiali (corpo/sfera/stelo) diversi dallo standard contattare il nostro ufficio commerciale.
- Marcatura e certificato ATEX A RICHIESTA.

FEATURES ON REQUEST

- For other flange types please contact our sales department.
- Sealing in: PTFE reinforced with glass (PTFE-GF), PTFE reinforced with carbon-graphite (PTFE-CF). For other types of materials please contact our sales department.
- Mono-directional version with pressure-relief hole in the ball.
- Stainless steel lever.
- Stainless steel Stem nuts and springs.
- For versions in materials different from the standard (body, ball, stem), please contact our sales department.
- ATEX marking and certificate **ON REQUEST**.

CERTIFICAZIONI

- Conforme alla direttiva Europea 2014/68/EU PED; Fugitive Emission ISO 15848 (ISO FE BH-C03-SSA 0); TA-LUFT VDI 2440; FIRE SAFE: ISO 10497 Third ed. 2010 / API 607 Sixth ed. 2010.
- Livello di sicurezza funzionale fino a SIL 3 in accordo a IEC 61508.
- Conforme alla direttiva ATEX 2014/34/EU, certificato ATEX A RICHIESTA.

CERTIFICATIONS

- In compliance with European Directive 2014/68/EU PED; Fugitive Emission ISO 15848 (ISO FE BH-C03-SSA 0); TA-LUFT VDI 2440; FIRE SAFE: ISO 10497 Third ed. 2010 / API 607 Sixth ed. 2010.
- Safety integrity level up to SIL 3 according to the IEC 61508.
- In compliance with ATEX 2014/34/EU Directive, ATEX certificate **ON REQUEST**.

NORME DI PROGETTAZIONE

- Spessori corpo in accordo a: ASME B16.34, ASME VIII div.1, EN 12516.
- Materiali e rating in accordo ad ASME B16.34 per valvole ANSI ed EN 12516 per valvole PN.

ENGINEERING STANDARDS

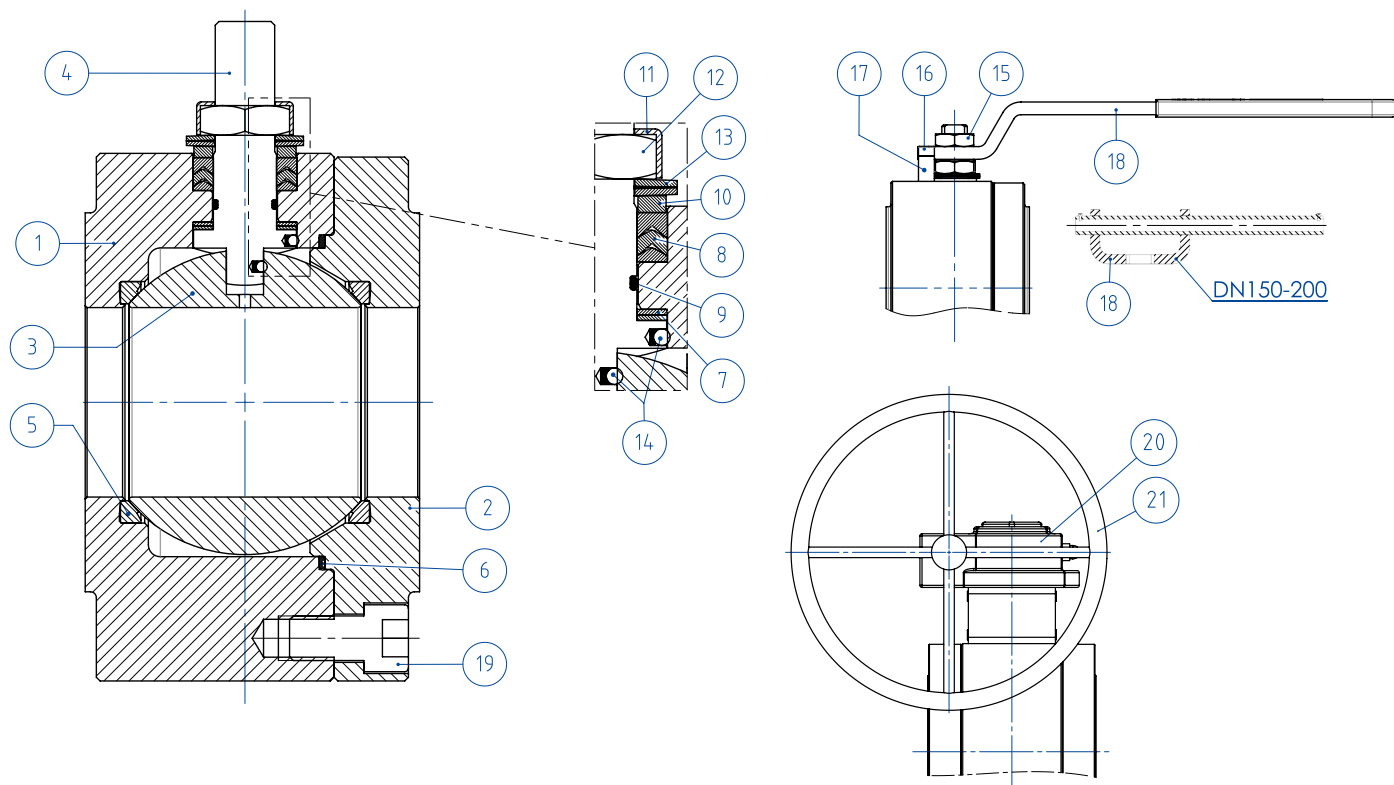
- Body thickness in compliance with: ASME B16.34, ASME VIII div.1, EN 12516.
- Materials and rating in compliance with ASME B16.34 for ANSI valves and EN 12516 for PN valves.



MAGNUM SPLIT WAFER - PN 16-40 ANSI 150-300

ACCIAIO INOX STAINLESS STEEL

TABELLA DEI MATERIALI MATERIALS TABLE



MATERIALI MATERIALS SPLIT WAFER PN16-40 ANSI 150-300 acciaio inox stainless steel

N°	Descrizione Description	316 Stainless steel
1	Corpo Body	ASTM A182 F316 / A479TP.316 (x)
2	Ghiera Ring nut	(1.4401 / X5CrNiMo17-12-2)
3	Sfera Ball	ASTM A351 CF8M (1.4408/GX5CrNiMo19-12-2)
4	Stelo Stem	A564 TP.630 (17-4PH)
5*	Seggio Seat	PTFE Modificato Modified PTFE (.) (2)
6*	Guarnizione corpo ghiera Body-ring nut gasket	GRAFOIL
7*	Tenuta inferiore stelo Stem lower sealing	PTFE Modificato Modified PTFE (.)
8*	Pacco a V Chevron rings	PTFE Modificato Modified PTFE (.)
9*	O-ring stelo Stem o-ring	FKM (.)
10	Anello premiguarnizione Packing gland ring	304 S.S.
11	Piastra blocca dado Stop nut plate	304 S.S.
12	Dado stelo Stem nut	Acciaio al carbonio zincato Carbon steel galvanized (x)
13	Molle a tazza Springs washer	Acciaio al carbonio zincato Carbon steel galvanized (xx)
14	Dispositivo antistatico Antistatic device	316 S.S.
15	Controdado Lock nut	Acciaio al carbonio zincato Carbon steel galvanized (x)
16	Vite di fermo Holder screw	A2-70 (304 S.S.)
17	Fermo di posizione Holder screw	Acciaio al carbonio zincato Carbon steel galvanized (x)
18	Leva Lever	Fe37 zincato - Galvanized (x)
19	Vite corpo-ghiera Body-ring nut screw	A2.70 (304 S.S.)
20	Riduttore Gear box	Ghisa (verniciato) Cast iron (painted)
21	Volantino Handwheel	Acciaio al carbonio Verniciato Carbon steel painted

* Componenti del kit di guarnizioni Components of seals kit

A richiesta disponibile in: Available on request:

(x): 304 s.s.

(xx): 301 s.s.

(2) DEVLON per DN150 PN25-40 - ANSI300, DN200 PN40

(2) DEVLON for DN150 PN25-40 - ANSI300, DN200 PN40

(.) Altri materiali disponibili a richiesta Other materials available on request

**MAGNUM SPLIT WAFER - PN 16-40 ANSI 150-300****ACCIAIO INOX STAINLESS STEEL****ASSE LIBERO - CON LEVA - CON RIDUTTORE FREE SHAFT - WITH LEVER - WITH GEARBOX****CODICI VALVOLE IN ACCIAIO INOX: ASSE LIBERO (V_) - CON LEVA (L_) - CON RIDUTTORE (R_) -PN-
STAINLESS STEEL VALVE CODE: FREE SHAFT (V_) - WITH LEVER (L_) - WITH GEARBOX (R_) -PN-**

MISURA SIZE		PN	316 Stainless steel
DN [mm]	[inch]		
DN 15	1/2"	PN 16-40	V/LM404F00ABA0AAQNV000
DN 20	3/4"	PN 16-40	V/LM405F00ABA0AAQNV000
DN 25	1"	PN 16-40	V/LM406F00ABA0AAQNV000
DN 32	1" 1/4	PN 16-40	V/LM407F00ABA0AAQNV000
DN 40	1" 1/2	PN 16-40	V/LM408F00ABA0AAQNV000
DN 50	2"	PN 16-40	V/LM409F00ABA0AAQNV000
DN 65	2" 1/2	PN16	V/LM410E00ABA0AAQNV000
DN 65	2" 1/2	PN25-40	V/LM410I00ABA0AAQNV000
DN 80	3"	PN 16-40	V/LM411F00ABA0AAQNV000
DN 100	4"	PN16	V/LM412E00ABA0AAQNV000
DN 100	4"	PN 25-40	V/LM412I00ABA0AAQNV000
DN 125	5"	PN 16	V/LM413E00ABA0AAQNV000
DN 125	5"	PN 25-40	V/LM413I00ABA0AAQNV000
DN150(*)	6"	PN 16	V/RM414E00ABA0AAQNV000
DN150	6"	PN 25-40	V/RM414I00ABA0AAMNV000
DN200(*)	8"	PN 16	V/RM415E00ABA0AAQNV000
DN200(*)	8"	PN 25	V/RM415H00ABA0AAQNV000
DN200	8"	PN 40	V/RM415J00ABA0AAMNV000

**CODICI VALVOLE IN ACCIAIO INOX: ASSE LIBERO (V_) - CON LEVA (L_) - CON RIDUTTORE (R_) -ANSI-
STAINLESS STEEL VALVE CODE: FREE SHAFT (V_) - WITH LEVER (L_) - WITH GEARBOX (R_) -ANSI-**

MISURA SIZE		ANSI	316 Stainless steel
DN [mm]	[inch]		
DN 15	1/2"	ANSI 150	V/LM404101ABA0AAQNV000
DN 15	1/2"	ANSI 300	V/LM404201ABA0AAQNV000
DN 20	3/4"	ANSI 150	V/LM405101ABA0AAQNV000
DN 20	3/4"	ANSI 300	V/LM405201ABA0AAQNV000
DN 25	1"	ANSI 150	V/LM406101ABA0AAQNV000
DN 25	1"	ANSI 300	V/LM406201ABA0AAQNV000
DN 32	1" 1/4	ANSI 150	V/LM407101ABA0AAQNV000
DN 32	1" 1/4	ANSI 300	V/LM407201ABA0AAQNV000
DN 40	1" 1/2	ANSI 150	V/LM408101ABA0AAQNV000
DN 40	1" 1/2	ANSI 300	V/LM408201ABA0AAQNV000
DN 50	2"	ANSI 150	V/LM409101ABA0AAQNV000
DN 50	2"	ANSI 300	V/LM409201ABA0AAQNV000
DN 65	2" 1/2	ANSI 150	V/LM410101ABA0AAQNV000
DN 65	2" 1/2	ANSI 300	V/LM410201ABA0AAQNV000
DN 80	3"	ANSI 150	V/LM411101ABA0AAQNV000
DN 80	3"	ANSI 300	V/LM411201ABA0AAQNV000
DN 100	4"	ANSI 150	V/LM412101ABA0AAQNV000
DN 100	4"	ANSI 300	V/LM412201ABA0AAQNV000
DN 125	5"	ANSI 150	V/LM413101ABA0AAQNV000
DN150(*)	6"	ANSI 150	V/RM414101ABA0AAQNV000
DN150	6"	ANSI 300	V/RM414201ABA0AAMNV000
DN200(*)	8"	ANSI 150	V/RM415101ABA0AAQNV000

DN200 ANSI300 disponibile a magazzino, contattare ufficio commerciale per verifica condizioni operative.

DN200 ANSI300 on stock, check with our sales department for operating conditions.

Versione STANDARD con riduttore manuale per DN150 e DN200. STANDARD version with manual gearbox for DN150 and DN200.

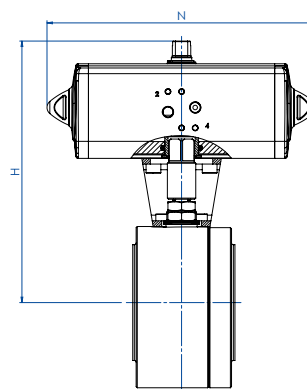
(*) A RICHIESTA versione con leva. ON REQUEST version with manual lever.



MAGNUM SPLIT WAFER - PN 16-40 ANSI 150-300

ACCIAIO INOX STAINLESS STEEL

CON ATTUATORE PNEUMATICO DA WITH DA PNEUMATIC ACTUATOR



CODICI ARTICOLI IN 316 ACCIAIO INOX -PN-

ITEM CODES IN 316 STAINLESS STEEL -PN-

MISURA DN [mm]	SIZE [inch]	PN	CODICE ARTICOLO -316- ITEM CODE -316-	ATTUATORE ACTUATOR	KIT di montaggio Mounting KIT	N [mm]	H [mm]	Peso Kg Weight Kg
DN 15	1/2"	PN 16	DM404E00ABA0AAQNV000AFBA0	DAN0015411S	KCNAAH5312	159,1	154,2	3,2
DN 15	1/2"	PN 25-40	DM404I00ABA0AAQNV000AFCA0	DAN0030411S	KCNAAH5312	174,3	161,2	3,5
DN 20	3/4"	PN 16-40	DM405F00ABA0AAQNV000AFCA0	DAN0030411S	KCNAAH5312	174,3	164,2	3,8
DN 25	1"	PN 16-40	DM406F00ABA0AAQNV000AFCA0	DAN0030411S	KCNBCH5315	174,3	181,2	6,0
DN 32	1" 1/4	PN 16-40	DM407F00ABA0AAQNV000AFDA0	DAN0045412S	KCNBCH5315	188,5	191,5	7,0
DN 40	1" 1/2	PN 16-40	DM408F00ABA0AAQNV000AFEA0	DAN0060412S	KCNCCH5316	198,1	208,4	9,8
DN 50	2"	PN 16	DM409E00ABA0AAQNV000AFGA0	DAN0106411S	KCNCCH5317	237,1	230,3	13,0
DN 50	2"	PN 25-40	DM409I00ABA0AAQNV000AFHA0	DAN0120411S	KCNCCH5317	257,4	234,0	13,1
DN 65	2" 1/2	PN 16	DM410E00ABA0AAQNV000AFHA0	DAN0120411S	KCNDDH5318	257,4	250,0	19,9
DN 65	2" 1/2	PN 25-40	DM410I00ABA0AAQNV000AFIA0	DAN0180411S	KCNDDH5319	289,9	280,5	21,8
DN 80	3"	PN 16	DM411E00ABA0AAQNV000AFIA0	DAN0180411S	KCNDDH5319	289,9	287,5	25,9
DN 80	3"	PN 25-40	DM411I00ABA0AAQNV000AFJA0	DAN0240411S	KCNDDH5319	313,6	291,1	26,7
DN 100	4"	PN 16	DM412E00ABA0AAQNV000AFKA0	DAN0360411S	KCNEEH5321	339,3	329,0	51,7
DN 100	4"	PN 25-40	DM412I00ABA0AAQNV000AFLA0	DAN0480411S	KCNEFH5322	387,7	387,7	52,7
DN 125	5"	PN 16	DM413E00ABA0AAQNV000AFLA0	DAN0480411S	KCNEFH5332	387,7	362,0	60,4
DN 125	5"	PN 25-40	DM413I00ABA0AAQNV000AFMA0	DAN0720411S	KCNEFH5348	433,1	383,0	72,6
DN 150	6"	PN 16	DM414E00ABA0AAQNV000AFMA0	DAN0720411S	KCNFGH5364	433,1	432,0	127,0
DN 150	6"	PN 25-40	DM414I00ABA0AAMNV000AFRA0	DAN1920411S	KCNGGH5600	601,0	491,7	150,4
DN 200	8"	PN 16	DM415E00ABA0AAQNV000AFQA0	DAN1440411S	KCNGGH5366	567,1	524,0	222,0
DN 200	8"	PN 25	DM415H00ABA0AAQNV000AFQA0	DAN1440411S	KCNGGH5366	567,1	524,0	224,7
DN 200	8"	PN 40	DM415J00ABA0AAMNV000AFSA0	DA2880E16D0A	KCNGHH5367	667,0	654,0	343,3

CODICI ARTICOLI IN 316 ACCIAIO INOX - ANSI-

ITEM CODES IN 316 STAINLESS STEEL - ANSI-

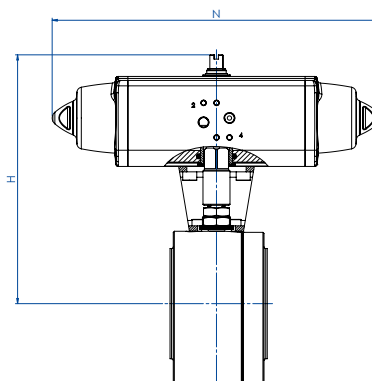
MISURA DN [mm]	SIZE [inch]	ANSI	CODICE ARTICOLO -316- ITEM CODE -316-	ATTUATORE ACTUATOR	KIT di montaggio Mounting KIT	N [mm]	H [mm]	Peso Kg Weight Kg
DN 15	1/2"	ANSI 150	DM404101ABA0AAQNV000AFBA0	DAN0015411S	KCNAAH5312	159,0	154,2	3,2
DN 15	1/2"	ANSI 300	DM404201ABA0AAQNV000AFCA0	DAN0030411S	KCNAAH5313	174,2	163,2	3,5
DN 20	3/4"	ANSI 150	DM405101ABA0AAQNV000AFCA0	DAN0030411S	KCNAAH5312	174,2	164,2	3,9
DN 20	3/4"	ANSI 300	DM405201ABA0AAQNV000AFCA0	DAN0030411S	KCNAAH5314	174,2	169,2	4,5
DN 25	1"	ANSI 150	DM406101ABA0AAQNV000AFCA0	DAN0030411S	KCNBCH5315	174,2	181,2	5,0
DN 25	1"	ANSI 300	DM406201ABA0AAQNV000AFCA0	DAN0030411S	KCNBCH5249	174,2	184,2	5,4
DN 32	1" 1/4	ANSI 150	DM407101ABA0AAQNV000AFDA0	DAN0045412S	KCNBCH5315	188,5	191,5	7,0
DN 32	1" 1/4	ANSI 300	DM407201ABA0AAQNV000AFDA0	DAN0045412S	KCNBCH5315	188,5	191,5	7,0
DN 40	1" 1/2	ANSI 150	DM408101ABA0AAQNV000AFEA0	DAN0060412S	KCNCCH5316	198,0	202,5	9,8
DN 40	1" 1/2	ANSI 300	DM408201ABA0AAQNV000AFEA0	DAN0060412S	KCNCCH5316	198,0	208,4	10,9
DN 50	2"	ANSI 150	DM409101ABA0AAQNV000AFGA0	DAN0106411S	KCNCCH5317	237,0	230,3	13,0
DN 50	2"	ANSI 300	DM409201ABA0AAQNV000AFHA0	DAN0120411S	KCNCCH5267	244,1	240,0	14,6
DN 65	2" 1/2	ANSI 150	DM410101ABA0AAQNV000AFHA0	DAN0120411S	KCNDDH5318	244,1	250,0	20,0
DN 65	2" 1/2	ANSI 300	DM410201ABA0AAQNV000AFIA0	DAN0180411S	KCNDDH5320	289,9	286,5	25,0
DN 80	3"	ANSI 150	DM411101ABA0AAQNV000AFIA0	DAN0180411S	KCNDDH5319	289,9	287,5	26,4
DN 80	3"	ANSI 300	DM411201ABA0AAQNV000AFJA0	DAN0240411S	KCNDDH5320	313,6	297,1	31,1
DN 100	4"	ANSI 150	DM412101ABA0AAQNV000AFKA0	DAN0360411S	KCNEEH5321	339,3	335,0	48,9
DN 100	4"	ANSI 300	DM412201ABA0AAQNV000AFLA0	DAN0480411S	KCNEFH5348	387,6	359,9	60,5
DN 125	5"	ANSI 150	DM413101ABA0AAQNV000AFLA0	DAN0480411S	KCNEFH5332	387,6	361,9	60,5
DN 150	6"	ANSI 150	DM414101ABA0AAQNV000AFMA0	DAN0720411S	KCNFGH5364	433,1	412,0	126,7
DN 150	6"	ANSI 300	DM414201ABA0AAMNV000AFRA0	DAN1920411S	KCNGGH5600	601,0	491,7	150,9
DN 200	8"	ANSI 150	DM415101ABA0AAQNV000AFQA0	DAN1440411S	KCNGGH5366	567,1	484,0	221,9



MAGNUM SPLIT WAFER - PN 16-40 ANSI 150-300

ACCIAIO INOX STAINLESS STEEL

CON ATTUATORE PNEUMATICO SR WITH SR PNEUMATIC ACTUATOR



MISURA SIZE		PN	CODICE ARTICOLO -316- ITEM CODE -316-	ATTUATORE ACTUATOR	KIT di montaggio Mounting KIT	N [mm]	H [mm]	Peso Kg Weight Kg
DN [mm]	[inch]							
DN 15	1/2"	PN 16	SM404E00ABA0AAQNV000AFCA0	SRN0015401S	KCNAAHD5312	233,2	161,2	3,7
DN 15	1/2"	PN 25-40	SM404I00ABA0AAQNV000AFEAO	SRN0030402S	KCNACHD5324	258,8	182,4	4,6
DN 20	3/4"	PN 16-40	SM405F00ABA0AAQNV000AFEAO	SRN0030402S	KCNACHD5324	258,8	185,4	4,9
DN 25	1"	PN 16-40	SM406F00ABA0AAQNV000AFEAO	SRN0030402S	KCNBCHD5327	258,8	192,4	6,1
DN 32	1" 1/4	PN 16-40	SM407F00ABA0AAQNV000AFGA0	SRN0053401S	KCNBCHD5328	304,2	210,3	8,9
DN 40	1" 1/2	PN 16-40	SM408F00ABA0AAQNV000AFHA0	SRN0060401S	KCNCCHD5317	338,5	225,0	11,6
DN 50	2"	PN 16	SM409E00ABA0AAQNV000AFIA0	SRN0090401S	KCNCDDH5329	393,7	264,5	16,7
DN 50	2"	PN 25-40	SM409I00ABA0AAQNV000AFJA0	SRN0120401S	KCNCDDH5329	409,6	268,1	17,6
DN 65	2" 1/2	PN 16	SM410E00ABA0AAQNV000AFJA0	SRN0120401S	KCNDDHD5319	409,6	284,1	24,3
DN 65	2" 1/2	PN 25-40	SM410I00ABA0AAQNV000AFKA0	SRN0180401S	KCNDDHD5319	474,0	291,0	26,1
DN 80	3"	PN 16	SM411E00ABA0AAQNV000AFKA0	SRN0180401S	KCNDDHD5319	474,0	298,0	30,2
DN 80	3"	PN 25-40	SM411I00ABA0AAQNV000AFLA0	SRN0240401S	KCNDEHD5330	520,5	335,0	33,8
DN 100	4"	PN 16	SM412E00ABA0AAQNV000AFMA0	SRN0360401S	KCNEFHD5332	613,0	365,0	59,5
DN 100	4"	PN 25-40	SM412I00ABA0AAQNV000AFNA0	SRN0480401S	KCNEFHD5333	648,2	385,0	66,3
DN 125	5"	PN 16	SM413E00ABA0AAQNV000AFNA0	SRN0480401S	KCNEFHD5333	648,2	395,0	74,0
DN 125	5"	PN 25-40	SM413I00ABA0AAQNV000AFQA0	SRN0720401S	KCNEGHD5356	798,0	421,0	94,5
DN 150	6"	PN 16	SM414E00ABA0AAQNV000AFQA0	SRN0720401S	KCNGGHD5368	798,0	470,0	147,4
DN 150	6"	PN 25-40	SM414I00ABA0AAMNV000AFVA0	SR1920E1608A	KCNGHHD5349	1001,0	568,5	185,4
DN 200	8"	PN 16	SM415E00ABA0AAQNV000AFSA0	SR1440E16D8A	KCNGHHD5370	834,0	647,0	272,0
DN 200	8"	PN 25	SM415H00ABA0AAQNV000AFSA0	SR1440E16D8A	KCNGHHD5370	834,0	647,0	276,7
DN 200	8"	PN 40	SM415J00ABA0AAMNV000AFWA0	SR2880E16D8A	KCNGHHD5367	1201,0	654,0	343,3

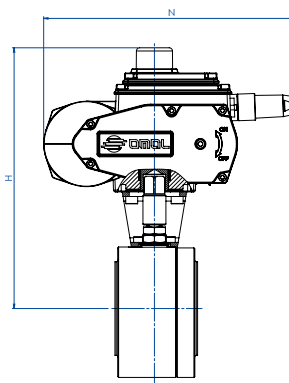
MISURA SIZE		ANSI	CODICE ARTICOLO -316- ITEM CODE -316-	ATTUATORE ACTUATOR	KIT di montaggio Mounting KIT	N [mm]	H [mm]	Peso Kg Weight Kg
DN [mm]	[inch]							
DN 15	1/2"	ANSI 150	SM404101ABA0AAQNV000AFCA0	SRN0015401S	KCNAAHD5312	233,2	161,2	3,7
DN 15	1/2"	ANSI 300	SM404201ABA0AAQNV000AFEAO	SRN0030402S	KCNACHD5325	258,8	184,4	4,6
DN 20	3/4"	ANSI 150	SM405101ABA0AAQNV000AFEAO	SRN0030402S	KCNACHD5324	258,8	185,4	4,9
DN 20	3/4"	ANSI 300	SM405201ABA0AAQNV000AFEAO	SRN0030402S	KCNACHD5326	258,8	190,4	5,6
DN 25	1"	ANSI 150	SM406101ABA0AAQNV000AFEAO	SRN0030402S	KCNBCHD5327	258,8	192,4	6,0
DN 25	1"	ANSI 300	SM406201ABA0AAQNV000AFEAO	SRN0030402S	KCNBCHD5250	258,8	195,4	6,4
DN 32	1" 1/4	ANSI 150	SM407101ABA0AAQNV000AFGA0	SRN0053401S	KCNBCHD5328	304,2	210,3	8,9
DN 32	1" 1/4	ANSI 300	SM407201ABA0AAQNV000AFGA0	SRN0053401S	KCNBCHD5328	304,2	210,3	8,9
DN 40	1" 1/2	ANSI 150	SM408101ABA0AAQNV000AFHA0	SRN0060401S	KCNCCHD5317	338,5	225,0	11,6
DN 40	1" 1/2	ANSI 300	SM408201ABA0AAQNV000AFHA0	SRN0060401S	KCNCCHD5317	338,5	225,0	12,7
DN 50	2"	ANSI 150	SM409101ABA0AAQNV000AFIA0	SRN0090401S	KCNCDDH5329	393,7	264,5	16,7
DN 50	2"	ANSI 300	SM409201ABA0AAQNV000AFJA0	SRN0120401S	KCNCDDH5268	409,6	274,1	19,1
DN 65	2" 1/2	ANSI 150	SM410101ABA0AAQNV000AFJA0	SRN0120401S	KCNDDHD5319	409,6	284,1	24,4
DN 65	2" 1/2	ANSI 300	SM410201ABA0AAQNV000AFKA0	SRN0180401S	KCNDDHD5320	474,0	297,0	29,3
DN 80	3"	ANSI 150	SM411101ABA0AAQNV000AFKA0	SRN0180401S	KCNDDHD5319	474,0	298,0	30,7
DN 80	3"	ANSI 300	SM411201ABA0AAQNV000AFLA0	SRN0240401S	KCNDEHD5331	520,5	341,0	37,7
DN 100	4"	ANSI 150	SM412101ABA0AAQNV000AFMA0	SRN0360401S	KCNEFHD5332	613,0	365,0	56,8
DN 100	4"	ANSI 300	SM412201ABA0AAQNV000AFNA0	SRN0480401S	KCNEFHD5389	648,2	393,0	74,2
DN 125	5"	ANSI 150	SM413101ABA0AAQNV000AFNA0	SRN0480401S	KCNEFHD5333	648,2	395,0	74,1
DN 150	6"	ANSI 150	SM414101ABA0AAQNV000AFQA0	SRN0720401S	KCNGGHD5368	798,0	470,0	148,4
DN 150	6"	ANSI 300	SM414201ABA0AAMNV000AFVA0	SR1920E1608A	KCNGHHD5349	1001,0	568,5	185,9
DN 200	8"	ANSI 150	SM415101ABA0AAQNV000AFSA0	SR1440E16D8A	KCNGHHD5370	834,0	647,0	273,9



MAGNUM SPLIT WAFER - PN 16-40 ANSI 150-300

ACCIAIO INOX STAINLESS STEEL

CON ATTUATORE ELETTRICO WITH ELECTRIC ACTUATOR



CODICI ARTICOLI IN 316 ACCIAIO INOX -PN- ITEM CODES IN 316 STAINLESS STEEL -PN-

MISURA DN [mm]	SIZE [inch]	PN	CODICE ARTICOLO -316- ITEM CODE -316-	ATTUATORE ACTUATOR	KIT di montaggio Mounting KIT	N [mm]	H [mm]	Peso Kg Weight Kg
DN 15	1/2"	PN 16-40	EM404F00ABA0AAQNV000AMEGO	EA0035A5C000	KCNACHD5324	250,0	229,0	6,3
DN 20	3/4"	PN 16-40	EM405F00ABA0AAQNV000AMEGO	EA0035A5C000	KCNACHD5324	250,0	232,0	6,6
DN 25	1"	PN 16-40	EM406F00ABA0AAQNV000AMEGO	EA0035A5C000	KCNBCHD5327	250,0	239,0	7,7
DN 32	1" 1/4	PN 16-40	EM407F00ABA0AAQNV000AMGG0	EA0070A5C000	KCNBCHD5327	250,0	244,0	9,6
DN 40	1" 1/2	PN 16-40	EM408F00ABA0AAQNV000AMGG0	EA0070A5C000	KCNCCHD5316	250,0	255,0	12,0
DN 50	2"	PN 16-40	EM409F00ABA0AAQNV000AMIG0	EA0130A5C000	KCNCCHD5317	280,0	284,7	17,7
DN 65	2" 1/2	PN 16	EM410E00ABA0AAQNV000AMIG0	EA0130A5C000	KCNDHD5318	280,0	300,5	24,8
DN 65	2" 1/2	PN 25-40	EM410I00ABA0AAQNV000AMKGO	EA0240A5C000	KCNDHD5319	280,0	300,5	24,7
DN 80	3"	PN 16-40	EM411F00ABA0AAQNV000AMKGO	EA0240A5C000	KCNDHD5319	280,0	307,5	28,8
DN 100	4"	PN 16	EM412E00ABA0AAQNV000AMNA0	AE160040	KCNEEHV5336	256,5	372,0	51,4
DN 100	4"	PN 25-40	EM412I00ABA0AAQNV000AMNA0	AE160040	KCNEEHV5336	256,5	372,0	51,5
DN 125	5"	PN 16	EM413E00ABA0AAQNV000AMNA0	AE160040	KCNEEHV5336	256,5	382,0	59,2
DN 125	5"	PN 25-40	EM413I00ABA0AAQNV000AMRA0	AE160060	KCNEEHV5362	381,0	439,0	81,9
DN 150	6"	PN 16	EM414E00ABA0AAQNV000AMTA0	AE160100	KCNFGHV5372	381,0	488,0	136,0
DN 150	6"	PN 25-40	EM414I00ABA0AAMNV000AMXA0	AE160200	KCNFGHV5374	381,0	488,0	139,7
DN 200	8"	PN 16	EM415E00ABA0AAQNV000AMTA0	AE160100	KCNFGHV5375	381,0	522,0	218,5
DN 200	8"	PN 25	EM415H00ABA0AAQNV000AMXA0	AE160200	KCNFGHV5376	381,0	522,0	224,8
DN 200	8"	PN 40	EM415J00ABA0AAMNV000AMXA0	AE160200	KCNFGHV5377	381,0	529,0	248,3

CODICI ARTICOLI IN 316 ACCIAIO INOX -ANSI- ITEM CODES IN 316 STAINLESS STEEL -ANSI-

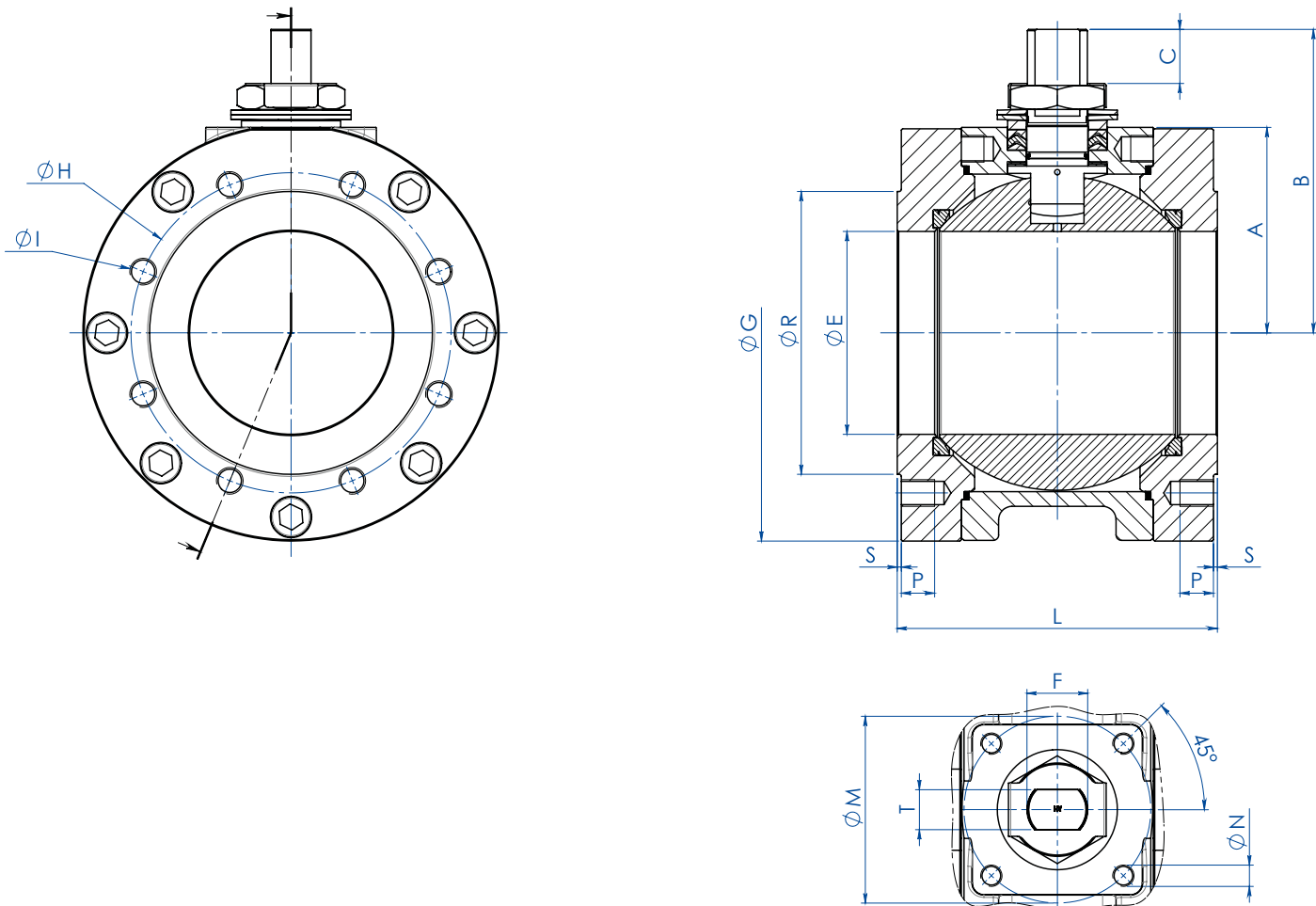
MISURA DN [mm]	SIZE [inch]	ANSI	CODICE ARTICOLO -316- ITEM CODE -316-	ATTUATORE ACTUATOR	KIT di montaggio Mounting KIT	N [mm]	H [mm]	Peso Kg Weight Kg
DN 15	1/2"	ANSI 150	EM404101ABA0AAQNV000AMEGO	EA0035A5C000	KCNACHD5324	250,0	229,0	6,3
DN 15	1/2"	ANSI 300	EM404201ABA0AAQNV000AMEGO	EA0035A5C000	KCNACHD5325	250,0	231,0	6,3
DN 20	3/4"	ANSI 150	EM405101ABA0AAQNV000AMEGO	EA0035A5C000	KCNACHD5324	250,0	232,0	6,7
DN 20	3/4"	ANSI 300	EM405201ABA0AAQNV000AMEGO	EA0035A5C000	KCNACHD5326	250,0	237,0	7,3
DN 25	1"	ANSI 150	EM406101ABA0AAQNV000AMEGO	EA0035A5C000	KCNBCHD5327	250,0	239,0	7,6
DN 25	1"	ANSI 300	EM406201ABA0AAQNV000AMEGO	EA0035A5C000	KCNBCHD5250	250,0	242,0	8,1
DN 32	1" 1/4	ANSI 150	EM407101ABA0AAQNV000AMGG0	EA0070A5C000	KCNBCHD5327	250,0	244,0	9,6
DN 32	1" 1/4	ANSI 300	EM407201ABA0AAQNV000AMGG0	EA0070A5C000	KCNBCHD5327	250,0	244,0	9,6
DN 40	1" 1/2	ANSI 150	EM408101ABA0AAQNV000AMGG0	EA0070A5C000	KCNCCHD5316	250,0	255,0	12,0
DN 40	1" 1/2	ANSI 300	EM408201ABA0AAQNV000AMGG0	EA0070A5C000	KCNCCHD5316	250,0	255,0	13,1
DN 50	2"	ANSI 150	EM409101ABA0AAQNV000AMIG0	EA0130A5C000	KCNCCHD5317	280,0	284,5	17,7
DN 50	2"	ANSI 300	EM409201ABA0AAQNV000AMIG0	EA0130A5C000	KCNCCHD5267	280,0	290,5	19,2
DN 65	2" 1/2	ANSI 150	EM410101ABA0AAQNV000AMIG0	EA0130A5C000	KCNDHD5318	280,0	300,5	24,6
DN 65	2" 1/2	ANSI 300	EM410201ABA0AAQNV000AMKGO	EA0240A5C000	KCNDHD5320	280,0	306,5	27,9
DN 80	3"	ANSI 150	EM411101ABA0AAQNV000AMKGO	EA0240A5C000	KCNDHD5319	280,0	307,5	29,3
DN 80	3"	ANSI 300	EM411201ABA0AAQNV000AMKGO	EA0240A5C000	KCNDHD5320	280,0	313,5	33,2
DN 100	4"	ANSI 150	EM412101ABA0AAQNV000AMNA0	AE160040	KCNEEHV5336	256,5	372,0	51,7
DN 100	4"	ANSI 300	EM412201ABA0AAQNV000AMNA0	AE160040	KCNEEHV5361	256,5	380,0	59,3
DN 125	5"	ANSI 150	EM413101ABA0AAQNV000AMNA0	AE160040	KCNEEHV5336	256,5	382,0	59,3
DN 150	6"	ANSI 150	EM414101ABA0AAQNV000AMTA0	AE160100	KCNFGHV5372	381,0	488,0	137,0
DN 150	6"	ANSI 300	EM414201ABA0AAMNV000AMXA0	AE160200	KCNFGHV5374	381,0	488,0	140,2
DN 200	8"	ANSI 150	EM415101ABA0AAQNV000AMTA0	AE160100	KCNFGHV5375	381,0	522,0	220,4

Articoli disponibili anche con attuatore modulante *Items available also with modulating actuator*



MAGNUM SPLIT WAFER PN 16-40 ANSI 150-300

ACCIAIO INOX DA FUSIONE *CASTING STAINLESS STEEL*



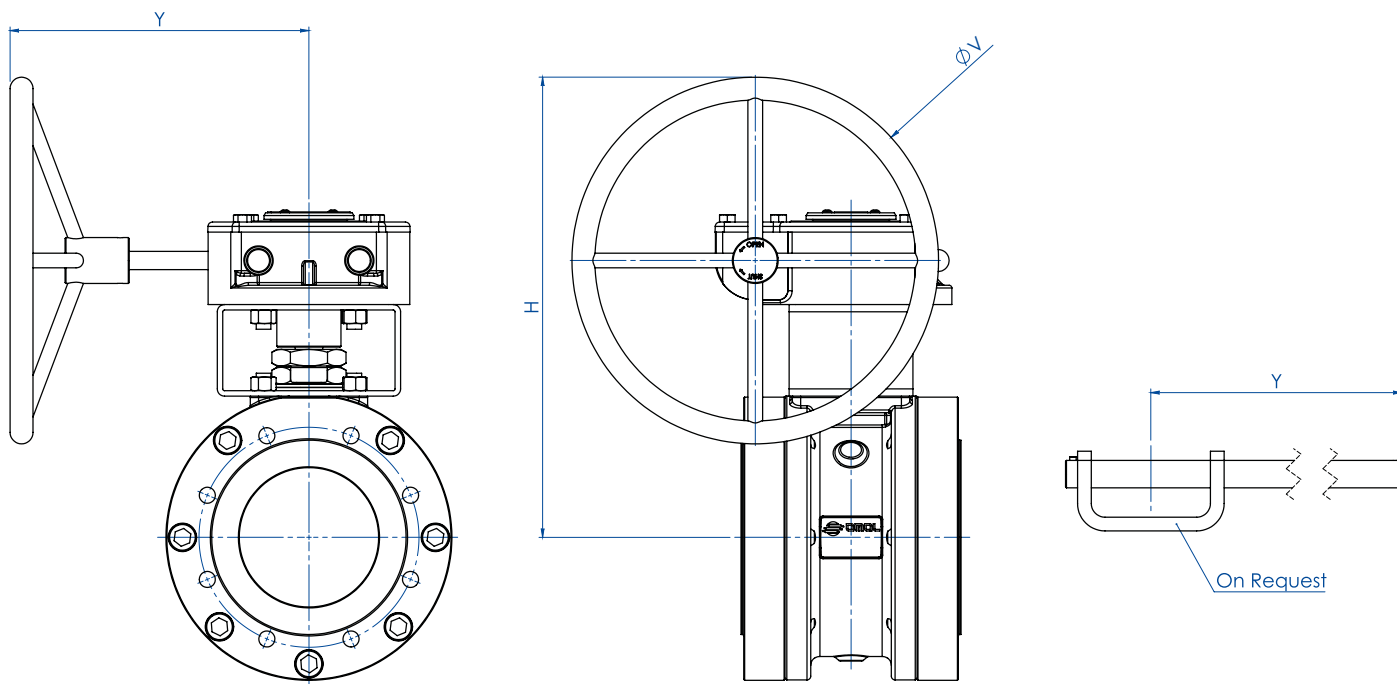
MISURA SIZE		DIMENSIONI ASSE NUDO										FREE SHAFT DIMENSIONS					PN			
DN [mm]	SIZE [inch]	PN	ØE	A	B	C	ØG	ØR	S	ØH	N° FORI HOLES N°	ØI	P	F/T	ATT. ISO	ØM	ØN	L	Kg	KIT GUARNIZIONI SEALS KIT
DN 150	6"	PN16	152	154	227,5	40,5	332	212	3	240	8	M20	25	45/30	F14	140	M16	240	84,4	KGBV485140
DN 150	6"	PN25-40	152	154	227,5	40,5	332	218	3	250	8	M24	24	45/30	F14	140	M16	240	86,6	KGBV48514D
DN 200	8"	PN16	188	188	274	44,8	396	268	3	295	12	M20	30	52/35	F14	140	M16	314	151,0	KGBV485150
DN 200	8"	PN25	203	188	274	44,8	396	278	3	310	12	M24	30	52/35	F14	140	M16	314	155,7	KGBV485150

MISURA SIZE		DIMENSIONI ASSE NUDO										FREE SHAFT DIMENSIONS					ANSI			
DN [mm]	SIZE [inch]	ANSI	ØE	A	B	C	ØG	ØR	S	ØH	N° FORI HOLES N°	ØI	P	F/T	ATT. ISO	ØM	ØN	L	Kg	KIT GUARNIZIONI SEALS KIT
DN 150	6"	ANSI150	152	154	227,5	40,5	332	215,9	1,6	241,3	8	3/4"UNC	25	45/30	F14	140	M16	240	85,4	KGBV485140
DN 150	6"	ANSI300	152	154	227,5	40,5	332	215,9	1,6	269,7	12	3/4"UNC	25	45/30	F14	140	M16	240	87,2	KGBV48514D
DN 200	8"	ANSI150	203	188	274	44,8	396	269,7	1,6	298,4	8	3/4"UNC	30	52/35	F14	140	M16	314	152,9	KGBV485150



MAGNUM SPLIT WAFER PN 16-40 ANSI 150-300

ACCIAIO INOX DA FUSIONE *CASTING STAINLESS STEEL*

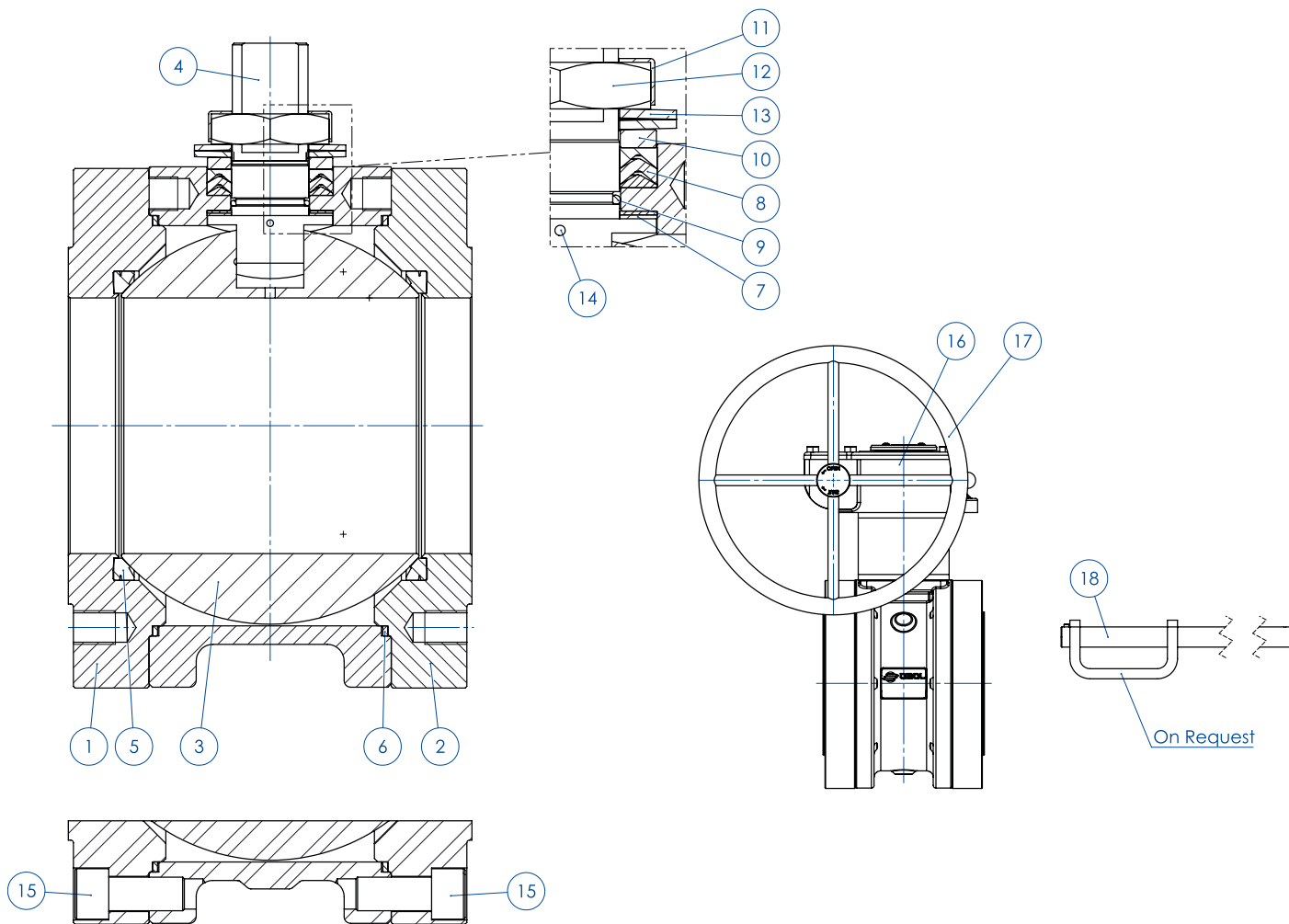


MISURA SIZE		DIMENSIONI RIDUTTORE	GEARBOX DIMENSIONS			PN	
DN [mm]	[inch]	PN	H	Y	ØV	Kg	KIT LEVA LEVER KIT
DN 150	6"	PN16	522	326	400	126	---
DN 150	6"	PN25-40	522	347	600	147	---
DN 200	8"	PN16	516	347	500	200	---
DN 200	8"	PN25	516	347	500	200	---

MISURA SIZE		DIMENSIONI RIDUTTORE	GEARBOX DIMENSIONS			ANSI	
DN [mm]	[inch]	ANSI	H	Y	ØV	Kg	KIT LEVA LEVER KIT
DN 150	6"	ANSI 150	522	326	400	126	---
DN 150	6"	ANSI 300	522	347	600	147	---
DN 200	8"	ANSI 150	516	347	500	200	---



MAGNUM SPLIT WAFER - PN 16-40 ANSI 150-300
ACCIAIO INOX DA FUSIONE CASTING STAINLESS STEEL
TABELLA DEI MATERIALI MATERIALS TABLE



MATERIALI MATERIALS
SPLIT WAFER PN16-40 ANSI 150-300 DA FUSIONE CASTING

N°	Descrizione Description	CF8M Stainless steel
1	Corpo Body	ASTM A351 CF8M (1.4408/Gx5CrNiMo19-12-2)
2	Ghiera Ring Nut	ASTM A182 F316 / A479TP.316 (1.4401 / X5CrNiMo17-12-2)
3	Sfera Ball	ASTM A351 CF8M (1.4408/GX5CrNiMo19-12-2)
4	Stelo Stem	A564 TP.630 (17-4PH)
5*	Seggio Seat	PTFE Modificato Modified PTFE (.) (2)
6*	Guarnizione corpo ghiera Body-ring nut gasket	GRAFOIL
7*	Tenuta inferiore stelo Stem lower sealing	PTFE Modificato Modified PTFE (.)
8*	Pacco a V Chevron rings	PTFE Modificato Modified PTFE (.)
9*	O-ring stelo Stem o-ring	FKM (.)
10	Anello premiguarnizione Packing gland ring	304 S.S.
11	Piastra blocca dado Stop nut plate	304 S.S.
12	Dado stelo Stem nut	Acciaio al carbonio zincato Carbon steel galvanized (x)
13	Molle a tazza Springs washer	Acciaio al carbonio zincato Carbon steel galvanized (xx)
14	Dispositivo antistatico Antistatic device	316 S.S.
15	Vite corpo-ghiera Body-ring nut screw	A2.70 (304 S.S)
16	Riduttore Gear box	Ghisa (verniciato) Cast iron (painted)
17	Volantino Handwheel	Acciaio al carbonio Verniciato Carbon steel painted
18	Leva Lever	Fe37 zincato - Galvanized (x)

* Componenti del kit di guarnizioni Components of seals kit

A richiesta disponibile in: Available on request:

(x): 304 s.s.

(xx): 301 s.s.

(2) DEVLON per DN150 PN25-40 - ANSI300 DEVLON for DN150 PN25-40 - ANSI300

(.): Altri materiali disponibili a richiesta Other materials available on request



MAGNUM SPLIT WAFER - PN 16-40 ANSI 150-300
ACCIAIO INOX DA FUSIONE CASTING STAINLESS STEEL
ASSE LIBERO - CON LEVA - CON RIDUTTORE FREE SHAFT - WITH LEVER - WITH GEARBOX



CODICI VALVOLE ASSE LIBERO (V_) - CON LEVA (L_) - CON RIDUTTORE (R_) IN ACCIAIO INOX DA FUSIONE
CASTING STAINLESS STEEL FREE SHAFT (V_) - WITH LEVER (L_) - WITH GEAR BOX (R_) OPERATED VALVE CODE

MISURA	SIZE	PN	CODICE ARTICOLO -CF8M	ITEM CODE -CF8M-
DN [mm]	[inch]			
DN150 (*)	6"	PN16	V/RM414E00AHA0AAQNV000	
DN150	6"	PN25-40	V/RM414I00AHA0AAMNV000	
DN200 (*)	8"	PN16	V/RM415E00AHA0AAQNV000	
DN200 (*)	8"	PN25	V/RM415H00AHA0AAQNV000	

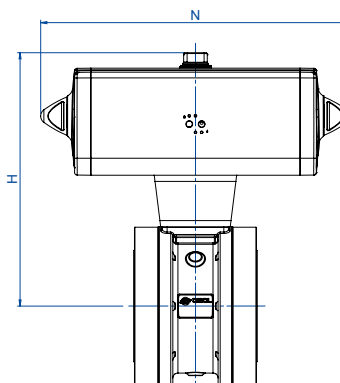
CODICI VALVOLE ASSE LIBERO (V_) - CON LEVA (L_) - CON RIDUTTORE (R_) IN ACCIAIO INOX DA FUSIONE
CASTING STAINLESS STEEL FREE SHAFT (V_) - WITH LEVER (L_) - WITH GEAR BOX (R_) OPERATED VALVE CODE

MISURA	SIZE	ANSI	CODICE ARTICOLO -CF8M	ITEM CODE -CF8M-
DN [mm]	[inch]			
DN150 (*)	6"	ANSI 150	V/RM414101AHA0AAQNV000	
DN150	6"	ANSI 300	V/RM414201AHA0AAMNV000	
DN200 (*)	8"	ANSI 150	V/RM415101AHA0AAQNV000	

Versione STANDARD con riduttore manuale per DN150 e DN200. *STANDARD version with manual gearbox for DN150 and DN200.*
 (*) A RICHIESTA versione con leva. *ON REQUEST version with manual lever.*



MAGNUM SPLIT WAFER - PN 16-40 ANSI 150-300
ACCIAIO INOX DA FUSIONE CASTING STAINLESS STEEL
CON ATTUATORE PNEUMATICO DA WITH DA PNEUMATIC ACTUATOR

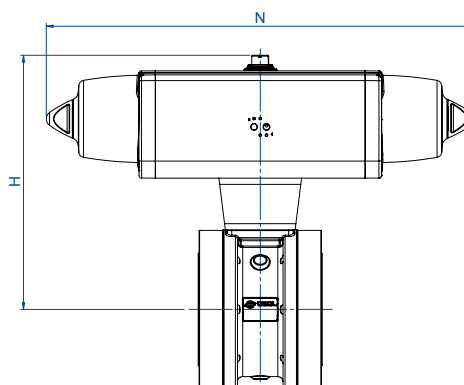


MISURA SIZE			PN	CODICE ARTICOLO ITEM CODE	ATTUATORE ACTUATOR	KIT di montaggio Mounting KIT	N [mm]	H [mm]	Peso Kg Weight Kg
DN [mm]	[inch]								
DN 150	6"	PN 16	DM414E00AHA0AAQNV000AFMA0	DAN0720411S	KCNFGHD5364	433,1	432,0	102,1	
DN 150	6"	PN 25-40	DM414I00AHA0AAMNV000AFRA0	DAN1920411S	KCNGGHD5600	601,0	491,7	125,5	
DN 200	8"	PN 16	DM415E00AHA0AAQNV000AFQA0	DAN1440411S	KCNGGHD5366	567,1	524,0	181,5	
DN 200	8"	PN 25	DM415H00AHA0AAQNV000AFQA0	DAN1440411S	KCNGGHD5366	567,1	524,0	184,0	

MISURA SIZE			ANSI	CODICE ARTICOLO ITEM CODE	ATTUATORE ACTUATOR	KIT di montaggio Mounting KIT	N [mm]	H [mm]	Peso Kg Weight Kg
DN [mm]	[inch]								
DN 150	6"	ANSI 150	DM414101AHA0AAQNV000AFMA0	DAN0720411S	KCNFGHD5364	433,1	412,0	101,8	
DN 150	6"	ANSI 300	DM414201AHA0AAMNV000AFRA0	DAN1920411S	KCNGGHD5600	601,0	491,7	126,1	
DN 200	8"	ANSI 150	DM415101AHA0AAQNV000AFQA0	DAN1440411S	KCNGGHD5366	567,1	484,0	181,1	



MAGNUM SPLIT WAFER - PN 16-40 ANSI 150-300 ACCIAIO INOX DA FUSIONE *CASTING STAINLESS STEEL* CON ATTUATORE PNEUMATICO SR *WITH SR PNEUMATIC ACTUATOR*



CODICI ARTICOLI IN CF8M ACCIAIO INOX

ITEM CODES IN CF8M STAINLESS STEEL

MISURA DN [mm]	SIZE [inch]	PN	CODICE ARTICOLO ITEM CODE	ATTUATORE ACTUATOR	KIT di montaggio Mounting KIT	N [mm]	H [mm]	Peso Kg Weight Kg
DN 150	6"	PN 16	SM414E00AHA0AAQNV000AFQA0	SRN0720401S	KCNGGHD5368	798,0	470,0	122,5
DN 150	6"	PN 25-40	SM414I00AHA0AAMNV000AFVA0	SR1920E1608A	KCNGHHD5349	1001,0	568,5	160,5
DN 200	8"	PN 16	SM415E00AHA0AAQNV000AFSA0	SR1440E16D8A	KCNGHHD5370	834,0	647,0	231,5
DN 200	8"	PN 25	SM415H00AHA0AAQNV000AFSA0	SR1440E16D8A	KCNGHHD5370	834,0	647,0	236,0

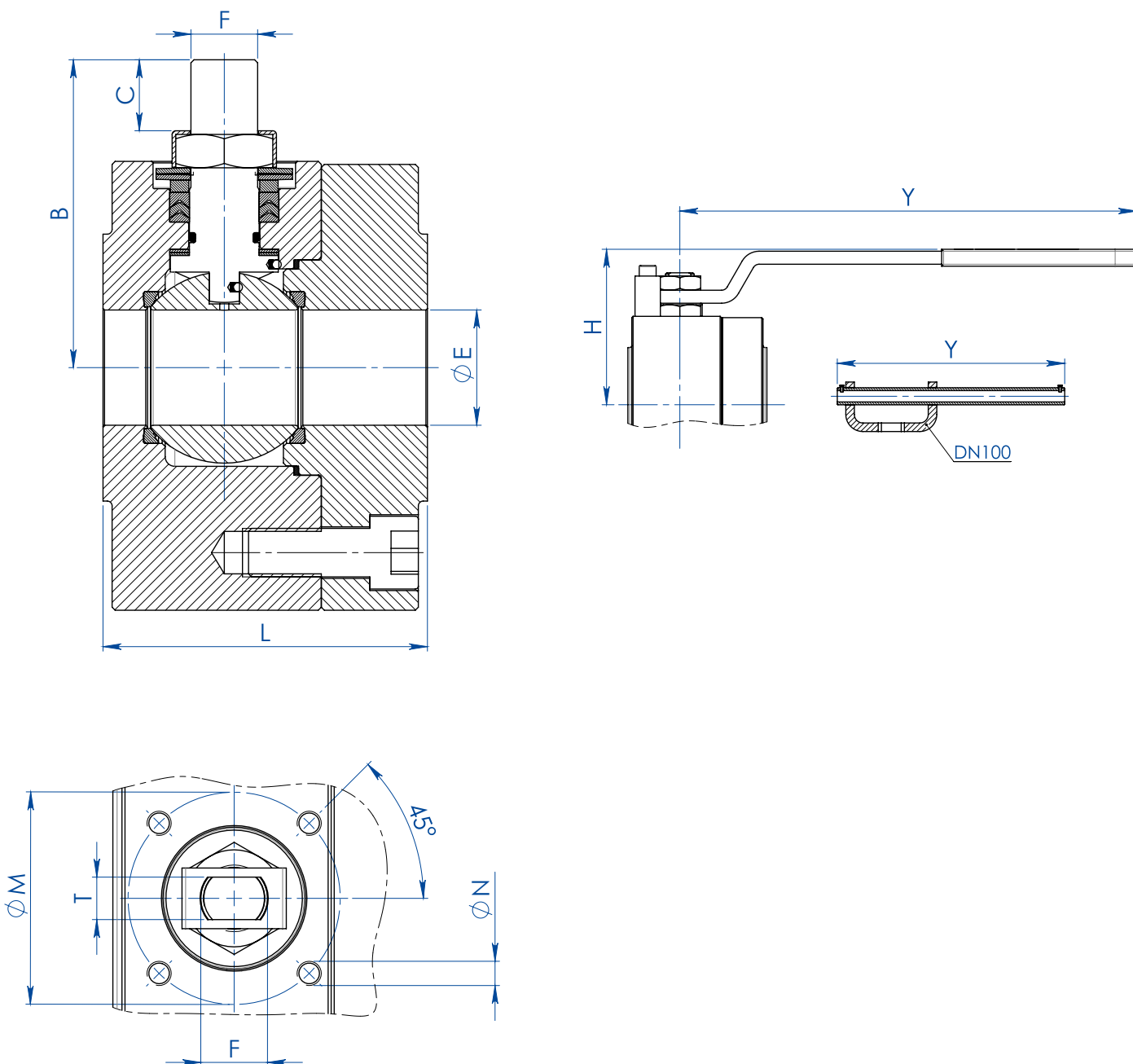
CODICI ARTICOLI IN CF8M ACCIAIO INOX

ITEM CODES IN CF8M STAINLESS STEEL

MISURA DN [mm]	SIZE [inch]	ANSI	CODICE ARTICOLO ITEM CODE	ATTUATORE ACTUATOR	KIT di montaggio Mounting KIT	N [mm]	H [mm]	Peso Kg Weight Kg
DN 150	6"	ANSI 150	SM414101AHA0AAQNV000AFQA0	SRN0720401S	KCNGGHD5368	798,0	470,0	123,5
DN 150	6"	ANSI 300	SM414201AHA0AAMNV000AFVA0	SR1920E1608A	KCNGHHD5349	1001,0	568,5	161,0
DN 200	8"	ANSI 150	SM415101AHA0AAQNV000AFSA0	SR1440E16D8A	KCNGHHD5370	834,0	647,0	233,0



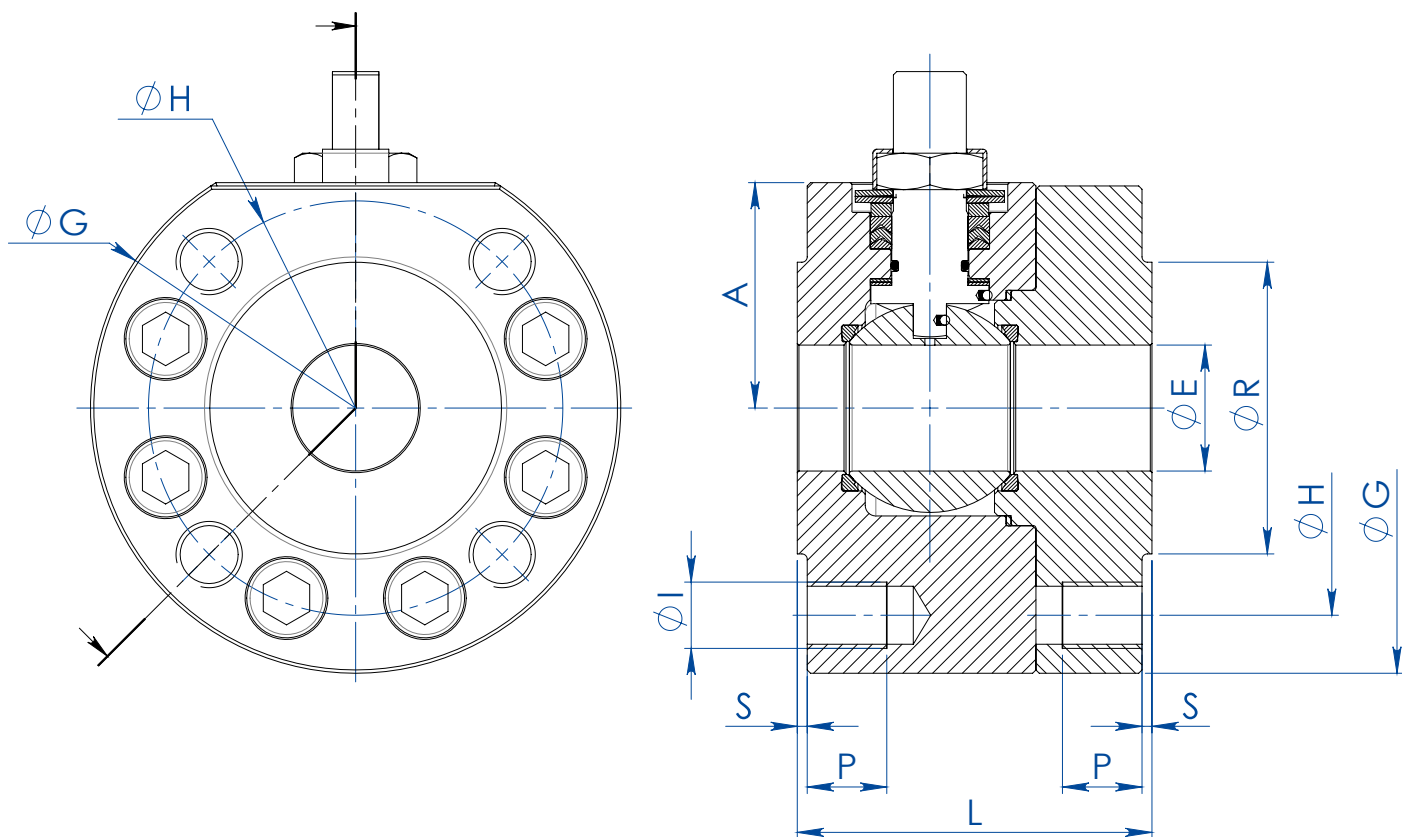
MAGNUM SPLIT WAFER PN 63-100 ANSI 600



MISURA SIZE		DIMENSIONI DIMENSIONS										
DN [mm]	[inch]	ØE	L	B	C	ATT.ISO	ØM	ØN	F/T	H	Y	KIT LEVA LEVER KIT
DN 15	1/2"	13	68	54,5	9,5	F04	42	M5	12/8	80	150	KLV58006
DN 20	3/4"	19	72	57,5	9,5	F04	42	M5	12/8	83	150	KLV58006
DN 25	1"	25	87	71,5	14,6	F05	50	M6	16/10	95	275	KLV58008
DN 32	1" 1/4	32	92	76,5	14,6	F05	50	M6	16/10	100	275	KLV58008
DN 40	1" 1/2	38	107	98,5	20,4	F07	70	M8	22/14	120	350	KLV58010
DN 50	2"	51	115	107,5	20,4	F07	70	M8	22/14	129	350	KLV58010
DN 65	2" 1/2	64	140	144	25,1	F10	102	M10	30/18	180	450	KLV58012
DN 80	3"	76	150	151,5	25,1	F10	102	M10	30/18	188	450	KLV58012
DN 100	4"	102	190	196,5	40,5	F14	140	M16	45/30	233	800	KLV58014



MAGNUM SPLIT WAFER PN 63-100 ANSI 600



MISURA SIZE		DIMENSIONI DIMENSIONS -PN-											KIT GUARNIZIONI SEALS KIT
DN [mm]	SIZE [inch]	PN	A	$\varnothing G$	$\varnothing R$	S	$\varnothing H$	N°FORI HOLES N°	$\varnothing I$	P	Kg	L	
DN 15	1/2"	PN 63-100	40	95	45	2	75	4	M12	16	4,2	68	KGBV472040
DN 20	3/4"	PN 63-100	45	115	58	2	90	4	M16	20	6,7	72	KGBV472050
DN 25	1"	PN 63-100	50	125	68	2	100	4	M16	20	6,9	87	KGBV472060
DN 32	1" 1/4	PN 63-100	55	145	78	2	110	4	M20	24	9,3	92	KGBV472070
DN 40	1" 1/2	PN 63-100	68	160	88	3	125	4	M20	24	13,5	107	KGBV472080
DN 50	2"	PN 63	79	170	102	3	135	4	M20	24	16,5	115	KGBV472090
DN 50	2"	PN 100	79	185	102	3	145	4	M24	28	19,5	115	KGBV472090
DN 65	2" 1/2	PN 63	94	208	122	3	160	8	M20	25	29,5	140	KGBV472100
DN 65	2" 1/2	PN 100	101	220	122	3	170	8	M24	30	33,2	140	KGBV472100
DN 80	3"	PN 63	101,5	220	138	3	170	8	M20	25	34,9	150	KGBV472110
DN 80	3"	PN 100	108,5	235	138	3	180	8	M24	30	40,3	150	KGBV472110
DN 100	4"	PN 63	123	275	162	3	200	8	M24	30	67,5	190	KGBV472120
DN 100	4"	PN 100	123	275	162	3	210	8	M27	32	67,2	190	KGBV472120

MISURA SIZE		DIMENSIONI DIMENSIONS -ANSI-											KIT GUARNIZIONI SEALS KIT
DN [mm]	SIZE [inch]	ANSI	A	$\varnothing G$	$\varnothing R$	S	$\varnothing H$	N°FORI HOLES N°	$\varnothing I$	P	Kg	L	
DN 15	1/2"	ANSI 600	40	95	35,1	6,4	66,5	4	1/2"UNC	16	4,1	68	KGBV472040
DN 20	3/4"	ANSI 600	45	115	42,9	6,4	82,6	4	5/8"UNC	20	4,4	72	KGBV472050
DN 25	1"	ANSI 600	50	125	50,8	6,4	88,9	4	5/8"UNC	20	6,3	87	KGBV472060
DN 32	1" 1/4	ANSI 600	55	135	63,5	6,4	98,6	4	5/8"UNC	20	7,6	92	KGBV472070
DN 40	1" 1/2	ANSI 600	68	155	73	6,4	114,3	4	3/4"UNC	24	11,2	107	KGBV472080
DN 50	2"	ANSI 600	79	170	91,9	6,4	127	8	5/8"UNC	20	15,5	115	KGBV472090
DN 65	2" 1/2	ANSI 600	94	208	104,6	6,4	149,4	8	3/4"UNC	25	28,3	140	KGBV472100
DN 80	3"	ANSI 600	101,5	220	127	6,4	168,1	8	3/4"UNC	25	33,8	150	KGBV472110
DN 100	4"	ANSI 600	126	279	157,2	6,4	215,9	8	7/8"UNC	30	68,2	190	KGBV472120



MAGNUM SPLIT WAFER PN 63-100 ANSI 600

DIAGRAMMA PRESSIONE/TEMPERATURA PER VALVOLE CON CORPO IN ACCIAIO AL CARBONIO TEMPERATURE/PRESSURE DIAGRAM FOR CARBON STEEL VALVE

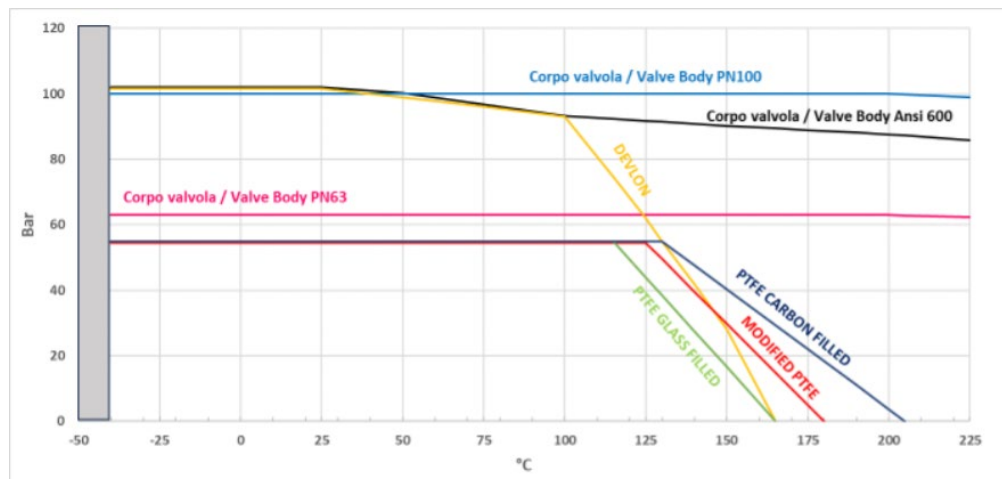
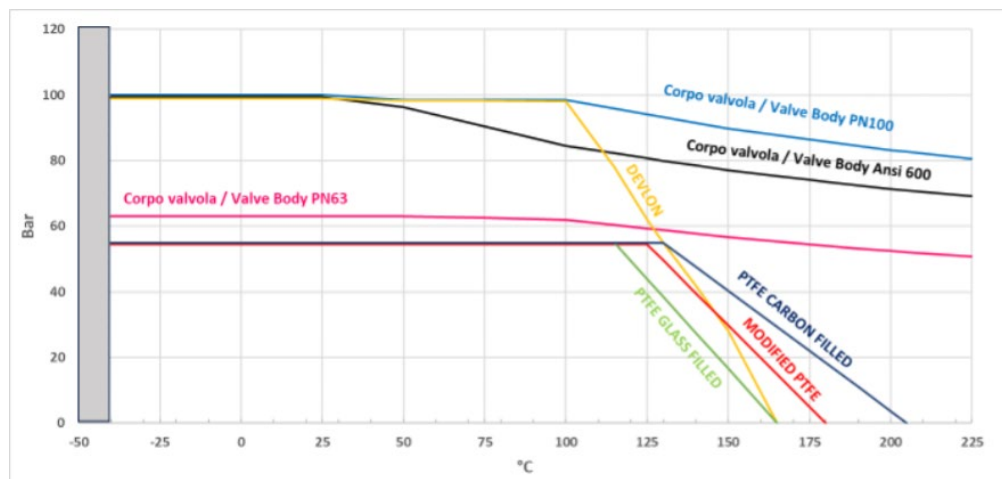


DIAGRAMMA PRESSIONE/TEMPERATURA PER VALVOLE CON CORPO IN ACCIAIO INOX TEMPERATURE/PRESSURE DIAGRAM FOR STAINLESS STEEL VALVE

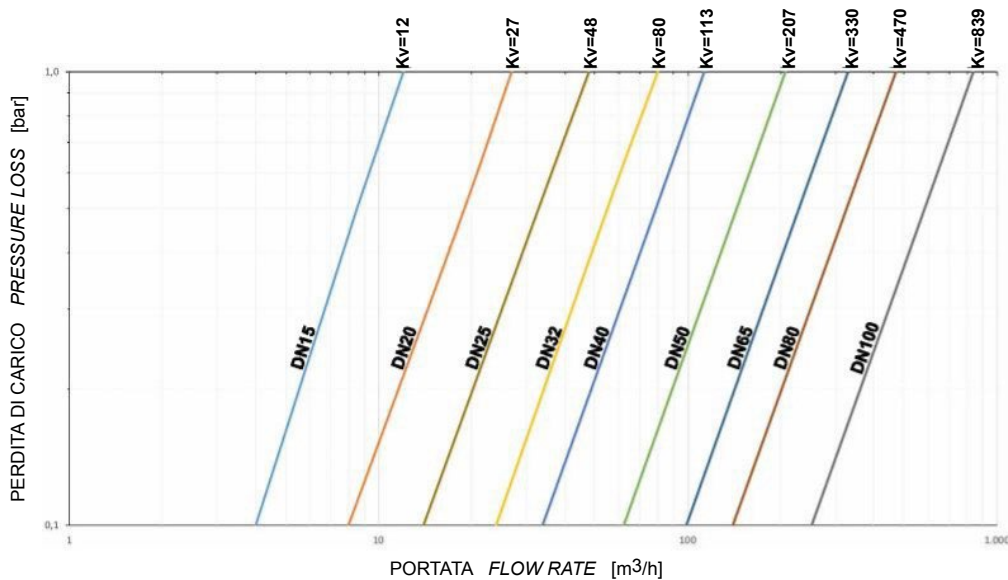


Il dimensionamento degli attuatori pneumatici è stato fatto considerando una pressione minima di alimentazione pari a 5,6 barg.
The sizing of pneumatic actuators has been done considering a minimum supply pressure of 5,6 barg.



MAGNUM SPLIT WAFER PN 63-100 ANSI 600

DIAGRAMMA PORTATA/PERDITA DI CARICO E COEFFICIENTE NOMINALE Kv FLOW/PRESSURE LOSS DIAGRAM AND Kv NOMINAL COEFFICIENT



Il valore Kv è il valore di portata in m³/h (con acqua a 15°C) che provoca la caduta di pressione di 1 bar.

Kv is the coefficient, expressed in m³/h (with water at 15°C) causing a pressure loss of 1 bar.



MAGNUM SPLIT WAFER PN 63-100 ANSI 600

ACCIAIO AL CARBONIO CARBON STEEL



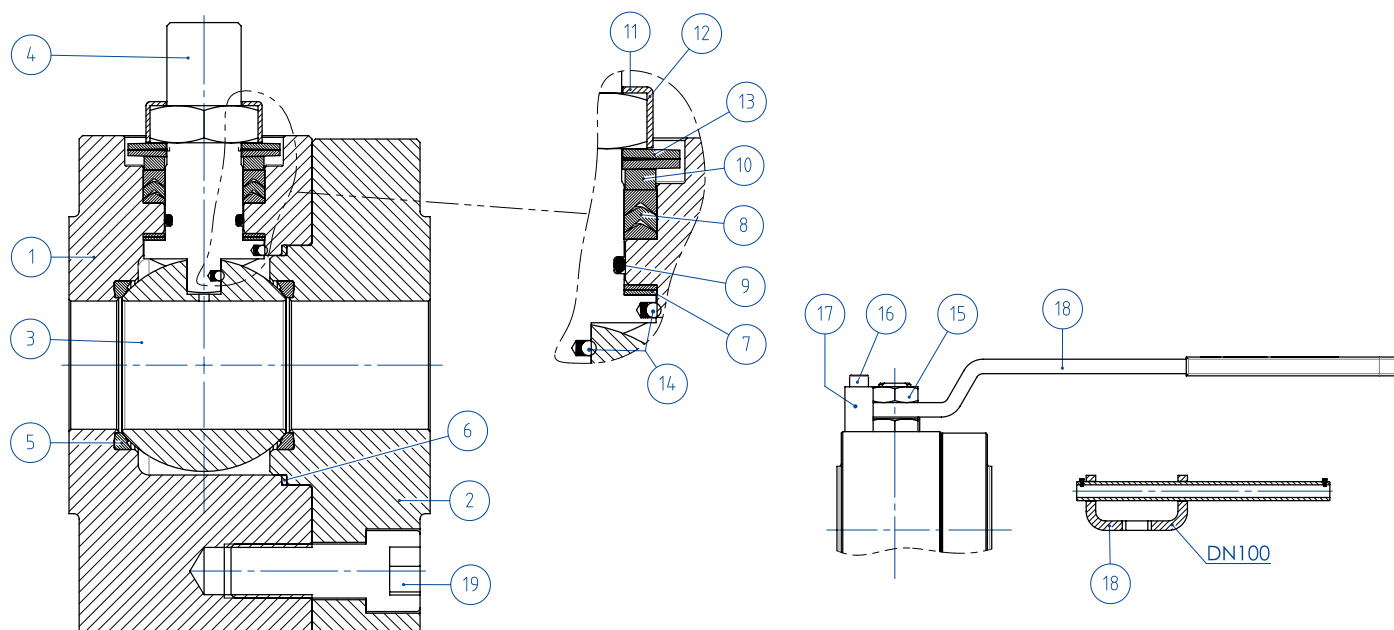
<p>ESECUZIONE STANDARD</p> <ul style="list-style-type: none">• Sfera flottante contenuta, passaggio totale.• Tenuta soft-seat: DEVLON.• Norme per flange d'attacco EN 1092-1; ASME B16.5.• Temperature di utilizzo vedi diagramma pressione temperatura.• Classe di pressione: PN 63-100; ANSI 600.• Classe di tenuta: EN12266-1 rate A.• Fluido intercettato: prodotti petroliferi, fluidi autolubrificanti (liquidi e gassosi), purché compatibili con i materiali costruttivi. Per fluidi non-autolubrificanti (acqua, ...) o altre applicazioni rivolgersi all'ufficio commerciale.• Antistatic device EN12266-2.• Tenuta stelo: pacco a V di serie in PTFE Modificato.• Tenuta addizionale su stelo con O-ring FKM.• Stelo anti Blow-out.• Foratura piano per attuatore a norma ISO 5211.• Angolo di chiusura >7°.• Trattamento superficiale brunitura.	<p>STANDARD FEATURES</p> <ul style="list-style-type: none">• No protruding floating ball, full bore.• Soft-seat seal: DEVLON.• Standard for connecting flanges: EN 1092-1; ASME B16.5.• Operating temperature see temperature pressure diagram.• Pressure class: PN 63-100; ANSI 600.• Tightness Class: EN12266-1 rate A.• Intercepted fluid: petrochemical products, self-lubricating fluids (liquid and gaseous), compatible with the constructive materials. For non-self-lubricating fluids (water, ...) or other applications, contact our sales department.• Antistatic device EN12266-2.• Stem seal: Modified PTFE V-pack.• Additional seal on stem with FKM O-ring.• Anti Blow-out stem.• Actuator connection as per standard ISO 5211.• Closing angle >7°.• Superficial treatment: blueing.
<p>ESECUZIONI A RICHIESTA</p> <ul style="list-style-type: none">• Esecuzione per temperatura -40 C° in LF2.• Per altri tipi di flangiature contattare il nostro ufficio commerciale.• Guarnizioni di tenuta in: PTFE caricato vetro (PTFE-GF), PTFE caricato carbografite (PTFE-CF). Per altri tipi di materiale contattare il nostro ufficio commerciale.• Esecuzione monodirezionale con foro di compensazione della pressione nella sfera.• Leva inox.• Dadi e molle stelo inox.• Per esecuzioni con materiali (corpo/sfera/stelo) diversi dallo standard contattare il nostro ufficio commerciale.• Trattamento superficiale: zincatura bianca, verniciatura epossidica, (per altri trattamenti contattare il nostro ufficio commerciale).• Marcatura e certificato ATEX A RICHIESTA.	<p>FEATURES ON REQUEST</p> <ul style="list-style-type: none">• LF2 carbon steel for low temperature execution (-40 C°).• For other flange types please contact our sales department.• Sealing in: PTFE reinforced with glass (PTFE-GF), PTFE reinforced with carbon-graphite (PTFE-CF). For other types of materials please contact our sales department.• Mono-directional version with pressure-relief hole in the ball.• Stainless steel lever.• For versions in materials different from the standard (body, ball, stem), please contact our sales department.• Stainless steel Stem nuts and springs.• Superficial treatment: white zinc coating, epoxy coating.• For other coating please contact our sales department.• ATEX marking and certificate ON REQUEST.
<p>CERTIFICAZIONI</p> <ul style="list-style-type: none">• Conforme alla direttiva Europea 2014/68/UE PED; Fugitive Emission ISO 15848 (ISO FE BH-C03-SSA 0); TA-LUFT VDI 2440; FIRE SAFE: ISO 10497 Third ed. 2010 / API 607 Sixth ed. 2010.• Livello di sicurezza funzionale fino a SIL 3 in accordo a IEC 61508.• Conforme alla direttiva ATEX 2014/34/UE, certificato ATEX A RICHIESTA.	<p>CERTIFICATIONS</p> <ul style="list-style-type: none">• In compliance with European Directive 2014/68/EU PED; Fugitive Emission ISO 15848 (ISO FE BH-C03-SSA 0); TA-LUFT VDI 2440; FIRE SAFE: ISO 10497 Third ed. 2010 / API 607 Sixth ed. 2010.• Safety integrity level up to SIL 3 according to the IEC 61508.• In compliance with ATEX 2014/34/EU Directive, ATEX certificate ON REQUEST.
<p>NORME DI PROGETTAZIONE</p> <ul style="list-style-type: none">• Spessori corpo in accordo a: ASME B16.34, ASME VIII div.1, EN 12516.• Materiali e rating in accordo ad ASME B16.34 per valvole ANSI ed EN 12516 per valvole PN.	<p>ENGINEERING STANDARD</p> <ul style="list-style-type: none">• Body thickness in compliance with: ASME B16.34, ASME VIII div.1, EN 12516.• Materials and rating in compliance with ASME B16.34 for ANSI valves and EN 12516 for PN valves.



MAGNUM SPLIT WAFER - PN 63-100 ANSI 600

ACCIAIO AL CARBONIO CARBON STEEL

TABELLA DEI MATERIALI MATERIALS TABLE



MATERIALI MATERIALS

SPLIT WAFER PN63-100 ANSI 600 acciaio al carbonio carbon steel

N°	Descrizione Description	A105 Carbon steel	A350 LF2 Carbon steel
1	Corpo Body	ASTM A105	ASTM A350 LF2
2	Ghiera Ring nut		
3	Sfera Ball	ASTM A351 CF8(*) (1.4308/Gx5CrNi19-10) (**)	
4	Stelo Stem	A564 TP.630 (17-4PH)	
5*	Seggio Seat	DEVLON (.)	
6*	Guarnizione corpo ghiera Body-ring nut gasket	GRAFOIL	
7*	Tenuta inferiore stelo Stem lower sealing	PTFE Modificato Modified PTFE (.) ●	
8*	Pacco a V Chevron rings	PTFE Modificato Modified PTFE (.)	
9*	O-ring stelo Stem o-ring	FKM (.)	
10	Anello premiguarnizione Packing gland ring	Acciaio al carbonio zincato Carbon steel galvanized (x) (1)	
11	Piastra blocca dado Stop nut plate	304 S.S.	
12	Dado stelo Stem nut	Acciaio al carbonio zincato Carbon steel galvanized (x) (x)	
13	Molle a tazza Springs washer	Acciaio al carbonio zincato Carbon steel galvanized (x) (xx)	
14	Dispositivo antistatico Antistatic device	316 S.S.	
19	Vite corpo-ghiera Body-ring nut screw	A2.70 (304 S.S.)	
15	Controdado Lock nut	Acciaio al carbonio zincato Carbon steel galvanized (x)	
16	Vite di fermo Holder screw	A2-70 (304 S.S.)	
17	Fermo di posizione Holder screw	Acciaio al carbonio zincato Carbon steel galvanized (x)	
18	Leva Lever	Fe37 zincato - Galvanized (x)	

* Componenti del kit di guarnizioni Components of seals kit

A richiesta disponibile in: Available on request:

(*): A351 CF8M

(**): per ≤DN32 disponibile solo in CF8M for ≤DN32 available only in CF8M

(x): 304 s.s.

(xx): 301 s.s.

●: per ≤DN32 disponibile solo in DEVLON for ≤DN32 available only in DEVLON

(1): Per DN100 disponibile solo in 304 DN100 available only in 304

(.): Altri materiali disponibili a richiesta Other materials available on request



MAGNUM SPLIT WAFER - PN 63-100 ANSI 600
ACCIAIO AL CARBONIO CARBON STEEL
ASSE LIBERO E CON LEVA FREE SHAFT AND WITH LEVER



**CODICI VALVOLE ASSE LIBERO (V_) E CON LEVA (L_) IN ACCIAIO AL CARBONIO -PN-
 CARBON STEEL BARE SHAFT (V_) AND LEVER (L_) OPERATED VALVE CODE -PN-**

MISURA SIZE		PN	A105 Carbon steel	LF2 Carbon steel
DN [mm]	[inch]			
DN 15	1/2"	PN 63-100	V/LM404N00CAA0AAMRV00B	V/LM404N00CBA0AAMRV00B
DN 20	3/4"	PN 63-100	V/LM405N00CAA0AAMRV00B	V/LM405N00CBA0AAMRV00B
DN 25	1"	PN 63-100	V/LM406N00CAA0AAMRV00B	V/LM406N00CBA0AAMRV00B
DN 32	1" 1/4	PN 63-100	V/LM407N00CAA0AAMRV00B	V/LM407N00CBA0AAMRV00B
DN 40	1" 1/2	PN 63-100	V/LM408N00CAB0AAMNV00B	V/LM408N00CBB0AAMNV00B
DN 50	2"	PN 63	V/LM409K00CAB0AAMNV00B	V/LM409K00CBB0AAMNV00B
DN 50	2"	PN 100	V/LM409L00CAB0AAMNV00B	V/LM409L00CBB0AAMNV00B
DN 65	2" 1/2	PN 63	V/LM410K00CAB0AAMNV00B	V/LM410K00CBB0AAMNV00B
DN 65	2" 1/2	PN 100	V/LM410L00CAB0AAMNV00B	V/LM410L00CBB0AAMNV00B
DN 80	3"	PN 63	V/LM411K00CAB0AAMNV00B	V/LM411K00CBB0AAMNV00B
DN 80	3"	PN 100	V/LM411L00CAB0AAMNV00B	V/LM411L00CBB0AAMNV00B
DN 100	4"	PN 63	V/LM412K00CAB0AAMNV00B	V/LM412K00CBB0AAMNV00B
DN 100	4"	PN 100	V/LM412L00CAB0AAMNV00B	V/LM412L00CBB0AAMNV00B

**CODICI VALVOLE ASSE LIBERO (V_) E CON LEVA (L_) IN ACCIAIO AL CARBONIO -ANSI-
 CARBON STEEL BARE SHAFT (V_) AND LEVER (L_) OPERATED VALVE CODE -ANSI-**

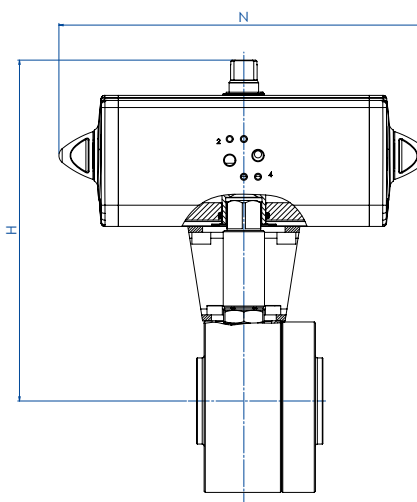
MISURA SIZE		ANSI	A105 Carbon steel	LF2 Carbon steel
DN [mm]	[inch]			
DN 15	1/2"	ANSI 600	V/LM404401CAA0AAMRV00B	V/LM404401CBA0AAMRV00B
DN 20	3/4"	ANSI 600	V/LM405401CAA0AAMRV00B	V/LM405401CBA0AAMRV00B
DN 25	1"	ANSI 600	V/LM406401CAA0AAMRV00B	V/LM406401CBA0AAMRV00B
DN 32	1" 1/4	ANSI 600	V/LM407401CAA0AAMRV00B	V/LM407401CBA0AAMRV00B
DN 40	1" 1/2	ANSI 600	V/LM408401CAB0AAMNV00B	V/LM408401CBB0AAMNV00B
DN 50	2"	ANSI 600	V/LM409401CAB0AAMNV00B	V/LM409401CBB0AAMNV00B
DN 65	2" 1/2	ANSI 600	V/LM410401CAB0AAMNV00B	V/LM410401CBB0AAMNV00B
DN 80	3"	ANSI 600	V/LM411401CAB0AAMNV00B	V/LM411401CBB0AAMNV00B
DN 100	4"	ANSI 600	V/LM412401CAB0AAMNV00B	V/LM412401CBB0AAMNV00B



MAGNUM SPLIT WAFER - PN 63-100

ACCIAIO AL CARBONIO CARBON STEEL

CON ATTUATORE PNEUMATICO DA WITH DA PNEUMATIC ACTUATOR



CODICI ARTICOLI IN A105 ACCIAIO AL CARBONIO ITEM CODES IN A105 CARBON STEEL

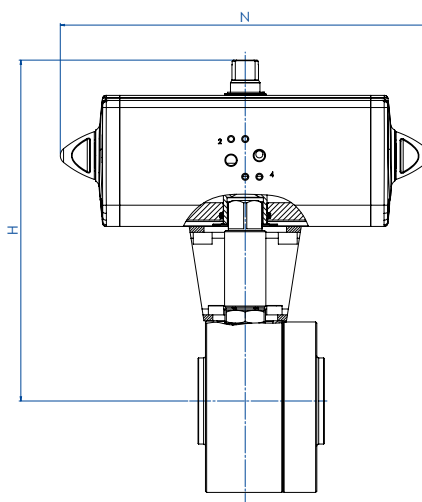
MISURA SIZE		PN	CODICE ARTICOLO ITEM CODE	ATTUATORE ACTUATOR	KIT di montaggio Mounting KIT	N [mm]	H [mm]	Peso Kg Weight Kg
DN [mm]	[inch]							
DN 15	1/2"	PN 63-100	DM404N00CAA0AAMRV00BAFCA0	DAN0030411S	KCNBCHD5340	174,2	179,2	5,9
DN 20	3/4"	PN 63-100	DM405N00CAA0AAMRV00BAFDA0	DAN0045412S	KCNBCHD5341	188,5	189,5	8,6
DN 25	1"	PN 63-100	DM406N00CAA0AAMRV00BAFEA0	DAN0060412S	KCNCCHD5342	198,0	200,4	9,3
DN 32	1" 1/4	PN 63-100	DM407N00CAA0AAMRV00BAFGA0	DAN0106411S	KCNCCHD5343	237,0	218,3	12,6
DN 40	1" 1/2	PN 63-100	DM408N00CAB0AAMNV00BAFHA0	DAN0120411S	KCNDDHD5344	244,1	218,3	17,1
DN 50	2"	PN 63	DM409K00CAB0AAMNV00BAFIA0	DAN0180411S	KCNDDHD5345	289,9	276,5	22,3
DN 50	2"	PN 100	DM409L00CAB0AAMNV00BAFIA0	DAN0180411S	KCNDDHD5345	289,9	276,5	25,3
DN 65	2" 1/2	PN 63	DM410K00CAB0AAMNV00BAFJA0	DAN0240411S	KCNEEHD5346	313,6	315,1	36,8
DN 65	2" 1/2	PN 100	DM410L00CAB0AAMNV00BAFJA0	DAN0240411S	KCNEEHD5347	313,6	322,1	40,5
DN 80	3"	PN 63	DM411K00CAB0AAMNV00BAFKA0	DAN0360411S	KCNEEHD5346	339,3	329,5	43,3
DN 80	3"	PN 100	DM411L00CAB0AAMNV00BAFKA0	DAN0360411S	KCNEEHD5347	339,3	336,5	48,7
DN 100	4"	PN 63	DM412K00CAB0AAMNV00BAFMA0	DAN0720411S	KCNFGHD5364	433,1	401,0	83,9
DN 100	4"	PN 100	DM412L00CAB0AAMNV00BAFMA0	DAN0720411S	KCNFGHD6237	433,1	401,0	83,6

CODICI ARTICOLI IN LF2 ACCIAIO AL CARBONIO ITEM CODES IN LF2 CARBON STEEL

MISURA SIZE		PN	CODICE ARTICOLO ITEM CODE	ATTUATORE ACTUATOR	KIT di montaggio Mounting KIT	N [mm]	H [mm]	Peso Kg Weight Kg
DN [mm]	[inch]							
DN 15	1/2"	PN 63-100	DM404N00CBA0AAMRV00BAFCA0	DAN0030411S	KCNBCHD5340	174,2	179,2	5,9
DN 20	3/4"	PN 63-100	DM405N00CBA0AAMRV00BAFDA0	DAN0045412S	KCNBCHD5341	188,5	189,5	8,6
DN 25	1"	PN 63-100	DM406N00CBA0AAMRV00BAFEA0	DAN0060412S	KCNCCHD5342	198,0	200,4	9,3
DN 32	1" 1/4	PN 63-100	DM407N00CBA0AAMRV00BAFGA0	DAN0106411S	KCNCCHD5343	237,0	218,3	12,6
DN 40	1" 1/2	PN 63-100	DM408N00CBB0AAMNV00BAFHA0	DAN0120411S	KCNDDHD5344	244,1	218,3	17,1
DN 50	2"	PN 63	DM409K00CBB0AAMNV00BAFIA0	DAN0180411S	KCNDDHD5345	289,9	276,5	22,3
DN 50	2"	PN 100	DM409L00CBB0AAMNV00BAFIA0	DAN0180411S	KCNDDHD5345	289,9	276,5	25,3
DN 65	2" 1/2	PN 63	DM410K00CBB0AAMNV00BAFJA0	DAN0240411S	KCNEEHD5346	313,6	315,1	36,8
DN 65	2" 1/2	PN 100	DM410L00CBB0AAMNV00BAFJA0	DAN0240411S	KCNEEHD5347	313,6	322,1	40,5
DN 80	3"	PN 63	DM411K00CBB0AAMNV00BAFKA0	DAN0360411S	KCNEEHD5346	339,3	329,5	43,3
DN 80	3"	PN 100	DM411L00CBB0AAMNV00BAFKA0	DAN0360411S	KCNEEHD5347	339,3	336,5	48,7
DN 100	4"	PN 63	DM412K00CBB0AAMNV00BAFMA0	DAN0720411S	KCNFGHD5364	433,1	401,0	83,9
DN 100	4"	PN 100	DM412L00CBB0AAMNV00BAFMA0	DAN0720411S	KCNFGHD6237	433,1	401,0	83,6



MAGNUM SPLIT WAFER - ANSI 600
ACCIAIO AL CARBONIO CARBON STEEL
CON ATTUATORE PNEUMATICO DA WITH DA PNEUMATIC ACTUATOR



CODICI ARTICOLI IN A105 ACCIAIO AL CARBONIO ITEM CODES IN A105 CARBON STEEL

MISURA SIZE		ANSI	CODICE ARTICOLO ITEM CODE	ATTUATORE ACTUATOR	KIT di montaggio Mounting KIT	N [mm]	H [mm]	Peso Kg Weight Kg
DN [mm]	[inch]							
DN 15	1/2"	ANSI 600	DM404401CAA0AAMRV00BAFCA0	DAN0030411S	KCNBCHD5340	174,2	179,2	5,9
DN 20	3/4"	ANSI 600	DM405401CAA0AAMRV00BAFDA0	DAN0045412S	KCNBCHD5341	188,5	189,5	8,6
DN 25	1"	ANSI 600	DM406401CAA0AAMRV00BAFEA0	DAN0060412S	KCNCCHD5342	198,0	200,4	9,3
DN 32	1" 1/4	ANSI 600	DM407401CAA0AAMRV00BAFGA0	DAN0106411S	KCNCCHD5343	237,0	218,3	12,6
DN 40	1" 1/2	ANSI 600	DM408401CAB0AAMNV00BAFHA0	DAN0120411S	KCNDDHD5344	244,1	218,3	17,1
DN 50	2"	ANSI 600	DM409401CAB0AAMNV00BAFIA0	DAN0180411S	KCNDDHD5345	289,9	276,5	22,3
DN 65	2" 1/2	ANSI 600	DM410401CAB0AAMNV00BAFJA0	DAN0240411S	KCNEEHD5346	313,6	315,1	36,8
DN 80	3"	ANSI 600	DM411401CAB0AAMNV00BAFKA0	DAN0360411S	KCNEEHD5346	339,3	329,5	43,3
DN 100	4"	ANSI 600	DM412401CAB0AAMNV00BAFMA0	DAN0720411S	KCNFGHD6234	433,1	404,0	83,9

CODICI ARTICOLI IN LF2 ACCIAIO AL CARBONIO ITEM CODES IN LF2 CARBON STEEL

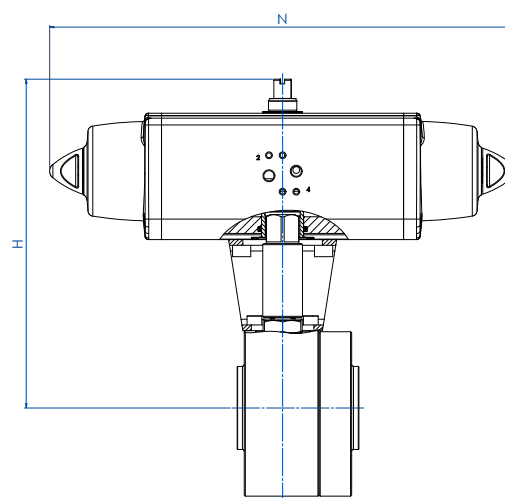
MISURA SIZE		ANSI	CODICE ARTICOLO ITEM CODE	ATTUATORE ACTUATOR	KIT di montaggio Mounting KIT	N [mm]	H [mm]	Peso Kg Weight Kg
DN [mm]	[inch]							
DN 15	1/2"	ANSI 600	DM404401CBA0AAMRV00BAFCA0	DAN0030411S	KCNBCHD5340	174,2	179,2	5,9
DN 20	3/4"	ANSI 600	DM405401CBA0AAMRV00BAFDA0	DAN0045412S	KCNBCHD5341	188,5	189,5	8,6
DN 25	1"	ANSI 600	DM406401CBA0AAMRV00BAFEA0	DAN0060412S	KCNCCHD5342	198,0	200,4	9,3
DN 32	1" 1/4	ANSI 600	DM407401CBA0AAMRV00BAFGA0	DAN0106411S	KCNCCHD5343	237,0	218,3	12,6
DN 40	1" 1/2	ANSI 600	DM408401CBB0AAMNV00BAFHA0	DAN0120411S	KCNDDHD5344	244,1	218,3	17,1
DN 50	2"	ANSI 600	DM409401CBB0AAMNV00BAFIA0	DAN0180411S	KCNDDHD5345	289,9	276,5	22,3
DN 65	2" 1/2	ANSI 600	DM410401CBB0AAMNV00BAFJA0	DAN0240411S	KCNEEHD5346	313,6	315,1	36,8
DN 80	3"	ANSI 600	DM411401CBB0AAMNV00BAFKA0	DAN0360411S	KCNEEHD5346	339,3	329,5	43,3
DN 100	4"	ANSI 600	DM412401CBB0AAMNV00BAFMA0	DAN0720411S	KCNFGHD6234	433,1	404,0	83,9



MAGNUM SPLIT WAFER - PN 63-100

ACCIAIO AL CARBONIO CARBON STEEL

CON ATTUATORE PNEUMATICO SR WITH SR PNEUMATIC ACTUATOR



CODICI ARTICOLI IN A105 ACCIAIO AL CARBONIO ITEM CODES IN A105 CARBON STEEL

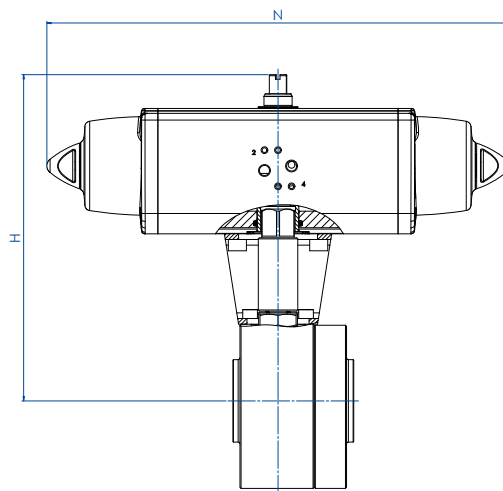
MISURA SIZE		PN	CODICE ARTICOLO ITEM CODE	ATTUATORE ACTUATOR	KIT di montaggio Mounting KIT	N [mm]	H [mm]	Peso Kg Weight Kg
DN [mm]	[inch]							
DN 15	1/2"	PN 63-100	SM404N00CAA0AAMRV00BAFEA0	SRN0030402S	KCNBCHD5350	258,8	190,4	6,9
DN 20	3/4"	PN 63-100	SM405N00CAA0AAMRV00BAFGA0	SRN0053401S	KCNBCHD5351	304,2	208,3	10,2
DN 25	1"	PN 63-100	SM406N00CAA0AAMRV00BAFHA0	SRN0060401S	KCNCCHD5343	338,5	217,0	11,1
DN 32	1" 1/4	PN 63-100	SM407N00CAA0AAMRV00BAFIA0	SRN0090401S	KCNCDDHD5352	393,7	252,5	16,4
DN 40	1" 1/2	PN 63-100	SM408N00CAB0AAMNV00BAFJA0	SRN0120401S	KCNDDHD5353	409,6	269,1	21,5
DN 50	2"	PN 63	SM409K00CAB0AAMNV00BAFKA0	SRN0180401S	KCNDDHD5345	474,0	287,0	26,6
DN 50	2"	PN 100	SM409L00CAB0AAMNV00BAFKA0	SRN0180401S	KCNDDHD5345	474,0	287,0	29,6
DN 65	2" 1/2	PN 63	SM410K00CAB0AAMNV00BAFLA0	SRN0240401S	KCNEEHD5354	520,5	339,0	43,2
DN 65	2" 1/2	PN 100	SM410L00CAB0AAMNV00BAFLA0	SRN0240401S	KCNEEHD5355	520,5	346,0	47,0
DN 80	3"	PN 63	SM411K00CAB0AAMNV00BAFMA0	SRN0360401S	KCNEEHD5354	613,0	359,5	53,3
DN 80	3"	PN 100	SM411L00CAB0AAMNV00BAFMA0	SRN0360401S	KCNEEHD5355	613,0	366,5	58,8
DN 100	4"	PN 63	SM412K00CAB0AAMNV00BAFQA0	SRN0720401S	KCNGGHD5368	798,0	439,0	105,6
DN 100	4"	PN 100	SM412L00CAB0AAMNV00BAFQA0	SRN0720401S	KCNGGHD6238	798,0	439,0	105,3

CODICI ARTICOLI IN LF2 ACCIAIO AL CARBONIO ITEM CODES IN LF2 CARBON STEEL

MISURA SIZE		PN	CODICE ARTICOLO ITEM CODE	ATTUATORE ACTUATOR	KIT di montaggio Mounting KIT	N [mm]	H [mm]	Peso Kg Weight Kg
DN [mm]	[inch]							
DN 15	1/2"	PN 63-100	SM404N00CBA0AAMRV00BAFEA0	SRN0030402S	KCNBCHD5350	258,8	190,4	6,9
DN 20	3/4"	PN 63-100	SM405N00CBA0AAMRV00BAFGA0	SRN0053401S	KCNBCHD5351	304,2	208,3	10,2
DN 25	1"	PN 63-100	SM406N00CBA0AAMRV00BAFHA0	SRN0060401S	KCNCCHD5343	338,5	217,0	11,1
DN 32	1" 1/4	PN 63-100	SM407N00CBA0AAMRV00BAFIA0	SRN0090401S	KCNCDDHD5352	393,7	252,5	16,4
DN 40	1" 1/2	PN 63-100	SM408N00CBB0AAMNV00BAFJA0	SRN0120401S	KCNDDHD5353	409,6	269,1	21,5
DN 50	2"	PN 63	SM409K00CBB0AAMNV00BAFKA0	SRN0180401S	KCNDDHD5345	474,0	287,0	26,6
DN 50	2"	PN 100	SM409L00CBB0AAMNV00BAFKA0	SRN0180401S	KCNDDHD5345	474,0	287,0	29,6
DN 65	2" 1/2	PN 63	SM410K00CBB0AAMNV00BAFLA0	SRN0240401S	KCNEEHD5354	520,5	339,0	43,2
DN 65	2" 1/2	PN 100	SM410L00CBB0AAMNV00BAFLA0	SRN0240401S	KCNEEHD5355	520,5	346,0	47,0
DN 80	3"	PN 63	SM411K00CBB0AAMNV00BAFMA0	SRN0360401S	KCNEEHD5354	613,0	359,5	53,3
DN 80	3"	PN 100	SM411L00CBB0AAMNV00BAFMA0	SRN0360401S	KCNEEHD5355	613,0	366,5	58,8
DN 100	4"	PN 63	SM412K00CBB0AAMNV00BAFQA0	SRN0720401S	KCNGGHD5368	798,0	439,0	105,6
DN 100	4"	PN 100	SM412L00CBB0AAMNV00BAFQA0	SRN0720401S	KCNGGHD6238	798,0	439,0	105,3



MAGNUM SPLIT WAFER - ANSI 600
ACCIAIO AL CARBONIO CARBON STEEL
CON ATTUATORE PNEUMATICO SR WITH SR PNEUMATIC ACTUATOR



CODICI ARTICOLI IN A105 ACCIAIO AL CARBONIO ITEM CODES IN A105 CARBON STEEL

MISURA SIZE		ANSI	CODICE ARTICOLO ITEM CODE	ATTUATORE ACTUATOR	KIT di montaggio Mounting KIT	N [mm]	H [mm]	Peso Kg Weight Kg
DN [mm]	[inch]							
DN 15	1/2"	ANSI 600	SM404401CAA0AAMRV00BAFEA0	SRN0030402S	KCNBCHD5350	258,8	190,4	6,8
DN 20	3/4"	ANSI 600	SM405401CAA0AAMRV00BAFGA0	SRN0053401S	KCNBCHD5351	304,2	208,3	8,2
DN 25	1"	ANSI 600	SM406401CAA0AAMRV00BAFHA0	SRN0060401S	KCNCCHD5343	338,5	217,0	10,5
DN 32	1" 1/4	ANSI 600	SM407401CAA0AAMRV00BAFIA0	SRN0090401S	KCNCDDHD5352	393,7	252,5	14,7
DN 40	1" 1/2	ANSI 600	SM408401CAB0AAMNV00BAFJA0	SRN0120401S	KCNDDHD5353	409,6	269,1	19,2
DN 50	2"	ANSI 600	SM409401CAB0AAMNV00BAFKA0	SRN0180401S	KCNDDHD5345	474,0	284,0	25,6
DN 65	2" 1/2	ANSI 600	SM410401CAB0AAMNV00BAFLA0	SRN0240401S	KCNEEHD5354	520,5	339,0	42,2
DN 80	3"	ANSI 600	SM411401CAB0AAMNV00BAFMA0	SRN0360401S	KCNEEHD5354	613,0	359,5	52,2
DN 100	4"	ANSI 600	SM412401CAB0AAMNV00BAFQA0	SRN0720401S	KCNGGHD6235	798,0	442,0	147,4

CODICI ARTICOLI IN LF2 ACCIAIO AL CARBONIO ITEM CODES IN LF2 CARBON STEEL

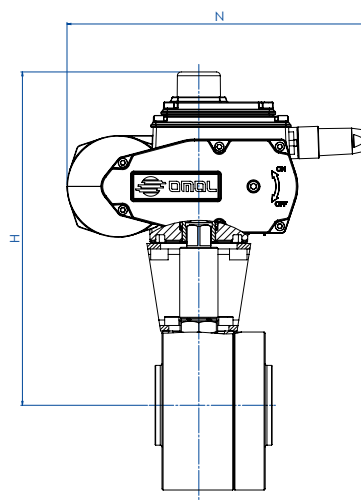
MISURA SIZE		ANSI	CODICE ARTICOLO ITEM CODE	ATTUATORE ACTUATOR	KIT di montaggio Mounting KIT	N [mm]	H [mm]	Peso Kg Weight Kg
DN [mm]	[inch]							
DN 15	1/2"	ANSI 600	SM404401CBA0AAMRV00BAFEA0	SRN0030402S	KCNBCHD5350	258,8	190,4	6,8
DN 20	3/4"	ANSI 600	SM405401CBA0AAMRV00BAFGA0	SRN0053401S	KCNBCHD5351	304,2	208,3	8,2
DN 25	1"	ANSI 600	SM406401CBA0AAMRV00BAFHA0	SRN0060401S	KCNCCHD5343	338,5	217,0	10,5
DN 32	1" 1/4	ANSI 600	SM407401CBA0AAMRV00BAFIA0	SRN0090401S	KCNCDDHD5352	393,7	252,5	14,7
DN 40	1" 1/2	ANSI 600	SM408401CBB0AAMNV00BAFJA0	SRN0120401S	KCNDDHD5353	409,6	269,1	19,2
DN 50	2"	ANSI 600	SM409401CBB0AAMNV00BAFKA0	SRN0180401S	KCNDDHD5345	474,0	284,0	25,6
DN 65	2" 1/2	ANSI 600	SM410401CBB0AAMNV00BAFLA0	SRN0240401S	KCNEEHD5354	520,5	339,0	42,2
DN 80	3"	ANSI 600	SM411401CBB0AAMNV00BAFMA0	SRN0360401S	KCNEEHD5354	613,0	359,5	52,2
DN 100	4"	ANSI 600	SM412401CBB0AAMNV00BAFQA0	SRN0720401S	KCNGGHD6235	798,0	442,0	147,4



MAGNUM SPLIT WAFER - PN 63-100

ACCIAIO AL CARBONIO CARBON STEEL

CON ATTUATORE ELETTRICO WITH ELECTRIC ACTUATOR



CODICI ARTICOLI IN A105 ACCIAIO AL CARBONIO ITEM CODES IN A105 CARBON STEEL

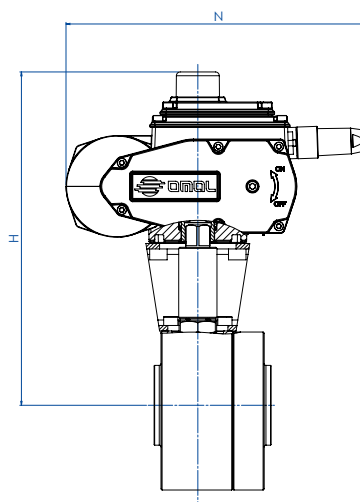
MISURA SIZE		PN	CODICE ARTICOLO ITEM CODE	ATTUATORE ACTUATOR	KIT di montaggio Mounting KIT	N [mm]	H [mm]	Peso Kg Weight Kg
DN [mm]	[inch]							
DN 15	1/2"	PN 63-100	EM404N00CAA0AAMRV00BAMEGO	EA0035A5C000	KCNBCHD5350	250,0	237,0	8,5
DN 20	3/4"	PN 63-100	EM405N00CAA0AAMRV00BAMEGO	EA0035A5C000	KCNBCHD5357	250,0	242,0	8,6
DN 25	1"	PN 63-100	EM406N00CAA0AAMRV00BAMGG0	EA0070A5C000	KCNCCHD5342	250,0	247,0	11,5
DN 32	1" 1/4	PN 63-100	EM407N00CAA0AAMRV00BAMGG0	EA0070A5C000	KCNCCHD5342	250,0	252,0	13,9
DN 40	1" 1/2	PN 63-100	EM408N00CAB0AAMNV00BAMIG0	EA0130A5C000	KCNDDHD5344	280,0	285,5	21,7
DN 50	2"	PN 63	EM409K00CAB0AAMNV00BAMIG0	EA0130A5C000	KCNDDHD5358	280,0	296,5	24,7
DN 50	2"	PN 100	EM409L00CAB0AAMNV00BAMIG0	EA0130A5C000	KCNDDHD5358	280,0	296,5	27,7
DN 65	2" 1/2	PN 63	EM410K00CAB0AAMNV00BAMKGO	EA0240A5C000	KCNEEHD5346	280,0	331,5	38,9
DN 65	2" 1/2	PN 100	EM410L00CAB0AAMNV00BAMKGO	EA0240A5C000	KCNEEHD5347	280,0	338,5	42,6
DN 80	3"	PN 63	EM411K00CAB0AAMNV00BAMNA0	AE160040	KCNEEHV5359	256,5	366,5	46,0
DN 80	3"	PN 100	EM411L00CAB0AAMNV00BAMNA0	AE160040	KCNEEHV5360	256,5	373,5	51,5
DN 100	4"	PN 63	EM412K00CAB0AAMNV00BAMTA0	AE160100	KCNFGHV5372	381,0	457,0	94,2
DN 100	4"	PN 100	EM412L00CAB0AAMNV00BAMTA0	AE160100	KCNFGHV6241	381,0	457,0	93,9

CODICI ARTICOLI IN LF2 ACCIAIO AL CARBONIO ITEM CODES IN LF2 CARBON STEEL

MISURA SIZE		PN	CODICE ARTICOLO ITEM CODE	ATTUATORE ACTUATOR	KIT di montaggio Mounting KIT	N [mm]	H [mm]	Peso Kg Weight Kg
DN [mm]	[inch]							
DN 15	1/2"	PN 63-100	EM404N00CBA0AAMRV00BAMEGO	EA0035A5C000	KCNBCHD5350	250,0	237,0	8,5
DN 20	3/4"	PN 63-100	EM405N00CBA0AAMRV00BAMEGO	EA0035A5C000	KCNBCHD5357	250,0	242,0	8,6
DN 25	1"	PN 63-100	EM406N00CBA0AAMRV00BAMGG0	EA0070A5C000	KCNCCHD5342	250,0	247,0	11,5
DN 32	1" 1/4	PN 63-100	EM407N00CBA0AAMRV00BAMGG0	EA0070A5C000	KCNCCHD5342	250,0	252,0	13,9
DN 40	1" 1/2	PN 63-100	EM408N00CBB0AAMNV00BAMIG0	EA0130A5C000	KCNDDHD5344	280,0	285,5	21,7
DN 50	2"	PN 63	EM409K00CBB0AAMNV00BAMIG0	EA0130A5C000	KCNDDHD5358	280,0	296,5	24,7
DN 50	2"	PN 100	EM409L00CBB0AAMNV00BAMIG0	EA0130A5C000	KCNDDHD5358	280,0	296,5	27,7
DN 65	2" 1/2	PN 63	EM410K00CBB0AAMNV00BAMKGO	EA0240A5C000	KCNEEHD5346	280,0	331,5	38,9
DN 65	2" 1/2	PN 100	EM410L00CBB0AAMNV00BAMKGO	EA0240A5C000	KCNEEHD5347	280,0	338,5	42,6
DN 80	3"	PN 63	EM411K00CBB0AAMNV00BAMNA0	AE160040	KCNEEHV5359	256,5	366,5	46,0
DN 80	3"	PN 100	EM411L00CBB0AAMNV00BAMNA0	AE160040	KCNEEHV5360	256,5	373,5	51,5
DN 100	4"	PN 63	EM412K00CBB0AAMNV00BAMTA0	AE160100	KCNFGHV5372	381,0	457,0	94,2
DN 100	4"	PN 100	EM412L00CBB0AAMNV00BAMTA0	AE160100	KCNFGHV6241	381,0	457,0	93,9



MAGNUM SPLIT WAFER - ANSI 600
ACCIAIO AL CARBONIO CARBON STEEL
CON ATTUATORE ELETTRICO WITH ELECTRIC ACTUATOR



CODICI ARTICOLI IN A105 ACCIAIO AL CARBONIO ITEM CODES IN A105 CARBON STEEL

MISURA SIZE		ANSI	CODICE ARTICOLO ITEM CODE	ATTUATORE ACTUATOR	KIT di montaggio Mounting KIT	N [mm]	H [mm]	Peso Kg Weight Kg
DN [mm]	[inch]							
DN 15	1/2"	ANSI 600	EM404401CAA0AAMRV00BAMEGO	EA0035A5C000	KCNBCHD5350	250,0	237,0	8,4
DN 20	3/4"	ANSI 600	EM405401CAA0AAMRV00BAMEGO	EA0035A5C000	KCNBCHD5357	250,0	242,0	8,8
DN 25	1"	ANSI 600	EM406401CAA0AAMRV00BAMGG0	EA0070A5C000	KCNCCHD5342	250,0	247,0	10,9
DN 32	1" 1/4	ANSI 600	EM407401CAA0AAMRV00BAMGG0	EA0070A5C000	KCNCCHD5342	250,0	252,0	12,2
DN 40	1" 1/2	ANSI 600	EM408401CAB0AAMNV00BAMIG0	EA0130A5C000	KCNDDHD5344	280,0	285,5	19,4
DN 50	2"	ANSI 600	EM409401CAB0AAMNV00BAMIG0	EA0130A5C000	KCNDDHD5358	280,0	296,5	23,7
DN 65	2" 1/2	ANSI 600	EM410401CAB0AAMNV00BAMKG0	EA0240A5C000	KCNEEHD5346	280,0	331,5	37,7
DN 80	3"	ANSI 600	EM411401CAB0AAMNV00BAMNA0	AE160040	KCNEEHV5359	256,5	366,5	44,9
DN 100	4"	ANSI 600	EM412401CAB0AAMNV00BAMTA0	AE160100	KCNFGHV6236	381,0	450,0	95,0

CODICI ARTICOLI IN LF2 ACCIAIO AL CARBONIO ITEM CODES IN LF2 CARBON STEEL

MISURA SIZE		ANSI	CODICE ARTICOLO ITEM CODE	ATTUATORE ACTUATOR	KIT di montaggio Mounting KIT	N [mm]	H [mm]	Peso Kg Weight Kg
DN [mm]	[inch]							
DN 15	1/2"	ANSI 600	EM404401CBA0AAMRV00BAMEGO	EA0035A5C000	KCNBCHD5350	250,0	237,0	8,4
DN 20	3/4"	ANSI 600	EM405401CBA0AAMRV00BAMEGO	EA0035A5C000	KCNBCHD5357	250,0	242,0	8,8
DN 25	1"	ANSI 600	EM406401CBA0AAMRV00BAMGG0	EA0070A5C000	KCNCCHD5342	250,0	247,0	10,9
DN 32	1" 1/4	ANSI 600	EM407401CBA0AAMRV00BAMGG0	EA0070A5C000	KCNCCHD5342	250,0	252,0	12,2
DN 40	1" 1/2	ANSI 600	EM408401CBB0AAMNV00BAMIG0	EA0130A5C000	KCNDDHD5344	280,0	285,5	19,4
DN 50	2"	ANSI 600	EM409401CBB0AAMNV00BAMIG0	EA0130A5C000	KCNDDHD5358	280,0	296,5	23,7
DN 65	2" 1/2	ANSI 600	EM410401CBB0AAMNV00BAMKG0	EA0240A5C000	KCNEEHD5346	280,0	331,5	37,7
DN 80	3"	ANSI 600	EM411401CBB0AAMNV00BAMNA0	AE160040	KCNEEHV5359	256,5	366,5	44,9
DN 100	4"	ANSI 600	EM412401CBB0AAMNV00BAMTA0	AE160100	KCNFGHV6236	381,0	450,0	95,0

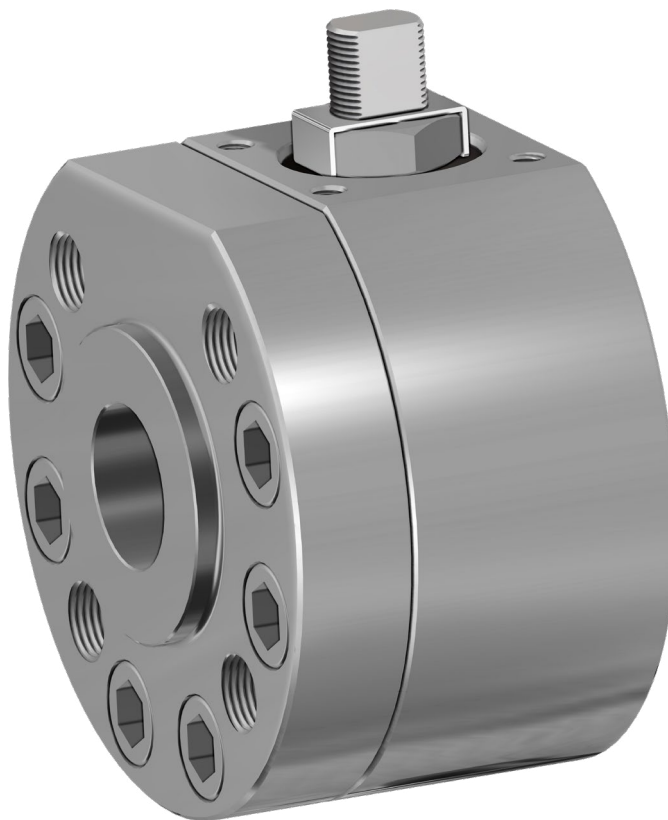
Articoli disponibili anche con attuatore modulante *Items available also with modulating actuator*





MAGNUM SPLIT WAFER PN 63-100 ANSI 600

ACCIAIO INOX *STAINLESS STEEL*



ESECUZIONE STANDARD

- Sfera flottante contenuta, passaggio totale.
- Tenuta soft-seat: DEVLON.
- Norme per flange d'attacco EN 1092-1; ANSI B16.5.
- Temperature di utilizzo vedi diagramma pressione temperatura.
- Classe di pressione: PN63-100; ANSI 600.
- Classe di tenuta: EN12266-1 rate A.
- Fluido intercettato: prodotti petroliferi, fluidi autolubrificanti (liquidi e gassosi), purchè compatibili con i materiali costruttivi. Per fluidi non-autolubrificanti (acqua, ...) o altre applicazioni rivolgersi all'ufficio commerciale.
- Antistatic device EN12266-2.
- Tenuta stelo: pacco a V di serie in PTFE Modificato.
- Tenuta addizionale su stelo con O-ring FKM.
- Stelo anti Blow-out.
- Foratura piano per attuatore a norma ISO 5211.
- Angolo di chiusura >7°.

STANDARD FEATURES

- No protruding floating ball, full bore.
- Soft-seat seal: DEVLON.
- Standard for connecting flanges: EN 1092-1; ANSI B16.5.
- Operating temperature see temperature pressure diagram.
- Pressure class: PN63-100 - ANSI 600.
- Tightness Class: EN12266-1 rate A.
- Intercepted fluid: petrochemical products, self-lubricating fluids (liquid and gaseous), compatible with the constructive materials. For non-self-lubricating fluids (water, ...) or other applications, contact our sales department.
- Antistatic device EN12266-2.
- Stem seal: Modified PTFE V-pack.
- Additional seal on stem with FKM O-ring.
- Anti Blow-out stem.
- Actuator connection as per standard ISO 5211.
- Closing angle >7°.

ESECUZIONI A RICHIESTA

- Per altri tipi di flangiature contattare il nostro ufficio commerciale.
- Guarnizioni di tenuta in: PTFE caricato vetro (PTFE-GF), PTFE caricato carbografito (PTFE-CF). Per altri tipi di materiale contattare il nostro ufficio commerciale.
- Esecuzione monodirezionale con foro di compensazione della pressione nella sfera.
- Leva inox.
- Dadi e molle stelo inox.
- Per esecuzioni con materiali (corpo/sfera/stelo) diversi dallo standard contattare il nostro ufficio commerciale.
- Marcatura e certificato ATEX A RICHIESTA.

FEATURES ON REQUEST

- For other flange types please contact our sales department.
- Sealing in: PTFE reinforced with glass (PTFE-GF), PTFE reinforced with carbon-graphite (PTFE-CF). For other types of materials please contact our sales department.
- Mono-directional version with pressure-relief hole in the ball.
- Stainless steel lever.
- Stainless steel Stem nuts and springs.
- For versions in materials different from the standard (body, ball, stem), please contact our sales department.
- Marking and certificate ATEX ON REQUEST.

CERTIFICAZIONI

- Conforme alla direttiva Europea 2014/68/EU PED; Fugitive Emission ISO 15848 (ISO FE BH-C03-SSA 0); TA-LUFT VDI 2440; FIRE SAFE: ISO 10497 Third ed. 2010 / API 607 Sixth ed. 2010.
- Livello di sicurezza funzionale fino a SIL 3 in accordo a IEC 61508.
- Conforme alla direttiva ATEX 2014/34/EU, certificato ATEX A RICHIESTA.

CERTIFICATIONS

- In compliance with European Directive 2014/68/EU PED; Fugitive Emission ISO 15848 (ISO FE BH-C03-SSA 0); TA-LUFT VDI 2440; FIRE SAFE: ISO 10497 Third ed. 2010 / API 607 Sixth ed. 2010.
- Safety integrity level up to SIL 3 according to the IEC 61508.
- In compliance with ATEX 2014/34/EU Directive, ATEX certificate ON REQUEST.

NORME DI PROGETTAZIONE

- Spessori corpo in accordo a: ASME B16.34, ASME VIII div.1, EN 12516.
- Materiali e rating in accordo ad ASME B16.34 per valvole ANSI ed EN 12516 per valvole PN.

ENGINEERING STANDARD

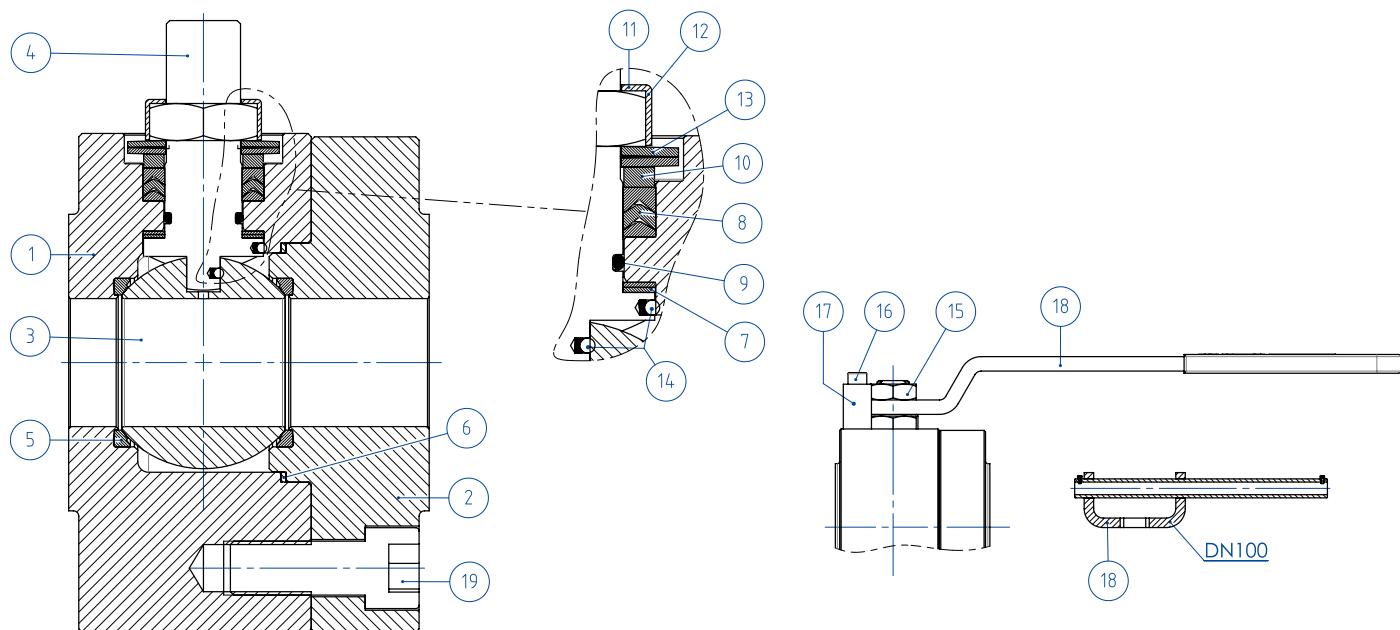
- Body thickness in compliance with: ASME B16.34, ASME VIII div.1, EN 12516.
- Materials and rating in compliance with ASME B16.34 for ANSI valves and EN 12516 for PN valves.



MAGNUM SPLIT WAFER - PN 63-100 ANSI 600

ACCIAIO INOX STAINLESS STEEL

TABELLA DEI MATERIALI MATERIALS TABLE



MATERIALI MATERIALS

SPLIT WAFER PN63-100 ANSI 600 acciaio inox stainless steel

N°	Descrizione Description	316 Stainless steel
1	Corpo Body	ASTM A182 F316 / A479TP316 (x)
2	Ghiera Ring nut	(1.4401 / X5CrNiMo17-12-2)
3	Sfera Ball	ASTM A351 CF8M (1.4408/GX5CrNiMo19-12-2)
4	Stelo Stem	A564 TP.630 (17-4PH)
5*	Seggio Seat	DEVLON (.)
6*	Guarnizione corpo ghiera Body-ring nut gasket	GRAFOIL
7*	Tenuta inferiore stelo Stem lower sealing	PTFE Modificato Modified PTFE (.) ●
8*	Pacco a V Chevron rings	PTFE Modificato Modified PTFE (.)
9*	O-ring stelo Stem o-ring	FKM (.)
10	Anello premiguarnizione Packing gland ring	304 S.S.
11	Piastra blocca dado Stop nut plate	304 S.S.
12	Dado stelo Stem nut	Acciaio al carbonio zincato Carbon steel galvanized (x)
13	Molle a tazza Springs washer	Acciaio al carbonio zincato Carbon steel galvanized (xx)
14	Dispositivo antistatico Antistatic device	316 S.S.
19	Vite corpo-ghiera Body-ring nut screw	A2-70 (304 S.S.)
15	Controdado Lock nut	Acciaio al carbonio zincato Carbon steel galvanized (x)
16	Vite di fermo Holder screw	A2-70 (304 S.S.)
17	Fermo di posizione Holder screw	Acciaio al carbonio zincato Carbon steel galvanized (x)
18	Leva Lever	Fe37 zincato - Galvanized (x)

* Componenti del kit di guarnizioni Components of seals kit

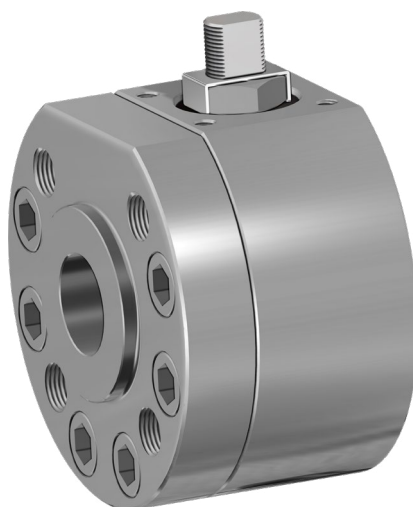
A richiesta disponibile in: Available on request:

(x): 304 s.s.

(xx): 301 s.s.

●: per ≤DN32 disponibile solo in DEVLON for ≤DN32 available only in DEVLON

(.): Altri materiali disponibili a richiesta Other materials available on request

**MAGNUM SPLIT WAFER - PN 63-100 ANSI 600****ACCIAIO INOX STAINLESS STEEL****ASSE LIBERO E CON LEVA FREE SHAFT AND WITH LEVER****CODICI VALVOLE ASSE LIBERO (V_) E CON LEVA (L_) IN ACCIAIO INOX -PN-
STAINLESS STEEL BARE SHAFT (V_) AND LEVER (L_) OPERATED VALVE CODE -PN-**

MISURA SIZE		PN	316 Stainless steel
DN [mm]	[inch]		
DN 15	1/2"	PN 63-100	V/LM404N00ABA0AAMRV000
DN 20	3/4"	PN 63-100	V/LM405N00ABA0AAMRV000
DN 25	1"	PN 63-100	V/LM406N00ABA0AAMRV000
DN 32	1" 1/4	PN 63-100	V/LM407N00ABA0AAMRV000
DN 40	1" 1/2	PN 63-100	V/LM408N00ABA0AAMNV000
DN 50	2"	PN 63	V/LM409K00ABA0AAMNV000
DN 50	2"	PN 100	V/LM409L00ABA0AAMNV000
DN 65	2" 1/2	PN 63	V/LM410K00ABA0AAMNV000
DN 65	2" 1/2	PN 100	V/LM410L00ABA0AAMNV000
DN 80	3"	PN 63	V/LM411K00ABA0AAMNV000
DN 80	3"	PN 100	V/LM411L00ABA0AAMNV000
DN 100	4"	PN 63	V/LM412K00ABA0AAMNV000
DN 100	4"	PN 100	V/LM412L00ABA0AAMNV000

**CODICI VALVOLE ASSE LIBERO (V_) E CON LEVA (L_) IN ACCIAIO INOX -ANSI-
STAINLESS STEEL BARE SHAFT (V_) AND LEVER (L_) OPERATED VALVE CODE -ANSI-**

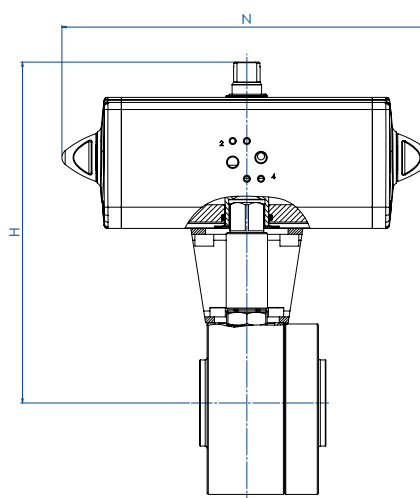
MISURA SIZE		ANSI	316 Stainless steel
DN [mm]	[inch]		
DN 15	1/2"	ANSI 600	V/LM404401ABA0AAMRV000
DN 20	3/4"	ANSI 600	V/LM405401ABA0AAMRV000
DN 25	1"	ANSI 600	V/LM406401ABA0AAMRV000
DN 32	1" 1/4	ANSI 600	V/LM407401ABA0AAMRV000
DN 40	1" 1/2	ANSI 600	V/LM408401ABA0AAMNV000
DN 50	2"	ANSI 600	V/LM409401ABA0AAMNV000
DN 65	2" 1/2	ANSI 600	V/LM410401ABA0AAMNV000
DN 80	3"	ANSI 600	V/LM411401ABA0AAMNV000
DN 100	4"	ANSI 600	V/LM412401ABA0AAMNV000



MAGNUM SPLIT WAFER - PN 63-100 ANSI 600

ACCIAIO INOX *STAINLESS STEEL*

CON ATTUATORE PNEUMATICO DA *WITH DA PNEUMATIC ACTUATOR*



CODICI ARTICOLI IN 316 ACCIAIO INOX -PN-

ITEM CODES IN 316 STAINLESS STEEL -PN-

MISURA SIZE		PN	CODICE ARTICOLO -316- ITEM CODE -316-	ATTUATORE ACTUATOR	KIT di montaggio Mounting KIT	N [mm]	H [mm]	Peso Kg Weight Kg
DN [mm]	[inch]							
DN 15	1/2"	PN 63-100	DM404N00ABA0AAMRV000AFCA0	DAN0030411S	KCNBCHD5340	174,2	179,2	5,9
DN 20	3/4"	PN 63-100	DM405N00ABA0AAMRV000AFDA0	DAN0045412S	KCNBCHD5341	188,5	189,5	8,6
DN 25	1"	PN 63-100	DM406N00ABA0AAMRV000AFEA0	DAN0060412S	KCNCCHD5342	198,0	200,4	9,3
DN 32	1" 1/4	PN 63-100	DM407N00ABA0AAMRV000AFGA0	DAN0106411S	KCNCCHD5343	237,0	218,3	12,6
DN 40	1" 1/2	PN 63-100	DM408N00ABA0AAMNV000AFHA0	DAN0120411S	KCNDDHD5344	244,1	218,3	17,1
DN 50	2"	PN 63	DM409K00ABA0AAMNV000AFIA0	DAN0180411S	KCNDDHD5345	289,9	276,5	22,3
DN 50	2"	PN 100	DM409L00ABA0AAMNV000AFIA0	DAN0180411S	KCNDDHD5345	289,9	276,5	25,3
DN 65	2" 1/2	PN 63	DM410K00ABA0AAMNV000AFJA0	DAN0240411S	KCNEEHD5346	313,6	315,1	36,8
DN 65	2" 1/2	PN 100	DM410L00ABA0AAMNV000AFJA0	DAN0240411S	KCNEEHD5347	313,6	322,1	40,5
DN 80	3"	PN 63	DM411K00ABA0AAMNV000AFKA0	DAN0360411S	KCNEEHD5346	339,3	329,5	43,3
DN 80	3"	PN 100	DM411L00ABA0AAMNV000AFKA0	DAN0360411S	KCNEEHD5347	339,3	336,5	48,7
DN 100	4"	PN 63	DM412K00ABA0AAMNV000AFMA0	DAN0720411S	KCNFGHD5364	433,1	401,0	83,9
DN 100	4"	PN 100	DM412L00ABA0AAMNV000AFMA0	DAN0720411S	KCNFGHD6237	433,1	401,0	83,6

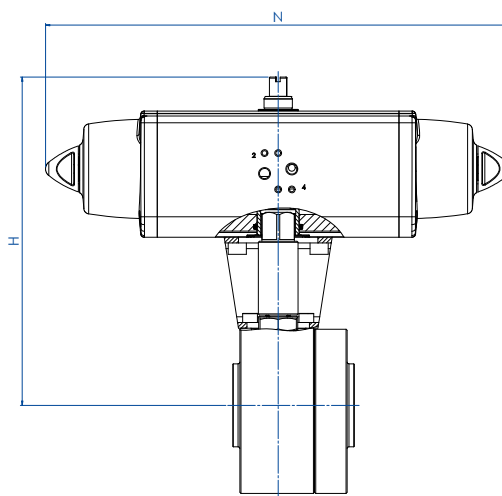
CODICI ARTICOLI IN 316 ACCIAIO INOX -ANSI-

ITEM CODES IN 316 STAINLESS STEEL -ANSI-

MISURA SIZE		ANSI	CODICE ARTICOLO -316- ITEM CODE -316-	ATTUATORE ACTUATOR	KIT di montaggio Mounting KIT	N [mm]	H [mm]	Peso Kg Weight Kg
DN [mm]	[inch]							
DN 15	1/2"	ANSI 600	DM404401ABA0AAMRV000AFCA0	DAN0030411S	KCNBCHD5340	174,2	179,2	5,9
DN 20	3/4"	ANSI 600	DM405401ABA0AAMRV000AFDA0	DAN0045412S	KCNBCHD5341	188,5	189,5	8,6
DN 25	1"	ANSI 600	DM406401ABA0AAMRV000AFEA0	DAN0060412S	KCNCCHD5342	198,0	200,4	9,3
DN 32	1" 1/4	ANSI 600	DM407401ABA0AAMRV000AFGA0	DAN0106411S	KCNCCHD5343	237,0	218,3	12,6
DN 40	1" 1/2	ANSI 600	DM408401ABA0AAMNV000AFHA0	DAN0120411S	KCNDDHD5344	244,1	218,3	17,1
DN 50	2"	ANSI 600	DM409401ABA0AAMNV000AFIA0	DAN0180411S	KCNDDHD5345	289,9	276,5	22,3
DN 65	2" 1/2	ANSI 600	DM410401ABA0AAMNV000AFJA0	DAN0240411S	KCNEEHD5346	313,6	315,1	36,8
DN 80	3"	ANSI 600	DM411401ABA0AAMNV000AFKA0	DAN0360411S	KCNEEHD5346	339,3	329,5	43,3
DN 100	4"	ANSI 600	DM412401ABA0AAMNV000AFMA0	DAN0720411S	KCNFGHD6234	433,1	404,0	83,9



MAGNUM SPLIT WAFER - PN 63-100 ANSI 600
ACCIAIO INOX STAINLESS STEEL
CON ATTUATORE PNEUMATICO SR WITH SR PNEUMATIC ACTUATOR



MISURA SIZE		PN	CODICE ARTICOLO -316- ITEM CODE -316-	ATTUATORE ACTUATOR	KIT di montaggio Mounting KIT	N [mm]	H [mm]	Peso Kg Weight Kg
DN [mm]	[inch]							
DN 15	1/2"	PN 63-100	SM404N00ABA0AAMRV000AFEAO	SRN0030402S	KCNBCHD5350	258,8	190,4	6,9
DN 20	3/4"	PN 63-100	SM405N00ABA0AAMRV000AFGAO	SRN0053401S	KCNBCHD5351	304,2	208,3	10,2
DN 25	1"	PN 63-100	SM406N00ABA0AAMRV000AFHAO	SRN0060401S	KCNCCHD5343	338,5	217,0	11,1
DN 32	1" 1/4	PN 63-100	SM407N00ABA0AAMRV000AFIAO	SRN0090401S	KCNCDDHD5352	393,7	252,5	16,4
DN 40	1" 1/2	PN 63-100	SM408N00ABA0AAMNV000AFJAO	SRN0120401S	KCNDDHD5353	409,6	269,1	21,5
DN 50	2"	PN 63	SM409K00ABA0AAMNV000AFKAO	SRN0180401S	KCNDDHD5345	474,0	287,0	26,6
DN 50	2"	PN 100	SM409L00ABA0AAMNV000AFKAO	SRN0180401S	KCNDDHD5345	474,0	287,0	29,6
DN 65	2" 1/2	PN 63	SM410K00ABA0AAMNV000AFLAO	SRN0240401S	KCNEEHD5354	520,5	339,0	43,2
DN 65	2" 1/2	PN 100	SM410L00ABA0AAMNV000AFLAO	SRN0240401S	KCNEEHD5355	520,5	346,0	47,0
DN 80	3"	PN 63	SM411K00ABA0AAMNV000AFMAO	SRN0360401S	KCNEEHD5354	613,0	359,5	53,3
DN 80	3"	PN 100	SM411L00ABA0AAMNV000AFMAO	SRN0360401S	KCNEEHD5355	613,0	366,5	58,8
DN 100	4"	PN 63	SM412K00ABA0AAMNV000AFQAO	SRN0720401S	KCNGGHD5368	798,0	439,0	105,6
DN 100	4"	PN 100	SM412L00ABA0AAMNV000AFQAO	SRN0720401S	KCNGGHD6238	798,0	439,0	105,3

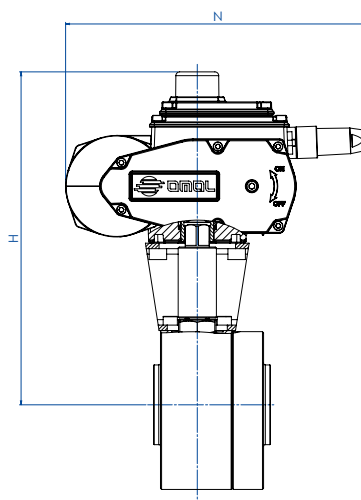
MISURA SIZE		ANSI	CODICE ARTICOLO -316- ITEM CODE -316-	ATTUATORE ACTUATOR	KIT di montaggio Mounting KIT	N [mm]	H [mm]	Peso Kg Weight Kg
DN [mm]	[inch]							
DN 15	1/2"	ANSI 600	SM404401ABA0AAMRV000AFEAO	SRN0030402S	KCNBCHD5350	258,8	190,4	6,8
DN 20	3/4"	ANSI 600	SM405401ABA0AAMRV000AFGAO	SRN0053401S	KCNBCHD5351	304,2	208,3	8,2
DN 25	1"	ANSI 600	SM406401ABA0AAMRV000AFHAO	SRN0060401S	KCNCCHD5343	338,5	217,0	10,5
DN 32	1" 1/4	ANSI 600	SM407401ABA0AAMRV000AFIAO	SRN0090401S	KCNCDDHD5352	393,7	252,5	14,7
DN 40	1" 1/2	ANSI 600	SM408401ABA0AAMNV000AFJAO	SRN0120401S	KCNDDHD5353	409,6	269,1	19,2
DN 50	2"	ANSI 600	SM409401ABA0AAMNV000AFKAO	SRN0180401S	KCNDDHD5345	474,0	284,0	25,6
DN 65	2" 1/2	ANSI 600	SM410401ABA0AAMNV000AFLAO	SRN0240401S	KCNEEHD5354	520,5	339,0	42,2
DN 80	3"	ANSI 600	SM411401ABA0AAMNV000AFMAO	SRN0360401S	KCNEEHD5354	613,0	359,5	52,2
DN 100	4"	ANSI 600	SM412401ABA0AAMNV000AFQAO	SRN0720401S	KCNGGHD6235	798,0	442,0	147,4



MAGNUM SPLIT WAFER - PN 63-100 ANSI 600

ACCIAIO INOX STAINLESS STEEL

CON ATTUATORE ELETTRICO WITH ELECTRIC ACTUATOR



MISURA SIZE		PN	CODICE ARTICOLO -316- ITEM CODE -316-	ATTUATORE ACTUATOR	KIT di montaggio Mounting KIT	N [mm]	H [mm]	Peso Kg Weight Kg
DN [mm]	[inch]							
DN 15	1/2"	PN 63-100	EM404N00ABA0AAMRV000AMEGO	EA0035A5C000	KCNBCHD5350	250,0	237,0	8,5
DN 20	3/4"	PN 63-100	EM405N00ABA0AAMRV000AMEGO	EA0035A5C000	KCNBCHD5357	250,0	242,0	8,6
DN 25	1"	PN 63-100	EM406N00ABA0AAMRV000AMGG0	EA0070A5C000	KCNCCHD5342	250,0	247,0	11,5
DN 32	1" 1/4	PN 63-100	EM407N00ABA0AAMRV000AMGG0	EA0070A5C000	KCNCCHD5342	250,0	252,0	13,9
DN 40	1" 1/2	PN 63-100	EM408N00ABA0AAMNV000AMIG0	EA0130A5C000	KCNDDHD5344	280,0	285,5	21,7
DN 50	2"	PN 63	EM409K00ABA0AAMNV000AMIG0	EA0130A5C000	KCNDDHD5358	280,0	296,5	24,7
DN 50	2"	PN 100	EM409L00ABA0AAMNV000AMIG0	EA0130A5C000	KCNDDHD5358	280,0	296,5	27,7
DN 65	2" 1/2	PN 63	EM410K00ABA0AAMNV000AMKGO	EA0240A5C000	KCNEEHD5346	280,0	331,5	38,9
DN 65	2" 1/2	PN 100	EM410L00ABA0AAMNV000AMKGO	EA0240A5C000	KCNEEHD5347	280,0	338,5	42,6
DN 80	3"	PN 63	EM411K00ABA0AAMNV000AMNA0	AE160040	KCNEEHV5359	256,5	366,5	46,0
DN 80	3"	PN 100	EM411L00ABA0AAMNV000AMNA0	AE160040	KCNEEHV5360	256,5	373,5	51,5
DN 100	4"	PN 63	EM412K00ABA0AAMNV000AMTA0	AE160100	KCNFGHV5372	381,0	457,0	94,2
DN 100	4"	PN 100	EM412L00ABA0AAMNV000AMTA0	AE160100	KCNFGHV6241	381,0	457,0	93,9

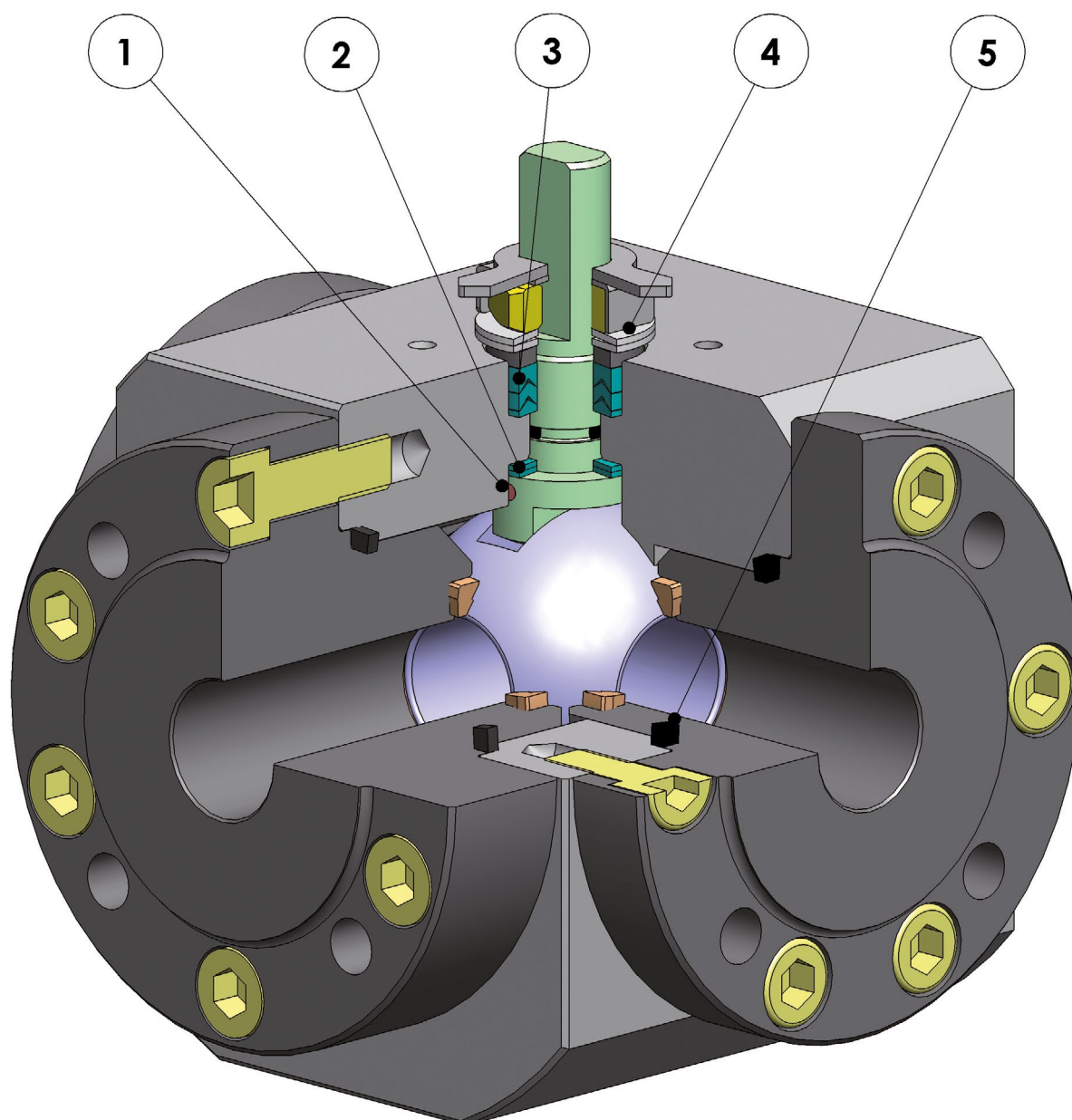
MISURA SIZE		ANSI	CODICE ARTICOLO -316- ITEM CODE -316-	ATTUATORE ACTUATOR	KIT di montaggio Mounting KIT	N [mm]	H [mm]	Peso Kg Weight Kg
DN [mm]	[inch]							
DN 15	1/2"	ANSI 600	EM404401ABA0AAMRV000AMEGO	EA0035A5C000	KCNBCHD5350	250,0	237,0	8,4
DN 20	3/4"	ANSI 600	EM405401ABA0AAMRV000AMEGO	EA0035A5C000	KCNBCHD5357	250,0	242,0	8,8
DN 25	1"	ANSI 600	EM406401ABA0AAMRV000AMGG0	EA0070A5C000	KCNCCHD5342	250,0	247,0	10,9
DN 32	1" 1/4	ANSI 600	EM407401ABA0AAMRV000AMGG0	EA0070A5C000	KCNCCHD5342	250,0	252,0	12,2
DN 40	1" 1/2	ANSI 600	EM408401ABA0AAMNV000AMIG0	EA0130A5C000	KCNDDHD5344	280,0	285,5	19,4
DN 50	2"	ANSI 600	EM409401ABA0AAMNV000AMIG0	EA0130A5C000	KCNDDHD5358	280,0	296,5	23,7
DN 65	2" 1/2	ANSI 600	EM410401ABA0AAMNV000AMKGO	EA0240A5C000	KCNEEHD5346	280,0	331,5	37,7
DN 80	3"	ANSI 600	EM411401ABA0AAMNV000AMNA0	AE160040	KCNEEHV5359	256,5	366,5	44,9
DN 100	4"	ANSI 600	EM412401ABA0AAMNV000AMTA0	AE160100	KCNFGHV6236	381,0	450,0	95,0



MAGNUM SPLIT WAFER

3 VIE 4 GUARNIZIONI

3 WAY 4 SEALS





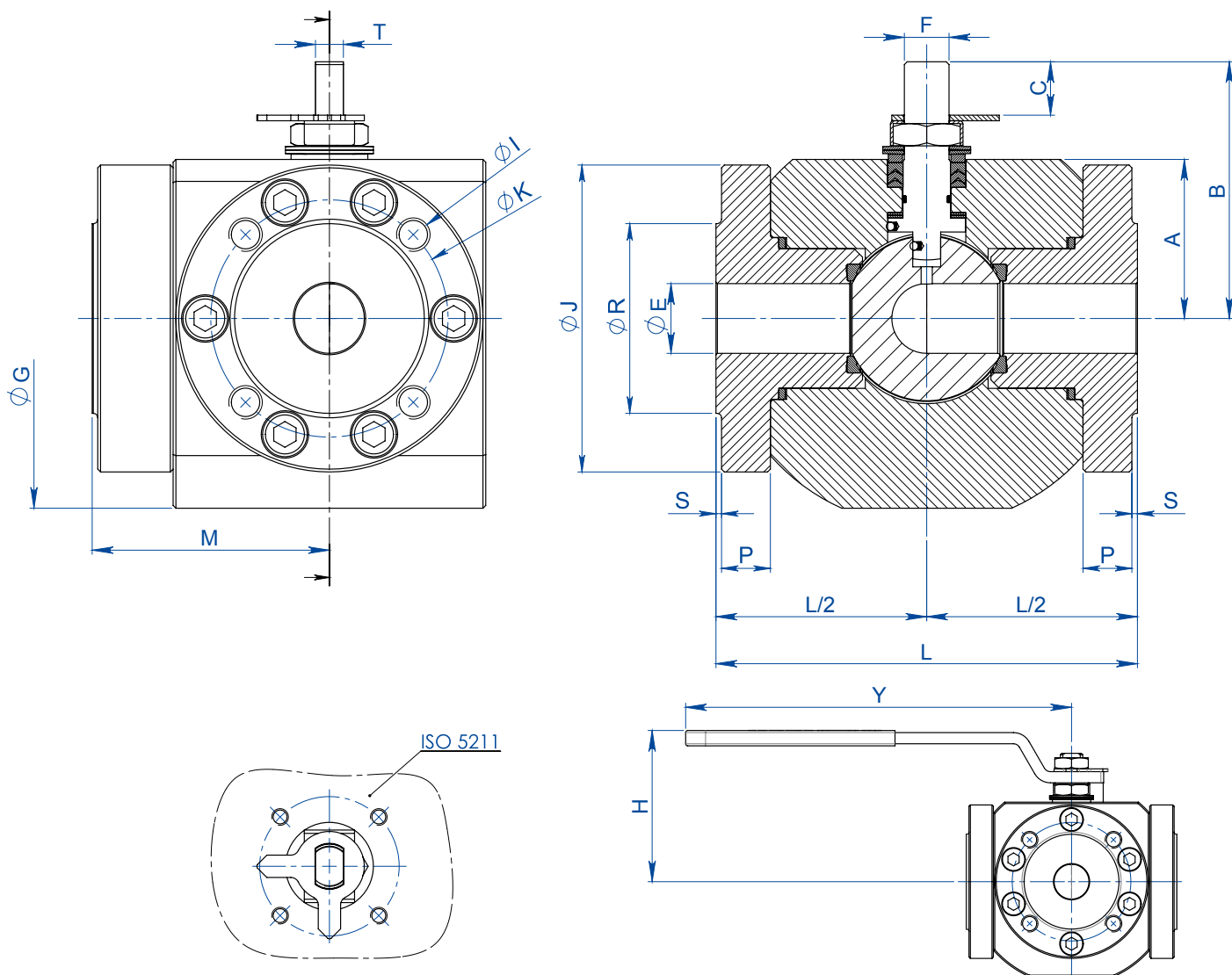
FEATURES & BENEFITS

1	<p>Antistatic device (continuità elettrica tra sfera, stelo e corpo)</p> <p><i>Antistatic device ((electrical continuity between ball, stem and body)</i></p>	<p>Si evitano cariche elettrostatiche che potrebbero essere causa d'innesco in ambienti infiammabili e/o esplosivi</p> <p><i>Static electricity is avoided which can cause sparks and fire in an inflammable/explosive environment</i></p> <p>Sicurezza garantita del contatto durante tutta la vita della valvola</p> <p><i>Contact safety throughout the entire life of the valve</i></p>
2	<p>Doppio anello antifrizione</p> <p><i>Double antifriction washer</i></p>	<p>Garantisce una minor coppia di azionamento della valvola</p> <p><i>Less Breakaway Torque is granted</i></p> <p>Minor usura rispetto all'esecuzione con singolo anello</p> <p><i>Less wear comparing with the execution with the single washer</i></p>
3	<p>Pacco guarnizioni a "v" con 3 guarnizioni più o-ring</p> <p><i>"V" seals pack; 3 seals + o-ring</i></p>	<p>Si garantisce una perfetta tenuta anche dopo un numero elevato di cicli</p> <p><i>It ensures a perfect tightness even after a high number of cycles</i></p>
4	<p>Molle a tazza sulla tenuta dello stelo</p> <p><i>Spring washer on the shaft seal</i></p>	<p>Garantiscono il recupero dei giochi dovuti all'usura causata dal movimento semirotoratorio dell'albero evitando perdite verso l'esterno</p> <p><i>Guarantee of the recovery of the gap due to the wear caused by the rotational movement of the shaft avoiding leakage towards the outside part.</i></p> <p>Consentono di mantenere energizzate le guarnizioni tipo "chevron" (a V), evitando perdite verso l'esterno, a fronte di notevoli escursioni termiche</p> <p><i>Allow to maintain energized the "chevron" seals (V), thus avoiding any leakage to the outside, against huge temperature excursions</i></p>
5	<p>Tenuta elasticizzata in grafite</p> <p><i>Stretch Graphite seal</i></p>	<p>Garantisce una tenuta verso l'esterno indipendentemente dalle escursioni termiche a cui è sottoposta la valvola</p> <p><i>Tightness towards outside is granted, independently by the thermal excursions to which the valve is subjected</i></p>
	<p>Maggiore precisione nell'allineamento degli assi grazie alla lavorazione dal grezzo al finito con un unico posizionamento</p> <p><i>Greater precision in the alignment of axes due to a unique positioning in the process machining from raw material to finished valve</i></p>	<p>Maggior vita della valvola stessa</p> <p><i>Longer lifetime of the valve</i></p> <p>Minor coppia di azionamento</p> <p><i>Less breakaway torque</i></p>
	<p>Corpo valvola in acciaio al carbonio realizzato con materiale normalizzato certificato NACE in esecuzione standard</p> <p><i>Valve body in carbon steel made with NACE certified material as standard</i></p>	<p>Garantisce una maggior resistenza alla corrosione</p> <p><i>Greater corrosion resistance</i></p> <p>Maggior duttilità del materiale</p> <p><i>Greater ductility of the material</i></p>
	<p>Processo produttivo interamente eseguito in OMAL</p> <p><i>100% in-house manufacturing process technology</i></p>	<p>Massimo controllo in tutte le fasi di lavorazione</p> <p><i>Maximum control and accuracy in all the stages of the manufacturing process</i></p> <p>Possibilità di fornire rapidamente esecuzioni speciali richieste dal cliente</p> <p><i>Flexibility in supply quickly special executions requested by customers</i></p>
	<p>Certificato ATEX</p> <p><i>ATEX Certificate</i></p>	<p>Ne consente l'installazione in presenza di ambiente potenzialmente esplosivo</p> <p><i>Installation is possible in a potential explosive environment</i></p>
	<p>Certificazione "TA LUFT fugitive emission"</p> <p><i>TA LUFT fugitive emission Certificate</i></p>	<p>Garantisce un elevato grado di sicurezza della tenuta stelo verso l'esterno</p> <p><i>High level of safety of the tightness towards the outside is granted</i></p>
	<p>Certificato PED</p> <p><i>PED Certificate</i></p>	<p>Piena conformità alle norme di sicurezza europee per i dispositivi in pressione</p> <p><i>Full compliance with European Safety Standards for Pressure Equipment</i></p>



MAGNUM SPLIT WAFER 3 WAY 4 SEALS

PN 16-40 ANSI 150



MISURA		SIZE		DIMENSIONI																DIMENSIONS		-PN-		KIT LEVA		KIT GUARNIZIONI	
DN [mm]	[inch]	PN	ØE	L	M	A	B	C	ATT. ISO	F/T	ØG	ØJ	ØR	S	P	ØK	N° FORI	ØI	H	Y	Kg.	LEVER KIT	SEALS KIT				
15	1/2"	16-40	13	124	62	40	55	9,2	F03	10/6	112	90	45	2	15	65	4	M12	73	140	6,8	KLV58004	KGBV557040				
20	3/4"	16-40	19	136	79	48	71	13	F04	12/8	130	100	58	2	14	75	4	M12	90,4	150	10,5	KLV58006	KGBV557050				
25	1"	16-40	25	151	85	57	92	19,1	F05	16/10	149	110	68	2	16	85	4	M12	108,4	275	15,2	KLV58008	KGBV557060				
32	1 1/4"	16-40	32	167	96	60	95	19,1	F05	16/10	164	130	78	2	20	100	4	M16	111,4	275	20,8	KLV58008	KGBV557070				
40	1 1/2"	16-40	38	185	100	72	119,5	26,4	F07	22/14	185	140	88	3	20	110	4	M16	132,5	350	26,1	KLV58010	KGBV557080				
50	2"	16-40	51	200	110	81	128,5	26,7	F07	22/14	195	150	102	3	20	125	4	M16	141,5	350	32,4	KLV58010	KGBV557090				
65	2 1/2"	16	64	218	121	93	154	33,2	F10	30/18	220	178	122	3	20	145	4	M16	180,3	450	47,6	KLV58012	KGBV557100				
80	3"	16	76	244	126	101	162	33,2	F10	30/18	239	190	135	3	20	160	8	M16	188,3	450	57,9	KLV58012	KGBV557110				
100	4"	16	102	325	150	124	182	33,2	F10	30/18	296	235	158	3	20	180	8	M16	208,3	450	109	KLV58012	KGBV557120				

MISURA		SIZE		DIMENSIONI																DIMENSIONS		-ANSI-		KIT LEVA		KIT GUARNIZIONI	
DN [mm]	[inch]	ANSI	ØE	L	M	A	B	C	ATT. ISO	F/T	ØG	ØJ	ØR	S	P	ØK	N° FORI	ØI	H	Y	Kg.	LEVER KIT	SEALS KIT				
15	1/2"	150	13	124	62	40	55	9,2	F03	10/6	112	90	35,1	1,6	16	60,5	4	1/2"UNC	73	140	6,8	KLV58004	KGBV557040				
20	3/4"	150	19	136	79	48	71	13	F04	12/8	130	100	42,9	1,6	16	69,8	4	1/2"UNC	90,4	150	10,4	KLV58006	KGBV557050				
25	1"	150	25	151	85	57	92	19,1	F05	16/10	149	110	50,8	1,6	16	79,2	4	1/2"UNC	108,4	275	15,2	KLV58008	KGBV557060				
32	1 1/4"	150	32	167	96	60	95	19,1	F05	16/10	164	130	63,5	1,6	16	88,9	4	1/2"UNC	111,4	275	21,3	KLV58008	KGBV557070				
40	1 1/2"	150	38	185	100	72	119,5	26,4	F07	22/14	185	140	73	1,6	16	98,6	4	1/2"UNC	132,5	350	26,4	KLV58010	KGBV557080				
50	2"	150	51	200	110	81	128,5	26,7	F07	22/14	195	150	91,9	1,6	20	120,6	4	5/8"UNC	141,5	350	32,6	KLV58010	KGBV557090				
65	2 1/2"	150	64	218	121	93	154	33,2	F10	30/18	220	178	104,6	1,6	20	139,7	4	5/8"UNC	180,3	450	46,6	KLV58012	KGBV557100				
80	3"	150	76	244	126	101	162	33,2	F10	30/18	239	190	127	1,6	20	152,4	4	5/8"UNC	188,3	450	58,5	KLV58012	KGBV557110				
100	4"	150	102	325	150	124	182	33,2	F10	30/18	296	235	157,2	1,6	20	190,5	8	5/8"UNC	208,3	450	109	KLV58012	KGBV557120				



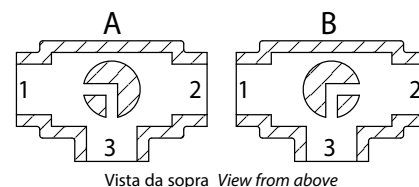
MAGNUM SPLIT WAFER 3 WAY 4 SEALS

PN 16-40 ANSI 150

SCHEMA SFERA A "L" PLAN FOR "L" PORT

N.B.: Con attuatore **SR NORMALMENTE CHIUSO** la posizione di riposo della sfera deve essere la "A".
 Con attuatore **SR NORMALMENTE APERTO** la posizione di riposo della sfera deve essere la "B".

N.B.: "A" must be the rest position of the ball with **SR FAIL CLOSE** actuator.
 "B" must be the rest position of the ball with **SR FAIL OPEN** actuator.



SCHEMA SFERA A "T" PLAN FOR "T" PORT

Con l'attuatore sono possibili solo due posizioni con rotazione di 90°: la configurazione della sfera deve essere sempre comunicata al nostro ufficio commerciale.

N.B.: Con attuatore **SR NORMALMENTE CHIUSO** scegliere la posizione di riposo della sfera; alimentando, l'attuatore ruota in senso antiorario.
 Con attuatore **SR NORMALMENTE APERTO** scegliere la posizione di riposo della sfera; alimentando, l'attuatore ruota in senso orario.

With actuator 2 positions with 90° rotation are possible only: the configuration of the ball must always be communicated to our sales department.

N.B.: Choose the rest position of the ball with **SR FAIL CLOSE** actuator; whenever supplied with air, actuator turns in an anticlockwise direction.
 Choose the rest position of the ball with **SR FAIL OPEN** actuator; whenever supplied with air, actuator turns in a clockwise direction.

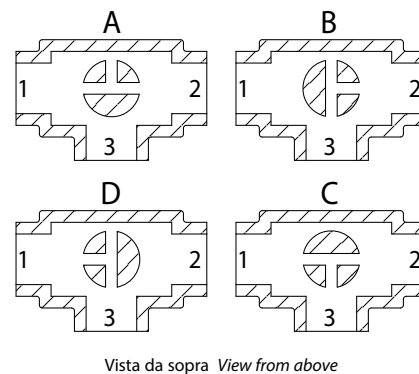
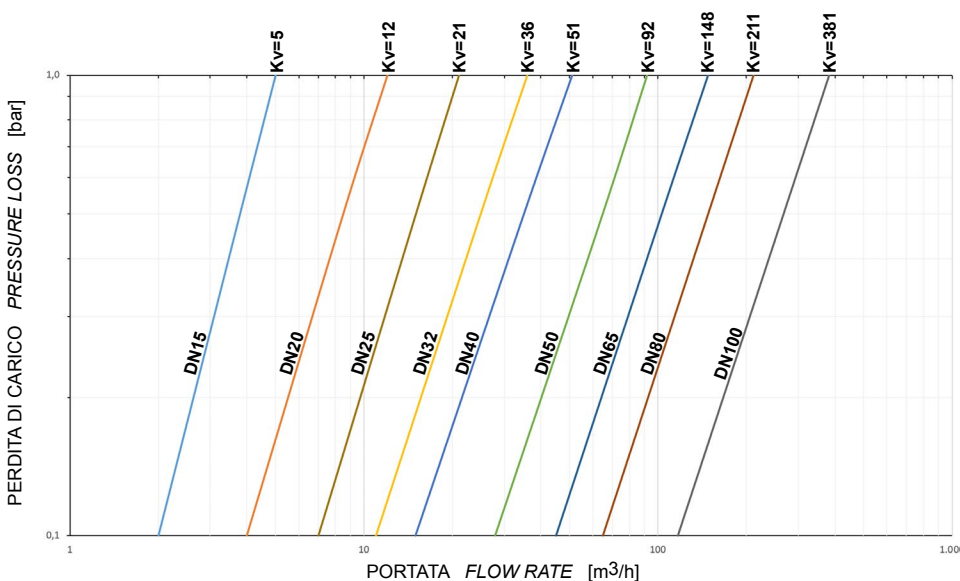


DIAGRAMMA PORTATA/PERDITA DI CARICO E COEFFICIENTE NOMINALE Kv

FLOW/PRESSURE LOSS DIAGRAM AND Kv NOMINAL COEFFICIENT



Il valore Kv è il valore di portata in m³/h (con acqua a 15°C) che provoca la caduta di pressione di 1 bar.

Kv is the coefficient, expressed in m³/h (with water at 15°C) causing a pressure loss of 1 bar.

Il dimensionamento degli attuatori pneumatici è stato fatto considerando una pressione minima di alimentazione pari a 5,6 barg. Qualora si intercettino fluidi sgrassanti e/o contenenti particolato solido le coppie di manovra possono risultare maggiorate rispetto a quanto previsto.

The sizing of pneumatic actuators has been done considering a minimum supply pressure of 5,6 barg. In case of not lubricated fluids and/or fluids containing solid particles, torques could be higher than the ones indicated.



MAGNUM SPLIT WAFER 3 WAY 4 SEALS PN 16-40 ANSI 150

ACCIAIO AL CARBONIO CARBON STEEL



ESECUZIONE STANDARD

- Sfera flottante, passaggio totale.
- Tenuta soft seat PTFE Modificato.
- Norme per flange d'attacco: EN1092-1, ASME B16.5.
- Classi di pressione : ANSI 150; PN16-40.
- Classe di tenuta: EN12266-1 rate A.
- Temperatura di utilizzo: -20°C +150°C.
- Fluido intercettato: aria, acqua, gas, prodotti petroliferi e petrolchimici, fluidi aggressivi.
- Antistatic device EN12266-2.
- Tenuta stelo: pacco a V di serie in PTFE Modificato.
- Tenuta addizionale su stelo con O-ring FKM.
- Stelo anti Blow-out.
- Foratura piano per attuatore a norma ISO 5211.

STANDARD FEATURES

- Floating ball, full bore.
- Soft-seat seal Modified PTFE.
- Standard for connecting flanges: EN1092-1, ASME B16.5.
- Pressure Class : ANSI 150; PN16-40.
- Tightness Class: EN12266-1 rate A.
- Working temperature: -20°C +150°C.
- Intercepted fluid: air, water, gas, petroleum and petrochemical products, aggressive fluids.
- Antistatic device EN12266-2.
- Stem seal: Modified PTFE V-pack.
- Additional seal on stem with FKM O-ring.
- Anti Blow-out stem.
- Actuator connection as per standard ISO 5211.

ESECUZIONI A RICHIESTA

- Esecuzione per temperatura -40°C in A350 LF2.
- Per altri tipi di flangiatura contattare il nostro ufficio commerciale.
- Guarnizioni di tenuta in: PTFE caricato vetro (PTFE-GF), PTFE caricato carbografite (PTFE-CF). Per altri tipi di materiale contattare il nostro ufficio commerciale.
- Leva, Dadi e molle stelo inox.
- Per esecuzioni con materiali (corpo/sfera/stelo) diversi dallo standard contattare il nostro ufficio commerciale.
- Trattamento superficiale: zincatura bianca, verniciatura epossidica (per altri trattamenti contattare il nostro ufficio commerciale).
- Marcatura e certificato ATEX A RICHIESTA.

EXECUTION ON REQUEST

- LF2 carbon steel for low temperature execution (-40°C).
- For other flange types please contact our sales department.
- Sealing in: PTFE reinforced with glass (PTFE-GF), PTFE reinforced with carbon-graphite (PTFE-CF). For other types of materials please contact our sales department.
- Stainless steel lever.
- Stainless steel stem nuts and springs.
- For versions with materials (body/ball/stem) different from the standard please contact our sales department.
- Surface treatment: white zinc coating, epoxy coating. For other coating please contact our sales department.
- Marking and certificate ATEX ON REQUEST.

CERTIFICAZIONI

- Conforme alla direttiva Europea 2014/68/EU PED; Fugitive Emission ISO 15848 (ISO FE BH-C03-SSA 0); Ta-Luft VDI: 2440.
- Livello di sicurezza funzionale fino a SIL 3 in accordo a IEC 61508.
- Conforme alla direttiva ATEX 2014/34/EU, certificato ATEX A RICHIESTA.

CERTIFICATIONS

- In compliance with European Directive 2014/68/EU PED; Fugitive Emission ISO 15848 (ISO FE BH-C03-SSA 0); Ta-Luft VDI: 2440.
- Safety integrity level up to SIL 3 according to the IEC 61508.
- In compliance with ATEX 2014/34/EU Directive, ATEX certificate ON REQUEST.

NORME DI PROGETTAZIONE

- Spessori corpo in accordo a ASME B16.34, ASME VIII div.1, EN12516.
- Materiali e rating in accordo ad ASME B16.34 per valvole ANSI ed EN12516 per valvole PN.

ENGINEERING STANDARDS

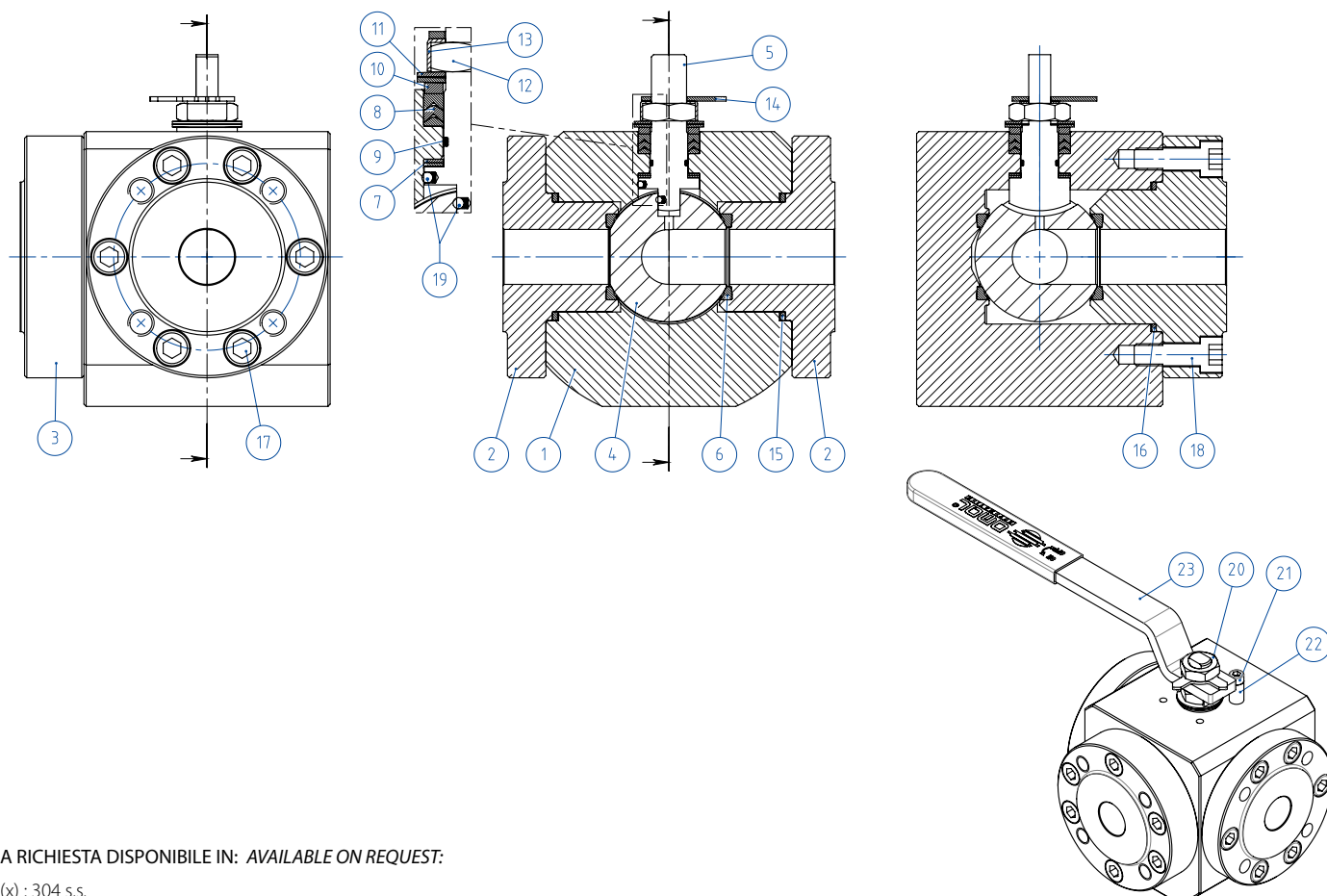
- Body thickness in compliance with: ASME B16.34, ASME VIII div.1, EN12516.
- Materials and rating in compliance with ASME B16.34 for ANSI valves and EN12516 for PN valves.



MAGNUM SPLIT WAFER 3 WAY 4 SEALS - PN 16-40 ANSI 150

ACCIAIO AL CARBONIO CARBON STEEL

TABELLA DEI MATERIALI MATERIALS TABLE



A RICHIESTA DISPONIBILE IN: AVAILABLE ON REQUEST:

(x) : 304 s.s.

(xx) : 301 s.s.

MATERIALI MATERIALS - SPLIT WAFER PN16-40 ANSI 150			
N°	Descrizione Description	A105 Carbon steel	A350 LF2 Carbon steel
1	Corpo Body		
2	Ghiera Ring nut	ASTM A105	ASTM A350 LF2
3	Ghiera side entry Side entry ring nut		
4	Sfera Ball		ASTM A351 CF8M
5	Stelo Stem		A564 TP,630 (17-4PH)
6*	Seggio Seat		PTFE Modificato Modified PTFE
7*	Tenuta inferiore stelo Stem lower sealing		PTFE Modificato Modified PTFE
8*	Pacco a V Chavron ring		PTFE Modificato Modified PTFE
9*	O-ring stelo Stem o-ring		FKM
10	Anello premi guarnizione Packing gland ring	Acciaio al carbonio zincato Carbon steel galvanized (x)	
11	Molle stelo Stem springs	Acciaio al carbonio zincato Carbon steel galvanized (xx)	
12	Dado stelo Stem nut	Acciaio al carbonio zincato Carbon steel galvanized (x)	
13	Piastra blocca dado Stop nut plate		304 S.S.
14	Indicatore Indicator		304 S.S.
15*	Guarnizione corpo ghiera Body ring nut gasket		GRAFOIL
16*	Guarnizione corpo ghiera side entry Body side entry ring nut gasket		GRAFOIL
17	Viti corpo ghiera Body ring nut screw		
18	Viti corpo ghiera side entry Body-side entering ring nut screw	8.8 zincate - galvanized	A2-70 (304 S.S.)
19	Dispositivo antistatico Antistatic device		316 S.S.
20	Controdado Lock nut	Acciaio al carbonio zincato Carbon steel galvanized (x)	
21	Vite di fermo Holder screw		A2-70 (304 S.S.)
22	Fermo di posizione Holder screw	Acciaio al carbonio zincato Carbon steel galvanized (x)	
23	Leva Lever		Fe37 zincato - galvanized (x)

* Componenti del kit di guarnizioni Components of seals kit



MAGNUM SPLIT WAFER 3 WAY 4 SEALS - PN 16-40 ANSI 150

ACCIAIO AL CARBONIO CARBON STEEL

ASSE LIBERO E CON LEVA - SFERA A "L" e "T" FREE SHAFT AND WITH LEVER - "L" and "T" BALL



CODICI VALVOLE IN ACCIAIO AL CARBONIO ASSE LIBERO (V_) E CON LEVA (L_) - SFERA A "L" CARBON STEEL BARE SHAFT (V_) AND LEVER (L_) OPERATED VALVE CODE - "L" BALL

	MISURA SIZE		PN/ANSI	A105 Carbon steel	LF2 Carbon steel
	DN [mm]	[inch]			
PN	DN 15	1/2"	PN 16-40	V/LM504F00CAA0ABQNV00B	V/LM504F00CBA0AAQNV00B
	DN 20	3/4"	PN 16-40	V/LM505F00CAA0ABQNV00B	V/LM505F00CBA0AAQNV00B
	DN 25	1"	PN 16-40	V/LM506F00CAA0ABQNV00B	V/LM506F00CBA0AAQNV00B
	DN 32	1" 1/4	PN 16-40	V/LM507F00CAA0ABQNV00B	V/LM507F00CBA0AAQNV00B
	DN 40	1" 1/2	PN 16-40	V/LM508F00CAA0ABQNV00B	V/LM508F00CBA0AAQNV00B
	DN 50	2"	PN 16-40	V/LM509F00CAA0ABQNV00B	V/LM509F00CBA0AAQNV00B
	DN 65	2" 1/2	PN 16	V/LM510E00CAA0ABQNV00B	V/LM510E00CBA0AAQNV00B
	DN 80	3"	PN 16	V/LM511E00CAA0ABQNV00B	V/LM511E00CBA0AAQNV00B
	DN 100	4"	PN 16	V/LM512E00CAA0ABQNV00B	V/LM512E00CBA0AAQNV00B
ANSI	DN 15	1/2"	ANSI 150	V/LM504101CAA0ABQNV00B	V/LM504101CBA0AAQNV00B
	DN 20	3/4"	ANSI 150	V/LM505101CAA0ABQNV00B	V/LM505101CBA0AAQNV00B
	DN 25	1"	ANSI 150	V/LM506101CAA0ABQNV00B	V/LM506101CBA0AAQNV00B
	DN 32	1" 1/4	ANSI 150	V/LM507101CAA0ABQNV00B	V/LM507101CBA0AAQNV00B
	DN 40	1" 1/2	ANSI 150	V/LM508101CAA0ABQNV00B	V/LM508101CBA0AAQNV00B
	DN 50	2"	ANSI 150	V/LM509101CAA0ABQNV00B	V/LM509101CBA0AAQNV00B
	DN 65	2" 1/2	ANSI 150	V/LM510101CAA0ABQNV00B	V/LM510101CBA0AAQNV00B
	DN 80	3"	ANSI 150	V/LM511101CAA0ABQNV00B	V/LM511101CBA0AAQNV00B
	DN 100	4"	ANSI 150	V/LM512101CAA0ABQNV00B	V/LM512101CBA0AAQNV00B

CODICI VALVOLE IN ACCIAIO AL CARBONIO ASSE LIBERO (V_) E CON LEVA (L_) - SFERA A "T" CARBON STEEL BARE SHAFT (V_) AND LEVER (L_) OPERATED VALVE CODE - "T" BALL

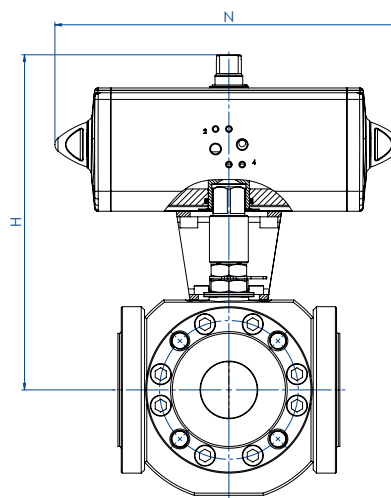
	MISURA SIZE		PN/ANSI	A105 Carbon steel	LF2 Carbon steel
	DN [mm]	[inch]			
PN	DN 15	1/2"	PN 16-40	V/LM604F00CAA0ABQNV00B	V/LM604F00CBA0AAQNV00B
	DN 20	3/4"	PN 16-40	V/LM605F00CAA0ABQNV00B	V/LM605F00CBA0AAQNV00B
	DN 25	1"	PN 16-40	V/LM606F00CAA0ABQNV00B	V/LM606F00CBA0AAQNV00B
	DN 32	1" 1/4	PN 16-40	V/LM607F00CAA0ABQNV00B	V/LM607F00CBA0AAQNV00B
	DN 40	1" 1/2	PN 16-40	V/LM608F00CAA0ABQNV00B	V/LM608F00CBA0AAQNV00B
	DN 50	2"	PN 16-40	V/LM609F00CAA0ABQNV00B	V/LM609F00CBA0AAQNV00B
	DN 65	2" 1/2	PN 16	V/LM610E00CAA0ABQNV00B	V/LM610E00CBA0AAQNV00B
	DN 80	3"	PN 16	V/LM611E00CAA0ABQNV00B	V/LM611E00CBA0AAQNV00B
	DN 100	4"	PN 16	V/LM612E00CAA0ABQNV00B	V/LM612E00CBA0AAQNV00B
ANSI	DN 15	1/2"	ANSI 150	V/LM604101CAA0ABQNV00B	V/LM604101CBA0AAQNV00B
	DN 20	3/4"	ANSI 150	V/LM605101CAA0ABQNV00B	V/LM605101CBA0AAQNV00B
	DN 25	1"	ANSI 150	V/LM606101CAA0ABQNV00B	V/LM606101CBA0AAQNV00B
	DN 32	1" 1/4	ANSI 150	V/LM607101CAA0ABQNV00B	V/LM607101CBA0AAQNV00B
	DN 40	1" 1/2	ANSI 150	V/LM608101CAA0ABQNV00B	V/LM608101CBA0AAQNV00B
	DN 50	2"	ANSI 150	V/LM609101CAA0ABQNV00B	V/LM609101CBA0AAQNV00B
	DN 65	2" 1/2	ANSI 150	V/LM610101CAA0ABQNV00B	V/LM610101CBA0AAQNV00B
	DN 80	3"	ANSI 150	V/LM611101CAA0ABQNV00B	V/LM611101CBA0AAQNV00B
	DN 100	4"	ANSI 150	V/LM612101CAA0ABQNV00B	V/LM612101CBA0AAQNV00B



MAGNUM SPLIT WAFER 3 WAY 4 SEALS - PN 16-40

ACCIAIO AL CARBONIO CARBON STEEL

CON ATTUATORE PNEUMATICO DA WITH DA PNEUMATIC ACTUATOR



CODICI ARTICOLI IN A105 ACCIAIO AL CARBONIO ITEM CODES IN A105 CARBON STEEL

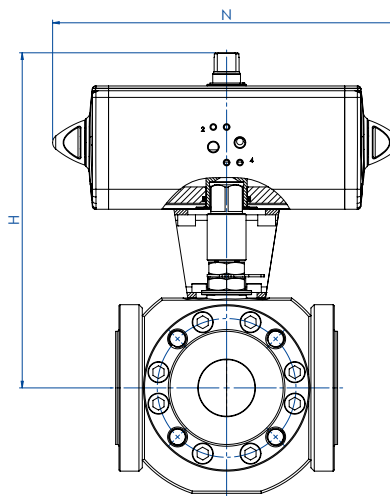
MISURA DN [mm]	SIZE [inch]	PN	CODICE ARTICOLO -SFERA A "L"- ITEM CODE -"L" BALL-	CODICE ARTICOLO -SFERA A "T"- ITEM CODE -"T" BALL-	ATTUATORE ACTUATOR	KIT di montaggio Mounting KIT	N [mm]	H [mm]	Kg
DN 15	1/2"	16-40	DM504F00CAA0ABQNV00BAFEA0	DM604F00CAA0ABQNV00BAFEA0	DAN0060412S	KCNACHD5378	198,0	180,4	8,9
DN 20	3/4"	16-40	DM505F00CAA0ABQNV00BAFGA0	DM605F00CAA0ABQNV00BAFGA0	DAN0106411S	KCNBCHD5265	237,0	211,3	13,8
DN 25	1"	16-40	DM506F00CAA0ABQNV00BAFGA0	DM606F00CAA0ABQNV00BAFGA0	DAN0106411S	KCNCCHD5317	237,0	220,3	18,5
DN 32	1" 1/4	16-40	DM507F00CAA0ABQNV00BAFHA0	DM607F00CAA0ABQNV00BAFHA0	DAN0120411S	KCNCCHD5317	244,1	227,0	24,2
DN 40	1" 1/2	16-40	DM508F00CAA0ABQNV00BAFIA0	DM608F00CAA0ABQNV00BAFIA0	DAN0180411S	KCNDDHD5319	289,9	269,5	31,8
DN 50	2"	16-40	DM509F00CAA0ABQNV00BAFKA0	DM609F00CAA0ABQNV00BAFKA0	DAN0360411S	KCNDDHD5319	339,3	155,0	40,0
DN 65	2" 1/2	16	DM510E00CAA0ABQNV00BAFKA0	DM610E00CAA0ABQNV00BAFKA0	DAN0360411S	KCNEEHD5379	339,3	321,0	55,9
DN 80	3"	16	DM511E00CAA0ABQNV00BAFLA0	DM611E00CAA0ABQNV00BAFLA0	DAN0480411S	KCNEFHD5322	387,6	305,9	70,1
DN 100	4"	16	DM512E00CAA0ABQNV00BAFNA0	DM612E00CAA0ABQNV00BAFNA0	DAN0960411S	KCNEFHD5380	479,3	402,0	129,6

CODICI ARTICOLI IN LF2 ACCIAIO AL CARBONIO ITEM CODES IN LF2 CARBON STEEL

MISURA DN [mm]	SIZE [inch]	PN	CODICE ARTICOLO -SFERA A "L"- ITEM CODE -"L" BALL-	CODICE ARTICOLO -SFERA A "T"- ITEM CODE -"T" BALL-	ATTUATORE ACTUATOR	KIT di montaggio Mounting KIT	N [mm]	H [mm]	Kg
DN 15	1/2"	16-40	DM504F00CBA0AAQNV00BAFEA0	DM604F00CBA0AAQNV00BAFEA0	DAN0060412S	KCNACHD5378	198,0	180,4	8,9
DN 20	3/4"	16-40	DM505F00CBA0AAQNV00BAFGA0	DM605F00CBA0AAQNV00BAFGA0	DAN0106411S	KCNBCHD5265	237,0	211,3	13,8
DN 25	1"	16-40	DM506F00CBA0AAQNV00BAFGA0	DM606F00CBA0AAQNV00BAFGA0	DAN0106411S	KCNCCHD5317	237,0	220,3	18,5
DN 32	1" 1/4	16-40	DM507F00CBA0AAQNV00BAFHA0	DM607F00CBA0AAQNV00BAFHA0	DAN0120411S	KCNCCHD5317	244,1	227,0	24,2
DN 40	1" 1/2	16-40	DM508F00CBA0AAQNV00BAFIA0	DM608F00CBA0AAQNV00BAFIA0	DAN0180411S	KCNDDHD5319	289,9	269,5	31,8
DN 50	2"	16-40	DM509F00CBA0AAQNV00BAFKA0	DM609F00CBA0AAQNV00BAFKA0	DAN0360411S	KCNDDHD5319	339,3	155,0	40,0
DN 65	2" 1/2	16	DM510E00CBA0AAQNV00BAFKA0	DM610E00CBA0AAQNV00BAFKA0	DAN0360411S	KCNEEHD5379	339,3	321,0	55,9
DN 80	3"	16	DM511E00CBA0AAQNV00BAFLA0	DM611E00CBA0AAQNV00BAFLA0	DAN0480411S	KCNEFHD5322	387,6	305,9	70,1
DN 100	4"	16	DM512E00CBA0AAQNV00BAFNA0	DM612E00CBA0AAQNV00BAFNA0	DAN0960411S	KCNEFHD5380	479,3	402,0	129,6



MAGNUM SPLIT WAFER 3 WAY 4 SEALS - ANSI 150
ACCIAIO AL CARBONIO CARBON STEEL
CON ATTUATORE PNEUMATICO DA WITH DA PNEUMATIC ACTUATOR



CODICI ARTICOLI IN A105 ACCIAIO AL CARBONIO ITEM CODES IN A105 CARBON STEEL

MISURA DN [mm]	SIZE [inch]	ANSI	CODICE ARTICOLO - SFERA A "L"- ITEM CODE - "L" BALL-	CODICE ARTICOLO - SFERA A "T"- ITEM CODE - "T" BALL-	ATTUATORE ACTUATOR	KIT di montaggio Mounting KIT	N [mm]	H [mm]	Kg
DN 15	1/2"	150	DM504101CAA0ABQNV00BAFEA0	DM604101CAA0ABQNV00BAFEA0	DAN0060412S	KCNACHD5378	198,0	180,4	8,9
DN 20	3/4"	150	DM505101CAA0ABQNV00BAFGA0	DM605101CAA0ABQNV00BAFGA0	DAN0106411S	KCNBCHD5265	237,0	211,3	13,7
DN 25	1"	150	DM506101CAA0ABQNV00BAFGA0	DM606101CAA0ABQNV00BAFGA0	DAN0106411S	KCNCCHD5317	237,0	220,3	18,5
DN 32	1" 1/4	150	DM507101CAA0ABQNV00BAFHA0	DM607101CAA0ABQNV00BAFHA0	DAN0120411S	KCNCCHD5317	244,1	227,0	24,7
DN 40	1" 1/2	150	DM508101CAA0ABQNV00BAFIA0	DM608101CAA0ABQNV00BAFIA0	DAN0180411S	KCNDDHD5319	289,9	269,5	32,1
DN 50	2"	150	DM509101CAA0ABQNV00BAFKA0	DM609101CAA0ABQNV00BAFKA0	DAN0360411S	KCNDDHD5319	339,3	155,0	40,2
DN 65	2" 1/2	150	DM510101CAA0ABQNV00BAFKA0	DM610101CAA0ABQNV00BAFKA0	DAN0360411S	KCNEEHD5379	339,3	321,0	54,9
DN 80	3"	150	DM511101CAA0ABQNV00BAFLA0	DM611101CAA0ABQNV00BAFLA0	DAN0480411S	KCNEFHD5322	387,6	305,9	70,7
DN 100	4"	150	DM512101CAA0ABQNV00BAFNA0	DM612101CAA0ABQNV00BAFNA0	DAN0960411S	KCNEFHD5380	479,3	402,0	129,6

CODICI ARTICOLI IN LF2 ACCIAIO AL CARBONIO ITEM CODES IN LF2 CARBON STEEL

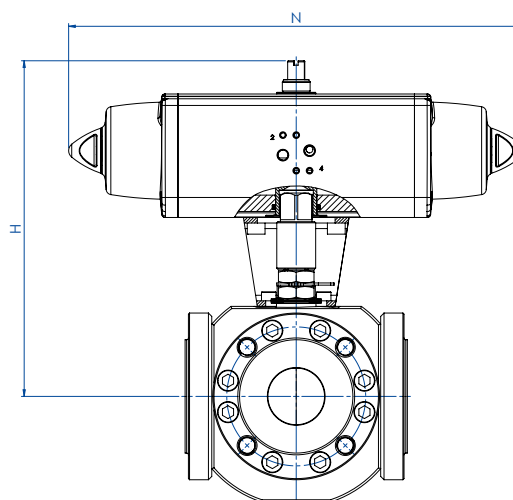
MISURA DN [mm]	SIZE [inch]	ANSI	CODICE ARTICOLO - SFERA A "L"- ITEM CODE - "L" BALL-	CODICE ARTICOLO - SFERA A "T"- ITEM CODE - "T" BALL-	ATTUATORE ACTUATOR	KIT di montaggio Mounting KIT	N [mm]	H [mm]	Kg
DN 15	1/2"	150	DM504101CBA0AAQNV00BAFEA0	DM604101CBA0AAQNV00BAFEA0	DAN0060412S	KCNACHD5378	198,0	180,4	8,9
DN 20	3/4"	150	DM505101CBA0AAQNV00BAFGA0	DM605101CBA0AAQNV00BAFGA0	DAN0106411S	KCNBCHD5265	237,0	211,3	13,7
DN 25	1"	150	DM506101CBA0AAQNV00BAFGA0	DM606101CBA0AAQNV00BAFGA0	DAN0106411S	KCNCCHD5317	237,0	220,3	18,5
DN 32	1" 1/4	150	DM507101CBA0AAQNV00BAFHA0	DM607101CBA0AAQNV00BAFHA0	DAN0120411S	KCNCCHD5317	244,1	227,0	24,7
DN 40	1" 1/2	150	DM508101CBA0AAQNV00BAFIA0	DM608101CBA0AAQNV00BAFIA0	DAN0180411S	KCNDDHD5319	289,9	269,5	32,1
DN 50	2"	150	DM509101CBA0AAQNV00BAFKA0	DM609101CBA0AAQNV00BAFKA0	DAN0360411S	KCNDDHD5319	339,3	155,0	40,2
DN 65	2" 1/2	150	DM510101CBA0AAQNV00BAFKA0	DM610101CBA0AAQNV00BAFKA0	DAN0360411S	KCNEEHD5379	339,3	321,0	54,9
DN 80	3"	150	DM511101CBA0AAQNV00BAFLA0	DM611101CBA0AAQNV00BAFLA0	DAN0480411S	KCNEFHD5322	387,6	305,9	70,7
DN 100	4"	150	DM512101CBA0AAQNV00BAFNA0	DM612101CBA0AAQNV00BAFNA0	DAN0960411S	KCNEFHD5380	479,3	402,0	129,6



MAGNUM SPLIT WAFER 3 WAY 4 SEALS - PN 16-40

ACCIAIO AL CARBONIO CARBON STEEL

CON ATTUATORE PNEUMATICO SR WITH SR PNEUMATIC ACTUATOR



CODICI ARTICOLI IN A105 ACCIAIO AL CARBONIO ITEM CODES IN A105 CARBON STEEL

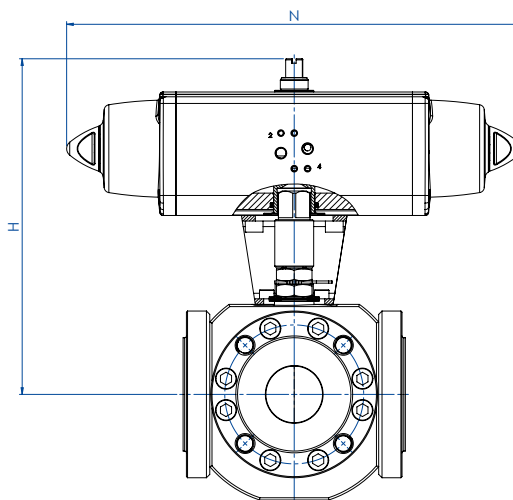
MISURA DN [mm]	SIZE [inch]	PN	CODICE ARTICOLO -SFERA A "L"- ITEM CODE -"L" BALL-	CODICE ARTICOLO -SFERA A "T"- ITEM CODE -"T" BALL-	ATTUATORE ACTUATOR	KIT di montaggio Mounting KIT	N [mm]	H [mm]	Kg
DN 15	1/2"	16-40	SM504F00CAA0ABQNV00BAFHA0	SM604F00CAA0ABQNV00BAFHA0	SRN0060401S	KCNACHD5381	338,5	197,0	10,7
DN 20	3/4"	16-40	SM505F00CAA0ABQNV00BAFIA0	SM605F00CAA0ABQNV00BAFIA0	SRN0090401S	KCNBDHD5382	393,7	245,5	17,4
DN 25	1"	16-40	SM506F00CAA0ABQNV00BAFIA0	SM606F00CAA0ABQNV00BAFIA0	SRN0090401S	KCNCDHD5329	393,7	254,5	22,2
DN 32	1" 1/4	16-40	SM507F00CAA0ABQNV00BAFJA0	SM607F00CAA0ABQNV00BAFJA0	SRN0120401S	KCNCDHD5329	409,6	261,1	28,7
DN 40	1" 1/2	16-40	SM508F00CAA0ABQNV00BAFKA0	SM608F00CAA0ABQNV00BAFKA0	SRN0180401S	KCNDDHD5383	474,0	280,0	36,1
DN 50	2"	16-40	SM509F00CAA0ABQNV00BAFMA0	SM609F00CAA0ABQNV00BAFMA0	SRN0360401S	KCNDEHD5330	613,0	339,0	50,7
DN 65	2" 1/2	16	SM510E00CAA0ABQNV00BAFMA0	SM610E00CAA0ABQNV00BAFMA0	SRN0360401S	KCNEFHD5322	613,0	351,0	66,7
DN 80	3"	16	SM511E00CAA0ABQNV00BAFNA0	SM611E00CAA0ABQNV00BAFNA0	SRN0480401S	KCNEFHD5392	648,2	339,0	83,7
DN 100	4"	16	SM512E00CAA0ABQNV00BAFRA0	SM612E00CAA0ABQNV00BAFRA0	SRN0960401S	KCNEGHD5384	828,0	441,7	155,2

CODICI ARTICOLI IN LF2 ACCIAIO AL CARBONIO ITEM CODES IN LF2 CARBON STEEL

MISURA DN [mm]	SIZE [inch]	PN	CODICE ARTICOLO -SFERA A "L"- ITEM CODE -"L" BALL-	CODICE ARTICOLO -SFERA A "T"- ITEM CODE -"T" BALL-	ATTUATORE ACTUATOR	KIT di montaggio Mounting KIT	N [mm]	H [mm]	Kg
DN 15	1/2"	16-40	SM504F00CBA0AAQNV00BAFHA0	SM604F00CBA0AAQNV00BAFHA0	SRN0060401S	KCNACHD5381	338,5	197,0	10,7
DN 20	3/4"	16-40	SM505F00CBA0AAQNV00BAFIA0	SM605F00CBA0AAQNV00BAFIA0	SRN0090401S	KCNBDHD5382	393,7	245,5	17,4
DN 25	1"	16-40	SM506F00CBA0AAQNV00BAFIA0	SM606F00CBA0AAQNV00BAFIA0	SRN0090401S	KCNCDHD5329	393,7	254,5	22,2
DN 32	1" 1/4	16-40	SM507F00CBA0AAQNV00BAFJA0	SM607F00CBA0AAQNV00BAFJA0	SRN0120401S	KCNCDHD5329	409,6	261,1	28,7
DN 40	1" 1/2	16-40	SM508F00CBA0AAQNV00BAFKA0	SM608F00CBA0AAQNV00BAFKA0	SRN0180401S	KCNDDHD5383	474,0	280,0	36,1
DN 50	2"	16-40	SM509F00CBA0AAQNV00BAFMA0	SM609F00CBA0AAQNV00BAFMA0	SRN0360401S	KCNDEHD5330	613,0	339,0	50,7
DN 65	2" 1/2	16	SM510E00CBA0AAQNV00BAFMA0	SM610E00CBA0AAQNV00BAFMA0	SRN0360401S	KCNEFHD5322	613,0	351,0	66,7
DN 80	3"	16	SM511E00CBA0AAQNV00BAFNA0	SM611E00CBA0AAQNV00BAFNA0	SRN0480401S	KCNEFHD5392	648,2	339,0	83,7
DN 100	4"	16	SM512E00CBA0AAQNV00BAFRA0	SM612E00CBA0AAQNV00BAFRA0	SRN0960401S	KCNEGHD5384	828,0	441,7	155,2



MAGNUM SPLIT WAFER 3 WAY 4 SEALS - ANSI 150
ACCIAIO AL CARBONIO CARBON STEEL
CON ATTUATORE PNEUMATICO SR WITH SR PNEUMATIC ACTUATOR



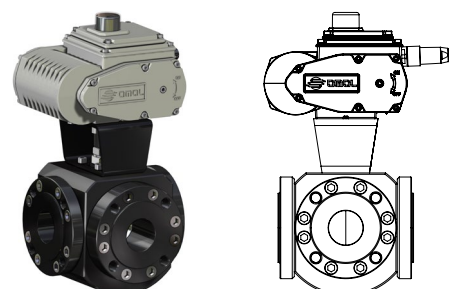
CODICI ARTICOLI IN A105 ACCIAIO AL CARBONIO ITEM CODES IN A105 CARBON STEEL

MISURA DN [mm]	SIZE [inch]	ANSI	CODICE ARTICOLO -SFERA A "L"- ITEM CODE -"L" BALL-	CODICE ARTICOLO -SFERA A "T"- ITEM CODE -"T" BALL-	ATTUATORE ACTUATOR	KIT di montaggio Mounting KIT	N [mm]	H [mm]	Kg
DN 15	1/2"	150	SM504101CAA0ABQNV00BAFHAA0	SM604101CAA0ABQNV00BAFHAA0	SRN0060401S	KCNACHD5381	338,5	197,0	10,7
DN 20	3/4"	150	SM505101CAA0ABQNV00BAFIA0	SM605101CAA0ABQNV00BAFIA0	SRN0090401S	KCNBDHD5382	393,7	245,5	17,3
DN 25	1"	150	SM506101CAA0ABQNV00BAFIA0	SM606101CAA0ABQNV00BAFIA0	SRN0090401S	KCNCDHD5329	393,7	254,5	22,2
DN 32	1" 1/4	150	SM507101CAA0ABQNV00BAFJA0	SM607101CAA0ABQNV00BAFJA0	SRN0120401S	KCNCDHD5329	409,6	261,1	29,2
DN 40	1" 1/2	150	SM508101CAA0ABQNV00BAFKA0	SM608101CAA0ABQNV00BAFKA0	SRN0180401S	KCNDDHD5383	474,0	280,0	36,4
DN 50	2"	150	SM509101CAA0ABQNV00BAFMA0	SM609101CAA0ABQNV00BAFMA0	SRN0360401S	KCNDEHD5330	613,0	339,0	50,9
DN 65	2" 1/2	150	SM510101CAA0ABQNV00BAFMA0	SM610101CAA0ABQNV00BAFMA0	SRN0360401S	KCNEFHD5322	613,0	351,0	65,7
DN 80	3"	150	SM511101CAA0ABQNV00BAFNA0	SM611101CAA0ABQNV00BAFNA0	SRN0480401S	KCNEFHD5392	648,2	339,0	84,3
DN 100	4"	150	SM512101CAA0ABQNV00BAFRA0	SM612101CAA0ABQNV00BAFRA0	SRN0960401S	KCNEGHD5384	828,0	441,7	155,2

CODICI ARTICOLI IN LF2 ACCIAIO AL CARBONIO ITEM CODES IN LF2 CARBON STEEL

MISURA DN [mm]	SIZE [inch]	ANSI	CODICE ARTICOLO -SFERA A "L"- ITEM CODE -"L" BALL-	CODICE ARTICOLO -SFERA A "T"- ITEM CODE -"T" BALL-	ATTUATORE ACTUATOR	KIT di montaggio Mounting KIT	N [mm]	H [mm]	Kg
DN 15	1/2"	150	SM504101CBA0AAQNV00BAFHAA0	SM604101CBA0AAQNV00BAFHAA0	SRN0060401S	KCNACHD5381	338,5	197,0	10,7
DN 20	3/4"	150	SM505101CBA0AAQNV00BAFIA0	SM605101CBA0AAQNV00BAFIA0	SRN0090401S	KCNBDHD5382	393,7	245,5	17,3
DN 25	1"	150	SM506101CBA0AAQNV00BAFIA0	SM606101CBA0AAQNV00BAFIA0	SRN0090401S	KCNCDHD5329	393,7	254,5	22,2
DN 32	1" 1/4	150	SM507101CBA0AAQNV00BAFJA0	SM607101CBA0AAQNV00BAFJA0	SRN0120401S	KCNCDHD5329	409,6	261,1	29,2
DN 40	1" 1/2	150	SM508101CBA0AAQNV00BAFKA0	SM608101CBA0AAQNV00BAFKA0	SRN0180401S	KCNDDHD5383	474,0	280,0	36,4
DN 50	2"	150	SM509101CBA0AAQNV00BAFMA0	SM609101CBA0AAQNV00BAFMA0	SRN0360401S	KCNDEHD5330	613,0	339,0	50,9
DN 65	2" 1/2	150	SM510101CBA0AAQNV00BAFMA0	SM610101CBA0AAQNV00BAFMA0	SRN0360401S	KCNEFHD5322	613,0	351,0	65,7
DN 80	3"	150	SM511101CBA0AAQNV00BAFNA0	SM611101CBA0AAQNV00BAFNA0	SRN0480401S	KCNEFHD5392	648,2	339,0	84,3
DN 100	4"	150	SM512101CBA0AAQNV00BAFRA0	SM612101CBA0AAQNV00BAFRA0	SRN0960401S	KCNEGHD5384	828,0	441,7	155,2

A richiesta, articoli disponibili anche con attuatore elettrico:
 On request, items available also with electric actuator:





MAGNUM SPLIT WAFER 3 WAY 4 SEALS

PN 16-40 ANSI 150

ACCIAIO INOX STAINLESS STEEL



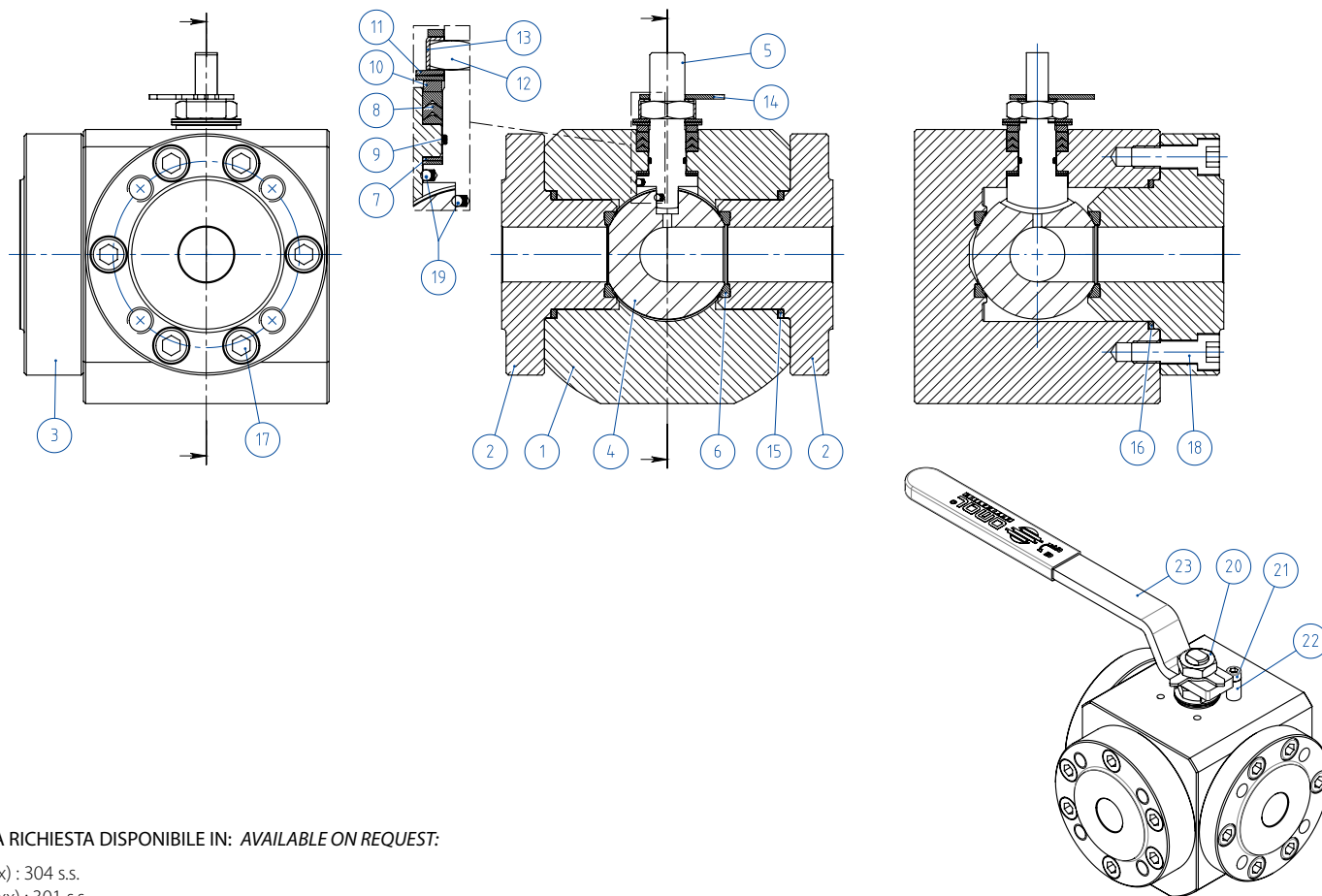
<p>ESECUZIONE STANDARD</p> <ul style="list-style-type: none"> • Sfera flottante, passaggio totale. • Tenuta soft seat PTFE Modificato. • Norme per flange d'attacco: EN1092-1, ASME B16.5. • Classi di pressione : ansi 150; PN16-40. • Classe di tenuta: EN12266-1 rate A. • Temperatura di utilizzo: -40°C +150°C. • Fluido intercettato: aria, acqua, gas, prodotti petroliferi e petrolchimici, fluidi aggressivi. • Antistatic device EN12266-2. • Tenuta stelo: pacco a V di serie in PTFE Modificato. • Tenuta addizionale su stelo con O-ring FKM. • Stelo anti Blow-out. • Foratura piano per attuatore a norma ISO 5211. 	<p>STANDARD FEATURES</p> <ul style="list-style-type: none"> • Floating ball, full bore. • Soft-seat seal Modified PTFE. • Standard for connecting flanges: EN1092-1, ASME B16.5. • Pressure Class : ansi 150; PN16-40. • Tightness Class: EN12266-1 rate A. • Working temperature: -40°C +150°C. • Intercepted fluid: air, water, gas, petroleum and petrochemical products, aggressive fluids. • Antistatic device EN12266-2. • Stem seal: Modified PTFE V-pack. • Additional seal on stem with FKM O-ring. • Anti Blow-out stem. • Actuator connection as per standard ISO 5211.
<p>ESECUZIONI A RICHIESTA</p> <ul style="list-style-type: none"> • Per altri tipi di flangiatura contattare il nostro ufficio commerciale. • Guarnizioni di tenuta in: PTFE caricato vetro (PTFE-GF), PTFE caricato carbografite (PTFE-CF). Per altri tipi di materiale contattare il nostro ufficio commerciale. • Leva inox. • Dadi e molle stelo inox. • Per esecuzioni con materiali (corpo/sfera/stelo) diversi dallo standard contattare il nostro ufficio commerciale. • Marcatura e certificato ATEX A RICHIESTA. 	<p>EXECUTION ON REQUEST</p> <ul style="list-style-type: none"> • For other flanges type please contact our sales department. • Sealing in: PTFE reinforced with glass (PTFE-GF), PTFE reinforced with carbon-graphite (PTFE-CF). For other types of materials please contact our sales department. • Stainless steel lever. • Stainless steel stem nuts and springs. • For versions with materials (body/ball/stem) different from the standard please contact our sales department. • ATEX marking and certificate ON REQUEST.
<p>CERTIFICAZIONI</p> <ul style="list-style-type: none"> • Conforme alla direttiva Europea 2014/68/EU PED; Fugitive Emission ISO 15848 (ISO FE BH-C03-SSA 0); Ta-Luft VDI: 2440. • Livello di sicurezza funzionale fino a SIL 3 in accordo a IEC 61508. • Conforme alla direttiva ATEX 2014/34/UE, certificato ATEX A RICHIESTA. 	<p>CERTIFICATIONS</p> <ul style="list-style-type: none"> • In compliance with European Directive 2014/68/EU PED; Fugitive Emission ISO 15848 (ISO FE BH-C03-SSA 0); Ta-Luft VDI: 2440. • Safety integrity level up to SIL 3 according to the IEC 61508. • In compliance with ATEX 2014/34/UE Directive, ATEX certificate ON REQUEST.
<p>NORME DI PROGETTAZIONE</p> <ul style="list-style-type: none"> • Spessori corpo in accordo a ASME B16.34, ASME VIII div.1, EN12516. • Materiali e rating in accordo ad ASME B16.34 per valvole ANSI ed EN12516 per valvole PN. 	<p>ENGINEERING STANDARD</p> <ul style="list-style-type: none"> • Body thickness in compliance with: ASME B16.34, ASME VIII div.1, EN12516. • Materials and rating in compliance with ASME B16.34 for ANSI valves and EN12516 for PN valves.



MAGNUM SPLIT WAFER 3 WAY 4 SEALS - PN 16-40 ANSI 150

ACCIAIO INOX *STAINLESS STEEL*

TABELLA DEI MATERIALI *MATERIALS TABLE*



A RICHIESTA DISPONIBILE IN: *AVAILABLE ON REQUEST:*

(x) : 304 s.s.

(xx) : 301 s.s.

MATERIALI <i>MATERIALS</i> - SPLIT WAFER PN16-40 ANSI 150		316 <i>Stainless steel</i>
N°	Descrizione <i>Description</i>	
1	Corpo <i>Body</i>	ASTM A182 F316 / A479TP316
2	Ghiera <i>Ring nut</i>	
3	Ghiera side entry <i>Side entry ring nut</i>	
4	Sfera <i>Ball</i>	ASTM A351 CF8M
5	Stelo <i>Stem</i>	A564 TP.630 (17-4PH)
6*	Seggio <i>Seat</i>	PTFE Modificato <i>Modified PTFE</i>
7*	Tenuta inferiore stelo <i>Stem lower sealing</i>	PTFE Modificato <i>Modified PTFE</i>
8*	Pacco a V <i>Chavron ring</i>	PTFE Modificato <i>Modified PTFE</i>
9*	O-ring stelo <i>Stem o-ring</i>	FKM
10	Anello premi guarnizione <i>Packing gland ring</i>	304 S.S.
11	Molle stelo <i>Stem springs</i>	Acciaio al carbonio zincato <i>Carbon steel galvanized (xx)</i>
12	Dado stelo <i>Stem nut</i>	Acciaio al carbonio zincato <i>Carbon steel galvanized (x)</i>
13	Piastra blocca dado <i>Stop nut plate</i>	304 S.S.
14	Indicatore <i>Indicator</i>	304 S.S.
15*	Guarnizione corpo ghiera <i>Body ring nut gasket</i>	GRAFOIL
16*	Guarnizione corpo ghiera side entry <i>Body side entry ring nut gasket</i>	GRAFOIL
17	Viti corpo ghiera <i>Body ring nut screw</i>	A2-70 (304 S.S.)
18	Viti corpo ghiera side entry <i>Body-side entering ring nut screw</i>	
19	Dispositivo antistatico <i>Antistatic device</i>	316 S.S.
20	Controdado <i>Lock nut</i>	Acciaio al carbonio zincato <i>Carbon steel galvanized (x)</i>
21	Vite di fermo <i>Holder screw</i>	A2-70 (304 S.S.)
22	Fermo di posizione <i>Holder screw</i>	Acciaio al carbonio zincato <i>Carbon steel galvanized (x)</i>
23	Leva <i>Lever</i>	Fe37 zincato - <i>galvanized (x)</i>

* Componenti del kit di guarnizioni *Components of seals kit*



MAGNUM SPLIT WAFER 3 WAY 4 SEALS - PN 16-40 ANSI 150

ACCIAIO INOX STAINLESS STEEL

ASSE LIBERO E CON LEVA - SFERA A "L" e "T" FREE SHAFT AND WITH LEVER - "L" and "T" BALL



CODICI VALVOLE IN ACCIAIO INOX ASSE LIBERO (V_) E CON LEVA (L_) -PN- STAINLESS STEEL BARE SHAFT (V_) AND LEVER (L_) OPERATED VALVE CODE -PN-

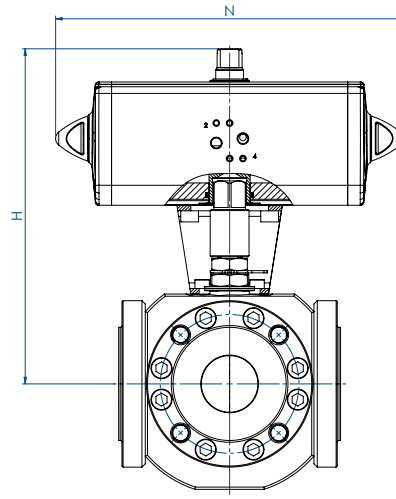
MISURA SIZE		PN	316 Stainless steel - "L" BALL	316 Stainless steel - "T" BALL
DN [mm]	[inch]			
DN 15	1/2"	PN 16-40	V/LM504F00ABA0AAQNV000	V/LM604F00ABA0AAQNV000
DN 20	3/4"	PN 16-40	V/LM505F00ABA0AAQNV000	V/LM605F00ABA0AAQNV000
DN 25	1"	PN 16-40	V/LM506F00ABA0AAQNV000	V/LM606F00ABA0AAQNV000
DN 32	1" 1/4	PN 16-40	V/LM507F00ABA0AAQNV000	V/LM607F00ABA0AAQNV000
DN 40	1" 1/2	PN 16-40	V/LM508F00ABA0AAQNV000	V/LM608F00ABA0AAQNV000
DN 50	2"	PN 16-40	V/LM509F00ABA0AAQNV000	V/LM609F00ABA0AAQNV000
DN 65	2" 1/2	PN 16	V/LM510E00ABA0AAQNV000	V/LM610E00ABA0AAQNV000
DN 80	3"	PN 16	V/LM511E00ABA0AAQNV000	V/LM611E00ABA0AAQNV000
DN 100	4"	PN 16	V/LM512E00ABA0AAQNV000	V/LM612E00ABA0AAQNV000

CODICI VALVOLE IN ACCIAIO INOX ASSE LIBERO (V_) E CON LEVA (L_) -ANSI- STAINLESS STEEL BARE SHAFT (V_) AND LEVER (L_) OPERATED VALVE CODE -ANSI-

MISURA SIZE		ANSI	316 Stainless steel - "L" BALL	316 Stainless steel - "T" BALL
DN [mm]	[inch]			
DN 15	1/2"	ANSI 150	V/LM504101ABA0AAQNV000	V/LM604101ABA0AAQNV000
DN 20	3/4"	ANSI 150	V/LM505101ABA0AAQNV000	V/LM605101ABA0AAQNV000
DN 25	1"	ANSI 150	V/LM506101ABA0AAQNV000	V/LM606101ABA0AAQNV000
DN 32	1" 1/4	ANSI 150	V/LM507101ABA0AAQNV000	V/LM607101ABA0AAQNV000
DN 40	1" 1/2	ANSI 150	V/LM508101ABA0AAQNV000	V/LM608101ABA0AAQNV000
DN 50	2"	ANSI 150	V/LM509101ABA0AAQNV000	V/LM609101ABA0AAQNV000
DN 65	2" 1/2	ANSI 150	V/LM510101ABA0AAQNV000	V/LM610101ABA0AAQNV000
DN 80	3"	ANSI 150	V/LM511101ABA0AAQNV000	V/LM611101ABA0AAQNV000
DN 100	4"	ANSI 150	V/LM512101ABA0AAQNV000	V/LM612101ABA0AAQNV000



MAGNUM SPLIT WAFER 3 WAY 4 SEALS - PN 16-40 ANSI 150
ACCIAIO INOX STAINLESS STEEL
CON ATTUATORE PNEUMATICO DA WITH DA PNEUMATIC ACTUATOR



CODICI ARTICOLI IN 316 ACCIAIO INOX ITEM CODES IN 316 STAINLESS STEEL -PN-

MISURA DN [mm]	SIZE [inch]	PN	CODICE ARTICOLO -SFERA A "L"- ITEM CODE -"L" BALL-	CODICE ARTICOLO -SFERA A "T"- ITEM CODE -"T" BALL-	ATTUATORE ACTUATOR	KIT di montaggio Mounting KIT	N [mm]	H [mm]	Kg
DN 15	1/2"	16-40	DM504F00ABA0AAQNV000AFEAO	DM604F00ABA0AAQNV000AFEAO	DAN0060412S	KCNACHD5378	198,0	180,4	8,9
DN 20	3/4"	16-40	DM505F00ABA0AAQNV000AFGAO	DM605F00ABA0AAQNV000AFGAO	DAN0106411S	KCNBCHD5265	237,0	211,3	13,8
DN 25	1"	16-40	DM506F00ABA0AAQNV000AFGAO	DM606F00ABA0AAQNV000AFGAO	DAN0106411S	KCNCCHD5317	237,0	220,3	18,5
DN 32	1" 1/4	16-40	DM507F00ABA0AAQNV000AFHAO	DM607F00ABA0AAQNV000AFHAO	DAN0120411S	KCNCCHD5317	244,1	227,0	24,2
DN 40	1" 1/2	16-40	DM508F00ABA0AAQNV000AFIAO	DM608F00ABA0AAQNV000AFIAO	DAN0180411S	KCNDDHD5319	289,9	269,5	31,8
DN 50	2"	16-40	DM509F00ABA0AAQNV000AFKAO	DM609F00ABA0AAQNV000AFKAO	DAN0360411S	KCNDDHD5319	339,3	155,0	40,0
DN 65	2" 1/2	16	DM510E00ABA0AAQNV000AFKAO	DM610E00ABA0AAQNV000AFKAO	DAN0360411S	KCNEEHD5379	339,3	321,0	55,9
DN 80	3"	16	DM511E00ABA0AAQNV000AFLAO	DM611E00ABA0AAQNV000AFLAO	DAN0480411S	KCNEFHD5322	387,6	305,9	70,1
DN 100	4"	16	DM512E00ABA0AAQNV000AFNAO	DM612E00ABA0AAQNV000AFNAO	DAN0960411S	KCNEFHD5380	479,3	402,0	129,6

CODICI ARTICOLI IN 316 ACCIAIO INOX ITEM CODES IN 316 STAINLESS STEEL -ANSI-

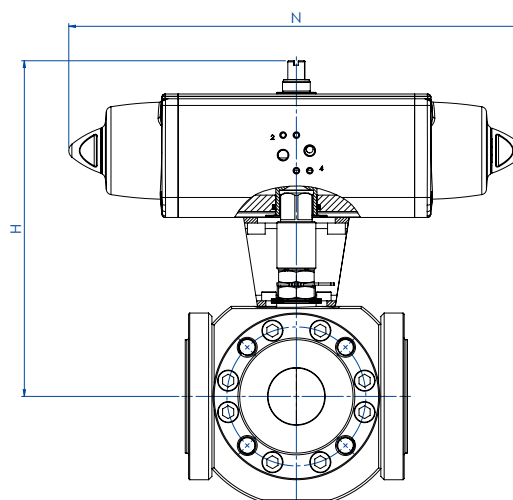
MISURA DN [mm]	SIZE [inch]	ANSI	CODICE ARTICOLO -SFERA A "L"- ITEM CODE -"L" BALL-	CODICE ARTICOLO -SFERA A "T"- ITEM CODE -"T" BALL-	ATTUATORE ACTUATOR	KIT di montaggio Mounting KIT	N [mm]	H [mm]	Kg
DN 15	1/2"	150	DM504101ABA0AAQNV000AFEAO	DM604101ABA0AAQNV000AFEAO	DAN0060412S	KCNACHD5378	198,0	180,4	8,9
DN 20	3/4"	150	DM505101ABA0AAQNV000AFGAO	DM605101ABA0AAQNV000AFGAO	DAN0106411S	KCNBCHD5265	237,0	211,3	13,7
DN 25	1"	150	DM506101ABA0AAQNV000AFGAO	DM606101ABA0AAQNV000AFGAO	DAN0106411S	KCNCCHD5317	237,0	220,3	18,5
DN 32	1" 1/4	150	DM507101ABA0AAQNV000AFHAO	DM607101ABA0AAQNV000AFHAO	DAN0120411S	KCNCCHD5317	244,1	227,0	24,7
DN 40	1" 1/2	150	DM508101ABA0AAQNV000AFIAO	DM608101ABA0AAQNV000AFIAO	DAN0180411S	KCNDDHD5319	289,9	269,5	32,1
DN 50	2"	150	DM509101ABA0AAQNV000AFKAO	DM609101ABA0AAQNV000AFKAO	DAN0360411S	KCNDDHD5319	339,3	155,0	40,2
DN 65	2" 1/2	150	DM510101ABA0AAQNV000AFKAO	DM610101ABA0AAQNV000AFKAO	DAN0360411S	KCNEEHD5379	339,3	321,0	54,9
DN 80	3"	150	DM511101ABA0AAQNV000AFLAO	DM611101ABA0AAQNV000AFLAO	DAN0480411S	KCNEFHD5322	387,6	305,9	70,7
DN 100	4"	150	DM512101ABA0AAQNV000AFNAO	DM612101ABA0AAQNV000AFNAO	DAN0960411S	KCNEFHD5380	479,3	402,0	129,6



MAGNUM SPLIT WAFER 3 WAY 4 SEALS - PN 16-40 ANSI 150

ACCIAIO INOX *STAINLESS STEEL*

CON ATTUATORE PNEUMATICO SR *WITH SR PNEUMATIC ACTUATOR*



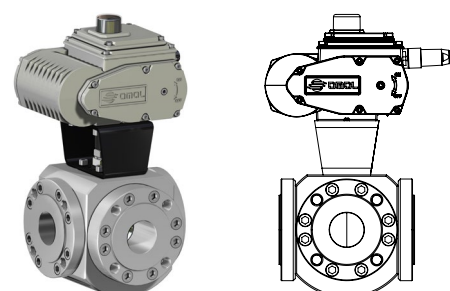
CODICI ARTICOLI IN 316 ACCIAIO INOX *ITEM CODES IN 316 STAINLESS STEEL -PN-*

MISURA	SIZE	PN	CODICE ARTICOLO -SFERA A "L"- ITEM CODE -"L" BALL-	CODICE ARTICOLO -SFERA A "T"- ITEM CODE -"T" BALL-	ATTUATORE ACTUATOR	KIT di montaggio Mounting KIT	N [mm]	H [mm]	Kg
DN [mm]	[inch]								
DN 15	1/2"	16-40	SM504F00ABA0AAQNV000AFHA0	SM604F00ABA0AAQNV000AFHA0	SRN0060401S	KCNACHD5381	338,5	197,0	10,7
DN 20	3/4"	16-40	SM505F00ABA0AAQNV000AFIA0	SM605F00ABA0AAQNV000AFIA0	SRN0090401S	KCNBDHD5382	393,7	245,5	17,4
DN 25	1"	16-40	SM506F00ABA0AAQNV000AFIA0	SM606F00ABA0AAQNV000AFIA0	SRN0090401S	KCNCDHD5329	393,7	254,5	22,2
DN 32	1" 1/4	16-40	SM507F00ABA0AAQNV000AFJA0	SM607F00ABA0AAQNV000AFJA0	SRN0120401S	KCNCDHD5329	409,6	261,1	28,7
DN 40	1" 1/2	16-40	SM508F00ABA0AAQNV000AFKA0	SM608F00ABA0AAQNV000AFKA0	SRN0180401S	KCNDDHD5383	474,0	280,0	36,1
DN 50	2"	16-40	SM509F00ABA0AAQNV000AFMA0	SM609F00ABA0AAQNV000AFMA0	SRN0360401S	KCNDEHD5330	613,0	339,0	50,7
DN 65	2" 1/2	16	SM510E00ABA0AAQNV000AFMA0	SM610E00ABA0AAQNV000AFMA0	SRN0360401S	KCNEFHD5322	613,0	351,0	66,7
DN 80	3"	16	SM511E00ABA0AAQNV000AFNA0	SM611E00ABA0AAQNV000AFNA0	SRN0480401S	KCNEFHD5392	648,2	339,0	83,7
DN 100	4"	16	SM512E00ABA0AAQNV000AFRA0	SM612E00ABA0AAQNV000AFRA0	SRN0960401S	KCNEGHD5384	828,0	441,7	155,2

CODICI ARTICOLI IN 316 ACCIAIO INOX *ITEM CODES IN 316 STAINLESS STEEL -ANSI-*

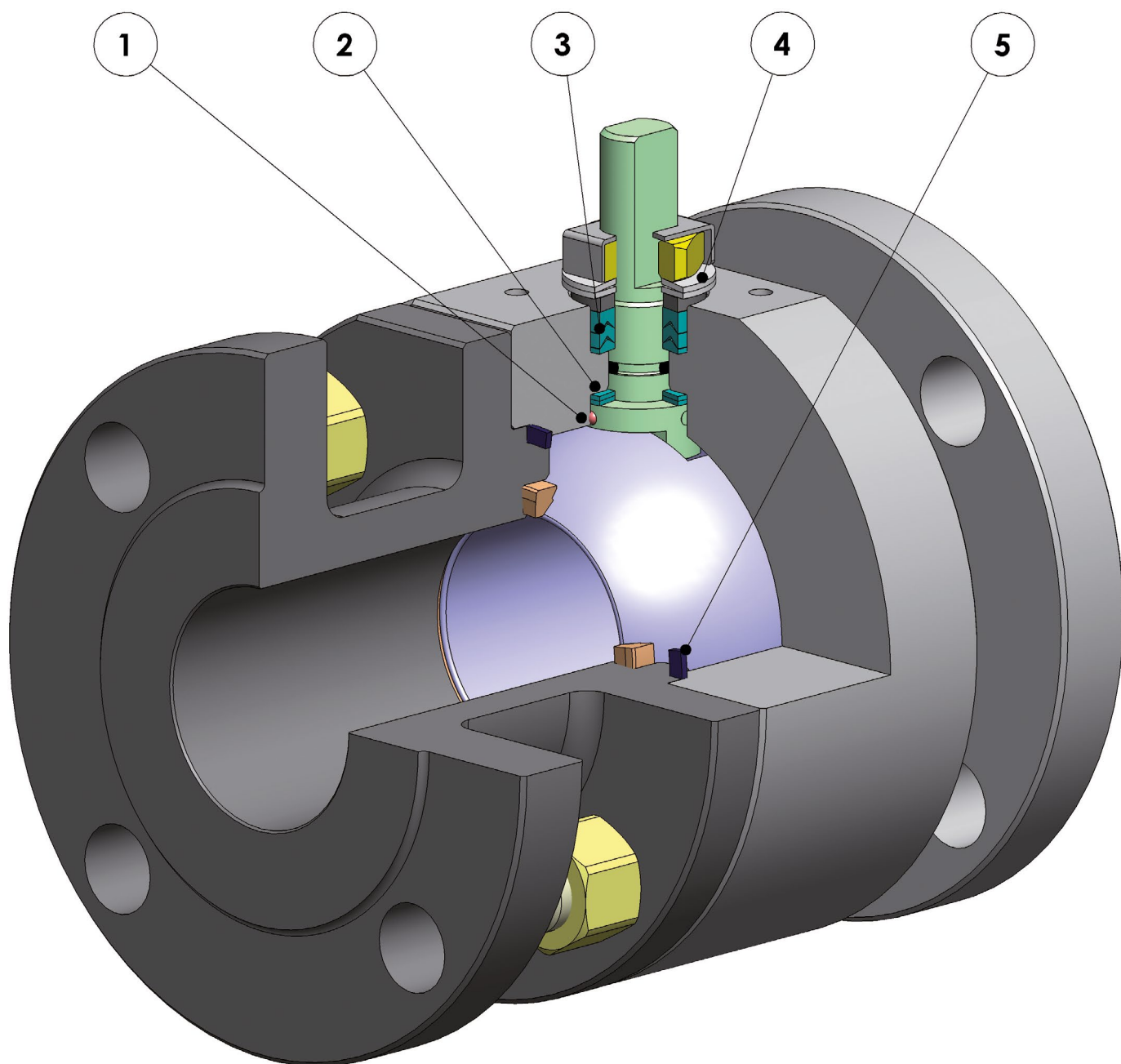
MISURA	SIZE	ANSI	CODICE ARTICOLO -SFERA A "L"- ITEM CODE -"L" BALL-	CODICE ARTICOLO -SFERA A "T"- ITEM CODE -"T" BALL-	ATTUATORE ACTUATOR	KIT di montaggio Mounting KIT	N [mm]	H [mm]	Kg
DN [mm]	[inch]								
DN 15	1/2"	150	SM504101ABA0AAQNV000AFHA0	SM604101ABA0AAQNV000AFHA0	SRN0060401S	KCNACHD5381	338,5	197,0	10,7
DN 20	3/4"	150	SM505101ABA0AAQNV000AFIA0	SM605101ABA0AAQNV000AFIA0	SRN0090401S	KCNBDHD5382	393,7	245,5	17,3
DN 25	1"	150	SM506101ABA0AAQNV000AFIA0	SM606101ABA0AAQNV000AFIA0	SRN0090401S	KCNCDHD5329	393,7	254,5	22,2
DN 32	1" 1/4	150	SM507101ABA0AAQNV000AFJA0	SM607101ABA0AAQNV000AFJA0	SRN0120401S	KCNCDHD5329	409,6	261,1	29,2
DN 40	1" 1/2	150	SM508101ABA0AAQNV000AFKA0	SM608101ABA0AAQNV000AFKA0	SRN0180401S	KCNDDHD5383	474,0	280,0	36,4
DN 50	2"	150	SM509101ABA0AAQNV000AFMA0	SM609101ABA0AAQNV000AFMA0	SRN0360401S	KCNDEHD5330	613,0	339,0	50,9
DN 65	2" 1/2	150	SM510101ABA0AAQNV000AFMA0	SM610101ABA0AAQNV000AFMA0	SRN0360401S	KCNEFHD5322	613,0	351,0	65,7
DN 80	3"	150	SM511101ABA0AAQNV000AFNA0	SM611101ABA0AAQNV000AFNA0	SRN0480401S	KCNEFHD5392	648,2	339,0	84,3
DN 100	4"	150	SM512101ABA0AAQNV000AFRA0	SM612101ABA0AAQNV000AFRA0	SRN0960401S	KCNEGHD5384	828,0	441,7	155,2

A richiesta, articoli disponibili anche con attuatore elettrico.
On request, items available also with electric actuator:





THOR SPLIT BODY



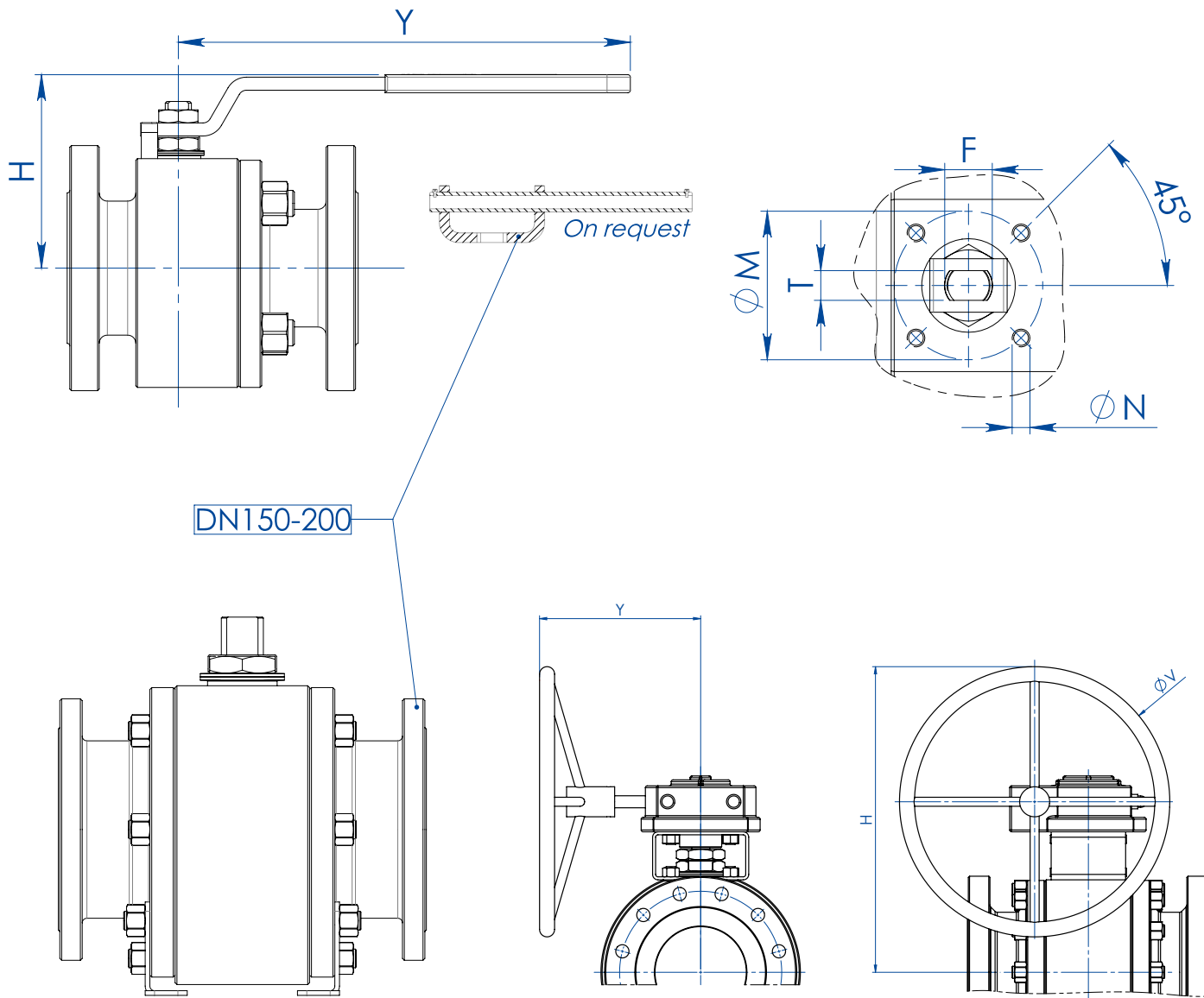


FEATURES & BENEFITS

1	<p>Antistatic device (continuità elettrica tra sfera, stelo e corpo).</p> <p><i>Antistatic device (electrical continuity between ball, stem and body).</i></p>	<p>Si evitano cariche elettrostatiche che potrebbero essere causa d'innescio in ambienti infiammabili e/o esplosivi.</p> <p><i>Static electricity is avoided which can cause sparks and fire in an inflammable/explosive environment.</i></p>
		<p>Sicurezza garantita del contatto durante tutta la vita della valvola.</p> <p><i>Contact safety throughout the entire life of the valve.</i></p>
2	<p>Doppio anello antifrizione.</p> <p><i>Double antifriction washer.</i></p>	<p>Garantisce una minor coppia di azionamento della valvola.</p> <p><i>Less Breakaway Torque is granted.</i></p>
		<p>Minor usura rispetto all'esecuzione con singolo anello.</p> <p><i>Less wear comparing with the execution with the single washer.</i></p>
3	<p>Pacco guarnizioni a "v" con 3 guarnizioni più o-ring.</p> <p><i>"V" seals pack; 3 seals + o-ring.</i></p>	<p>Si garantisce una perfetta tenuta anche dopo un numero elevato di cicli.</p> <p><i>It ensures a perfect tightness even after a high number of cycles.</i></p>
4	<p>Molle a tazza sulla tenuta dello stelo.</p> <p><i>Spring washer on the shaft seal.</i></p>	<p>Garantiscono il recupero dei giochi dovuti all'usura causata dal movimento semiorbitario dell'albero evitando perdite verso l'esterno.</p> <p><i>Guarantee of the recovery of the gap due to the wear caused by the rotational movement of the shaft avoiding leakage towards the outside part.</i></p>
		<p>Consentono di mantenere energizzate le guarnizioni tipo "chevron" (a V), evitando perdite verso l'esterno, a fronte di notevoli escursioni termiche.</p> <p><i>Allow to maintain energized the "chevron" seals (V), thus avoiding any leakage to the outside, against huge temperature excursions.</i></p>
5	<p>Tenuta elasticizzata in grafite.</p> <p><i>Stretch Graphite seal.</i></p>	<p>Garantisce una tenuta verso l'esterno indipendentemente dalle escursioni termiche a cui è sottoposta la valvola.</p> <p><i>Tightness towards outside is granted, independently by the thermal excursions to which the valve is subjected.</i></p>
	<p>Maggiore precisione nell'allineamento degli assi grazie alla lavorazione dal grezzo al finito con un unico posizionamento.</p> <p><i>Greater precision in the alignment of axes due to a unique positioning in the process machining from raw material to finished valve.</i></p>	<p>Maggior vita della valvola stessa.</p> <p><i>Longer lifetime of the valve.</i></p>
		<p>Minor coppia di azionamento.</p> <p><i>Less breakaway torque.</i></p>
	<p>Facile manutenibilità direttamente sull'impianto.</p> <p><i>Easy maintainance directly on site.</i></p>	<p>Contenimento dei costi durante la fase di manutenzione.</p> <p><i>Reduced maintainance costs.</i></p>
	<p>Corpo valvola in acciaio al carbonio realizzato con materiale normalizzato certificato NACE in esecuzione standard.</p> <p><i>Valve body in carbon steel made with NACE certified material as standard.</i></p>	<p>Garantisce una maggior resistenza alla corrosione.</p> <p><i>Greater corrosion resistance.</i></p>
		<p>Maggior duttilità del materiale.</p> <p><i>Greater ductility of the material.</i></p>
	<p>Processo produttivo interamente eseguito in OMAL.</p> <p><i>100% in-house manufacturing process technology.</i></p>	<p>Massimo controllo in tutte le fasi di lavorazione.</p> <p><i>Maximum control and accuracy in all the stages of the manufacturing process.</i></p>
		<p>Possibilità di fornire rapidamente esecuzioni speciali richieste dal cliente.</p> <p><i>Flexibility in supply quickly special executions requested by customers.</i></p>
	<p>Certificato "Fire Safe".</p> <p><i>"Fire safe" Certificate.</i></p>	<p>Garantisce la tenuta della valvola anche in caso di incendio.</p> <p><i>Guarantees the tightness of the valve also in case of fire.</i></p>
	<p>Certificato ATEX.</p> <p><i>ATEX Certificate.</i></p>	<p>Ne consente l'installazione in presenza di ambiente potenzialmente esplosivo.</p> <p><i>Installation is possible in a potential explosive environment.</i></p>
	<p>Certificazione "TA LUFT fugitive emission".</p> <p><i>TA LUFT fugitive emission Certificate.</i></p>	<p>Garantisce un elevato grado di sicurezza della tenuta stelo verso l'esterno.</p> <p><i>High level of safety of the tightness towards the outside is granted.</i></p>
	<p>Certificato PED.</p> <p><i>PED Certificate.</i></p>	<p>Piena conformità alle norme di sicurezza europee per i dispositivi in pressione.</p> <p><i>Full compliance with European Safety Standards for Pressure Equipment.</i></p>
	<p>Certificato fino a SIL 3.</p> <p><i>UP to SIL 3 certified.</i></p>	<p>Elevato livello di sicurezza funzionale.</p> <p><i>Guarantee of the high level of functional safety.</i></p>



THOR SPLIT BODY PN 16-40 ANSI 150-300

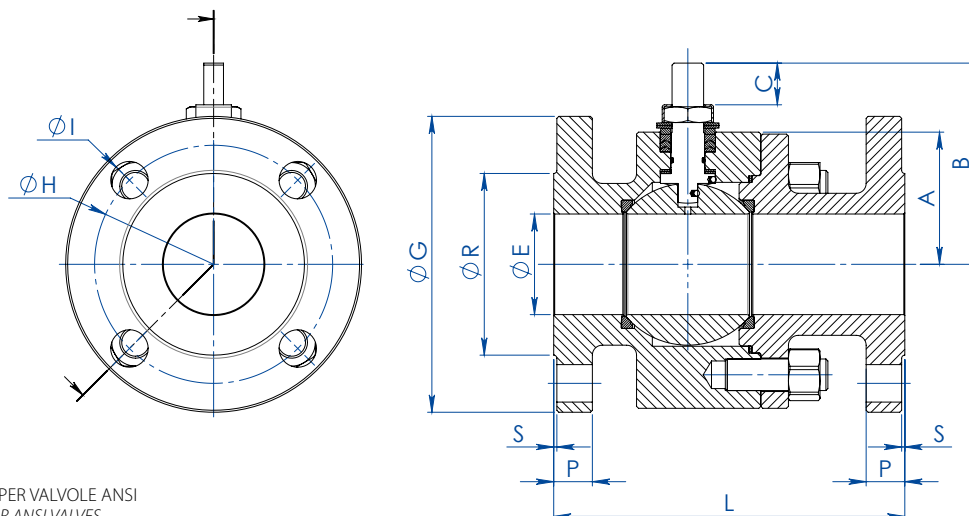


MISURA SIZE		DIMENSIONI DIMENSIONS							
DN [mm]	[inch]	H	Y	ØV	ØM	ØN	F/T	ATT. ISO	KIT LEVA LEVER KIT
DN 15	1/2"	71	140	---	36	M5	10/6	F03	KLV58004
DN 20	3/4"	73	140	---	36	M5	10/6	F03	KLV58004
DN 25	1"	87	150	---	42	M5	12/8	F04	KLV58006
DN 32	1" 1/4	91	150	---	42	M5	12/8	F04	KLV58006
DN 40	1" 1/2	108	275	---	50	M6	16/10	F05	KLV58008
DN 50	2"	118	275	---	50	M6	16/10	F05	KLV58008
DN 65	2" 1/2	143	350	---	70	M8	22/14	F07	KLV58010
DN 80	3"	150	350	---	70	M8	22/14	F07	KLV58010
DN 100	4"	198	450	---	102	M10	30/18	F10	KLV58012
DN 125	5"	208	450	---	102	M10	30/18	F10	KLV58012
DN 150 PN16 - ANSI150 (*)	6"	522	326	400	140	M16	45/30	F14	---
DN 150 PN25-40 - ANSI300	6"	522	347,5	600	140	M16	45/30	F14	---
DN 200 PN16-PN25-ANSI150 (*)	8"	516	347	500	140	M16	52/35	F14	---
DN 200 PN40	8"	614	348	500	140	M16	52/35	F14	---

Versione STANDARD con riduttore manuale per DN150 e DN200. STANDARD version with manual gearbox for DN150 and DN200.
 (*) A RICHIESTA versione con leva. ON REQUEST version with manual lever.



THOR SPLIT BODY PN 16-40 ANSI 150-300



CERTIFICATO API 6D SOLO PER VALVOLE ANSI
API 6D CERTIFICATE ONLY FOR ANSI VALVES

MISURA SIZE		DIMENSIONI DIMENSIONS -PN-														
DN [mm]	[inch]	ØE	PN	A	B	C	ØG	ØR	S	P	ØH	N° FORI HOLES N°	ØI	Kg	L	KIT GUARNIZIONI SEALS KIT
DN 15	1/2"	13	PN 16-40	32	52	10	95	45	2	16	65	4	14	3,0	115 (1)	KGBV485040
DN 20	3/4"	19	PN 16-40	35	55	10	105	58	2	18	75	4	14	3,8	120 (1)	KGBV485050
DN 25	1"	25	PN 16-40	42	68	15	115	68	2	18	85	4	14	5,2	125 (1)	KGBV485060
DN 32	1 1/4"	32	PN 16-40	47	73	15	140	78	2	18	100	4	18	7,6	130 (1)	KGBV485070
DN 40	1 1/2"	38	PN 16-40	58	93	21	150	88	3	18	110	4	18	10	140 (1)	KGBV485080
DN 50	2"	51	PN 16-40	67	102	21	165	102	3	20	125	4	18	14,3	150 (1)	KGBV485090
DN 65	2 1/2"	64	PN 16	83	130,5	28,4	185	122	3	18	145	4	18	20,2	170 (1)	KGBV485100
DN 65	2 1/2"	64	PN 25-40	83	130,5	28,4	185	122	3	22	145	8	18	28,2	270 (2)	KGBV485100
DN 80	3"	76	PN 16-40	90	137,5	28,4	200	138	3	24	160	8	18	25,4	180 (1)	KGBV485110
DN 100	4"	102	PN 16	111	172	35	220	158	3	20	180	8	18	38	190 (1)	KGBV485120
DN 100	4"	102	PN 25-40	111	172	35	235	162	3	24	190	8	22	57,8	300 (2)	KGBV485120
DN 125	5"	118	PN 16	117	182	35	250	188	3	22	210	8	18	68	325 (2)	KGBV485130
DN 150(*)	6"	152	PN 16	154	227,5	40,5	285	212	3	23	240	8	22	121	350 (2)	KGBV485140
DN 150	6"	152	PN 25-40	154	227,5	40,5	300	218	3	28	250	8	26	125	350	KGBV48514D
DN 200(*)	8"	203	PN 16	188	274	44,8	340	268	3	24	295	12	22	198	400 (2)	KGBV485150
DN 200(*)	8"	203	PN 25	188	274	44,8	360	310	3	30	310	12	26	220	457	KGBV485150
DN 200	8"	203	PN 40	195	274	44,8	375	285	3	34	320	12	30	250	502	KGBV48515D

MISURA SIZE		DIMENSIONI DIMENSIONS -ANSI-														
DN [mm]	[inch]	ØE	ANSI	A	B	C	ØG	ØR	S	P	ØH	N° FORI HOLES N°	ØI	Kg	L	KIT GUARNIZIONI SEALS KIT
DN 15	1/2"	13	ANSI 150	32	52	10	90	35,1	1,6	11,4	60,5	4	16	3,0	108 (3)	KGBV485040
DN 15	1/2"	13	ANSI 300	32	52	10	95	35,1	1,6	14,5	66,5	4	16	2,7	140 (3)	KGBV485040
DN 20	3/4"	19	ANSI 150	35	55	10	100	42,9	1,6	13	69,8	4	16	3,1	117(3)	KGBV485050
DN 20	3/4"	19	ANSI 300	35	55	10	118	42,9	1,6	16,6	82,6	4	19	4,2	152(3)	KGBV485050
DN 25	1"	25	ANSI 150	42	68	15	110	50,8	1,6	14,5	79,2	4	16	4,5	127 (3)	KGBV485060
DN 25	1"	25	ANSI 300	42	68	15	125	50,8	1,6	18	88,9	4	19	5,9	165 (3)	KGBV485060
DN 32	1 1/4"	32	ANSI 150	47	73	15	118	63,5	1,6	16,1	88,9	4	16	6,2	140 (3)	KGBV485070
DN 32	1 1/4"	32	ANSI 300	47	73	15	135	63,5	1,6	19,5	98,6	4	19	8,7	178 (3)	KGBV485070
DN 40	1 1/2"	38	ANSI 150	58	93	21	128	73	1,6	18	98,6	4	16	9,4	165 (3)	KGBV485080
DN 40	1 1/2"	38	ANSI 300	58	93	21	155	73	1,6	21	114,3	4	22	12	190 (3)	KGBV485080
DN 50	2"	51	ANSI 150	67	102	21	153	91,9	1,6	19,6	120,6	4	19	13,3	178 (4)	KGBV485090
DN 50	2"	51	ANSI 300	67	102	21	165	91,9	1,6	22,6	127,0	8	19	16,5	216 (4)	KGBV485090
DN 65	2 1/2"	64	ANSI 150	83	130,5	28,4	180	104,6	1,6	22,6	139,7	4	19	23,1	191 (4)	KGBV485100
DN 65	2 1/2"	64	ANSI 300	83	130,5	28,4	190	104,6	1,6	26,1	149,4	8	22	27,3	241 (4)	KGBV485100
DN 80	3"	76	ANSI 150	90	137,5	28,4	190	127	1,6	24	152,4	4	19	27	203 (4)	KGBV485110
DN 80	3"	76	ANSI 300	96	137,5	28,4	210	127	1,6	29	168,1	8	22	38,1	282 (4)	KGBV485110
DN 100	4"	102	ANSI 150	111	172	35	230	157,2	1,6	24,6	190,5	8	19	46	229 (4)	KGBV485120
DN 100	4"	102	ANSI 300	111	172	35	255	157,2	1,6	32,6	200,2	8	22	67,7	305 (4)	KGBV485120
DN 125	5"	118	ANSI 150	117	182	35	255	185,7	1,6	24,5	215,9	8	22	62	254 (3)	KGBV485130
DN 125	5"	118	ANSI 300	125	182	35	280	185,7	1,6	36,6	235	8	22	94	381 (3)	KGBV485130
DN 150(*)	6"	152	ANSI 150	154	227,5	40,5	280	215,9	1,6	25,6	241,3	8	22	126	394 (4)	KGBV485140
DN 150	6"	152	ANSI 300	154	227,5	40,5	320	215,9	1,6	37,6	269,7	12	22	147	403	KGBV48514D
DN 200(*)	8"	203	ANSI 150	188	274	44,8	345	269,7	1,6	29,5	298,4	8	22	210	457 (4)	KGBV485150

Versione STANDARD con riduttore manuale per DN150 e DN200. STANDARD version with manual gearbox for DN150 and DN200.
(*) A RICHIESTA versione con leva. ON REQUEST version with manual lever.

(1) EN558 TAB. 2 COL. 14 / DIN 3202-1 F4 (2) EN558 TAB. 2 COL. 15 / DIN 3202-1 F5 (3) ANSI B16.10 (4) B16.10 / API6D



THOR SPLIT BODY PN 16-40 ANSI 150-300

DIAGRAMMA PRESSIONE/TEMPERATURA PER VALVOLE CON CORPO IN ACCIAIO AL CARBONIO TEMPERATURE/PRESSURE DIAGRAM FOR CARBON STEEL VALVE

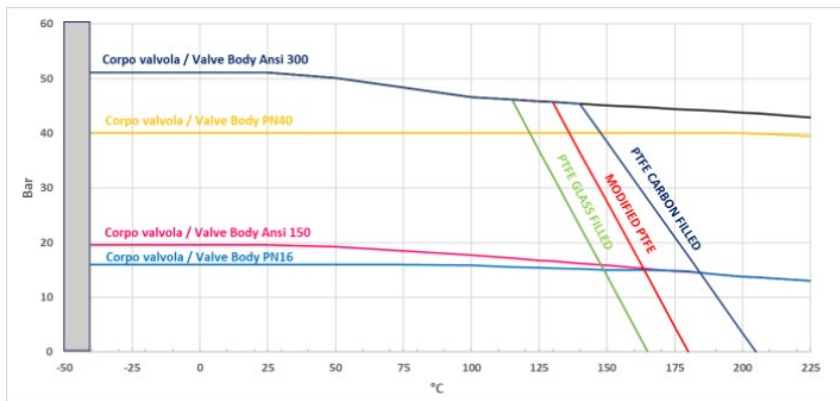


DIAGRAMMA PRESSIONE/TEMPERATURA PER VALVOLE CON CORPO IN ACCIAIO INOX TEMPERATURE/PRESSURE DIAGRAM FOR STAINLESS STEEL VALVE

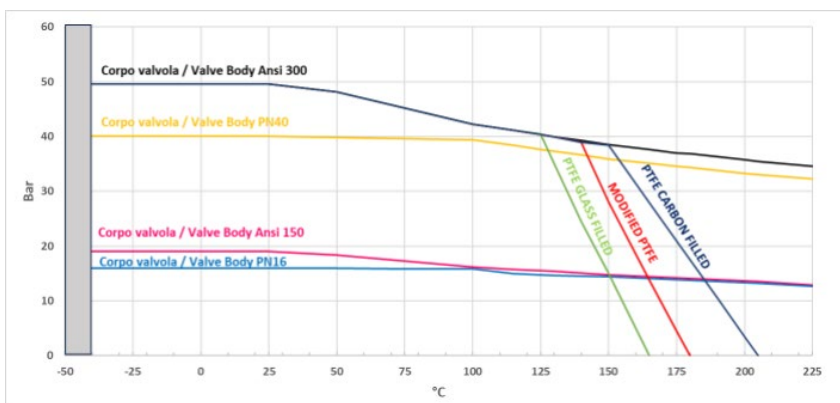
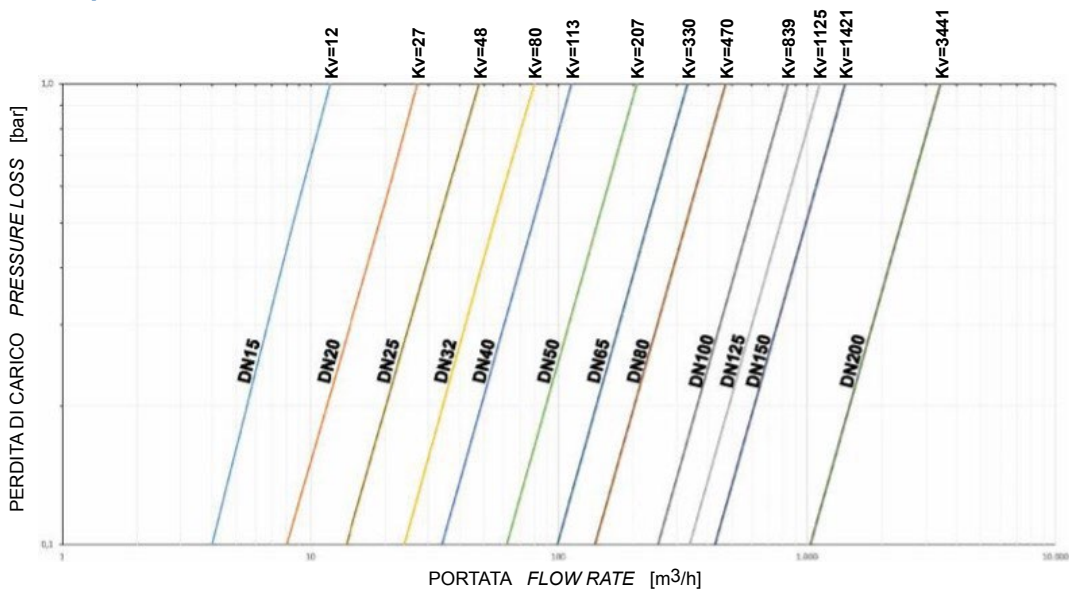


DIAGRAMMA PORTATA/PERDITA DI CARICO E COEFFICIENTE NOMINALE Kv FLOW/PRESSURE LOSS DIAGRAM AND Kv NOMINAL COEFFICIENT



Il valore Kv è il valore di portata in m³/h (con acqua a 15°C) che provoca la caduta di pressione di 1 bar.

Kv is the coefficient, expressed in m³/h (with water at 15°C) causing a pressure loss of 1 bar.



THOR SPLIT BODY PN 16-40 ANSI 150-300

COPPIE DI SPUNTO IN Nm CON SEGGIO IN TFM 1600 E CON FLUIDO INTERCETTATO ACQUA (*) BREAKAWAY TORQUE IN Nm WITH TFM 1600 SEAT AND WATER INTERCEPTED FLUID (*)

misura size	DN 15	DN 20	DN 25	DN 32	DN 40	DN 50	DN 65	DN 80	DN 100	DN 125	DN 150	DN 200
0 bar												
PN16 bar	8	13	19	28	42	61	85	128	220	245	405	690
PN25 bar	9,5	14,5	20	29	43	66	98	158	252	383		
PN40 bar	11	16	21	31	44	72	108	165	292	510		
Ansi 150-20 bar	9	14	19,5	30	43	65	96	153	243	360	480	750
Ansi 300-50 bar	12	18	22	32	46	80	115	180	302	570		

(*): qualora si intercettino fluidi sgrassanti e/o contenenti particolato solido le coppie di manovra possono risultare maggiorate rispetto a quanto riportato in tabella.

(*): *If not lubricated fluids and/or fluids containing solid particles are intercepted, torques could be higher than those in the table.*

I valori della coppia in Nm possono variare in funzione della temperatura e del fluido. Considerare un fattore di sicurezza pari a 1.4. Con frequenti cicli di apertura e chiusura la coppia di manovra può diminuire sensibilmente rispetto a quella iniziale.

Torque can vary depending on temperature and type of fluid, a safety factor 1.4 must be applied. Torque can drop on high frequency of operation.

Il dimensionamento degli attuatori pneumatici è stato fatto considerando una pressione minima di alimentazione pari a 5,6 barg.

The sizing of pneumatic actuators has been done considering a minimum supply pressure of 5,6 barg.



THOR SPLIT BODY PN 16-40 ANSI 150-300

ACCIAIO AL CARBONIO CARBON STEEL



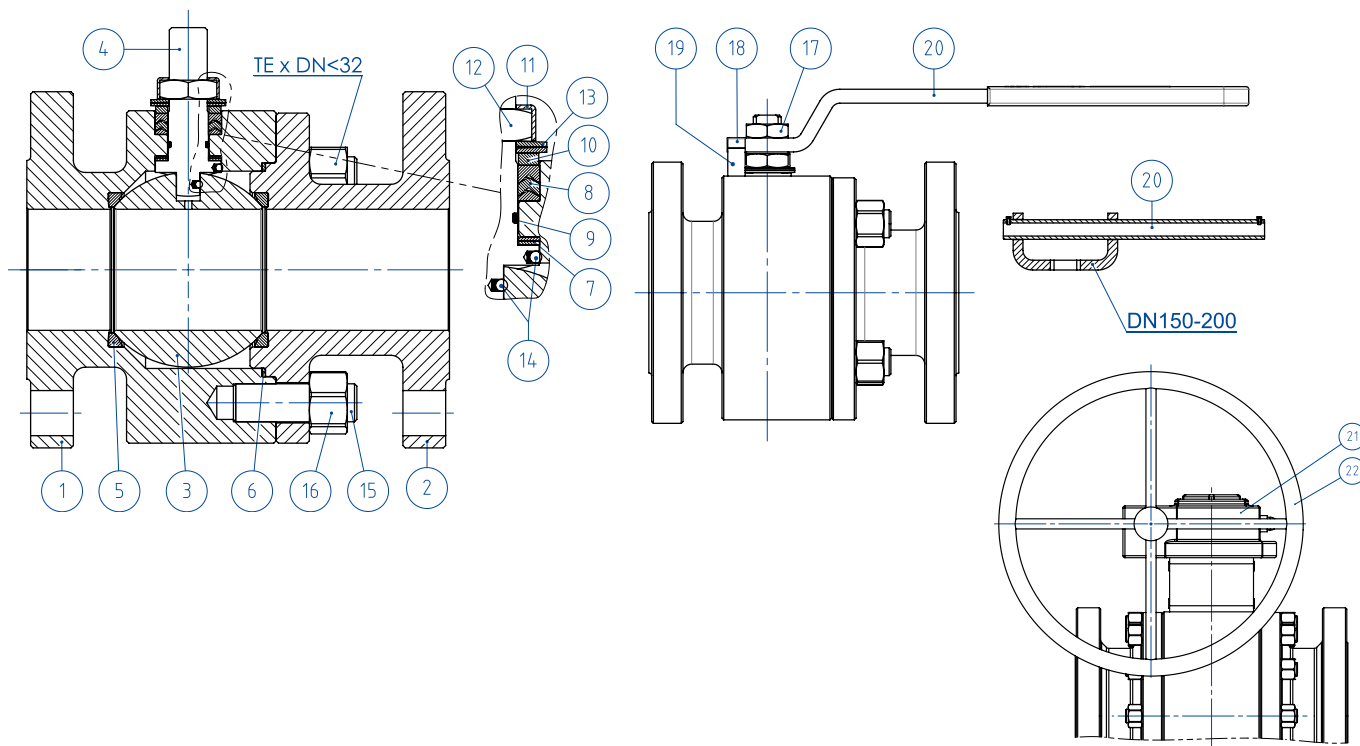
<p>ESECUZIONE STANDARD</p> <ul style="list-style-type: none">• Sfera flottante, passaggio totale. Disponibili versioni a passaggio ridotto.• Tenuta soft-seat PTFE Modificato.• Norme per flange d'attacco EN 1092-1; ASME B16.5.• Temperature di utilizzo vedi diagramma pressione temperatura.• Classe di pressione: PN16-40; ANSI 150-300.• Classe di tenuta: EN12266-1 rate A.• Fluido intercettato: aria, acqua, gas, prodotti petroliferi.• Antistatic device EN12266-2.• Tenuta stelo: pacco a V di serie in PTFE Modificato.• Tenuta addizionale su stelo con O-ring FKM.• Stelo anti Blow-out.• Foratura piano per attuatore a norma ISO 5211.• Angolo di chiusura >7°.• Trattamento superficiale brunitura.	<p>STANDARD FEATURES</p> <ul style="list-style-type: none">• Floating ball, full bore. Available reduce bore version.• Soft-seat seal Modified PTFE.• Standard for connecting flanges: EN 1092-1; ASME B16.5.• Operating temperature see temperature pressure diagram.• Pressure class: PN16-40; ANSI 150-300.• Tightness Class: EN12266-1 rate A.• Intercepted fluid: air, water, gas, petroleum and petrochemical products.• Antistatic device EN12266-2.• Stem seal: Modified PTFE V-ring packing.• Additional seal on stem with FKM O-ring.• Anti Blow-out stem.• Actuator connection as per standard ISO 5211.• Closing angle >7°.• Superficial treatment: blueing.
<p>ESECUZIONI A RICHIESTA</p> <ul style="list-style-type: none">• Esecuzione per temperatura -40 C° in LF2.• Per altri tipi di flangiature contattare il nostro ufficio commerciale.• Guarnizioni di tenuta in:PTFE caricato vetro (PTFE-GF), PTFE caricato carbografito (PTFE-CF). Per altri tipi di materiale contattare il nostro ufficio commerciale.• Esecuzione monodirezionale con foro di compensazione della pressione nella sfera.• Leva,Dadi e molle stelo inox.• Per esecuzioni speciali con materiali (corpo/sfera/stelo) diversi dallo standard contattare il nostro ufficio commerciale.• Trattamento superficiale: zincatura bianca, verniciatura epossidica, (per altri trattamenti contattare il nostro ufficio commerciale).• Marcatura e certificato ATEX A RICHIESTA.	<p>FEATURES ON REQUEST</p> <ul style="list-style-type: none">• LF2 carbon steel for low temperature execution (-40 C°).• For other flange types please contact our sales department.• Sealing in: PTFE reinforced with glass (PTFE-GF), PTFE reinforced with carbon-graphite (PTFE-CF). For other types of materials please contact our sales department.• Mono-directional version with pressure-compensating hole in the ball.• Stainless steel lever.• For special versions in materials different from the standard (body, ball, stem), please contact our sales department.• Stainless steel Stem nuts and springs.• Superficial treatment: white zinc coating ,epoxy coating.• For other coating please contact our sales department.• ATEX marking and certificate ON REQUEST.
<p>CERTIFICAZIONI</p> <ul style="list-style-type: none">• Conforme alla direttiva Europea 2014/68/EU PED; Fugitive Emission ISO 15848 (ISO FE BH-C03-SSA 0); TA-LUFT VDI 2440; FIRE SAFE: ISO 10497 Third ed. 2010 / API 607 Fifth ed. 2005.• Livello di sicurezza funzionale fino a SIL 3 in accordo a IEC 61508.• Conforme alla direttiva ATEX 2014/34/UE, certificato ATEX A RICHIESTA.	<p>CERTIFICATIONS</p> <ul style="list-style-type: none">• In compliance with European Directive 2014/68/EU PED; Fugitive Emission ISO 15848 (ISO FE BH-C03-SSA 0); TA-LUFT VDI 2440; FIRE SAFE: ISO 10497 Third ed. 2010 / API 607 Fifth ed. 2005.• Safety integrity level up to SIL 3 according to the IEC 61508.• In compliance with ATEX 2014/34/EU Directive , ATEX certificate ON REQUEST.
<p>NORME DI PROGETTAZIONE</p> <ul style="list-style-type: none">• Spessori corpo in accordo a: ASME B16.34, ASME VIII div.1, EN 12516.• API 6D (A RICHIESTA).• Materiali e rating in accordo ad ASME B16.34 per valvole ANSI ed EN 12516 per valvole PN.	<p>ENGINEERING STANDARD</p> <ul style="list-style-type: none">• Body thickness in compliance with: ASME B16.34, ASME VIII div.1, EN 12516.• API 6D (ON REQUEST).• Materials and rating in compliance with ASME B16.34 for ANSI valves and EN 12516 for PN valves.



THOR SPLIT BODY - PN 16-40 ANSI 150-300

ACCIAIO AL CARBONIO CARBON STEEL

TABELLA DEI MATERIALI MATERIALS TABLE



		MATERIALI	MATERIALS
		SPLIT BODY PN16-40 ANSI 150-300	acciaio al carbonio carbon steel
N°	Descrizione Description	A105 Carbon steel	A350 LF2 Carbon steel
1	Corpo Body		
2	Terminale Connector	ASTM A105	ASTM A350 LF2
3	Sfera Ball		ASTM A351 CF8 (*) (1.4308/Gx5CrNi19-10)
4	Stelo Stem		ASTM A182F6A / A479 Tp.410 (**)
5*	Seggio Seat		PTFE Modificato Modified PTFE (.) (2)
6*	Guarnizione corpo-terminale Body-connector gasket		GRAFOIL
7*	Tenuta inferiore stelo Stem lower sealing		PTFE Modificato Modified PTFE (.)
8*	Pacco a V Chevron rings		PTFE Modificato Modified PTFE (.)
9*	O-ring stelo Stem o-ring		FKM (.)
10	Anello premiguarnizione Packing gland ring	Acciaio al carbonio zincato Carbon steel galvanized (x) (1)	
11	Piastra blocca dado Stop nut plate		304 S.S.
12	Dado stelo Stem nut	Acciaio al carbonio zincato Carbon steel galvanized (x)	
13	Molle a tazza Springs washer	Acciaio al carbonio zincato Carbon steel galvanized (xx)	
14	Dispositivo antistatico Antistatic device		316 S.S.
15	Tiranti Stud bolt	A193-B7	A320-L7M
16	Dadi Nut	A194-Gr.2H	A194-Gr.7M
17	Controdado Lock nut	Acciaio al carbonio zincato Carbon steel galvanized (x)	
18	Vite di fermo Holder screw		A2-70 (304 S.S.)
19	Fermo di posizione Holder screw	Acciaio al carbonio zincato Carbon steel galvanized (x)	
20	Leva Lever		Fe37 zincato-Galvanized (x)
21	Riduttore Gear box		Ghisa (verniciato) Cast iron (painted)
22	Volantino Handwheel	Acciaio al carbonio verniciato Carbon steel painted	

* Componenti del kit di guarnizioni Components of seals kit

A richiesta disponibile in: Available on request:

(*): A351 CF8M

(**): A564 TP.630 (17-4PH)

(x): 304 s.s.

(xx): 301 s.s.

(1): per DN150 & 200 disponibile solo in 304 S.S. for DN150 & 200 available only in 304 S.S.

(2) DEVLON per DN150 PN25-40 - ANSI300, DN200 PN40 DEVLON for DN150 PN25-40 - ANSI300, DN200 PN40

(.): Altri materiali disponibili a richiesta Other materials available on request



THOR SPLIT BODY - PN 16-40 ANSI 150-300
ACCIAIO AL CARBONIO CARBON STEEL
ASSE LIBERO E CON LEVA FREE SHAFT AND WITH LEVER



**CODICI VALVOLE IN ACCIAIO AL CARBONIO: ASSE LIBERO (V_) - CON LEVA (L_) - CON RIDUTTORE (R_) -PN-
 CARBON STEEL VALVE CODE: FREE SHAFT (V_) - WITH LEVER (L_) - WITH GEARBOX (R_) -PN-**

MISURA DN [mm]	SIZE [inch]	PN	A105 Carbon steel	LF2 Carbon steel
DN 15	1/2"	PN 16-40	V/LT104F03CAB0BFQNV00B	V/LT104F03CBB0BHQNV00B
DN 20	3/4"	PN 16-40	V/LT105F03CAB0BFQNV00B	V/LT105F03CBB0BHQNV00B
DN 25	1"	PN 16-40	V/LT106F03CAB0BFQNV00B	V/LT106F03CBB0BHQNV00B
DN 32	1" 1/4	PN 16-40	V/LT107F03CAB0BFQNV00B	V/LT107F03CBB0BHQNV00B
DN 40	1" 1/2	PN 16-40	V/LT108F03CAB0BGQNV00B	V/LT108F03CBB0BIQNV00B
DN 50	2"	PN 16-40	V/LT109F03CAB0BGQNV00B	V/LT109F03CBB0BIQNV00B
DN 65	2" 1/2	PN 16	V/LT110E03CAB0BGQNV00B	V/LT110E03CBB0BIQNV00B
DN 65	2" 1/2	PN 25-40	V/LT110I03CAB0BGQNV00B	V/LT110I03CBB0BIQNV00B
DN 80	3"	PN 16-40	V/LT111F03CAB0BGQNV00B	V/LT111F03CBB0BIQNV00B
DN 100	4"	PN 16	V/LT112E03CAB0BGQNV00B	V/LT112E03CBB0BIQNV00B
DN 100	4"	PN 25-40	V/LT112I03CAB0BGQNV00B	V/LT112I03CBB0BIQNV00B
DN 125	5"	PN 16	V/LT113E03CAB0BGQNV00B	V/LT113E03CBB0BIQNV00B
DN150(*)	6"	PN 16	V/RT114E03CAB0BGQNV00B	V/RT114E03CBB0BIQNV00B
DN150	6"	PN 25/40	V/RT114I03CAB0BGMNV00B	V/RT114I03CBB0BIMNV00B
DN200(*)	8"	PN 16	V/RT115E03CAB0BGQNV00B	V/RT115E03CBB0BIQNV00B
DN200(*)	8"	PN 25	V/RT115H03CAB0BGQNV00B	V/RT115H03CBB0BIQNV00B
DN200	8"	PN 40	V/RT115J03CAB0BGMNV00B	V/RT115J03CBB0BIMNV00B

**CODICI VALVOLE IN ACCIAIO AL CARBONIO: ASSE LIBERO (V_) - CON LEVA (L_) - CON RIDUTTORE (R_) -ANSI-
 CARBON STEEL VALVE CODE: FREE SHAFT (V_) - WITH LEVER (L_) - WITH GEARBOX (R_) -ANSI-**

MISURA DN [mm]	SIZE [inch]	ANSI	A105 Carbon steel	LF2 Carbon steel
DN 15	1/2"	ANSI 150	V/LT104104CAB0BFQNV00B	V/LT104104CBB0BHQNV00B
DN 15	1/2"	ANSI 300	V/LT104204CAB0BFQNV00B	V/LT104204CBB0BHQNV00B
DN 20	3/4"	ANSI 150	V/LT105104CAB0BFQNV00B	V/LT105104CBB0BHQNV00B
DN 20	3/4"	ANSI 300	V/LT105204CAB0BFQNV00B	V/LT105204CBB0BHQNV00B
DN 25	1"	ANSI 150	V/LT106104CAB0BFQNV00B	V/LT106104CBB0BHQNV00B
DN 25	1"	ANSI 300	V/LT106204CAB0BFQNV00B	V/LT106204CBB0BHQNV00B
DN 32	1" 1/4	ANSI 150	V/LT107104CAB0BFQNV00B	V/LT107104CBB0BHQNV00B
DN 32	1" 1/4	ANSI 300	V/LT107204CAB0BGQNV00B	V/LT107204CBB0BIQNV00B
DN 40	1" 1/2	ANSI 150	V/LT108104CAB0BGQNV00B	V/LT108104CBB0BIQNV00B
DN 40	1" 1/2	ANSI 300	V/LT108204CAB0BGQNV00B	V/LT108204CBB0BIQNV00B
DN 50	2"	ANSI 150	V/LT109104CAB0BGQNV00B	V/LT109104CBB0BIQNV00B
DN 50	2"	ANSI 300	V/LT109204CAB0BGQNV00B	V/LT109204CBB0BIQNV00B
DN 65	2" 1/2	ANSI 150	V/LT110104CAB0BGQNV00B	V/LT110104CBB0BIQNV00B
DN 65	2" 1/2	ANSI 300	V/LT110204CAB0BGQNV00B	V/LT110204CBB0BIQNV00B
DN 80	3"	ANSI 150	V/LT111104CAB0BGQNV00B	V/LT111104CBB0BIQNV00B
DN 80	3"	ANSI 300	V/LT111204CAB0BGQNV00B	V/LT111204CBB0BIQNV00B
DN 100	4"	ANSI 150	V/LT112104CAB0BGQNV00B	V/LT112104CBB0BIQNV00B
DN 100	4"	ANSI 300	V/LT112204CAB0BGQNV00B	V/LT112204CBB0BIQNV00B
DN 125	5"	ANSI 150	V/LT113104CAB0BGQNV00B	V/LT113104CBB0BIQNV00B
DN 125	5"	ANSI 300	V/LT113204CAB0BGQNV00B	V/LT113204CBB0BIQNV00B
DN150(*)	6"	ANSI 150	V/RT114104CAB0BGQNV00B	V/RT114104CBB0BIQNV00B
DN150	6"	ANSI 300	V/RT114204CAB0BGMNV00B	V/RT114204CBB0BIMNV00B
DN200(*)	8"	ANSI 150	V/RT115104CAB0BGQNV00B	V/RT115104CBB0BIQNV00B

DN200 ANSI300 disponibile a magazzino, contattare ufficio commerciale per verifica condizioni operative.
 DN200 ANSI300 on stock, check with our sales department for operating conditions.

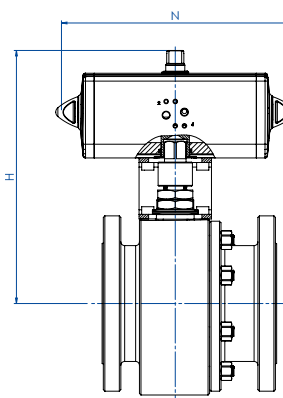
Versione STANDARD con riduttore manuale per DN150 e DN200. STANDARD version with manual gearbox for DN150 and DN200.
 (*) A RICHIESTA versione con leva. ON REQUEST version with manual lever.



THOR SPLIT BODY - PN 16-40

ACCIAIO AL CARBONIO CARBON STEEL

CON ATTUATORE PNEUMATICO DA WITH DA PNEUMATIC ACTUATOR

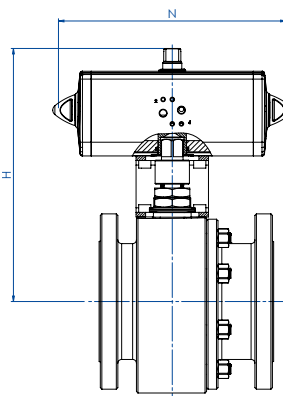


CODICI ARTICOLI IN A105 ACCIAIO AL CARBONIO ITEM CODES IN A105 CARBON STEEL

MISURA SIZE		PN	CODICE ARTICOLO ITEM CODE	ATTUATORE ACTUATOR	KIT di montaggio Mounting KIT	N [mm]	H [mm]	Peso Kg Weight Kg
DN [mm]	[inch]							
DN 15	1/2"	PN 16	DT104E03CAB0BFQNV00BAFBA0	DAN0015411S	KCNAHD5312	159,0	154,2	4,1
DN 15	1/2"	PN 25-40	DT104I03CAB0BFQNV00BAFCA0	DAN0030411S	KCNAHD5312	174,2	161,2	4,4
DN 20	3/4"	PN 16-40	DT105F03CAB0BFQNV00BAFCA0	DAN0030411S	KCNAHD5312	174,2	164,2	5,2
DN 25	1"	PN 16-40	DT106F03CAB0BFQNV00BAFCA0	DAN0030411S	KCNBCHD5315	174,2	181,2	6,6
DN 32	1 1/4"	PN 16-40	DT107F03CAB0BFQNV00BAFDA0	DAN0045412S	KCNBCHD5315	188,5	191,5	9,4
DN 40	1 1/2"	PN 16-40	DT108F03CAB0BGQNV00BAFEA0	DAN0060412S	KCNCCHD5316	198,0	208,4	12,3
DN 50	2"	PN 16	DT109E03CAB0BGQNV00BAFGA0	DAN0106411S	KCNCCHD5317	237,0	230,3	17,6
DN 50	2"	PN 25-40	DT109I03CAB0BGQNV00BAFHA0	DAN0120411S	KCNCCHD5317	244,1	234,0	17,7
DN 65	2 1/2"	PN 16	DT110E03CAB0BGQNV00BAFHA0	DAN0120411S	KCNDDHD5386	244,1	250,0	23,7
DN 65	2 1/2"	PN 25-40	DT110I03CAB0BGQNV00BAFIA0	DAN0180411S	KCNDDHD5387	289,9	280,5	33,9
DN 80	3"	PN 16	DT111E03CAB0BGQNV00BAFIA0	DAN0180411S	KCNDDHD5387	289,9	287,5	31,0
DN 80	3"	PN 25-40	DT111I03CAB0BGQNV00BAFJA0	DAN0240411S	KCNDDHD5387	313,6	291,1	33,4
DN 100	4"	PN 16	DT112E03CAB0BGQNV00BAFKA0	DAN0360411S	KCNEEHD5379	339,3	339,0	46,3
DN 100	4"	PN 25-40	DT112I03CAB0BGQNV00BAFLA0	DAN0480411S	KCNEFHD5322	387,6	355,9	70,0
DN 125	5"	PN 16	DT113E03CAB0BGQNV00BAFLA0	DAN0480411S	KCNEFHD5332	387,6	361,9	80,2
DN 150	6"	PN 16	DT114E03CAB0BGQNV00BAFMA0	DAN0720411S	KCNFGHD5364	433,1	432,0	137,8
DN 150	6"	PN 25-40	DT114I03CAB0BGMNV00BAFRA0	DAN1920411S	KCNGGHD5600	601,0	491,7	163,9
DN 200	8"	PN 16	DT115E03CAB0BGQNV00BAFQA0	DAN1440411S	KCNGGHD5366	567,1	504,0	226,2
DN 200	8"	PN 25	DT115H03CAB0BGQNV00BAFQA0	DAN1440411S	KCNGGHD5366	567,1	504,0	248,2
DN 200	8"	PN 40	DT115J03CAB0BGMNV00BAFSA0	DA2880E16D0A	KCNGHHD5367	667,0	647,0	311,6

CODICI ARTICOLI IN LF2 ACCIAIO AL CARBONIO ITEM CODES IN LF2 CARBON STEEL

MISURA SIZE		PN	CODICE ARTICOLO ITEM CODE	ATTUATORE ACTUATOR	KIT di montaggio Mounting KIT	N [mm]	H [mm]	Peso Kg Weight Kg
DN [mm]	[inch]							
DN 15	1/2"	PN 16	DT104E03CBB0BHQNV00BAFBA0	DAN0015411S	KCNAHD5312	159,0	154,2	4,1
DN 15	1/2"	PN 25-40	DT104I03CBB0BHQNV00BAFCA0	DAN0030411S	KCNAHD5312	174,2	161,2	4,4
DN 20	3/4"	PN 16-40	DT105F03CBB0BHQNV00BAFCA0	DAN0030411S	KCNAHD5312	174,2	164,2	5,2
DN 25	1"	PN 16-40	DT106F03CBB0BHQNV00BAFCA0	DAN0030411S	KCNBCHD5315	174,2	181,2	6,6
DN 32	1 1/4"	PN 16-40	DT107F03CBB0BHQNV00BAFDA0	DAN0045412S	KCNBCHD5315	188,5	191,5	9,4
DN 40	1 1/2"	PN 16-40	DT108F03CBB0BIQNV00BAFEA0	DAN0060412S	KCNCCHD5316	198,0	208,4	12,3
DN 50	2"	PN 16	DT109E03CBB0BIQNV00BAFGA0	DAN0106411S	KCNCCHD5317	237,0	230,3	17,6
DN 50	2"	PN 25-40	DT109I03CBB0BIQNV00BAFHA0	DAN0120411S	KCNCCHD5317	244,1	234,0	17,7
DN 65	2 1/2"	PN 16	DT110E03CBB0BIQNV00BAFHA0	DAN0120411S	KCNDDHD5386	244,1	250,0	23,7
DN 65	2 1/2"	PN 25-40	DT110I03CBB0BIQNV00BAFIA0	DAN0180411S	KCNDDHD5387	289,9	280,5	33,9
DN 80	3"	PN 16	DT111E03CBB0BIQNV00BAFIA0	DAN0180411S	KCNDDHD5387	289,9	287,5	31,0
DN 80	3"	PN 25-40	DT111I03CBB0BIQNV00BAFJA0	DAN0240411S	KCNDDHD5387	313,6	291,1	33,4
DN 100	4"	PN 16	DT112E03CBB0BIQNV00BAFKA0	DAN0360411S	KCNEEHD5379	339,3	339,0	46,3
DN 100	4"	PN 25-40	DT112I03CBB0BIQNV00BAFLA0	DAN0480411S	KCNEFHD5322	387,6	355,9	70,0
DN 125	5"	PN 16	DT113E03CBB0BIQNV00BAFLA0	DAN0480411S	KCNEFHD5332	387,6	361,9	80,2
DN 150	6"	PN 16	DT114E03CBB0BIQNV00BAFMA0	DAN0720411S	KCNFGHD5364	433,1	432,0	137,8
DN 150	6"	PN 25-40	DT114I03CBB0BIMNV00BAFRA0	DAN1920411S	KCNGGHD5600	601,0	491,7	163,9
DN 200	8"	PN 16	DT115E03CBB0BIQNV00BAFQA0	DAN1440411S	KCNGGHD5366	567,1	504,0	226,2
DN 200	8"	PN 25	DT115H03CBB0BIQNV00BAFQA0	DAN1440411S	KCNGGHD5366	567,1	504,0	248,2
DN 200	8"	PN 40	DT115J03CBB0BIMNV00BAFSA0	DA2880E16D0A	KCNGHHD5367	667,0	647,0	311,6

**THOR SPLIT BODY - ANSI 150-300****ACCIAIO AL CARBONIO CARBON STEEL****CON ATTUATORE PNEUMATICO DA WITH DA PNEUMATIC ACTUATOR****CODICI ARTICOLI IN A105 ACCIAIO AL CARBONIO ITEM CODES IN A105 CARBON STEEL**

MISURA SIZE		ANSI	CODICE ARTICOLO ITEM CODE	ATTUATORE ACTUATOR	KIT di montaggio Mounting KIT	N [mm]	H [mm]	Peso Kg Weight Kg
DN [mm]	[inch]							
DN 15	1/2"	ANSI 150	DT104104CAB0BFQNV00BAFBA0	DAN0015411S	KCNAAH5312	159,0	154,2	4,1
DN 15	1/2"	ANSI 300	DT104204CAB0BFQNV00BAFCA0	DAN0030411S	KCNAAH5312	174,2	161,2	4,1
DN 20	3/4"	ANSI 150	DT105104CAB0BFQNV00BAFCA0	DAN0030411S	KCNAAH5312	174,2	164,2	4,5
DN 20	3/4"	ANSI 300	DT105204CAB0BFQNV00BAFCA0	DAN0030411S	KCNAAH5312	174,2	164,2	5,6
DN 25	1"	ANSI 150	DT106104CAB0BFQNV00BAFCA0	DAN0030411S	KCNBCH5315	174,2	181,2	6,1
DN 25	1"	ANSI 300	DT106204CAB0BFQNV00BAFCA0	DAN0030411S	KCNBCH5315	174,2	181,2	7,5
DN 32	1 1/4"	ANSI 150	DT107104CAB0BFQNV00BAFDA0	DAN0045412S	KCNBCH5315	188,5	191,5	8,0
DN 32	1 1/4"	ANSI 300	DT107204CAB0BGQNV00BAFDA0	DAN0045412S	KCNBCH5315	188,5	191,5	10,5
DN 40	1 1/2"	ANSI 150	DT108104CAB0BGQNV00BAFEA0	DAN0060412S	KCNCCH5316	198,0	208,4	11,7
DN 40	1 1/2"	ANSI 300	DT108204CAB0BGQNV00BAFEA0	DAN0060412S	KCNCCH5316	198,0	208,4	14,3
DN 50	2"	ANSI 150	DT109104CAB0BGQNV00BAFGA0	DAN0106411S	KCNCCH5317	237,0	230,3	16,6
DN 50	2"	ANSI 300	DT109204CAB0BGQNV00BAFHA0	DAN0120411S	KCNCCH5317	244,1	234,0	19,9
DN 65	2 1/2"	ANSI 150	DT110104CAB0BGQNV00BAFHA0	DAN0120411S	KCNDDH5386	244,1	250,0	26,6
DN 65	2 1/2"	ANSI 300	DT110204CAB0BGQNV00BAFIA0	DAN0180411S	KCNDDH5387	289,9	280,5	33,0
DN 80	3"	ANSI 150	DT111104CAB0BGQNV00BAFIA0	DAN0180411S	KCNDDH5387	289,9	287,5	32,7
DN 80	3"	ANSI 300	DT111204CAB0BGQNV00BAFJA0	DAN0240411S	KCNDDH5320	313,6	297,1	45,2
DN 100	4"	ANSI 150	DT112104CAB0BGQNV00BAFKA0	DAN0360411S	KCNEEH5379	339,3	339,0	54,3
DN 100	4"	ANSI 300	DT112204CAB0BGQNV00BAFLA0	DAN0480411S	KCNEFH5322	387,6	355,9	79,9
DN 125	5"	ANSI 150	DT113104CAB0BGQNV00BAFLA0	DAN0480411S	KCNEFH5332	387,6	361,9	74,2
DN 125	5"	ANSI 300	DT113204CAB0BGQNV00BAFMA0	DAN0720411S	KCNEFH5348	433,1	383,0	108,7
DN 150	6"	ANSI 150	DT114104CAB0BGQNV00BAFMA0	DAN0720411S	KCNFGH5364	433,1	432,0	142,8
DN 150	6"	ANSI 300	DT114204CAB0GMNV00BAFRA0	DAN1920411S	KCNGGH5600	604,0	491,7	185,9
DN 200	8"	ANSI 150	DT115104CAB0BGQNV00BAFQA0	DAN1440411S	KCNGGH5366	567,1	504,0	238,2

CODICI ARTICOLI IN LF2 ACCIAIO AL CARBONIO ITEM CODES IN LF2 CARBON STEEL

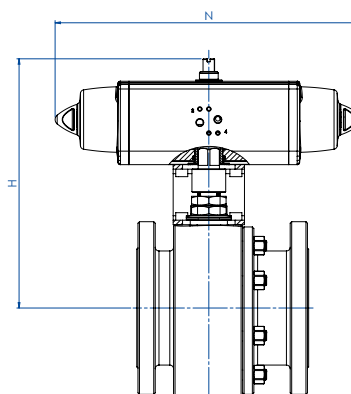
MISURA SIZE		ANSI	CODICE ARTICOLO ITEM CODE	ATTUATORE ACTUATOR	KIT di montaggio Mounting KIT	N [mm]	H [mm]	Peso Kg Weight Kg
DN [mm]	[inch]							
DN 15	1/2"	ANSI 150	DT104104CBB0BHQNV00BAFBA0	DAN0015411S	KCNAAH5312	159,0	154,2	4,1
DN 15	1/2"	ANSI 300	DT104204CBB0BHQNV00BAFCA0	DAN0030411S	KCNAAH5312	174,2	161,2	4,1
DN 20	3/4"	ANSI 150	DT105104CBB0BHQNV00BAFCA0	DAN0030411S	KCNAAH5312	174,2	164,2	4,5
DN 20	3/4"	ANSI 300	DT105204CBB0BHQNV00BAFCA0	DAN0030411S	KCNAAH5312	174,2	164,2	5,6
DN 25	1"	ANSI 150	DT106104CBB0BHQNV00BAFCA0	DAN0030411S	KCNBCH5315	174,2	181,2	6,1
DN 25	1"	ANSI 300	DT106204CBB0BHQNV00BAFCA0	DAN0030411S	KCNBCH5315	174,2	181,2	7,5
DN 32	1 1/4"	ANSI 150	DT107104CBB0BHQNV00BAFDA0	DAN0045412S	KCNBCH5315	188,5	191,5	8,0
DN 32	1 1/4"	ANSI 300	DT107204CBB0BHQNV00BAFDA0	DAN0045412S	KCNBCH5315	188,5	191,5	10,5
DN 40	1 1/2"	ANSI 150	DT108104CBB0BHQNV00BAFEA0	DAN0060412S	KCNCCH5316	198,0	208,4	11,7
DN 40	1 1/2"	ANSI 300	DT108204CBB0BHQNV00BAFEA0	DAN0060412S	KCNCCH5316	198,0	208,4	14,3
DN 50	2"	ANSI 150	DT109104CBB0BHQNV00BAFGA0	DAN0106411S	KCNCCH5317	237,0	230,3	16,6
DN 50	2"	ANSI 300	DT109204CBB0BHQNV00BAFHA0	DAN0120411S	KCNCCH5317	244,1	234,0	19,9
DN 65	2 1/2"	ANSI 150	DT110104CBB0BHQNV00BAFHA0	DAN0120411S	KCNDDH5386	244,1	250,0	26,6
DN 65	2 1/2"	ANSI 300	DT110204CBB0BHQNV00BAFIA0	DAN0180411S	KCNDDH5387	289,9	280,5	33,0
DN 80	3"	ANSI 150	DT111104CBB0BHQNV00BAFIA0	DAN0180411S	KCNDDH5387	289,9	287,5	32,7
DN 80	3"	ANSI 300	DT111204CBB0BHQNV00BAFJA0	DAN0240411S	KCNDDH5320	313,6	297,1	45,2
DN 100	4"	ANSI 150	DT112104CBB0BHQNV00BAFKA0	DAN0360411S	KCNEEH5379	339,3	339,0	54,3
DN 100	4"	ANSI 300	DT112204CBB0BHQNV00BAFLA0	DAN0480411S	KCNEFH5322	387,6	355,9	79,9
DN 125	5"	ANSI 150	DT113104CBB0BHQNV00BAFLA0	DAN0480411S	KCNEFH5332	387,6	361,9	74,2
DN 125	5"	ANSI 300	DT113204CBB0BHQNV00BAFMA0	DAN0720411S	KCNEFH5348	433,1	383,0	108,7
DN 150	6"	ANSI 150	DT114104CBB0BHQNV00BAFMA0	DAN0720411S	KCNFGH5364	433,1	432,0	142,8
DN 150	6"	ANSI 300	DT114204CBB0BHMNV00BAFRA0	DAN1920411S	KCNGGH5600	604,0	491,7	185,9
DN 200	8"	ANSI 150	DT115104CBB0BHQNV00BAFQA0	DAN1440411S	KCNGGH5366	567,1	504,0	238,2



THOR SPLIT BODY - PN 16-40

ACCIAIO AL CARBONIO CARBON STEEL

CON ATTUATORE PNEUMATICO SR WITH SR PNEUMATIC ACTUATOR

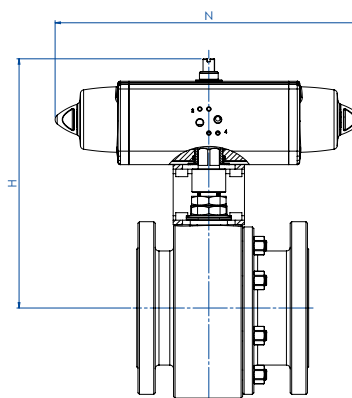


CODICI ARTICOLI IN A105 ACCIAIO AL CARBONIO ITEM CODES IN A105 CARBON STEEL

MISURA DN [mm]	SIZE [inch]	PN	CODICE ARTICOLO ITEM CODE	ATTUATORE ACTUATOR	KIT di montaggio Mounting KIT	N [mm]	H [mm]	Peso Kg Weight Kg
DN 15	1/2"	PN 25-40	ST104I03CAB0BFQNV00BAFEA0	SRN0030402S	KCNACHD5324	258,8	182,4	6,3
DN 20	3/4"	PN 16-40	ST105F03CAB0BFQNV00BAFEA0	SRN0030402S	KCNACHD5324	258,8	185,4	7,7
DN 25	1"	PN 16-40	ST106F03CAB0BFQNV00BAFEA0	SRN0030402S	KCNBCHD5327	258,8	192,4	7,8
DN 32	1 1/4"	PN 16-40	ST107F03CAB0BFQNV00BAFGA0	SRN0053401S	KCNBCHD5328	304,2	210,3	11,3
DN 40	1 1/2"	PN 16-40	ST108F03CAB0BGQNV00BAFHA0	SRN0060401S	KCNCCHD5317	338,5	225,0	14,1
DN 50	2"	PN 16	ST109E03CAB0BGQNV00BAFIA0	SRN0090401S	KCNCDDH5329	393,7	264,5	21,3
DN 50	2"	PN 25-40	ST109I03CAB0BGQNV00BAFJA0	SRN0120401S	KCNCDDH5329	409,6	268,1	22,2
DN 65	2 1/2"	PN 16	ST110E03CAB0BGQNV00BAFJA0	SRN0120401S	KCNDDHD5387	409,6	284,1	28,1
DN 65	2 1/2"	PN 25-40	ST110I03CAB0BGQNV00BAFKA0	SRN0180401S	KCNDDHD5387	474,0	291,0	38,2
DN 80	3"	PN 16	ST111E03CAB0BGQNV00BAFKA0	SRN0180401S	KCNDDHD5387	474,0	298,0	35,3
DN 80	3"	PN 25-40	ST111I03CAB0BGQNV00BAFLA0	SRN0240401S	KCNDEHD5388	520,5	335,0	39,0
DN 100	4"	PN 16	ST112E03CAB0BGQNV00BAFMA0	SRN0360401S	KCNEFHD5322	613,0	369,0	57,1
DN 100	4"	PN 25-40	ST112I03CAB0BGQNV00BAFNA0	SRN0480401S	KCNEFHD5392	648,2	389,0	83,6
DN 125	5"	PN 16	ST113E03CAB0BGQNV00BAFNA0	SRN0480401S	KCNEFHD5333	648,2	395,0	93,8
DN 150	6"	PN 16	ST114E03CAB0BGQNV00BAFQA0	SRN0720401S	KCNGGHD5368	798,0	470,0	159,6
DN 150	6"	PN 25-40	ST114I03CAB0BGMNV00BAFVA0	SR1920E1608A	KCNGHHD5349	1001,0	568,5	198,2
DN 200	8"	PN 16	ST115E03CAB0BGQNV00BAFSA0	SR1440E16D8A	KCNGHHD5370	834,0	647,0	278,2
DN 200	8"	PN 25	ST115H03CAB0BGQNV00BAFSA0	SR1440E16D8A	KCNGHHD5370	834,0	647,0	300,2
DN 200	8"	PN 40	ST115J03CAB0BGMNV00BAFWA0	SR2880E16D8A	KCNGHHD5367	1201,0	654,0	373,3

CODICI ARTICOLI IN LF2 ACCIAIO AL CARBONIO ITEM CODES IN LF2 CARBON STEEL

MISURA DN [mm]	SIZE [inch]	PN	CODICE ARTICOLO ITEM CODE	ATTUATORE ACTUATOR	KIT di montaggio Mounting KIT	N [mm]	H [mm]	Peso Kg Weight Kg
DN 15	1/2"	PN 25-40	ST104I03CBB0BHQNV00BAFEA0	SRN0030402S	KCNACHD5324	258,8	182,4	6,3
DN 20	3/4"	PN 16-40	ST105F03CBB0BHQNV00BAFEA0	SRN0030402S	KCNACHD5324	258,8	185,4	7,7
DN 25	1"	PN 16-40	ST106F03CBB0BHQNV00BAFEA0	SRN0030402S	KCNBCHD5327	258,8	192,4	7,8
DN 32	1 1/4"	PN 16-40	ST107F03CBB0BHQNV00BAFGA0	SRN0053401S	KCNBCHD5328	304,2	210,3	11,3
DN 40	1 1/2"	PN 16-40	ST108F03CBB0BIQNV00BAFHA0	SRN0060401S	KCNCCHD5317	338,5	225,0	14,1
DN 50	2"	PN 16	ST109E03CBB0BIQNV00BAFIA0	SRN0090401S	KCNCDDH5329	393,7	264,5	21,3
DN 50	2"	PN 25-40	ST109I03CBB0BIQNV00BAFJA0	SRN0120401S	KCNCDDH5329	409,6	268,1	22,2
DN 65	2 1/2"	PN 16	ST110E03CBB0BIQNV00BAFJA0	SRN0120401S	KCNDDHD5387	409,6	284,1	28,1
DN 65	2 1/2"	PN 25-40	ST110I03CBB0BIQNV00BAFKA0	SRN0180401S	KCNDDHD5387	474,0	291,0	38,2
DN 80	3"	PN 16	ST111E03CBB0BIQNV00BAFKA0	SRN0180401S	KCNDDHD5387	474,0	298,0	35,3
DN 80	3"	PN 25-40	ST111I03CBB0BIQNV00BAFLA0	SRN0240401S	KCNDEHD5388	520,5	335,0	39,0
DN 100	4"	PN 16	ST112E03CBB0BIQNV00BAFMA0	SRN0360401S	KCNEFHD5322	613,0	369,0	57,1
DN 100	4"	PN 25-40	ST112I03CBB0BIQNV00BAFNA0	SRN0480401S	KCNEFHD5392	648,2	389,0	83,6
DN 125	5"	PN 16	ST113E03CBB0BIQNV00BAFNA0	SRN0480401S	KCNEFHD5333	648,2	395,0	93,8
DN 150	6"	PN 16	ST114E03CBB0BIQNV00BAFQA0	SRN0720401S	KCNGGHD5368	798,0	470,0	159,6
DN 150	6"	PN 25-40	ST114I03CBB0BIMNV00BAFVA0	SR1920E1608A	KCNGHHD5349	1001,0	568,5	198,2
DN 200	8"	PN 16	ST115E03CBB0BIQNV00BAFSA0	SR1440E16D8A	KCNGHHD5370	834,0	647,0	278,2
DN 200	8"	PN 25	ST115H03CBB0BIQNV00BAFSA0	SR1440E16D8A	KCNGHHD5370	834,0	647,0	300,2
DN 200	8"	PN 40	ST115J03CBB0BIMNV00BAFWA0	SR2880E16D8A	KCNGHHD5367	1201,0	654,0	373,3

**THOR SPLIT BODY - ANSI 150-300****ACCIAIO AL CARBONIO CARBON STEEL****CON ATTUATORE PNEUMATICO SR WITH SR PNEUMATIC ACTUATOR****CODICI ARTICOLI IN A105 ACCIAIO AL CARBONIO ITEM CODES IN A105 CARBON STEEL**

MISURA SIZE		ANSI	CODICE ARTICOLO ITEM CODE	ATTUATORE ACTUATOR	KIT di montaggio Mounting KIT	N [mm]	H [mm]	Peso Kg Weight Kg
DN [mm]	[inch]							
DN 15	1/2"	ANSI 150	ST104104CAB0BFQNV00BAFCA0	SRN0015401S	KCNAHD5312	233,2	161,2	4,6
DN 15	1/2"	ANSI 300	ST104204CAB0BFQNV00BAFEA0	SRN0030402S	KCNACHD5324	258,8	182,4	5,2
DN 20	3/4"	ANSI 150	ST105104CAB0BFQNV00BAFEA0	SRN0030402S	KCNACHD5324	258,8	185,4	5,6
DN 20	3/4"	ANSI 300	ST105204CAB0BFQNV00BAFEA0	SRN0030402S	KCNACHD5324	258,8	185,4	6,7
DN 25	1"	ANSI 150	ST106104CAB0BFQNV00BAFEA0	SRN0030402S	KCNBCHD5327	258,8	192,4	7,1
DN 25	1"	ANSI 300	ST106204CAB0BFQNV00BAFEA0	SRN0030402S	KCNBCHD5327	258,8	192,4	8,5
DN 32	1 1/4"	ANSI 150	ST107104CAB0BFQNV00BAFGA0	SRN0053401S	KCNBCHD5328	304,2	210,3	9,9
DN 32	1 1/4"	ANSI 300	ST107204CAB0BGQNV00BAFGA0	SRN0053401S	KCNBCHD5328	304,2	210,3	12,4
DN 40	1 1/2"	ANSI 150	ST108104CAB0BGQNV00BAFHA0	SRN0060401S	KCNCCHD5317	338,5	225,0	13,5
DN 40	1 1/2"	ANSI 300	ST108204CAB0BGQNV00BAFHA0	SRN0060401S	KCNCCHD5317	338,5	225,0	16,1
DN 50	2"	ANSI 150	ST109104CAB0BGQNV00BAFIA0	SRN0090401S	KCNCDDH5329	393,7	264,5	20,3
DN 50	2"	ANSI 300	ST109204CAB0BGQNV00BAFIA0	SRN0120401S	KCNCDDH5329	409,6	268,1	24,4
DN 65	2 1/2"	ANSI 150	ST110104CAB0BGQNV00BAFJA0	SRN0120401S	KCNDDHD5387	409,6	284,1	30,9
DN 65	2 1/2"	ANSI 300	ST110204CAB0BGQNV00BAFJA0	SRN0180401S	KCNDDHD5387	474,0	291,0	37,3
DN 80	3"	ANSI 150	ST111104CAB0BGQNV00BAFKA0	SRN0180401S	KCNDDHD5387	474,0	298,0	37,0
DN 80	3"	ANSI 300	ST111204CAB0BGQNV00BAFLA0	SRN0240401S	KCNDEHD5331	520,5	341,0	51,8
DN 100	4"	ANSI 150	ST112104CAB0BGQNV00BAFMA0	SRN0360401S	KCNEFHD5322	613,0	369,0	65,1
DN 100	4"	ANSI 300	ST112204CAB0BGQNV00BAFNA0	SRN0480401S	KCNEFHD5392	648,2	389,0	93,5
DN 125	5"	ANSI 150	ST113104CAB0BGQNV00BAFNA0	SRN0480401S	KCNEFHD5333	648,2	395,0	87,8
DN 125	5"	ANSI 300	ST113204CAB0BGQNV00BAFQA0	SRN0720401S	KCNEGHD5356	798,0	421,0	130,6
DN 150	6"	ANSI 150	ST114104CAB0BGQNV00BAFQA0	SRN0720401S	KCNGGHD5368	798,0	470,0	164,6
DN 150	6"	ANSI 300	ST114204CAB0BGMNV00BAFVA0	SR1920E1608A	KCNGHHD5349	1001,0	568,5	220,9
DN 200	8"	ANSI 150	ST115104CAB0BGQNV00BAFSA0	SR1440E16D8A	KCNGHHD5370	834,0	647,0	537,2

CODICI ARTICOLI IN LF2 ACCIAIO AL CARBONIO ITEM CODES IN LF2 CARBON STEEL

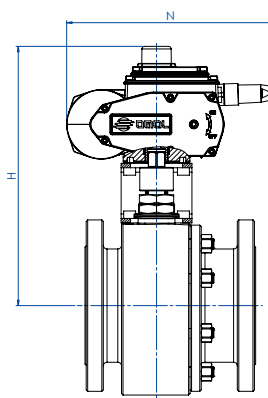
MISURA SIZE		ANSI	CODICE ARTICOLO ITEM CODE	ATTUATORE ACTUATOR	KIT di montaggio Mounting KIT	N [mm]	H [mm]	Peso Kg Weight Kg
DN [mm]	[inch]							
DN 15	1/2"	ANSI 150	ST104104CBB0BHQNV00BAFCA0	SRN0015401S	KCNAHD5312	233,2	161,2	4,6
DN 15	1/2"	ANSI 300	ST104204CBB0BHQNV00BAFEA0	SRN0030402S	KCNACHD5324	258,8	182,4	5,2
DN 20	3/4"	ANSI 150	ST105104CBB0BHQNV00BAFEA0	SRN0030402S	KCNACHD5324	258,8	185,4	5,6
DN 20	3/4"	ANSI 300	ST105204CBB0BHQNV00BAFEA0	SRN0030402S	KCNACHD5324	258,8	185,4	6,7
DN 25	1"	ANSI 150	ST106104CBB0BHQNV00BAFEA0	SRN0030402S	KCNBCHD5327	258,8	192,4	7,1
DN 25	1"	ANSI 300	ST106204CBB0BHQNV00BAFEA0	SRN0030402S	KCNBCHD5327	258,8	192,4	8,5
DN 32	1 1/4"	ANSI 150	ST107104CBB0BHQNV00BAFGA0	SRN0053401S	KCNBCHD5328	304,2	210,3	9,9
DN 32	1 1/4"	ANSI 300	ST107204CBB0BHQNV00BAFGA0	SRN0053401S	KCNBCHD5328	304,2	210,3	12,4
DN 40	1 1/2"	ANSI 150	ST108104CBB0BHQNV00BAFHA0	SRN0060401S	KCNCCHD5317	338,5	225,0	13,5
DN 40	1 1/2"	ANSI 300	ST108204CBB0BHQNV00BAFHA0	SRN0060401S	KCNCCHD5317	338,5	225,0	16,1
DN 50	2"	ANSI 150	ST109104CBB0BHQNV00BAFIA0	SRN0090401S	KCNCDDH5329	393,7	264,5	20,3
DN 50	2"	ANSI 300	ST109204CBB0BHQNV00BAFIA0	SRN0120401S	KCNCDDH5329	409,6	268,1	24,4
DN 65	2 1/2"	ANSI 150	ST110104CBB0BHQNV00BAFJA0	SRN0120401S	KCNDDHD5387	409,6	284,1	30,9
DN 65	2 1/2"	ANSI 300	ST110204CBB0BHQNV00BAFJA0	SRN0180401S	KCNDDHD5387	474,0	291,0	37,3
DN 80	3"	ANSI 150	ST111104CBB0BHQNV00BAFKA0	SRN0180401S	KCNDDHD5387	474,0	298,0	37,0
DN 80	3"	ANSI 300	ST111204CBB0BHQNV00BAFLA0	SRN0240401S	KCNDEHD5331	520,5	341,0	51,8
DN 100	4"	ANSI 150	ST112104CBB0BHQNV00BAFMA0	SRN0360401S	KCNEFHD5322	613,0	369,0	65,1
DN 100	4"	ANSI 300	ST112204CBB0BHQNV00BAFNA0	SRN0480401S	KCNEFHD5392	648,2	389,0	93,5
DN 125	5"	ANSI 150	ST113104CBB0BHQNV00BAFNA0	SRN0480401S	KCNEFHD5333	648,2	395,0	87,8
DN 125	5"	ANSI 300	ST113204CBB0BHQNV00BAFQA0	SRN0720401S	KCNEGHD5356	798,0	421,0	130,6
DN 150	6"	ANSI 150	ST114104CBB0BHQNV00BAFQA0	SRN0720401S	KCNGGHD5368	798,0	470,0	164,6
DN 150	6"	ANSI 300	ST114204CBB0BHMNV00BAFVA0	SR1920E1608A	KCNGHHD5349	1001,0	568,5	220,9
DN 200	8"	ANSI 150	ST115104CBB0BHQNV00BAFSA0	SR1440E16D8A	KCNGHHD5370	834,0	647,0	537,2



THOR SPLIT BODY - PN16-40

ACCIAIO AL CARBONIO CARBON STEEL

CON ATTUATORE ELETTRICO WITH ELECTRIC ACTUATOR



CODICI ARTICOLI IN A105 ACCIAIO AL CARBONIO ITEM CODES IN A105 CARBON STEEL

MISURA SIZE		PN	CODICE ARTICOLO ITEM CODE	ATTUATORE ACTUATOR	KIT di montaggio Mounting KIT	N [mm]	H [mm]	Peso Kg Weight Kg
DN [mm]	[inch]							
DN 15	1/2"	PN 16-40	ET104F03CAB0BFQNV00BAMEGO	EA0035A5C000	KCNACHD5324	250,0	229,0	7,2
DN 20	3/4"	PN 16-40	ET105F03CAB0BFQNV00BAMEGO	EA0035A5C000	KCNACHD5324	250,0	232,0	7,8
DN 25	1"	PN 16-40	ET106F03CAB0BFQNV00BAMEGO	EA0035A5C000	KCNBCHD5327	250,0	239,0	9,4
DN 32	1" 1/4	PN 16-40	ET107F03CAB0BFQNV00BAMGGGO	EA0070A5C000	KCNBCHD5327	250,0	244,0	12,0
DN 40	1" 1/2	PN 16-40	ET108F03CAB0BGQNV00BAMGGGO	EA0070A5C000	KCNCCHD5316	250,0	255,0	14,5
DN 50	2"	PN 16-40	ET109F03CAB0BGQNV00BAMIGGO	EA0130A5C000	KCNCCHD5317	280,0	284,5	22,3
DN 65	2" 1/2	PN 16	ET110E03CAB0BGQNV00BAMIGGO	EA0130A5C000	KCNDDHD5386	280,0	300,5	28,3
DN 65	2" 1/2	PN 25-40	ET110I03CAB0BGQNV00BAMKGO	EA0240A5C000	KCNDDHD5387	280,0	300,5	36,8
DN 80	3"	PN 16-40	ET111F03CAB0BGQNV00BAMKGO	EA0240A5C000	KCNDDHD5387	280,0	307,5	33,9
DN 100	4"	PN 16	ET112E03CAB0BGQNV00BAMNAO	AE160040	KCNEEHV5337	256,5	378,0	49,0
DN 100	4"	PN 25-40	ET112I03CAB0BGQNV00BAMNAO	AE160040	KCNEEHV5337	256,5	378,0	68,8
DN 125	5"	PN 16	ET113E03CAB0BGQNV00BAMNAO	AE160040	KCNEEHV5336	256,5	382,0	79,0
DN 150	6"	PN 16	ET114E03CAB0BGQNV00BAMTAO	AE160100	KCNFGHV5372	381,0	488,0	148,2
DN 150	6"	PN 25-40	ET114I03CAB0BGMNV00BAMXAO	AE160200	KCNFGHV5374	381,0	488,0	153,7
DN 200	8"	PN 16	ET115E03CAB0BGQNV00BAMTAO	AE160100	KCNFGHV5375	381,0	522,0	225,1
DN 200	8"	PN 25	ET115H03CAB0BGQNV00BAMXAO	AE160200	KCNFGHV5376	381,0	522,0	248,0
DN 200	8"	PN 40	ET115J03CAB0BGMNV00BAMXAO	AE160200	KCNFGHV5377	381,0	529,0	278,0

CODICI ARTICOLI IN LF2 ACCIAIO AL CARBONIO ITEM CODES IN LF2 CARBON STEEL

MISURA SIZE		PN	CODICE ARTICOLO ITEM CODE	ATTUATORE ACTUATOR	KIT di montaggio Mounting KIT	N [mm]	H [mm]	Peso Kg Weight Kg
DN [mm]	[inch]							
DN 15	1/2"	PN 16-40	ET104F03CBB0BHQN00BAMEGO	EA0035A5C000	KCNACHD5324	250,0	229,0	7,2
DN 20	3/4"	PN 16-40	ET105F03CBB0BHQN00BAMEGO	EA0035A5C000	KCNACHD5324	250,0	232,0	7,8
DN 25	1"	PN 16-40	ET106F03CBB0BHQN00BAMEGO	EA0035A5C000	KCNBCHD5327	250,0	239,0	9,4
DN 32	1" 1/4	PN 16-40	ET107F03CBB0BHQN00BAMGGGO	EA0070A5C000	KCNBCHD5327	250,0	244,0	12,0
DN 40	1" 1/2	PN 16-40	ET108F03CBB0BIQNV00BAMGGGO	EA0070A5C000	KCNCCHD5316	250,0	255,0	14,5
DN 50	2"	PN 16-40	ET109F03CBB0BIQNV00BAMIGGO	EA0130A5C000	KCNCCHD5317	280,0	284,5	22,3
DN 65	2" 1/2	PN 16	ET110E03CBB0BIQNV00BAMIGGO	EA0130A5C000	KCNDDHD5386	280,0	300,5	28,3
DN 65	2" 1/2	PN 25-40	ET110I03CBB0BIQNV00BAMKGO	EA0240A5C000	KCNDDHD5387	280,0	300,5	36,8
DN 80	3"	PN 16-40	ET111F03CBB0BIQNV00BAMKGO	EA0240A5C000	KCNDDHD5387	280,0	307,5	33,9
DN 100	4"	PN 16	ET112E03CBB0BIQNV00BAMNAO	AE160040	KCNEEHV5337	256,5	378,0	49,0
DN 100	4"	PN 25-40	ET112I03CBB0BIQNV00BAMNAO	AE160040	KCNEEHV5337	256,5	378,0	68,8
DN 125	5"	PN 16	ET113E03CBB0BIQNV00BAMNAO	AE160040	KCNEEHV5336	256,5	382,0	79,0
DN 150	6"	PN 16	ET114E03CBB0BIQNV00BAMTAO	AE160100	KCNFGHV5372	381,0	488,0	148,2
DN 150	6"	PN 25-40	ET114I03CBB0BIMNV00BAMXAO	AE160200	KCNFGHV5374	381,0	488,0	153,7
DN 200	8"	PN 16	ET115E03CBB0BIQNV00BAMTAO	AE160100	KCNFGHV5375	381,0	522,0	225,1
DN 200	8"	PN 25	ET115H03CBB0BIQNV00BAMXAO	AE160200	KCNFGHV5376	381,0	522,0	248,0
DN 200	8"	PN 40	ET115J03CBB0BIMNV00BAMXAO	AE160200	KCNFGHV5377	381,0	529,0	278,0

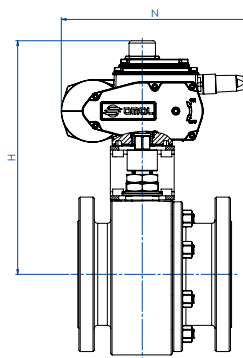
Articoli disponibili anche con attuatore modulante Items available also with modulating actuator



THOR SPLIT BODY - ANSI 150-300

ACCIAIO AL CARBONIO CARBON STEEL

CON ATTUATORE ELETTRICO WITH ELECTRIC ACTUATOR



CODICI ARTICOLI IN A105 ACCIAIO AL CARBONIO ITEM CODES IN A105 CARBON STEEL

MISURA	SIZE	ANSI	CODICE ARTICOLO ITEM CODE	ATTUATORE ACTUATOR	KIT di montaggio Mounting KIT	N [mm]	H [mm]	Peso Kg Weight Kg
DN [mm]	[inch]							
DN 15	1/2"	ANSI 150	ET104104CAB0BFQNV00BAMEGO	EA0035A5C000	KCNACHD5324	250,0	229,0	7,2
DN 15	1/2"	ANSI 300	ET104204CAB0BFQNV00BAMEGO	EA0035A5C000	KCNACHD5324	250,0	229,0	6,9
DN 20	3/4"	ANSI 150	ET105104CAB0BFQNV00BAMEGO	EA0035A5C000	KCNACHD5324	250,0	232,0	7,3
DN 20	3/4"	ANSI 300	ET105204CAB0BFQNV00BAMEGO	EA0035A5C000	KCNACHD5324	250,0	232,0	8,4
DN 25	1"	ANSI 150	ET106104CAB0BFQNV00BAMEGO	EA0035A5C000	KCNBCHD5327	250,0	239,0	8,7
DN 25	1"	ANSI 300	ET106204CAB0BFQNV00BAMEGO	EA0035A5C000	KCNBCHD5327	250,0	239,0	10,1
DN 32	1" 1/4	ANSI 150	ET107104CAB0BFQNV00BAMGGGO	EA0070A5C000	KCNBCHD5327	250,0	244,0	10,6
DN 32	1" 1/4	ANSI 300	ET107204CAB0BGQNV00BAMGGGO	EA0070A5C000	KCNBCHD5327	250,0	244,0	13,1
DN 40	1" 1/2	ANSI 150	ET108104CAB0BGQNV00BAMGGGO	EA0070A5C000	KCNCCHD5316	250,0	255,0	13,9
DN 40	1" 1/2	ANSI 300	ET108204CAB0BGQNV00BAMGGGO	EA0070A5C000	KCNCCHD5316	250,0	255,0	16,5
DN 50	2"	ANSI 150	ET109104CAB0BGQNV00BAMIGGO	EA0130A5C000	KCNCCHD5317	280,0	284,5	21,3
DN 50	2"	ANSI 300	ET109204CAB0BGQNV00BAMIGGO	EA0130A5C000	KCNCCHD5317	280,0	284,5	24,5
DN 65	2" 1/2	ANSI 150	ET110104CAB0BGQNV00BAMIGGO	EA0130A5C000	KCNDDHD5386	280,0	300,5	31,2
DN 65	2" 1/2	ANSI 300	ET110204CAB0BGQNV00BAMKGGGO	EA0240A5C000	KCNDDHD5387	280,0	300,5	35,9
DN 80	3"	ANSI 150	ET111104CAB0BGQNV00BAMKGGGO	EA0240A5C000	KCNDDHD5387	280,0	307,5	35,6
DN 80	3"	ANSI 300	ET111204CAB0BGQNV00BAMKGGGO	EA0240A5C000	KCNDDHD5320	280,0	313,5	47,3
DN 100	4"	ANSI 150	ET112104CAB0BGQNV00BAMNAAO	AE160040	KCNEEHV5337	256,5	376,0	57,0
DN 100	4"	ANSI 300	ET112204CAB0BGQNV00BAMNAAO	AE160040	KCNEEHV5337	256,5	376,0	78,7
DN 125	5"	ANSI 150	ET113104CAB0BGQNV00BAMNAAO	AE160040	KCNEEHV5336	256,5	382,0	73,0
DN 125	5"	ANSI 300	ET113204CAB0BGQNV00BAMRAAO	AE160060	KCNEEHV5362	381,0	439,0	118,1
DN 150	6"	ANSI 150	ET114104CAB0BGQNV00BAMTAAO	AE160100	KCNFGHV5372	381,0	488,0	153,2
DN 150	6"	ANSI 300	ET114204CAB0BGMNV00BAMXAAO	AE160200	KCNFGHV5374	381,0	488,0	175,7
DN 200	8"	ANSI 150	ET115104CAB0BGQNV00BAMTAAO	AE160100	KCNFGHV5375	381,0	522,0	237,1

CODICI ARTICOLI IN LF2 ACCIAIO AL CARBONIO ITEM CODES IN LF2 CARBON STEEL

MISURA	SIZE	ANSI	CODICE ARTICOLO ITEM CODE	ATTUATORE ACTUATOR	KIT di montaggio Mounting KIT	N [mm]	H [mm]	Peso Kg Weight Kg
DN [mm]	[inch]							
DN 15	1/2"	ANSI 150	ET104104CBB0BHQN00BAMEGO	EA0035A5C000	KCNACHD5324	250,0	229,0	7,2
DN 15	1/2"	ANSI 300	ET104204CBB0BHQN00BAMEGO	EA0035A5C000	KCNACHD5324	250,0	229,0	6,9
DN 20	3/4"	ANSI 150	ET105104CBB0BHQN00BAMEGO	EA0035A5C000	KCNACHD5324	250,0	232,0	7,3
DN 20	3/4"	ANSI 300	ET105204CBB0BHQN00BAMEGO	EA0035A5C000	KCNACHD5324	250,0	232,0	8,4
DN 25	1"	ANSI 150	ET106104CBB0BHQN00BAMEGO	EA0035A5C000	KCNBCHD5327	250,0	239,0	8,7
DN 25	1"	ANSI 300	ET106204CBB0BHQN00BAMEGO	EA0035A5C000	KCNBCHD5327	250,0	239,0	10,1
DN 32	1" 1/4	ANSI 150	ET107104CBB0BHQN00BAMGGGO	EA0070A5C000	KCNBCHD5327	250,0	244,0	10,6
DN 32	1" 1/4	ANSI 300	ET107204CBB0BIQNV00BAMGGGO	EA0070A5C000	KCNBCHD5327	250,0	244,0	13,1
DN 40	1" 1/2	ANSI 150	ET108104CBB0BIQNV00BAMGGGO	EA0070A5C000	KCNCCHD5316	250,0	255,0	13,9
DN 40	1" 1/2	ANSI 300	ET108204CBB0BIQNV00BAMGGGO	EA0070A5C000	KCNCCHD5316	250,0	255,0	16,5
DN 50	2"	ANSI 150	ET109104CBB0BIQNV00BAMIGGO	EA0130A5C000	KCNCCHD5317	280,0	284,5	21,3
DN 50	2"	ANSI 300	ET109204CBB0BIQNV00BAMIGGO	EA0130A5C000	KCNCCHD5317	280,0	284,5	24,5
DN 65	2" 1/2	ANSI 150	ET110104CBB0BIQNV00BAMIGGO	EA0130A5C000	KCNDDHD5386	280,0	300,5	31,2
DN 65	2" 1/2	ANSI 300	ET110204CBB0BIQNV00BAMKGGGO	EA0240A5C000	KCNDDHD5387	280,0	300,5	35,9
DN 80	3"	ANSI 150	ET111104CBB0BIQNV00BAMKGGGO	EA0240A5C000	KCNDDHD5387	280,0	307,5	35,6
DN 80	3"	ANSI 300	ET111204CBB0BIQNV00BAMKGGGO	EA0240A5C000	KCNDDHD5320	280,0	313,5	47,3
DN 100	4"	ANSI 150	ET112104CBB0BIQNV00BAMNAAO	AE160040	KCNEEHV5337	256,5	376,0	57,0
DN 100	4"	ANSI 300	ET112204CBB0BIQNV00BAMNAAO	AE160040	KCNEEHV5337	256,5	376,0	78,7
DN 125	5"	ANSI 150	ET113104CBB0BIQNV00BAMNAAO	AE160040	KCNEEHV5336	256,5	382,0	73,0
DN 125	5"	ANSI 300	ET113204CBB0BIQNV00BAMRAAO	AE160060	KCNEEHV5362	381,0	439,0	118,1
DN 150	6"	ANSI 150	ET114104CBB0BIQNV00BAMTAAO	AE160100	KCNFGHV5372	381,0	488,0	153,2
DN 150	6"	ANSI 300	ET114204CBB0BIMNV00BAMXAAO	AE160200	KCNFGHV5374	381,0	488,0	175,7
DN 200	8"	ANSI 150	ET115104CBB0BIQNV00BAMTAAO	AE160100	KCNFGHV5375	381,0	522,0	237,1

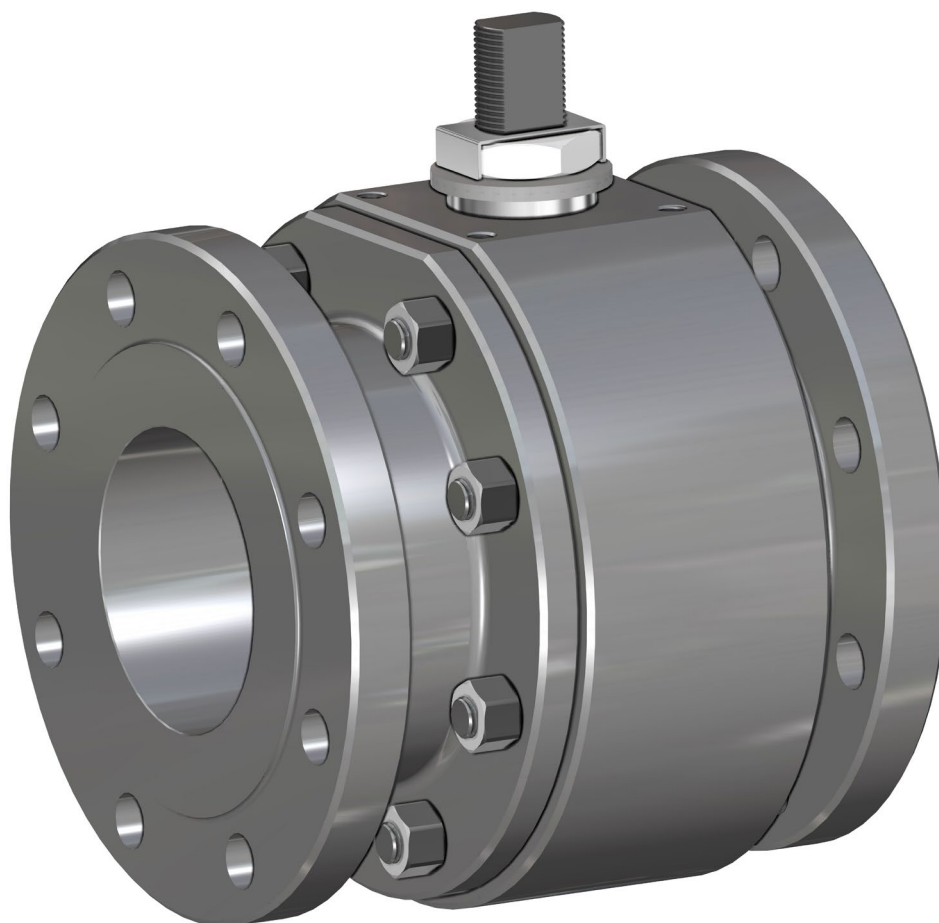
Articoli disponibili anche con attuatore modulante Items available also with modulating actuator





THOR SPLIT BODY PN 16-40 ANSI 150-300

ACCIAIO INOX *STAINLESS STEEL*



ESECUZIONE STANDARD

- Sfera flottante, passaggio totale. Disponibili versioni a passaggio ridotto.
- Tenuta soft-seat PTFE Modificato.
- Norme per flange d'attacco EN 1092-1; ASME B16.5.
- Temperature di utilizzo vedi diagramma pressione temperatura.
- Classe di pressione: PN16-40; ANSI 150-300.
- Classe di tenuta: EN12266-1 rate A.
- Fluido intercettato: aria, acqua, gas, prodotti petroliferi e petrolchimici, fluidi aggressivi.
- Antistatic device EN12266-2.
- Tenuta stelo: pacco a V di serie in PTFE Modificato.
- Tenuta addizionale su stelo con O-ring FKM.
- Stelo anti Blow-out.
- Foratura piano per attuatore a norma ISO 5211.
- Angolo di chiusura >7°.

STANDARD FEATURES

- *Floating ball, full bore. Available reduce bore version.*
- *Soft-seat seal Modified PTFE.*
- *Standard for connecting flanges: EN 1092-1; ASME B16.5.*
- *Operating temperature see temperature pressure diagram.*
- *Pressure class: PN16-40 - ANSI 150-300.*
- *Tightness Class: EN12266-1 rate A.*
- *Intercepted fluid: air, water, gas, petroleum and petrochemical products, aggressive fluids.*
- *Antistatic device EN12266-2.*
- *Stem seal: Modified PTFE V-ring packing.*
- *Additional seal on stem with FKM O-ring.*
- *Anti Blow-out stem.*
- *Actuator connection as per standard ISO 5211.*
- *Closing angle >7°.*

ESECUZIONE A RICHIESTA

- Per altri tipi di flangiature contattare il nostro ufficio commerciale.
- Guarnizioni di tenuta in: PTFE caricato vetro (PTFE-GF), PTFE caricato carbografite (PTFE-CF). Per altri tipi di materiale contattare il nostro ufficio commerciale.
- Esecuzione monodirezionale con foro di compensazione della pressione nella sfera.
- Leva inox.
- Dadi e molle stelo inox.
- Per esecuzioni speciali con materiali (corpo/sfera/stelo) diversi dallo standard contattare il nostro ufficio commerciale.
- Marcatura e certificato ATEX A RICHIESTA.

FEATURES ON REQUEST

- *For other flange types please contact our sales department.*
- *Sealing in: PTFE reinforced with glass (PTFE-GF), PTFE reinforced with carbon-graphite (PTFE-CF). For other types of materials please contact our sales department.*
- *Mono-directional version with pressure-relief hole in the ball.*
- *Stainless steel lever.*
- *Stainless steel Stem nuts and springs.*
- *For special versions in materials different from the standard (body, ball, stem), please contact our sales department.*
- *ATEX marking and certificate ON REQUEST.*

CERTIFICAZIONI

- Conforme alla direttiva Europea 2014/68/EU PED; Fugitive Emission ISO 15848 (ISO FE BH-C03-SSA 0); TA-LUFT VDI 2440; FIRE SAFE: ISO 10497 Third ed. 2010 / API 607 Sixth ed. 2010.
- Livello di sicurezza funzionale fino a SIL 3 in accordo a IEC 61508.
- Conforme alla direttiva ATEX 2014/34/UE, certificato ATEX A RICHIESTA.

CERTIFICATIONS

- *In compliance with European Directive 2014/68/EU PED; Fugitive Emission ISO 15848 (ISO FE BH-C03-SSA 0); TA-LUFT VDI 2440; FIRE SAFE: ISO 10497 Third ed. 2010 / API 607 Sixth ed. 2010.*
- *Safety integrity level up to SIL 3 according to the IEC 61508.*
- *In compliance with ATEX 2014/34/EU Directive, ATEX certificate ON REQUEST.*

NORME DI PROGETTAZIONE

- Spessori corpo in accordo a: ASME B16.34, ASME VIII div.1, EN 12516.
- **API 6D (A RICHIESTA).**
- Materiali e rating in accordo ad ASME B16.34 per valvole ANSI ed EN 12516 per valvole PN.

ENGINEERING STANDARD

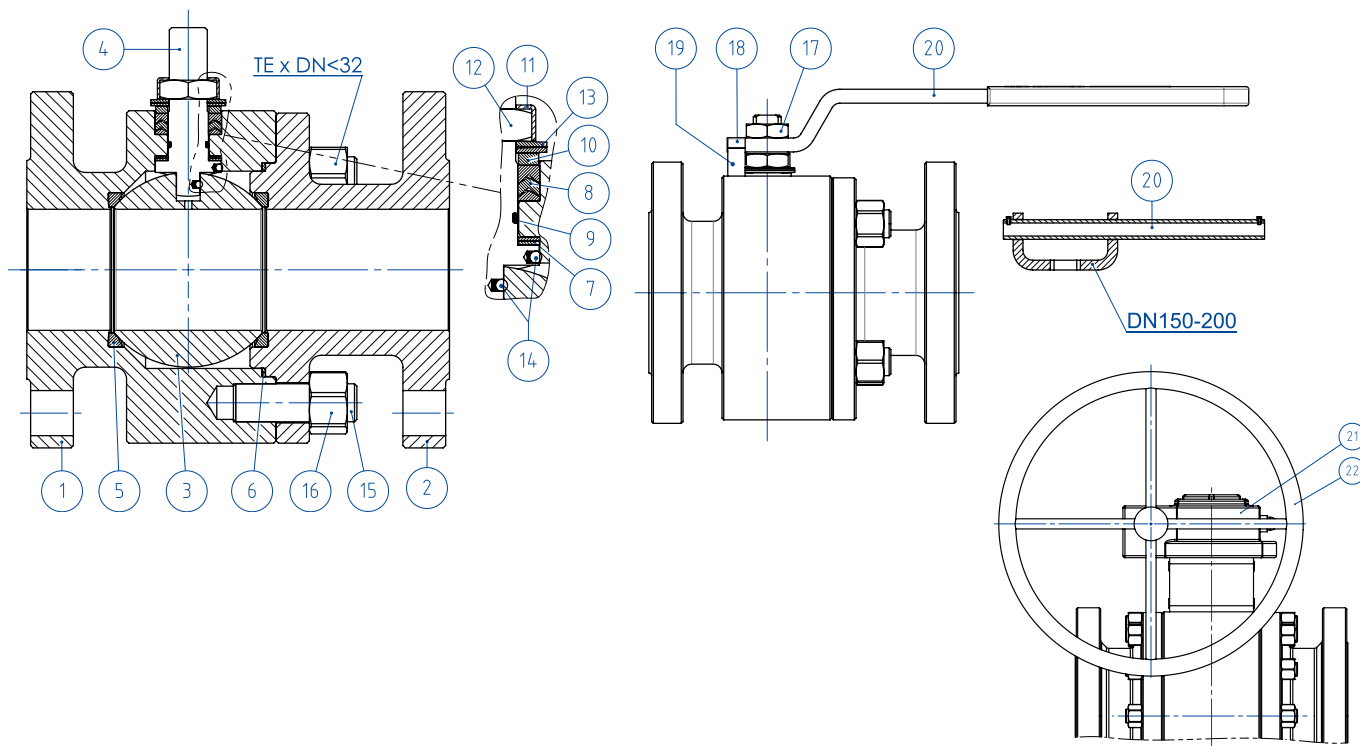
- *Body thickness in compliance with: ASME B16.34, ASME VIII div.1, EN 12516.*
- **API 6D (ON REQUEST).**
- *Materials and rating in compliance with ASME B16.34 for ANSI valves and EN 12516 for PN valves.*



THOR SPLIT BODY - PN16-40 ANSI 150-300

ACCIAIO INOX STAINLESS STEEL

TABELLA DEI MATERIALI MATERIALS TABLE



MATERIALI MATERIALS PN16-40 ANSI 150-300 DA BARRA FROM BAR

N°	Descrizione Description	316 Stainless steel
1	Corpo Body	ASTM A 182 F316 / A479TP316 (1.4401 / X5CrNiMo 17-12-2)
2	Terminale Connector	
3	Sfera Ball	ASTM A351 CF8M (1.4408/Gx5CrNiMo19-12-2)
4	Stelo Stem	A564 TP.630 (17-4PH)
5*	Seggio Seat	PTFE Modificato Modified PTFE (.) (2)
6*	Guarnizione corpo terminale Body-Connector gasket	GRAFOIL
7*	Tenuta inferiore stelo Stem lower sealing	PTFE Modificato Modified PTFE (.)
8*	Guarnizioni tipo Chevron Chevron seals	PTFE Modificato Modified PTFE (.)
9*	O-ring stelo Stem o-ring	FKM (.)
10	Anello premi guarnizione Packing gland ring	304 S.S.
11	Piastra blocca dado Stop nut plate	304 S.S.
12	Dado stelo Stem nut	Acciaio al carbonio zincato Carbon steel galvanized (x)
13	Molle a tazza Springs washer	Acciaio al carbonio zincato Carbon steel galvanized (xx)
14	Dispositivo antistatico Antistatic device	316 S.S.
15	Tiranti Stud bolt	ASTM A193-B8
16	Dadi Nut	ASTM A194-Gr.8
17	Controdado Lock nut	Acciaio al carbonio zincato Carbon steel galvanized (x)
18	Vite di fermo Holder screw	A2-70 (304 S.S.)
19	Fermo di posizione Holder screw	Acciaio al carbonio zincato Carbon steel galvanized (x)
20	Leva Lever	Fe37 zincato-galvanized (x)
21	Riduttore Gear box	Ghisa (verniciato) Cast iron (painted)
22	Volantino Handwheel	Acciaio al carbonio verniciato Carbon steel painted

* Componenti del kit di guarnizioni Components of seals kit

A richiesta disponibile in: Available on request:

(x): 304 s.s.

(xx): 301 s.s.

(2) DEVLON per DN150 PN25-40 - ANSI300, DN200 PN40 DEVLON for DN150 PN25-40 - ANSI300, DN200 PN40

(.): Altri materiali disponibili a richiesta Other materials available on request

**THOR SPLIT BODY - PN16-40 ANSI 150-300****ACCIAIO INOX STAINLESS STEEL****ASSE LIBERO E CON LEVA FREE SHAFT AND WITH LEVER****CODICI VALVOLE IN ACCIAIO INOX: ASSE LIBERO (V_) - CON LEVA (L_) - CON RIDUTTORE (R_) -PN-
STAINLESS STEEL VALVE CODE: FREE SHAFT (V_) - WITH LEVER (L_) - WITH GEARBOX (R_) -PN-**

MISURA SIZE		PN	316 Stainless steel
DN [mm]	SIZE [inch]		
DN 15	1/2"	PN 16-40	V/LT104F03ABA0ADQNV000
DN 20	3/4"	PN 16-40	V/LT105F03ABA0ADQNV000
DN 25	1"	PN 16-40	V/LT106F03ABA0ADQNV000
DN 32	1" 1/4	PN 16-40	V/LT107F03ABA0ADQNV000
DN 40	1" 1/2	PN 16-40	V/LT108F03ABA0AEQNV000
DN 50	2"	PN 16-40	V/LT109F03ABA0AEQNV000
DN 65	2" 1/2	PN 16	V/LT110E03ABA0AEQNV000
DN 65	2" 1/2	PN 25-40	V/LT110I03ABA0AEQNV000
DN 80	3"	PN 16-40	V/LT111F03ABA0AEQNV000
DN 100	4"	PN 16	V/LT112E03ABA0AEQNV000
DN 100	4"	PN 25-40	V/LT112I03ABA0AEQNV000
DN 125	5"	PN 16	V/LT113E03ABA0AEQNV000
DN150(*)	6"	PN 16	V/RT114E03ABA0AEQNV000
DN150	6"	PN 25/40	V/RT114I03ABA0AEMNV000
DN200(*)	8"	PN 16	V/RT115E03ABA0AEQNV000
DN200(*)	8"	PN 25	V/RT115H03ABA0AEQNV000
DN200	8"	PN 40	V/RT115J03ABA0AEMNV000

**CODICI VALVOLE IN ACCIAIO INOX: ASSE LIBERO (V_) - CON LEVA (L_) - CON RIDUTTORE (R_) -ANSI-
STAINLESS STEEL VALVE CODE: FREE SHAFT (V_) - WITH LEVER (L_) - WITH GEARBOX (R_) -ANSI-**

MISURA SIZE		ANSI	316 Stainless steel
DN [mm]	SIZE [inch]		
DN 15	1/2"	ANSI 150	V/LT104104ABA0ADQNV000
DN 15	1/2"	ANSI 300	V/LT104204ABA0ADQNV000
DN 20	3/4"	ANSI 150	V/LT105104ABA0ADQNV000
DN 20	3/4"	ANSI 300	V/LT105204ABA0ADQNV000
DN 25	1"	ANSI 150	V/LT106104ABA0ADQNV000
DN25	1"	ANSI 300	V/LT106204ABA0ADQNV000
DN 32	1" 1/4	ANSI 150	V/LT107104ABA0ADQNV000
DN 32	1" 1/4	ANSI 300	V/LT107204ABA0AEQNV000
DN 40	1" 1/2	ANSI 150	V/LT108104ABA0AEQNV000
DN 40	1" 1/2	ANSI 300	V/LT108204ABA0AEQNV000
DN 50	2"	ANSI 150	V/LT109104ABA0AEQNV000
DN 50	2"	ANSI 300	V/LT109204ABA0AEQNV000
DN 65	2" 1/2	ANSI 150	V/LT110104ABA0AEQNV000
DN 65	2" 1/2	ANSI 300	V/LT110204ABA0AEQNV000
DN 80	3"	ANSI 150	V/LT111104ABA0AEQNV000
DN 80	3"	ANSI 300	V/LT111204ABA0AEQNV000
DN 100	4"	ANSI 150	V/LT112104ABA0AEQNV000
DN 100	4"	ANSI 300	V/LT112204ABA0AEQNV000
DN 125	5"	ANSI 150	V/LT113104ABA0AEQNV000
DN 125	5"	ANSI 300	V/LT113204ABA0AEQNV000
DN150(*)	6"	ANSI 150	V/RT114104ABA0AEQNV000
DN150	6"	ANSI 300	V/RT114204ABA0AEMNV000
DN200(*)	8"	ANSI 150	V/RT115104ABA0AEQNV000

DN200 ANSI300 disponibile a magazzino, contattare ufficio commerciale per verifica condizioni operative.

DN200 ANSI300 on stock, check with our sales department for operating conditions.

Versione STANDARD con riduttore manuale per DN150 e DN200. STANDARD version with manual gearbox for DN150 and DN200.

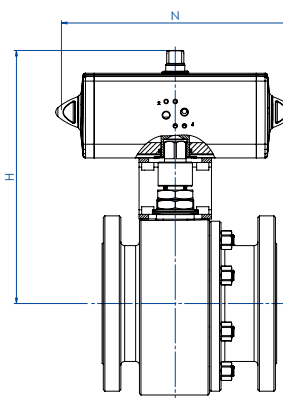
(*) A RICHIESTA versione con leva. ON REQUEST version with manual lever.



THOR SPLIT BODY - PN16-40 ANSI 150-300

ACCIAIO INOX STAINLESS STEEL

CON ATTUATORE PNEUMATICO DA WITH DA PNEUMATIC ACTUATOR



CODICI ARTICOLI IN 316 ACCIAIO INOX -PN- ITEM CODES IN 316 STAINLESS STEEL -PN-

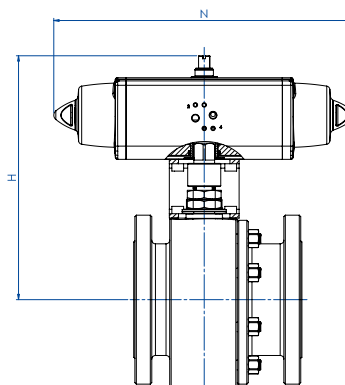
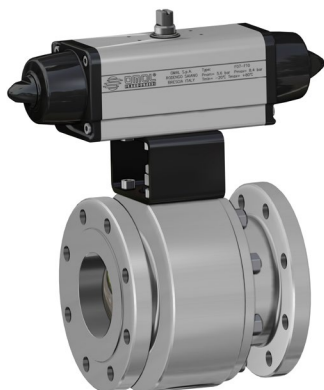
MISURA SIZE		PN	CODICE ARTICOLO -316- ITEM CODE -316-	ATTUATORE ACTUATOR	KIT di montaggio Mounting KIT	N [mm]	H [mm]	Peso Kg Weight Kg
DN [mm]	[inch]							
DN 15	1/2"	PN 16	DT104E03ABA0ADQNV000AFBA0	DAN0015411S	KCNAHD5312	159,0	154,2	4,1
DN 15	1/2"	PN 25-40	DT104I03ABA0ADQNV000AFCA0	DAN0030411S	KCNAHD5312	174,2	161,2	4,4
DN 20	3/4"	PN 16-40	DT105F03ABA0ADQNV000AFCA0	DAN0030411S	KCNAHD5312	174,2	164,2	5,2
DN 25	1"	PN 16-40	DT106F03ABA0ADQNV000AFCA0	DAN0030411S	KCNBCHD5315	174,2	181,2	6,6
DN 32	1 1/4"	PN 16-40	DT107F03ABA0ADQNV000AFDA0	DAN0045412S	KCNBCHD5315	188,5	191,5	9,4
DN 40	1 1/2"	PN 16-40	DT108F03ABA0AEQNV000AFEAO	DAN0060412S	KCNCCHD5316	198,0	208,4	12,3
DN 50	2"	PN 16	DT109E03ABA0AEQNV000AFGA0	DAN0106411S	KCNCCHD5317	237,0	230,3	17,6
DN 50	2"	PN 25-40	DT109I03ABA0AEQNV000AFHA0	DAN0120411S	KCNCCHD5317	244,1	234,0	17,7
DN 65	2 1/2"	PN 16	DT110E03ABA0AEQNV000AFHA0	DAN0120411S	KCNDDHD5386	244,1	250,0	23,7
DN 65	2 1/2"	PN 25-40	DT110I03ABA0AEQNV000AFIA0	DAN0180411S	KCNDDHD5387	289,9	280,5	33,9
DN 80	3"	PN 16	DT111E03ABA0AEQNV000AFIA0	DAN0180411S	KCNDDHD5387	289,9	287,5	31,0
DN 80	3"	PN 25-40	DT111I03ABA0AEQNV000AFJA0	DAN0240411S	KCNDDHD5387	313,6	291,1	33,4
DN 100	4"	PN 16	DT112E03ABA0AEQNV000AFKA0	DAN0360411S	KCNEHD5379	339,3	339,0	46,3
DN 100	4"	PN 25-40	DT112I03ABA0AEQNV000AFLA0	DAN0480411S	KCNEFDH5322	387,6	355,9	70,0
DN 125	5"	PN 16	DT113E03ABA0AEQNV000AFLA0	DAN0480411S	KCNEFDH5332	387,6	361,9	80,2
DN 150	6"	PN 16	DT114E03ABA0AEQNV000AFMA0	DAN0720411S	KCNFGHD5364	433,1	432,0	137,8
DN 150	6"	PN 25-40	DT114I03ABA0AEMNV000AFRA0	DAN1920411S	KCNGGHD5600	601,0	491,7	163,9
DN 200	8"	PN 16	DT115E03ABA0AEQNV000AFQA0	DAN1440411S	KCNGGHD5366	567,1	504,0	226,2
DN 200	8"	PN 25	DT115H03ABA0AEQNV000AFQA0	DAN1440411S	KCNGGHD5366	567,1	504,0	248,2
DN 200	8"	PN 40	DT115J03ABA0AEMNV000AFSA0	DA2880E16D06A	KCNGHHD5367	667,0	647,0	311,6

CODICI ARTICOLI IN 316 ACCIAIO INOX -ANSI- ITEM CODES IN 316 STAINLESS STEEL -ANSI-

MISURA SIZE		ANSI	CODICE ARTICOLO -316- ITEM CODE -316-	ATTUATORE ACTUATOR	KIT di montaggio Mounting KIT	N [mm]	H [mm]	Peso Kg Weight Kg
DN [mm]	[inch]							
DN 15	1/2"	ANSI 150	DT104I04ABA0ADQNV000AFBA0	DAN0015411S	KCNAHD5312	159,0	154,2	4,1
DN 15	1/2"	ANSI 300	DT104204ABA0ADQNV000AFCA0	DAN0030411S	KCNAHD5312	174,2	161,2	4,1
DN 20	3/4"	ANSI 150	DT105I04ABA0ADQNV000AFCA0	DAN0030411S	KCNAHD5312	174,2	164,2	4,5
DN 20	3/4"	ANSI 300	DT105204ABA0ADQNV000AFCA0	DAN0030411S	KCNAHD5312	174,2	164,2	5,6
DN 25	1"	ANSI 150	DT106I04ABA0ADQNV000AFCA0	DAN0030411S	KCNBCHD5315	174,2	181,2	6,1
DN 25	1"	ANSI 300	DT106204ABA0ADQNV000AFCA0	DAN0030411S	KCNBCHD5315	174,2	181,2	7,5
DN 32	1 1/4"	ANSI 150	DT107I04ABA0ADQNV000AFDA0	DAN0045412S	KCNBCHD5315	188,5	191,5	8,0
DN 32	1 1/4"	ANSI 300	DT107204ABA0AEQNV000AFDA0	DAN0045412S	KCNBCHD5315	188,5	191,5	10,5
DN 40	1 1/2"	ANSI 150	DT108I04ABA0AEQNV000AFEAO	DAN0060412S	KCNCCHD5316	198,0	208,4	11,7
DN 40	1 1/2"	ANSI 300	DT108204ABA0AEQNV000AFEAO	DAN0060412S	KCNCCHD5316	198,0	208,4	14,3
DN 50	2"	ANSI 150	DT109I04ABA0AEQNV000AFGA0	DAN0106411S	KCNCCHD5317	237,0	230,3	16,6
DN 50	2"	ANSI 300	DT109204ABA0AEQNV000AFHA0	DAN0120411S	KCNCCHD5317	244,1	234,0	19,9
DN 65	2 1/2"	ANSI 150	DT110I04ABA0AEQNV000AFHA0	DAN0120411S	KCNDDHD5386	244,1	250,0	26,6
DN 65	2 1/2"	ANSI 300	DT110204ABA0AEQNV000AFIA0	DAN0180411S	KCNDDHD5387	289,9	280,5	33,0
DN 80	3"	ANSI 150	DT111I04ABA0AEQNV000AFIA0	DAN0180411S	KCNDDHD5387	289,9	287,5	32,7
DN 80	3"	ANSI 300	DT111204ABA0AEQNV000AFJA0	DAN0240411S	KCNDDHD5320	313,6	291,1	45,2
DN 100	4"	ANSI 150	DT112I04ABA0AEQNV000AFKA0	DAN0360411S	KCNEHD5379	339,3	339,0	54,3
DN 100	4"	ANSI 300	DT112204ABA0AEQNV000AFLA0	DAN0480411S	KCNEFDH5322	387,6	355,9	79,9
DN 125	5"	ANSI 150	DT113I04ABA0AEQNV000AFLA0	DAN0480411S	KCNEFDH5332	387,6	361,9	74,2
DN 125	5"	ANSI 300	DT113204ABA0AEQNV000AFMA0	DAN0720411S	KCNEFDH5348	433,1	383,0	108,7
DN 150	6"	ANSI 150	DT114I04ABA0AEQNV000AFMA0	DAN0720411S	KCNFGHD5364	433,1	432,0	142,8
DN 150	6"	ANSI 300	DT114204ABA0AEMNV000AFRA0	DAN1920411S	KCNGGHD5600	601,0	491,7	185,9
DN 200	8"	ANSI 150	DT115I04ABA0AEQNV000AFQA0	DAN1440411S	KCNGGHD5366	567,1	504,0	238,2



THOR SPLIT BODY - PN16-40 ANSI 150-300
ACCIAIO INOX STAINLESS STEEL
CON ATTUATORE PNEUMATICO SR WITH SR PNEUMATIC ACTUATOR



CODICI ARTICOLI IN 316 ACCIAIO INOX -PN- ITEM CODES IN 316 STAINLESS STEEL -PN-

MISURA SIZE		PN	CODICE ARTICOLO -316- ITEM CODE -316-	ATTUATORE ACTUATOR	KIT di montaggio Mounting KIT	N [mm]	H [mm]	Peso Kg Weight Kg
DN [mm]	[inch]							
DN 15	1/2"	PN 16	ST104E03ABA0ADQNV000AFCA0	SRN0015401S	KCNAHD5312	233,2	161,2	4,6
DN 15	1/2"	PN 25-40	ST104I03ABA0ADQNV000AFEA0	SRN0030402S	KCNACHD5324	258,8	182,4	6,3
DN 20	3/4"	PN 16-40	ST105F03ABA0ADQNV000AFEA0	SRN0030402S	KCNACHD5324	258,8	185,4	7,7
DN 25	1"	PN 16-40	ST106F03ABA0ADQNV000AFEA0	SRN0030402S	KCNBCHD5327	258,8	192,4	7,8
DN 32	1" 1/4	PN 16-40	ST107F03ABA0ADQNV000AFGA0	SRN0053401S	KCNBCHD5328	304,2	210,3	11,3
DN 40	1" 1/2	PN 16-40	ST108F03ABA0AEQNV000AFHA0	SRN0060401S	KCNCCHD5317	338,5	225,0	14,1
DN 50	2"	PN 16	ST109E03ABA0AEQNV000AFIA0	SRN0090401S	KCNCDDH5329	393,7	264,5	21,3
DN 50	2"	PN 25-40	ST109I03ABA0AEQNV000AFJA0	SRN0120401S	KCNCDDH5329	409,6	268,1	22,2
DN 65	2" 1/2	PN 16	ST110E03ABA0AEQNV000AFJA0	SRN0120401S	KCNDHDD5387	409,6	284,1	28,1
DN 65	2" 1/2	PN 25-40	ST110I03ABA0AEQNV000AFKA0	SRN0180401S	KCNDHDD5387	474,0	291,0	38,2
DN 80	3"	PN 16	ST111E03ABA0AEQNV000AFKA0	SRN0180401S	KCNDHDD5387	474,0	298,0	35,3
DN 80	3"	PN 25-40	ST111I03ABA0AEQNV000AFLA0	SRN0240401S	KCNDEHD5388	520,5	335,0	39,0
DN 100	4"	PN 16	ST112E03ABA0AEQNV000AFMA0	SRN0360401S	KCNEFHD5322	613,0	369,0	57,1
DN 100	4"	PN 25-40	ST112I03ABA0AEQNV000AFNA0	SRN0480401S	KCNEFHD5392	648,2	389,0	83,6
DN 125	5"	PN 16	ST113E03ABA0AEQNV000AFNA0	SRN0480401S	KCNEFHD5333	648,2	395,0	93,8
DN 150	6"	PN 16	ST114E03ABA0AEQNV000AFQA0	SRN0720401S	KCNGGHD5368	798,0	470,0	159,6
DN 150	6"	PN 25-40	ST114I03ABA0AEMNV000AFVA0	SR1920E1608A	KCNGHHD5349	1001,0	568,5	198,2
DN 200	8"	PN 16	ST115E03ABA0AEQNV000AFSA0	SR1440E16D8A	KCNGHHD5370	834,0	647,0	278,2
DN 200	8"	PN 25	ST115H03ABA0AEQNV000AFSA0	SR1440E16D8A	KCNGHHD5370	834,0	647,0	300,2
DN 200	8"	PN 40	ST115J03ABA0AEMNV000AFWA0	SR2880E16D8A	KCNGHHD5367	1201,0	654,0	373,3

CODICI ARTICOLI IN 316 ACCIAIO INOX -ANSI- ITEM CODES IN 316 STAINLESS STEEL -ANSI-

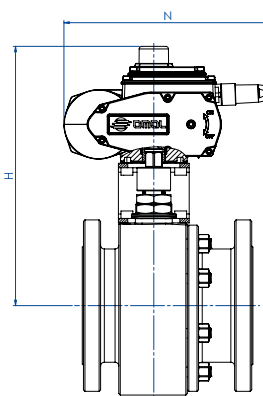
MISURA SIZE		ANSI	CODICE ARTICOLO -316- ITEM CODE -316-	ATTUATORE ACTUATOR	KIT di montaggio Mounting KIT	N [mm]	H [mm]	Peso Kg Weight Kg
DN [mm]	[inch]							
DN 15	1/2"	ANSI 150	ST104104ABA0ADQNV000AFCA0	SRN0015401S	KCNAHD5312	233,2	161,2	4,6
DN 15	1/2"	ANSI 300	ST104204ABA0ADQNV000AFEA0	SRN0030402S	KCNACHD5324	258,8	182,4	5,2
DN 20	3/4"	ANSI 150	ST105104ABA0ADQNV000AFEA0	SRN0030402S	KCNACHD5324	258,8	185,4	5,6
DN 20	3/4"	ANSI 300	ST105204ABA0ADQNV000AFEA0	SRN0030402S	KCNACHD5324	258,8	185,4	6,7
DN 25	1"	ANSI 150	ST106104ABA0ADQNV000AFEA0	SRN0030402S	KCNBCHD5327	258,8	192,4	7,1
DN 25	1"	ANSI 300	ST106204ABA0ADQNV000AFEA0	SRN0030402S	KCNBCHD5327	258,8	192,4	8,5
DN 32	1" 1/4	ANSI 150	ST107104ABA0ADQNV000AFGA0	SRN0053401S	KCNBCHD5328	304,2	210,3	9,9
DN 32	1" 1/4	ANSI 300	ST107204ABA0AEQNV000AFGA0	SRN0053401S	KCNBCHD5328	304,2	210,3	12,4
DN 40	1" 1/2	ANSI 150	ST108104ABA0AEQNV000AFHA0	SRN0060401S	KCNCCHD5317	338,5	225,0	13,5
DN 40	1" 1/2	ANSI 300	ST108204ABA0AEQNV000AFHA0	SRN0060401S	KCNCCHD5317	338,5	225,0	16,1
DN 50	2"	ANSI 150	ST109104ABA0AEQNV000AFIA0	SRN0090401S	KCNCDDH5329	393,7	264,5	20,3
DN 50	2"	ANSI 300	ST109204ABA0AEQNV000AFJA0	SRN0120401S	KCNCDDH5329	409,6	268,1	24,4
DN 65	2" 1/2	ANSI 150	ST110104ABA0AEQNV000AFJA0	SRN0120401S	KCNDHDD5387	409,6	284,1	30,9
DN 65	2" 1/2	ANSI 300	ST110204ABA0AEQNV000AFKA0	SRN0180401S	KCNDHDD5387	474,0	291,0	37,3
DN 80	3"	ANSI 150	ST111104ABA0AEQNV000AFKA0	SRN0180401S	KCNDHDD5387	474,0	298,0	37,0
DN 80	3"	ANSI 300	ST111204ABA0AEQNV000AFLA0	SRN0240401S	KCNDEHD5331	520,5	341,0	51,8
DN 100	4"	ANSI 150	ST112104ABA0AEQNV000AFMA0	SRN0360401S	KCNEFHD5322	613,0	369,0	65,1
DN 100	4"	ANSI 300	ST112204ABA0AEQNV000AFNA0	SRN0480401S	KCNEFHD5392	648,2	389,0	93,5
DN 125	5"	ANSI 150	ST113104ABA0AEQNV000AFNA0	SRN0480401S	KCNEFHD5333	648,2	395,0	87,8
DN 125	5"	ANSI 300	ST113204ABA0AEQNV000AFQA0	SRN0720401S	KCNEGHD5356	798,0	421,0	130,6
DN 150	6"	ANSI 150	ST114104ABA0AEQNV000AFQA0	SRN0720401S	KCNGGHD5368	798,0	470,0	164,6
DN 150	6"	ANSI 300	ST114204ABA0AEMNV000AFVA0	SR1920E1608A	KCNGHHD5349	1001,0	568,5	220,9
DN 200	8"	ANSI 150	ST115104ABA0AEQNV000AFSA0	SR1440E16D8A	KCNGHHD5370	834,0	647,0	537,2



THOR SPLIT BODY - PN16-40 ANSI 150-300

ACCIAIO INOX STAINLESS STEEL

CON ATTUATORE ELETTRICO WITH ELECTRIC ACTUATOR



CODICI ARTICOLI IN 316 ACCIAIO INOX -PN- ITEM CODES IN 316 STAINLESS STEEL -PN-

MISURA SIZE		PN	CODICE ARTICOLO -316- ITEM CODE -316-	ATTUATORE ACTUATOR	KIT di montaggio Mounting KIT	N [mm]	H [mm]	Peso Kg Weight Kg
DN [mm]	SIZE [inch]							
DN 15	1/2"	PN 16-40	ET104F03ABA0ADQNV000AMEGO	EA0035A5C000	KCNACHD5324	250,0	229,0	7,2
DN 20	3/4"	PN 16-40	ET105F03ABA0ADQNV000AMEGO	EA0035A5C000	KCNACHD5324	250,0	232,0	7,8
DN 25	1"	PN 16-40	ET106F03ABA0ADQNV000AMEGO	EA0035A5C000	KCNBCHD5327	250,0	239,0	9,4
DN 32	1" 1/4	PN 16-40	ET107F03ABA0ADQNV000AMGG0	EA0070A5C000	KCNBCHD5327	250,0	244,0	12,0
DN 40	1" 1/2	PN 16-40	ET108F03ABA0AEQNV000AMGG0	EA0070A5C000	KCNCCHD5316	250,0	255,0	14,5
DN 50	2"	PN 16-40	ET109F03ABA0AEQNV000AMIG0	EA0130A5C000	KCNCCHD5317	280,0	284,5	22,3
DN 65	2" 1/2	PN 16	ET110E03ABA0AEQNV000AMIG0	EA0130A5C000	KCNDDHD5386	280,0	300,5	28,3
DN 65	2" 1/2	PN 25-40	ET110I03ABA0AEQNV000AMKGO	EA0240A5C000	KCNDDHD5387	280,0	300,5	36,8
DN 80	3"	PN 16-40	ET111F03ABA0AEQNV000AMKGO	EA0240A5C000	KCNDDHD5387	280,0	307,5	33,9
DN 100	4"	PN 16	ET112E03ABA0AEQNV000AMNA0	AE160040	KCNEEHV5337	256,5	378,0	49,0
DN 100	4"	PN 25-40	ET112I03ABA0AEQNV000AMNA0	AE160040	KCNEEHV5337	256,5	378,0	68,8
DN 125	5"	PN 16	ET113E03ABA0AEQNV000AMNA0	AE160040	KCNEEHV5336	256,5	382,0	79,0
DN 150	6"	PN 16	ET114E03ABA0AEQNV000AMTA0	AE160100	KCNFGHV5372	381,0	488,0	148,2
DN 150	6"	PN 25-40	ET114I03ABA0AEMNV000AMXA0	AE160200	KCNFGHV5374	381,0	488,0	153,7
DN 200	8"	PN 16	ET115E03ABA0AEQNV000AMTA0	AE160100	KCNFGHV5375	381,0	522,0	225,1
DN 200	8"	PN 25	ET115H03ABA0AEQNV000AMXA0	AE160200	KCNFGHV5376	381,0	522,0	248,0
DN 200	8"	PN 40	ET115J03ABA0AEMNV000AMXA0	AE160200	KCNFGHV5377	381,0	529,0	278,0

CODICI ARTICOLI IN 316 ACCIAIO INOX -ANSI- ITEM CODES IN 316 STAINLESS STEEL -ANSI-

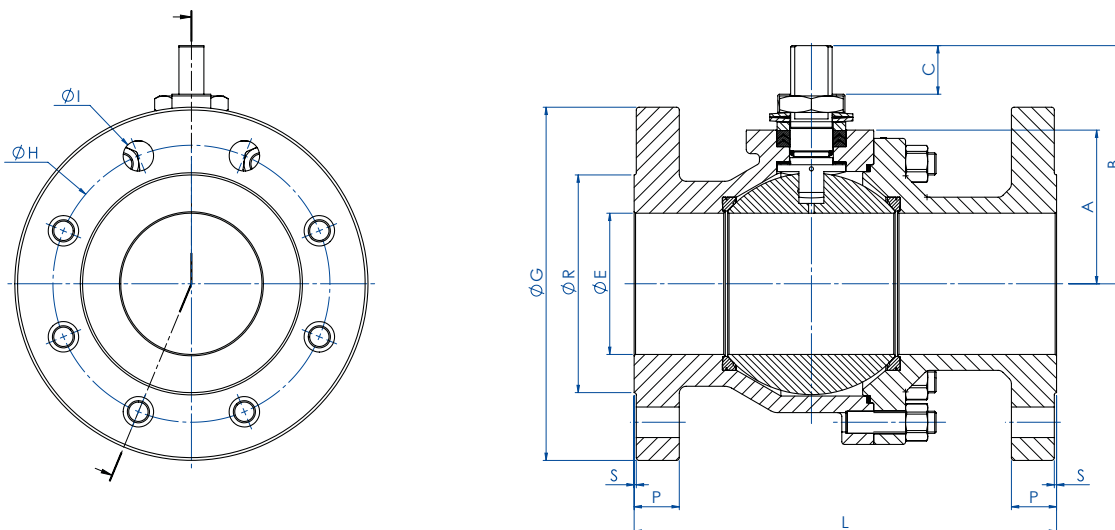
MISURA SIZE		ANSI	CODICE ARTICOLO -316- ITEM CODE -316-	ATTUATORE ACTUATOR	KIT di montaggio Mounting KIT	N [mm]	H [mm]	Peso Kg Weight Kg
DN [mm]	SIZE [inch]							
DN 15	1/2"	ANSI 150	ET104104ABA0ADQNV000AMEGO	EA0035A5C000	KCNACHD5324	250,0	229,0	7,2
DN 15	1/2"	ANSI 300	ET104204ABA0ADQNV000AMEGO	EA0035A5C000	KCNACHD5324	250,0	229,0	6,9
DN 20	3/4"	ANSI 150	ET105104ABA0ADQNV000AMEGO	EA0035A5C000	KCNACHD5324	250,0	232,0	7,3
DN 20	3/4"	ANSI 300	ET105204ABA0ADQNV000AMEGO	EA0035A5C000	KCNACHD5324	250,0	232,0	8,4
DN 25	1"	ANSI 150	ET106104ABA0ADQNV000AMEGO	EA0035A5C000	KCNBCHD5327	250,0	239,0	8,7
DN 25	1"	ANSI 300	ET106204ABA0ADQNV000AMEGO	EA0035A5C000	KCNBCHD5327	250,0	239,0	10,1
DN 32	1" 1/4	ANSI 150	ET107104ABA0ADQNV000AMGG0	EA0070A5C000	KCNBCHD5327	250,0	244,0	10,6
DN 32	1" 1/4	ANSI 300	ET107204ABA0AEQNV000AMGG0	EA0070A5C000	KCNBCHD5327	250,0	244,0	13,1
DN 40	1" 1/2	ANSI 150	ET108104ABA0AEQNV000AMGG0	EA0070A5C000	KCNCCHD5316	250,0	255,0	13,9
DN 40	1" 1/2	ANSI 300	ET108204ABA0AEQNV000AMGG0	EA0070A5C000	KCNCCHD5316	250,0	255,0	16,5
DN 50	2"	ANSI 150	ET109104ABA0AEQNV000AMIG0	EA0130A5C000	KCNCCHD5317	280,0	284,5	21,3
DN 50	2"	ANSI 300	ET109204ABA0AEQNV000AMIG0	EA0130A5C000	KCNCCHD5317	280,0	284,5	24,5
DN 65	2" 1/2	ANSI 150	ET110104ABA0AEQNV000AMIG0	EA0130A5C000	KCNDDHD5386	280,0	300,5	31,2
DN 65	2" 1/2	ANSI 300	ET110204ABA0AEQNV000AMKGO	EA0240A5C000	KCNDDHD5387	280,0	300,5	35,9
DN 80	3"	ANSI 150	ET111104ABA0AEQNV000AMKGO	EA0240A5C000	KCNDDHD5387	280,0	307,5	35,6
DN 80	3"	ANSI 300	ET111204ABA0AEQNV000AMKGO	EA0240A5C000	KCNDDHD5320	280,0	313,5	47,3
DN 100	4"	ANSI 150	ET112104ABA0AEQNV000AMNA0	AE160040	KCNEEHV5337	256,5	376,0	57,0
DN 100	4"	ANSI 300	ET112204ABA0AEQNV000AMNA0	AE160040	KCNEEHV5337	256,5	376,0	78,7
DN 125	5"	ANSI 150	ET113104ABA0AEQNV000AMNA0	AE160040	KCNEEHV5336	256,5	382,0	73,0
DN 125	5"	ANSI 300	ET113204ABA0AEQNV000AMRA0	AE160060	KCNEEHV5362	381,0	439,0	118,1
DN 150	6"	ANSI 150	ET114104ABA0AEQNV000AMTA0	AE160100	KCNFGHV5372	381,0	488,0	153,2
DN 150	6"	ANSI 300	ET114204ABA0AEMNV000AMXA0	AE160200	KCNFGHV5374	381,0	488,0	175,7
DN 200	8"	ANSI 150	ET115104ABA0AEQNV000AMTA0	AE160100	KCNFGHV5375	381,0	522,0	237,1

Articoli disponibili anche con attuatore modulante Items available also with modulating actuator



THOR SPLIT BODY ANSI 150-300

ACCIAIO INOX DA FUSIONE *CASTING STAINLESS STEEL*



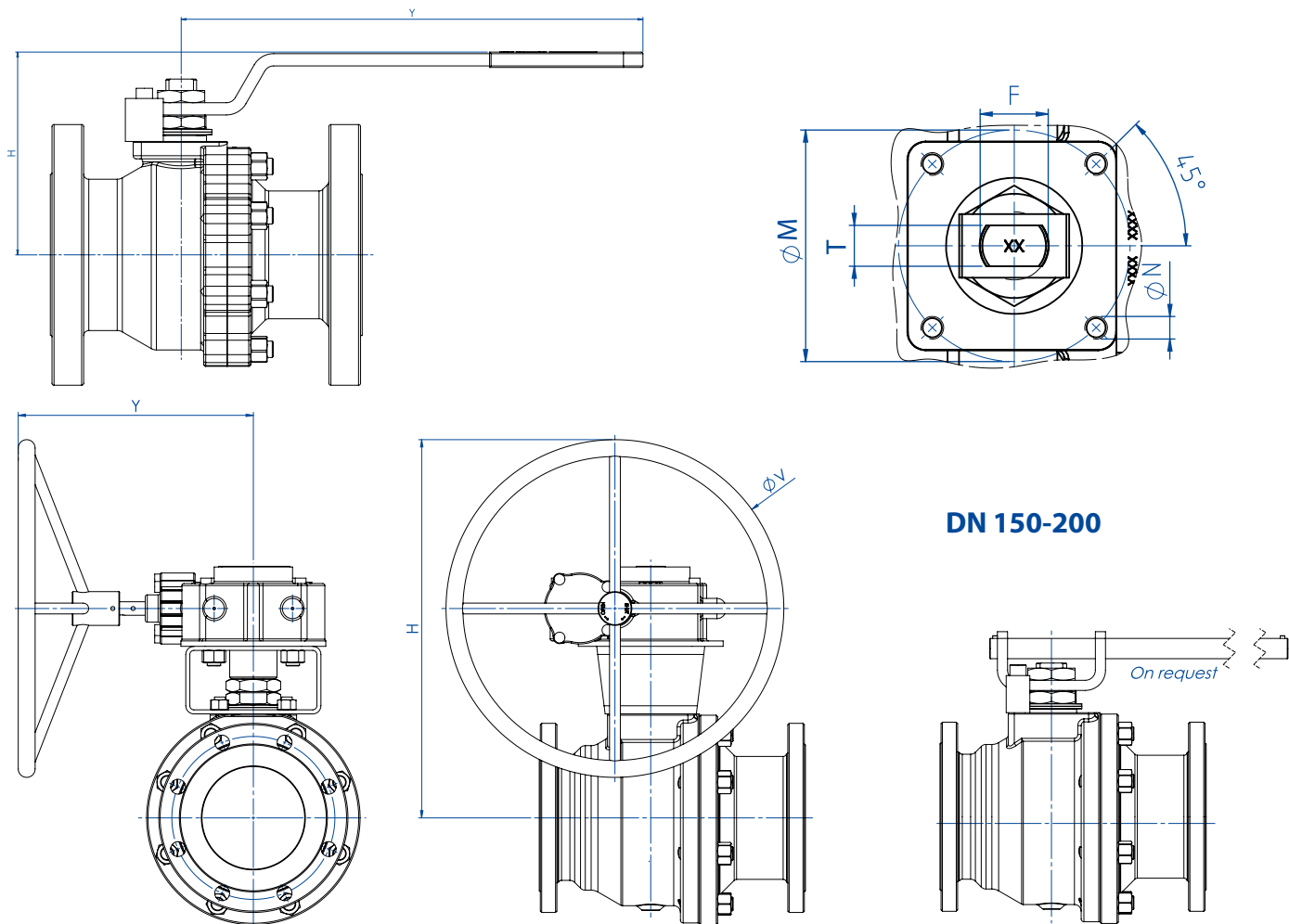
MISURA		DIMENSIONI ASSE NUDO FREE SHAFT DIMENSIONS													
DN [mm]	SIZE [inch]	ANSI	A	B	C	ØG	ØR	S	P	ØH	N° FORI HOLES N°	ØI	L (4)	Kg	KIT GUARNIZIONI SEALS KIT
DN 15	1/2"	ANSI 150	32	52	10	90	35	1,6	11,6	60,3	4	16	108	1,8	KGBV485040
DN 15	1/2"	ANSI 300	32	52	10	95	35	1,6	15,3	66,7	4	16	140	2,5	KGBV485040
DN 20	3/4"	ANSI 150	35	55	10	100	43	1,6	13,6	70	4	16	117	2,5	KGBV485050
DN 20	3/4"	ANSI 300	35	55	10	100	43	1,6	17,1	82,6	4	19	152	3,7	KGBV485050
DN 25	1"	ANSI 150	42	68	15	110	50,8	1,6	14,8	79,4	4	16	127	3,3	KGBV485060
DN 25	1"	ANSI 300	42	68	15	125	50,8	1,6	18,1	88,9	4	19	165	4,6	KGBV485060
DN 32	1 1/4"	ANSI 150	47	73	15	117	63,5	1,6	17,6	88,9	4	16	140	4,5	KGBV485070
DN 32	1 1/4"	ANSI 300	47	73	15	133	63,5	1,6	20,6	98,6	4	19	178	6,6	KGBV485070
DN 40	1 1/2"	ANSI 150	58	93	21	125	73	1,6	18,6	98,4	4	16	165	6,5	KGBV485080
DN 40	1 1/2"	ANSI 300	58	93	21	155	73	1,6	21,6	114,3	4	22	190	8,9	KGBV485080
DN 50	2"	ANSI 150	67	102	21	150	92,1	1,6	20,6	120,7	4	19	178	10,3	KGBV485090
DN 50	2"	ANSI 300	67	102	21	165	92,1	1,6	22,6	127	8	19	216	12,6	KGBV485090
DN 65	2 1/2"	ANSI 150	83	130,5	28,5	178	104,6	1,6	23,6	139,7	4	19	191	15,7	KGBV485100
DN 65	2 1/2"	ANSI 300	83	130,5	28,5	190	104,6	1,6	26,6	149,4	8	22	241	19,6	KGBV485100
DN 80	3"	ANSI 150	90	137,5	28,5	190	127	1,6	24,6	152,4	4	19	203	19,6	KGBV485110
DN 80	3"	ANSI 300	90	137,5	28,5	210	127	1,6	29,6	168,3	8	22	282	26,7	KGBV485110
DN 100	4"	ANSI 150	111	172	35	230	157,2	1,6	25,1	190,5	8	19	229	33,0	KGBV485112
DN 100	4"	ANSI 300	111	172	35	255	157,2	1,6	32,6	200	8	22	305	46,3	KGBV485112
DN 150	6"	ANSI 150	154	227,5	40,5	280	216	1,6	26,1	241,3	8	22	394	88,7	KGBVVT1140
DN 150	6"	ANSI 300	154	227,5	40,5	320	216	1,6	37,6	269,9	12	22	403	110,0	KGBVVT114D
DN 200	8"	ANSI 150	192	274	44,8	345	270	1,6	29,6	298,5	8	22	457	161,7	KGBVVT1150

(4) B16.10 / API6D



THOR SPLIT BODY ANSI 150-300

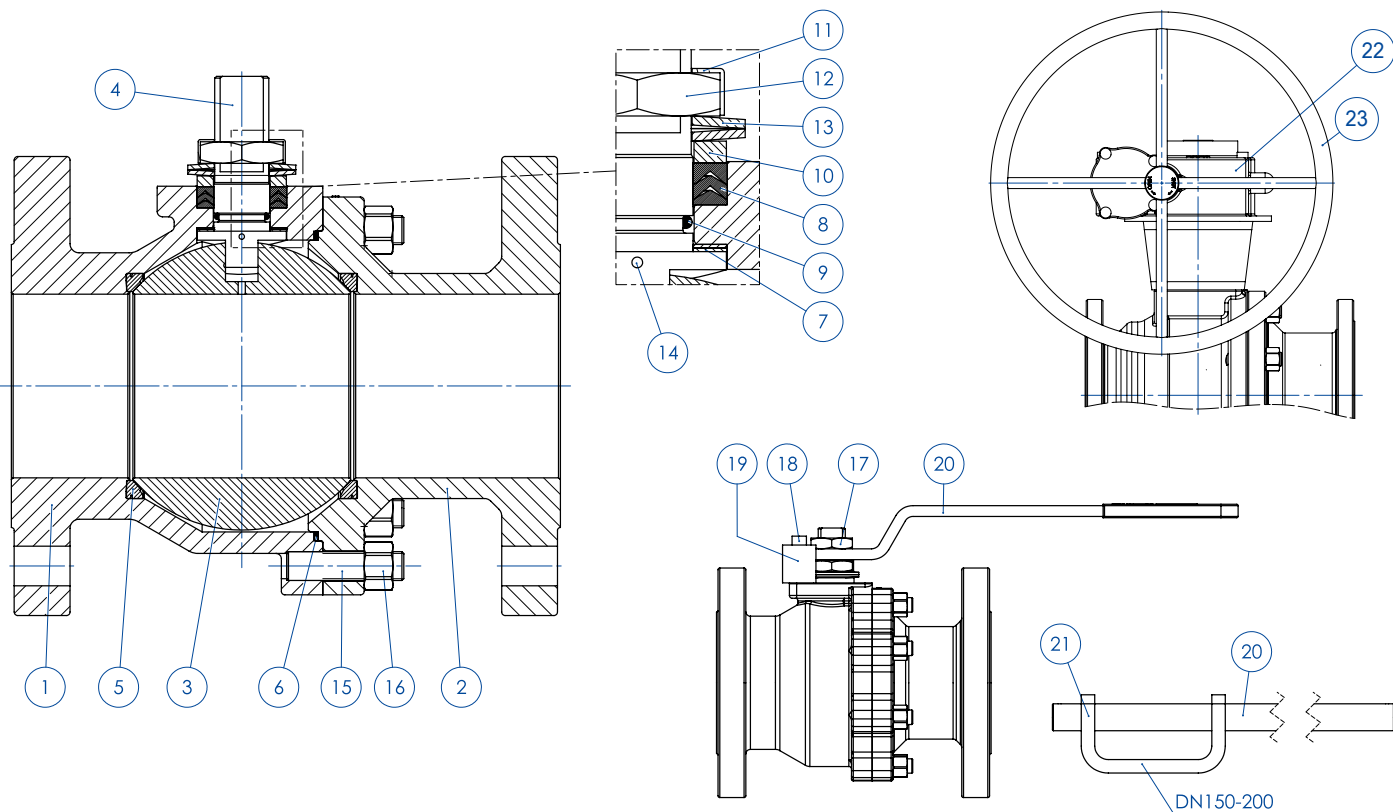
ACCIAIO INOX DA FUSIONE CASTING STAINLESS STEEL



MISURA SIZE		DIMENSIONI CON LEVA WITH LEVER DIMENSIONS									
DN [mm]	[inch]	ANSI	H	Y	ØV	ØM	ØN	F/T	ATT. ISO	Kg	KIT LEVA LEVER KIT
DN 15	1/2"	ANSI 150	71	141,5	---	36	M5	10/6	F03	2	KLV58004
DN 15	1/2"	ANSI 300	71	141,5	---	36	M5	10/6	F03	2,7	KLV58004
DN 20	3/4"	ANSI 150	74	141,5	---	36	M5	10/6	F03	2,7	KLV58004
DN 20	3/4"	ANSI 300	74	141,5	---	36	M5	10/6	F03	3,9	KLV58004
DN 25	1"	ANSI 150	87	152	---	42	M5	12/8	F04	3,5	KLV58006
DN 25	1"	ANSI 300	87	152	---	42	M5	12/8	F04	5	KLV58006
DN 32	1 1/4"	ANSI 150	92	152	---	42	M5	12/8	F04	4,9	KLV58006
DN 32	1 1/4"	ANSI 300	92	152	---	42	M5	12/8	F04	7	KLV58006
DN 40	1 1/2"	ANSI 150	109	277	---	50	M6	16/10	F05	7,2	KLV58008
DN 40	1 1/2"	ANSI 300	109	277	---	50	M6	16/10	F05	9,4	KLV58008
DN 50	2"	ANSI 150	118	277	---	50	M6	16/10	F05	11	KLV58008
DN 50	2"	ANSI 300	118	277	---	50	M6	16/10	F05	13,5	KLV58008
DN 65	2 1/2"	ANSI 150	143	352	---	70	M8	22/14	F07	17	KLV58010
DN 65	2 1/2"	ANSI 300	143	352	---	70	M8	22/14	F07	21	KLV58010
DN 80	3"	ANSI 150	150	352	---	70	M8	22/14	F07	21	KLV58010
DN 80	3"	ANSI 300	150	352	---	70	M8	22/14	F07	28	KLV58010
DN 100	4"	ANSI 150	198	452	---	102	M10	30/18	F10	36	KLV58012
DN 100	4"	ANSI 300	198	452	---	102	M10	30/18	F10	50	KLV58012
DN 150	6"	ANSI 150	502	326	400	140	M16	45/30	F14	126	---
DN 150	6"	ANSI 300	560	347	500	140	M16	45/30	F14	147	---
DN 200	8"	ANSI 150	590	347	500	140	M16	52/35	F14	200	---



THOR SPLIT BODY - ANSI 150-300
ACCIAIO INOX DA FUSIONE CASTING STAINLESS STEEL
TABELLA DEI MATERIALI MATERIALS TABLE



MATERIALI MATERIALS
ANSI 150-300 DA FUSIONE CASTING

N°	Descrizione Description	CF8M Stainless steel
1	Corpo Body	ASTM A351 CF8M (1.4408/Gx5CrNiMo19-12-2)
2	Terminale Connector	
3	Sfera Ball	ASTM A351 CF8M (1.4408/Gx5CrNiMo19-12-2)
4	Stelo Stem	A564 TP.630 (17-4PH)
5*	Seggio Seat	PTFE Modificato Modified PTFE (.) (2)
6*	Guarnizione corpo terminale Body-Connector gasket	GRAFOIL
7*	Tenuta inferiore stelo Stem lower sealing	PTFE Modificato Modified PTFE (.)
8*	Guarnizioni tipo Chevron Chevron seals	PTFE Modificato Modified PTFE (.)
9*	O-ring stelo Stem o-ring	FKM (.)
10	Anello premi guarnizione Packing gland ring	304 S.S.
11	Piastra blocca dado Stop nut plate	304 S.S.
12	Dado stelo Stem nut	Acciaio al carbonio zincato Carbon steel galvanized (x)
13	Molle a tazza Springs washer	Acciaio al carbonio zincato Carbon steel galvanized (xx)
14	Dispositivo antistatico Antistatic device	316 S.S.
15	Tiranti Stud bolt	ASTM A193-B8
16	Dadi Nut	ASTM A194-Gr.8
17	Controdado Lock nut	Acciaio al carbonio zincato Carbon steel galvanized (x)
18	Vite di fermo Holder screw	A2-70 (304 S.S.)
19	Fermo di posizione Holder screw	Acciaio al carbonio zincato Carbon steel galvanized (x)
20	Leva Lever	Fe37 Zincato - Galvanized
21	Sede Leva Seat Lever	Fe37 Zincato - Galvanized
22	Riduttore Gear box	Ghisa (verniciato) Cast iron (painted)
23	Volantino Handwheel	Acciaio al carbonio verniciato Carbon steel painted

* Componenti del kit di guarnizioni Components of seals kit

A richiesta disponibile in: Available on request:

(x): 304 s.s.

(xx): 301 s.s.

(2) DEVLON per DN150 - ANSI300 DEVLON for DN150 - ANSI300

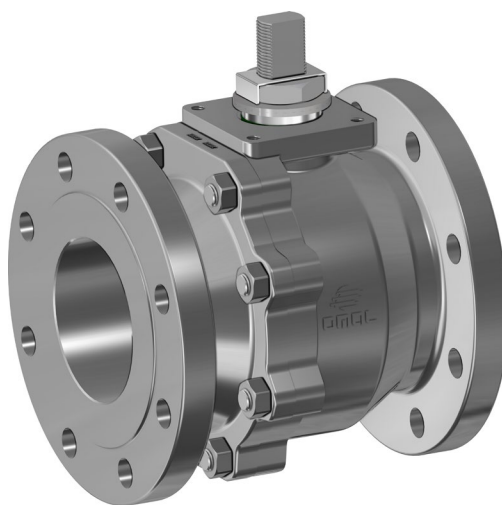
(.): Altri materiali disponibili a richiesta Other materials available on request



THOR SPLIT BODY - ANSI 150-300

ACCIAIO INOX DA FUSIONE *CASTING STAINLESS STEEL*

ASSE LIBERO E CON RIDUTTORE *FREE SHAFT AND WITH GEAR BOX*



CODICI VALVOLE ASSE LIBERO (V_) E CON RIDUTTORE (R_) IN ACCIAIO INOX DA FUSIONE CASTING STAINLESS STEEL BARE SHAFT (V_) AND WITH GEAR BOX (R_) OPERATED VALVE CODE

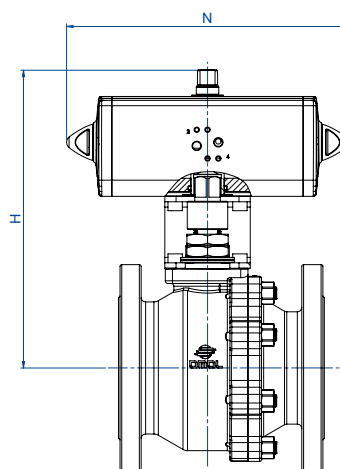
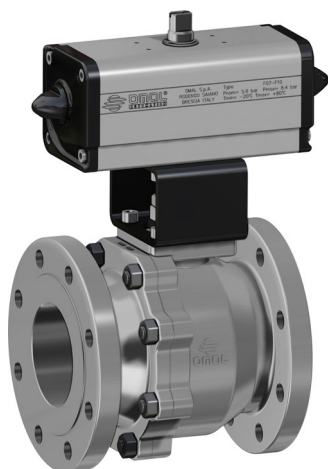
MISURA SIZE		ANSI	CODICE ARTICOLO -CF8M- ITEM CODE -CF8M-
DN [mm]	[inch]		
DN 15	1/2"	ANSI 150	V/LT104104AEA0ADQNV000
DN 15	1/2"	ANSI 300	V/LT104204AEA0ADQNV000
DN 20	3/4"	ANSI 150	V/LT105104AEA0ADQNV000
DN 20	3/4"	ANSI 300	V/LT105204AEA0ADQNV000
DN 25	1"	ANSI 150	V/LT106104AEA0ADQNV000
DN 25	1"	ANSI 300	V/LT106204AEA0ADQNV000
DN 32	1"1/4	ANSI 150	V/LT107104AEA0ADQNV000
DN 32	1"1/4	ANSI 300	V/LT107204AEA0AEQNV000
DN 40	1" 1/2	ANSI 150	V/LT108104AEA0AEQNV000
DN 40	1" 1/2	ANSI 300	V/LT108204AEA0AEQNV000
DN 50	2"	ANSI 150	V/LT109104AEA0AEQNV000
DN 50	2"	ANSI 300	V/LT109204AEA0AEQNV000
DN 65	2" 1/2	ANSI 150	V/LT110104AEA0AEQNV000
DN 65	2" 1/2	ANSI 300	V/LT110204AEA0AEQNV000
DN 80	3"	ANSI 150	V/LT111104AEA0AEQNV000
DN 80	3"	ANSI 300	V/LT111204AEA0AEQNV000
DN 100	4"	ANSI 150	V/LT112104AEA0AEQNV000
DN 100	4"	ANSI 300	V/LT112204AEA0AEQNV000
DN 150	6"	ANSI 150	V/RT114104AEA0AEQNV000
DN 150	6"	ANSI 300	V/RT114204AEA0AEMNV000
DN 200	8"	ANSI 150	V/RT115104AEA0AEQNV000

DN200 ANSI300 disponibile a magazzino, contattare ufficio commerciale per verifica condizioni operative.
DN200 ANSI300 on stock, check with our sales department for operating conditions.

Versione STANDARD con riduttore manuale per DN150 e DN200. STANDARD version with manual gearbox for DN150 and DN200.
(*) A RICHIESTA versione con leva. ON REQUEST version with manual lever.



THOR SPLIT BODY - ANSI 150-300
ACCIAIO INOX DA FUSIONE CASTING STAINLESS STEEL
CON ATTUATORE PNEUMATICO DA WITH DA PNEUMATIC ACTUATOR



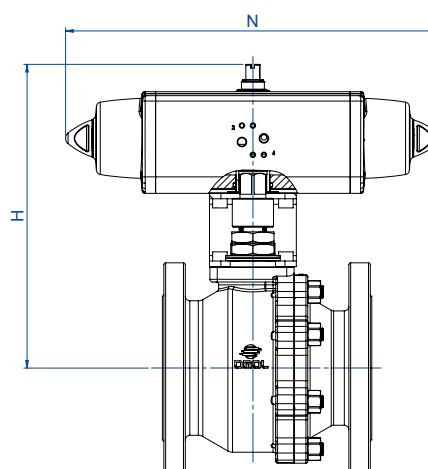
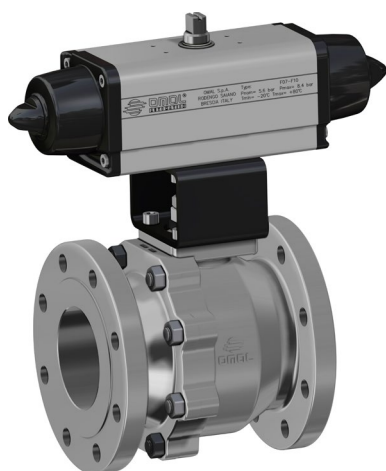
MISURA SIZE			CODICI ARTICOLI IN CF8M ACCIAIO INOX		ITEM CODES IN CF8M STAINLESS STEEL				
DN [mm]	[inch]	ANSI	CODICE ARTICOLO	ATTUATORE	KIT di montaggio	N [mm]	H [mm]	Peso Kg	
			ITEM CODE	ACTUATOR	Mounting KIT				
DN 15	1/2"	ANSI 150	DT104104AEA0ADQNV000AFBA0	DAN0015411S	KCNAHD5312	159,0	154,2	2,9	
DN 15	1/2"	ANSI 300	DT104204AEA0ADQNV000AFCA0	DAN0030411S	KCNAHD5312	174,2	161,2	3,9	
DN 20	3/4"	ANSI 150	DT105104AEA0ADQNV000AFCA0	DAN0030411S	KCNAHD5312	174,2	164,2	3,9	
DN 20	3/4"	ANSI 300	DT105204AEA0ADQNV000AFCA0	DAN0030411S	KCNAHD5312	174,2	164,2	5,1	
DN 25	1"	ANSI 150	DT106104AEA0ADQNV000AFCA0	DAN0030411S	KCNBCHD5315	174,2	181,2	4,9	
DN 25	1"	ANSI 300	DT106204AEA0ADQNV000AFCA0	DAN0030411S	KCNBCHD5315	174,2	181,2	6,2	
DN 32	1"1/4	ANSI 150	DT107104AEA0ADQNV000AFDA0	DAN0045412S	KCNBCHD5315	188,5	191,5	6,3	
DN 32	1"1/4	ANSI 300	DT107204AEA0AEQNV000AFDA0	DAN0045412S	KCNBCHD5315	188,5	191,5	8,8	
DN 40	1" 1/2	ANSI 150	DT108104AEA0AEQNV000AFEA0	DAN0060412S	KCNCCHD5316	198,0	208,4	8,8	
DN 40	1" 1/2	ANSI 300	DT108204AEA0AEQNV000AFEA0	DAN0060412S	KCNCCHD5316	198,0	208,4	11,2	
DN 50	2"	ANSI 150	DT109104AEA0AEQNV000AFGA0	DAN0106411S	KCNCCHD5317	237,0	230,3	13,6	
DN 50	2"	ANSI 300	DT109204AEA0AEQNV000AFHA0	DAN0120411S	KCNCCHD5317	244,0	234,0	16,0	
DN 65	2" 1/2	ANSI 150	DT110104AEA0AEQNV000AFHA0	DAN0120411S	KCNDDHD5386	244,0	250,0	19,2	
DN 65	2" 1/2	ANSI 300	DT110204AEA0AEQNV000AFIA0	DAN0180411S	KCNDDHD5387	289,9	280,5	25,3	
DN 80	3"	ANSI 150	DT111104AEA0AEQNV000AFIA0	DAN0180411S	KCNDDHD5898	290,0	287,5	25,8	
DN 80	3"	ANSI 300	DT111204AEA0AEQNV000AFJA0	DAN0240411S	KCNDDHD5898	313,6	291,0	33,2	
DN 100	4"	ANSI 150	DT112104AEA0AEQNV000AFKA0	DAN0360411S	KCNEEHD5901	339,3	339,0	41,8	
DN 100	4"	ANSI 300	DT112204AEA0AEQNV000AFLA0	DAN0480411S	KCNEFHD5902	387,7	356,0	58,6	
DN 150	6"	ANSI 150	DT114104AEA0AEQNV000AFMA0	DAN0720411S	KCNFGHD5364	433,0	433,0	142,8	
DN 150	6"	ANSI 300	DT114204AEA0AEMNV000AFRA0	DAN1920411S	KCNGGHD5600	601,0	491,7	185,9	
DN 200	8"	ANSI 150	DT115104AEA0AEQNV000AFQA0	DAN1440411S	KCNGGHD5366	567,0	504,0	238,2	



THOR SPLIT BODY ANSI 150-300

ACCIAIO INOX DA FUSIONE *CASTING STAINLESS STEEL*

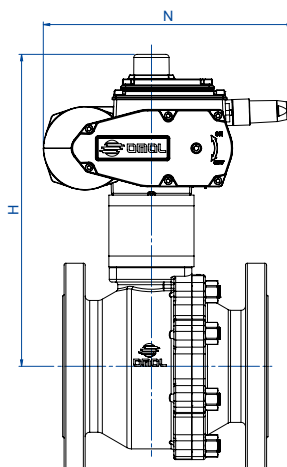
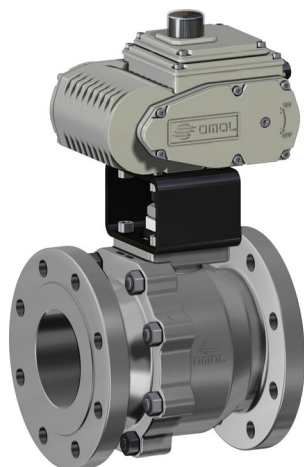
CON ATTUATORE PNEUMATICO SR *WITH SR PNEUMATIC ACTUATOR*



MISURA <i>SIZE</i>		CODICI ARTICOLI IN CF8M ACCIAIO INOX <i>ITEM CODES IN CF8M STAINLESS STEEL</i>							
DN [mm]	[inch]	ANSI	CODICE ARTICOLO <i>ITEM CODE</i>	ATTUATORE <i>ACTUATOR</i>	KIT di montaggio <i>Mounting KIT</i>	N [mm]	H [mm]	Peso Kg <i>Weight Kg</i>	
DN 15	1/2"	ANSI 150	ST104104AEA0ADQNV000AFCA0	SRN0015401S	KCNAAHD5312	233,2	161,2	3,4	
DN 15	1/2"	ANSI 300	ST104204AEA0ADQNV000AFEAO	SRN0030402S	KCNACHD5324	258,8	182,4	4,9	
DN 20	3/4"	ANSI 150	ST105104AEA0ADQNV000AFEAO	SRN0030402S	KCNACHD5324	258,8	185,4	4,9	
DN 20	3/4"	ANSI 300	ST105204AEA0ADQNV000AFEAO	SRN0030402S	KCNACHD5324	258,8	185,4	6,1	
DN 25	1"	ANSI 150	ST106104AEA0ADQNV000AFEAO	SRN0030402S	KCNBCHD5327	258,8	192,4	5,9	
DN 25	1"	ANSI 300	ST106204AEA0ADQNV000AFEAO	SRN0030402S	KCNBCHD5327	258,8	192,4	7,2	
DN 32	1"1/4	ANSI 150	ST107104AEA0ADQNV000AFGA0	SRN0053401S	KCNBCHD5328	304,2	210,3	7,1	
DN 32	1"1/4	ANSI 300	ST107204AEA0AEQNV000AFGA0	SRN0053401S	KCNBCHD5328	304,2	210,3	10,5	
DN 40	1"1/2	ANSI 150	ST108104AEA0AEQNV000AFHA0	SRN0060401S	KCNCCHD5317	338,5	225,0	10,6	
DN 40	1"1/2	ANSI 300	ST108204AEA0AEQNV000AFHA0	SRN0060401S	KCNCCHD5317	338,5	225,0	13,0	
DN 50	2"	ANSI 150	ST109104AEA0AEQNV000AFIA0	SRN0090401S	KCNCDHD5329	393,7	264,5	17,3	
DN 50	2"	ANSI 300	ST109204AEA0AEQNV000AFJA0	SRN0120401S	KCNCDHD5329	409,6	268,0	20,5	
DN 65	2"1/2	ANSI 150	ST110104AEA0AEQNV000AFJA0	SRN0120401S	KCNDDHD5387	409,6	284,1	23,4	
DN 65	2"1/2	ANSI 300	ST110204AEA0AEQNV000AFKA0	SRN0180401S	KCNDDHD5387	474,0	291,0	37,4	
DN 80	3"	ANSI 150	ST111104AEA0AEQNV000AFKA0	SRN0180401S	KCNDDHD5898	474,0	298,0	30,2	
DN 80	3"	ANSI 300	ST111204AEA0AEQNV000AFLA0	SRN0240401S	KCNDDHD5898	520,5	335,0	40,0	
DN 100	4"	ANSI 150	ST112104AEA0AEQNV000AFMA0	SRN0360401S	KCNEFHD5902	613,0	369,0	52,6	
DN 100	4"	ANSI 300	ST112204AEA0AEQNV000AFNA0	SRN0480401S	KCNEFHD5903	648,2	389,0	73,0	
DN 150	6"	ANSI 150	ST114104AEA0AEQNV000AFQA0	SRN0720401S	KCNGGHD5368	798,0	470,0	164,6	
DN 150	6"	ANSI 300	ST114204AEA0AEMNV000AFVA0	SR1920E1608A	KCNGHHD5349	1001,0	568,5	221,0	
DN 200	8"	ANSI 150	ST115104AEA0AEQNV000AFSA0	SR1440E16D8A	KCNGHHD5370	834,0	647,0	537,2	



THOR SPLIT BODY - ANSI 150-300
ACCIAIO INOX DA FUSIONE CASTING STAINLESS STEEL
CON ATTUATORE ELETTRICO WITH ELECTRIC ACTUATOR



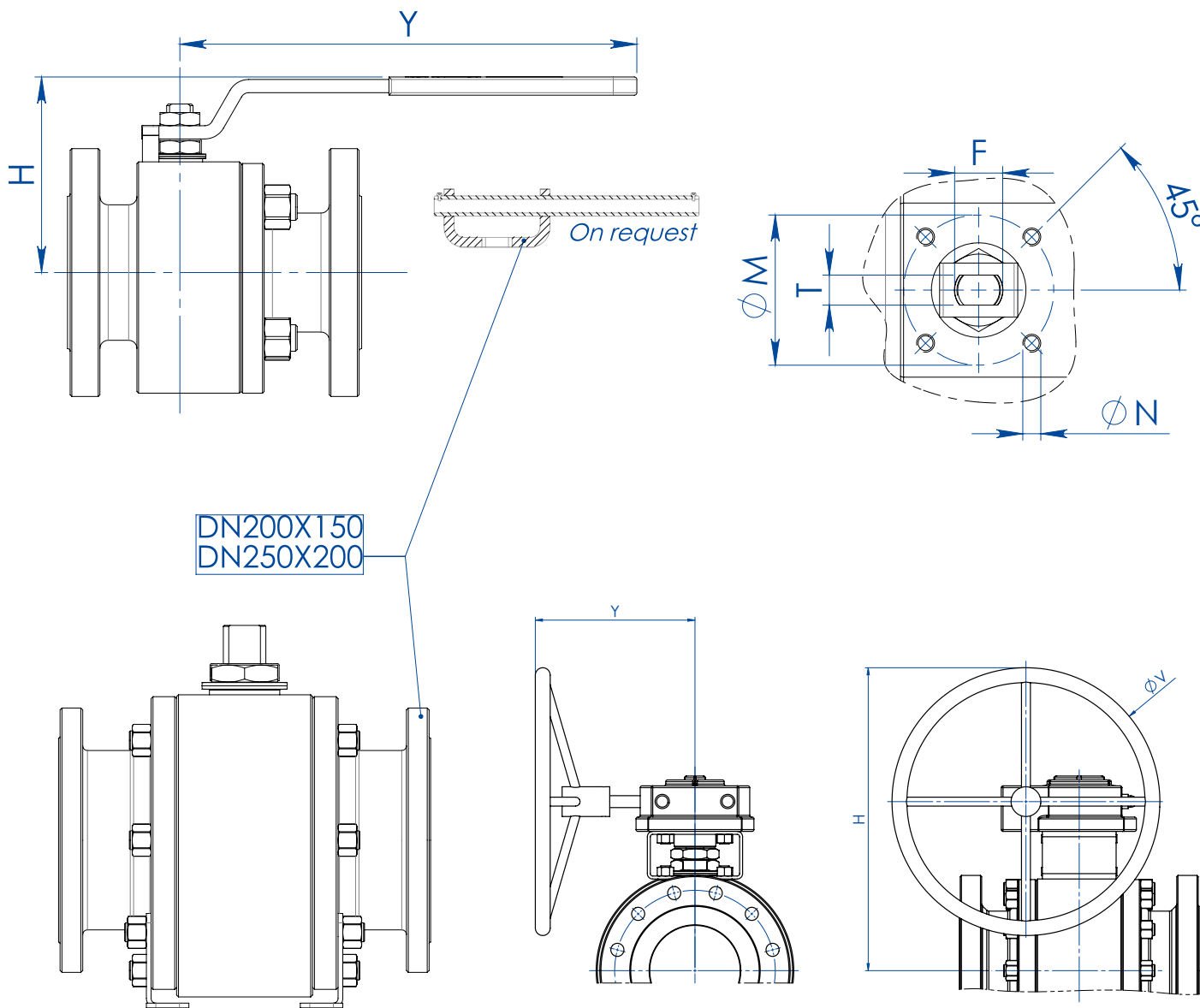
MISURA SIZE		ANSI	CODICE ARTICOLO ITEM CODE	ATTUATORE ACTUATOR	KIT di montaggio Mounting KIT	N [mm]	H [mm]	Peso Kg Weight Kg
DN [mm]	[inch]							
DN 15	1/2"	ANSI 150	ET104104AEA0ADQNV000AMEG0	EA0035A5C000	KCNACHD5324	229,0	229,0	6,0
DN 15	1/2"	ANSI 300	ET104204AEA0ADQNV000AMEG0	EA0035A5C000	KCNACHD5324	229,0	229,0	6,7
DN 20	3/4"	ANSI 150	ET105104AEA0ADQNV000AMEG0	EA0035A5C000	KCNACHD5324	232,0	232,0	6,7
DN 20	3/4"	ANSI 300	ET105204AEA0ADQNV000AMEG0	EA0035A5C000	KCNACHD5324	232,0	232,0	7,9
DN 25	1"	ANSI 150	ET106104AEA0ADQNV000AMEG0	EA0035A5C000	KCNBCHD5327	239,0	239,0	7,5
DN 25	1"	ANSI 300	ET106204AEA0ADQNV000AMEG0	EA0035A5C000	KCNBCHD5327	239,0	239,0	8,8
DN 32	1"1/4	ANSI 150	ET107104AEA0ADQNV000AMGG0	EA0070A5C000	KCNBCHD5327	244,0	244,0	8,9
DN 32	1"1/4	ANSI 300	ET107204AEA0AEQNV000AMGG0	EA0070A5C000	KCNBCHD5327	244,0	244,0	11,0
DN 40	1" 1/2	ANSI 150	ET108104AEA0AEQNV000AMGG0	EA0070A5C000	KCNCCHD5316	255,0	255,0	11,0
DN 40	1" 1/2	ANSI 300	ET108204AEA0AEQNV000AMGG0	EA0070A5C000	KCNCCHD5316	255,0	255,0	13,4
DN 50	2"	ANSI 150	ET109104AEA0AEQNV000AMIG0	EA0130A5C000	KCNCCHD5317	284,5	284,5	18,3
DN 50	2"	ANSI 300	ET109204AEA0AEQNV000AMIG0	EA0130A5C000	KCNCCHD5317	284,5	284,5	20,6
DN 65	2" 1/2	ANSI 150	ET110104AEA0AEQNV000AMIG0	EA0130A5C000	KCNDDHD5386	300,5	300,5	23,8
DN 65	2" 1/2	ANSI 300	ET110204AEA0AEQNV000AMKGO	EA0240A5C000	KCNDDHD5387	300,5	300,5	28,2
DN 80	3"	ANSI 150	ET111104AEA0AEQNV000AMKGO	EA0240A5C000	KCNDDHD5898	307,5	307,5	28,2
DN 80	3"	ANSI 300	ET111204AEA0AEQNV000AMKGO	EA0240A5C000	KCNDDHD5898	307,5	313,5	35,9
DN 100	4"	ANSI 150	ET112104AEA0AEQNV000AMNA0	AE160040	KCNEEHV5337	376,0	376,0	44,0
DN 100	4"	ANSI 300	ET112204AEA0AEQNV000AMNA0	AE160040	KCNEEHV5337	376,0	376,0	57,3
DN 150	6"	ANSI 150	ET114104AEA0AEQNV000AMTA0	AE160100	KCNFGHV5372	468,0	488,0	115,9
DN 150	6"	ANSI 300	ET114204AEA0AEMNV000AMXA0	AE160200	KCNFGHV5374	468,0	488,0	138,7
DN 200	8"	ANSI 150	ET115104AEA0AEQNV000AMTA0	AE160100	KCNFGHV5375	506,0	522,0	188,8





THOR SPLIT BODY ANSI 150-300

PASSAGGIO RIDOTTO *REDUCED BORE*



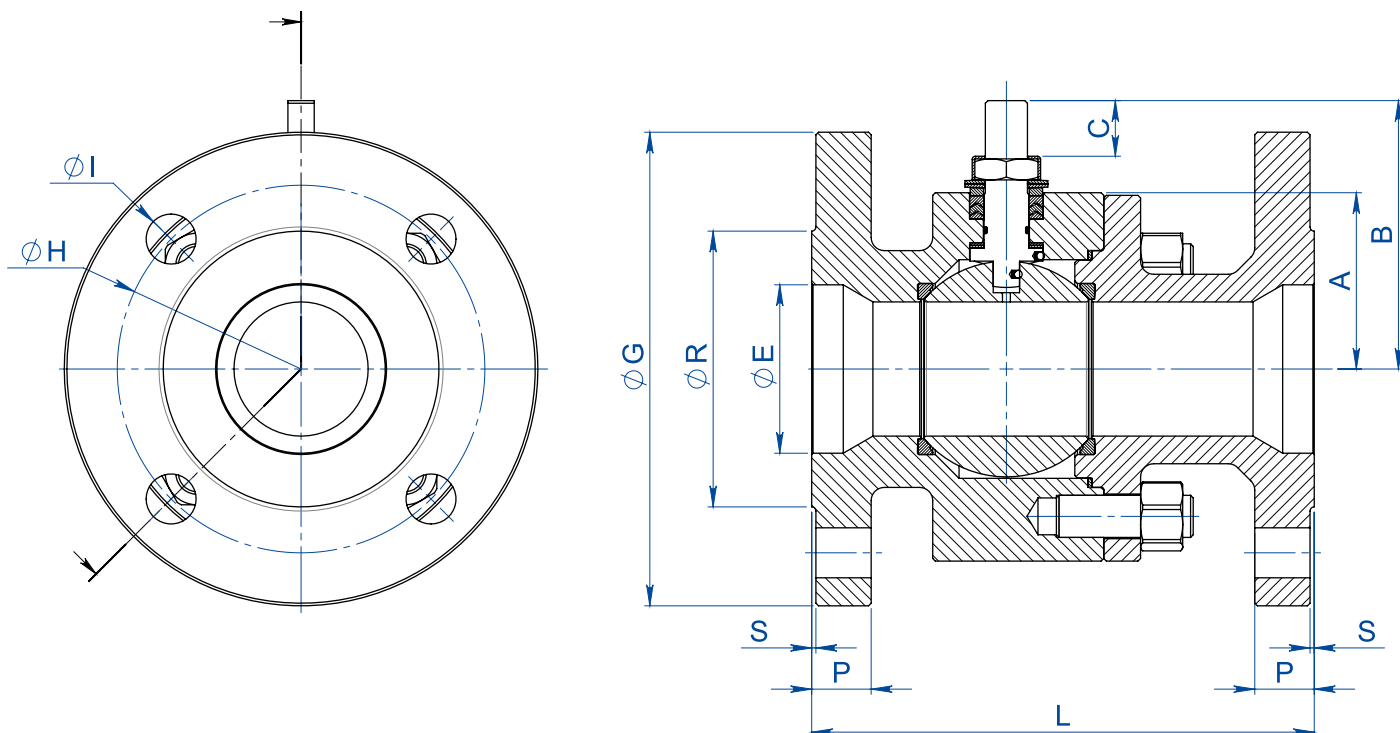
MISURA SIZE		DIMENSIONI DIMENSIONS							
DN [mm]	[inch]	H	Y	ØV	ØM	ØN	F/T	ATT. ISO	KIT LEVA LEVER KIT
DN 20x15	3/4" x 1/2"	71	140	---	36	M5	10/6	F03	KLV58004
DN 25x20	1" x 3/4"	73	140	---	36	M5	10/6	F03	KLV58004
DN 32x25	1" 1/4 x 1"	87	150	---	42	M5	12/8	F04	KLV58006
DN 40x32	1" 1/2 x 1" 1/4	91	150	---	42	M5	12/8	F04	KLV58006
DN 50x40	2" x 1" 1/2	108	275	---	50	M6	16/10	F05	KLV58008
DN 65x50	2" 1/2 x 2"	118	275	---	50	M6	16/10	F05	KLV58008
DN 80x65	3" x 2" 1/2	143	350	---	70	M8	22/14	F07	KLV58010
DN 100x80	4" x 3"	150	350	---	70	M8	22/14	F07	KLV58010
DN 125x100	5" x 4"	198	450	---	102	M10	30/18	F10	KLV58012
DN 150x100	6" x 4"	208	450	---	102	M10	30/18	F10	KLV58012
DN 200x150 ANSI 150 (*)	8" x 6"	522	326	400	140	M16	45/30	F14	---
DN 200x150 ANSI 300	8" x 6"	522	347,5	600	140	M16	45/30	F14	---
DN 250x200 ANSI 150 (*)	10" x 8"	516	347	500	140	M16	52/35	F14	---

Versione STANDARD con riduttore manuale per DN200x150 e DN250x200. STANDARD version with manual gearbox for DN200x150 and DN250x200.
 (*) A RICHIESTA versione con leva. ON REQUEST version with manual lever.



THOR SPLIT BODY ANSI 150-300

PASSAGGIO RIDOTTO *REDUCED BORE*



MISURA SIZE		DIMENSIONI DIMENSIONS														
DN [mm]	[inch]	ANSI	ØE	A	B	C	ØG	ØR	S	P	ØH	N°FORI HOLES N°	ØI	Kg	L	KIT GUARNIZIONI SEALS KIT
DN 20x15	3/4" x 1/2"	150	19	32	52	10	100	42,9	1,6	13	69,8	4	16	2,9	117 (3)	KGBV485040
DN 20x15	3/4" x 1/2"	300	19	32	52	10	118	42,9	1,6	16,6	82,6	4	19	4,1	152 (3)	KGBV485040
DN 25x20	1" x 3/4"	150	25	35	55	10	110	50,8	1,6	14,5	79,2	4	16	3,9	127 (3)	KGBV485050
DN 25x20	1" x 3/4"	300	25	35	55	10	125	50,8	1,6	18	88,9	4	19	5,2	165 (3)	KGBV485050
DN 32x25	1" 1/4 x 1"	150	32	42	68	15	118	63,5	1,6	16,1	88,9	4	16	5,1	140 (3)	KGBV485060
DN 32x25	1" 1/4 x 1"	300	32	42	68	15	135	63,5	1,6	19,5	98,6	4	19	7	178 (3)	KGBV485060
DN 40x32	1" 1/2 x 1" 1/4	150	38	47	73	15	128	73	1,6	18	98,6	4	16	7,7	165 (3)	KGBV485070
DN 40x32	1" 1/2 x 1" 1/4	300	38	47	73	15	155	73	1,6	21	114,3	4	22	10,8	190 (3)	KGBV485070
DN 50x40	2" x 1" 1/2	150	51	58	93	21	153	91,9	1,6	19,6	120,6	4	19	11,8	178 (4)	KGBV485080
DN 50x40	2" x 1" 1/2	300	51	58	93	21	165	91,9	1,6	22,6	127	8	19	14,1	216 (4)	KGBV485080
DN 65x50	2" 1/2 x 2"	150	64	67	102	21	180	104,6	1,6	22,6	139,7	4	19	18,3	191 (4)	KGBV485090
DN 65x50	2" 1/2 x 2"	300	64	67	102	21	190	104,6	1,6	26,1	149,4	8	22	21,5	241 (4)	KGBV485090
DN 80x65	3" x 2" 1/2	150	76	83	130,5	28,4	190	127	1,6	24	152,4	4	19	25,6	203 (4)	KGBV485100
DN 80x65	3" x 2" 1/2	300	76	83	130,5	28,4	210	127	1,6	29	168,1	8	22	33,6	282 (4)	KGBV485100
DN 100x80	4" x 3"	150	102	90	137,5	28,4	230	157,2	1,6	24,6	190,5	8	19	35,9	229 (4)	KGBV485110
DN 100x80	4" x 3"	300	102	96	137,5	28,4	255	157,2	1,6	32,6	200,2	8	22	50,5	305 (4)	KGBV485110
DN 125x100	5" x 4"	150	118	111	172	35	255	185,7	1,6	24,6	215,9	8	22	53	254 (3)	KGBV485120
DN 125x100	5" x 4"	300	118	111	172	35	280	185,7	1,6	36,6	215,9	8	22	78,9	381 (3)	KGBV485120
DN 150x100	6" x 4"	150	152	111	172	35	280	215,9	1,6	25,6	241,3	8	22	67,7	394 (4)	KGBV485120
DN 150x100	6" x 4"	300	152	111	172	35	320	215,9	1,6	37,6	269,7	12	22	91,4	403 (4)	KGBV485120
DN 200x150(*)	8" x 6"	150	203	154	227,5	40,5	345	269,7	1,6	29	298,4	8	22	151,5	457 (4)	KGBV485140
DN 200x150	8" x 6"	300	203	154	227,5	40,5	381	269,7	1,6	42,5	330,2	12	25,4	184	502	KGBV48514D
DN 250x200(*)	10" x 8"	150	254	188	274	44,8	407	323,8	1,6	31	362	12	25,4	246	533 (4)	KGBV485150

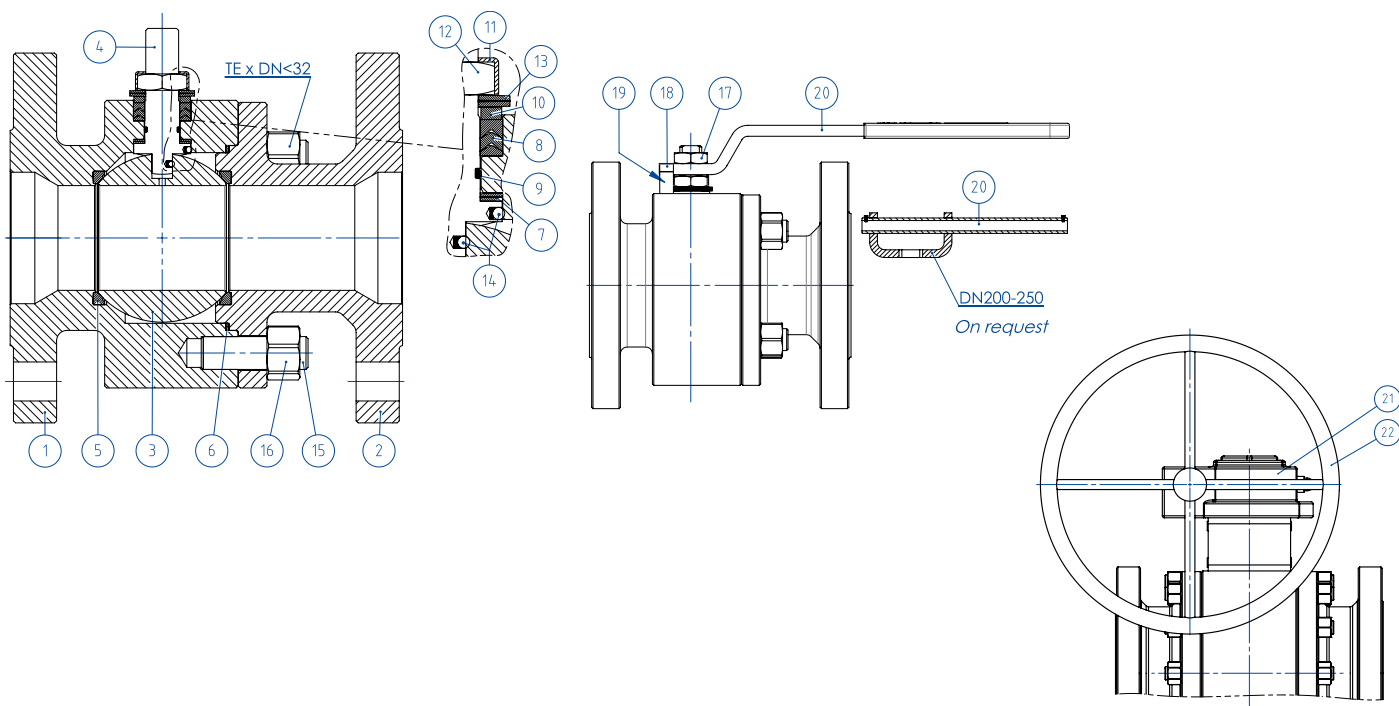
Versione STANDARD con riduttore manuale per DN200x150 e DN250x200. STANDARD version with manual gearbox for DN200x150 and DN250x200.

(*) A RICHIESTA versione con leva. ON REQUEST version with manual lever.

(3) ANSI B16.10
(4) B16.10 / API6D



THOR SPLIT BODY - ANSI 150-300 - PASSAGGIO RIDOTTO REDUCED BORE
ACCIAIO AL CARBONIO CARBON STEEL
TABELLA DEI MATERIALI MATERIALS TABLE



MATERIALI MATERIALS
SPLIT BODY ANSI 150-300 acciaio al carbonio carbon steel

N°	Descrizione Description	A105 Carbon steel	A350 LF2 Carbon steel
1	Corpo Body	ASTM A105	ASTM A350 LF2
2	Terminale Connector		
3	Sfera Ball	ASTM A351 CF8 (*) (1.4308/Gx5CrNi19-10)	
4	Stelo Stem	ASTM A182F6A / A479 Tp.410 (**)	
5*	Seggio Seat	PTFE Modificato Modified PTFE (2)	
6*	Guarnizione corpo-terminale Body-connector gasket	GRAFOIL	
7*	Tenuta inferiore stelo Stem lower sealing	PTFE Modificato Modified PTFE (.)	
8*	Pacco a V Chevron rings	PTFE Modificato Modified PTFE (.)	
9*	O-ring stelo Stem o-ring	FKM (.)	
10	Anello premiguarnizione Packing gland ring	Acciaio al carbonio zincato Carbon steel galvanized (x) (1)	
11	Piastra blocca dado Stop nut plate	304 S.S.	
12	Dado stelo Stem nut	Acciaio al carbonio zincato Carbon steel galvanized (x)	
13	Molle a tazza Springs washer	Acciaio al carbonio zincato Carbon steel galvanized (xx)	
14	Dispositivo antistatico Antistatic device	316 S.S.	
15	Tiranti Stud bolt	ASTM A193-B7	A320-L7M
16	Dadi Nut	ASTM A194-Gr.2H	A194-Gr.7M
17	Controdado Lock nut	Acciaio al carbonio zincato Carbon steel galvanized (x)	
18	Vite di fermo Holder screw	A2-70 (304 S.S.)	
19	Fermo di posizione Holder screw	Acciaio al carbonio zincato Carbon steel galvanized (x)	
20	Leva Lever	Acciaio al carbonio zincato Carbon steel galvanized (x)	
21	Riduttore Gear box	Ghisa (verniciato) Cast iron (painted)	
22	Volantino Handwheel	Acciaio al carbonio verniciato Carbon steel painted	

* Componenti del kit di guarnizioni Components of seals kit

A richiesta disponibile in: Available on request:

(*): A351 CF8M

(**): A564 TP.630 (17-4PH)

(x): 304 s.s.

(xx): 301 s.s.

(1): per DN200x150 & DN250x200 disponibile solo in 304 S.S. for DN200x150 & DN250x200 available only in 304 S.S.

(2) DEVLON per DN200x150 ANSI300 DEVLON for DN200x150 ANSI300

(.): Altri materiali disponibili a richiesta Other materials available on request



THOR SPLIT BODY - ANSI 150-300 - PASSAGGIO RIDOTTO REDUCED BORE
ACCIAIO AL CARBONIO CARBON STEEL
ASSE LIBERO E CON LEVA FREE SHAFT AND WITH LEVER



CODICI VALVOLE IN ACCIAIO AL CARBONIO: ASSE LIBERO (V_) - CON LEVA (L_) - CON RIDUTTORE (R_)
CARBON STEEL VALVE CODE: FREE SHAFT (V_) - WITH LEVER (L_) - WITH GEARBOX (R_)

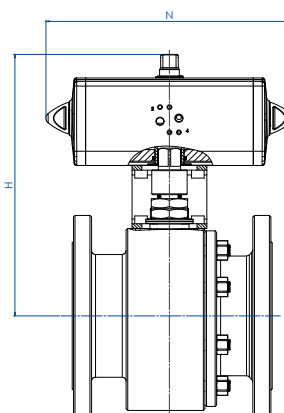
MISURA SIZE		ANSI	A105 Carbon steel	LF2 Carbon steel
DN [mm]	SIZE [inch]			
DN 20x15	3/4" x 1/2"	ANSI 150	V/LT135104CAB0BFQNV00B	V/LT135104CBB0BHQNV00B
DN 20x15	3/4" x 1/2"	ANSI 300	V/LT135204CAB0BFQNV00B	V/LT135204CBB0BHQNV00B
DN 25x20	1" x 3/4"	ANSI 150	V/LT136104CAB0BFQNV00B	V/LT136104CBB0BHQNV00B
DN 25x20	1" x 3/4"	ANSI 300	V/LT136204CAB0BFQNV00B	V/LT136204CBB0BHQNV00B
DN 32x25	1" 1/4 x 1"	ANSI 150	V/LT137104CAB0BFQNV00B	V/LT137104CBB0BHQNV00B
DN 32x25	1" 1/4 x 1"	ANSI 300	V/LT137204CAB0BFQNV00B	V/LT137204CBB0BHQNV00B
DN 40x32	1" 1/2 x 1" 1/4	ANSI 150	V/LT138104CAB0BFQNV00B	V/LT138104CBB0BHQNV00B
DN 40x32	1" 1/2 x 1" 1/4	ANSI 300	V/LT138204CAB0BGQNV00B	V/LT138204CBB0BIQNV00B
DN 50x40	2" x 1" 1/2	ANSI 150	V/LT139104CAB0BGQNV00B	V/LT139104CBB0BIQNV00B
DN 50x40	2" x 1" 1/2	ANSI 300	V/LT139204CAB0BGQNV00B	V/LT139204CBB0BIQNV00B
DN 65x50	2" 1/2 x 2"	ANSI 150	V/LT140104CAB0BGQNV00B	V/LT140104CBB0BIQNV00B
DN 65x50	2" 1/2 x 2"	ANSI 300	V/LT140204CAB0BGQNV00B	V/LT140204CBB0BIQNV00B
DN 80x65	3" x 2" 1/2	ANSI 150	V/LT141104CAB0BGQNV00B	V/LT141104CBB0BIQNV00B
DN 80x65	3" x 2" 1/2	ANSI 300	V/LT141204CAB0BGQNV00B	V/LT141204CBB0BIQNV00B
DN 100x80	4" x 3"	ANSI 150	V/LT142104CAB0BGQNV00B	V/LT142104CBB0BIQNV00B
DN 100x80	4" x 3"	ANSI 300	V/LT142204CAB0BGQNV00B	V/LT142204CBB0BIQNV00B
DN 125x100	5" x 4"	ANSI 150	V/LT143104CAB0BGQNV00B	V/LT143104CBB0BIQNV00B
DN 125x100	5" x 4"	ANSI 300	V/LT143204CAB0BGQNV00B	V/LT143204CBB0BIQNV00B
DN 150x100	6" x 4"	ANSI 150	V/LT174104CAB0BGQNV00B	V/LT174104CBB0BIQNV00B
DN 150x100	6" x 4"	ANSI 300	V/LT174204CAB0BGQNV00B	V/LT174204CBB0BIQNV00B
DN 200X150(*)	8" x 6"	ANSI 150	V/RT145104CAB0BGQNV00B	V/RT145104CBB0BIQNV00B
DN 200X150	8" x 6"	ANSI 300	V/RT145204CAB0BGMNV00B	V/RT145204CBB0BIMNV00B
DN 250X200(*)	10" x 8"	ANSI 150	V/RT146104CAB0BGQNV00B	V/RT146104CBB0BIQNV00B

DN250X200 ANSI300 disponibile a magazzino, contattare ufficio commerciale per verifica condizioni operative.
 DN250X200 ANSI300 on stock, check with our sales department for operating conditions.

Versione STANDARD con riduttore manuale per DN200x150 e DN250x200. STANDARD version with manual gearbox for DN200x150 and DN250x200.
 (*) A RICHIESTA versione con leva. ON REQUEST version with manual lever.



THOR SPLIT BODY - ANSI 150-300 - PASSAGGIO RIDOTTO *REDUCED BORE* ACCIAIO AL CARBONIO *CARBON STEEL* CON ATTUATORE PNEUMATICO DA *WITH DA PNEUMATIC ACTUATOR*



CODICI ARTICOLI IN A105 ACCIAIO AL CARBONIO *ITEM CODES IN A105 CARBON STEEL*

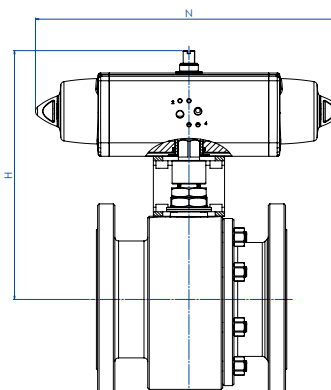
MISURA <i>SIZE</i>		ANSI	CODICE ARTICOLO <i>ITEM CODE</i>	ATTUATORE <i>ACTUATOR</i>	KIT di montaggio <i>Mounting KIT</i>	N [mm]	H [mm]	Kg
DN [mm]	[inch]							
DN20X15	3/4" x 1/2"	ANSI 150	DT135104CAB0BFQNV00BAFBA0	DAN0015411S	KCNAHD5312	159,0	154,2	4,0
DN20X15	3/4" x 1/2"	ANSI 300	DT135204CAB0BFQNV00BAFCA0	DAN0030411S	KCNAHD5312	174,2	161,2	5,5
DN25X20	1" x 3/4"	ANSI 150	DT136104CAB0BFQNV00BAFCA0	DAN0030411S	KCNAHD5312	174,2	164,2	5,3
DN25X20	1" x 3/4"	ANSI 300	DT136204CAB0BFQNV00BAFCA0	DAN0030411S	KCNAHD5312	174,2	164,2	6,6
DN32X25	1" 1/4 x 1"	ANSI 150	DT137104CAB0BFQNV00BAFCA0	DAN0030411S	KCNBCHD5315	174,2	181,2	6,7
DN32X25	1" 1/4 x 1"	ANSI 300	DT137204CAB0BFQNV00BAFCA0	DAN0030411S	KCNBCHD5315	174,2	181,2	8,6
DN40X32	1" 1/2 x 1" 1/4	ANSI 150	DT138104CAB0BFQNV00BAFDA0	DAN0045412S	KCNBCHD5315	188,5	191,5	9,5
DN40X32	1" 1/2 x 1" 1/4	ANSI 300	DT138204CAB0BGQNV00BAFDA0	DAN0045412S	KCNBCHD5315	188,5	191,5	12,6
DN50X40	2" x 1" 1/2	ANSI 150	DT139104CAB0BGQNV00BAFEA0	DAN0060412S	KCNCHD5316	198,0	208,4	14,1
DN50X40	2" x 1" 1/2	ANSI 300	DT139204CAB0BGQNV00BAFEA0	DAN0060412S	KCNCHD5316	198,0	208,4	16,4
DN65X50	2" 1/2 x 2"	ANSI 150	DT140104CAB0BGQNV00BAFGA0	DAN0106411S	KCNCHD5317	237,0	230,3	21,6
DN65X50	2" 1/2 x 2"	ANSI 300	DT140204CAB0BGQNV00BAFHA0	DAN0120411S	KCNCHD5317	244,1	234,0	24,9
DN80X65	3" x 2" 1/2	ANSI 150	DT141104CAB0BGQNV00BAFHA0	DAN0120411S	KCNDDHD5386	244,1	250,0	29,1
DN80X65	3" x 2" 1/2	ANSI 300	DT141204CAB0BGQNV00BAFIA0	DAN0180411S	KCNDDHD5319	289,9	280,5	39,3
DN100X80	4" x 3"	ANSI 150	DT142104CAB0BGQNV00BAFIA0	DAN0180411S	KCNDDHD5319	289,9	287,5	41,6
DN100X80	4" x 3"	ANSI 300	DT142204CAB0BGQNV00BAFJA0	DAN0240411S	KCNDDHD5320	313,6	297,1	57,6
DN125X100	5" x 4"	ANSI 150	DT143104CAB0BGQNV00BAFKA0	DAN0360411S	KCNEHD5379	339,3	339,0	61,3
DN125X100	5" x 4"	ANSI 300	DT143204CAB0BGQNV00BAFLA0	DAN0480411S	KCNEFD5322	387,6	355,9	91,1
DN150X100	6" x 4"	ANSI 150	DT174104CAB0BGQNV00BAFKA0	DAN0360411S	KCNEHD5379	339,3	339,0	76,0
DN150X100	6" x 4"	ANSI 300	DT174204CAB0BGQNV00BAFLA0	DAN0480411S	KCNEFD5322	387,6	355,9	103,6
DN200X150	8" x 6"	ANSI 150	DT145104CAB0BGQNV00BAFMA0	DAN0720411S	KCNFGHD5364	433,1	432,0	168,3
DN200X150	8" x 6"	ANSI 300	DT145204CAB0BMNV00BAFRA0	DAN1920411S	KCNGGHD5600	601,0	491,7	222,9
DN250X200	10" x 8"	ANSI 150	DT146104CAB0BGQNV00BAFQA0	DAN1440411S	KCNGGHD5366	567,1	504,0	274,2

CODICI ARTICOLI IN LF2 ACCIAIO AL CARBONIO *ITEM CODES IN LF2 CARBON STEEL*

MISURA <i>SIZE</i>		ANSI	CODICE ARTICOLO <i>ITEM CODE</i>	ATTUATORE <i>ACTUATOR</i>	KIT di montaggio <i>Mounting KIT</i>	N [mm]	H [mm]	Kg
DN [mm]	[inch]							
DN20X15	3/4" x 1/2"	ANSI 150	DT135104CBB0BHQNV00BAFBA0	DAN0015411S	KCNAHD5312	159,0	154,2	4,0
DN20X15	3/4" x 1/2"	ANSI 300	DT135204CBB0BHQNV00BAFCA0	DAN0030411S	KCNAHD5312	174,2	161,2	5,5
DN25X20	1" x 3/4"	ANSI 150	DT136104CBB0BHQNV00BAFCA0	DAN0030411S	KCNAHD5312	174,2	164,2	5,3
DN25X20	1" x 3/4"	ANSI 300	DT136204CBB0BHQNV00BAFCA0	DAN0030411S	KCNAHD5312	174,2	164,2	6,6
DN32X25	1" 1/4 x 1"	ANSI 150	DT137104CBB0BHQNV00BAFCA0	DAN0030411S	KCNBCHD5315	174,2	181,2	6,7
DN32X25	1" 1/4 x 1"	ANSI 300	DT137204CBB0BHQNV00BAFCA0	DAN0030411S	KCNBCHD5315	174,2	181,2	8,6
DN40X32	1" 1/2 x 1" 1/4	ANSI 150	DT138104CBB0BHQNV00BAFDA0	DAN0045412S	KCNBCHD5315	188,5	191,5	9,5
DN40X32	1" 1/2 x 1" 1/4	ANSI 300	DT138204CBB0BIQNV00BAFDA0	DAN0045412S	KCNBCHD5315	188,5	191,5	12,6
DN50X40	2" x 1" 1/2	ANSI 150	DT139104CBB0BIQNV00BAFEA0	DAN0060412S	KCNCHD5316	198,0	208,4	14,1
DN50X40	2" x 1" 1/2	ANSI 300	DT139204CBB0BIQNV00BAFEA0	DAN0060412S	KCNCHD5316	198,0	208,4	16,4
DN65X50	2" 1/2 x 2"	ANSI 150	DT140104CBB0BIQNV00BAFGA0	DAN0106411S	KCNCHD5317	237,0	230,3	21,6
DN65X50	2" 1/2 x 2"	ANSI 300	DT140204CBB0BIQNV00BAFHA0	DAN0120411S	KCNCHD5317	244,1	234,0	24,9
DN80X65	3" x 2" 1/2	ANSI 150	DT141104CBB0BIQNV00BAFHA0	DAN0120411S	KCNDDHD5386	244,1	250,0	29,1
DN80X65	3" x 2" 1/2	ANSI 300	DT141204CBB0BIQNV00BAFIA0	DAN0180411S	KCNDDHD5319	289,9	280,5	39,3
DN100X80	4" x 3"	ANSI 150	DT142104CBB0BIQNV00BAFIA0	DAN0180411S	KCNDDHD5319	289,9	287,5	41,6
DN100X80	4" x 3"	ANSI 300	DT142204CBB0BIQNV00BAFJA0	DAN0240411S	KCNDDHD5320	313,6	297,1	57,6
DN125X100	5" x 4"	ANSI 150	DT143104CBB0BIQNV00BAFKA0	DAN0360411S	KCNEHD5379	339,3	339,0	61,3
DN125X100	5" x 4"	ANSI 300	DT143204CBB0BIQNV00BAFLA0	DAN0480411S	KCNEFD5322	387,6	355,9	91,1
DN150X100	6" x 4"	ANSI 150	DT174104CBB0BIQNV00BAFKA0	DAN0360411S	KCNEHD5379	339,3	339,0	76,0
DN150X100	6" x 4"	ANSI 300	DT174204CBB0BIQNV00BAFLA0	DAN0480411S	KCNEFD5322	387,6	355,9	103,6
DN200X150	8" x 6"	ANSI 150	DT145104CBB0BIQNV00BAFMA0	DAN0720411S	KCNFGHD5364	433,1	432,0	168,3
DN200X150	8" x 6"	ANSI 300	DT145204CBB0BIMNV00BAFRA0	DAN1920411S	KCNGGHD5600	601,0	491,7	222,9
DN250X200	10" x 8"	ANSI 150	DT146104CBB0BIQNV00BAFQA0	DAN1440411S	KCNGGHD5366	567,1	504,0	274,2



THOR SPLIT BODY - ANSI 150-300 - PASSAGGIO RIDOTTO REDUCED BORE ACCIAIO AL CARBONIO CARBON STEEL CON ATTUATORE PNEUMATICO SR WITH SR PNEUMATIC ACTUATOR



CODICI ARTICOLI IN A105 ACCIAIO AL CARBONIO ITEM CODES IN A105 CARBON STEEL

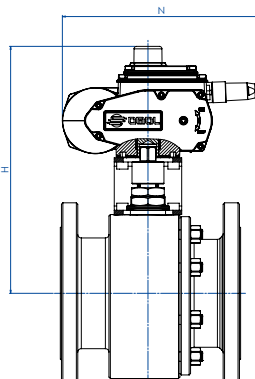
MISURA SIZE		ANSI	CODICE ARTICOLO ITEM CODE	ATTUATORE ACTUATOR	KIT di montaggio Mounting KIT	N [mm]	H [mm]	Kg
DN [mm]	[inch]							
DN20X15	3/4" x 1/2"	ANSI 150	ST135104CAB0BFQNV00BAFCA0	SRN0015401S	KCNAHD5312	233,2	161,2	4,5
DN20X15	3/4" x 1/2"	ANSI 300	ST135204CAB0BFQNV00BAFEA0	SRN0030402S	KCNACHD5324	258,8	182,4	6,6
DN25X20	1" x 3/4"	ANSI 150	ST136104CAB0BFQNV00BAFEA0	SRN0030402S	KCNACHD5324	258,8	185,4	6,4
DN25X20	1" x 3/4"	ANSI 300	ST136204CAB0BFQNV00BAFEA0	SRN0030402S	KCNACHD5324	258,8	185,4	7,7
DN32X25	1" 1/4 x 1"	ANSI 150	ST137104CAB0BFQNV00BAFEA0	SRN0030402S	KCNBCHD5327	258,8	192,4	7,7
DN32X25	1" 1/4 x 1"	ANSI 300	ST137204CAB0BFQNV00BAFEA0	SRN0030402S	KCNBCHD5327	258,8	192,4	9,6
DN40X32	1" 1/2 x 1" 1/4	ANSI 150	ST138104CAB0BFQNV00BAFGA0	SRN0053401S	KCNBCHD5328	304,2	210,3	11,4
DN40X32	1" 1/2 x 1" 1/4	ANSI 300	ST138204CAB0BGQNV00BAFGA0	SRN0053401S	KCNBCHD5328	304,2	210,3	14,5
DN50X40	2" x 1" 1/2	ANSI 150	ST139104CAB0BGQNV00BAFHA0	SRN0060401S	KCNCHD5317	338,5	225,0	15,9
DN50X40	2" x 1" 1/2	ANSI 300	ST139204CAB0BGQNV00BAFHA0	SRN0060401S	KCNCHD5317	338,5	225,0	18,2
DN65X50	2" 1/2 x 2"	ANSI 150	ST140104CAB0BGQNV00BAFIA0	SRN0090401S	KCNCDHD5329	393,7	264,5	25,3
DN65X50	2" 1/2 x 2"	ANSI 300	ST140204CAB0BGQNV00BAFJA0	SRN0120401S	KCNCDHD5329	409,6	268,1	29,4
DN80X65	3" x 2" 1/2	ANSI 150	ST141104CAB0BGQNV00BAFJA0	SRN0120401S	KCNDDHD5387	409,6	284,1	33,4
DN80X65	3" x 2" 1/2	ANSI 300	ST141204CAB0BGQNV00BAFKA0	SRN0180401S	KCNDDHD5319	474,0	291,0	43,6
DN100X80	4" x 3"	ANSI 150	ST142104CAB0BGQNV00BAFKA0	SRN0180401S	KCNDDHD5319	474,0	298,0	45,9
DN100X80	4" x 3"	ANSI 300	ST142204CAB0BGQNV00BAFLA0	SRN0240401S	KCNDEHD5331	520,5	341,0	64,2
DN125X100	5" x 4"	ANSI 150	ST143104CAB0BGQNV00BAFMA0	SRN0360401S	KCNEFHD5322	613,0	369,0	72,1
DN125X100	5" x 4"	ANSI 300	ST143204CAB0BGQNV00BAFNA0	SRN0480401S	KCNEFHD5392	648,2	389,0	104,7
DN150X100	6" x 4"	ANSI 150	ST174104CAB0BGQNV00BAFMA0	SRN0360401S	KCNEFHD5322	613,0	369,0	86,8
DN150X100	6" x 4"	ANSI 300	ST174204CAB0BGQNV00BAFNA0	SRN0480401S	KCNEFHD5392	648,2	389,0	117,2
DN200X150	8" x 6"	ANSI 150	ST145104CAB0BGQNV00BAFQA0	SRN0720401S	KCNGGHD5368	798,0	470,0	189,5
DN200X150	8" x 6"	ANSI 300	ST145204CAB0BGMNV00BAFVA0	SR1920E1608A	KCNGGHD5349	1001,0	568,5	257,9
DN250X200	10" x 8"	ANSI 150	ST146104CAB0BGQNV00BAFSA0	SR1440E16D8A	KCNGGHD5370	834,0	647,0	326,2

CODICI ARTICOLI IN LF2 ACCIAIO AL CARBONIO ITEM CODES IN LF2 CARBON STEEL

MISURA SIZE		ANSI	CODICE ARTICOLO ITEM CODE	ATTUATORE ACTUATOR	KIT di montaggio Mounting KIT	N [mm]	H [mm]	Kg
DN [mm]	[inch]							
DN20X15	3/4" x 1/2"	ANSI 150	ST135104CBB0BHQNV00BAFCA0	SRN0015401S	KCNAHD5312	233,2	161,2	4,5
DN20X15	3/4" x 1/2"	ANSI 300	ST135204CBB0BHQNV00BAFEA0	SRN0030402S	KCNACHD5324	258,8	182,4	6,6
DN25X20	1" x 3/4"	ANSI 150	ST136104CBB0BHQNV00BAFEA0	SRN0030402S	KCNACHD5324	258,8	185,4	6,4
DN25X20	1" x 3/4"	ANSI 300	ST136204CBB0BHQNV00BAFEA0	SRN0030402S	KCNACHD5324	258,8	185,4	7,7
DN32X25	1" 1/4 x 1"	ANSI 150	ST137104CBB0BHQNV00BAFEA0	SRN0030402S	KCNBCHD5327	258,8	192,4	7,7
DN32X25	1" 1/4 x 1"	ANSI 300	ST137204CBB0BHQNV00BAFEA0	SRN0030402S	KCNBCHD5327	258,8	192,4	9,6
DN40X32	1" 1/2 x 1" 1/4	ANSI 150	ST138104CBB0BHQNV00BAFGA0	SRN0053401S	KCNBCHD5328	304,2	210,3	11,4
DN40X32	1" 1/2 x 1" 1/4	ANSI 300	ST138204CBB0BIQNV00BAFGA0	SRN0053401S	KCNBCHD5328	304,2	210,3	14,5
DN50X40	2" x 1" 1/2	ANSI 150	ST139104CBB0BIQNV00BAFHA0	SRN0060401S	KCNCHD5317	338,5	225,0	15,9
DN50X40	2" x 1" 1/2	ANSI 300	ST139204CBB0BIQNV00BAFHA0	SRN0060401S	KCNCHD5317	338,5	225,0	18,2
DN65X50	2" 1/2 x 2"	ANSI 150	ST140104CBB0BIQNV00BAFIA0	SRN0090401S	KCNCDHD5329	393,7	264,5	25,3
DN65X50	2" 1/2 x 2"	ANSI 300	ST140204CBB0BIQNV00BAFJA0	SRN0120401S	KCNCDHD5329	409,6	268,1	29,4
DN80X65	3" x 2" 1/2	ANSI 150	ST141104CBB0BIQNV00BAFJA0	SRN0120401S	KCNDDHD5387	409,6	284,1	33,4
DN80X65	3" x 2" 1/2	ANSI 300	ST141204CBB0BIQNV00BAFKA0	SRN0180401S	KCNDDHD5319	474,0	291,0	43,6
DN100X80	4" x 3"	ANSI 150	ST142104CBB0BIQNV00BAFKA0	SRN0180401S	KCNDDHD5319	474,0	298,0	45,9
DN100X80	4" x 3"	ANSI 300	ST142204CBB0BIQNV00BAFLA0	SRN0240401S	KCNDEHD5331	520,5	341,0	64,2
DN125X100	5" x 4"	ANSI 150	ST143104CBB0BIQNV00BAFMA0	SRN0360401S	KCNEFHD5322	613,0	369,0	72,1
DN125X100	5" x 4"	ANSI 300	ST143204CBB0BIQNV00BAFNA0	SRN0480401S	KCNEFHD5392	648,2	389,0	104,7
DN150X100	6" x 4"	ANSI 150	ST174104CBB0BIQNV00BAFMA0	SRN0360401S	KCNEFHD5322	613,0	369,0	86,8
DN150X100	6" x 4"	ANSI 300	ST174204CBB0BIQNV00BAFNA0	SRN0480401S	KCNEFHD5392	648,2	389,0	117,2
DN200X150	8" x 6"	ANSI 150	ST145104CBB0BIQNV00BAFQA0	SRN0720401S	KCNGGHD5368	798,0	470,0	189,5
DN200X150	8" x 6"	ANSI 300	ST145204CBB0BIMNV00BAFVA0	SR1920E1608A	KCNGGHD5349	1001,0	568,5	257,9
DN250X200	10" x 8"	ANSI 150	ST146104CBB0BIQNV00BAFSA0	SR1440E16D8A	KCNGGHD5370	834,0	647,0	326,2



THOR SPLIT BODY - ANSI 150-300 - PASSAGGIO RIDOTTO *REDUCED BORE* ACCIAIO AL CARBONIO *CARBON STEEL* CON ATTUATORE ELETTRICO *WITH ELECTRIC ACTUATOR*



CODICI ARTICOLI IN A105 ACCIAIO AL CARBONIO *ITEM CODES IN A105 CARBON STEEL*

MISURA <i>SIZE</i>		ANSI	CODICE ARTICOLO <i>ITEM CODE</i>	ATTUATORE <i>ACTUATOR</i>	KIT di montaggio <i>Mounting KIT</i>	N [mm]	H [mm]	Kg
DN [mm]	SIZE [inch]							
DN20X15	3/4" x 1/2"	ANSI 150	ET135104CAB0BFQNV00BAMEGO	EA0035A5C000	KCNACHD5324	250,0	229,0	7,1
DN20X15	3/4" x 1/2"	ANSI 300	ET135204CAB0BFQNV00BAMEGO	EA0035A5C000	KCNACHD5324	250,0	229,0	8,3
DN25X20	1" x 3/4"	ANSI 150	ET136104CAB0BFQNV00BAMEGO	EA0035A5C000	KCNACHD5324	250,0	232,0	8,1
DN25X20	1" x 3/4"	ANSI 300	ET136204CAB0BFQNV00BAMEGO	EA0035A5C000	KCNACHD5324	250,0	232,0	9,4
DN32X25	1" 1/4 x 1"	ANSI 150	ET137104CAB0BFQNV00BAMEGO	EA0035A5C000	KCNBCHD5327	250,0	239,0	9,3
DN32X25	1" 1/4 x 1"	ANSI 300	ET137204CAB0BFQNV00BAMEGO	EA0035A5C000	KCNBCHD5327	250,0	239,0	11,2
DN40X32	1" 1/2 x 1" 1/4	ANSI 150	ET138104CAB0BFQNV00BAMGG0	EA0070A5C000	KCNBCHD5327	250,0	244,0	12,1
DN40X32	1" 1/2 x 1" 1/4	ANSI 300	ET138204CAB0BGQNV00BAMGG0	EA0070A5C000	KCNBCHD5327	250,0	244,0	15,2
DN50X40	2" x 1" 1/2	ANSI 150	ET139104CAB0BGQNV00BAMGG0	EA0070A5C000	KCNCCHD5316	250,0	255,0	16,3
DN50X40	2" x 1" 1/2	ANSI 300	ET139204CAB0BGQNV00BAMGG0	EA0070A5C000	KCNCCHD5316	250,0	255,0	18,6
DN65X50	2" 1/2 x 2"	ANSI 150	ET140104CAB0BGQNV00BAMIGO	EA0130A5C000	KCNCCHD5317	280,0	284,5	26,3
DN65X50	2" 1/2 x 2"	ANSI 300	ET140204CAB0BGQNV00BAMIGO	EA0130A5C000	KCNCCHD5317	280,0	284,5	29,5
DN80X65	3" x 2" 1/2	ANSI 150	ET141104CAB0BGQNV00BAMIGO	EA0130A5C000	KCNDDHD5386	280,0	300,5	33,7
DN80X65	3" x 2" 1/2	ANSI 300	ET141204CAB0BGQNV00BAMKGO	EA0240A5C000	KCNDDHD5319	280,0	300,5	42,2
DN100X80	4" x 3"	ANSI 150	ET142104CAB0BGQNV00BAMKGO	EA0240A5C000	KCNDDHD5319	280,0	307,5	44,5
DN100X80	4" x 3"	ANSI 300	ET142204CAB0BGQNV00BAMKGO	EA0240A5C000	KCNDDHD5320	280,0	313,5	59,7
DN125X100	5" x 4"	ANSI 150	ET143104CAB0BGQNV00BAMNA0	AE160040	KCNEEHV5337	256,5	376,0	64,1
DN125X100	5" x 4"	ANSI 300	ET143204CAB0BGQNV00BAMNA0	AE160040	KCNEEHV5337	256,5	376,0	90,0
DN150X100	6" x 4"	ANSI 150	ET174104CAB0BGQNV00BAMNA0	AE160040	KCNEEHV5337	256,5	376,0	78,8
DN150X100	6" x 4"	ANSI 300	ET174204CAB0BGQNV00BAMNA0	AE160040	KCNEEHV5337	256,5	376,0	102,5
DN200X150	8" x 6"	ANSI 150	ET145104CAB0BGQNV00BAMTA0	AE160100	KCNFGHV5372	381,0	488,0	178,7
DN200X150	8" x 6"	ANSI 300	ET145204CAB0BGMNV00BAMXA0	AE160200	KCNFGHV5374	381,0	488,0	212,7
DN250X200	10" x 8"	ANSI 150	ET146104CAB0BGQNV00BAMTA0	AE160100	KCNFGHV5375	381,0	522,0	272,7

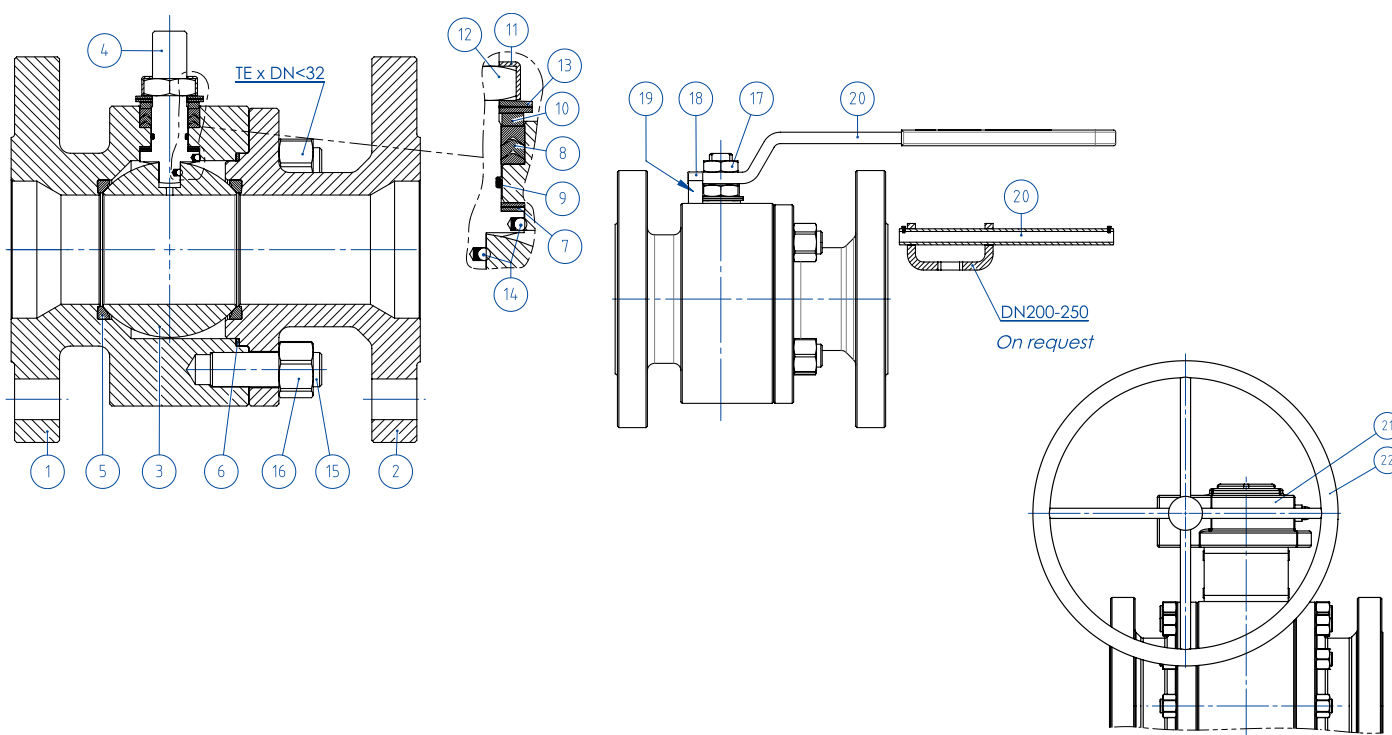
CODICI ARTICOLI IN LF2 ACCIAIO AL CARBONIO *ITEM CODES IN LF2 CARBON STEEL*

MISURA <i>SIZE</i>		ANSI	CODICE ARTICOLO <i>ITEM CODE</i>	ATTUATORE <i>ACTUATOR</i>	KIT di montaggio <i>Mounting KIT</i>	N [mm]	H [mm]	Kg
DN [mm]	SIZE [inch]							
DN20X15	3/4" x 1/2"	ANSI 150	ET135104CBB0BHQNV00BAMEGO	EA0035A5C000	KCNACHD5324	250,0	229,0	7,1
DN20X15	3/4" x 1/2"	ANSI 300	ET135204CBB0BHQNV00BAMEGO	EA0035A5C000	KCNACHD5324	250,0	229,0	8,3
DN25X20	1" x 3/4"	ANSI 150	ET136104CBB0BHQNV00BAMEGO	EA0035A5C000	KCNACHD5324	250,0	232,0	8,1
DN25X20	1" x 3/4"	ANSI 300	ET136204CBB0BHQNV00BAMEGO	EA0035A5C000	KCNACHD5324	250,0	232,0	9,4
DN32X25	1" 1/4 x 1"	ANSI 150	ET137104CBB0BHQNV00BAMEGO	EA0035A5C000	KCNBCHD5327	250,0	239,0	9,3
DN32X25	1" 1/4 x 1"	ANSI 300	ET137204CBB0BHQNV00BAMEGO	EA0035A5C000	KCNBCHD5327	250,0	239,0	11,2
DN40X32	1" 1/2 x 1" 1/4	ANSI 150	ET138104CBB0BHQNV00BAMGG0	EA0070A5C000	KCNBCHD5327	250,0	244,0	12,1
DN40X32	1" 1/2 x 1" 1/4	ANSI 300	ET138204CBB0BHQNV00BAMGG0	EA0070A5C000	KCNBCHD5327	250,0	244,0	15,2
DN50X40	2" x 1" 1/2	ANSI 150	ET139104CBB0BIQNV00BAMGG0	EA0070A5C000	KCNCCHD5316	250,0	255,0	16,3
DN50X40	2" x 1" 1/2	ANSI 300	ET139204CBB0BIQNV00BAMGG0	EA0070A5C000	KCNCCHD5316	250,0	255,0	18,6
DN65X50	2" 1/2 x 2"	ANSI 150	ET140104CBB0BIQNV00BAMIGO	EA0130A5C000	KCNCCHD5317	280,0	284,5	26,3
DN65X50	2" 1/2 x 2"	ANSI 300	ET140204CBB0BIQNV00BAMIGO	EA0130A5C000	KCNCCHD5317	280,0	284,5	29,5
DN80X65	3" x 2" 1/2	ANSI 150	ET141104CBB0BIQNV00BAMIGO	EA0130A5C000	KCNDDHD5386	280,0	300,5	33,7
DN80X65	3" x 2" 1/2	ANSI 300	ET141204CBB0BIQNV00BAMKGO	EA0240A5C000	KCNDDHD5319	280,0	300,5	42,2
DN100X80	4" x 3"	ANSI 150	ET142104CBB0BIQNV00BAMKGO	EA0240A5C000	KCNDDHD5319	280,0	307,5	44,5
DN100X80	4" x 3"	ANSI 300	ET142204CBB0BIQNV00BAMKGO	EA0240A5C000	KCNDDHD5320	280,0	313,5	59,7
DN125X100	5" x 4"	ANSI 150	ET143104CBB0BIQNV00BAMNA0	AE160040	KCNEEHV5337	256,5	376,0	64,1
DN125X100	5" x 4"	ANSI 300	ET143204CBB0BIQNV00BAMNA0	AE160040	KCNEEHV5337	256,5	376,0	90,0
DN150X100	6" x 4"	ANSI 150	ET174104CBB0BIQNV00BAMNA0	AE160040	KCNEEHV5337	256,5	376,0	78,8
DN150X100	6" x 4"	ANSI 300	ET174204CBB0BIQNV00BAMNA0	AE160040	KCNEEHV5337	256,5	376,0	102,5
DN200X150	8" x 6"	ANSI 150	ET145104CBB0BIQNV00BAMTA0	AE160100	KCNFGHV5372	381,0	488,0	178,7
DN200X150	8" x 6"	ANSI 300	ET145204CBB0BIMNV00BAMXA0	AE160200	KCNFGHV5374	381,0	488,0	212,7
DN250X200	10" x 8"	ANSI 150	ET146104CBB0BIQNV00BAMTA0	AE160100	KCNFGHV5375	381,0	522,0	272,7

Articoli disponibili anche con attuatore modulante *Items available also with modulating actuator*



THOR SPLIT BODY - ANSI 150-300 - PASSAGGIO RIDOTTO REDUCED BORE ACCIAIO INOX STAINLESS STEEL TABELLA DEI MATERIALI MATERIALS TABLE



MATERIALI MATERIALS ANSI 150-300 DA BARRA FROM BAR

N°	Descrizione Description	316 Stainless steel
1	Corpo Body	ASTM A 182 F316 / A479TP316 (1.4401 / X5CrNiMo 17-12-2)
2	Terminale Connector	
3	Sfera Ball	ASTM A351 CF8M (1.4408/Gx5CrNiMo19-12-2)
4	Stelo Stem	A564 TP.630 (17-4PH)
5*	Seggio Seat	PTFE Modificato Modified PTFE (2)
6*	Guarnizione corpo terminale Body-Connector gasket	GRAFOIL
7*	Tenuta inferiore stelo Stem lower sealing	PTFE Modificato Modified PTFE (.)
8*	Guarnizioni tipo Chevron Chevron seals	PTFE Modificato Modified PTFE (.)
9*	O-ring stelo Stem o-ring	FKM (.)
10	Anello premi guarnizione Packing gland ring	304 S.S.
11	Piastra blocca dado Stop nut plate	304 S.S.
12	Dado stelo Stem nut	Acciaio al carbonio zincato Carbon steel galvanized (x)
13	Molle a tazza Springs washer	Acciaio al carbonio zincato Carbon steel galvanized (xx)
14	Dispositivo antistatico Antistatic device	316 S.S.
15	Tiranti Stud bolt	ASTM A193-B8
16	Dadi Nut	ASTM A194-Gr.8
17	Controdado Lock nut	Acciaio al carbonio zincato Carbon steel galvanized (x)
18	Vite di fermo Holder screw	A2-70 (304 S.S.)
19	Fermo di posizione Holder screw	Acciaio al carbonio zincato Carbon steel galvanized (x)
20	Leva Lever	Acciaio al carbonio zincato Carbon steel galvanized (x)
21	Riduttore Gear box	Ghisa (verniciato) Cast iron (painted)
22	Volantino Handwheel	Acciaio al carbonio verniciato Carbon steel painted

* Componenti del kit di guarnizioni Components of seals kit

A richiesta disponibile in: Available on request:

(x): 304 s.s.

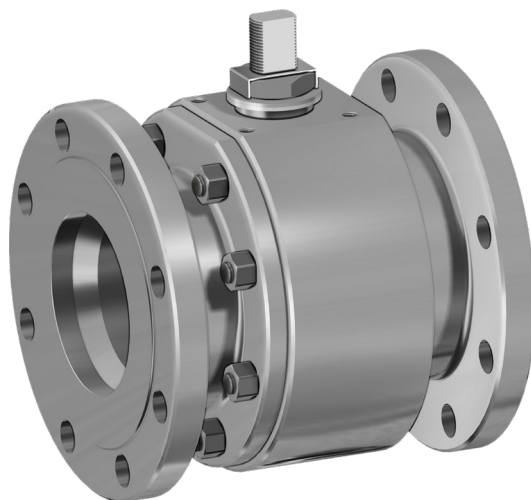
(xx): 301 s.s.

(2) DEVLON per DN200x150 ANSI300 DEVLON for DN200x150 ANSI300

(.): Altri materiali disponibili a richiesta Other materials available on request



THOR SPLIT BODY - ANSI 150-300 - PASSAGGIO RIDOTTO REDUCED BORE
ACCIAIO INOX STAINLESS STEEL
ASSE LIBERO E CON LEVA FREE SHAFT AND WITH LEVER



CODICI VALVOLE IN ACCIAIO INOX: ASSE LIBERO (V_) - CON LEVA (L_) - CON RIDUTTORE (R_)
STAINLESS STEEL VALVE CODE: FREE SHAFT (V_) - WITH LEVER (L_) - WITH GEARBOX (R_)

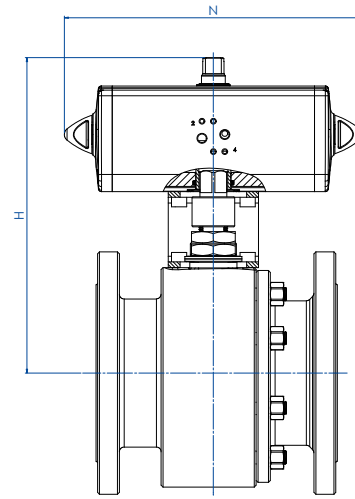
MISURA SIZE		ANSI	316 Stainless steel
DN [mm]	[inch]		
DN 20x15	3/4" x 1/2"	ANSI 150	V/LT135104ABA0ADQNV000
DN 20x15	3/4" x 1/2"	ANSI 300	V/LT135204ABA0ADQNV000
DN 25x20	1" x 3/4"	ANSI 150	V/LT136104ABA0ADQNV000
DN 25x20	1" x 3/4"	ANSI 300	V/LT136204ABA0ADQNV000
DN 32x25	1" 1/4 x 1"	ANSI 150	V/LT137104ABA0ADQNV000
DN 32x25	1" 1/4 x 1"	ANSI 300	V/LT137204ABA0ADQNV000
DN 40x32	1" 1/2 x 1" 1/4	ANSI 150	V/LT138104ABA0ADQNV000
DN 40x32	1" 1/2 x 1" 1/4	ANSI 300	V/LT138204ABA0AEQNV000
DN 50x40	2" x 1" 1/2	ANSI 150	V/LT139104ABA0AEQNV000
DN 50x40	2" x 1" 1/2	ANSI 300	V/LT139204ABA0AEQNV000
DN 65x50	2" 1/2 x 2"	ANSI 150	V/LT140104ABA0AEQNV000
DN 65x50	2" 1/2 x 2"	ANSI 300	V/LT140204ABA0AEQNV000
DN 80x65	3" x 2" 1/2	ANSI 150	V/LT141104ABA0AEQNV000
DN 80x65	3" x 2" 1/2	ANSI 300	V/LT141204ABA0AEQNV000
DN 100x80	4" x 3"	ANSI 150	V/LT142104ABA0AEQNV000
DN 100x80	4" x 3"	ANSI 300	V/LT142204ABA0AEQNV000
DN 125x100	5" x 4"	ANSI 150	V/LT143104ABA0AEQNV000
DN 125x100	5" x 4"	ANSI 300	V/LT143204ABA0AEQNV000
DN 150x100	6" x 4"	ANSI 150	V/LT174104ABA0AEQNV000
DN 150x100	6" x 4"	ANSI 300	V/LT174204ABA0AEQNV000
DN200X150(*)	8" x 6"	ANSI 150	V/RT145104ABA0AEQNV000
DN200X150	8" x 6"	ANSI 300	V/RT145204ABA0AEMNV000
DN250X200(*)	10" x 8"	ANSI 150	V/RT146104ABA0AEQNV000

DN250X200 ANSI300 disponibile a magazzino, contattare ufficio commerciale per verifica condizioni operative.
 DN250X200 ANSI300 on stock, check with our sales department for operating conditions.

Versione STANDARD con riduttore manuale per DN200x150 e DN250x200. STANDARD version with manual gearbox for DN200x150 and DN250x200.
 (*) A RICHIESTA versione con leva. ON REQUEST version with manual lever.



THOR SPLIT BODY - ANSI 150-300 - PASSAGGIO RIDOTTO REDUCED BORE
ACCIAIO INOX STAINLESS STEEL
CON ATTUATORE PNEUMATICO DA WITH DA PNEUMATIC ACTUATOR

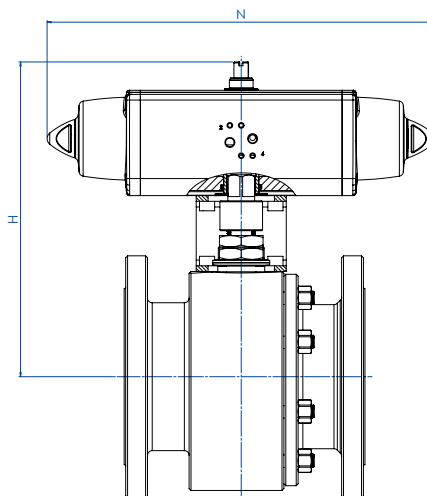
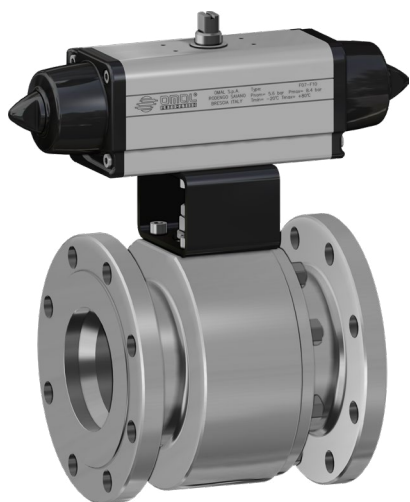


CODICI ARTICOLI IN 316 ACCIAIO INOX ITEM CODES IN 316 STAINLESS STEEL

MISURA SIZE		ANSI	CODICE ARTICOLO -316- ITEM CODE -316-	ATTUATORE ACTUATOR	KIT di montaggio Mounting KIT	N [mm]	H [mm]	Peso Kg Weight Kg
DN [mm]	SIZE [inch]							
DN20X15	3/4" x 1/2"	150	DT135104ABA0ADQNV000AFBA0	DAN0015411S	KCNAHD5312	159,0	154,2	4,0
DN20X15	3/4" x 1/2"	300	DT135204ABA0ADQNV000AFCA0	DAN0030411S	KCNAHD5312	174,2	161,2	5,5
DN25X20	1" x 3/4"	150	DT136104ABA0ADQNV000AFCA0	DAN0030411S	KCNAHD5312	174,2	164,2	5,3
DN25X20	1" x 3/4"	300	DT136204ABA0ADQNV000AFCA0	DAN0030411S	KCNAHD5312	174,2	164,2	6,6
DN32X25	1" 1/4 x 1"	150	DT137104ABA0ADQNV000AFCA0	DAN0030411S	KCNBCHD5315	174,2	181,2	6,7
DN32X25	1" 1/4 x 1"	300	DT137204ABA0ADQNV000AFCA0	DAN0030411S	KCNBCHD5315	174,2	181,2	8,6
DN40X32	1" 1/2 x 1" 1/4	150	DT138104ABA0ADQNV000AFDA0	DAN0045412S	KCNBCHD5315	188,5	191,5	9,5
DN40X32	1" 1/2 x 1" 1/4	300	DT138204ABA0AEQNV000AFDA0	DAN0045412S	KCNBCHD5315	188,5	191,5	12,6
DN50X40	2" x 1" 1/2	150	DT139104ABA0AEQNV000AFEAO	DAN0060412S	KCNCCHD5316	198,0	208,4	14,1
DN50X40	2" x 1" 1/2	300	DT139204ABA0AEQNV000AFEAO	DAN0060412S	KCNCCHD5316	198,0	208,4	16,4
DN65X50	2" 1/2 x 2"	150	DT140104ABA0AEQNV000AFGA0	DAN0106411S	KCNCCHD5317	237,0	230,3	21,6
DN65X50	2" 1/2 x 2"	300	DT140204ABA0AEQNV000AFHA0	DAN0120411S	KCNCCHD5317	244,1	234,0	24,9
DN80X65	3" x 2" 1/2	150	DT141104ABA0AEQNV000AFHA0	DAN0120411S	KCNDDHD5386	244,1	250,0	29,1
DN80X65	3" x 2" 1/2	300	DT141204ABA0AEQNV000AFIA0	DAN0180411S	KCNDDHD5319	289,9	280,5	39,3
DN100X80	4" x 3"	150	DT142104ABA0AEQNV000AFIA0	DAN0180411S	KCNDDHD5319	289,9	287,5	41,6
DN100X80	4" x 3"	300	DT142204ABA0AEQNV000AFJA0	DAN0240411S	KCNDDHD5320	313,6	297,1	57,6
DN125X100	5" x 4"	150	DT143104ABA0AEQNV000AFKA0	DAN0360411S	KCNEEHD5379	339,3	339,0	61,3
DN125X100	5" x 4"	300	DT143204ABA0AEQNV000AFLA0	DAN0480411S	KCNEEHD5322	387,6	355,9	91,1
DN150X100	6" x 4"	150	DT174104ABA0AEQNV000AFKA0	DAN0360411S	KCNEEHD5379	339,3	339,0	76,0
DN150X100	6" x 4"	300	DT174204ABA0AEQNV000AFLA0	DAN0480411S	KCNEEHD5322	387,6	355,9	103,6
DN200X150	8" x 6"	150	DT145104ABA0AEQNV000AFMA0	DAN0720411S	KCNFGHD5364	433,1	432,0	168,3
DN200X150	8" x 6"	300	DT145204ABA0AEMNV000AFRA0	DAN1920411S	KCNGGHD5600	601,0	491,7	222,9
DN250X200	10" x 8"	150	DT146104ABA0AEQNV000AFQA0	DAN1440411S	KCNGGHD5366	567,1	504,0	274,2



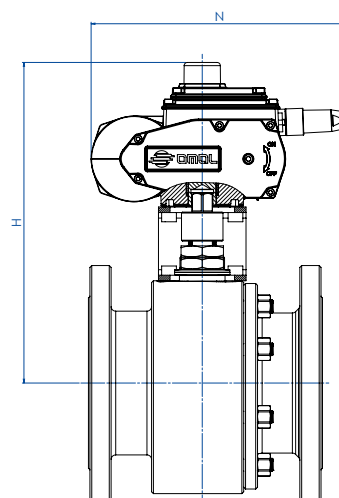
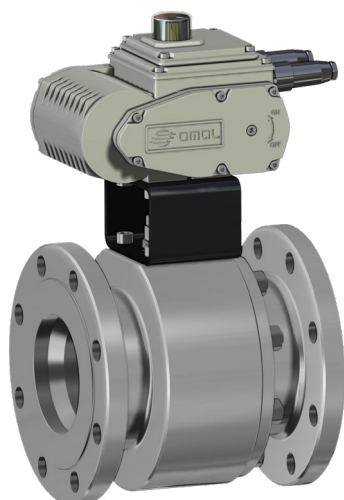
THOR SPLIT BODY - ANSI 150-300 - PASSAGGIO RIDOTTO REDUCED BORE
ACCIAIO INOX STAINLESS STEEL
CON ATTUATORE PNEUMATICO SR WITH SR PNEUMATIC ACTUATOR

**CODICI ARTICOLI IN 316 ACCIAIO INOX****ITEM CODES IN 316 STAINLESS STEEL**

MISURA SIZE		ANSI	CODICE ARTICOLO -316- ITEM CODE -316-	ATTUATORE ACTUATOR	KIT di montaggio Mounting KIT	N [mm]	H [mm]	Peso Kg Weight Kg
DN [mm]	SIZE [inch]							
DN20X15	3/4" x 1/2"	150	ST135104ABA0ADQNV000AFCA0	SRN0015401S	KCNAHD5312	233,2	161,2	4,5
DN20X15	3/4" x 1/2"	300	ST135204ABA0ADQNV000AFEAO	SRN0030402S	KCNACHD5324	258,8	182,4	6,6
DN25X20	1" x 3/4"	150	ST136104ABA0ADQNV000AFEAO	SRN0030402S	KCNACHD5324	258,8	185,4	6,4
DN25X20	1" x 3/4"	300	ST136204ABA0ADQNV000AFEAO	SRN0030402S	KCNACHD5324	258,8	185,4	7,7
DN32X25	1" 1/4 x 1"	150	ST137104ABA0ADQNV000AFEAO	SRN0030402S	KCNBCHD5327	258,8	192,4	7,7
DN32X25	1" 1/4 x 1"	300	ST137204ABA0ADQNV000AFEAO	SRN0030402S	KCNBCHD5327	258,8	192,4	9,6
DN40X32	1" 1/2 x 1" 1/4	150	ST138104ABA0ADQNV000AFGA0	SRN0053401S	KCNBCHD5328	304,2	210,3	11,4
DN40X32	1" 1/2 x 1" 1/4	300	ST138204ABA0AEQNV000AFGA0	SRN0053401S	KCNBCHD5328	304,2	210,3	14,5
DN50X40	2" x 1" 1/2	150	ST139104ABA0AEQNV000AFHA0	SRN0060401S	KCNCCHD5317	338,5	225,0	15,9
DN50X40	2" x 1" 1/2	300	ST139204ABA0AEQNV000AFHA0	SRN0060401S	KCNCCHD5317	338,5	225,0	18,2
DN65X50	2" 1/2 x 2"	150	ST140104ABA0AEQNV000AFIA0	SRN0090401S	KCNCDDHD5329	393,7	264,5	25,3
DN65X50	2" 1/2 x 2"	300	ST140204ABA0AEQNV000AFJA0	SRN0120401S	KCNCDDHD5329	409,6	268,1	29,4
DN80X65	3" x 2" 1/2	150	ST141104ABA0AEQNV000AFJA0	SRN0120401S	KCNDDHD5387	409,6	284,1	33,4
DN80X65	3" x 2" 1/2	300	ST141204ABA0AEQNV000AFKA0	SRN0180401S	KCNDDHD5319	474,0	291,0	43,6
DN100X80	4" x 3"	150	ST142104ABA0AEQNV000AFKA0	SRN0180401S	KCNDDHD5319	474,0	298,0	45,9
DN100X80	4" x 3"	300	ST142204ABA0AEQNV000AFLA0	SRN0240401S	KCNDEHD5331	520,5	341,0	64,2
DN125X100	5" x 4"	150	ST143104ABA0AEQNV000AFMA0	SRN0360401S	KCNEFHD5322	613,0	369,0	72,1
DN125X100	5" x 4"	300	ST143204ABA0AEQNV000AFNA0	SRN0480401S	KCNEFHD5392	648,2	389,0	104,7
DN150X100	6" x 4"	150	ST174104ABA0AEQNV000AFMA0	SRN0360401S	KCNEFHD5322	613,0	369,0	86,8
DN150X100	6" x 4"	300	ST174204ABA0AEQNV000AFNA0	SRN0480401S	KCNEFHD5392	648,2	389,0	117,2
DN200X150	8" x 6"	150	ST145104ABA0AEQNV000AFQA0	SRN0720401S	KCNGGHD5368	798,0	470,0	189,5
DN200X150	8" x 6"	300	ST145204ABA0AEMNV000AFVA0	SR1920E1608A	KCNGHHD5349	1001,0	568,5	257,9
DN250X200	10" x 8"	150	ST146104ABA0AEQNV000AFSA0	SR1440E16D8A	KCNGHHD5370	834,0	647,0	326,2



THOR SPLIT BODY - ANSI 150-300 - PASSAGGIO RIDOTTO *REDUCED BORE* ACCIAIO INOX *STAINLESS STEEL* CON ATTUATORE ELETTRICO *WITH ELECTRIC ACTUATOR*

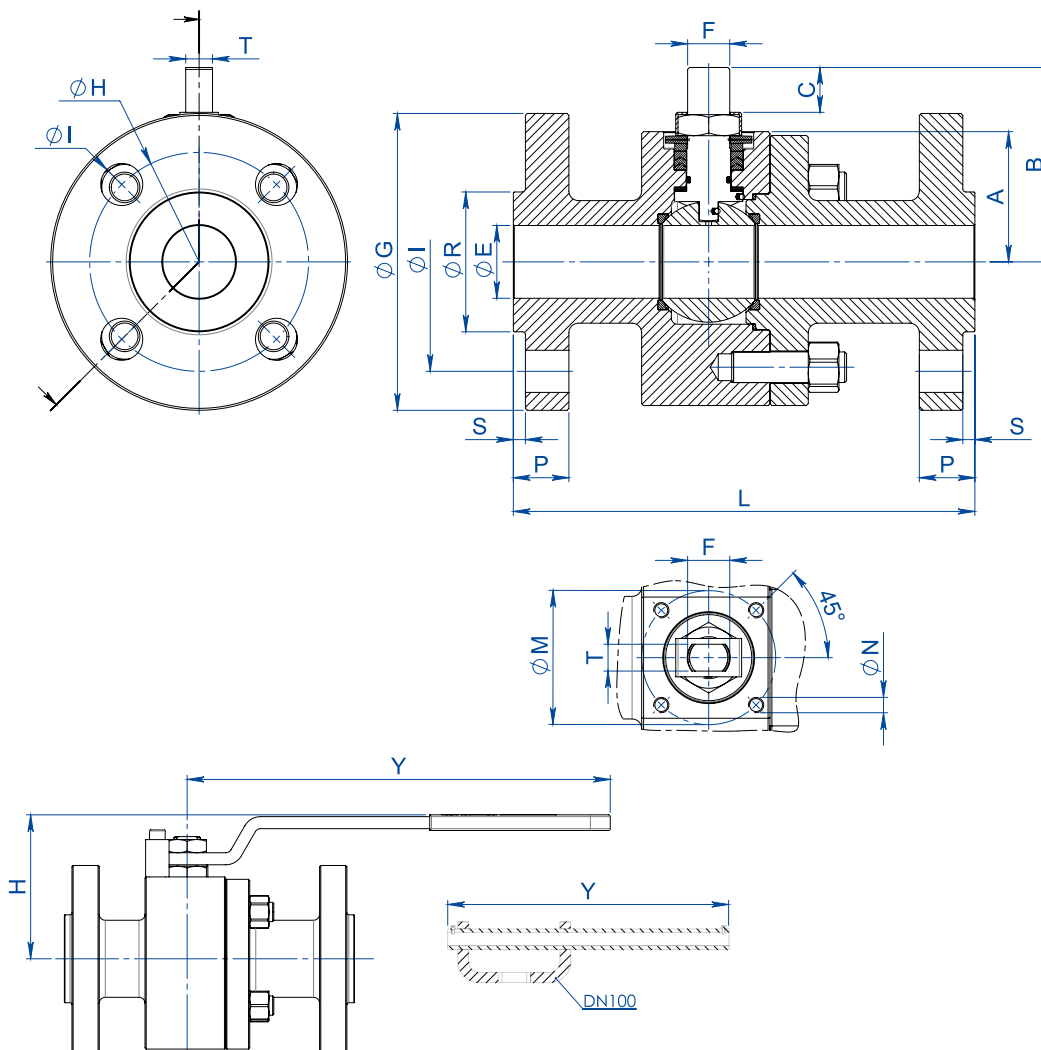


CODICI ARTICOLI IN 316 ACCIAIO INOX *ITEM CODES IN 316 STAINLESS STEEL*

MISURA <i>SIZE</i>		ANSI	CODICE ARTICOLO -316- <i>ITEM CODE -316-</i>	ATTUATORE <i>ACTUATOR</i>	KIT di montaggio <i>Mounting KIT</i>	N [mm]	H [mm]	Peso Kg <i>Weight Kg</i>
DN [mm]	[inch]							
DN20X15	3/4" x 1/2"	150	ET135104ABA0ADQNV000AMEG0	EA0035A5C000	KCNACHD5324	250,0	229,0	7,1
DN20X15	3/4" x 1/2"	300	ET135204ABA0ADQNV000AMEG0	EA0035A5C000	KCNACHD5324	250,0	229,0	8,3
DN25X20	1" x 3/4"	150	ET136104ABA0ADQNV000AMEG0	EA0035A5C000	KCNACHD5324	250,0	232,0	8,1
DN25X20	1" x 3/4"	300	ET136204ABA0ADQNV000AMEG0	EA0035A5C000	KCNACHD5324	250,0	232,0	9,4
DN32X25	1" 1/4 x 1"	150	ET137104ABA0ADQNV000AMEG0	EA0035A5C000	KCNBCHD5327	250,0	239,0	9,3
DN32X25	1" 1/4 x 1"	300	ET137204ABA0ADQNV000AMEG0	EA0035A5C000	KCNBCHD5327	250,0	239,0	11,2
DN40X32	1" 1/2 x 1" 1/4	150	ET138104ABA0ADQNV000AMGG0	EA0070A5C000	KCNBCHD5327	250,0	244,0	12,1
DN40X32	1" 1/2 x 1" 1/4	300	ET138204ABA0AEQNV000AMGG0	EA0070A5C000	KCNBCHD5327	250,0	244,0	15,2
DN50X40	2" x 1" 1/2	150	ET139104ABA0AEQNV000AMGG0	EA0070A5C000	KCNCCHD5316	250,0	255,0	16,3
DN50X40	2" x 1" 1/2	300	ET139204ABA0AEQNV000AMGG0	EA0070A5C000	KCNCCHD5316	250,0	255,0	18,6
DN65X50	2" 1/2 x 2"	150	ET140104ABA0AEQNV000AMIG0	EA0130A5C000	KCNCCHD5317	280,0	284,5	26,3
DN65X50	2" 1/2 x 2"	300	ET140204ABA0AEQNV000AMIG0	EA0130A5C000	KCNCCHD5317	280,0	284,5	29,5
DN80X65	3" x 2" 1/2	150	ET141104ABA0AEQNV000AMIG0	EA0130A5C000	KCNDDHD5386	280,0	300,5	33,7
DN80X65	3" x 2" 1/2	300	ET141204ABA0AEQNV000AMKGO	EA0240A5C000	KCNDDHD5319	280,0	300,5	42,2
DN100X80	4" x 3"	150	ET142104ABA0AEQNV000AMKGO	EA0240A5C000	KCNDDHD5319	280,0	307,5	44,5
DN100X80	4" x 3"	300	ET142204ABA0AEQNV000AMKGO	EA0240A5C000	KCNDDHD5320	280,0	313,5	59,7
DN125X100	5" x 4"	150	ET143104ABA0AEQNV000AMNAO	AE160040	KCNEEHV5337	256,5	376,0	64,1
DN125X100	5" x 4"	300	ET143204ABA0AEQNV000AMNAO	AE160040	KCNEEHV5337	256,5	376,0	90,0
DN150X100	6" x 4"	150	ET174104ABA0AEQNV000AMNAO	AE160040	KCNEEHV5337	256,5	376,0	78,8
DN150X100	6" x 4"	300	ET174204ABA0AEQNV000AMNAO	AE160040	KCNEEHV5337	256,5	376,0	102,5
DN200X150	8" x 6"	150	ET145104ABA0AEQNV000AMTAO	AE160100	KCNFGHV5372	381,0	488,0	178,7
DN200X150	8" x 6"	300	ET145204ABA0AEMNV000AMXAO	AE160200	KCNFGHV5374	381,0	488,0	212,7
DN250X200	10" x 8"	150	ET146104ABA0AEQNV000AMTAO	AE160100	KCNFGHV5375	381,0	522,0	272,7



THOR SPLIT BODY PN 63-100 ANSI 600



DIMENSIONI DIMENSIONS -PN-

MISURA DN [mm]	SIZE [inch]	PN	ØE	A	B	C	ATT. ISO	ØM	ØN	F/T	ØG	ØR	S	ØH	N° FORI HOLES ^{N°}	ØI	P	Kg	L	H	Y	KIT LEVA LEVER KIT	KIT GUARNIZIONI SEALS KIT
DN15	1/2"	63-100	13	40	54,5	9,6	F04	42	M5	12/8	105	45	2	75	4	14	20	6,3	165	80	150	KLV58006	KGBV472040
DN20	3/4"	63-100	19	45	57,5	9,6	F04	42	M5	12/8	130	58	2	90	4	18	22	7,9	190	83	150	KLV58006	KGBV472050
DN25	1"	63-100	25	50	71,5	14,6	F05	50	M6	16/10	140	68	2	100	4	18	24	11,0	216	95	275	KLV58008	KGBV472060
DN32	1 1/4"	63-100	32	55	76,5	14,6	F05	50	M6	16/10	155	78	2	110	4	22	24	13,7	229	100	275	KLV58008	KGBV472070
DN40	1 1/2"	63-100	38	68	98,5	20,4	F07	70	M8	22/14	170	88	3	125	4	22	26	20,4	241	120	350	KLV58010	KGBV472080
DN50	2"	63	51	74	107,5	20,4	F07	70	M8	22/14	180	102	3	135	4	22	26	25,1	292	129	350	KLV58010	KGBV472090
DN50	2"	100	51	74	107,5	20,4	F07	70	M8	22/14	195	102	3	145	4	26	28	27,3	292	129	350	KLV58010	KGBV472090
DN65	2 1/2"	63	64	94	144	25,1	F10	102	M10	30/18	205	122	3	160	8	22	26	44,0	330	180	450	KLV58012	KGBV472100
DN65	2 1/2"	100	64	94	144	25,1	F10	102	M10	30/18	220	122	3	170	8	26	30	47,0	330	180	450	KLV58012	KGBV472100
DN80	3"	63	76	101,5	151,5	25,1	F10	102	M10	30/18	215	138	3	170	8	22	28	51,9	356	188	450	KLV58012	KGBV472110
DN80	3"	100	76	101,5	151,5	25,1	F10	102	M10	30/18	230	138	3	180	8	26	32	55,3	356	188	450	KLV58012	KGBV472110
DN100	4"	63	102	126	196,5	40,5	F14	140	M16	45/30	250	162	3	200	8	26	30	102	432	233	800	KLV58014	KGBV472120
DN100	4"	100	102	126	196,5	40,5	F14	140	M16	45/30	265	162	3	210	8	30	36	106	432	233	800	KLV58014	KGBV472120

DIMENSIONI DIMENSIONS -ANSI-

MISURA DN [mm]	SIZE [inch]	ANSI	ØE	A	B	C	ATT. ISO	ØM	ØN	F/T	ØG	ØR	S	ØH	N° FORI HOLES ^{N°}	ØI	P	Kg	L	H	Y	KIT LEVA LEVER KIT	KIT GUARNIZIONI SEALS KIT
DN15	1/2"	600	13	40	54,5	9,6	F04	42	M5	12/8	95	35,1	6,4	66,5	4	16	21,0	5,5	165	80	150	KLV58006	KGBV472040
DN20	3/4"	600	19	45	57,5	9,6	F04	42	M5	12/8	118	42,9	6,4	82,6	4	19	22,6	6,5	190	83	150	KLV58006	KGBV472050
DN25	1"	600	25	50	71,5	14,6	F05	50	M6	16/10	125	50,8	6,4	88,9	4	19	24,4	9,3	216	95	275	KLV58008	KGBV472060
DN32	1 1/4"	600	32	55	76,5	14,6	F05	50	M6	16/10	135	63,5	6,4	98,6	4	19	27,4	12,1	229	100	275	KLV58008	KGBV472070
DN40	1 1/2"	600	38	68	98,5	20,4	F07	70	M8	22/14	155	73	6,4	114,3	4	22	29,1	18,9	241	120	350	KLV58010	KGBV472080
DN50	2"	600	51	74	107,5	20,4	F07	70	M8	22/14	165	91,9	6,4	127	8	19	32,1	23,9	292	129	350	KLV58010	KGBV472090
DN65	2 1/2"	600	64	94	144	25,1	F10	102	M10	30/18	190	104,6	6,4	149,4	8	22	36,1	44,3	330	180	450	KLV58012	KGBV472100
DN80	3"	600	76	101,5	151,5	25,1	F10	102	M10	30/18	210	127	6,4	168,1	8	22	39,1	54,0	356	188	450	KLV58012	KGBV472110
DN100	4"	600	102	126	196,5	40,5	F14	140	M16	45/30	275	157,2	6,4	215,9	8	25,5	45,1	113	432	233	800	KLV58014	KGBV472120



THOR SPLIT BODY PN 63-100 ANSI 600

DIAGRAMMA PRESSIONE/TEMPERATURA PER VALVOLE CON CORPO IN ACCIAIO AL CARBONIO TEMPERATURE/PRESSURE DIAGRAM FOR CARBON STEEL VALVE

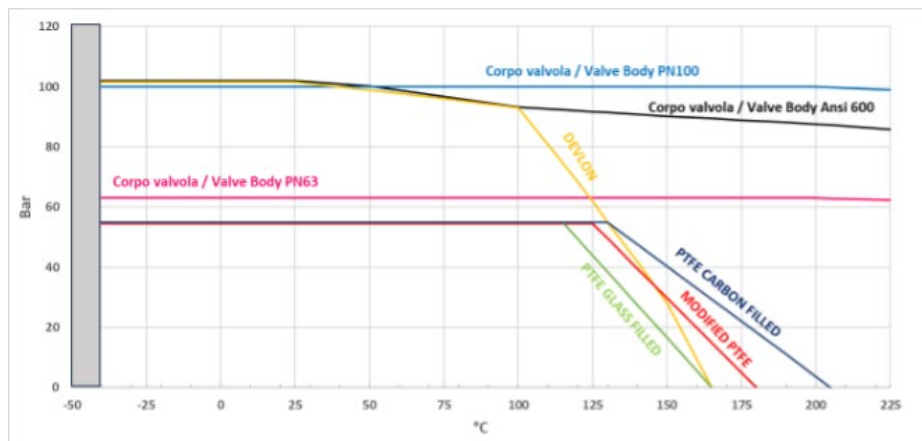


DIAGRAMMA PRESSIONE/TEMPERATURA PER VALVOLE CON CORPO IN ACCIAIO INOX TEMPERATURE/PRESSURE DIAGRAM FOR STAINLESS STEEL VALVE

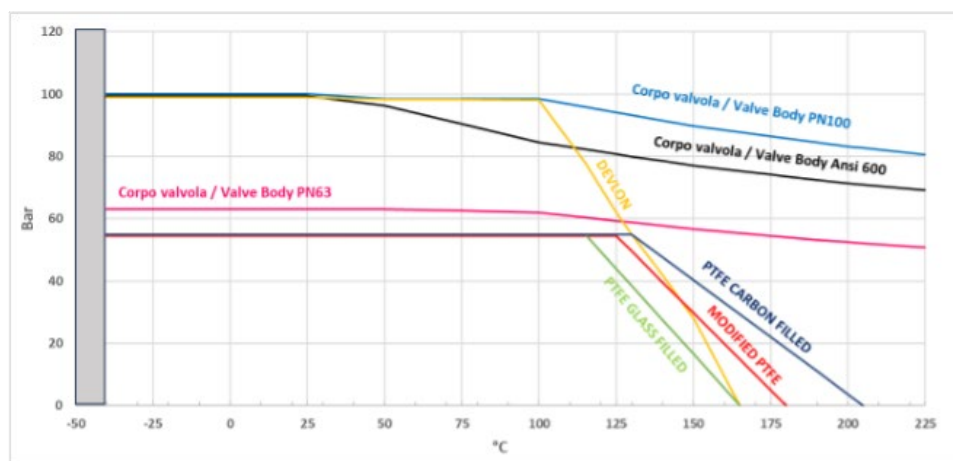
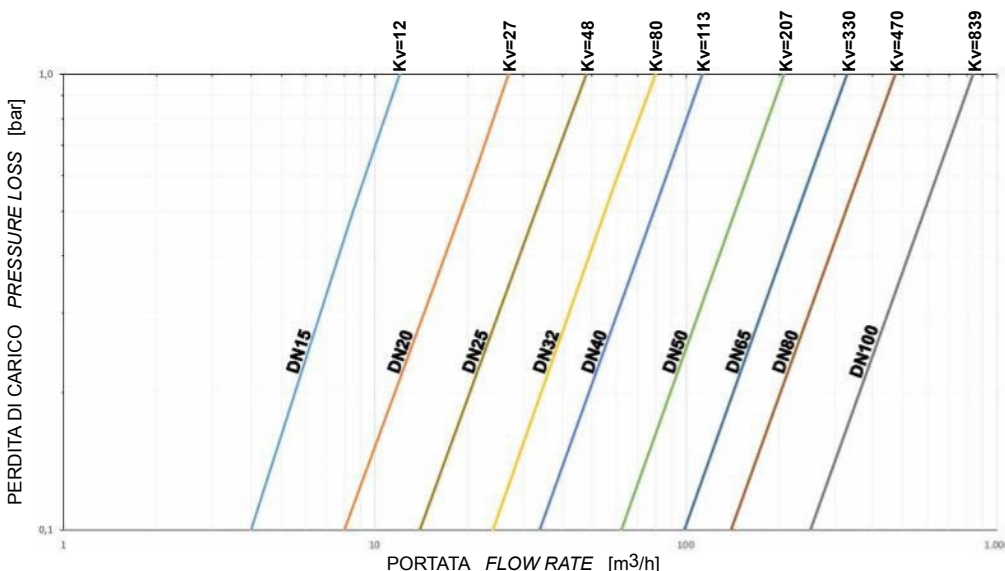


DIAGRAMMA PORTATA/PERDITA DI CARICO E COEFFICIENTE NOMINALE Kv FLOW/PRESSURE LOSS DIAGRAM AND Kv NOMINAL COEFFICIENT



Il valore Kv è il valore di portata in m³/h (con acqua a 15°C) che provoca la caduta di pressione di 1 bar.

Kv is the coefficient, expressed in m³/h (with water at 15°C) causing a pressure loss of 1 bar.



THOR SPLIT BODY PN 63-100 ANSI 600

ACCIAIO AL CARBONIO CARBON STEEL



ESECUZIONE STANDARD

- Sfera flottante, passaggio totale. Disponibili versioni a passaggio ridotto.
- Tenuta soft-seat DEVLON.
- Norme per flange d'attacco ASME B16.5; EN1092-1.
- Temperature di utilizzo vedi diagramma pressione temperatura.
- Classe di pressione: ANSI 600 / PN63-100.
- Classe di tenuta: EN12266-1 rate A.
- Fluido intercettato: prodotti petroliferi, fluidi autolubrificanti (liquidi e gassosi), purchè compatibili con i materiali costruttivi. Per fluidi non-autolubrificanti (acqua, ...) o altre applicazioni rivolgersi all'ufficio commerciale.
- Antistatic device EN12266-2.
- Tenuta stelo: pacco a V di serie in PTFE Modificato.
- Tenuta addizionale su stelo con O-ring FKM.
- Stelo anti Blow-out.
- Foratura piano per attuatore a norma ISO 5211.
- Angolo di chiusura >7°.
- Trattamento superficiale brunitura.

STANDARD FEATURES

- Floating ball, full bore. Available reduce bore version.
- Soft-seat seal DEVLON.
- Standard for connecting flanges: ASME B16.5; EN1092-1.
- Operating temperature see temperature pressure diagram.
- Pressure class: ANSI 600 / PN63-100.
- Tightness Class: EN12266-1 rate A.
- Intercepted fluid: petrochemical products, self-lubricating fluids (liquid and gaseous), compatible with the constructive materials. For non-self-lubricating fluids (water, ...) or other applications, contact our sales department.
- Antistatic device EN12266-2.
- Stem seal: Modified PTFE V-ring packing.
- Additional seal on stem with FKM O-ring.
- Anti Blow-out stem.
- Actuator connection as per standard ISO 5211.
- Closing angle >7°.
- Superficial treatment: blueing.

ESECUZIONI A RICHIESTA

- Esecuzione per temperatura -40 C° in LF2.
- Per altri tipi di flangiature contattare il nostro ufficio commerciale.
- Guarnizioni di tenuta in:PTFE caricato vetro (PTFE-GF), PTFE caricato carbografito (PTFE-CF). Per altri tipi di materiale contattare il nostro ufficio commerciale.
- Esecuzione monodirezionale con foro di compensazione della pressione nella sfera.
- Leva inox.
- Dadi e molle stelo inox.
- Per esecuzioni speciali con materiali (corpo/sfera/stelo) diversi dallo standard contattare il nostro ufficio commerciale.
- Trattamento superficiale: zincatura bianca, verniciatura epossidica, (per altri trattamenti contattare il nostro ufficio commerciale).
- Marcatura e certificato ATEX A RICHIESTA.

FEATURES ON REQUEST

- LF2 carbon steel for low temperature execution (-40 C°).
- For other flange types please contact our sales department.
- Sealing in: PTFE reinforced with glass (PTFE-GF), PTFE reinforced with carbon-graphite (PTFE-CF). For other types of materials please contact our sales department.
- Mono-directional version with pressure-compensating hole in the ball
- Stainless steel lever.
- For special versions in materials different from the standard (body, ball, stem), please contact our sales department.
- Stainless steel Stem nuts and springs.
- Superficial treatment: white zinc coating, epoxy coating.
- For other coating please contact our sales department.
- ATEX marking and certificate ON REQUEST.

CERTIFICAZIONI

- Conforme alla direttiva Europea 2014/68/UE PED; Fugitive Emission ISO 15848 (ISO FE BH-C03-SSA 0); TA-LUFT VDI 2440; FIRE SAFE: ISO 10497 Third ed. 2010 / API 607 Sixth ed. 2010.
- Livello di sicurezza funzionale fino a SIL 3 in accordo a IEC 61508.
- Conforme alla direttiva ATEX 2014/34/UE, certificato ATEX A RICHIESTA.

CERTIFICATIONS

- In compliance with European Directive 2014/68/EU PED; Fugitive Emission ISO 15848 (ISO FE BH-C03-SSA 0); TA-LUFT VDI 2440; FIRE SAFE: ISO 10497 Third ed. 2010 / API 607 Sixth ed. 2010.
- Safety integrity level up to SIL 3 according to the IEC 61508.
- In compliance with ATEX 2014/34/EU Directive, ATEX certificate ON REQUEST.

NORME DI PROGETTAZIONE

- Spessori corpo in accordo a: ASME B16.34, ASME VIII div.1, EN 12516.
- **API 6D (A RICHIESTA).**
- Materiali e rating in accordo ad ASME B16.34 per valvole ANSI ed EN 12516 per valvole PN.

ENGINEERING STANDARD

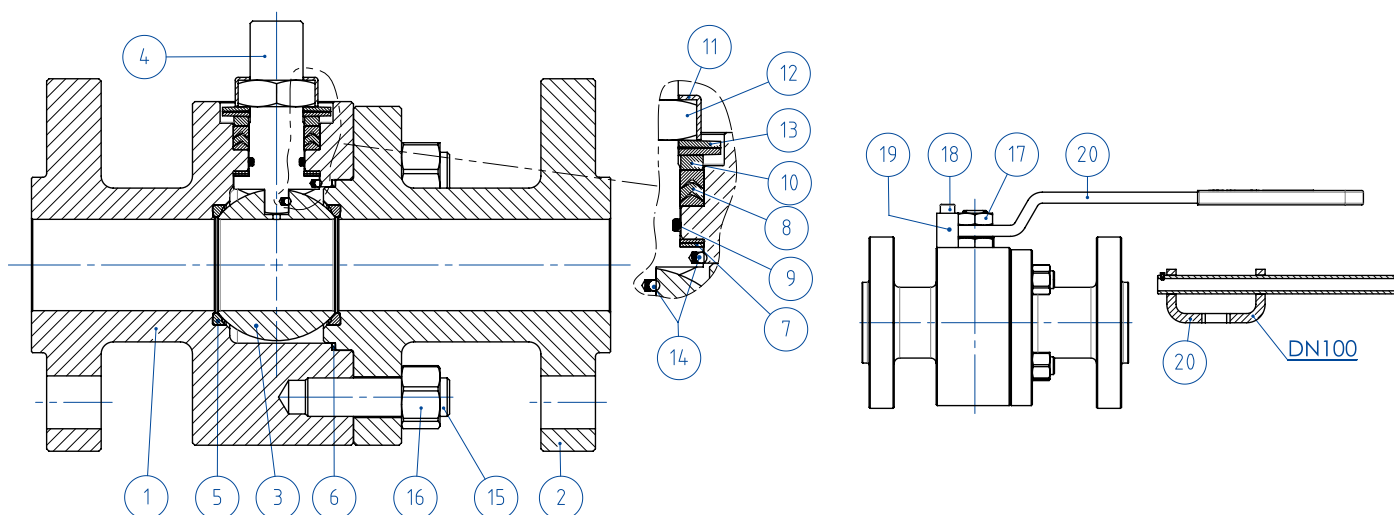
- Body thickness in compliance with: ASME B16.34, ASME VIII div.1, EN 12516.
- **API 6D (ON REQUEST).**
- Materials and rating in compliance with ASME B16.34 for ANSI valves and EN 12516 for PN valves.



THOR SPLIT BODY - PN 63-100 ANSI 600

ACCIAIO AL CARBONIO CARBON STEEL

TABELLA DEI MATERIALI MATERIALS TABLE



		MATERIALI MATERIALS	
SPLIT BODY PN63-100 ANSI 600		acciaio al carbonio	carbon steel
N°	Descrizione Description	A105 Carbon steel	A350 LF2 Carbon steel
1	Corpo Body	ASTM A105	ASTM A350 LF2
2	Terminale Connector		
3	Sfera Ball	ASTM A351 CF8 (**)(**) (1.4308/Gx5CrNi19-10)	
4	Stelo Stem	A564 TP.630 (17-4PH)	
5*	Seggio Seat	DEVLON (.)	
6*	Guarnizione corpo-terminale Body-connector gasket	GRAFOIL	
7*	Tenuta inferiore stelo Stem lower sealing	PTFE Modificato Modified PTFE (.) (2)	
8*	Pacco a V Chevron rings	PTFE Modificato Modified PTFE (.)	
9*	O-ring stelo Stem o-ring	FKM (.)	
10	Anello premiguarnizione Packing gland ring	Acciaio al carbonio zincato Carbon steel galvanized (x) (1)	
11	Piastra blocca dado Stop nut plate	304 S.S.	
12	Dado stelo Stem nut	Acciaio al carbonio zincato Carbon steel galvanized (x)	
13	Molle a tazza Springs washer	Acciaio al carbonio zincato Carbon steel galvanized (xx)	
14	Dispositivo antistatico Antistatic device	316 S.S.	
15	Tiranti Stud bolt	ASTM A193-B7	ASTM A320-L7M
16	Dadi Nut	ASTM A194-Gr.2H	ASTM A194-Gr.7M
17	Controdado Lock nut	Acciaio al carbonio zincato Carbon steel galvanized (x)	
18	Vite di fermo Holder screw	A2-70 (304 S.S.)	
19	Fermo di posizione Holder screw	Acciaio al carbonio zincato Carbon steel galvanized (x)	
20	Leva Lever	Fe37 zincato - Galvanized (x)	

* Componenti del kit di guarnizioni Components of seals kit

A richiesta disponibile in: Available on request:

(*): A351 CF8M

(**): Per \leq DN32 disponibile solo in CF8M For \leq DN32 available only in CF8M

(x): 304 s.s.

(xx): 301 s.s.

(1): Per DN100 disponibile solo in 304 DN100 available only in 304

(2) : per \leq DN32 disponibile solo in DEVLON for \leq DN32 available only in DEVLON

(.): Altri materiali disponibili a richiesta Other materials available on request



THOR SPLIT BODY - PN 63-100 ANSI 600
ACCIAIO AL CARBONIO CARBON STEEL
ASSE LIBERO E CON LEVA FREE SHAFT AND WITH LEVER



CERTIFICATO API 6D SOLO PER VALVOLE ANSI
 API 6D CERTIFICATE ONLY FOR ANSI VALVES

**CODICI VALVOLE ASSE LIBERO (V_) E CON LEVA (L_) IN ACCIAIO AL CARBONIO -PN-
 CARBON STEEL BARE SHAFT (V_) AND LEVER (L_) OPERATED VALVE CODE -PN-**

MISURA DN [mm]	SIZE [inch]	PN	A105 Carbon steel	LF2 Carbon steel
DN 15	1/2"	PN 63-100	V/LT104N03CAA0AFMRV00B	V/LT104N03CBA0AHMRV00B
DN 20	3/4"	PN 63-100	V/LT105N03CAA0AFMRV00B	V/LT105N03CBA0AHMRV00B
DN 25	1"	PN63-100	V/LT106N03CAA0AGMRV00B	V/LT106N03CBA0AIMRV00B
DN 32	1" 1/4	PN63-100	V/LT107N03CAA0AGMRV00B	V/LT107N03CBA0AIMRV00B
DN 40	1" 1/2	PN63-100	V/LT108N03CAB0AGMNV00B	V/LT108N03CBB0AIMNV00B
DN 50	2"	PN63	V/LT109K03CAB0AGMNV00B	V/LT109K03CBB0AIMNV00B
DN 50	2"	PN100	V/LT109L03CAB0AGMNV00B	V/LT109L03CBB0AIMNV00B
DN 65	2" 1/2	PN63	V/LT110K03CAB0AGMNV00B	V/LT110K03CBB0AIMNV00B
DN 65	2" 1/2	PN100	V/LT110L03CAB0AGMNV00B	V/LT110L03CBB0AIMNV00B
DN 80	3"	PN63	V/LT111K03CAB0AGMNV00B	V/LT111K03CBB0AIMNV00B
DN 80	3"	PN100	V/LT111L03CAB0AGMNV00B	V/LT111L03CBB0AIMNV00B
DN 100	4"	PN63	V/LT112K03CAB0AGMNV00B	V/LT112K03CBB0AIMNV00B
DN 100	4"	PN100	V/LT112L03CAB0AGMNV00B	V/LT112L03CBB0AIMNV00B

**CODICI VALVOLE ASSE LIBERO (V_) E CON LEVA (L_) IN ACCIAIO AL CARBONIO -ANSI-
 CARBON STEEL BARE SHAFT (V_) AND LEVER (L_) OPERATED VALVE CODE -ANSI-**

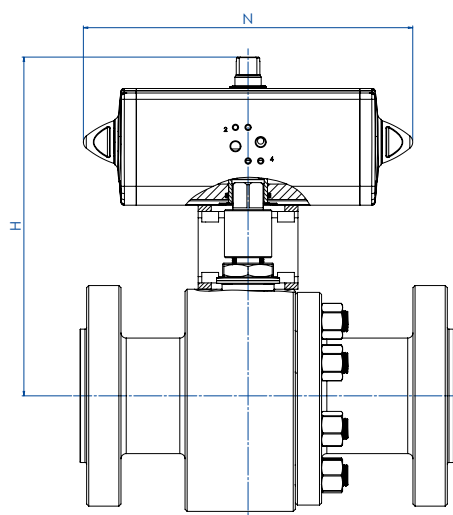
MISURA DN [mm]	SIZE [inch]	ANSI	A105 Carbon steel	LF2 Carbon steel
DN 15	1/2"	ANSI 600	V/LT104404CAA0AFMRV00B	V/LT104404CBA0AHMRV00B
DN 20	3/4"	ANSI 600	V/LT105404CAA0AFMRV00B	V/LT105404CBA0AHMRV00B
DN 25	1"	ANSI 600	V/LT106404CAA0AGMRV00B	V/LT106404CBA0AIMRV00B
DN 32	1" 1/4	ANSI 600	V/LT107404CAA0AGMRV00B	V/LT107404CBA0AIMRV00B
DN 40	1" 1/2	ANSI 600	V/LT108404CAB0AGMNV00B	V/LT108404CBB0AIMNV00B
DN 50	2"	ANSI 600	V/LT109404CAB0AGMNV00B	V/LT109404CBB0AIMNV00B
DN 65	2" 1/2	ANSI 600	V/LT110404CAB0AGMNV00B	V/LT110404CBB0AIMNV00B
DN 80	3"	ANSI 600	V/LT111404CAB0AGMNV00B	V/LT111404CBB0AIMNV00B
DN 100	4"	ANSI 600	V/LT112404CAB0AGMNV00B	V/LT112404CBB0AIMNV00B



THOR SPLIT BODY - PN 63-100

ACCIAIO AL CARBONIO CARBON STEEL

CON ATTUATORE PNEUMATICO DA WITH DA PNEUMATIC ACTUATOR



CODICI ARTICOLI IN A105 ACCIAIO AL CARBONIO ITEM CODES IN A105 CARBON STEEL

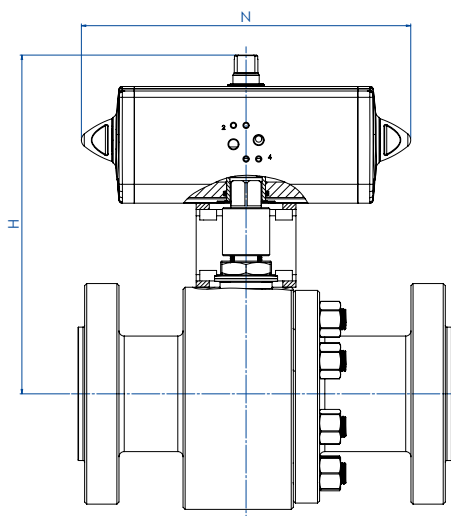
MISURA DN [mm]	SIZE [inch]	PN	CODICE ARTICOLO ITEM CODE	ATTUATORE ACTUATOR	KIT di montaggio Mounting KIT	N [mm]	H [mm]	Peso Kg Weight Kg
DN 15	1/2"	PN 63-100	DT104N03CAA0AFMRV00BAFCA0	DAN0030411S	KCNBCHD5340	174,2	179,2	8,0
DN 20	3/4"	PN 63-100	DT105N03CAA0AFMRV00BAFDA0	DAN0045412S	KCNBCHD5341	188,5	189,5	9,8
DN 25	1"	PN 63-100	DT106N03CAA0AGMRV00BAFEA0	DAN0060412S	KCNCCHD5342	198,0	200,4	13,4
DN 32	1" 1/4	PN 63-100	DT107N03CAA0AGMRV00BAFGA0	DAN0106411S	KCNCCHD5343	237,0	218,3	17,0
DN 40	1" 1/2	PN 63-100	DT108N03CAB0AGMNV00BAFHA0	DAN0120411S	KCNDHD5344	244,1	235,0	24,0
DN 50	2"	PN 63	DT109K03CAB0AGMNV00BAFIA0	DAN0180411S	KCNDHD5393	289,9	271,5	30,9
DN 50	2"	PN 100	DT109L03CAB0AGMNV00BAFIA0	DAN0180411S	KCNDHD5393	289,9	271,5	33,1
DN 65	2" 1/2	PN 63	DT110K03CAB0AGMNV00BAFJA0	DAN0240411S	KCNEEHD5346	313,6	315,1	51,3
DN 65	2" 1/2	PN 100	DT110L03CAB0AGMNV00BAFJA0	DAN0240411S	KCNEEHD5346	313,6	315,1	54,3
DN 80	3"	PN 63	DT111K03CAB0AGMNV00BAFKA0	DAN0360411S	KCNEEHD5346	339,3	329,5	60,3
DN 80	3"	PN 100	DT111L03CAB0AGMNV00BAFKA0	DAN0360411S	KCNEEHD5346	339,3	329,5	63,3
DN 100	4"	PN 63	DT112K03CAB0AGMNV00BAFMA0	DAN0720411S	KCNFGHD5365	433,1	404,0	118,9
DN 100	4"	PN 100	DT112L03CAB0AGMNV00BAFMA0	DAN0720411S	KCNFGHD5365	433,1	404,0	122,9

CODICI ARTICOLI IN LF2 ACCIAIO AL CARBONIO ITEM CODES IN LF2 CARBON STEEL

MISURA DN [mm]	SIZE [inch]	PN	CODICE ARTICOLO ITEM CODE	ATTUATORE ACTUATOR	KIT di montaggio Mounting KIT	N [mm]	H [mm]	Peso Kg Weight Kg
DN 15	1/2"	PN 63-100	DT104N03CBA0AHMRV00BAFCA0	DAN0030411S	KCNBCHD5340	174,2	179,2	8,0
DN 20	3/4"	PN 63-100	DT105N03CBA0AHMRV00BAFDA0	DAN0045412S	KCNBCHD5341	188,5	189,5	9,8
DN 25	1"	PN 63-100	DT106N03CBA0AIMRV00BAFEA0	DAN0060412S	KCNCCHD5342	198,0	200,4	13,4
DN 32	1" 1/4	PN 63-100	DT107N03CBA0AIMRV00BAFGA0	DAN0106411S	KCNCCHD5343	237,0	218,3	17,0
DN 40	1" 1/2	PN 63-100	DT108N03CBB0AIMNV00BAFHA0	DAN0120411S	KCNDHD5344	244,1	235,0	24,0
DN 50	2"	PN 63	DT109K03CBB0AIMNV00BAFIA0	DAN0180411S	KCNDHD5393	289,9	271,5	30,9
DN 50	2"	PN 100	DT109L03CBB0AIMNV00BAFIA0	DAN0180411S	KCNDHD5393	289,9	271,5	33,1
DN 65	2" 1/2	PN 63	DT110K03CBB0AIMNV00BAFJA0	DAN0240411S	KCNEEHD5346	313,6	315,1	51,3
DN 65	2" 1/2	PN 100	DT110L03CBB0AIMNV00BAFJA0	DAN0240411S	KCNEEHD5346	313,6	315,1	54,3
DN 80	3"	PN 63	DT111K03CBB0AIMNV00BAFKA0	DAN0360411S	KCNEEHD5346	339,3	329,5	60,3
DN 80	3"	PN 100	DT111L03CBB0AIMNV00BAFKA0	DAN0360411S	KCNEEHD5346	339,3	329,5	63,3
DN 100	4"	PN 63	DT112K03CBB0AIMNV00BAFMA0	DAN0720411S	KCNFGHD5365	433,1	404,0	118,9
DN 100	4"	PN 100	DT112L03CBB0AIMNV00BAFMA0	DAN0720411S	KCNFGHD5365	433,1	404,0	122,9



THOR SPLIT BODY - ANSI 600
ACCIAIO AL CARBONIO CARBON STEEL
CON ATTUATORE PNEUMATICO DA WITH DA PNEUMATIC ACTUATOR



CODICI ARTICOLI IN A105 ACCIAIO AL CARBONIO ITEM CODES IN A105 CARBON STEEL

MISURA DN [mm]	SIZE [inch]	ANSI	CODICE ARTICOLO ITEM CODE	ATTUATORE ACTUATOR	KIT di montaggio Mounting KIT	N [mm]	H [mm]	Peso Kg Weight Kg
DN 15	1/2"	ANSI 600	DT104404CAA0AFMRV00BAFCA0	DAN0030411S	KCNBCHD5340	174,2	179,2	7,2
DN 20	3/4"	ANSI 600	DT105404CAA0AFMRV00BAFDA0	DAN0045412S	KCNBCHD5341	188,5	189,5	8,4
DN 25	1"	ANSI 600	DT106404CAA0AGMRV00BAFEA0	DAN0060412S	KCNCCHD5342	198,0	200,4	11,7
DN 32	1" 1/4	ANSI 600	DT107404CAA0AGMRV00BAFGA0	DAN0106411S	KCNCCHD5343	237,0	218,3	15,4
DN 40	1" 1/2	ANSI 600	DT108404CAB0AGMNV00BAFHA0	DAN0120411S	KCNDDHD5344	244,1	235,0	22,5
DN 50	2"	ANSI 600	DT109404CAB0AGMNV00BAFIA0	DAN0180411S	KCNDDHD5393	289,9	271,5	29,7
DN 65	2" 1/2	ANSI 600	DT110404CAB0AGMNV00BAFJA0	DAN0240411S	KCNEEHD5346	313,6	315,1	51,6
DN 80	3"	ANSI 600	DT111404CAB0AGMNV00BAFKA0	DAN0360411S	KCNEEHD5346	339,3	329,5	62,4
DN 100	4"	ANSI 600	DT112404CAB0AGMNV00BAFMA0	DAN0720411S	KCNFGHD5365	433,1	404,0	129,9

CODICI ARTICOLI IN LF2 ACCIAIO AL CARBONIO ITEM CODES IN LF2 CARBON STEEL

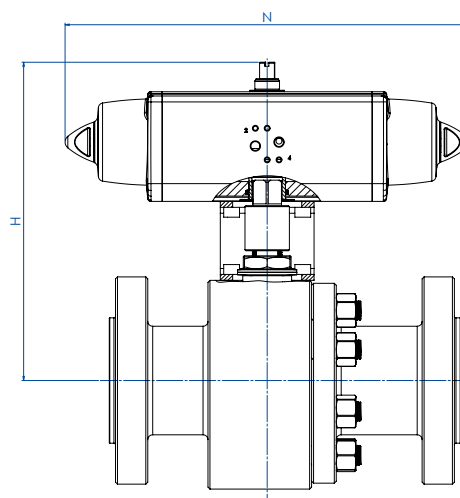
MISURA DN [mm]	SIZE [inch]	ANSI	CODICE ARTICOLO ITEM CODE	ATTUATORE ACTUATOR	KIT di montaggio Mounting KIT	N [mm]	H [mm]	Peso Kg Weight Kg
DN 15	1/2"	ANSI 600	DT104404CBA0AHMRV00BAFCA0	DAN0030411S	KCNBCHD5340	174,2	179,2	7,2
DN 20	3/4"	ANSI 600	DT105404CBA0AHMRV00BAFDA0	DAN0045412S	KCNBCHD5341	188,5	189,5	8,4
DN 25	1"	ANSI 600	DT106404CBA0AIMRV00BAFEA0	DAN0060412S	KCNCCHD5342	198,0	200,4	11,7
DN 32	1" 1/4	ANSI 600	DT107404CBA0AIMRV00BAFGA0	DAN0106411S	KCNCCHD5343	237,0	218,3	15,4
DN 40	1" 1/2	ANSI 600	DT108404CBB0AIMNV00BAFHA0	DAN0120411S	KCNDDHD5344	244,1	235,0	22,5
DN 50	2"	ANSI 600	DT109404CBB0AIMNV00BAFIA0	DAN0180411S	KCNDDHD5393	289,9	271,5	29,7
DN 65	2" 1/2	ANSI 600	DT110404CBB0AIMNV00BAFJA0	DAN0240411S	KCNEEHD5346	313,6	315,1	51,6
DN 80	3"	ANSI 600	DT111404CBB0AIMNV00BAFKA0	DAN0360411S	KCNEEHD5346	339,3	329,5	62,4
DN 100	4"	ANSI 600	DT112404CBB0AIMNV00BAFMA0	DAN0720411S	KCNFGHD5365	433,1	404,0	129,9



THOR SPLIT BODY - PN 63-100

ACCIAIO AL CARBONIO CARBON STEEL

CON ATTUATORE PNEUMATICO SR WITH SR PNEUMATIC ACTUATOR



CODICI ARTICOLI IN A105 ACCIAIO AL CARBONIO ITEM CODES IN A105 CARBON STEEL

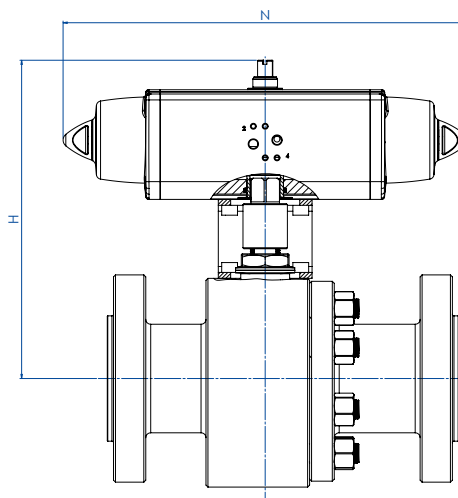
MISURA DN [mm]	SIZE [inch]	PN	CODICE ARTICOLO ITEM CODE	ATTUATORE ACTUATOR	KIT di montaggio Mounting KIT	N [mm]	H [mm]	Peso Kg Weight Kg
DN 15	1/2"	PN 63-100	ST104N03CAA0AFMRV00BAFEA0	SRN0030402S	KCNBCHD5350	258,8	190,4	9,0
DN 20	3/4"	PN 63-100	ST105N03CAA0AFMRV00BAFGA0	SRN0053401S	KCNBCHD5351	304,2	208,3	11,7
DN 25	1"	PN 63-100	ST106N03CAA0AGMRV00BAFHAA0	SRN0060401S	KCNCCHD5343	338,5	217,0	15,2
DN 32	1" 1/4	PN 63-100	ST107N03CAA0AGMRV00BAFIA0	SRN0090401S	KCNCDDHD5352	393,7	252,5	20,8
DN 40	1" 1/2	PN 63-100	ST108N03CAB0AGMNV00BAFJAA0	SRN0120401S	KCNDHD5353	409,6	269,1	28,4
DN 50	2"	PN 63	ST109K03CAB0AGMNV00BAFKAA0	SRN0180401S	KCNDHD5393	474,0	282,0	35,2
DN 50	2"	PN 100	ST109L03CAB0AGMNV00BAFKAA0	SRN0180401S	KCNDHD5393	474,0	282,0	37,4
DN 65	2" 1/2	PN 63	ST110K03CAB0AGMNV00BAFLAA0	SRN0240401S	KCNEEHD5354	520,5	339,0	57,7
DN 65	2" 1/2	PN 100	ST110L03CAB0AGMNV00BAFLAA0	SRN0240401S	KCNEEHD5354	520,5	339,0	60,7
DN 80	3"	PN 63	ST111K03CAB0AGMNV00BAFMAA0	SRN0360401S	KCNEEHD5354	613,0	346,5	70,3
DN 80	3"	PN 100	ST111L03CAB0AGMNV00BAFMAA0	SRN0360401S	KCNEEHD5354	613,0	346,5	73,7
DN 100	4"	PN 63	ST112K03CAB0AGMNV00BAFQAA0	SRN0720401S	KCNGGHD5369	798,0	442,0	140,7
DN 100	4"	PN 100	ST112L03CAB0AGMNV00BAFQAA0	SRN0720401S	KCNGGHD5369	798,0	442,0	144,7

CODICI ARTICOLI IN LF2 ACCIAIO AL CARBONIO ITEM CODES IN LF2 CARBON STEEL

MISURA DN [mm]	SIZE [inch]	PN	CODICE ARTICOLO ITEM CODE	ATTUATORE ACTUATOR	KIT di montaggio Mounting KIT	N [mm]	H [mm]	Peso Kg Weight Kg
DN 15	1/2"	PN 63-100	ST104N03CBA0AHMRV00BAFEA0	SRN0030402S	KCNBCHD5350	258,8	190,4	9,0
DN 20	3/4"	PN 63-100	ST105N03CBA0AHMRV00BAFGA0	SRN0053401S	KCNBCHD5351	304,2	208,3	11,7
DN 25	1"	PN 63-100	ST106N03CBA0AIMRV00BAFHAA0	SRN0060401S	KCNCCHD5343	338,5	217,0	15,2
DN 32	1" 1/4	PN 63-100	ST107N03CBA0AIMRV00BAFIA0	SRN0090401S	KCNCDDHD5352	393,7	252,5	20,8
DN 40	1" 1/2	PN 63-100	ST108N03CBB0AIMNV00BAFJAA0	SRN0120401S	KCNDHD5353	409,6	269,1	28,4
DN 50	2"	PN 63	ST109K03CBB0AIMNV00BAFKAA0	SRN0180401S	KCNDHD5393	474,0	282,0	35,2
DN 50	2"	PN 100	ST109L03CBB0AIMNV00BAFKAA0	SRN0180401S	KCNDHD5393	474,0	282,0	37,4
DN 65	2" 1/2	PN 63	ST110K03CBB0AIMNV00BAFLAA0	SRN0240401S	KCNEEHD5354	520,5	339,0	57,7
DN 65	2" 1/2	PN 100	ST110L03CBB0AIMNV00BAFLAA0	SRN0240401S	KCNEEHD5354	520,5	339,0	60,7
DN 80	3"	PN 63	ST111K03CBB0AIMNV00BAFMAA0	SRN0360401S	KCNEEHD5354	613,0	346,5	70,3
DN 80	3"	PN 100	ST111L03CBB0AIMNV00BAFMAA0	SRN0360401S	KCNEEHD5354	613,0	346,5	73,7
DN 100	4"	PN 63	ST112K03CBB0AIMNV00BAFQAA0	SRN0720401S	KCNGGHD5369	798,0	442,0	140,7
DN 100	4"	PN 100	ST112L03CBB0AIMNV00BAFQAA0	SRN0720401S	KCNGGHD5369	798,0	442,0	144,7



THOR SPLIT BODY - ANSI 600
ACCIAIO AL CARBONIO CARBON STEEL
CON ATTUATORE PNEUMATICO SR WITH SR PNEUMATIC ACTUATOR



CODICI ARTICOLI IN A105 ACCIAIO AL CARBONIO ITEM CODES IN A105 CARBON STEEL

MISURA DN [mm]	SIZE [inch]	ANSI	CODICE ARTICOLO ITEM CODE	ATTUATORE ACTUATOR	KIT di montaggio Mounting KIT	N [mm]	H [mm]	Peso Kg Weight Kg
DN 20	3/4"	ANSI 600	ST105404CAA0AFMRV00BAFGA0	SRN0053401S	KCNBCHD5351	304,2	208,3	10,3
DN 25	1"	ANSI 600	ST106404CAA0AGMRV00BAFHA0	SRN0060401S	KCNCCHD5343	338,5	217,0	13,5
DN 32	1" 1/4	ANSI 600	ST107404CAA0AGMRV00BAFIA0	SRN0090401S	KCNCDDHD5352	393,7	252,5	19,2
DN 40	1" 1/2	ANSI 600	ST108404CAB0AGMNV00BAFJA0	SRN0120401S	KCNDHD5353	409,6	269,1	26,9
DN 50	2"	ANSI 600	ST109404CAB0AGMNV00BAFKA0	SRN0180401S	KCNDHD5393	474,0	282,0	34,0
DN 65	2" 1/2	ANSI 600	ST110404CAB0AGMNV00BAFLA0	SRN0240401S	KCNEEHD5354	520,5	339,0	58,0
DN 80	3"	ANSI 600	ST111404CAB0AGMNV00BAFMA0	SRN0360401S	KCNEEHD5354	613,0	359,5	72,4
DN 100	4"	ANSI 600	ST112404CAB0AGMNV00BAFQA0	SRN0720401S	KCNGGHD5369	798,0	442,0	151,7

CODICI ARTICOLI IN LF2 ACCIAIO AL CARBONIO ITEM CODES IN LF2 CARBON STEEL

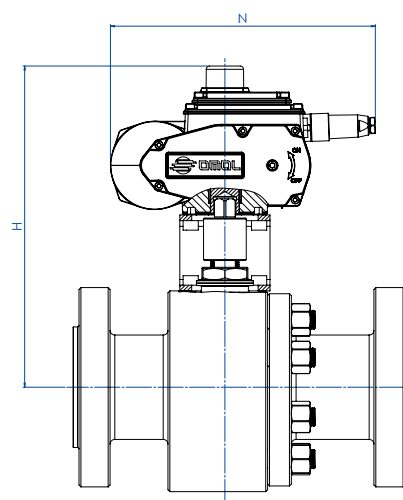
MISURA DN [mm]	SIZE [inch]	ANSI	CODICE ARTICOLO ITEM CODE	ATTUATORE ACTUATOR	KIT di montaggio Mounting KIT	N [mm]	H [mm]	Peso Kg Weight Kg
DN 20	3/4"	ANSI 600	ST105404CBA0AHMRV00BAFGA0	SRN0053401S	KCNBCHD5351	304,2	208,3	10,3
DN 25	1"	ANSI 600	ST106404CBA0AIMRV00BAFHA0	SRN0060401S	KCNCCHD5343	338,5	217,0	13,5
DN 32	1" 1/4	ANSI 600	ST107404CBA0AIMRV00BAFIA0	SRN0090401S	KCNCDDHD5352	393,7	252,5	19,2
DN 40	1" 1/2	ANSI 600	ST108404CBB0AIMNV00BAFJA0	SRN0120401S	KCNDHD5353	409,6	269,1	26,9
DN 50	2"	ANSI 600	ST109404CBB0AIMNV00BAFKA0	SRN0180401S	KCNDHD5393	474,0	282,0	34,0
DN 65	2" 1/2	ANSI 600	ST110404CBB0AIMNV00BAFLA0	SRN0240401S	KCNEEHD5354	520,5	339,0	58,0
DN 80	3"	ANSI 600	ST111404CBB0AIMNV00BAFMA0	SRN0360401S	KCNEEHD5354	613,0	359,5	72,4
DN 100	4"	ANSI 600	ST112404CBB0AIMNV00BAFQA0	SRN0720401S	KCNGGHD5369	798,0	442,0	151,7



THOR SPLIT BODY - PN 63-100

ACCIAIO AL CARBONIO CARBON STEEL

CON ATTUATORE ELETTRICO WITH ELECTRIC ACTUATOR



CODICI ARTICOLI IN A105 ACCIAIO AL CARBONIO ITEM CODES IN A105 CARBON STEEL

MISURA DN [mm]	SIZE [inch]	PN	CODICE ARTICOLO ITEM CODE	ATTUATORE ACTUATOR	KIT di montaggio Mounting KIT	N [mm]	H [mm]	Peso Kg Weight Kg
DN 15	1/2"	PN 63-100	ET104N03CAA0AFMRV00BAMEGO	EA0035A5C000	KCNBCHD5350	250,0	237,0	10,6
DN 20	3/4"	PN 63-100	ET105N03CAA0AFMRV00BAMEGO	EA0035A5C000	KCNBCHD5357	250,0	242,0	12,3
DN 25	1"	PN 63-100	ET106N03CAA0AGMRV00BAMGG0	EA0070A5C000	KCNCCHD5342	250,0	247,0	15,6
DN 32	1" 1/4	PN 63-100	ET107N03CAA0AGMRV00BAMGG0	EA0070A5C000	KCNCCHD5342	250,0	252,0	18,3
DN 40	1" 1/2	PN 63-100	ET108N03CAB0AGMNV00BAMIG0	EA0130A5C000	KCNDHD5344	280,0	285,5	28,6
DN 50	2"	PN 63	ET109K03CAB0AGMNV00BAMIG0	EA0130A5C000	KCNDHD5358	280,0	291,5	33,3
DN 50	2"	PN 100	ET109L03CAB0AGMNV00BAMIG0	EA0130A5C000	KCNDHD5358	280,0	291,5	35,5
DN 65	2" 1/2	PN 63	ET110K03CAB0AGMNV00BAMKG0	EA0240A5C000	KCNEEHD5346	280,0	331,5	53,4
DN 65	2" 1/2	PN 100	ET110L03CAB0AGMNV00BAMKG0	EA0240A5C000	KCNEEHD5346	280,0	331,5	56,4
DN 80	3"	PN 63	ET111K03CAB0AGMNV00BAMNA0	AE160040	KCNEEHV5359	256,5	366,5	63,0
DN 80	3"	PN 100	ET111L03CAB0AGMNV00BAMNA0	AE160040	KCNEEHV5359	256,5	366,5	66,4
DN 100	4"	PN 63	ET112K03CAB0AGMNV00BAMTA0	AE160100	KCNFGHV5373	381,0	460,0	129,3
DN 100	4"	PN 100	ET112L03CAB0AGMNV00BAMTA0	AE160100	KCNFGHV5373	381,0	460,0	133,3

CODICI ARTICOLI IN LF2 ACCIAIO AL CARBONIO ITEM CODES IN LF2 CARBON STEEL

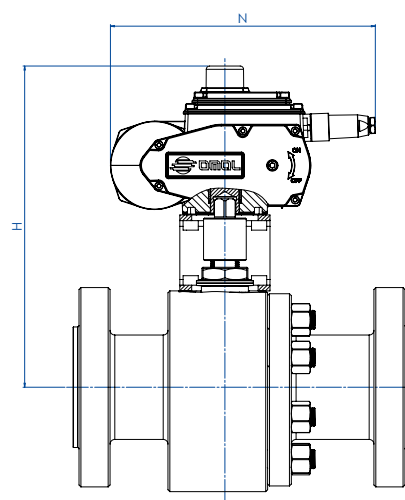
MISURA DN [mm]	SIZE [inch]	PN	CODICE ARTICOLO ITEM CODE	ATTUATORE ACTUATOR	KIT di montaggio Mounting KIT	N [mm]	H [mm]	Peso Kg Weight Kg
DN 15	1/2"	PN 63-100	ET104N03CBA0AHRV00BAMEGO	EA0035A5C000	KCNBCHD5350	250,0	237,0	10,6
DN 20	3/4"	PN 63-100	ET105N03CBA0AHRV00BAMEGO	EA0035A5C000	KCNBCHD5357	250,0	242,0	12,3
DN 25	1"	PN 63-100	ET106N03CBA0AIMRV00BAMGG0	EA0070A5C000	KCNCCHD5342	250,0	247,0	15,6
DN 32	1" 1/4	PN 63-100	ET107N03CBA0AIMRV00BAMGG0	EA0070A5C000	KCNCCHD5342	250,0	252,0	18,3
DN 40	1" 1/2	PN 63-100	ET108N03CBB0AIMNV00BAMIG0	EA0130A5C000	KCNDHD5344	280,0	285,5	28,6
DN 50	2"	PN 63	ET109K03CBB0AIMNV00BAMIG0	EA0130A5C000	KCNDHD5358	280,0	291,5	33,3
DN 50	2"	PN 100	ET109L03CBB0AIMNV00BAMIG0	EA0130A5C000	KCNDHD5358	280,0	291,5	35,5
DN 65	2" 1/2	PN 63	ET110K03CBB0AIMNV00BAMKG0	EA0240A5C000	KCNEEHD5346	280,0	331,5	53,4
DN 65	2" 1/2	PN 100	ET110L03CBB0AIMNV00BAMKG0	EA0240A5C000	KCNEEHD5346	280,0	331,5	56,4
DN 80	3"	PN 63	ET111K03CBB0AIMNV00BAMNA0	AE160040	KCNEEHV5359	256,5	366,5	63,0
DN 80	3"	PN 100	ET111L03CBB0AIMNV00BAMNA0	AE160040	KCNEEHV5359	256,5	366,5	66,4
DN 100	4"	PN 63	ET112K03CBB0AIMNV00BAMTA0	AE160100	KCNFGHV5373	381,0	460,0	129,3
DN 100	4"	PN 100	ET112L03CBB0AIMNV00BAMTA0	AE160100	KCNFGHV5373	381,0	460,0	133,3



THOR SPLIT BODY - ANSI 600

ACCIAIO AL CARBONIO CARBON STEEL

CON ATTUATORE ELETTRICO WITH ELECTRIC ACTUATOR



CODICI ARTICOLI IN A105 ACCIAIO AL CARBONIO ITEM CODES IN A105 CARBON STEEL

MISURA DN [mm]	SIZE [inch]	ANSI	CODICE ARTICOLO ITEM CODE	ATTUATORE ACTUATOR	KIT di montaggio Mounting KIT	N [mm]	H [mm]	Peso Kg Weight Kg
DN 15	1/2"	ANSI 600	ET104404CAA0AFMRV00BAMEG0	EA0035A5C000	KCNBCHD5350	250,0	237,0	9,8
DN 20	3/4"	ANSI 600	ET105404CAA0AFMRV00BAMEG0	EA0035A5C000	KCNBCHD5357	250,0	242,0	10,9
DN 25	1"	ANSI 600	ET106404CAA0AGMRV00BAMGG0	EA0070A5C000	KCNCCHD5342	250,0	247,0	13,9
DN 32	1" 1/4	ANSI 600	ET107404CAA0AGMRV00BAMGG0	EA0070A5C000	KCNCCHD5342	250,0	252,0	16,7
DN 40	1" 1/2	ANSI 600	ET108404CAB0AGMNV00BAMIG0	EA0130A5C000	KCNDDHD5344	280,0	285,5	27,1
DN 50	2"	ANSI 600	ET109404CAB0AGMNV00BAMIG0	EA0130A5C000	KCNDDHD5358	280,0	291,5	32,1
DN 65	2" 1/2	ANSI 600	ET110404CAB0AGMNV00BAMKG0	EA0240A5C000	KCNEEHD5346	280,0	331,5	53,7
DN 80	3"	ANSI 600	ET111404CAB0AGMNV00BAMNA0	AE160040	KCNEEHV5359	256,5	366,5	65,1
DN 100	4"	ANSI 600	ET112404CAB0AGMNV00BAMTA0	AE160100	KCNFGHV5373	381,0	450,0	140,3

CODICI ARTICOLI IN LF2 ACCIAIO AL CARBONIO ITEM CODES IN LF2 CARBON STEEL

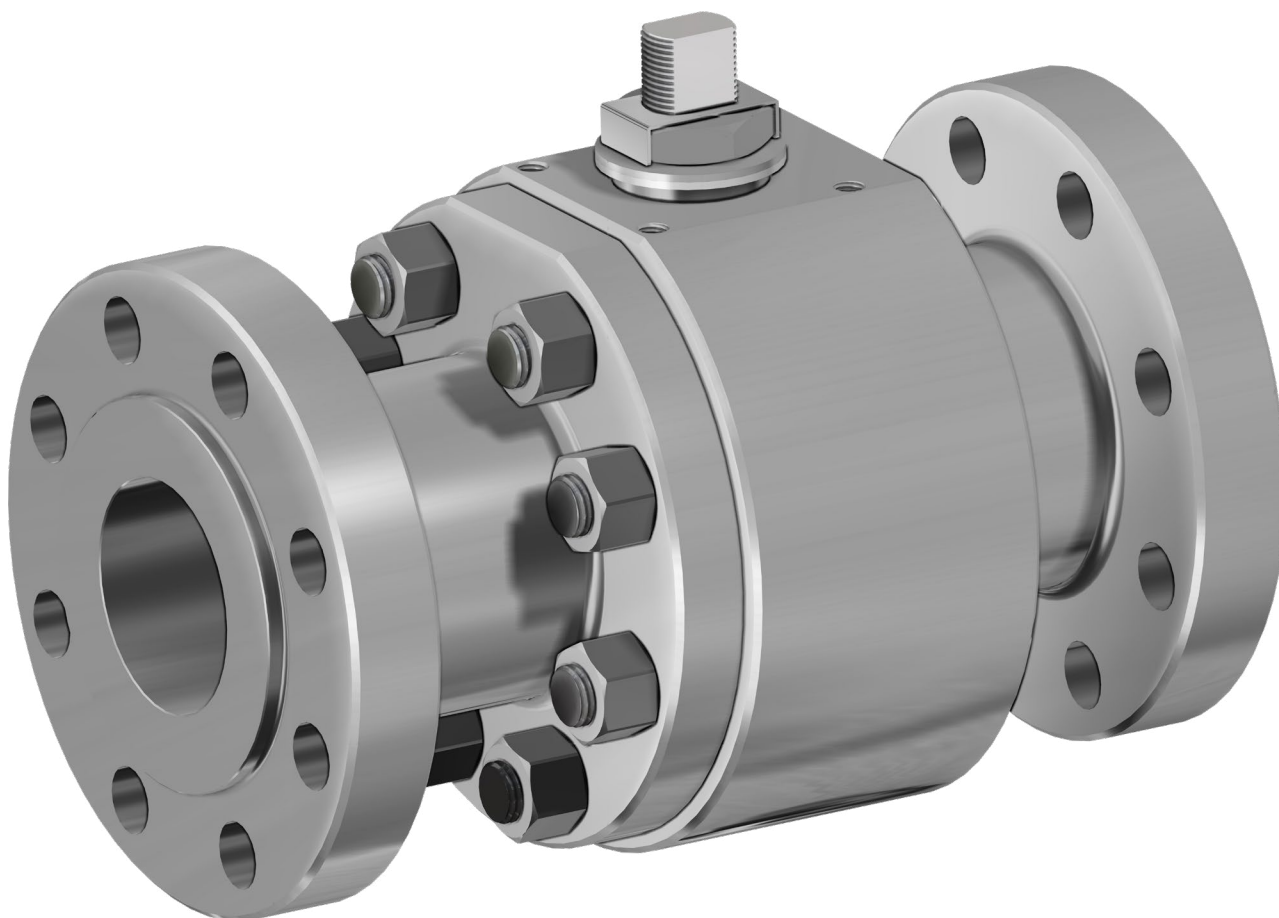
MISURA DN [mm]	SIZE [inch]	ANSI	CODICE ARTICOLO ITEM CODE	ATTUATORE ACTUATOR	KIT di montaggio Mounting KIT	N [mm]	H [mm]	Peso Kg Weight Kg
DN 15	1/2"	ANSI 600	ET104404CBA0AHMRV00BAMEG0	EA0035A5C000	KCNBCHD5350	250,0	237,0	9,8
DN 20	3/4"	ANSI 600	ET105404CBA0AHMRV00BAMEG0	EA0035A5C000	KCNBCHD5357	250,0	242,0	10,9
DN 25	1"	ANSI 600	ET106404CBA0AIMRV00BAMGG0	EA0070A5C000	KCNCCHD5342	250,0	247,0	13,9
DN 32	1" 1/4	ANSI 600	ET107404CBA0AIMRV00BAMGG0	EA0070A5C000	KCNCCHD5342	250,0	252,0	16,7
DN 40	1" 1/2	ANSI 600	ET108404CBB0AIMNV00BAMIG0	EA0130A5C000	KCNDDHD5344	280,0	285,5	27,1
DN 50	2"	ANSI 600	ET109404CBB0AIMNV00BAMIG0	EA0130A5C000	KCNDDHD5358	280,0	291,5	32,1
DN 65	2" 1/2	ANSI 600	ET110404CBB0AIMNV00BAMKG0	EA0240A5C000	KCNEEHD5346	280,0	331,5	53,7
DN 80	3"	ANSI 600	ET111404CBB0AIMNV00BAMNA0	AE160040	KCNEEHV5359	256,5	366,5	65,1
DN 100	4"	ANSI 600	ET112404CBB0AIMNV00BAMTA0	AE160100	KCNFGHV5373	381,0	450,0	140,3





THOR SPLIT BODY PN 63-100 ANSI 600

ACCIAIO INOX *STAINLESS STEEL*



ESECUZIONE STANDARD

- Sfera flottante, passaggio totale. Disponibili versioni a passaggio ridotto.
- Tenuta soft-seat: DEVLON.
- Norme per flange d'attacco: ASME B16.5; EN 1092-1.
- Temperature di utilizzo vedi diagramma pressione temperatura.
- Classe di pressione: ANSI 600 / PN 63-100.
- Classe di tenuta: EN12266-1 rate A.
- Fluido intercettato: prodotti petroliferi, fluidi autolubrificanti (liquidi e gassosi), purchè compatibili con i materiali costruttivi. Per fluidi non-autolubrificanti (acqua, ...) o altre applicazioni rivolgersi all'ufficio commerciale.
- Antistatic device EN12266-2.
- Tenuta stelo: pacco a V di serie in PTFE Modificato.
- Tenuta addizionale su stelo con O-ring FKM.
- Stelo anti Blow-out.
- Foratura piano per attuatore a norma ISO 5211.
- Angolo di chiusura >7°.

STANDARD FEATURES

- *Floating ball, full bore. Available reduce bore version.*
- *Soft-seat seal: DEVLON.*
- *Standard for connecting flanges: ASME B16.5; EN 1092-1.*
- *Operating temperature see temperature pressure diagram.*
- *Pressure class: ANSI 600 / PN 63-100.*
- *Tightness Class: EN12266-1 rate A.*
- *Intercepted fluid: petrochemical products, self-lubricating fluids (liquid and gaseous), compatible with the constructive materials. For non-self-lubricating fluids (water, ...) or other applications, contact our sales department.*
- *Antistatic device EN12266-2.*
- *Stem seal: Modified PTFE V-ring packing.*
- *Additional seal on stem with FKM O-ring.*
- *Anti Blow-out stem.*
- *Actuator connection as per standard ISO 5211.*
- *Closing angle >7°.*

ESECUZIONI A RICHIESTA

- Per altri tipi di flangiature contattare il nostro ufficio commerciale.
- Guarnizioni di tenuta in: PTFE caricato vetro (PTFE-GF), PTFE caricato carbografito (PTFE-CF). Per altri tipi di materiale contattare il nostro ufficio commerciale.
- Esecuzione monodirezionale con foro di compensazione della pressione nella sfera.
- Leva inox.
- Dadi e molle stelo inox.
- Per esecuzioni speciali con materiali (corpo/sfera/stelo) diversi dallo standard contattare il nostro ufficio commerciale.
- Marcature e certificato ATEX A RICHIESTA.

FEATURES ON REQUEST

- *For other flange types please contact our sales department.*
- *Sealing in: PTFE reinforced with glass (PTFE-GF), PTFE reinforced with carbon-graphite (PTFE-CF). For other types of materials please contact our sales department.*
- *Mono-directional version with pressure-relief hole in the ball.*
- *Stainless steel lever.*
- *Stainless steel Stem nuts and springs.*
- *For special versions in materials different from the standard (body, ball, stem), please contact our sales department.*
- *ATEX marking and certificate ON REQUEST.*

CERTIFICAZIONI

- Conforme alla direttiva Europea 2014/68/UE PED; Fugitive Emission ISO 15848 (ISO FE BH-C03-SSA 0); TA-LUFT VDI 2440; FIRE SAFE: ISO 10497 Third ed. 2010 / API 607 Sixth ed. 2010.
- Conforme alla direttiva ATEX 2014/34/UE, certificato ATEX A RICHIESTA.

CERTIFICATIONS

- *In compliance with European Directive 2014/68/EU PED; Fugitive Emission ISO 15848 (ISO FE BH-C03-SSA 0); TA-LUFT VDI 2440; FIRE SAFE: ISO 10497 Third ed. 2010 / API 607 Sixth ed. 2010.*
- *In compliance with ATEX 2014/34/EU Directive, ATEX certificate ON REQUEST.*

NORME DI PROGETTAZIONE

- Spessori corpo in accordo a: ASME B16.34, ASME VIII div.1, EN 12516.
- **API 6D (A RICHIESTA).**
- Materiali e rating in accordo ad ASME B16.34 per valvole ANSI ed EN 12516 per valvole PN.

ENGINEERING STANDARD

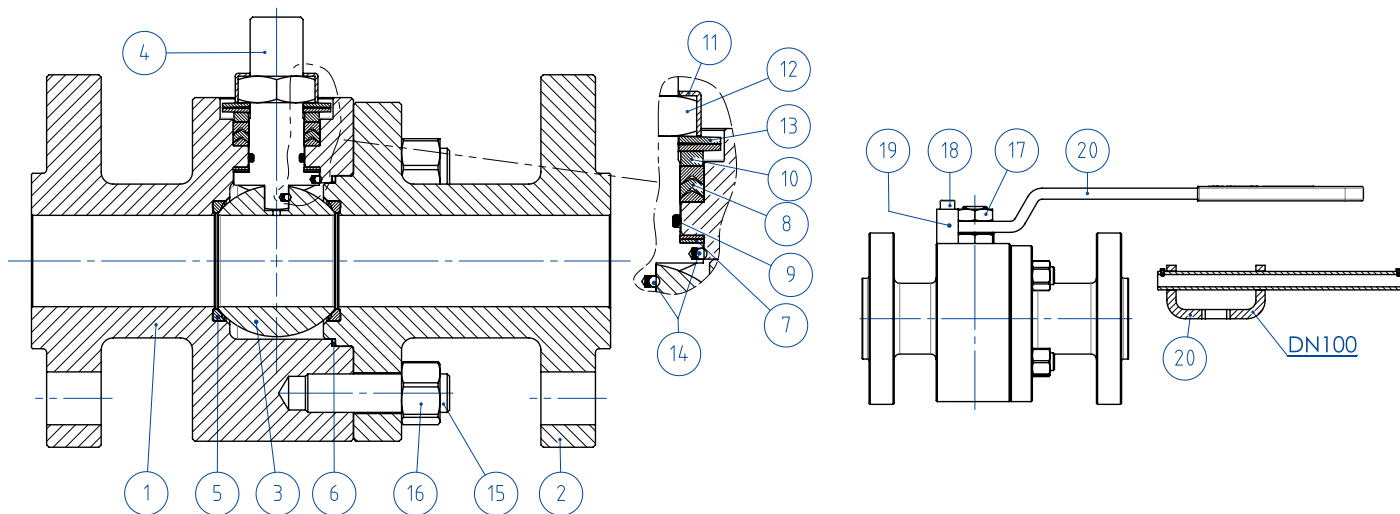
- *Body thickness in compliance with: ASME B16.34, ASME VIII div.1, EN 12516.*
- **API 6D (ON REQUEST).**
- *Materials and rating in compliance with ASME B16.34 for ANSI valves and EN 12516 for PN valves.*



THOR SPLIT BODY - PN 63-100 ANSI 600

ACCIAIO INOX STAINLESS STEEL

TABELLA DEI MATERIALI MATERIALS TABLE



MATERIALI MATERIALS		DA BARRA FROM BAR
SPLIT BODY PN63-100 ANSI 600		
N°	Descrizione Description	316 Stainless steel
1	Corpo Body	ASTM A 182 F316 / A479TP316 (1.4401 / X5CrNiMo 17-12-2)
2	Terminale Connector	
3	Sfera Ball	ASTM A351 CF8M (1.4408/Gx5CrNiMo19-12-2)
4	Stelo Stem	A564 TP.630 (17-4PH)
5*	Seggio Seat	DEVLON
6*	Guarnizione corpo terminale Body-Connector gasket	GRAFOIL
7*	Tenuta inferiore stelo Stem lower sealing	PTFE Modificato Modified PTFE (.) (1)
8*	Guarnizioni tipo Chevron Chevron seals	PTFE Modificato Modified PTFE (.)
9*	O-ring stelo Stem o-ring	FKM (.)
10	Anello premi guarnizione Packing gland ring	304 S.S.
11	Piastra blocca dado Stop nut plate	304 S.S.
12	Dado stelo Stem nut	Acciaio al carbonio zincato Carbon steel galvanized (xx)
13	Molle a tazza Springs washer	Acciaio al carbonio zincato Carbon steel galvanized (xx)
14	Dispositivo antistatico Antistatic device	316 S.S.
15	Tiranti Stud bolt	ASTM A193-B8
16	Dadi Nut	ASTM A194-Gr.8
17	Controdado Lock nut	Acciaio al carbonio zincato Carbon steel galvanized
18	Vite di fermo Holder screw	A2-70 (304 S.S.)
19	Fermo di posizione Holder screw	Acciaio al carbonio zincato Carbon steel galvanized (x)
20	Leva Lever	Fe37 zincato-galvanized (x)

* Componenti del kit di guarnizioni Components of seals kit

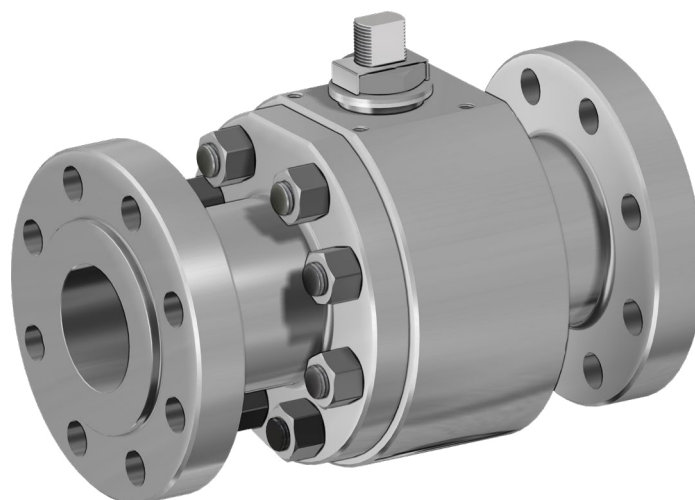
A richiesta disponibile in: Available on request:

(x): 304 s.s.

(xx): 301 s.s.

(1) : per ≤DN32 disponibile solo in DEVLON for ≤DN32 available only in DEVLON

(.): Altri materiali disponibili a richiesta Other materials available on request

**THOR SPLIT BODY - PN 63-100 ANSI 600****ACCIAIO INOX STAINLESS STEEL****ASSE LIBERO E CON LEVA FREE SHAFT AND WITH LEVER****CODICI VALVOLE ASSE LIBERO (V_) E CON LEVA (L_) IN ACCIAIO INOX -PN-
STAINLESS STEEL BARE SHAFT (V_) AND LEVER (L_) OPERATED VALVE CODE -PN-**

MISURA DN [mm]	SIZE [inch]	PN	316 Stainless steel
DN 15	1/2"	PN 63-100	V/LT104N03ABA0ADMRV000
DN 20	3/4"	PN 63-100	V/LT105N03ABA0ADMRV000
DN 25	1"	PN 63-100	V/LT106N03ABA0AEMRV000
DN 32	1" 1/4	PN 63-100	V/LT107N03ABA0AEMRV000
DN 40	1" 1/2	PN 63-100	V/LT108N03ABA0AEMNV000
DN 50	2"	PN63	V/LT109K03ABA0AEMNV000
DN 50	2"	PN100	V/LT109L03ABA0AEMNV000
DN 65	2" 1/2	PN63	V/LT110K03ABA0AEMNV000
DN 65	2" 1/2	PN100	V/LT110L03ABA0AEMNV000
DN 80	3"	PN63	V/LT111K03ABA0AEMNV000
DN 80	3"	PN100	V/LT111L03ABA0AEMNV000
DN 100	4"	PN63	V/LT112K03ABA0AEMNV000
DN 100	4"	PN100	V/LT112L03ABA0AEMNV000

**CODICI VALVOLE ASSE LIBERO (V_) E CON LEVA (L_) IN ACCIAIO INOX -ANSI-
STAINLESS STEEL BARE SHAFT (V_) AND LEVER (L_) OPERATED VALVE CODE -ANSI-**

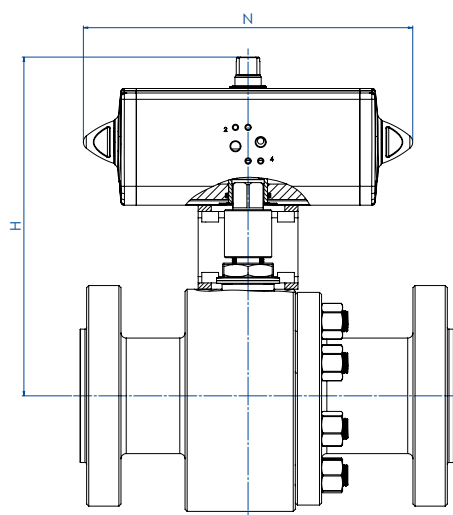
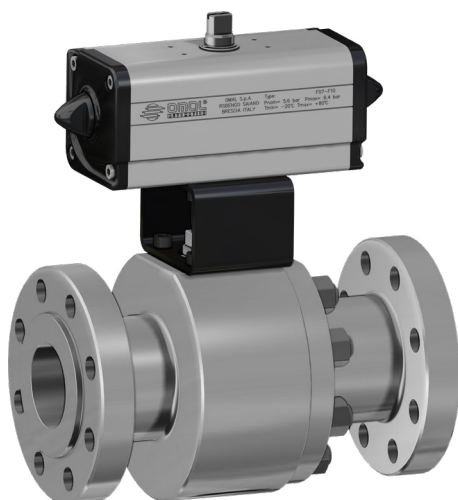
MISURA DN [mm]	SIZE [inch]	ANSI	316 Stainless steel
DN 15	1/2"	ANSI 600	V/LT104404ABA0ADMRV000
DN 20	3/4"	ANSI 600	V/LT105404ABA0ADMRV000
DN 25	1"	ANSI 600	V/LT106404ABA0AEMRV000
DN 32	1" 1/4	ANSI 600	V/LT107404ABA0AEMRV000
DN 40	1" 1/2	ANSI 600	V/LT108404ABA0AEMNV000
DN 50	2"	ANSI 600	V/LT109404ABA0AEMNV000
DN 65	2" 1/2	ANSI 600	V/LT110404ABA0AEMNV000
DN 80	3"	ANSI 600	V/LT111404ABA0AEMNV000
DN 100	4"	ANSI 600	V/LT112404ABA0AEMNV000



THOR SPLIT BODY - PN 63-100 ANSI 600

ACCIAIO INOX *STAINLESS STEEL*

CON ATTUATORE PNEUMATICO DA *WITH DA PNEUMATIC ACTUATOR*



CODICI ARTICOLI IN 316 ACCIAIO INOX -PN-

ITEM CODES IN 316 STAINLESS STEEL -PN-

MISURA DN [mm]	SIZE [inch]	PN	CODICE ARTICOLO -316- ITEM CODE -316-	ATTUATORE ACTUATOR	KIT di montaggio Mounting KIT	N [mm]	H [mm]	Peso Kg Weight Kg
DN 15	1/2"	PN 63-100	DT104N03ABA0ADMRV000AFCA0	DAN0030411S	KCNBCHD5340	174,2	179,2	8,0
DN 20	3/4"	PN 63-100	DT105N03ABA0ADMRV000AFDA0	DAN0045412S	KCNBCHD5341	188,5	189,5	9,8
DN 25	1"	PN 63-100	DT106N03ABA0AEMRV000AFEA0	DAN0060412S	KCNCCHD5342	198,0	200,4	13,4
DN 32	1" 1/4	PN 63-100	DT107N03ABA0AEMRV000AFGA0	DAN0106411S	KCNCCHD5343	237,0	218,3	17,0
DN 40	1" 1/2	PN 63-100	DT108N03ABA0AEMNV000AFHA0	DAN0120411S	KCNDDHD5344	244,1	235,0	24,0
DN 50	2"	PN 63	DT109K03ABA0AEMNV000AFIA0	DAN0180411S	KCNDDHD5393	289,9	271,5	30,9
DN 50	2"	PN 100	DT109L03ABA0AEMNV000AFIA0	DAN0180411S	KCNDDHD5393	289,9	271,5	33,1
DN 65	2" 1/2	PN 63	DT110K03ABA0AEMNV000AFJA0	DAN0240411S	KCNEEHD5346	313,6	315,1	51,3
DN 65	2" 1/2	PN 100	DT110L03ABA0AEMNV000AFJA0	DAN0240411S	KCNEEHD5346	313,6	315,1	54,3
DN 80	3"	PN 63	DT111K03ABA0AEMNV000AFKA0	DAN0360411S	KCNEEHD5346	339,3	329,5	60,3
DN 80	3"	PN 100	DT111L03ABA0AEMNV000AFKA0	DAN0360411S	KCNEEHD5346	339,3	329,5	63,3
DN 100	4"	PN 63	DT112K03ABA0AEMNV000AFMA0	DAN0720411S	KCNFGHD5365	433,1	404,0	118,9
DN 100	4"	PN 100	DT112L03ABA0AEMNV000AFMA0	DAN0720411S	KCNFGHD5365	433,1	404,0	122,9

CODICI ARTICOLI IN 316 ACCIAIO INOX -ANSI-

ITEM CODES IN 316 STAINLESS STEEL -ANSI-

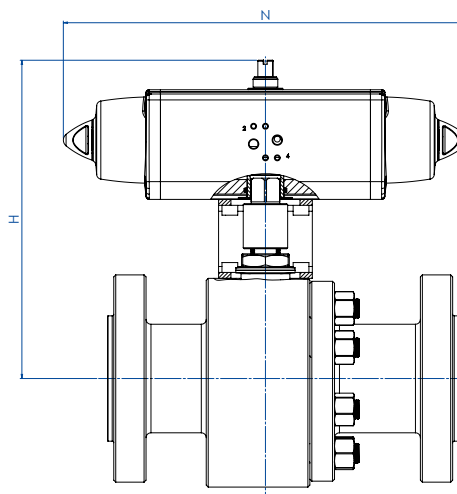
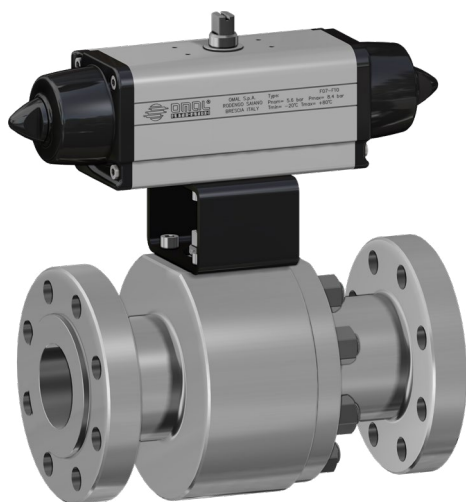
MISURA DN [mm]	SIZE [inch]	ANSI	CODICE ARTICOLO -316- ITEM CODE -316-	ATTUATORE ACTUATOR	KIT di montaggio Mounting KIT	N [mm]	H [mm]	Peso Kg Weight Kg
DN 15	1/2"	ANSI 600	DT104404ABA0ADMRV000AFCA0	DAN0030411S	KCNBCHD5340	174,2	179,2	7,2
DN 20	3/4"	ANSI 600	DT105404ABA0ADMRV000AFDA0	DAN0045412S	KCNBCHD5341	188,5	189,5	8,4
DN 25	1"	ANSI 600	DT106404ABA0AEMRV000AFEA0	DAN0060412S	KCNCCHD5342	198,0	200,4	11,7
DN 32	1" 1/4	ANSI 600	DT107404ABA0AEMRV000AFGA0	DAN0106411S	KCNCCHD5343	237,0	218,3	15,4
DN 40	1" 1/2	ANSI 600	DT108404ABA0AEMNV000AFHA0	DAN0120411S	KCNDDHD5344	244,1	235,0	22,5
DN 50	2"	ANSI 600	DT109404ABA0AEMNV000AFIA0	DAN0180411S	KCNDDHD5393	289,9	271,5	29,7
DN 65	2" 1/2	ANSI 600	DT110404ABA0AEMNV000AFJA0	DAN0240411S	KCNEEHD5346	313,6	315,1	51,6
DN 80	3"	ANSI 600	DT111404ABA0AEMNV000AFKA0	DAN0360411S	KCNEEHD5346	339,3	329,5	62,4
DN 100	4"	ANSI 600	DT112404ABA0AEMNV000AFMA0	DAN0720411S	KCNFGHD5365	433,1	404,0	129,9



THOR SPLIT BODY - PN 63-100 ANSI 600

ACCIAIO INOX STAINLESS STEEL

CON ATTUATORE PNEUMATICO SR WITH SR PNEUMATIC ACTUATOR

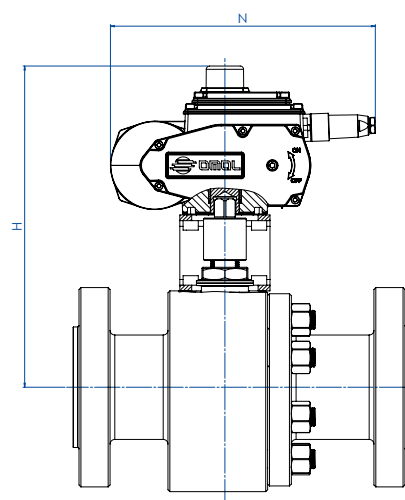
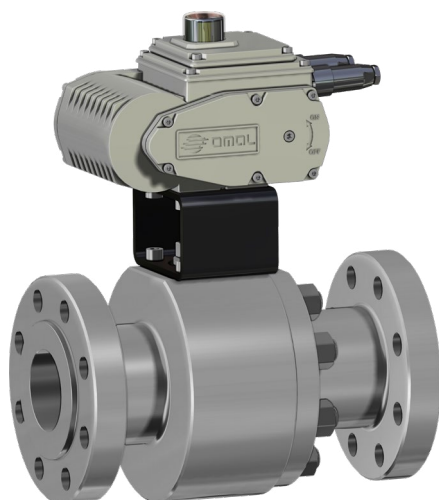


MISURA SIZE		PN	CODICE ARTICOLO -316- ITEM CODE -316-	ATTUATORE ACTUATOR	KIT di montaggio Mounting KIT	N [mm]	H [mm]	Peso Kg Weight Kg
DN [mm]	[inch]							
DN 15	1/2"	PN 63-100	ST104N03ABA0ADMRV000AFEA0	SRN0030402S	KCNBCHD5350	258,8	190,4	9,0
DN 20	3/4"	PN 63-100	ST105N03ABA0ADMRV000AFGA0	SRN0053401S	KCNBCHD5351	304,2	208,3	11,7
DN 25	1"	PN 63-100	ST106N03ABA0AEMRV000AFHA0	SRN0060401S	KCNCCHD5343	338,5	217,0	15,2
DN 32	1" 1/4	PN 63-100	ST107N03ABA0AEMRV000AFIA0	SRN0090401S	KCNCDDHD5352	393,7	252,5	20,8
DN 40	1" 1/2	PN 63-100	ST108N03ABA0AEMNV000AFJA0	SRN0120401S	KCNDDHD5353	409,6	269,1	28,4
DN 50	2"	PN 63	ST109K03ABA0AEMNV000AFKA0	SRN0180401S	KCNDDHD5393	474,0	282,0	35,2
DN 50	2"	PN 100	ST109L03ABA0AEMNV000AFKA0	SRN0180401S	KCNDDHD5393	474,0	282,0	37,4
DN 65	2" 1/2	PN 63	ST110K03ABA0AEMNV000AFLA0	SRN0240401S	KCNEEHD5354	520,5	339,0	57,7
DN 65	2" 1/2	PN 100	ST110L03ABA0AEMNV000AFLA0	SRN0240401S	KCNEEHD5354	520,5	339,0	60,7
DN 80	3"	PN 63	ST111K03ABA0AEMNV000AFMA0	SRN0360401S	KCNEEHD5354	613,0	346,5	70,3
DN 80	3"	PN 100	ST111L03ABA0AEMNV000AFMA0	SRN0360401S	KCNEEHD5354	613,0	346,5	73,7
DN 100	4"	PN 63	ST112K03ABA0AEMNV000AFQA0	SRN0720401S	KCNGGHD5369	798,0	442,0	140,7
DN 100	4"	PN 100	ST112L03ABA0AEMNV000AFQA0	SRN0720401S	KCNGGHD5369	798,0	442,0	144,7

MISURA SIZE		ANSI	CODICE ARTICOLO -316- ITEM CODE -316-	ATTUATORE ACTUATOR	KIT di montaggio Mounting KIT	N [mm]	H [mm]	Peso Kg Weight Kg
DN [mm]	[inch]							
DN 15	1/2"	ANSI 600	ST104404ABA0ADMRV000AFEA0	SRN0030402S	KCNBCHD5350	258,8	190,4	8,2
DN 20	3/4"	ANSI 600	ST105404ABA0ADMRV000AFGA0	SRN0053401S	KCNBCHD5351	304,2	208,3	10,3
DN 25	1"	ANSI 600	ST106404ABA0AEMRV000AFHA0	SRN0060401S	KCNCCHD5343	338,5	217,0	13,5
DN 32	1" 1/4	ANSI 600	ST107404ABA0AEMRV000AFIA0	SRN0090401S	KCNCDDHD5352	393,7	252,5	19,2
DN 40	1" 1/2	ANSI 600	ST108404ABA0AEMNV000AFJA0	SRN0120401S	KCNDDHD5353	409,6	269,1	26,9
DN 50	2"	ANSI 600	ST109404ABA0AEMNV000AFKA0	SRN0180401S	KCNDDHD5393	474,0	282,0	34,0
DN 65	2" 1/2	ANSI 600	ST110404ABA0AEMNV000AFLA0	SRN0240401S	KCNEEHD5354	520,5	339,0	58,0
DN 80	3"	ANSI 600	ST111404ABA0AEMNV000AFMA0	SRN0360401S	KCNEEHD5354	613,0	359,5	72,4
DN 100	4"	ANSI 600	ST112404ABA0AEMNV000AFQA0	SRN0720401S	KCNGGHD5369	798,0	442,0	151,7



THOR SPLIT BODY - PN 63-100 ANSI 600 ACCIAIO INOX STAINLESS STEEL CON ATTUATORE ELETTRICO WITH ELECTRIC ACTUATOR



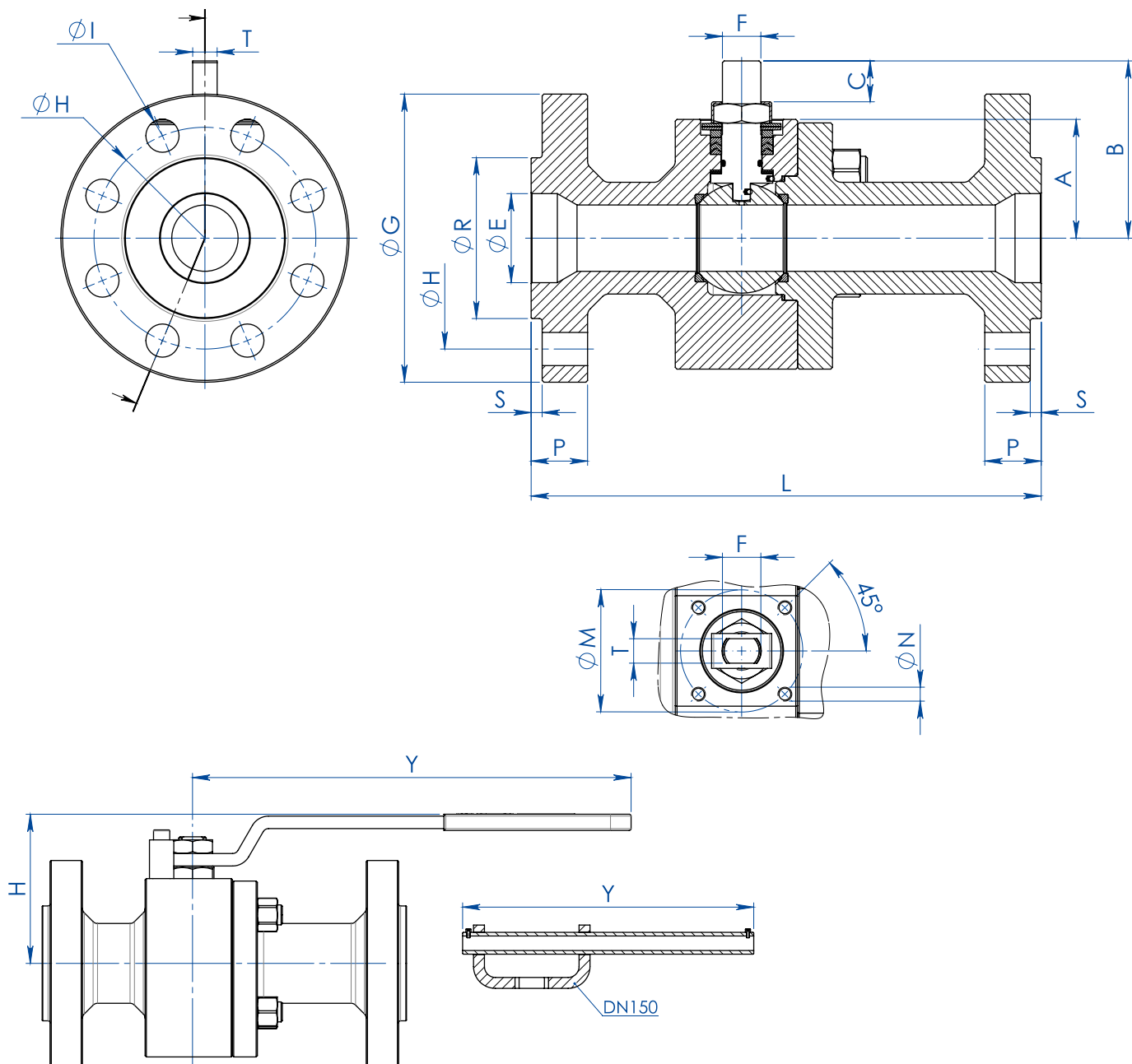
MISURA SIZE		PN	CODICE ARTICOLO -316- ITEM CODE -316-	ATTUATORE ACTUATOR	KIT di montaggio Mounting KIT	N [mm]	H [mm]	Peso Kg Weight Kg
DN [mm]	[inch]							
DN 15	1/2"	PN 63-100	ET104N03ABA0ADMRV000AMEGO	EA0035A5C000	KCNBCHD5350	250,0	237,0	10,6
DN 20	3/4"	PN 63-100	ET105N03ABA0ADMRV000AMEGO	EA0035A5C000	KCNBCHD5357	250,0	242,0	12,3
DN 25	1"	PN 63-100	ET106N03ABA0AEMRV000AMGG0	EA0070A5C000	KCNCCHD5342	250,0	247,0	15,6
DN 32	1" 1/4	PN 63-100	ET107N03ABA0AEMRV000AMGG0	EA0070A5C000	KCNCCHD5342	250,0	252,0	18,3
DN 40	1" 1/2	PN 63-100	ET108N03ABA0AEMNV000AMIGO	EA0130A5C000	KCNDHD5344	280,0	285,5	28,6
DN 50	2"	PN 63	ET109K03ABA0AEMNV000AMIGO	EA0130A5C000	KCNDHD5358	280,0	291,5	33,3
DN 50	2"	PN 100	ET109L03ABA0AEMNV000AMIGO	EA0130A5C000	KCNDHD5358	280,0	291,5	35,5
DN 65	2" 1/2	PN 63	ET110K03ABA0AEMNV000AMKGO	EA0240A5C000	KCNEEHD5346	280,0	331,5	53,4
DN 65	2" 1/2	PN 100	ET110L03ABA0AEMNV000AMKGO	EA0240A5C000	KCNEEHD5346	280,0	331,5	56,4
DN 80	3"	PN 63	ET111K03ABA0AEMNV000AMNA0	AE160040	KCNEEHV5359	256,5	366,5	63,0
DN 80	3"	PN 100	ET111L03ABA0AEMNV000AMNA0	AE160040	KCNEEHV5359	256,5	366,5	66,4
DN 100	4"	PN 63	ET112K03ABA0AEMNV000AMTA0	AE160100	KCNFGHV5373	381,0	460,0	129,3
DN 100	4"	PN 100	ET112L03ABA0AEMNV000AMTA0	AE160100	KCNFGHV5373	381,0	460,0	133,3

MISURA SIZE		ANSI	CODICE ARTICOLO -316- ITEM CODE -316-	ATTUATORE ACTUATOR	KIT di montaggio Mounting KIT	N [mm]	H [mm]	Peso Kg Weight Kg
DN [mm]	[inch]							
DN 15	1/2"	ANSI 600	ET104404ABA0ADMRV000AMEGO	EA0035A5C000	KCNBCHD5350	250,0	237,0	9,8
DN 20	3/4"	ANSI 600	ET105404ABA0ADMRV000AMEGO	EA0035A5C000	KCNBCHD5357	250,0	242,0	10,9
DN 25	1"	ANSI 600	ET106404ABA0AEMRV000AMGG0	EA0070A5C000	KCNCCHD5342	250,0	247,0	13,9
DN 32	1" 1/4	ANSI 600	ET107404ABA0AEMRV000AMGG0	EA0070A5C000	KCNCCHD5342	250,0	252,0	16,7
DN 40	1" 1/2	ANSI 600	ET108404ABA0AEMNV000AMIGO	EA0130A5C000	KCNDHD5344	280,0	285,5	27,1
DN 50	2"	ANSI 600	ET109404ABA0AEMNV000AMIGO	EA0130A5C000	KCNDHD5358	280,0	291,5	32,1
DN 65	2" 1/2	ANSI 600	ET110404ABA0AEMNV000AMKGO	EA0240A5C000	KCNEEHD5346	280,0	331,5	53,7
DN 80	3"	ANSI 600	ET111404ABA0AEMNV000AMNA0	AE160040	KCNEEHV5359	256,5	366,5	65,1
DN 100	4"	ANSI 600	ET112404ABA0AEMNV000AMTA0	AE160100	KCNFGHV5373	381,0	450,0	140,3



THOR SPLIT BODY ANSI 600

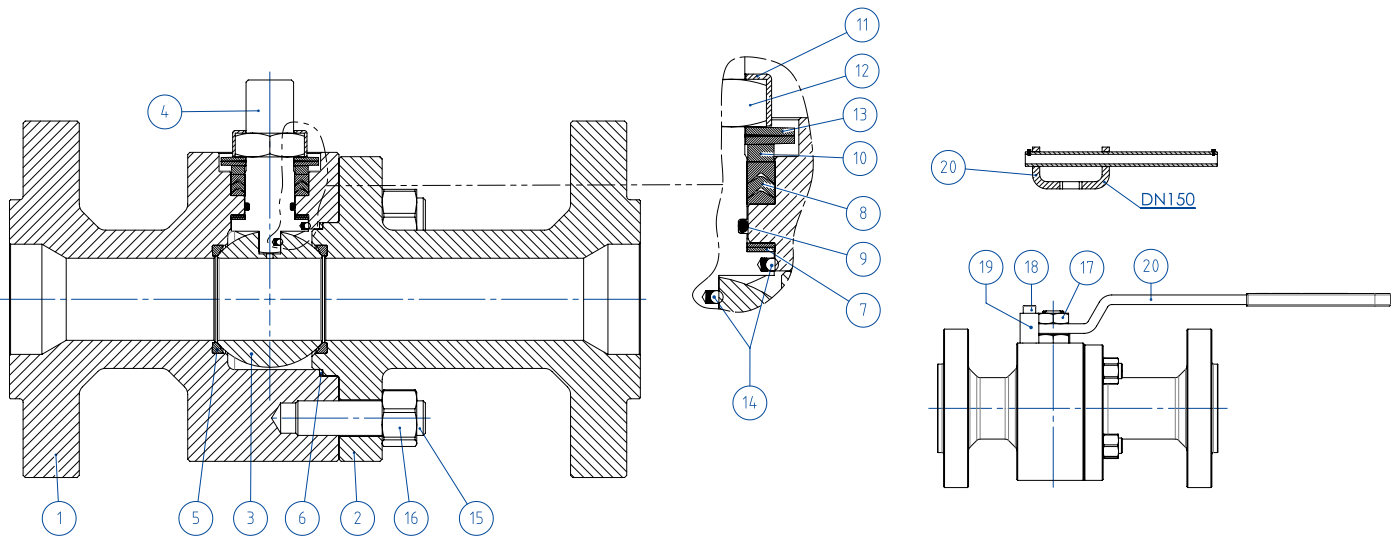
PASSAGGIO RIDOTTO *REDUCED BORE*



MISURA SIZE		DIMENSIONI DIMENSIONS																			KIT LEVA LEVER KIT	KIT GUARNIZIONI SEALS KIT	
DN [mm]	[inch]	ANSI	A	B	C	ØE	Att. ISO	ØM	ØN	F/T	ØG	ØR	S	ØH	N° FORI HOLES N°	ØI	P	Kg	L	H	Y		
20x15	3/4"x1/2"	600	40	54,5	9,6	19	F04	42	M5	12/8	118	42,9	6,4	82,6	4	19	22,6	6,8	190	80	150	KLV58006	KGBV472040
25x20	1"x3/4"	600	45	57,5	9,6	25	F04	42	M5	12/8	125	50,8	6,4	88,9	4	19	24,4	8	216	88	150	KLV58006	KGBV472050
32x25	1 1/4"x1"	600	50	71,5	14,6	32	F05	50	M6	16/10	135	63,5	6,4	98,6	4	19	27,4	10,8	229	95	275	KLV58008	KGBV472060
40x32	1 1/2"x1 1/4"	600	55	76,5	14,6	38	F05	50	M6	16/10	155	73	6,4	114,3	4	22	29,1	14,1	241	100	275	KLV58008	KGBV472070
50x40	2"x1 1/2"	600	68	98,5	20,4	51	F07	70	M8	22/14	165	91,9	6,4	127	8	19	32,1	21,5	292	120	350	KLV58010	KGBV472080
65x50	2 1/2"x2"	600	74	107,5	20,4	64	F07	70	M8	22/14	190	104,6	6,4	149,4	8	22	36,1	28,8	330	129	350	KLV58010	KGBV472090
80x65	3"x2 1/2"	600	94	144	25,1	76	F10	102	M10	30/18	210	127	6,4	168,1	8	22	39,1	49	356	180	450	KLV58012	KGBV472100
100x80	4"x3"	600	101,5	151,5	25,1	102	F10	102	M10	30/18	275	157,2	6,4	215,9	8	25,5	45,1	75,3	432	188	450	KLV58012	KGBV472110
150x100	6"x4"	600	126	196,5	40,5	152	F14	140	M16	45/30	357	215,9	6,4	292,1	12	28,6	54,4	160	559	243	800	KLV58014	KGBV472120



THOR SPLIT BODY ANSI 600 - PASSAGGIO RIDOTTO REDUCED BORE ACCIAIO AL CARBONIO CARBON STEEL TABELLA DEI MATERIALI MATERIALS TABLE



MATERIALI MATERIALS			
SPLIT BODY ANSI 600 acciaio al carbonio carbon steel			
N°	Descrizione Description	A105 Carbon steel	LF2 Carbon steel
1	Corpo Body	ASTM A105	ASTM A350 LF2
2	Terminale Connector		
3	Sfera Ball	ASTM A351 CF8 (**)(**) (1.4308/Gx5CrNi19-10)	
4	Stelo Stem	A564 TP.630 (17-4PH)	
5*	Seggio Seat	DEVLON (.)	
6*	Guarnizione corpo-terminale Body-connector gasket	GRAFOIL	
7*	Tenuta inferiore stelo Stem lower sealing	PTFE Modificato Modified PTFE (.) (2)	
8*	Pacco a V Chevron rings	PTFE Modificato Modified PTFE (.)	
9*	O-ring stelo Stem o-ring	FKM (.)	
10	Anello premiguarnizione Packing gland ring	Acciaio al carbonio zincato Carbon steel galvanized (x) (1)	
11	Piastra blocca dado Stop nut plate	304 S.S.	
12	Dado stelo Stem nut	Acciaio al carbonio zincato Carbon steel galvanized (x)	
13	Molle a tazza Springs washer	Acciaio al carbonio zincato Carbon steel galvanized (xx)	
14	Dispositivo antistatico Antistatic device	316 S.S.	
15	Tiranti Stud bolt	ASTM A193-B7	ASTM A320-L7M
16	Dadi Nut	ASTM A194-Gr.2H	ASTM A194-Gr.7M
17	Controdado Lock nut	Acciaio al carbonio zincato Carbon steel galvanized (x)	
18	Vite di fermo Holder screw	A2-70 (304 S.S.)	
19	Fermo di posizione Holder screw	Acciaio al carbonio zincato Carbon steel galvanized (x)	
20	Leva Lever	Fe37 zincato - Galvanized (x)	

* Componenti del kit di guarnizioni Components of seals kit

A richiesta disponibile in: Available on request:

(*): A351 CF8M

(**): Per DN≤40x32 disponibile solo in CF8M For DN≤40x32 available only in CF8M

(x): 304 s.s.

(xx): 301 s.s.

(1): Per DN150x100 disponibile solo in 304 for DN150x100 available only in 304

(2): per DN≤40x32 disponibile solo in DEVLON for DN≤40x32 available only in DEVLON

(.): Altri materiali disponibili a richiesta Other materials available on request



THOR SPLIT BODY - ANSI 600 - PASSAGGIO RIDOTTO REDUCED BORE
ACCIAIO AL CARBONIO CARBON STEEL
ASSE LIBERO E CON LEVA FREE SHAFT AND WITH LEVER

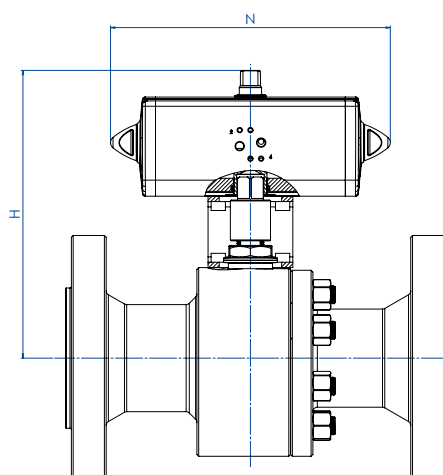


CODICI VALVOLE ASSE LIBERO (V_) E CON LEVA (L_) IN ACCIAIO AL CARBONIO
CARBON STEEL BARE SHAFT (V_) AND LEVER (L_) OPERATED VALVE CODE

MISURA SIZE		ANSI	A105 Carbon steel	LF2 Carbon steel
DN [mm]	[inch]			
DN 20x15	3/4" x 1/2"	ANSI 600	V/LT135404CAA0AFMRV00B	V/LT135404CBA0AHMRV00B
DN 25x20	1" x 3/4"	ANSI 600	V/LT136404CAA0AFMRV00B	V/LT136404CBA0AHMRV00B
DN 32x25	1" 1/4 x 1"	ANSI 600	V/LT137404CAA0AGMRV00B	V/LT137404CBA0AIMRV00B
DN 40x32	1" 1/2 x 1" 1/4	ANSI 600	V/LT138404CAA0AGMRV00B	V/LT138404CBA0AIMRV00B
DN 50x40	2" x 1" 1/2	ANSI 600	V/LT139404CAB0AGMNV00B	V/LT139404CBB0AIMNV00B
DN 65x50	2" 1/2 x 2"	ANSI 600	V/LT140404CAB0AGMNV00B	V/LT140404CBB0AIMNV00B
DN 80x65	3" x 2" 1/2	ANSI 600	V/LT141404CAB0AGMNV00B	V/LT141404CBB0AIMNV00B
DN 100x80	4" x 3"	ANSI 600	V/LT142404CAB0AGMNV00B	V/LT142404CBB0AIMNV00B
DN 150x100	6" x 4"	ANSI 600	V/LT174404CAB0AGMNV00B	V/LT174404CBB0AIMNV00B



THOR SPLIT BODY - ANSI 600 - PASSAGGIO RIDOTTO *REDUCED BORE* ACCIAIO AL CARBONIO *CARBON STEEL* CON ATTUATORE PNEUMATICO DA *WITH DA PNEUMATIC ACTUATOR*



CODICI ARTICOLI IN A105 ACCIAIO AL CARBONIO *ITEM CODES IN A105 CARBON STEEL*

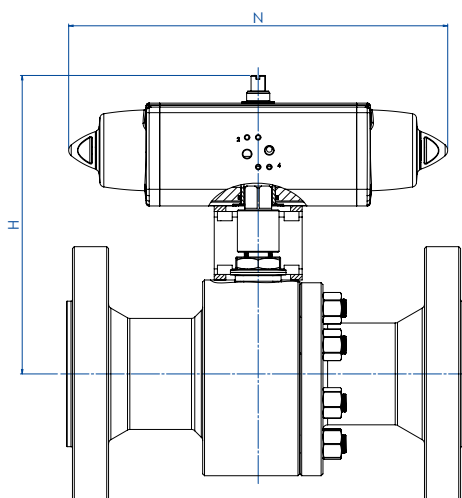
MISURA <i>SIZE</i>		ANSI	CODICE ARTICOLO <i>ITEM CODE</i>	ATTUATORE <i>ACTUATOR</i>	KIT di montaggio <i>Mounting KIT</i>	N [mm]	H [mm]	Peso Kg <i>Weight Kg</i>
DN [mm]	[inch]							
DN20X15	3/4" x 1/2"	ANSI 600	DT135404CAA0AFMRV00BAFCA0	DAN0030411S	KCNBCHD5340	174,2	179,2	8,5
DN25X20	1" x 3/4"	ANSI 600	DT136404CAA0AFMRV00BAFDA0	DAN0045412S	KCNBCHD5341	188,5	189,5	9,9
DN32X25	1" 1/4 x 1"	ANSI 600	DT137404CAA0AGMRV00BAFEA0	DAN0060412S	KCNCCHD5342	198,0	200,4	13,2
DN40X32	1" 1/2 x 1" 1/4	ANSI 600	DT138404CAA0AGMRV00BAFGA0	DAN0106411S	KCNCCHD5343	237,0	218,3	17,4
DN50X40	2" x 1" 1/2	ANSI 600	DT139404CAB0AGMNV00BAFHA0	DAN0120411S	KCNDDHD5344	244,1	235,0	25,1
DN65X50	2" 1/2 x 2"	ANSI 600	DT140404CAB0AGMNV00BAFIA0	DAN0180411S	KCNDDHD5393	289,9	271,5	34,6
DN80X65	3" x 2" 1/2	ANSI 600	DT141404CAB0AGMNV00BAFJA0	DAN0240411S	KCNEEHD5346	313,6	315,5	56,3
DN100X80	4" x 3"	ANSI 600	DT142404CAB0AGMNV00BAFKA0	DAN0360411S	KCNEEHD5346	339,3	327,5	83,7
DN150X100	6" x 4"	ANSI 600	DT174404CAB0AGMNV00BAFMA0	DAN0720411S	KCNFGHD5365	433,1	404,0	176,9

CODICI ARTICOLI IN LF2 ACCIAIO AL CARBONIO *ITEM CODES IN LF2 CARBON STEEL*

MISURA <i>SIZE</i>		ANSI	CODICE ARTICOLO <i>ITEM CODE</i>	ATTUATORE <i>ACTUATOR</i>	KIT di montaggio <i>Mounting KIT</i>	N [mm]	H [mm]	Peso Kg <i>Weight Kg</i>
DN [mm]	[inch]							
DN20X15	3/4" x 1/2"	ANSI 600	DT135404CBA0AHMRV00BAFCA0	DAN0030411S	KCNBCHD5340	174,2	179,2	8,5
DN25X20	1" x 3/4"	ANSI 600	DT136404CBA0AHMRV00BAFDA0	DAN0045412S	KCNBCHD5341	188,5	189,5	9,9
DN32X25	1" 1/4 x 1"	ANSI 600	DT137404CBA0AIMRV00BAFEA0	DAN0060412S	KCNCCHD5342	198,0	200,4	13,2
DN40X32	1" 1/2 x 1" 1/4	ANSI 600	DT138404CBA0AIMRV00BAFGA0	DAN0106411S	KCNCCHD5343	237,0	218,3	17,4
DN50X40	2" x 1" 1/2	ANSI 600	DT139404CBB0AIMNV00BAFHA0	DAN0120411S	KCNDDHD5344	244,1	235,0	25,1
DN65X50	2" 1/2 x 2"	ANSI 600	DT140404CBB0AIMNV00BAFIA0	DAN0180411S	KCNDDHD5393	289,9	271,5	34,6
DN80X65	3" x 2" 1/2	ANSI 600	DT141404CBB0AIMNV00BAFJA0	DAN0240411S	KCNEEHD5346	313,6	315,5	56,3
DN100X80	4" x 3"	ANSI 600	DT142404CBB0AIMNV00BAFKA0	DAN0360411S	KCNEEHD5346	339,3	327,5	83,7
DN150X100	6" x 4"	ANSI 600	DT174404CBB0AIMNV00BAFMA0	DAN0720411S	KCNFGHD5365	433,1	404,0	176,9



THOR SPLIT BODY - ANSI 600 - PASSAGGIO RIDOTTO REDUCED BORE
ACCIAIO AL CARBONIO CARBON STEEL
CON ATTUATORE PNEUMATICO SR WITH SR PNEUMATIC ACTUATOR

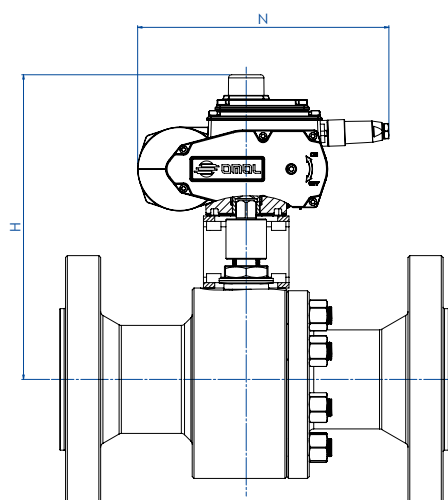


MISURA SIZE		ANSI	CODICE ARTICOLO ITEM CODE	ATTUATORE ACTUATOR	KIT di montaggio Mounting KIT	N [mm]	H [mm]	Peso Kg Weight Kg
DN [mm]	[inch]							
DN20X15	3/4" x 1/2"	ANSI 600	ST135404CAA0AFMRV00BAFEA0	SRN0030402S	KCNBCHD5350	258,8	190,4	9,5
DN25X20	1" x 3/4"	ANSI 600	ST136404CAA0AFMRV00BAFGA0	SRN0053401S	KCNBCHD5351	304,2	208,3	11,8
DN32X25	1" 1/4 x 1"	ANSI 600	ST137404CAA0AGMRV00BAFHA0	SRN0060401S	KCNCCHD5343	338,5	217,0	15,0
DN40X32	1" 1/2 x 1" 1/4	ANSI 600	ST138404CAA0AGMRV00BAFIA0	SRN0090401S	KCNCDDHD5352	393,7	252,5	21,2
DN50X40	2" x 1" 1/2	ANSI 600	ST139404CAB0AGMNV00BAFJA0	SRN0120401S	KCNDHD5353	409,6	269,5	29,5
DN65X50	2" 1/2 x 2"	ANSI 600	ST140404CAB0AGMNV00BAFKA0	SRN0180401S	KCNDHD5393	474,0	282,0	38,9
DN80X65	3" x 2" 1/2	ANSI 600	ST141404CAB0AGMNV00BAFLA0	SRN0240401S	KCNEEHD5354	520,5	339,0	62,7
DN100X80	4" x 3"	ANSI 600	ST142404CAB0AGMNV00BAFMA0	SRN0360401S	KCNEEHD5354	613,0	359,5	93,7
DN150X100	6" x 4"	ANSI 600	ST174404CAB0AGMNV00BAFQA0	SRN0720401S	KCNGGHD5369	798,0	442,0	198,1

MISURA SIZE		ANSI	CODICE ARTICOLO ITEM CODE	ATTUATORE ACTUATOR	KIT di montaggio Mounting KIT	N [mm]	H [mm]	Peso Kg Weight Kg
DN [mm]	[inch]							
DN20X15	3/4" x 1/2"	ANSI 600	ST135404CBA0AHMRV00BAFEA0	SRN0030402S	KCNBCHD5350	258,8	190,4	9,5
DN25X20	1" x 3/4"	ANSI 600	ST136404CBA0AHMRV00BAFGA0	SRN0053401S	KCNBCHD5351	304,2	208,3	11,8
DN32X25	1" 1/4 x 1"	ANSI 600	ST137404CBA0AIMRV00BAFHA0	SRN0060401S	KCNCCHD5343	338,5	217,0	15,0
DN40X32	1" 1/2 x 1" 1/4	ANSI 600	ST138404CBA0AIMRV00BAFIA0	SRN0090401S	KCNCDDHD5352	393,7	252,5	21,2
DN50X40	2" x 1" 1/2	ANSI 600	ST139404CBB0AIMNV00BAFJA0	SRN0120401S	KCNDHD5353	409,6	269,5	29,5
DN65X50	2" 1/2 x 2"	ANSI 600	ST140404CBB0AIMNV00BAFKA0	SRN0180401S	KCNDHD5393	474,0	282,0	38,9
DN80X65	3" x 2" 1/2	ANSI 600	ST141404CBB0AIMNV00BAFLA0	SRN0240401S	KCNEEHD5354	520,5	339,0	62,7
DN100X80	4" x 3"	ANSI 600	ST142404CBB0AIMNV00BAFMA0	SRN0360401S	KCNEEHD5354	613,0	359,5	93,7
DN150X100	6" x 4"	ANSI 600	ST174404CBB0AIMNV00BAFQA0	SRN0720401S	KCNGGHD5369	798,0	442,0	198,1



THOR SPLIT BODY - ANSI 600 - PASSAGGIO RIDOTTO *REDUCED BORE* ACCIAIO AL CARBONIO *CARBON STEEL* CON ATTUATORE ELETTRICO *WITH ELECTRIC ACTUATOR*



CODICI ARTICOLI IN A105 ACCIAIO AL CARBONIO *ITEM CODES IN A105 CARBON STEEL*

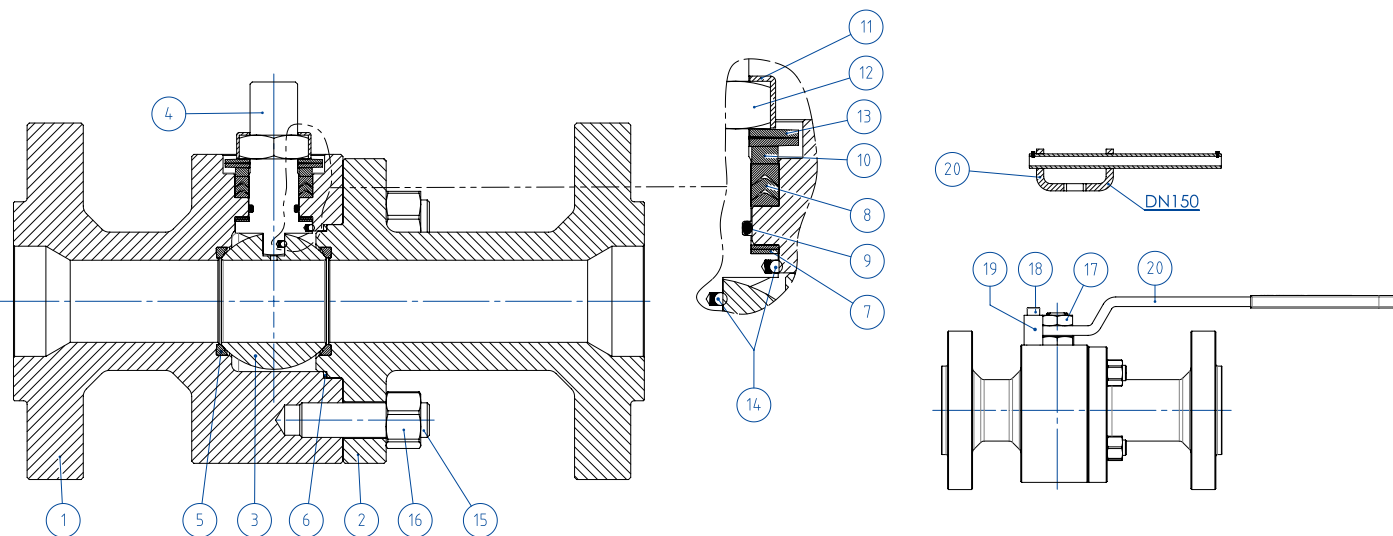
MISURA <i>SIZE</i>		ANSI	CODICE ARTICOLO <i>ITEM CODE</i>	ATTUATORE <i>ACTUATOR</i>	KIT di montaggio <i>Mounting KIT</i>	N [mm]	H [mm]	Peso Kg <i>Weight Kg</i>
DN [mm]	SIZE [inch]							
DN20X15	3/4" x 1/2"	ANSI 600	ET135404CAA0AFMRV00BAMEG0	EA0035A5C000	KCNBCHD5350	250,0	237,0	11,1
DN25X20	1" x 3/4"	ANSI 600	ET136404CAA0AFMRV00BAMEG0	EA0035A5C000	KCNBCHD5357	250,0	242,0	12,4
DN32X25	1" 1/4 x 1"	ANSI 600	ET137404CAA0AGMRV00BAMGG0	EA0070A5C000	KCNCCHD5342	250,0	247,0	15,4
DN40X32	1" 1/2 x 1" 1/4	ANSI 600	ET138404CAA0AGMRV00BAMGG0	EA0070A5C000	KCNCCHD5342	250,0	252,0	18,7
DN50X40	2" x 1" 1/2	ANSI 600	ET139404CAB0AGMNV00BAMIG0	EA0130A5C000	KCNDHD5344	280,0	285,5	29,7
DN65X50	2" 1/2 x 2"	ANSI 600	ET140404CAB0AGMNV00BAMIG0	EA0130A5C000	KCNDHD5358	280,0	291,5	37,0
DN80X65	3" x 2" 1/2	ANSI 600	ET141404CAB0AGMNV00BAMKG0	EA0240A5C000	KCNEEHD5346	280,0	331,5	58,4
DN100X80	4" x 3"	ANSI 600	ET142404CAB0AGMNV00BAMNA0	AE160040	KCNEEHV5359	256,5	366,5	86,4
DN150X100	6" x 4"	ANSI 600	ET174404CAB0AGMNV00BAMTA0	AE160100	KCNFGHV5373	381,0	460,0	187,3

CODICI ARTICOLI IN LF2 ACCIAIO AL CARBONIO *ITEM CODES IN LF2 CARBON STEEL*

MISURA <i>SIZE</i>		ANSI	CODICE ARTICOLO <i>ITEM CODE</i>	ATTUATORE <i>ACTUATOR</i>	KIT di montaggio <i>Mounting KIT</i>	N [mm]	H [mm]	Peso Kg <i>Weight Kg</i>
DN [mm]	SIZE [inch]							
DN20X15	3/4" x 1/2"	ANSI 600	ET135404CBA0AHMRV00BAMEG0	EA0035A5C000	KCNBCHD5350	250,0	237,0	11,1
DN25X20	1" x 3/4"	ANSI 600	ET136404CBA0AHMRV00BAMEG0	EA0035A5C000	KCNBCHD5357	250,0	242,0	12,4
DN32X25	1" 1/4 x 1"	ANSI 600	ET137404CBA0AIMRV00BAMGG0	EA0070A5C000	KCNCCHD5342	250,0	247,0	15,4
DN40X32	1" 1/2 x 1" 1/4	ANSI 600	ET138404CBA0AIMRV00BAMGG0	EA0070A5C000	KCNCCHD5342	250,0	252,0	18,7
DN50X40	2" x 1" 1/2	ANSI 600	ET139404CBB0AIMNV00BAMIG0	EA0130A5C000	KCNDHD5344	280,0	285,5	29,7
DN65X50	2" 1/2 x 2"	ANSI 600	ET140404CBB0AIMNV00BAMIG0	EA0130A5C000	KCNDHD5358	280,0	291,5	37,0
DN80X65	3" x 2" 1/2	ANSI 600	ET141404CBB0AIMNV00BAMKG0	EA0240A5C000	KCNEEHD5346	280,0	331,5	58,4
DN100X80	4" x 3"	ANSI 600	ET142404CBB0AIMNV00BAMNA0	AE160040	KCNEEHV5359	256,5	366,5	86,4
DN150X100	6" x 4"	ANSI 600	ET174404CBB0AIMNV00BAMTA0	AE160100	KCNFGHV5373	381,0	460,0	187,3



THOR SPLIT BODY - ANSI 600 - PASSAGGIO RIDOTTO REDUCED BORE
ACCIAIO INOX STAINLESS STEEL
TABELLA DEI MATERIALI MATERIALS TABLE



MATERIALI MATERIALS ANSI 600 DA BARRA FROM BAR		
N°	Descrizione Description	316 Stainless steel
1	Corpo Body	ASTM A 182 F316 / A479TP.316 (1.4401 / X5CrNiMo 17-12-2)
2	Terminale Connector	
3	Sfera Ball	ASTM A351 CF8M (1.4408/Gx5CrNiMo19-12-2)
4	Stelo Stem	A564 TP.630 (17-4PH)
5*	Seggio Seat	DEVLON (.)
6*	Guarnizione corpo terminale Body-Connector gasket	GRAFOIL
7*	Tenuta inferiore stelo Stem lower sealing	PTFE Modificato Modified PTFE (.) (1)
8*	Guarnizioni tipo Chevron Chevron seals	PTFE Modificato Modified PTFE (.)
9*	O-ring stelo Stem o-ring	FKM (.)
10	Anello premi guarnizione Packing gland ring	304 S.S.
11	Piastra blocca dado Stop nut plate	304 S.S.
12	Dado stelo Stem nut	Acciaio al carbonio zincato Carbon steel galvanized (x)
13	Molle a tazza Springs washer	Acciaio al carbonio zincato Carbon steel galvanized (xx)
14	Dispositivo antistatico Antistatic device	316 S.S.
15	Tiranti Stud bolt	ASTM A193-B8
16	Dadi Nut	ASTM A194-Gr.8
17	Controdado Lock nut	Acciaio al carbonio zincato Carbon steel galvanized
18	Vite di fermo Holder screw	A2-70 (304 S.S.)
19	Fermo di posizione Holder screw	Acciaio al carbonio zincato Carbon steel galvanized (x)
20	Leva Lever	Fe37 zincato-galvanized (x)

* Componenti del kit di guarnizioni Components of seals kit

A richiesta disponibile in: Available on request:

(x): 304 s.s.

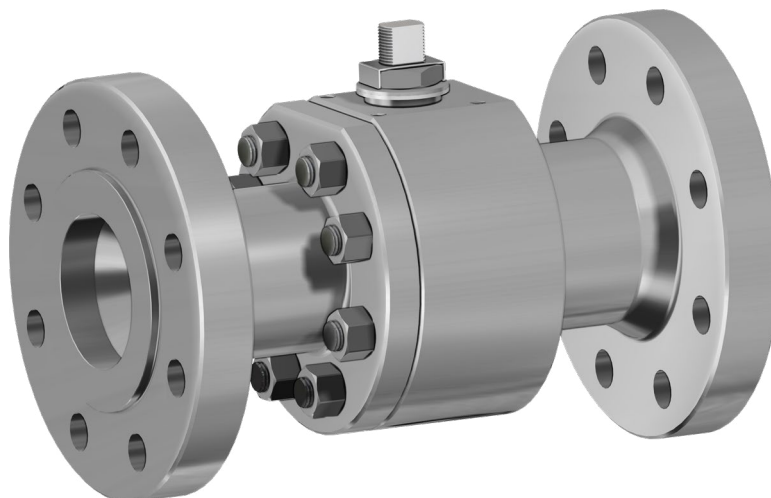
(xx): 301 s.s.

(1): per DN≤40x32 disponibile solo in DEVLON for DN≤40x32 available only in DEVLON

(.): Altri materiali disponibili a richiesta Other materials available on request



THOR SPLIT BODY - ANSI 600 - PASSAGGIO RIDOTTO REDUCED BORE
ACCIAIO INOX STAINLESS STEEL
ASSE LIBERO E CON LEVA FREE SHAFT AND WITH LEVER

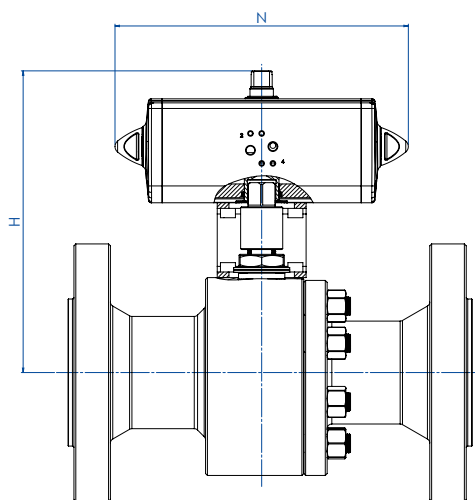
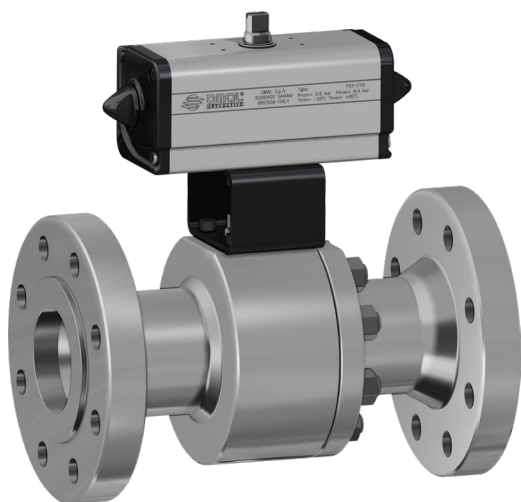


CODICI VALVOLE ASSE LIBERO (V_) E CON LEVA (L_) IN ACCIAIO INOX
STAINLESS STEEL BARE SHAFT (V_) AND LEVER (L_) OPERATED VALVE CODE

MISURA SIZE		ANSI	316 Stainless steel
DN [mm]	[inch]		
DN 20x15	3/4" x 1/2"	ANSI 600	V/LT135404ABA0ADMRV000
DN 25x20	1" x 3/4"	ANSI 600	V/LT136404ABA0ADMRV000
DN 32x25	1" 1/4 x 1"	ANSI 600	V/LT137404ABA0AEMRV000
DN 40x32	1" 1/2 x 1" 1/4	ANSI 600	V/LT138404ABA0AEMRV000
DN 50x40	2" x 1" 1/2	ANSI 600	V/LT139404ABA0AEMNV000
DN 65x50	2" 1/2 x 2"	ANSI 600	V/LT140404ABA0AEMNV000
DN 80x65	3" x 2" 1/2	ANSI 600	V/LT141404ABA0AEMNV000
DN 100x80	4" x 3"	ANSI 600	V/LT142404ABA0AEMNV000
DN 150x100	6" x 4"	ANSI 600	V/LT174404ABA0AEMNV000



THOR SPLIT BODY - ANSI 600 - PASSAGGIO RIDOTTO REDUCED BORE
ACCIAIO INOX STAINLESS STEEL
CON ATTUATORE PNEUMATICO DA WITH DA PNEUMATIC ACTUATOR

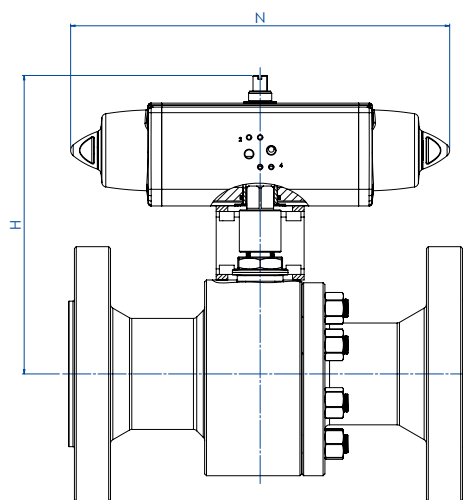
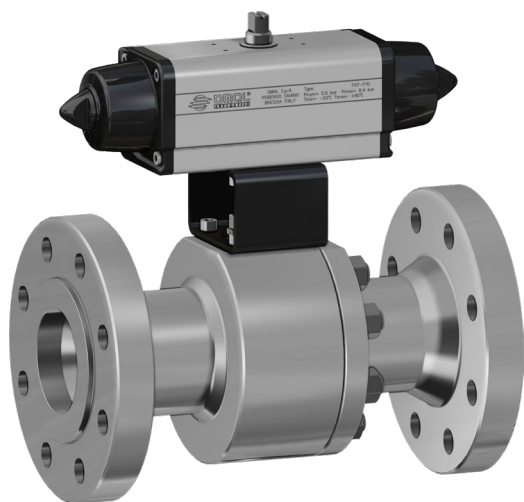


CODICI ARTICOLI IN 316 ACCIAIO INOX ITEM CODES IN 316 STAINLESS STEEL

MISURA SIZE		ANSI	CODICE ARTICOLO -316- ITEM CODE -316-	ATTUATORE ACTUATOR	KIT di montaggio Mounting KIT	N [mm]	H [mm]	Peso Kg Weight Kg
DN [mm]	SIZE [inch]							
DN20X15	3/4" x 1/2"	ANSI 600	DT135404ABA0ADMRV000AFCA0	DAN0030411S	KCNBCHD5340	174,2	179,2	8,5
DN25X20	1" x 3/4"	ANSI 600	DT136404ABA0ADMRV000AFDA0	DAN0045412S	KCNBCHD5341	188,5	189,5	9,9
DN32X25	1" 1/4 x 1"	ANSI 600	DT137404ABA0AEMRV000AFEAO	DAN0060412S	KCNCCHD5342	198,0	200,4	13,2
DN40X32	1" 1/2 x 1" 1/4	ANSI 600	DT138404ABA0AEMRV000AFGA0	DAN0106411S	KCNCCHD5343	237,0	218,3	17,4
DN50X40	2" x 1" 1/2	ANSI 600	DT139404ABA0AEMNV000AFHA0	DAN0120411S	KCNDDHD5344	244,1	235,0	25,1
DN65X50	2" 1/2 x 2"	ANSI 600	DT140404ABA0AEMNV000AFIA0	DAN0180411S	KCNDDHD5393	289,9	271,5	34,6
DN80X65	3" x 2" 1/2	ANSI 600	DT141404ABA0AEMNV000AFJA0	DAN0240411S	KCNEEHD5346	313,6	315,5	56,3
DN100X80	4" x 3"	ANSI 600	DT142404ABA0AEMNV000AFKA0	DAN0360411S	KCNEEHD5346	339,3	327,5	83,7
DN150X100	6" x 4"	ANSI 600	DT174404ABA0AEMNV000AFMA0	DAN0720411S	KCNFGHD5365	433,1	404,0	176,9



THOR SPLIT BODY - ANSI 600 - PASSAGGIO RIDOTTO REDUCED BORE
ACCIAIO INOX STAINLESS STEEL
CON ATTUATORE PNEUMATICO SR WITH SR PNEUMATIC ACTUATOR

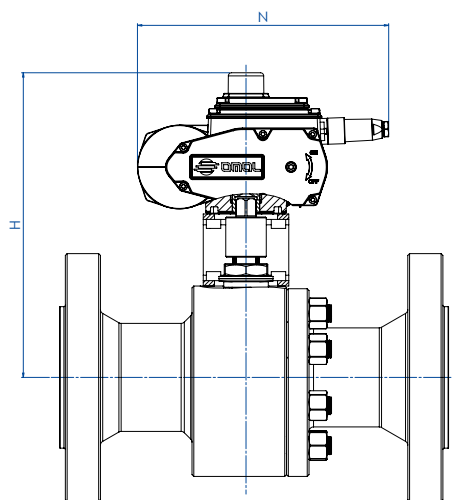
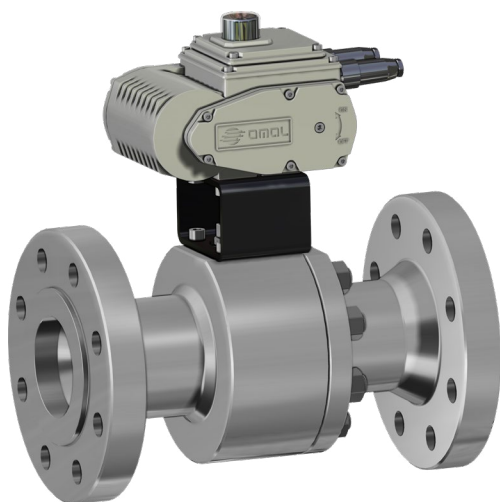


CODICI ARTICOLI IN 316 ACCIAIO INOX ITEM CODES IN 316 STAINLESS STEEL

MISURA SIZE		ANSI	CODICE ARTICOLO -316- ITEM CODE -316-	ATTUATORE ACTUATOR	KIT di montaggio Mounting KIT	N [mm]	H [mm]	Peso Kg Weight Kg
DN [mm]	[inch]							
DN20X15	3/4" x 1/2"	ANSI 600	ST135404ABA0ADMRV000AFEAO	SRN0030402S	KCNBCHD5350	258,8	190,4	9,5
DN25X20	1" x 3/4"	ANSI 600	ST136404ABA0ADMRV000AFGAO	SRN0053401S	KCNBCHD5351	304,2	208,3	11,8
DN32X25	1" 1/4 x 1"	ANSI 600	ST137404ABA0AEMRV000AFHAO	SRN0060401S	KCNCCHD5343	338,5	217,0	15,0
DN40X32	1" 1/2 x 1" 1/4	ANSI 600	ST138404ABA0AEMRV000AFIAO	SRN0090401S	KCNCDDHD5352	393,7	252,5	21,2
DN50X40	2" x 1" 1/2	ANSI 600	ST139404ABA0AEMNV000AFJAO	SRN0120401S	KCNDHD5353	409,6	269,5	29,5
DN65X50	2" 1/2 x 2"	ANSI 600	ST140404ABA0AEMNV000AFKAO	SRN0180401S	KCNDHD5393	474,0	282,0	38,9
DN80X65	3" x 2" 1/2	ANSI 600	ST141404ABA0AEMNV000AFLAO	SRN0240401S	KCNEEHD5354	520,5	339,0	62,7
DN100X80	4" x 3"	ANSI 600	ST142404ABA0AEMNV000AFMAO	SRN0360401S	KCNEEHD5354	613,0	359,5	93,7
DN150X100	6" x 4"	ANSI 600	ST174404ABA0AEMNV000AFQAO	SRN0720401S	KCNGGHD5369	798,0	442,0	198,1



THOR SPLIT BODY - ANSI 600 - PASSAGGIO RIDOTTO REDUCED BORE
ACCIAIO INOX STAINLESS STEEL
CON ATTUATORE ELETTRICO WITH ELECTRIC ACTUATOR



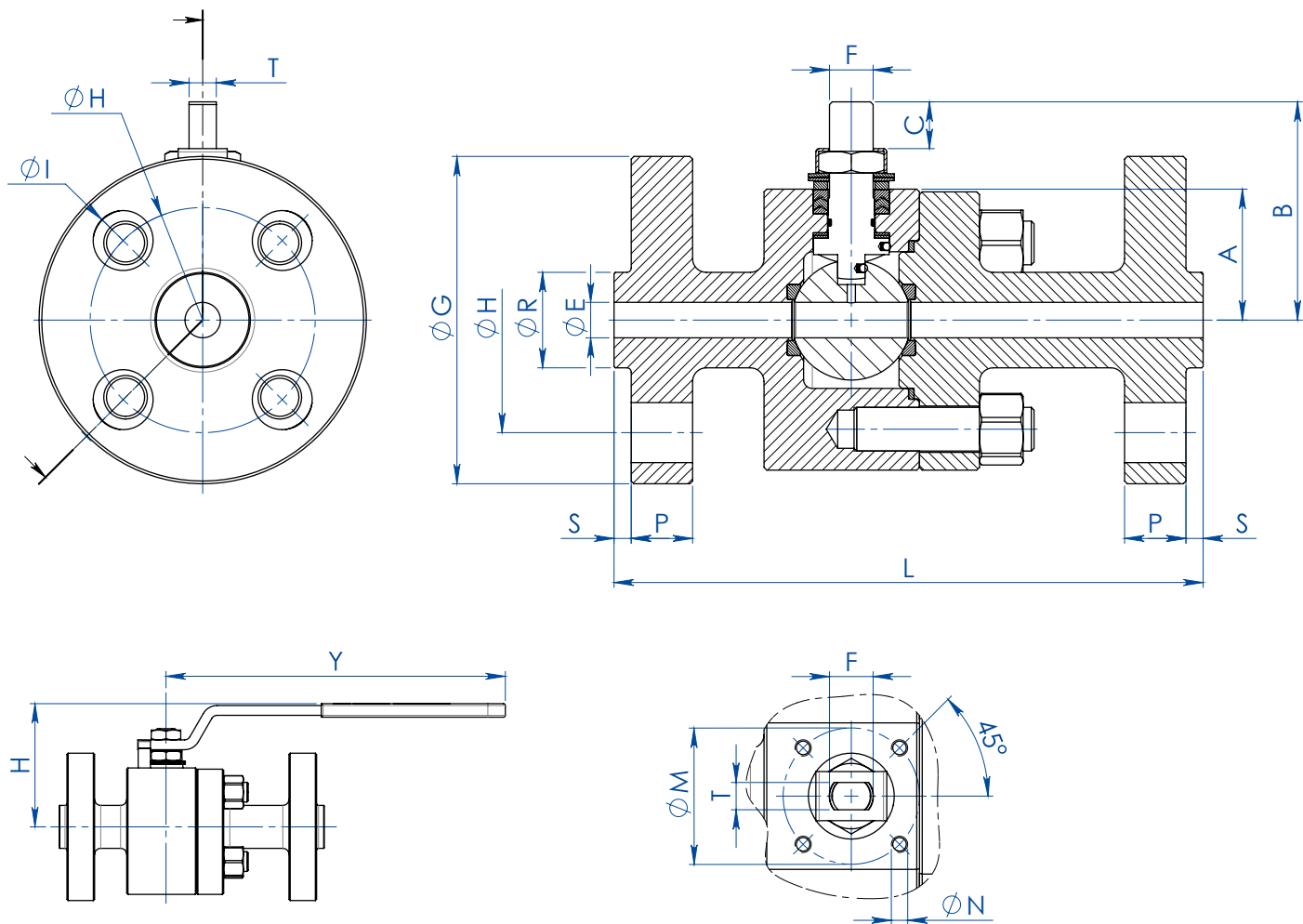
CODICI ARTICOLI IN 316 ACCIAIO INOX ITEM CODES IN 316 STAINLESS STEEL

MISURA SIZE		ANSI	CODICE ARTICOLO -316- ITEM CODE -316-	ATTUATORE ACTUATOR	KIT di montaggio Mounting KIT	N [mm]	H [mm]	Peso Kg Weight Kg
DN [mm]	SIZE [inch]							
DN20X15	3/4" x 1/2"	ANSI 600	ET135404ABA0ADMRV000AMEG0	EA0035A5C000	KCNBCHD5350	250,0	237,0	11,1
DN25X20	1" x 3/4"	ANSI 600	ET136404ABA0ADMRV000AMEG0	EA0035A5C000	KCNBCHD5357	250,0	242,0	12,4
DN32X25	1" 1/4 x 1"	ANSI 600	ET137404ABA0AEMRV000AMGG0	EA0070A5C000	KCNCCHD5342	250,0	247,0	15,4
DN40X32	1" 1/2 x 1" 1/4	ANSI 600	ET138404ABA0AEMRV000AMGG0	EA0070A5C000	KCNCCHD5342	250,0	252,0	18,7
DN50X40	2" x 1" 1/2	ANSI 600	ET139404ABA0AEMNV000AMIG0	EA0130A5C000	KCNDDHD5344	280,0	285,5	29,7
DN65X50	2" 1/2 x 2"	ANSI 600	ET140404ABA0AEMNV000AMIG0	EA0130A5C000	KCNDDHD5358	280,0	291,5	37,0
DN80X65	3" x 2" 1/2	ANSI 600	ET141404ABA0AEMNV000AMKG0	EA0240A5C000	KCNEEHD5346	280,0	331,5	58,4
DN100X80	4" x 3"	ANSI 600	ET142404ABA0AEMNV000AMNA0	AE160040	KCNEEHV5359	256,5	366,5	86,4
DN150X100	6" x 4"	ANSI 600	ET174404ABA0AEMNV000AMTA0	AE160100	KCNFGHV5373	381,0	460,0	187,3





THOR SPLIT BODY ANSI 900-1500



MISURA SIZE		DIMENSIONI DIMENSIONS																					
DN [mm]	[inch]	ANSI	A	B	C	ØE	ATT. ISO	ØM	ØN	F/T	ØG	ØR	S	ØH	N° FORI HOLES [®]	ØI	P	L	Kg	H	Y	KIT LEVA LEVER KIT	KIT GUARNIZIONI SEALS KIT
DN 15	1/2"	ANSI 900-1500	48	77,5	14,6	13	F05	50	M6	16/10	123	35,1	6,4	82,6	4	22	22,5	216	9,7	100	275	KLV58008	KGBV469040
DN 20	3/4"	ANSI 900-1500	48	77,5	14,6	19	F05	50	M6	16/10	130	42,9	6,4	88,9	4	22	25,2	229	11,7	100	275	KLV58008	KGBV469050
DN 25	1"	ANSI 900-1500	48	77,5	14,6	25	F05	50	M6	16/10	149	50,8	6,4	101,6	4	25,4	28,7	254	13,9	100	275	KLV58008	KGBV469060



THOR SPLIT BODY ANSI 900-1500

DIAGRAMMA PRESSIONE/TEMPERATURA PER VALVOLE CON CORPO IN ACCIAIO AL CARBONIO TEMPERATURE/PRESSURE DIAGRAM FOR CARBON STEEL VALVE

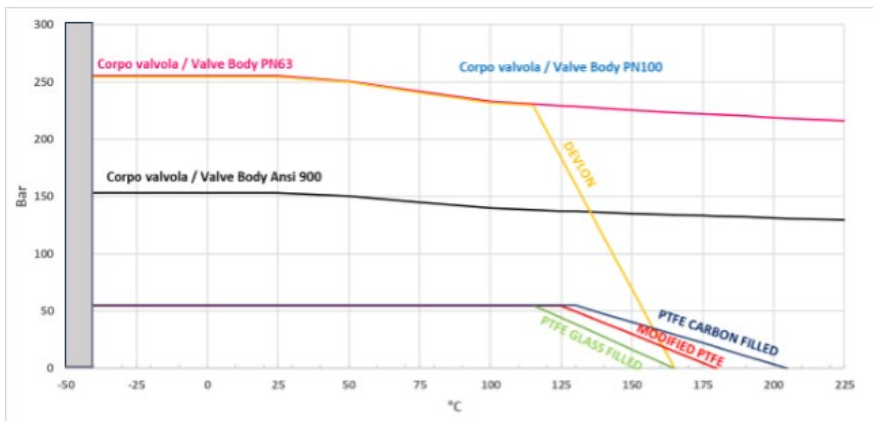


DIAGRAMMA PRESSIONE/TEMPERATURA PER VALVOLE CON CORPO IN ACCIAIO INOX TEMPERATURE/PRESSURE DIAGRAM FOR STAINLESS STEEL VALVE

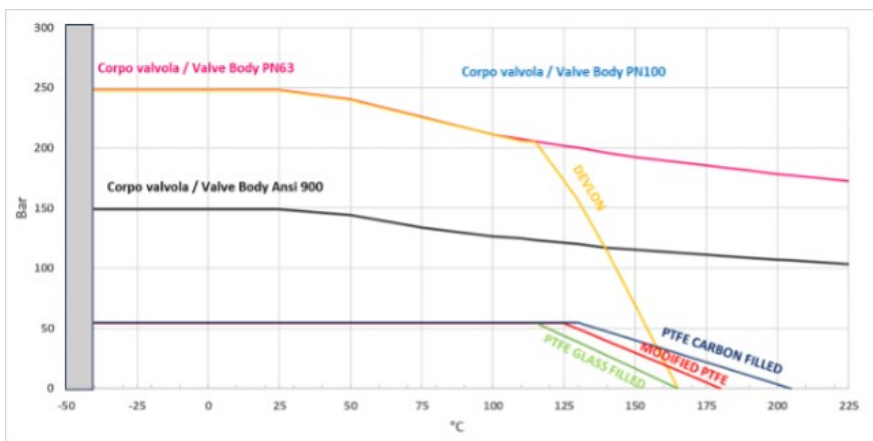
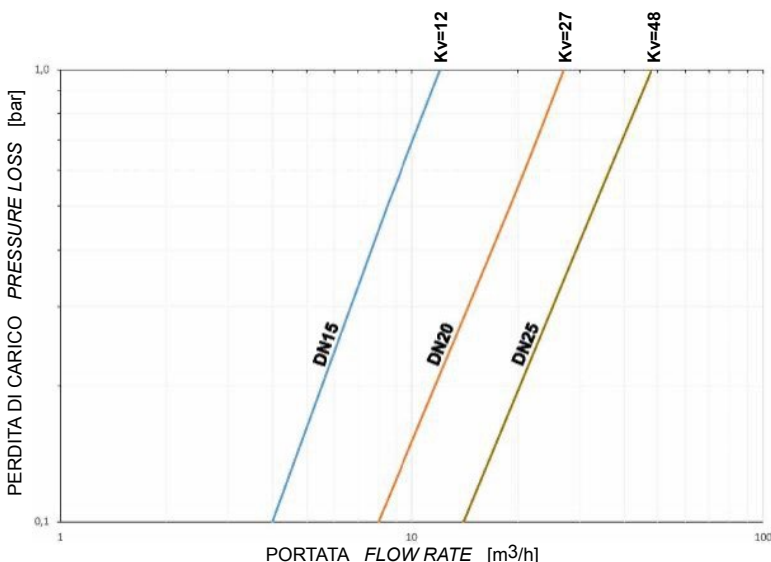


DIAGRAMMA PORTATA/PERDITA DI CARICO E COEFFICIENTE NOMINALE Kv FLOW/PRESSURE LOSS DIAGRAM AND Kv NOMINAL COEFFICIENT



Il valore Kv è il valore di portata in m³/h (con acqua a 15°C) che provoca la caduta di pressione di 1 bar.

Kv is the coefficient, expressed in m³/h (with water at 15°C) causing a pressure loss of 1 bar.



THOR SPLIT BODY ANSI 900-1500

COPPIE DI SPUNTO IN Nm CON SEGGIO IN DEVLON E CON FLUIDO INTERCETTATO ACQUA (*) BREAKAWAY TORQUES IN Nm WITH DEVLON SEATS AND WITH WATER (*)

	DN 15	DN 20	DN 25
0 bar	15	18	20
100 bar	20	23	26
150 bar	25	30	40
250 bar	30	40	60

* Qualora si intercettino fluidi sgrassanti e/o contenenti particolato solido le coppie di manovra possono risultare maggiorate rispetto a quanto riportato in tabella.

** If not lubricated fluids and/or fluids containing solid particles are intercepted, torques could be higher than those in the table.*

I valori della coppia in Nm possono variare in funzione della temperatura del fluido. Considerare un fattore di sicurezza pari a 1,4. Con frequenti cicli di apertura e chiusura, la coppia di manovra può diminuire sensibilmente rispetto a quella iniziale.

Torque can vary depending on temperature and type of fluid, a safety factor 1,4 must be applied.

Torque can drop on high frequency of operation.

Il dimensionamento degli attuatori pneumatici è stato fatto considerando una pressione minima di alimentazione pari a 5,6 barg.

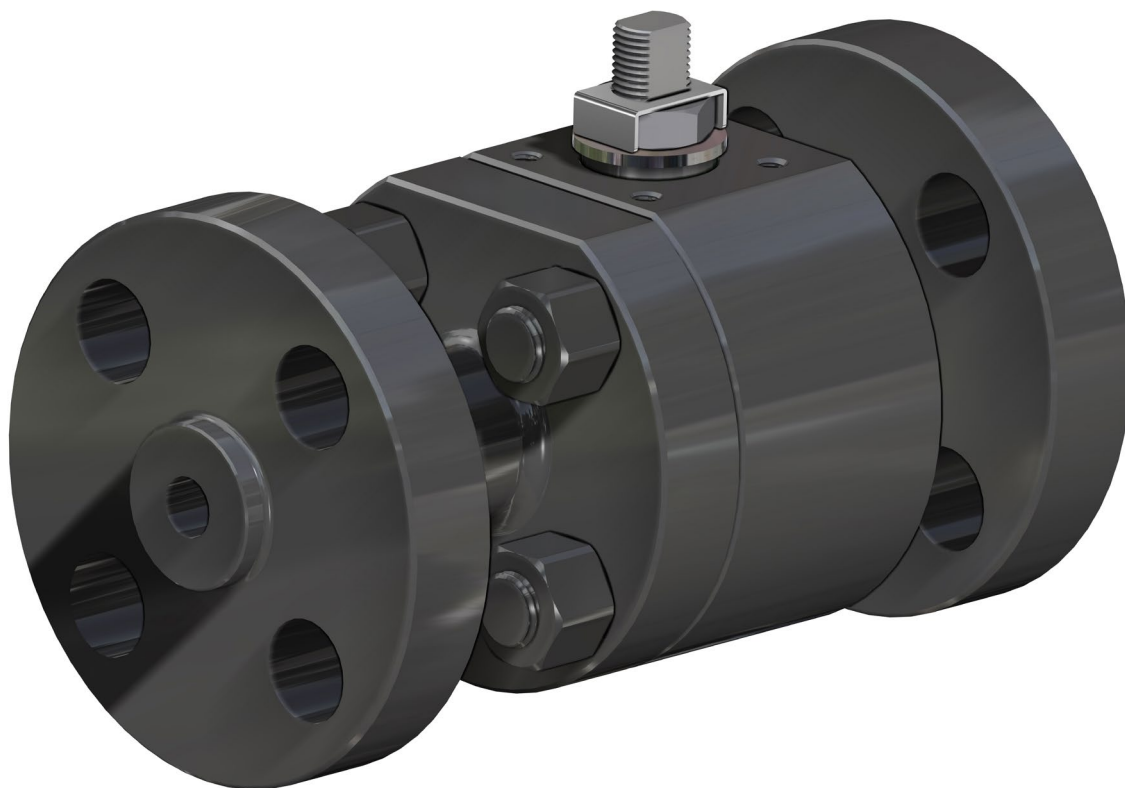
The sizing of pneumatic actuators has been done considering a minimum supply pressure of 5,6 barg.





THOR SPLIT BODY ANSI 900-1500

ACCIAIO AL CARBONIO CARBON STEEL



ESECUZIONE STANDARD

- Sfera flottante, passaggio totale.
- Tenuta soft-seat: DEVLON.
- Norme per flange d'attacco ASME B16.5.
- Scartamento: ANSI B16.10.
- Temperature di utilizzo vedi diagramma pressione temperatura.
- Classe di pressione: ANSI 900-1500.
- Classe di tenuta: EN12266-1 rate A.
- Fluido intercettato: prodotti petroliferi, fluidi autolubrificanti (liquidi e gassosi), purchè compatibili con i materiali costruttivi. Per fluidi non-autolubrificanti (acqua, ...) o altre applicazioni rivolgersi all'ufficio commerciale.
- Antistatic device EN12266-2.
- Tenuta stelo: pacco a V di serie in PTFE Modificato.
- Tenuta addizionale su stelo con O-ring FKM.
- Stelo anti Blow-out.
- Foratura piano per attuatore a norma ISO 5211.
- Angolo di chiusura >7°.
- Trattamento superficiale brunitura.

STANDARD FEATURES

- Floating ball, full bore.
- Soft-seat seal: DEVLON.
- Standard for connecting flanges: ASME B16.5.
- Face to face: ANSI B16.10.
- Operating temperature see temperature pressure diagram.
- Pressure class: ANSI 900-1500.
- Tightness Class: EN12266-1 rate A.
- Intercepted fluid: petrochemical products, self-lubricating fluids (liquid and gaseous), compatible with the constructive materials. For non-self-lubricating fluids (water, ...) or other applications, contact our sales department.
- Antistatic device EN12266-2.
- Stem seal: Modified PTFE V-pack.
- Additional seal on stem with FKM O-ring.
- Anti Blow-out stem.
- Actuator connection as per standard ISO 5211.
- Closing angle >7°.
- Superficial treatment: blueing.

ESECUZIONI A RICHIESTA

- Esecuzione per temperatura -40 C° in LF2, per altri tipi di flangiature contattare il nostro ufficio commerciale.
- Guarnizioni di tenuta in: PTFE caricato vetro (PTFE-GF), PTFE caricato carbografito (PTFE-CF). Per altri tipi di materiale contattare il nostro ufficio commerciale.
- Esecuzione monodirezionale con foro di compensazione della pressione nella sfera.
- Leva, dadi e molle stelo inox.
- Per esecuzioni speciali con materiali (corpo/sfera/stelo) diversi dallo standard contattare il nostro ufficio commerciale.
- Trattamento superficiale: zincatura bianca, verniciatura epossidica, (per altri trattamenti contattare il nostro ufficio commerciale).
- Marcatura e certificato ATEX A RICHIESTA.

FEATURES ON REQUEST

- LF2 carbon steel for low temperature execution (-40 C°). For other flange types please contact our sales department.
- Sealing in: PTFE reinforced with glass (PTFE-GF), PTFE reinforced with carbon-graphite (PTFE-CF). For other types of materials please contact our sales department.
- Mono-directional version with pressure-compensating hole in the ball.
- Stainless steel lever.
- For special versions in materials different from the standard (body, ball, stem), please contact our sales department.
- Stainless steel Stem nuts and springs.
- Superficial treatment: white zinc coating, epoxy coating. For other coating please contact our sales department.
- ATEX marking and certificate ON REQUEST.

CERTIFICAZIONI

- Conforme alla direttiva Europea 2014/68/UE PED; TA-LUFT VDI 2440; FIRE SAFE: ISO 10497 Third ed. 2010 / API 607 Sixth ed. 2010.
- Livello di sicurezza funzionale fino a SIL 3 in accordo a IEC 61508.
- Fugitive Emission ISO15848-1 ISO FE BH-C03-SSA0 t (-34°C,+150°C).
- Conforme alla direttiva ATEX 2014/34/UE, certificato ATEX A RICHIESTA.

CERTIFICATIONS

- In compliance with European Directive 2014/68/EU PED; TA-LUFT VDI 2440; FIRE SAFE: ISO 10497 Third ed. 2010 / API 607 Sixth ed. 2010.
- Safety integrity level up to SIL 3 according to the IEC 61508.
- Fugitive Emission ISO15848-1 ISO FE BH-C03-SSA0 t (-34°C,+150°C).
- In compliance with ATEX 2014/34/EU Directive, ATEX certificate ON REQUEST.

NORME DI PROGETTAZIONE

- API 6D (A RICHIESTA).
- Spessori corpo in accordo a: ASME B16.34, ASME VIII div.1, EN 12516.
- Materiali e rating in accordo ad ASME B16.34.

ENGINEERING STANDARD

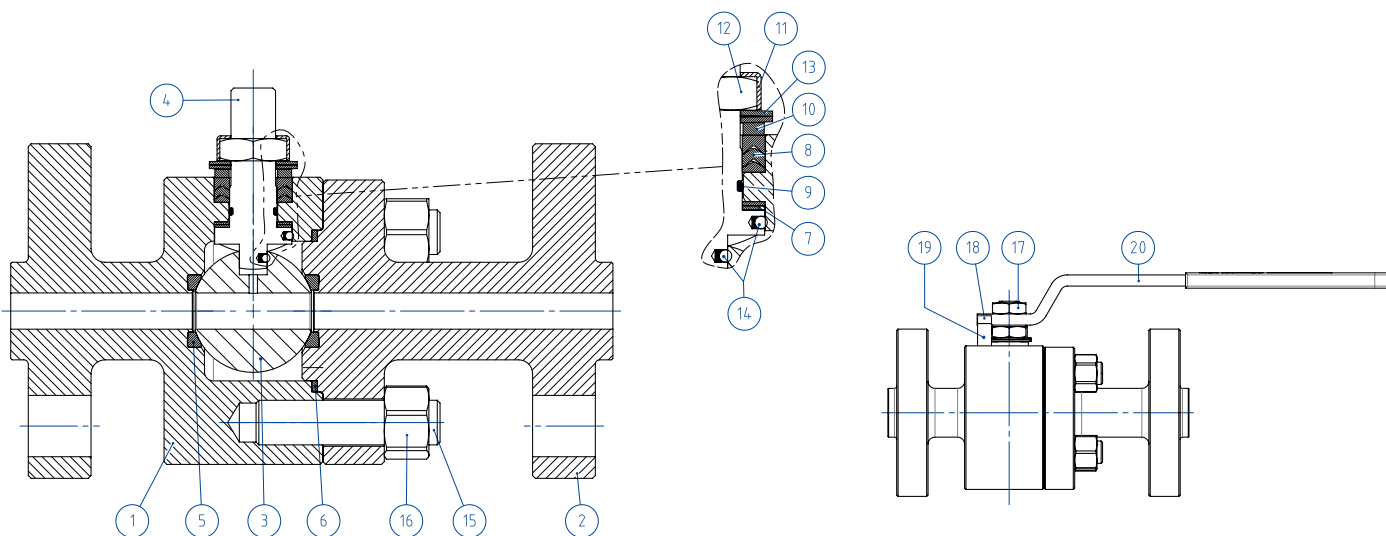
- API 6D (ON REQUEST).
- Body thickness in compliance with: ASME B16.34, ASME VIII div.1, EN 12516.
- Materials and rating in compliance with ASME B16.34.



THOR SPLIT BODY - ANSI 900-1500

ACCIAIO AL CARBONIO CARBON STEEL

TABELLA DEI MATERIALI MATERIALS TABLE



MATERIALI MATERIALS

SPLIT BODY ANSI 900-1500 acciaio al carbonio carbon steel

N°	Descrizione Description	A105 Carbon steel	A350 LF2 Carbon steel
1	Corpo Body	ASTM A105	ASTM A350 LF2
2	Terminale Connector		
3	Sfera Ball	ASTM A351 CF8M (1.4408/Gx5CrNiMo19-12-2) (*)	
4	Stelo Stem	A564 TP.630 (17-4PH)	
5*	Seggio Seat	DEVLON (.)	
6*	Guarnizione corpo-terminale Body-connector gasket	GRAFOIL	
7*	Tenuta inferiore stelo Stem lower sealing	DEVLON (.)	
8*	Pacco a V Chevron rings	PTFE Modificato Modified PTFE (.)	
9*	O-ring stelo Stem o-ring	FKM (.)	
10	Anello premiguarnizione Packing gland ring	Acciaio al carbonio zincato Carbon steel galvanized (x)	
11	Piastra blocca dado Stop nut plate	304 S.S.	
12	Dado stelo Stem nut	Acciaio al carbonio zincato Carbon steel galvanized (xx)	
13	Molle a tazza Springs washer	Acciaio al carbonio zincato Carbon steel galvanized (xx)	
14	Dispositivo antistatico Antistatic device	316 S.S.	
15	Tiranti Stud bolt	ASTM A193-B7	ASTM A320-L7M
16	Dadi Nut	ASTM A194-Gr.2H	ASTM A194-Gr.7M
17	Controdado Lock nut	Acciaio al carbonio zincato Carbon steel galvanized (x)	
18	Vite di fermo Holder screw	A2-70 (304 S.S.)	
19	Fermo di posizione Holder screw	Acciaio al carbonio zincato Carbon steel galvanized (x)	
20	Leva Lever	Fe37 zincato - Galvanized (x)	

* Componenti del kit di guarnizioni Components of seals kit

A richiesta disponibile in: Available on request:

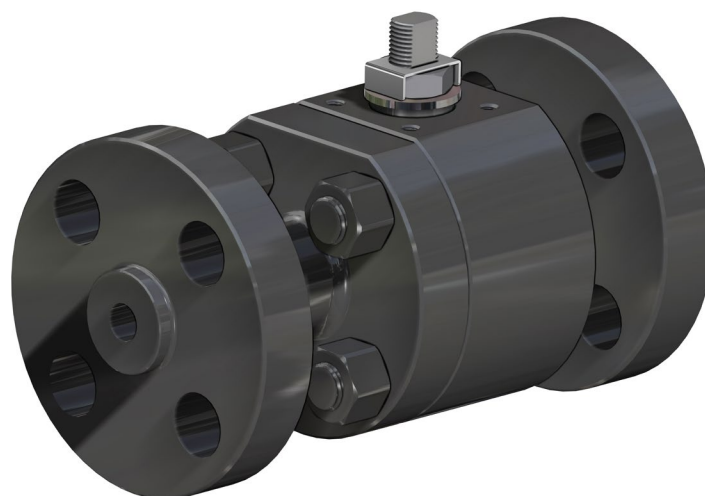
Per DN15 disponibile solo in 316 S.S.

For DN15 available only in 316 S.S.

(x): 304 s.s.

(xx): 301 s.s.

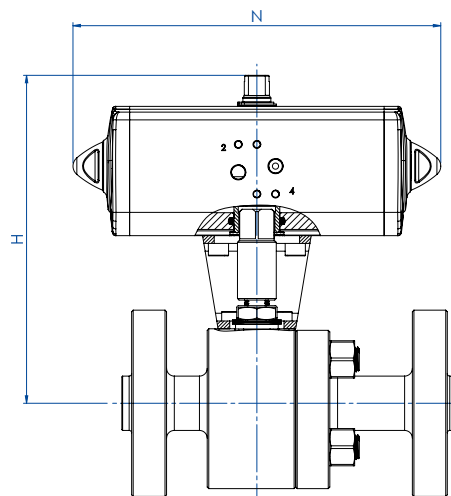
(.): Altri materiali disponibili a richiesta Other materials available on request

**THOR SPLIT BODY - ANSI 900-1500****ACCIAIO AL CARBONIO CARBON STEEL****ASSE LIBERO E CON LEVA FREE SHAFT AND WITH LEVER****CODICI VALVOLE ASSE LIBERO (V_) E CON LEVA (L_) IN ACCIAIO AL CARBONIO
CARBON STEEL BARE SHAFT (V_) AND LEVER (L_) OPERATED VALVE CODE**

MISURA SIZE		ANSI	A105 Carbon steel	LF2 Carbon steel
DN [mm]	[inch]			
DN 15	1/2"	ANSI 900-1500	V/LT104904CAE0AGMRV00B	V/LT104904CBE0AIMRV00B
DN 20	3/4"	ANSI 900-1500	V/LT105904CAA0AGMRV00B	V/LT105904CBA0AIMRV00B
DN 25	1"	ANSI 900-1500	V/LT106904CAA0AGMRV00B	V/LT106904CBA0AIMRV00B



THOR SPLIT BODY - ANSI 900-1500 ACCIAIO AL CARBONIO CARBON STEEL CON ATTUATORE PNEUMATICO DA WITH DA PNEUMATIC ACTUATOR



CODICI ARTICOLI IN A105 ACCIAIO AL CARBONIO ITEM CODES IN A105 CARBON STEEL

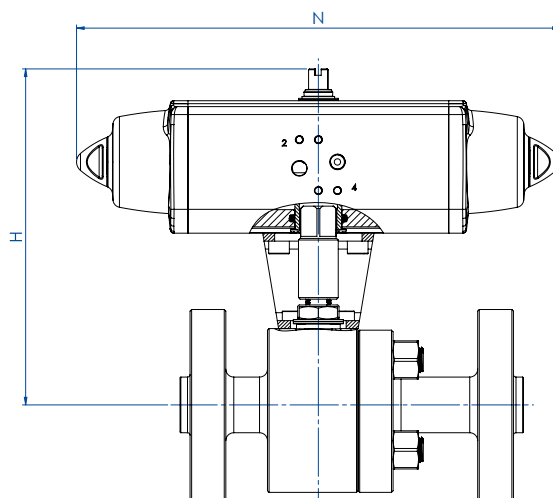
MISURA SIZE		ANSI	CODICE ARTICOLO ITEM CODE	ATTUATORE ACTUATOR	KIT di montaggio Mounting KIT	N [mm]	H [mm]	Peso Kg Weight Kg
DN [mm]	[inch]							
DN 15	1/2"	ANSI 900-1500	DT104904CAE0AGMRV00BAFDA0	DAN0045412S	KCNCCHD5394	174,2	187,2	11,6
DN 20	3/4"	ANSI 900-1500	DT105904CAA0AGMRV00BAFEA0	DAN0060412S	KCNCCHD5395	188,5	198,4	14,1
DN 25	1"	ANSI 900-1500	DT106904CAA0AGMRV00BAFGA0	DAN0106411S	KCNCCHD5396	198,0	211,3	17,2

CODICI ARTICOLI IN LF2 ACCIAIO AL CARBONIO ITEM CODES IN LF2 CARBON STEEL

MISURA SIZE		ANSI	CODICE ARTICOLO ITEM CODE	ATTUATORE ACTUATOR	KIT di montaggio Mounting KIT	N [mm]	H [mm]	Peso Kg Weight Kg
DN [mm]	[inch]							
DN 15	1/2"	ANSI 900-1500	DT104904CBE0AIMRV00BAFDA0	DAN0045412S	KCNCCHD5394	174,2	187,2	11,6
DN 20	3/4"	ANSI 900-1500	DT105904CBA0AIMRV00BAFEA0	DAN0060412S	KCNCCHD5395	188,5	198,4	14,1
DN 25	1"	ANSI 900-1500	DT106904CBA0AIMRV00BAFGA0	DAN0106411S	KCNCCHD5396	198,0	211,3	17,2



THOR SPLIT BODY - ANSI 900-1500
ACCIAIO AL CARBONIO CARBON STEEL
CON ATTUATORE PNEUMATICO SR WITH SR PNEUMATIC ACTUATOR



CODICI ARTICOLI IN A105 ACCIAIO AL CARBONIO ITEM CODES IN A105 CARBON STEEL

MISURA SIZE		ANSI	CODICE ARTICOLO ITEM CODE	ATTUATORE ACTUATOR	KIT di montaggio Mounting KIT	N [mm]	H [mm]	Peso Kg Weight Kg
DN [mm]	[inch]							
DN 15	1/2"	ANSI 900-1500	ST104904CAE0AGMRV00BAFGA0	SRN0053401S	KCNCCHD5396	304,2	211,3	13,5
DN 20	3/4"	ANSI 900-1500	ST105904CAA0AGMRV00BAFHA0	SRN0060401S	KCNCCHD5396	338,5	215,0	15,8
DN 25	1"	ANSI 900-1500	ST106904CAA0AGMRV00BAFIA0	SRN0090401S	KCNCCHD5397	393,7	245,5	20,9

CODICI ARTICOLI IN LF2 ACCIAIO AL CARBONIO ITEM CODES IN LF2 CARBON STEEL

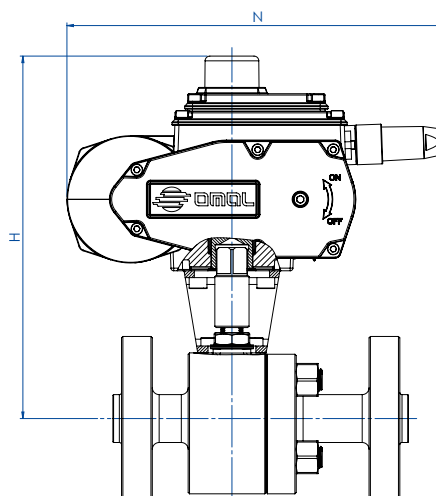
MISURA SIZE		ANSI	CODICE ARTICOLO ITEM CODE	ATTUATORE ACTUATOR	KIT di montaggio Mounting KIT	N [mm]	H [mm]	Peso Kg Weight Kg
DN [mm]	[inch]							
DN 15	1/2"	ANSI 900-1500	ST104904CBE0AIMRV00BAFGA0	SRN0053401S	KCNCCHD5396	304,2	211,3	13,5
DN 20	3/4"	ANSI 900-1500	ST105904CBA0AIMRV00BAFHA0	SRN0060401S	KCNCCHD5396	338,5	215,0	15,8
DN 25	1"	ANSI 900-1500	ST106904CBA0AIMRV00BAFIA0	SRN0090401S	KCNCCHD5397	393,7	245,5	20,9



THOR SPLIT BODY - ANSI 900-1500

ACCIAIO AL CARBONIO CARBON STEEL

CON ATTUATORE ELETTRICO WITH ELECTRIC ACTUATOR



CODICI ARTICOLI IN A105 ACCIAIO AL CARBONIO ITEM CODES IN A105 CARBON STEEL

MISURA SIZE		ANSI	CODICE ARTICOLO ITEM CODE	ATTUATORE ACTUATOR	KIT di montaggio Mounting KIT	N [mm]	H [mm]	Peso Kg Weight Kg
DN [mm]	[inch]							
DN 15	1/2"	ANSI 900-1500	ET104904CAE0AGMRV00BAMGG0	EA0070A5C000	KCNCCHD5395	250,0	245,0	14,3
DN 20	3/4"	ANSI 900-1500	ET105904CAA0AGMRV00BAMGG0	EA0070A5C000	KCNCCHD5395	250,0	245,0	16,3
DN 25	1"	ANSI 900-1500	ET106904CAA0AGMRV00BAMIG0	EA0130A5C000	KCNCCHD5396	280,0	265,5	21,9

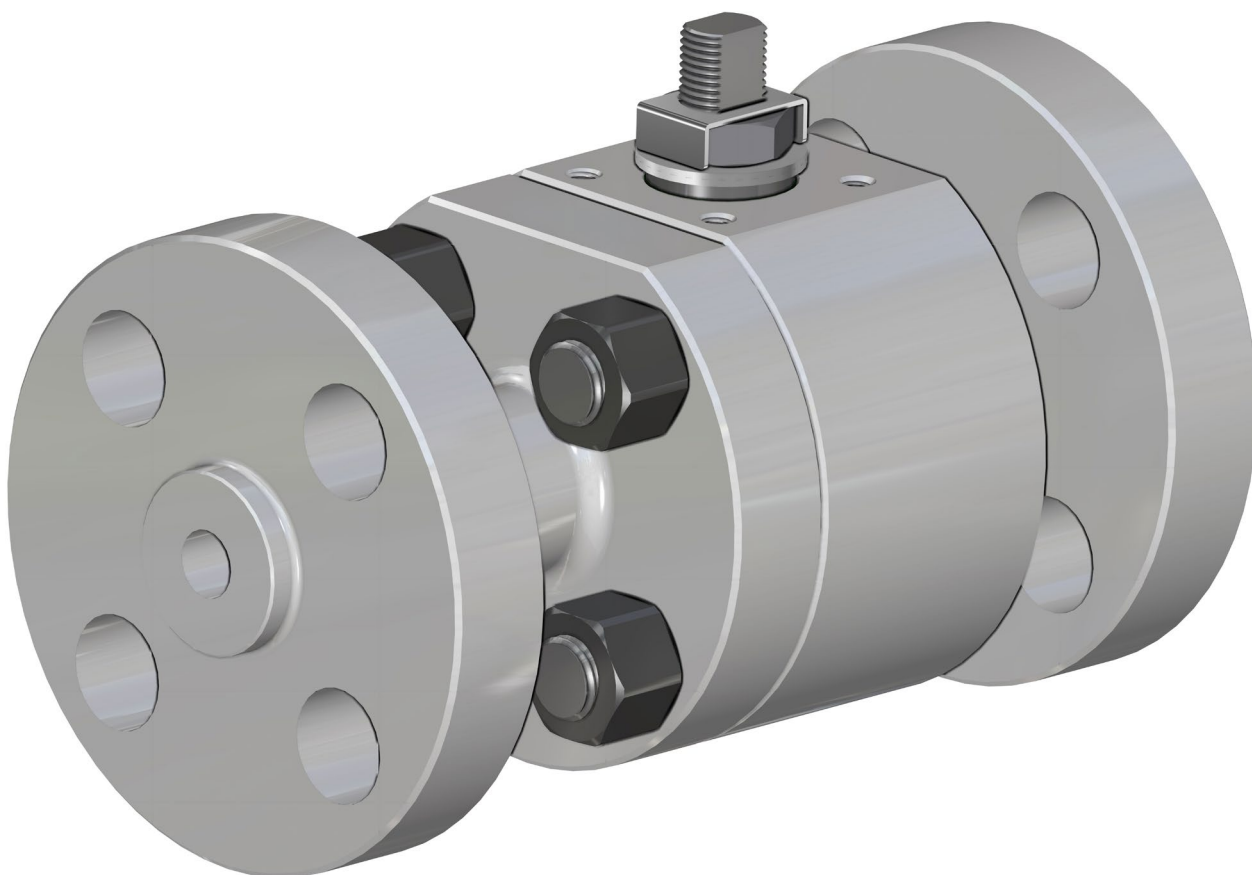
CODICI ARTICOLI IN LF2 ACCIAIO AL CARBONIO ITEM CODES IN LF2 CARBON STEEL

MISURA SIZE		ANSI	CODICE ARTICOLO ITEM CODE	ATTUATORE ACTUATOR	KIT di montaggio Mounting KIT	N [mm]	H [mm]	Peso Kg Weight Kg
DN [mm]	[inch]							
DN 15	1/2"	ANSI 900-1500	ET104904CBE0AIMRV00BAMGG0	EA0070A5C000	KCNCCHD5395	250,0	245,0	14,3
DN 20	3/4"	ANSI 900-1500	ET105904CBA0AIMRV00BAMGG0	EA0070A5C000	KCNCCHD5395	250,0	245,0	16,3
DN 25	1"	ANSI 900-1500	ET106904CBA0AIMRV00BAMIG0	EA0130A5C000	KCNCCHD5396	280,0	265,5	21,9



THOR SPLIT BODY ANSI 900-1500

ACCIAIO INOX *STAINLESS STEEL*



ESECUZIONE STANDARD

- Sfera flottante, passaggio totale.
- Tenuta soft-seat: DEVLON.
- Norme per flange d'attacco ASME B16.5.
- Temperature di utilizzo vedi diagramma pressione temperatura.
- Classe di pressione: ANSI 900-1500.
- Classe di tenuta: EN12266-1 rate A.
- Fluido intercettato: prodotti petroliferi, fluidi autolubrificanti (liquidi e gassosi), purchè compatibili con i materiali costruttivi. Per fluidi non-autolubrificanti (acqua, ...) o altre applicazioni rivolgersi all'ufficio commerciale.
- Antistatic device EN12266-2.
- Tenuta stelo: pacco a V di serie in PTFE Modificato.
- Tenuta addizionale su stelo con O-ring FKM.
- Stelo anti Blow-out.
- Foratura piano per attuatore a norma ISO 5211.
- Angolo di chiusura >7°.

STANDARD FEATURES

- Floating ball, full bore.
- Soft-seat seal: DEVLON.
- Standard for connecting flanges: ASME B16.5.
- Operating temperature see temperature pressure diagram.
- Pressure class: ANSI 900-1500.
- Tightness Class: EN12266-1 rate A.
- Intercepted fluid: petrochemical products, self-lubricating fluids (liquid and gaseous), compatible with the constructive materials. For non-self-lubricating fluids (water, ...) or other applications, contact our sales department.
- Antistatic device EN12266-2.
- Stem seal: Modified PTFE V-pack.
- Additional seal on stem with FKM O-ring.
- Anti Blow-out stem.
- Actuator connection as per standard ISO 5211.
- Closing angle >7°.

ESECUZIONI A RICHIESTA

- Per altri tipi di flangiature contattare il nostro ufficio commerciale.
- Guarnizioni di tenuta in: PTFE caricato vetro (PTFE-GF), PTFE caricato carbografito (PTFE-CF). Per altri tipi di materiale contattare il nostro ufficio commerciale.
- Esecuzione monodirezionale con foro di compensazione della pressione nella sfera.
- Leva inox.
- Dadi e molle stelo inox.
- Per esecuzioni speciali con materiali (corpo/sfera/stelo) diversi dallo standard contattare il nostro ufficio commerciale.
- Marcatura e certificazione ATEX A RICHIESTA.

FEATURES ON REQUEST

- For other flange types please contact our sales department.
- Sealing in: PTFE reinforced with glass (PTFE-GF), PTFE reinforced with carbon-graphite (PTFE-CF). For other types of materials please contact our sales department.
- Mono-directional version with pressure-compensating hole in the ball.
- Stainless steel lever.
- Stainless steel Stem nuts and springs.
- For special versions in materials different from the standard (body, ball, stem), please contact our sales department.
- ATEX marking and certificate ON REQUEST.

CERTIFICAZIONI

- Conforme alla direttiva Europea 2014/68/EU PED; TA-LUFT VDI 2440; FIRE SAFE: ISO 10497 Third ed. 2010 / API 607 Sixth ed. 2010.
- Livello di sicurezza funzionale fino a SIL 3 in accordo a IEC 61508.
- Fugitive Emission ISO15848-1 ISO FE BH-C03-SSA0 t (-34°C,+150°C).
- Conforme alla direttiva ATEX 2014/34/EU, certificato ATEX A RICHIESTA.

CERTIFICATIONS

- In compliance with European Directive 2014/68/EU PED; TA-LUFT VDI 2440; FIRE SAFE: ISO 10497 Third ed. 2010 / API 607 Sixth ed. 2010.
- Safety integrity level up to SIL 3 according to the IEC 61508.
- Fugitive Emission ISO15848-1 ISO FE BH-C03-SSA0 t (-34°C,+150°C).
- In compliance with ATEX 2014/34/EU Directive, ATEX certificate ON REQUEST.

NORME DI PROGETTAZIONE

- API 6D (A RICHIESTA).
- Spessori corpo in accordo a: ASME B16.34, ASME VIII div.1, EN 12516.
- Materiali e rating in accordo ad ASME B16.34 per valvole ANSI ed EN 12516 per valvole PN.

ENGINEERING STANDARD

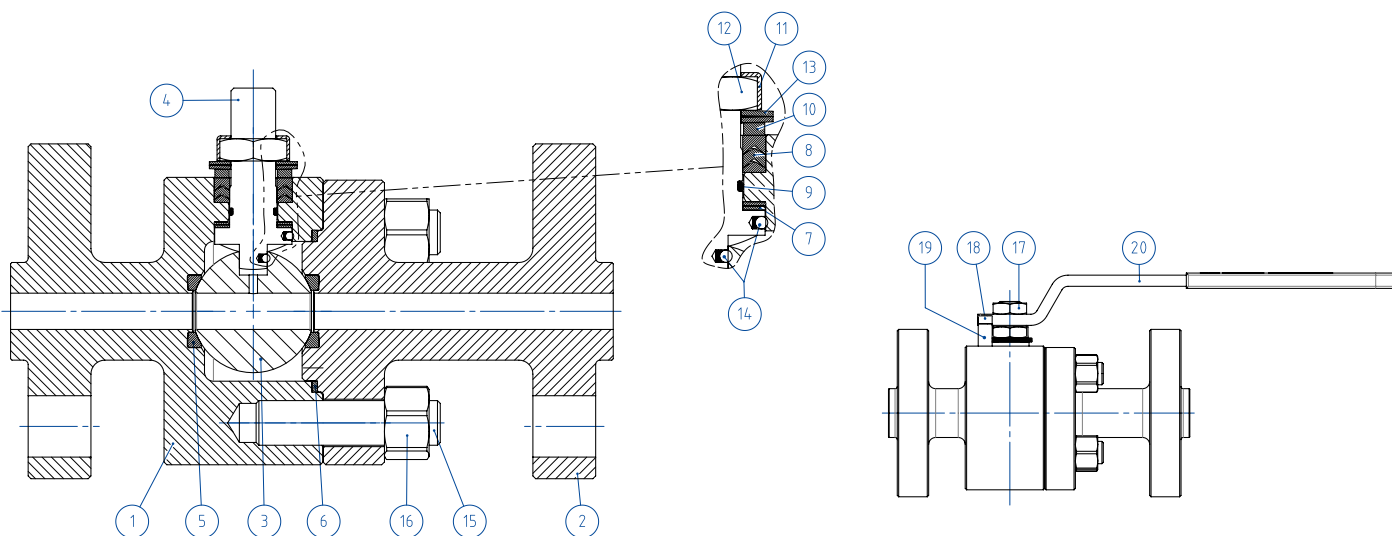
- API 6D (ON REQUEST).
- Body thickness in compliance with: ASME B16.34, ASME VIII div.1, EN 12516.
- Materials and rating in compliance with ASME B16.34.



THOR SPLIT BODY - ANSI 900-1500

ACCIAIO INOX STAINLESS STEEL

TABELLA DEI MATERIALI MATERIALS TABLE



MATERIALI MATERIALS ANSI 900-1500 DA BARRA FROM BAR		
N°	Descrizione Description	316 Stainless steel
1	Corpo Body	ASTM A 182 F316 / A479TP316 (1.4401 / X5CrNiMo 17-12-2)
2	Terminale Connector	
3	Sfera Ball	ASTM A351 CF8M (*) (1.4408/Gx5CrNiMo19-12-2)
4	Stelo Stem	A564 TP.630 (17-4PH)
5*	Seggio Seat	DEVLON (.)
6*	Guarnizione corpo terminale Body-Connector gasket	GRAFOIL
7*	Tenuta inferiore stelo Stem lower sealing	DEVLON (.)
8*	Guarnizioni tipo Chevron Chevron seals	PTFE Modificato Modified PTFE (.)
9*	O-ring stelo Stem o-ring	FKM (.)
10	Anello premi guarnizione Packing gland ring	304 S.S.
11	Piastra blocca dado Stop nut plate	304 S.S.
12	Dado stelo Stem nut	Acciaio al carbonio zincato Carbon steel galvanized (x)
13	Molle a tazza Springs washer	Acciaio al carbonio zincato Carbon steel galvanized (xx)
14	Dispositivo antistatico Antistatic device	316 S.S.
15	Tiranti Stud bolt	ASTM A193-B8
16	Dadi Nut	ASTM A194-Gr.8
17	Controdado Lock nut	Acciaio al carbonio zincato Carbon steel galvanized
18	Vite di fermo Holder screw	A2-70 (304 S.S.)
19	Fermo di posizione Holder screw	Acciaio al carbonio zincato Carbon steel galvanized (x)
20	Leva Lever	Fe37 zincato-galvanized (x)

* Componenti del kit di guarnizioni. Components of seals kit.

A richiesta disponibile in: Available on request:

(*) Per DN15 disponibile solo in 316 S.S. (*) For DN15 available only in 316 S.S.

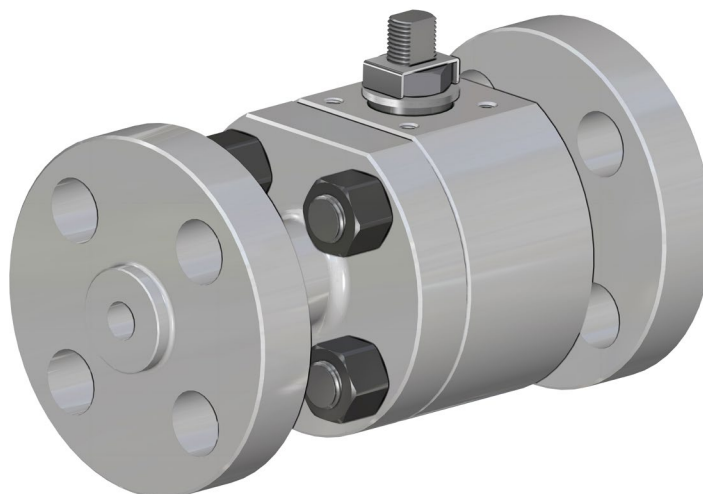
(x): 304 s.s.

(xx): 301 s.s.

(.): Altri materiali disponibili a richiesta Other materials available on request



THOR SPLIT BODY - ANSI 900-1500
ACCIAIO INOX STAINLESS STEEL
ASSE LIBERO E CON LEVA FREE SHAFT AND WITH LEVER

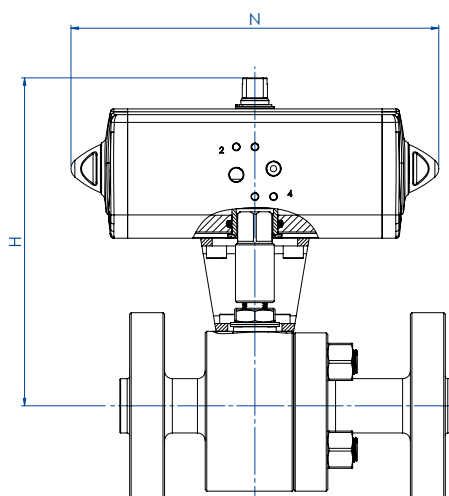
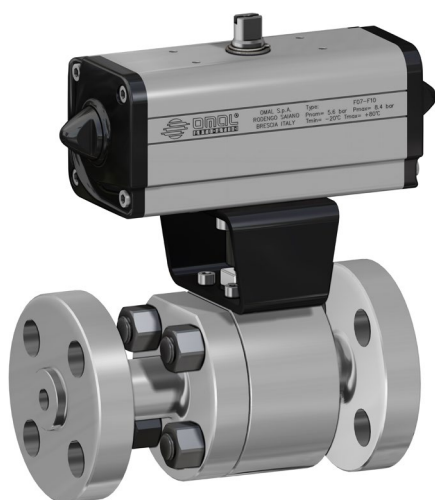


CODICI VALVOLE ASSE LIBERO (V_) E CON LEVA (L_) IN ACCIAIO INOX
STAINLESS STEEL BARE SHAFT (V_) AND LEVER (L_) OPERATED VALVE CODE

MISURA SIZE		ANSI	316 Stainless steel
DN [mm]	[inch]		
DN 15	1/2"	ANSI 900-1500	V/LT104904ABE0AEMRV000
DN 20	3/4"	ANSI 900-1500	V/LT105904ABA0AEMRV000
DN 25	1"	ANSI 900-1500	V/LT106904ABA0AEMRV000

DN40 e DN50 ANSI900-1500 disponibile a magazzino, contattare ufficio commerciale per verifica condizioni operative.
 DN40 and DN50 ANSI900-1500 on stock, check with our sales department for operating conditions.

THOR SPLIT BODY - ANSI 900-1500
ACCIAIO INOX STAINLESS STEEL
CON ATTUATORE PNEUMATICO DA WITH DA PNEUMATIC ACTUATOR

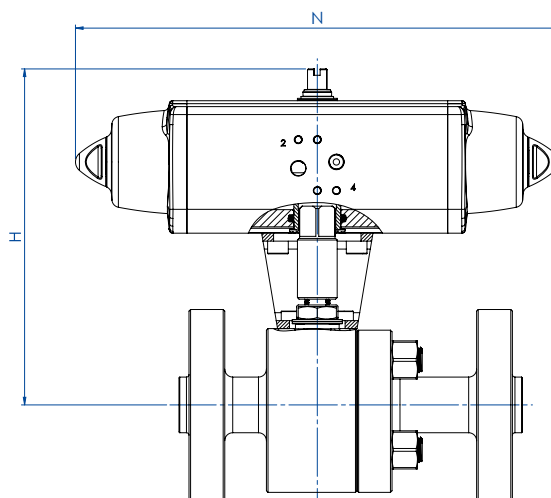
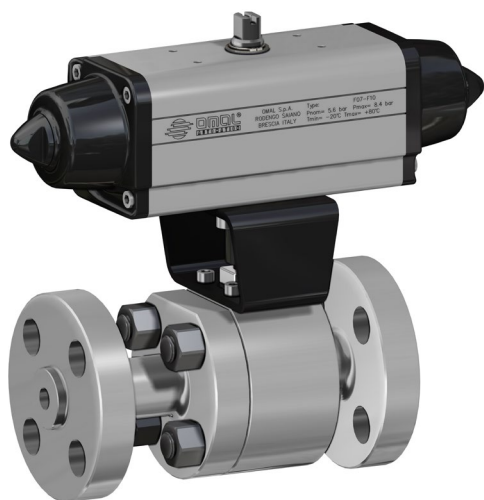


CODICI ARTICOLI IN 316 ACCIAIO INOX ITEM CODES IN 316 STAINLESS STEEL

MISURA SIZE		ANSI	CODICE ARTICOLO -316- ITEM CODE -316-	ATTUATORE ACTUATOR	KIT di montaggio Mounting KIT	N [mm]	H [mm]	Peso Kg Weight Kg
DN [mm]	[inch]							
DN 15	1/2"	ANSI 900-1500	DT104904ABE0AEMRV000AFDA0	DAN0045412S	KCNCCHD5394	174,2	187,2	11,6
DN 20	3/4"	ANSI 900-1500	DT105904ABA0AEMRV000AFEAO	DAN0060412S	KCNCCHD5395	188,5	198,4	14,1
DN 25	1"	ANSI 900-1500	DT106904ABA0AEMRV000AFGA0	DAN0106411S	KCNCCHD5396	198,0	211,3	17,2

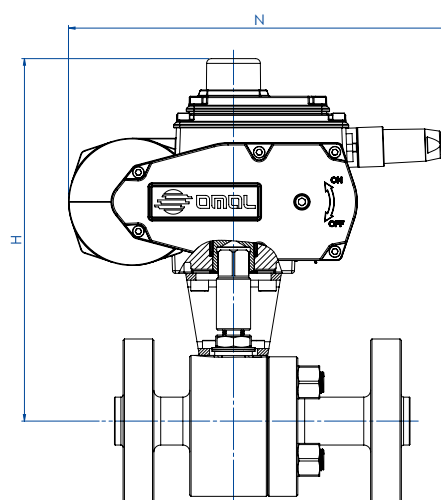
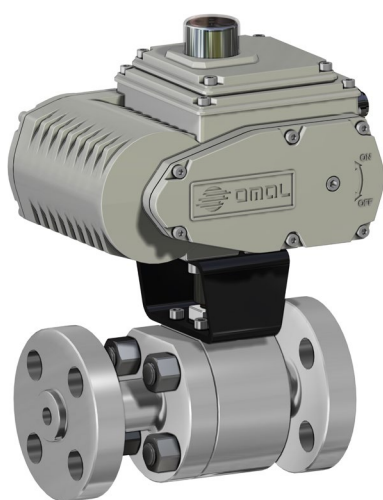


THOR SPLIT BODY - ANSI 900-1500 ACCIAIO INOX STAINLESS STEEL CON ATTUATORE PNEUMATICO SR WITH SR PNEUMATIC ACTUATOR



MISURA SIZE		ANSI	CODICE ARTICOLO -316- ITEM CODE -316-	ATTUATORE ACTUATOR	KIT di montaggio Mounting KIT	N [mm]	H [mm]	Peso Kg Weight Kg
DN [mm]	[inch]							
DN 15	1/2"	ANSI 900-1500	ST104904ABE0AEMRV000AFGA0	SRN0053401S	KCNCCHD5396	304,2	211,3	13,5
DN 20	3/4"	ANSI 900-1500	ST105904ABA0AEMRV000AFHA0	SRN0060401S	KCNCCHD5396	338,5	215,0	15,8
DN 25	1"	ANSI 900-1500	ST106904ABA0AEMRV000AFIA0	SRN0090401S	KCNCCHD5397	393,7	245,5	20,9

THOR SPLIT BODY - ANSI 900-1500 ACCIAIO INOX STAINLESS STEEL CON ATTUATORE ELETTRICO WITH ELECTRIC ACTUATOR



MISURA SIZE		ANSI	CODICE ARTICOLO -316- ITEM CODE -316-	ATTUATORE ACTUATOR	KIT di montaggio Mounting KIT	N [mm]	H [mm]	Peso Kg Weight Kg
DN [mm]	[inch]							
DN 15	1/2"	ANSI 900-1500	ET104904ABE0AEMRV000AMGG0	EA0070A5C000	KCNCCHD5395	250,0	245,0	14,3
DN 20	3/4"	ANSI 900-1500	ET105904ABA0AEMRV000AMGG0	EA0070A5C000	KCNCCHD5395	250,0	245,0	16,3
DN 25	1"	ANSI 900-1500	ET106904ABA0AEMRV000AMIG0	EA0130A5C000	KCNCCHD5396	280,0	265,5	21,9

Articoli disponibili anche con attuatore modulante Items available also with modulating actuator



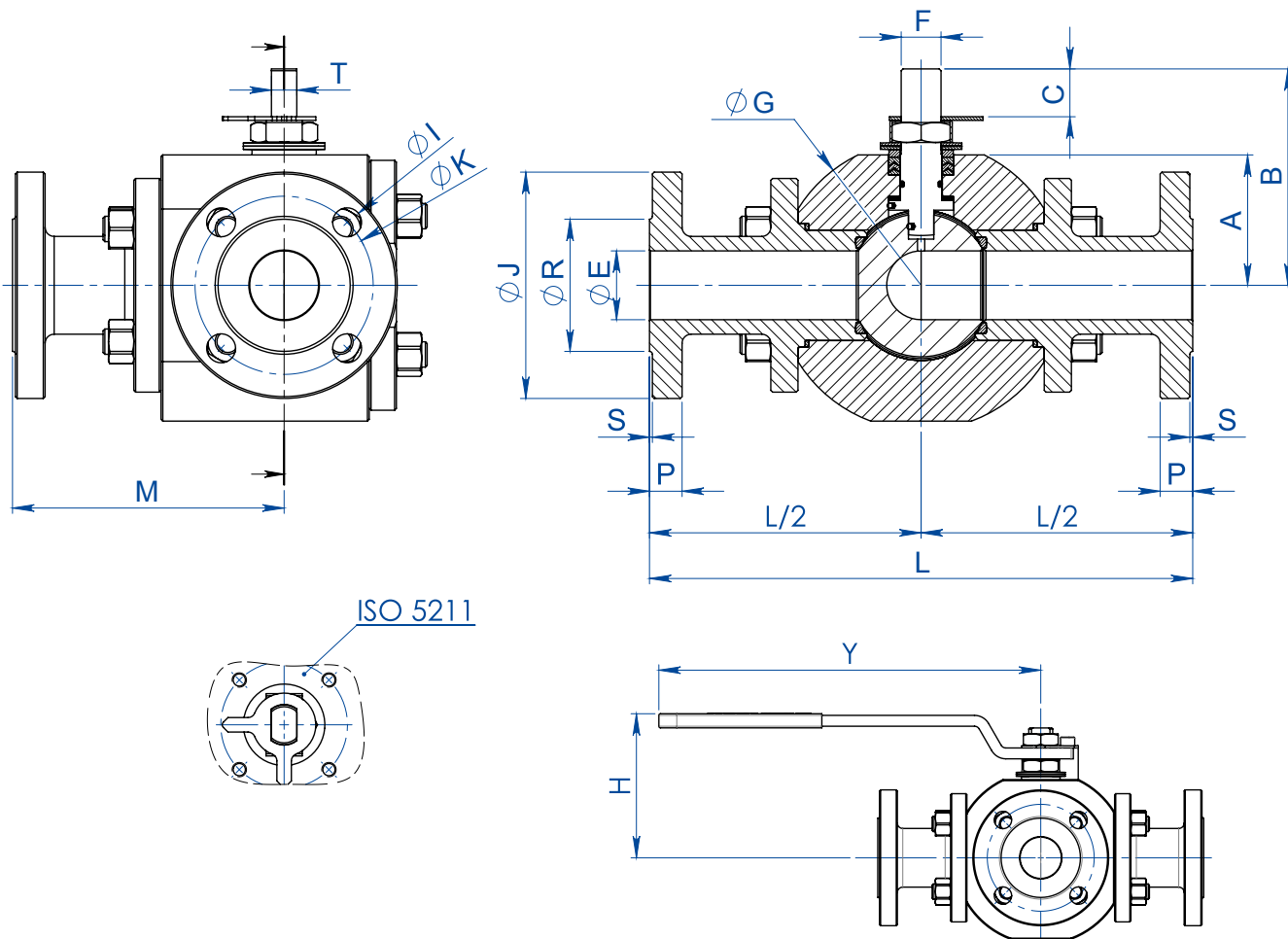
FEATURES & BENEFITS

1	Antistatic device (continuità elettrica tra sfera, stelo e corpo) <i>Antistatic device ((electrical continuity between ball, stem and body)</i>	Si evitano cariche elettrostatiche che potrebbero essere causa d'innescio in ambienti infiammabili e/o esplosivi <i>Static electricity is avoided which can cause sparks and fire in an inflammable/explosive environment</i>
		Sicurezza garantita del contatto durante tutta la vita della valvola <i>Contact safety throughout the entire life of the valve</i>
2	Doppio anello antifrizione <i>Double antifriction washer</i>	Garantisce una minor coppia di azionamento della valvola <i>Less Breakaway Torque is granted</i>
		Minor usura rispetto all'esecuzione con singolo anello <i>Less wear comparing with the execution with the single washer</i>
3	Pacco guarnizioni a "V" con 3 guarnizioni più o-ring <i>"V" seals pack; 3 seals + o-ring</i>	Si garantisce una perfetta tenuta anche dopo un numero elevato di cicli <i>It ensures a perfect tightness even after a high number of cycles</i>
4	Molle a tazza sulla tenuta dello stelo <i>Spring washer on the shaft seal</i>	Garantiscono il recupero dei giochi dovuti all'usura causata dal movimento semiorbitario dell'albero evitando perdite verso l'esterno <i>Guarantee of the recovery of the gap due to the wear caused by the rotational movement of the shaft avoiding leakage towards the outside part.</i>
		Consentono di mantenere energizzate le guarnizioni tipo "chevron" (a V), evitando perdite verso l'esterno, a fronte di notevoli escursioni termiche <i>Allow to maintain energized the "chevron" seals (V), thus avoiding any leakage to the outside, against huge temperature excursions</i>
5	Tenuta elasticizzata in grafite <i>Stretch Graphite seal</i>	Garantisce una tenuta verso l'esterno indipendentemente dalle escursioni termiche a cui è sottoposta la valvola <i>Tightness towards outside is granted, independently by the thermal excursions to which the valve is subjected</i>
	Maggiore precisione nell'allineamento degli assi grazie alla lavorazione dal grezzo al finito con un unico posizionamento <i>Greater precision in the alignment of axes due to a unique positioning in the process machining from raw material to finished valve</i>	Maggior vita della valvola stessa <i>Longer lifetime of the valve</i>
		Minor coppia di azionamento <i>Less breakaway torque</i>
	Facile manutenibilità direttamente sull'impianto <i>Easy maintainance directly on site</i>	Contenimento dei costi durante la fase di manutenzione <i>Reduced maintainance costs</i>
	Corpo valvola in acciaio al carbonio realizzato con materiale normalizzato certificato NACE in esecuzione standard <i>Valve body in carbon steel made with NACE certified material as standard</i>	Garantisce una maggior resistenza alla corrosione <i>Greater corrosion resistance</i>
		Maggior duttilità del materiale <i>Greater ductility of the material</i>
	Processo produttivo interamente eseguito in OMAL <i>100% in- house manufacturing process technology</i>	Massimo controllo in tutte le fasi di lavorazione <i>Maximum control and accuracy in all the stages of the manufacturing process</i>
		Possibilità di fornire rapidamente esecuzioni speciali richieste dal cliente <i>Flexibility in supply quickly special executions requested by customers</i>
	Certificato ATEX <i>ATEX Certificate</i>	Ne consente l'installazione in presenza di ambiente potenzialmente esplosivo <i>Installation is possible in a potential explosive environment</i>
	Certificazione "TA LUFT fugitive emission" <i>TA LUFT fugitive emission Certificate</i>	Garantisce un elevato grado di sicurezza della tenuta stelo verso l'esterno <i>High level of safety of the tightness towards the outside is granted</i>
	Certificato PED <i>PED Certificate</i>	Piena conformità alle norme di sicurezza europee per i dispositivi in pressione <i>Full compliance with European Safety Standards for Pressure Equipment</i>



THOR SPLIT BODY 3 WAY 4 SEALS

PN 16-40 ANSI 150



MISURA SIZE		DIMENSIONI DIMENSIONS -PN-																					
DN [mm]	SIZE [inch]	PN	ØE	L	M	A	B	C	ATT. ISO	F/T	ØG	ØJ	ØR	S	P	ØK	N° FORI	ØI	H	Y	Kg	KIT LEVA LEVER KIT	KIT GUARNIZIONI SEALS KIT
DN 15	1/2"	16-40	13	170	85	35	55	9,2	F03	10/6	84	95	45	2	16	65	4	14	74	140	5,8	KLV58004	KGBV462040
DN 20	3/4"	16-40	19	200	100	45	71	13	F04	12/8	105	105	58	2	18	75	4	14	90,5	150	10,2	KLV58006	KGBV462050
DN 25	1"	16-40	25	230	115	55,5	90,5	19,1	F05	16/10	128	115	68	2	18	85	4	14	107	275	16,4	KLV58008	KGBV462060
DN 32	1 1/4"	16-40	32	240	120	60	95	19,1	F05	16/10	135	140	78	2	18	100	4	18	111,3	275	19,1	KLV58008	KGBV462070
DN 40	1 1/2"	16-40	38	300	150	72	119,5	26,4	F07	22/14	160	150	88	3	18	110	4	18	134,5	350	27,6	KLV58010	KGBV462080
DN 50	2"	16-40	51	320	160	81	128,5	26,4	F07	22/14	178	165	102	3	20	125	4	18	143,5	350	39,2	KLV58010	KGBV462090
DN 65	2 1/2"	16	64	350	175	93	154	33,1	F10	30/18	205	185	122	3	18	145	4	18	182,3	450	57,3	KLV58012	KGBV462100
DN 80	3"	16	76	370	185	101	162	33,1	F10	30/18	220	200	138	3	24	160	8	18	190,3	450	71,2	KLV58012	KGBV462110
DN 100	4"	16	102	400	200	124	182	33,1	F10	30/18	270	220	158	3	20	180	8	18	210,5	450	100,2	KLV58012	KGBV462120

MISURA SIZE		DIMENSIONI DIMENSIONS -ANSI-																					
DN [mm]	SIZE [inch]	ANSI	ØE	L	M	A	B	C	ATT. ISO	F/T	ØG	ØJ	ØR	S	P	ØK	N° FORI	ØI	H	Y	Kg	KIT LEVA LEVER KIT	KIT GUARNIZIONI SEALS KIT
DN 15	1/2"	150	13	170	85	35	55	9,2	F03	10/6	84	90	35,1	1,6	11,6	60,5	4	16	74	140	4,9	KLV58004	KGBV462040
DN 20	3/4"	150	19	200	100	45	71	13	F04	12/8	105	100	42,9	1,6	13,2	69,8	4	16	90,5	150	9,1	KLV58006	KGBV462050
DN 25	1"	150	25	230	115	55,5	90,5	19,1	F05	16/10	128	110	50,8	1,6	15,0	79,2	4	16	107	275	15,6	KLV58008	KGBV462060
DN 32	1 1/4"	150	32	240	120	60	95	19,1	F05	16/10	135	118	63,5	1,6	16,1	88,9	4	16	111,3	275	16,7	KLV58008	KGBV462070
DN 40	1 1/2"	150	38	300	150	72	119,5	26,4	F07	22/14	160	128	73	1,6	18,0	98,6	4	16	134,5	350	25,8	KLV58010	KGBV462080
DN 50	2"	150	51	320	160	81	128,5	26,4	F07	22/14	178	153	91,9	1,6	20,0	120,6	4	19	143,5	350	37,7	KLV58010	KGBV462090
DN 65	2 1/2"	150	64	350	175	93	154	33,1	F10	30/18	205	180	104,6	1,6	23,0	139,7	4	19	182,3	450	59,1	KLV58012	KGBV462100
DN 80	3"	150	76	370	185	101	162	33,1	F10	30/18	220	190	127	1,6	24,6	152,4	4	19	190,3	450	70,6	KLV58012	KGBV462110
DN 100	4"	150	102	400	200	124	182	33,1	F10	30/18	270	230	157,2	1,6	24,5	190,5	8	19	210,5	450	105,1	KLV58012	KGBV462120

Nota: per le valvole con la sfera a T, le dimensioni rimangono invariate. Note: for valves with T port, the dimensions do not change.



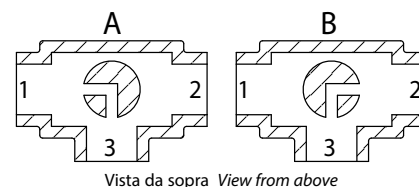
THOR SPLIT BODY 3 WAY 4 SEALS

PN 16-40 ANSI 150

SCHEMA SFERA A "L" PLAN FOR "L" PORT

N.B.: Con attuatore **SR NORMALMENTE CHIUSO** la posizione di riposo della sfera deve essere la "A".
 Con attuatore **SR NORMALMENTE APERTO** la posizione di riposo della sfera deve essere la "B".

N.B.: "A" must be the rest position of the ball with **SR FAIL CLOSE** actuator.
 "B" must be the rest position of the ball with **SR FAIL OPEN** actuator.



SCHEMA SFERA A "T" PLAN FOR "T" PORT

Con l'attuatore sono possibili solo due posizioni con rotazione di 90°: la configurazione della sfera deve essere sempre comunicata al nostro ufficio commerciale.

N.B.: Con attuatore **SR NORMALMENTE CHIUSO** scegliere la posizione di riposo della sfera; alimentando, l'attuatore ruota in senso antiorario.
 Con attuatore **SR NORMALMENTE APERTO** scegliere la posizione di riposo della sfera; alimentando, l'attuatore ruota in senso orario.

With actuator 2 positions with 90° rotation are possible only: the configuration of the ball must always be communicated to our sales department.

N.B.: Choose the rest position of the ball with **SR FAIL CLOSE** actuator; whenever supplied with air, actuator turns in an anticlockwise direction.
 Choose the rest position of the ball with **SR FAIL OPEN** actuator; whenever supplied with air, actuator turns in a clockwise direction.

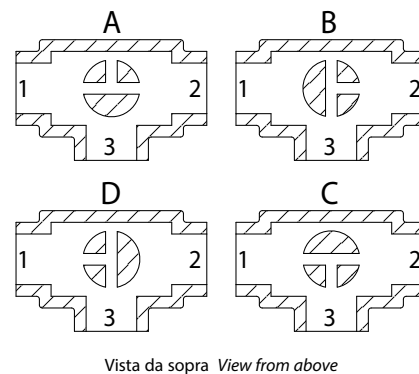
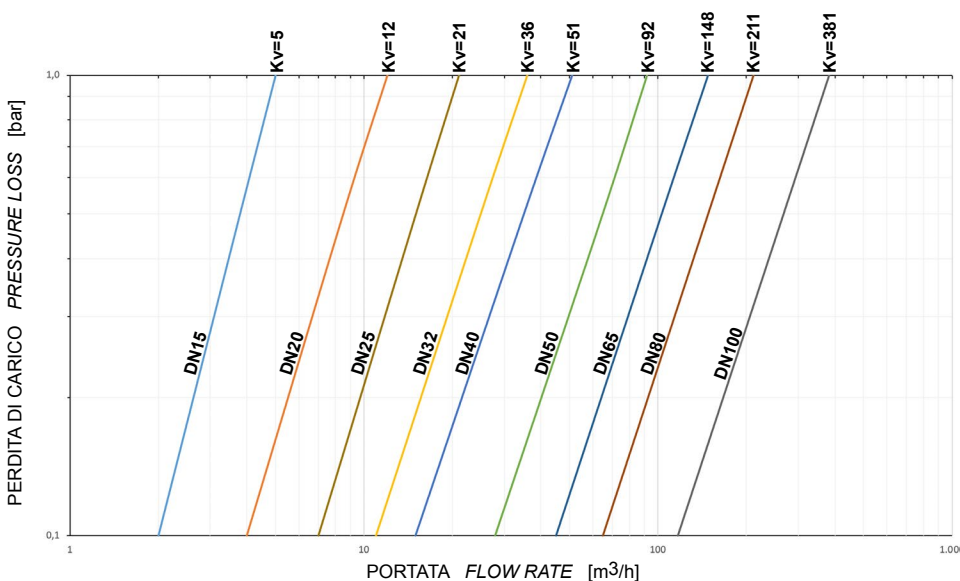


DIAGRAMMA PORTATA/PERDITA DI CARICO E COEFFICIENTE NOMINALE Kv FLOW/PRESSURE LOSS DIAGRAM AND Kv NOMINAL COEFFICIENT



Il valore Kv è il valore di portata in m³/h (con acqua a 15°C) che provoca la caduta di pressione di 1 bar.

Kv is the coefficient, expressed in m³/h (with water at 15°C) causing a pressure loss of 1 bar.

Il dimensionamento degli attuatori pneumatici è stato fatto considerando una pressione minima di alimentazione pari a 5,6 barg. Qualora si intercettino fluidi sgrassanti e/o contenenti particolato solido le coppie di manovra possono risultare maggiorate rispetto a quanto previsto.

The sizing of pneumatic actuators has been done considering a minimum supply pressure of 5,6 barg. In case of not lubricated fluids and/or fluids containing solid particles, torques could be higher than the ones indicated.



THOR SPLIT BODY 3 WAY 4 SEALS PN 16-40 ANSI 150

ACCIAIO AL CARBONIO CARBON STEEL



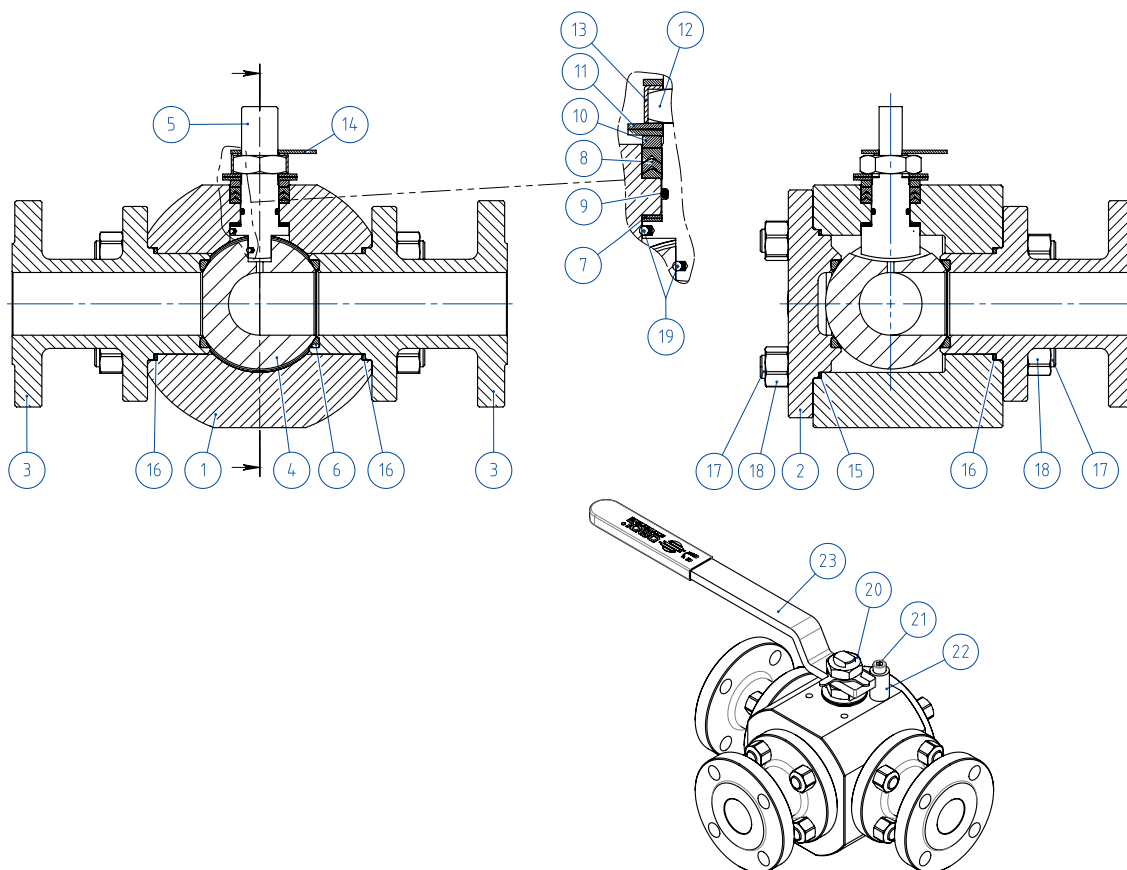
<p>ESECUZIONE STANDARD</p> <ul style="list-style-type: none"> • Sfera flottante, passaggio totale. • Tenuta soft seat TFM 1600. • Norme per flange d'attacco: EN1092-1, ASME B16.5. • Classi di pressione : ansi 150; PN16-40. • Classe di tenuta: EN12266-1 rate A. • Temperatura di utilizzo: -20°C +150°C. • Fluido intercettato: aria, acqua, gas, prodotti petroliferi e petrolchimici, fluidi aggressivi. • Antistatic device EN12266-2. • Tenuta stelo: pacco a V di serie in PTFE Modificato. • Tenuta addizionale su stelo con O-ring FKM. • Stelo anti Blow-out. • Foratura piano per attuatore a norma ISO 5211. 	<p>STANDARD EXECUTIONS</p> <ul style="list-style-type: none"> • Floating ball, full bore. • Soft-seat seal TFM 1600. • Standard for connecting flanges: EN1092-1, ASME B16.5. • Pressure Class : ansi 150; PN16-40. • Tightness Class: EN12266-1 rate A. • Working temperature: -20°C +150°C. • Intercepted fluid: air, water, gas, petroleum and petrochemical products, aggressive fluids. • Antistatic device EN12266-2. • Stem seal: Modified PTFE V-pack. • Additional seal on stem with FKM O-ring. • Anti Blow-out stem. • Actuator connection as per standard ISO 5211.
<p>ESECUZIONI A RICHIESTA</p> <ul style="list-style-type: none"> • Esecuzione per temperatura -40°C in A350 LF2. • Per altri tipi di flangiatura contattare il nostro ufficio commerciale. • Guarnizioni di tenuta in: PTFE caricato vetro (PTFE-GF), PTFE caricato carbografito (PTFE-CF). Per altri tipi di materiale contattare il nostro ufficio commerciale. • Leva, Dadi e molle stelo inox. • Per esecuzioni speciali con materiali (corpo/sfera/stelo) diversi dallo standard contattare il nostro ufficio commerciale. • Trattamento superficiale: zincatura bianca, verniciatura epossidica (per altri trattamenti contattare il nostro ufficio commerciale). • Marcatura e certificato ATEX A RICHIESTA. 	<p>EXECUTIONS ON REQUEST</p> <ul style="list-style-type: none"> • LF2 carbon steel for low temperature execution (-40°C). • For other flange types please contact our sales department. • Sealing in: PTFE reinforced with glass (PTFE-GF), PTFE reinforced with carbon-graphite (PTFE-CF). For other types of materials please contact our sales department. • Stainless steel lever. • Stainless steel stem nuts and springs. • For special versions with materials (body/ball/stem) different from the standard please contact our sales department. • Surface treatment: white zinc coating, epoxy coating. For other coating please contact our sales department. • ATEX marking and certificate ON REQUEST.
<p>CERTIFICAZIONI</p> <ul style="list-style-type: none"> • Conforme alla direttiva Europea 2014/68/EU PED; Fugitive Emission ISO 15848 (ISO FE BH-C03-SSA 0); Ta-Luft VDI: 2440. • Livello di sicurezza funzionale fino a SIL 3 in accordo a IEC 61508. • Conforme alla direttiva ATEX 2014/34/EU, certificato ATEX A RICHIESTA. 	<p>CERTIFICATIONS</p> <ul style="list-style-type: none"> • In compliance with European Directive 2014/68/EU PED; Fugitive Emission ISO 15848 (ISO FE BH-C03-SSA 0); Ta-Luft VDI: 2440. • Safety integrity level up to SIL 3 according to the IEC 61508. • In compliance with ATEX 2014/34/EU Directive , ATEX certificate ON REQUEST.
<p>NORME DI PROGETTAZIONE</p> <ul style="list-style-type: none"> • Spessori corpo in accordo a ASME B16.34, ASME VIII div.1, EN12516. • Materiali e rating in accordo ad ASME B16.34 per valvole ANSI ed EN12516 per valvole PN. 	<p>ENGINEERING STANDARDS</p> <ul style="list-style-type: none"> • Body thickness in compliance with: ASME B16.34, ASME VIII div.1, EN12516. • Materials and rating in compliance with ASME B16.34 for ANSI valves and EN12516 for PN valves.



THOR SPLIT BODY 3 WAY 4 SEALS - PN 16-40 ANSI 150

ACCIAIO AL CARBONIO CARBON STEEL

TABELLA DEI MATERIALI MATERIALS TABLE



MATERIALI MATERIALS SPLIT BODY PN16-40 ANSI 150

N°	Descrizione Description	A105 Carbon steel	A350 LF2 Carbon steel
1	Corpo Body	ASTM A105	ASTM A350 LF2
2	Coperchio Cover		
3	Terminale Connector		
4	Sfera Ball	ASTM A351 CF8M	
5	Stelo Stem	A564 TP.630 (17-4PH)	
6*	Seggio Seat	PTFE Modificato Modified PTFE	
7*	Tenuta inferiore stelo Stem lower sealing	PTFE Modificato Modified PTFE	
8*	Pacco a V Chevron rings	PTFE Modificato Modified PTFE	
9*	O-ring stelo Stem O-ring	FKM	
10	Anello premi guarnizione Packing gland ring	Acciaio al carbonio zincato Zinc coated carbon steel (x)	
11	Molle stelo Stem springs	Acciaio al carbonio zincato Zinc coated carbon steel (xx)	
12	Dado stelo Stem nut	Acciaio al carbonio zincato Zinc coated carbon steel (x)	
13	Piastra blocca dado Stop nut plate	304 S.S.	
14	Indicatore Indicator	304 S.S.	
15*	Guarnizione Corpo-Coperchio Body-Cover nut gasket	GRAFOIL	
16*	Guarnizione Corpo-Terminale Body-Connector gasket	GRAFOIL	
17	Tiranti Stud bolt	ASTM A193-B7	ASTM A320 L7M
18	Dadi Nut	ASTM A194-Gr.2H	ASTM A194-Gr.7M
19	Dispositivo antistatico Antistatic device	316 S.S.	
20	Controdado Lock nut	Acciaio al carbonio zincato Zinc coated carbon steel (x)	
21	Vite di fermo Holder screw	A2-70 (304 S.S.)	
22	Fermo di posizione Holder screw	Acciaio al carbonio zincato Zinc coated carbon steel (x)	
23	Leva Lever	Fe37 zincato - galvanized (x)	

* Componenti del kit di guarnizioni Components of seals kit

A richiesta disponibile in: Available on request:

(x): 304 s.s.
(xx): 301 s.s.



THOR SPLIT BODY 3 WAY 4 SEALS - PN 16-40 ANSI 150
ACCIAIO AL CARBONIO CARBON STEEL
ASSE LIBERO E CON LEVA FREE SHAFT AND WITH LEVER



CODICI VALVOLE IN ACCIAIO AL CARBONIO ASSE LIBERO (V_) E CON LEVA (L_) - SFERA A "L"
CARBON STEEL BARE SHAFT (V_) AND LEVER (L_) OPERATED VALVE CODE - "L" BALL

	MISURA SIZE		PN/ANSI	A105 Carbon steel	LF2 Carbon steel
	DN [mm]	[inch]			
PN	DN 15	1/2"	PN 16-40	V/LT204F03CAA0AFQNV00B	V/LT204F03CBA0AHQNV00B
	DN 20	3/4"	PN 16-40	V/LT205F03CAA0AFQNV00B	V/LT205F03CBA0AHQNV00B
	DN 25	1"	PN 16-40	V/LT206F03CAA0AFQNV00B	V/LT206F03CBA0AHQNV00B
	DN 32	1" 1/4	PN 16-40	V/LT207F03CAA0AFQNV00B	V/LT207F03CBA0AHQNV00B
	DN 40	1" 1/2	PN 16-40	V/LT208F03CAA0AGQNV00B	V/LT208F03CBA0AIQNV00B
	DN 50	2"	PN 16-40	V/LT209F03CAA0AGQNV00B	V/LT209F03CBA0AIQNV00B
	DN 65	2" 1/2	PN 16	V/LT210E03CAA0AGQNV00B	V/LT210E03CBA0AIQNV00B
	DN 80	3"	PN 16	V/LT211E03CAA0AGQNV00B	V/LT211E03CBA0AIQNV00B
	DN 100	4"	PN 16	V/LT212E03CAA0AGQNV00B	V/LT212E03CBA0AIQNV00B
ANSI	DN 15	1/2"	ANSI 150	V/LT204104CAA0AFQNV00B	V/LT204104CBA0AHQNV00B
	DN 20	3/4"	ANSI 150	V/LT205104CAA0AFQNV00B	V/LT205104CBA0AHQNV00B
	DN 25	1"	ANSI 150	V/LT206104CAA0AFQNV00B	V/LT206104CBA0AHQNV00B
	DN 32	1" 1/4	ANSI 150	V/LT207104CAA0AFQNV00B	V/LT207104CBA0AHQNV00B
	DN 40	1" 1/2	ANSI 150	V/LT208104CAA0AGQNV00B	V/LT208104CBA0AIQNV00B
	DN 50	2"	ANSI 150	V/LT209104CAA0AGQNV00B	V/LT209104CBA0AIQNV00B
	DN 65	2" 1/2	ANSI 150	V/LT210104CAA0AGQNV00B	V/LT210104CBA0AIQNV00B
	DN 80	3"	ANSI 150	V/LT211104CAA0AGQNV00B	V/LT211104CBA0AIQNV00B
	DN 100	4"	ANSI 150	V/LT212104CAA0AGQNV00B	V/LT212104CBA0AIQNV00B

CODICI VALVOLE IN ACCIAIO AL CARBONIO ASSE LIBERO (V_) E CON LEVA (L_) - SFERA A "T"
CARBON STEEL BARE SHAFT (V_) AND LEVER (L_) OPERATED VALVE CODE - "T" BALL

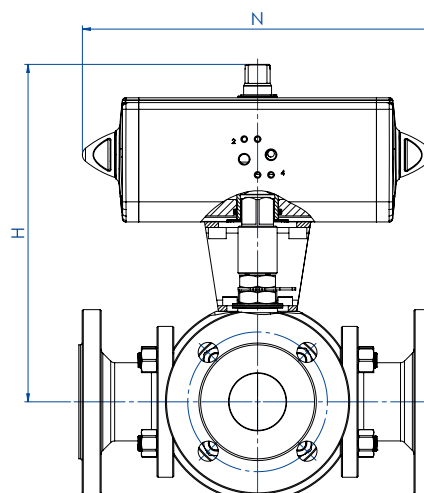
	MISURA SIZE		PN/ANSI	A105 Carbon steel	LF2 Carbon steel
	DN [mm]	[inch]			
PN	DN 15	1/2"	PN 16-40	V/LT304F03CAA0AFQNV00B	V/LT304F03CBA0AHQNV00B
	DN 20	3/4"	PN 16-40	V/LT305F03CAA0AFQNV00B	V/LT305F03CBA0AHQNV00B
	DN 25	1"	PN 16-40	V/LT306F03CAA0AFQNV00B	V/LT306F03CBA0AHQNV00B
	DN 32	1" 1/4	PN 16-40	V/LT307F03CAA0AFQNV00B	V/LT307F03CBA0AHQNV00B
	DN 40	1" 1/2	PN 16-40	V/LT308F03CAA0AGQNV00B	V/LT308F03CBA0AIQNV00B
	DN 50	2"	PN 16-40	V/LT309F03CAA0AGQNV00B	V/LT309F03CBA0AIQNV00B
	DN 65	2" 1/2	PN 16	V/LT310E03CAA0AGQNV00B	V/LT310E03CBA0AIQNV00B
	DN 80	3"	PN 16	V/LT311E03CAA0AGQNV00B	V/LT311E03CBA0AIQNV00B
	DN 100	4"	PN 16	V/LT312E03CAA0AGQNV00B	V/LT312E03CBA0AIQNV00B
ANSI	DN 15	1/2"	ANSI 150	V/LT304104CAA0AFQNV00B	V/LT304104CBA0AHQNV00B
	DN 20	3/4"	ANSI 150	V/LT305104CAA0AFQNV00B	V/LT305104CBA0AHQNV00B
	DN 25	1"	ANSI 150	V/LT306104CAA0AFQNV00B	V/LT306104CBA0AHQNV00B
	DN 32	1" 1/4	ANSI 150	V/LT307104CAA0AFQNV00B	V/LT307104CBA0AHQNV00B
	DN 40	1" 1/2	ANSI 150	V/LT308104CAA0AGQNV00B	V/LT308104CBA0AIQNV00B
	DN 50	2"	ANSI 150	V/LT309104CAA0AGQNV00B	V/LT309104CBA0AIQNV00B
	DN 65	2" 1/2	ANSI 150	V/LT310104CAA0AGQNV00B	V/LT310104CBA0AIQNV00B
	DN 80	3"	ANSI 150	V/LT311104CAA0AGQNV00B	V/LT311104CBA0AIQNV00B
	DN 100	4"	ANSI 150	V/LT312104CAA0AGQNV00B	V/LT312104CBA0AIQNV00B



THOR SPLIT BODY 3 WAY 4 SEALS - PN 16-40

ACCIAIO AL CARBONIO CARBON STEEL

CON ATTUATORE PNEUMATICO DA WITH DA PNEUMATIC ACTUATOR



CODICI ARTICOLI IN A105 ACCIAIO AL CARBONIO ITEM CODES IN A105 CARBON STEEL

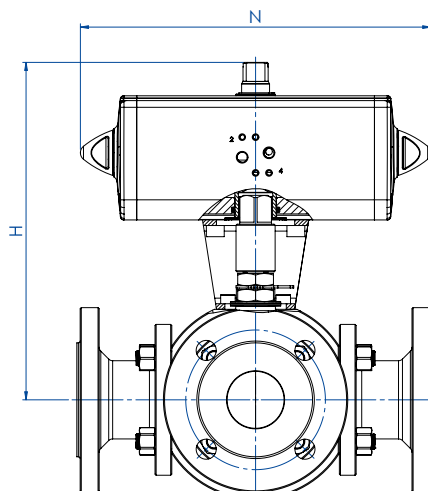
MISURA DN [mm]	SIZE [inch]	PN	CODICE ARTICOLO -SFERA A "L"- ITEM CODE -"L" BALL-	CODICE ARTICOLO -SFERA A "T"- ITEM CODE -"T" BALL-	ATTUATORE ACTUATOR	KIT di montaggio Mounting KIT	N [mm]	H [mm]	Kg
DN 15	1/2"	16-40	DT204F03CAA0AFQNV00BAFEA0	DT304F03CAA0AFQNV00BAFEA0	DAN0060412S	KCNACHD5263	198,0	185,4	8,0
DN 20	3/4"	16-40	DT205F03CAA0AFQNV00BAFGA0	DT305F03CAA0AFQNV00BAFGA0	DAN0106411S	KCNBCHD5398	237,0	208,3	13,4
DN 25	1"	16-40	DT206F03CAA0AFQNV00BAFGA0	DT306F03CAA0AFQNV00BAFGA0	DAN0106411S	KCNCCHD5317	237,0	218,8	19,7
DN 32	1" 1/4	16-40	DT207F03CAA0AFQNV00BAFHA0	DT307F03CAA0AFQNV00BAFHA0	DAN0120411S	KCNCCHD5317	244,1	227,0	22,5
DN 40	1" 1/2	16-40	DT208F03CAA0AGQNV00BAFIA0	DT308F03CAA0AGQNV00BAFIA0	DAN0180411S	KCNDDHD5319	289,9	269,5	33,3
DN 50	2"	16-40	DT209F03CAA0AGQNV00BAFKA0	DT309F03CAA0AGQNV00BAFKA0	DAN0360411S	KCNDDHD5319	339,3	289,0	46,8
DN 65	2" 1/2	16	DT210E03CAA0AGQNV00BAFKA0	DT310E03CAA0AGQNV00BAFKA0	DAN0360411S	KCNEEHD5379	339,3	321,0	65,6
DN 80	3"	16	DT211E03CAA0AGQNV00BAFLA0	DT311E03CAA0AGQNV00BAFLA0	DAN0480411S	KCNEFHD5322	387,6	245,9	83,4
DN 100	4"	16	DT212E03CAA0AGQNV00BAFNA0	DT312E03CAA0AGQNV00BAFNA0	DAN0960411S	KCNEFHD5380	479,3	402,0	120,8

CODICI ARTICOLI IN LF2 ACCIAIO AL CARBONIO ITEM CODES IN LF2 CARBON STEEL

MISURA DN [mm]	SIZE [inch]	PN	CODICE ARTICOLO -SFERA A "L"- ITEM CODE -"L" BALL-	CODICE ARTICOLO -SFERA A "T"- ITEM CODE -"T" BALL-	ATTUATORE ACTUATOR	KIT di montaggio Mounting KIT	N [mm]	H [mm]	Kg
DN 15	1/2"	16-40	DT204F03CBA0AHQNV00BAFEA0	DT304F03CBA0AHQNV00BAFEA0	DAN0060412S	KCNACHD5263	198,0	185,4	8,0
DN 20	3/4"	16-40	DT205F03CBA0AHQNV00BAFGA0	DT305F03CBA0AHQNV00BAFGA0	DAN0106411S	KCNBCHD5398	237,0	208,3	13,4
DN 25	1"	16-40	DT206F03CBA0AHQNV00BAFGA0	DT306F03CBA0AHQNV00BAFGA0	DAN0106411S	KCNCCHD5317	237,0	218,8	19,7
DN 32	1" 1/4	16-40	DT207F03CBA0AHQNV00BAFHA0	DT307F03CBA0AHQNV00BAFHA0	DAN0120411S	KCNCCHD5317	244,1	227,0	22,5
DN 40	1" 1/2	16-40	DT208F03CBA0AIQNV00BAFIA0	DT308F03CBA0AIQNV00BAFIA0	DAN0180411S	KCNDDHD5319	289,9	269,5	33,3
DN 50	2"	16-40	DT209F03CBA0AIQNV00BAFKA0	DT309F03CBA0AIQNV00BAFKA0	DAN0360411S	KCNDDHD5319	339,3	289,0	46,8
DN 65	2" 1/2	16	DT210E03CBA0AIQNV00BAFKA0	DT310E03CBA0AIQNV00BAFKA0	DAN0360411S	KCNEEHD5379	339,3	321,0	65,6
DN 80	3"	16	DT211E03CBA0AIQNV00BAFLA0	DT311E03CBA0AIQNV00BAFLA0	DAN0480411S	KCNEFHD5322	387,6	245,9	83,4
DN 100	4"	16	DT212E03CBA0AIQNV00BAFNA0	DT312E03CBA0AIQNV00BAFNA0	DAN0960411S	KCNEFHD5380	479,3	402,0	120,8



THOR SPLIT BODY 3 WAY 4 SEALS - ANSI 150
ACCIAIO AL CARBONIO CARBON STEEL
CON ATTUATORE PNEUMATICO DA WITH DA PNEUMATIC ACTUATOR



CODICI ARTICOLI IN A105 ACCIAIO AL CARBONIO ITEM CODES IN A105 CARBON STEEL

MISURA DN [mm]	SIZE [inch]	ANSI	CODICE ARTICOLO -SFERA A "L"- ITEM CODE -"L" BALL-	CODICE ARTICOLO -SFERA A "T"- ITEM CODE -"T" BALL-	ATTUATORE ACTUATOR	KIT di montaggio Mounting KIT	N [mm]	H [mm]	Kg
DN 15	1/2"	150	DT204104CAA0AFQNV00BAFEA0	DT304104CAA0AFQNV00BAFEA0	DAN0060412S	KCNACHD5263	198,0	185,4	7,1
DN 20	3/4"	150	DT205104CAA0AFQNV00BAFGA0	DT305104CAA0AFQNV00BAFGA0	DAN0106411S	KCNBCHD5398	237,0	208,3	12,3
DN 25	1"	150	DT206104CAA0AFQNV00BAFGA0	DT306104CAA0AFQNV00BAFGA0	DAN0106411S	KCNCCHD5317	237,0	218,8	18,9
DN 32	1" 1/4	150	DT207104CAA0AFQNV00BAFHA0	DT307104CAA0AFQNV00BAFHA0	DAN0120411S	KCNCCHD5317	244,1	227,0	20,1
DN 40	1" 1/2	150	DT208104CAA0AGQNV00BAFIA0	DT308104CAA0AGQNV00BAFIA0	DAN0180411S	KCNDDHD5319	289,9	269,5	31,5
DN 50	2"	150	DT209104CAA0AGQNV00BAFKA0	DT309104CAA0AGQNV00BAFKA0	DAN0360411S	KCNDDHD5319	339,3	289,0	45,3
DN 65	2" 1/2	150	DT210104CAA0AGQNV00BAFKA0	DT310104CAA0AGQNV00BAFKA0	DAN0360411S	KCNEEHD5379	339,3	321,0	67,4
DN 80	3"	150	DT211104CAA0AGQNV00BAFLA0	DT311104CAA0AGQNV00BAFLA0	DAN0480411S	KCNEFHD5322	387,6	245,9	82,8
DN 100	4"	150	DT212104CAA0AGQNV00BAFNA0	DT312104CAA0AGQNV00BAFNA0	DAN0960411S	KCNEFHD5380	479,3	402,0	125,7

CODICI ARTICOLI IN LF2 ACCIAIO AL CARBONIO ITEM CODES IN LF2 CARBON STEEL

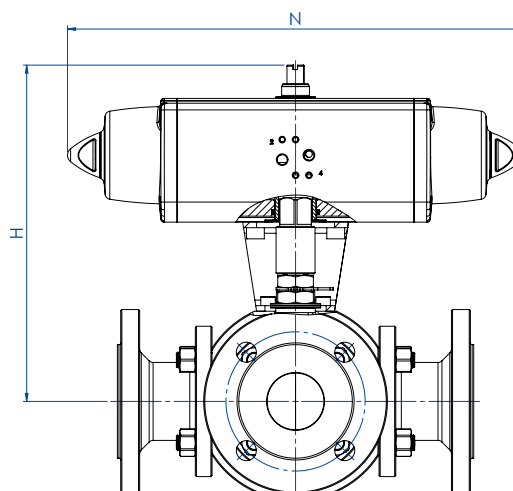
MISURA DN [mm]	SIZE [inch]	ANSI	CODICE ARTICOLO -SFERA A "L"- ITEM CODE -"L" BALL-	CODICE ARTICOLO -SFERA A "T"- ITEM CODE -"T" BALL-	ATTUATORE ACTUATOR	KIT di montaggio Mounting KIT	N [mm]	H [mm]	Kg
DN 15	1/2"	150	DT204104CBA0AHQNV00BAFEA0	DT304104CBA0AHQNV00BAFEA0	DAN0060412S	KCNACHD5263	198,0	185,4	7,1
DN 20	3/4"	150	DT205104CBA0AHQNV00BAFGA0	DT305104CBA0AHQNV00BAFGA0	DAN0106411S	KCNBCHD5398	237,0	208,3	12,3
DN 25	1"	150	DT206104CBA0AHQNV00BAFGA0	DT306104CBA0AHQNV00BAFGA0	DAN0106411S	KCNCCHD5317	237,0	218,8	18,9
DN 32	1" 1/4	150	DT207104CBA0AHQNV00BAFHA0	DT307104CBA0AHQNV00BAFHA0	DAN0120411S	KCNCCHD5317	244,1	227,0	20,1
DN 40	1" 1/2	150	DT208104CBA0AIQNV00BAFIA0	DT308104CBA0AIQNV00BAFIA0	DAN0180411S	KCNDDHD5319	289,9	269,5	31,5
DN 50	2"	150	DT209104CBA0AIQNV00BAFKA0	DT309104CBA0AIQNV00BAFKA0	DAN0360411S	KCNDDHD5319	339,3	289,0	45,3
DN 65	2" 1/2	150	DT210104CBA0AIQNV00BAFKA0	DT310104CBA0AIQNV00BAFKA0	DAN0360411S	KCNEEHD5379	339,3	321,0	67,4
DN 80	3"	150	DT211104CBA0AIQNV00BAFLA0	DT311104CBA0AIQNV00BAFLA0	DAN0480411S	KCNEFHD5322	387,6	245,9	82,8
DN 100	4"	150	DT212104CBA0AIQNV00BAFNA0	DT312104CBA0AIQNV00BAFNA0	DAN0960411S	KCNEFHD5380	479,3	402,0	125,7



THOR SPLIT BODY 3 WAY 4 SEALS - PN 16-40

ACCIAIO AL CARBONIO CARBON STEEL

CON ATTUATORE PNEUMATICO SR WITH SR PNEUMATIC ACTUATOR



CODICI ARTICOLI IN A105 ACCIAIO AL CARBONIO ITEM CODES IN A105 CARBON STEEL

MISURA DN [mm]	SIZE [inch]	PN	CODICE ARTICOLO -SFERA A "L"- ITEM CODE -"L" BALL-	CODICE ARTICOLO -SFERA A "T"- ITEM CODE -"T" BALL-	ATTUATORE ACTUATOR	KIT di montaggio Mounting KIT	N [mm]	H [mm]	Kg
DN 15	1/2"	16-40	ST204F03CAA0AFQNV00BAFHA0	ST304F03CAA0AFQNV00BAFHA0	SRN0060401S	KCNACHD5399	338,5	202,0	9,7
DN 20	3/4"	16-40	ST205F03CAA0AFQNV00BAFIA0	ST305F03CAA0AFQNV00BAFIA0	SRN0090401S	KCNBDHD5400	393,7	242,5	17,1
DN 25	1"	16-40	ST206F03CAA0AFQNV00BAFIA0	ST306F03CAA0AFQNV00BAFIA0	SRN0090401S	KCNCDHD5329	393,7	253,0	23,4
DN 32	1" 1/4	16-40	ST207F03CAA0AFQNV00BAFJA0	ST307F03CAA0AFQNV00BAFJA0	SRN0120401S	KCNCDHD5329	409,6	261,1	27,0
DN 40	1" 1/2	16-40	ST208F03CAA0AGQNV00BAFKA0	ST308F03CAA0AGQNV00BAFKA0	SRN0180401S	KCNDDHD5383	474,0	280,0	37,7
DN 50	2"	16-40	ST209F03CAA0AGQNV00BAFMA0	ST309F03CAA0AGQNV00BAFMA0	SRN0360401S	KCNDEHD5330	613,0	339,0	57,5
DN 65	2" 1/2	16	ST210E03CAA0AGQNV00BAFMA0	ST310E03CAA0AGQNV00BAFMA0	SRN0360401S	KCNEFHD5322	613,0	351,0	76,4
DN 80	3"	16	ST211E03CAA0AGQNV00BAFNA0	ST311E03CAA0AGQNV00BAFNA0	SRN0480401S	KCNEFHD5392	648,2	279,0	97,0
DN 100	4"	16	ST212E03CAA0AGQNV00BAFRA0	ST312E03CAA0AGQNV00BAFRA0	SRN0960401S	KCNEGHD5384	828,0	441,7	146,4

CODICI ARTICOLI IN LF2 ACCIAIO AL CARBONIO ITEM CODES IN LF2 CARBON STEEL

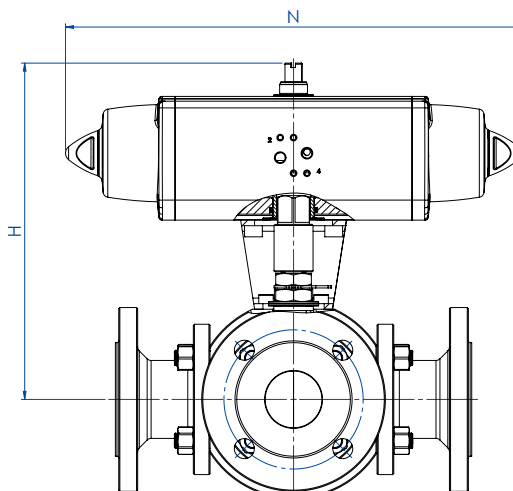
MISURA DN [mm]	SIZE [inch]	PN	CODICE ARTICOLO -SFERA A "L"- ITEM CODE -"L" BALL-	CODICE ARTICOLO -SFERA A "T"- ITEM CODE -"T" BALL-	ATTUATORE ACTUATOR	KIT di montaggio Mounting KIT	N [mm]	H [mm]	Kg
DN 15	1/2"	16-40	ST204F03CBA0AHQNV00BAFHA0	ST304F03CBA0AHQNV00BAFHA0	SRN0060401S	KCNACHD5399	338,5	202,0	9,7
DN 20	3/4"	16-40	ST205F03CBA0AHQNV00BAFIA0	ST305F03CBA0AHQNV00BAFIA0	SRN0090401S	KCNBDHD5400	393,7	242,5	17,1
DN 25	1"	16-40	ST206F03CBA0AHQNV00BAFIA0	ST306F03CBA0AHQNV00BAFIA0	SRN0090401S	KCNCDHD5329	393,7	253,0	23,4
DN 32	1" 1/4	16-40	ST207F03CBA0AHQNV00BAFJA0	ST307F03CBA0AHQNV00BAFJA0	SRN0120401S	KCNCDHD5329	409,6	261,1	27,0
DN 40	1" 1/2	16-40	ST208F03CBA0AIQNV00BAFKA0	ST308F03CBA0AIQNV00BAFKA0	SRN0180401S	KCNDDHD5383	474,0	280,0	37,7
DN 50	2"	16-40	ST209F03CBA0AIQNV00BAFMA0	ST309F03CBA0AIQNV00BAFMA0	SRN0360401S	KCNDEHD5330	613,0	339,0	57,5
DN 65	2" 1/2	16	ST210E03CBA0AIQNV00BAFMA0	ST310E03CBA0AIQNV00BAFMA0	SRN0360401S	KCNEFHD5322	613,0	351,0	76,4
DN 80	3"	16	ST211E03CBA0AIQNV00BAFNA0	ST311E03CBA0AIQNV00BAFNA0	SRN0480401S	KCNEFHD5392	648,2	279,0	97,0
DN 100	4"	16	ST212E03CBA0AIQNV00BAFRA0	ST312E03CBA0AIQNV00BAFRA0	SRN0960401S	KCNEGHD5384	828,0	441,7	146,4



THOR SPLIT BODY 3 WAY 4 SEALS - ANSI 150

ACCIAIO AL CARBONIO CARBON STEEL

CON ATTUATORE PNEUMATICO SR WITH SR PNEUMATIC ACTUATOR



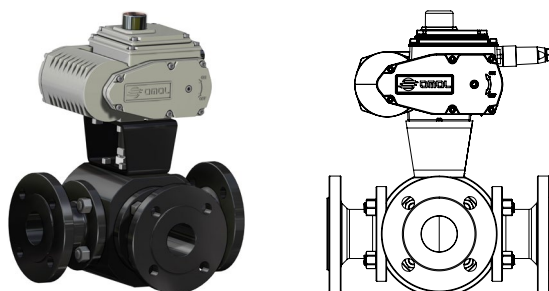
CODICI ARTICOLI IN A105 ACCIAIO AL CARBONIO ITEM CODES IN A105 CARBON STEEL

MISURA DN [mm]	SIZE [inch]	ANSI	CODICE ARTICOLO -SFERA A "L"- ITEM CODE -"L" BALL-	CODICE ARTICOLO -SFERA A "T"- ITEM CODE -"T" BALL-	ATTUATORE ACTUATOR	KIT di montaggio Mounting KIT	N [mm]	H [mm]	Kg
DN 15	1/2"	150	ST204104CAA0AFQNV00BAFHA0	ST304104CAA0AFQNV00BAFHA0	SRN0060401S	KCNACHD5399	338,5	202,0	8,8
DN 20	3/4"	150	ST205104CAA0AFQNV00BAFIA0	ST305104CAA0AFQNV00BAFIA0	SRN0090401S	KCNBDHD5400	393,7	242,5	16,0
DN 25	1"	150	ST206104CAA0AFQNV00BAFIA0	ST306104CAA0AFQNV00BAFIA0	SRN0090401S	KCNCDHD5329	393,7	253,0	22,6
DN 32	1" 1/4	150	ST207104CAA0AFQNV00BAFJA0	ST307104CAA0AFQNV00BAFJA0	SRN0120401S	KCNCDHD5329	409,6	261,1	24,6
DN 40	1" 1/2	150	ST208104CAA0AGQNV00BAFKA0	ST308104CAA0AGQNV00BAFKA0	SRN0180401S	KCNDDHD5383	474,0	280,0	35,9
DN 50	2"	150	ST209104CAA0AGQNV00BAFMA0	ST309104CAA0AGQNV00BAFMA0	SRN0360401S	KCNDEHD5330	613,0	339,0	56,0
DN 65	2" 1/2	150	ST210104CAA0AGQNV00BAFMA0	ST310104CAA0AGQNV00BAFMA0	SRN0360401S	KCNEFHD5322	613,0	351,0	78,2
DN 80	3"	150	ST211104CAA0AGQNV00BAFNA0	ST311104CAA0AGQNV00BAFNA0	SRN0480401S	KCNEFHD5392	648,2	279,0	96,4
DN 100	4"	150	ST212104CAA0AGQNV00BAFRA0	ST312104CAA0AGQNV00BAFRA0	SRN0960401S	KCNEGHD5384	828,0	441,7	151,3

CODICI ARTICOLI IN LF2 ACCIAIO AL CARBONIO ITEM CODES IN LF2 CARBON STEEL

MISURA DN [mm]	SIZE [inch]	ANSI	CODICE ARTICOLO -SFERA A "L"- ITEM CODE -"L" BALL-	CODICE ARTICOLO -SFERA A "T"- ITEM CODE -"T" BALL-	ATTUATORE ACTUATOR	KIT di montaggio Mounting KIT	N [mm]	H [mm]	Kg
DN 15	1/2"	150	ST204104CBA0AHQNV00BAFHA0	ST304104CBA0AHQNV00BAFHA0	SRN0060401S	KCNACHD5399	338,5	202,0	8,8
DN 20	3/4"	150	ST205104CBA0AHQNV00BAFIA0	ST305104CBA0AHQNV00BAFIA0	SRN0090401S	KCNBDHD5400	393,7	242,5	16,0
DN 25	1"	150	ST206104CBA0AHQNV00BAFIA0	ST306104CBA0AHQNV00BAFIA0	SRN0090401S	KCNCDHD5329	393,7	253,0	22,6
DN 32	1" 1/4	150	ST207104CBA0AHQNV00BAFJA0	ST307104CBA0AHQNV00BAFJA0	SRN0120401S	KCNCDHD5329	409,6	261,1	24,6
DN 40	1" 1/2	150	ST208104CBA0AIQNV00BAFKA0	ST308104CBA0AIQNV00BAFKA0	SRN0180401S	KCNDDHD5383	474,0	280,0	35,9
DN 50	2"	150	ST209104CBA0AIQNV00BAFMA0	ST309104CBA0AIQNV00BAFMA0	SRN0360401S	KCNDEHD5330	613,0	339,0	56,0
DN 65	2" 1/2	150	ST210104CBA0AIQNV00BAFMA0	ST310104CBA0AIQNV00BAFMA0	SRN0360401S	KCNEFHD5322	613,0	351,0	78,2
DN 80	3"	150	ST211104CBA0AIQNV00BAFNA0	ST311104CBA0AIQNV00BAFNA0	SRN0480401S	KCNEFHD5392	648,2	279,0	96,4
DN 100	4"	150	ST212104CBA0AIQNV00BAFRA0	ST312104CBA0AIQNV00BAFRA0	SRN0960401S	KCNEGHD5384	828,0	441,7	151,3

A richiesta, articoli disponibili anche con attuatore elettrico:
On request, items available also with electric actuator:

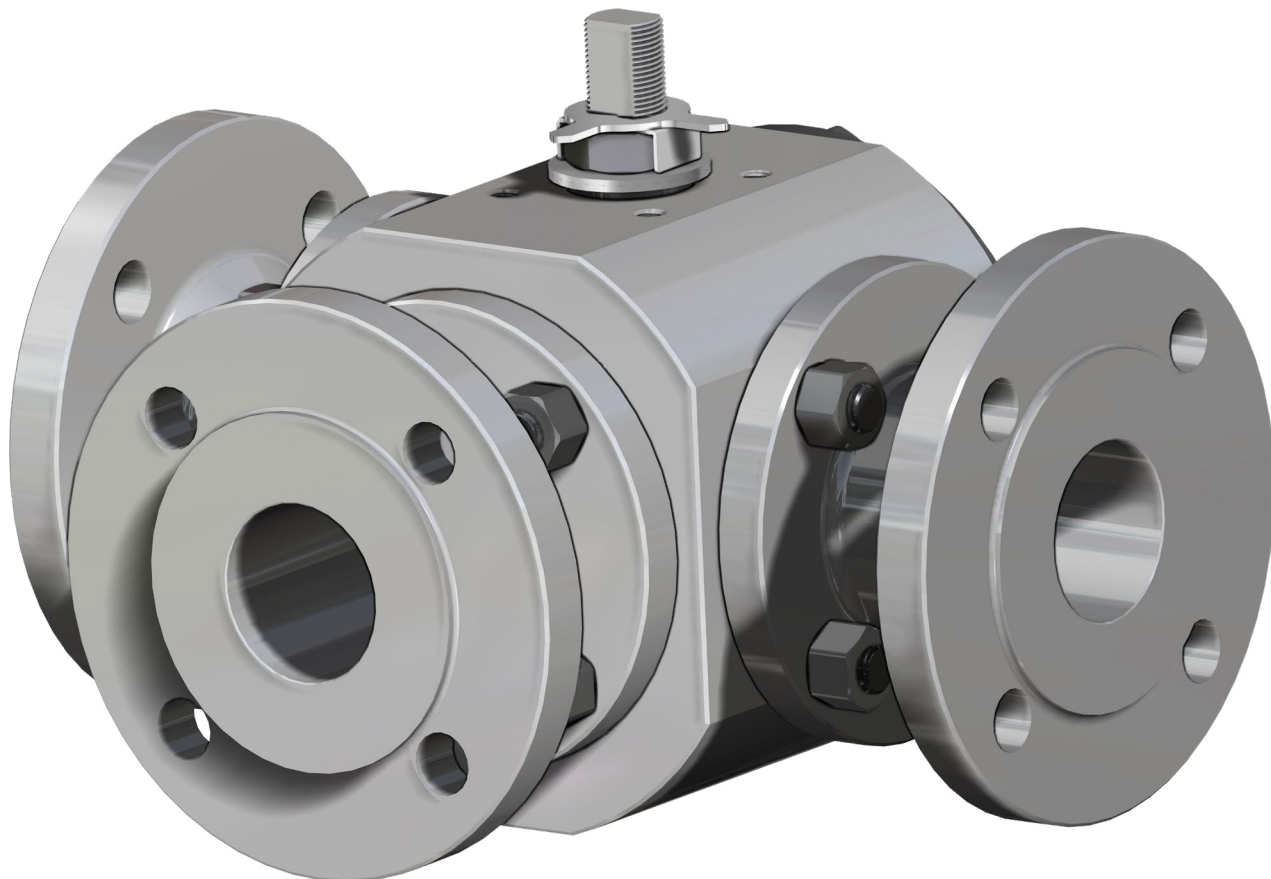




THOR SPLIT BODY 3 WAY 4 SEALS

ACCIAIO INOX STAINLESS STEEL

PN 16-40 ANSI 150



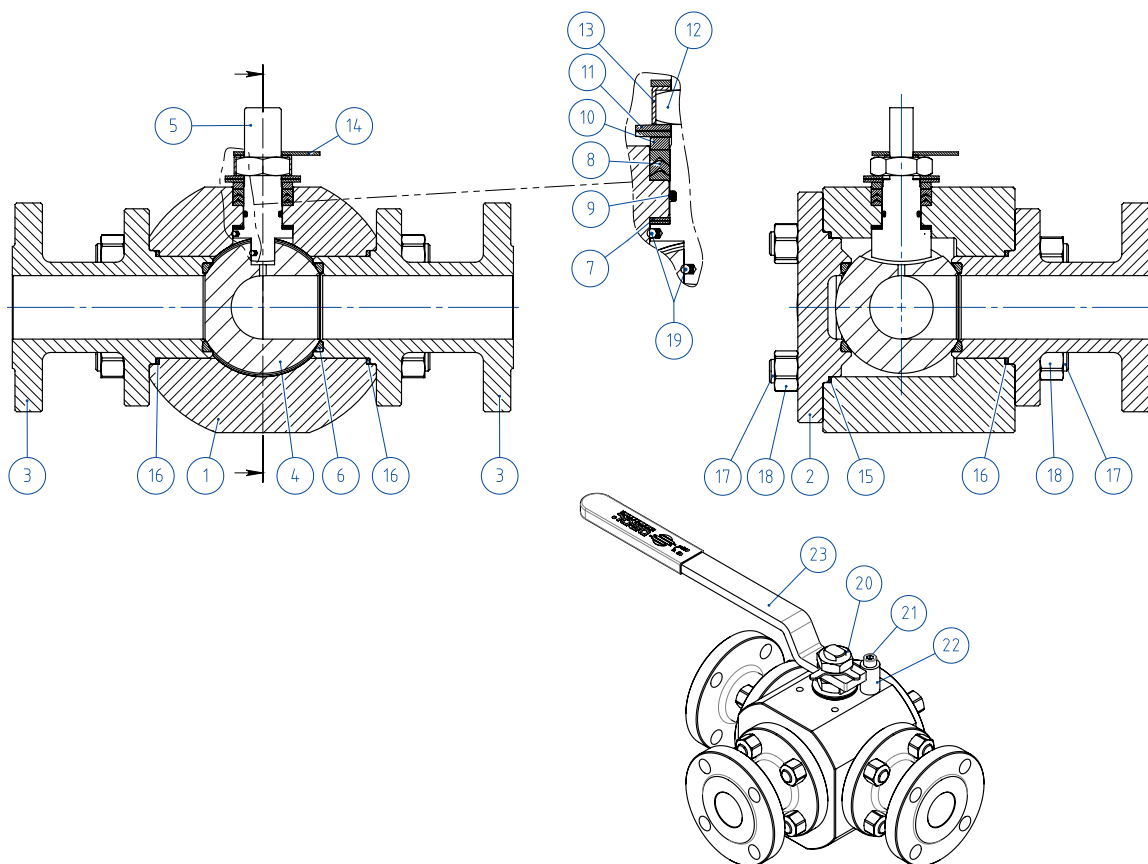
<p>ESECUZIONE STANDARD</p> <ul style="list-style-type: none"> • Sfera flottante, passaggio totale. • Tenuta soft seat PTFE Modificato. • Norme per flange d'attacco: EN1092-1, ASME B16.5. • Classi di pressione : ANSI 150; PN16-40. • Classe di tenuta: EN12266-1 rate A. • Temperatura di utilizzo: -40°C +150°C. • Fluido intercettato: aria, acqua, gas, prodotti petroliferi e petrolchimici, fluidi aggressivi. • Antistatic device EN12266-2. • Tenuta stelo: pacco a V di serie in PTFE Modificato. • Tenuta addizionale su stelo con O-ring FKM. • Stelo anti Blow-out. • Foratura piano per attuatore a norma ISO 5211. 	<p>STANDARD EXECUTIONS</p> <ul style="list-style-type: none"> • Floating ball, full bore. • Soft-seat seal Modified PTFE. • Standard for connecting flanges: EN1092-1, ASME B16.5. • Pressure Class : ANSI 150; PN16-40. • Tightness Class: EN12266-1 rate A. • Working temperature: -40°C +150°C. • Intercepted fluid: air, water, gas, petroleum and petrochemical products, aggressive fluids. • Antistatic device EN12266-2. • Stem seal: Modified PTFE V-pack. • Additional seal on stem with FKM O-ring. • Anti Blow-out stem. • Actuator connection as per standard ISO 5211.
<p>ESECUZIONI A RICHIESTA</p> <ul style="list-style-type: none"> • Per altri tipi di flangiatura contattare il nostro ufficio commerciale. • Guarnizioni di tenuta in: PTFE caricato vetro (PTFE-GF), PTFE caricato carbografito (PTFE-CF). Per altri tipi di materiale contattare il nostro ufficio commerciale. • Leva inox. • Dadi e molle stelo inox. • Per esecuzioni speciali con materiali (corpo/sfera/stelo) diversi dallo standard contattare il nostro ufficio commerciale. • Marcatura e certificato ATEX A RICHIESTA. 	<p>EXECUTIONS ON REQUEST</p> <ul style="list-style-type: none"> • For other flanges type please contact our sales department. • Sealing in: PTFE reinforced with glass (PTFE-GF), PTFE reinforced with carbon-graphite (PTFE-CF). For other types of materials please contact our sales department. • Stainless steel lever. • Stainless steel stem nuts and springs. • For special versions with materials (body/ball/stem) different from the standard please contact our sales department. • ATEX marking and certificate ON REQUEST.
<p>CERTIFICAZIONI</p> <ul style="list-style-type: none"> • Conforme alla direttiva Europea 2014/68/UE PED; Fugitive Emission ISO 15848 (ISO FE BH-C03-SSA 0); Ta-Luft VDI: 2440. • Livello di sicurezza funzionale fino a SIL 3 in accordo a IEC 61508. • Conforme alla direttiva ATEX 2014/34/UE, certificato ATEX A RICHIESTA. 	<p>CERTIFICATIONS</p> <ul style="list-style-type: none"> • In compliance with European Directive 2014/68/EU PED; Fugitive Emission ISO 15848 (ISO FE BH-C03-SSA 0); Ta-Luft VDI: 2440. • Safety integrity level up to SIL 3 according to the IEC 61508. • In compliance with ATEX 2014/34/EU Directive , ATEX certificate ON REQUEST.
<p>NORME DI PROGETTAZIONE</p> <ul style="list-style-type: none"> • Spessori corpo in accordo a ASME B16.34, ASME VIII div.1, EN12516. • Materiali e rating in accordo ad ASME B16.34 per valvole ANSI ed EN12516 per valvole PN. 	<p>ENGINEERING STANDARDS</p> <ul style="list-style-type: none"> • Body thickness in compliance with: ASME B16.34, ASME VIII div.1, EN12516. • Materials and rating in compliance with ASME B16.34 for ANSI valves and EN12516 for PN valves.



THOR SPLIT BODY 3 WAY 4 SEALS - PN 16-40 ANSI 150

ACCIAIO INOX STAINLESS STEEL

TABELLA DEI MATERIALI MATERIALS TABLE



**MATERIALI MATERIALS
SPLIT BODY PN16-40 ANSI 150**

N°	Descrizione Description	316 Stainless steel
1	Corpo Body	ASTM A182 F316 / A479TP316
2	Coperchio Cover	
3	Terminale Connector	
4	Sfera Ball	ASTM A351 CF8M
5	Stelo Stem	A564 TP.630 (17-4PH)
6*	Seggio Seat	PTFE Modificato Modified PTFE
7*	Tenuta inferiore stelo Stem lower sealing	PTFE Modificato Modified PTFE
8*	Pacco a V Chevron rings	PTFE Modificato Modified PTFE
9*	O-ring stelo Stem O-ring	FKM
10	Anello premi guarnizione Packing gland ring	AISI 304
11	Molle stelo Stem springs	Acciaio al carbonio zincato Zinc coated carbon steel (xx)
12	Dado stelo Stem nut	Acciaio al carbonio zincato Zinc coated carbon steel (x)
13	Piastra blocca dado Stop nut plate	304 S.S.
14	Indicatore Indicator	304 S.S.
15*	Guarnizione Corpo-Coperchio Body-Cover nut gasket	GRAFOIL
16*	Guarnizione Corpo-Terminale Body-Connector gasket	GRAFOIL
17	Tiranti Stud bolt	ASTM A193-B8
18	Dadi Nut	ASTM A194-Gr.8
19	Dispositivo antistatico Antistatic device	316 S.S.
20	Controdado Lock nut	Acciaio al carbonio zincato Zinc coated carbon steel (x)
21	Vite di fermo Holder screw	A2-70 (304 S.S.)
22	Fermo di posizione Holder screw	Acciaio al carbonio zincato Zinc coated carbon steel (x)
23	Leva Lever	Fe37 zincato - galvanized (x)

* Componenti del kit di guarnizioni Components of seals kit

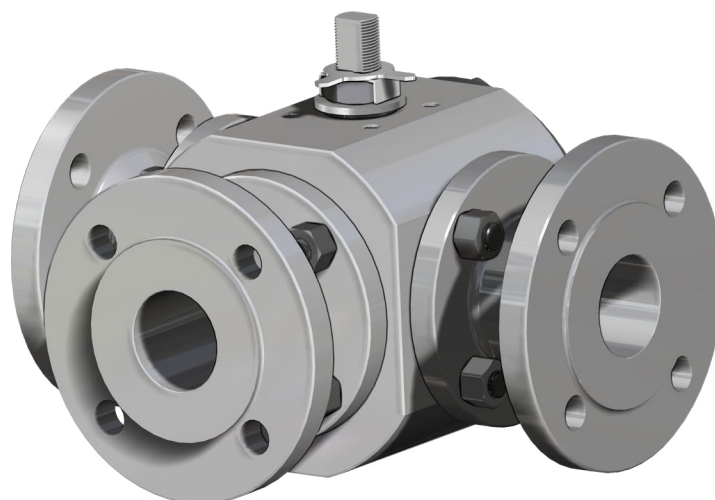
A richiesta disponibile in: Available on request:

(x): 304 s.s.

(xx): 301 s.s.



THOR SPLIT BODY 3 WAY 4 SEALS - PN 16-40 ANSI 150
ACCIAIO INOX STAINLESS STEEL
ASSE LIBERO E CON LEVA FREE SHAFT AND WITH LEVER



**CODICI VALVOLE IN ACCIAIO INOX ASSE LIBERO (V_) E CON LEVA (L_) -PN-
 STAINLESS STEEL BARE SHAFT (V_) AND LEVER (L_) OPERATED VALVE CODE -PN-**

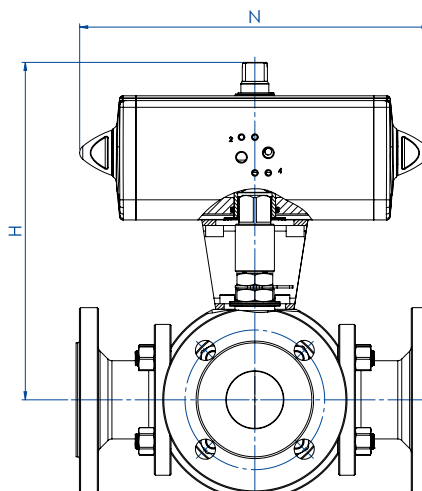
MISURA SIZE		PN	316 Stainless steel - "L" BALL	316 Stainless steel - "T" BALL
DN [mm]	[inch]			
DN 15	1/2"	PN 16-40	V/LT204F03ABA0ADQNV000	V/LT304F03ABA0ADQNV000
DN 20	3/4"	PN 16-40	V/LT205F03ABA0ADQNV000	V/LT305F03ABA0ADQNV000
DN 25	1"	PN 16-40	V/LT206F03ABA0ADQNV000	V/LT306F03ABA0ADQNV000
DN 32	1" 1/4	PN 16-40	V/LT207F03ABA0ADQNV000	V/LT307F03ABA0ADQNV000
DN 40	1" 1/2	PN 16-40	V/LT208F03ABA0AEQNV000	V/LT308F03ABA0AEQNV000
DN 50	2"	PN 16-40	V/LT209F03ABA0AEQNV000	V/LT309F03ABA0AEQNV000
DN 65	2" 1/2	PN 16	V/LT210E03ABA0AEQNV000	V/LT310E03ABA0AEQNV000
DN 80	3"	PN 16	V/LT211E03ABA0AEQNV000	V/LT311E03ABA0AEQNV000
DN 100	4"	PN 16	V/LT212E03ABA0AEQNV000	V/LT312E03ABA0AEQNV000

**CODICI VALVOLE IN ACCIAIO INOX ASSE LIBERO (V_) E CON LEVA (L_) -ANSI-
 STAINLESS STEEL BARE SHAFT (V_) AND LEVER (L_) OPERATED VALVE CODE -ANSI-**

MISURA SIZE		ANSI	316 Stainless steel - "L" BALL	316 Stainless steel - "T" BALL
DN [mm]	[inch]			
DN 15	1/2"	ANSI 150	V/LT204104ABA0ADQNV000	V/LT304104ABA0ADQNV000
DN 20	3/4"	ANSI 150	V/LT205104ABA0ADQNV000	V/LT305104ABA0ADQNV000
DN 25	1"	ANSI 150	V/LT206104ABA0ADQNV000	V/LT306104ABA0ADQNV000
DN 32	1" 1/4	ANSI 150	V/LT207104ABA0ADQNV000	V/LT307104ABA0ADQNV000
DN 40	1" 1/2	ANSI 150	V/LT208104ABA0AEQNV000	V/LT308104ABA0AEQNV000
DN 50	2"	ANSI 150	V/LT209104ABA0AEQNV000	V/LT309104ABA0AEQNV000
DN 65	2" 1/2	ANSI 150	V/LT210104ABA0AEQNV000	V/LT310104ABA0AEQNV000
DN 80	3"	ANSI 150	V/LT211104ABA0AEQNV000	V/LT311104ABA0AEQNV000
DN 100	4"	ANSI 150	V/LT212104ABA0AEQNV000	V/LT312104ABA0AEQNV000



THOR SPLIT BODY 3 WAY 4 SEALS - PN 16-40 ANSI 150
ACCIAIO INOX STAINLESS STEEL
CON ATTUATORE PNEUMATICO DA WITH DA PNEUMATIC ACTUATOR



CODICI ARTICOLI IN 316 ACCIAIO INOX -PN- ITEM CODES IN 316 STAINLESS STEEL -PN-

MISURA DN [mm]	SIZE [inch]	PN	CODICE ARTICOLO -SFERA A "L"- ITEM CODE -"L" BALL-	CODICE ARTICOLO -SFERA A "T"- ITEM CODE -"T" BALL-	ATTUATORE ACTUATOR	KIT di montaggio Mounting KIT	N [mm]	H [mm]	Kg
DN 15	1/2"	16-40	DT204F03ABA0ADQNV000AFEA0	DT304F03ABA0ADQNV000AFEA0	DAN0060412S	KCNACHD5263	198,0	185,4	8,0
DN 20	3/4"	16-40	DT205F03ABA0ADQNV000AFGA0	DT305F03ABA0ADQNV000AFGA0	DAN0106411S	KCNBCHD5398	237,0	208,3	13,4
DN 25	1"	16-40	DT206F03ABA0ADQNV000AFGA0	DT306F03ABA0ADQNV000AFGA0	DAN0106411S	KCNCCHD5317	237,0	218,8	19,7
DN 32	1" 1/4	16-40	DT207F03ABA0ADQNV000AFHA0	DT307F03ABA0ADQNV000AFHA0	DAN0120411S	KCNCCHD5317	244,1	227,0	22,5
DN 40	1" 1/2	16-40	DT208F03ABA0AEQNV000AFIA0	DT308F03ABA0AEQNV000AFIA0	DAN0180411S	KCNDDHD5319	289,9	269,5	33,3
DN 50	2"	16-40	DT209F03ABA0AEQNV000AFKA0	DT309F03ABA0AEQNV000AFKA0	DAN0360411S	KCNDDHD5319	339,3	289,0	46,8
DN 65	2" 1/2	16	DT210E03ABA0AEQNV000AFKA0	DT310E03ABA0AEQNV000AFKA0	DAN0360411S	KCNEEHD5379	339,3	321,0	65,6
DN 80	3"	16	DT211E03ABA0AEQNV000AFLA0	DT311E03ABA0AEQNV000AFLA0	DAN0480411S	KCNEFHD5322	387,6	245,9	83,4
DN 100	4"	16	DT212E03ABA0AEQNV000AFNA0	DT312E03ABA0AEQNV000AFNA0	DAN0960411S	KCNEFHD5380	479,3	402,0	120,8

CODICI ARTICOLI IN 316 ACCIAIO INOX -ANSI- ITEM CODES IN 316 STAINLESS STEEL -ANSI-

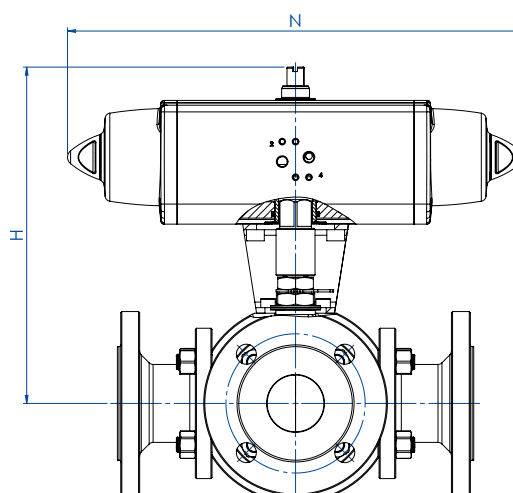
MISURA DN [mm]	SIZE [inch]	ANSI	CODICE ARTICOLO -SFERA A "L"- ITEM CODE -"L" BALL-	CODICE ARTICOLO -SFERA A "T"- ITEM CODE -"T" BALL-	ATTUATORE ACTUATOR	KIT di montaggio Mounting KIT	N [mm]	H [mm]	Kg
DN 15	1/2"	150	DT204104ABA0ADQNV000AFEA0	DT304104ABA0ADQNV000AFEA0	DAN0060412S	KCNACHD5263	198,0	185,4	7,1
DN 20	3/4"	150	DT205104ABA0ADQNV000AFGA0	DT305104ABA0ADQNV000AFGA0	DAN0106411S	KCNBCHD5398	237,0	208,3	12,3
DN 25	1"	150	DT206104ABA0ADQNV000AFGA0	DT306104ABA0ADQNV000AFGA0	DAN0106411S	KCNCCHD5317	237,0	218,8	18,9
DN 32	1" 1/4	150	DT207104ABA0ADQNV000AFHA0	DT307104ABA0ADQNV000AFHA0	DAN0120411S	KCNCCHD5317	244,1	227,0	20,1
DN 40	1" 1/2	150	DT208104ABA0AEQNV000AFIA0	DT308104ABA0AEQNV000AFIA0	DAN0180411S	KCNDDHD5319	289,9	269,5	31,5
DN 50	2"	150	DT209104ABA0AEQNV000AFKA0	DT309104ABA0AEQNV000AFKA0	DAN0360411S	KCNDDHD5319	339,3	289,0	45,3
DN 65	2" 1/2	150	DT210104ABA0AEQNV000AFKA0	DT310104ABA0AEQNV000AFKA0	DAN0360411S	KCNEEHD5379	339,3	321,0	67,4
DN 80	3"	150	DT211104ABA0AEQNV000AFLA0	DT311104ABA0AEQNV000AFLA0	DAN0480411S	KCNEFHD5322	387,6	245,9	82,8
DN 100	4"	150	DT212104ABA0AEQNV000AFNA0	DT312104ABA0AEQNV000AFNA0	DAN0960411S	KCNEFHD5380	479,3	402,0	125,7



THOR SPLIT BODY 3 WAY 4 SEALS - PN 16-40 ANSI 150

ACCIAIO INOX *STAINLESS STEEL*

CON ATTUATORE PNEUMATICO SR *WITH SR PNEUMATIC ACTUATOR*



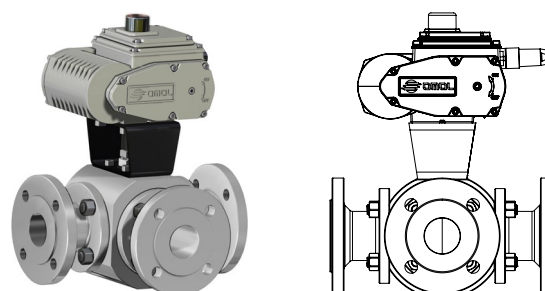
CODICI ARTICOLI IN 316 ACCIAIO INOX -PN- *ITEM CODES IN 316 STAINLESS STEEL -PN-*

MISURA	SIZE	PN	CODICE ARTICOLO -SFERA A "L"- <i>ITEM CODE -"L" BALL-</i>	CODICE ARTICOLO -SFERA A "T"- <i>ITEM CODE -"T" BALL-</i>	ATTUATORE <i>ACTUATOR</i>	KIT di montaggio <i>Mounting KIT</i>	N [mm]	H [mm]	Kg
DN [mm]	[inch]								
DN 15	1/2"	16-40	ST204F03ABA0ADQNV000AFHA0	ST304F03ABA0ADQNV000AFHA0	SRN0060401S	KCNACHD5399	338,5	202,0	9,7
DN 20	3/4"	16-40	ST205F03ABA0ADQNV000AFIA0	ST305F03ABA0ADQNV000AFIA0	SRN0090401S	KCNBDHD5400	393,7	242,5	17,1
DN 25	1"	16-40	ST206F03ABA0ADQNV000AFIA0	ST306F03ABA0ADQNV000AFIA0	SRN0090401S	KCNCDHD5329	393,7	253,0	23,4
DN 32	1" 1/4	16-40	ST207F03ABA0ADQNV000AFJAO	ST307F03ABA0ADQNV000AFJAO	SRN0120401S	KCNCDHD5329	409,6	261,1	27,0
DN 40	1" 1/2	16-40	ST208F03ABA0AEQNV000AFKA0	ST308F03ABA0AEQNV000AFKA0	SRN0180401S	KCNDDHD5383	474,0	280,0	37,7
DN 50	2"	16-40	ST209F03ABA0AEQNV000AFMA0	ST309F03ABA0AEQNV000AFMA0	SRN0360401S	KCNDEHD5330	613,0	339,0	57,5
DN 65	2" 1/2	16	ST210E03ABA0AEQNV000AFMA0	ST310E03ABA0AEQNV000AFMA0	SRN0360401S	KCNEFHD5322	613,0	351,0	76,4
DN 80	3"	16	ST211E03ABA0AEQNV000AFNA0	ST311E03ABA0AEQNV000AFNA0	SRN0480401S	KCNEFHD5392	648,2	279,0	97,0
DN 100	4"	16	ST212E03ABA0AEQNV000AFRA0	ST312E03ABA0AEQNV000AFRA0	SRN0960401S	KCNEGHD5384	828,0	441,7	146,4

CODICI ARTICOLI IN 316 ACCIAIO INOX -ANSI- *ITEM CODES IN 316 STAINLESS STEEL -ANSI-*

MISURA	SIZE	ANSI	CODICE ARTICOLO -SFERA A "L"- <i>ITEM CODE -"L" BALL-</i>	CODICE ARTICOLO -SFERA A "T"- <i>ITEM CODE -"T" BALL-</i>	ATTUATORE <i>ACTUATOR</i>	KIT di montaggio <i>Mounting KIT</i>	N [mm]	H [mm]	Kg
DN [mm]	[inch]								
DN 15	1/2"	150	ST204104ABA0ADQNV000AFHA0	ST304104ABA0ADQNV000AFHA0	SRN0060401S	KCNACHD5399	338,5	202,0	8,8
DN 20	3/4"	150	ST205104ABA0ADQNV000AFIA0	ST305104ABA0ADQNV000AFIA0	SRN0090401S	KCNBDHD5400	393,7	242,5	16,0
DN 25	1"	150	ST206104ABA0ADQNV000AFIA0	ST306104ABA0ADQNV000AFIA0	SRN0090401S	KCNCDHD5329	393,7	253,0	22,6
DN 32	1" 1/4	150	ST207104ABA0ADQNV000AFJAO	ST307104ABA0ADQNV000AFJAO	SRN0120401S	KCNCDHD5329	409,6	261,1	24,6
DN 40	1" 1/2	150	ST208104ABA0AEQNV000AFKA0	ST308104ABA0AEQNV000AFKA0	SRN0180401S	KCNDDHD5383	474,0	280,0	35,9
DN 50	2"	150	ST209104ABA0AEQNV000AFMA0	ST309104ABA0AEQNV000AFMA0	SRN0360401S	KCNDEHD5330	613,0	339,0	56,0
DN 65	2" 1/2	150	ST210104ABA0AEQNV000AFMA0	ST310104ABA0AEQNV000AFMA0	SRN0360401S	KCNEFHD5322	613,0	351,0	78,2
DN 80	3"	150	ST211104ABA0AEQNV000AFNA0	ST311104ABA0AEQNV000AFNA0	SRN0480401S	KCNEFHD5392	648,2	279,0	96,4
DN 100	4"	150	ST212104ABA0AEQNV000AFRA0	ST312104ABA0AEQNV000AFRA0	SRN0960401S	KCNEGHD5384	828,0	441,7	151,3

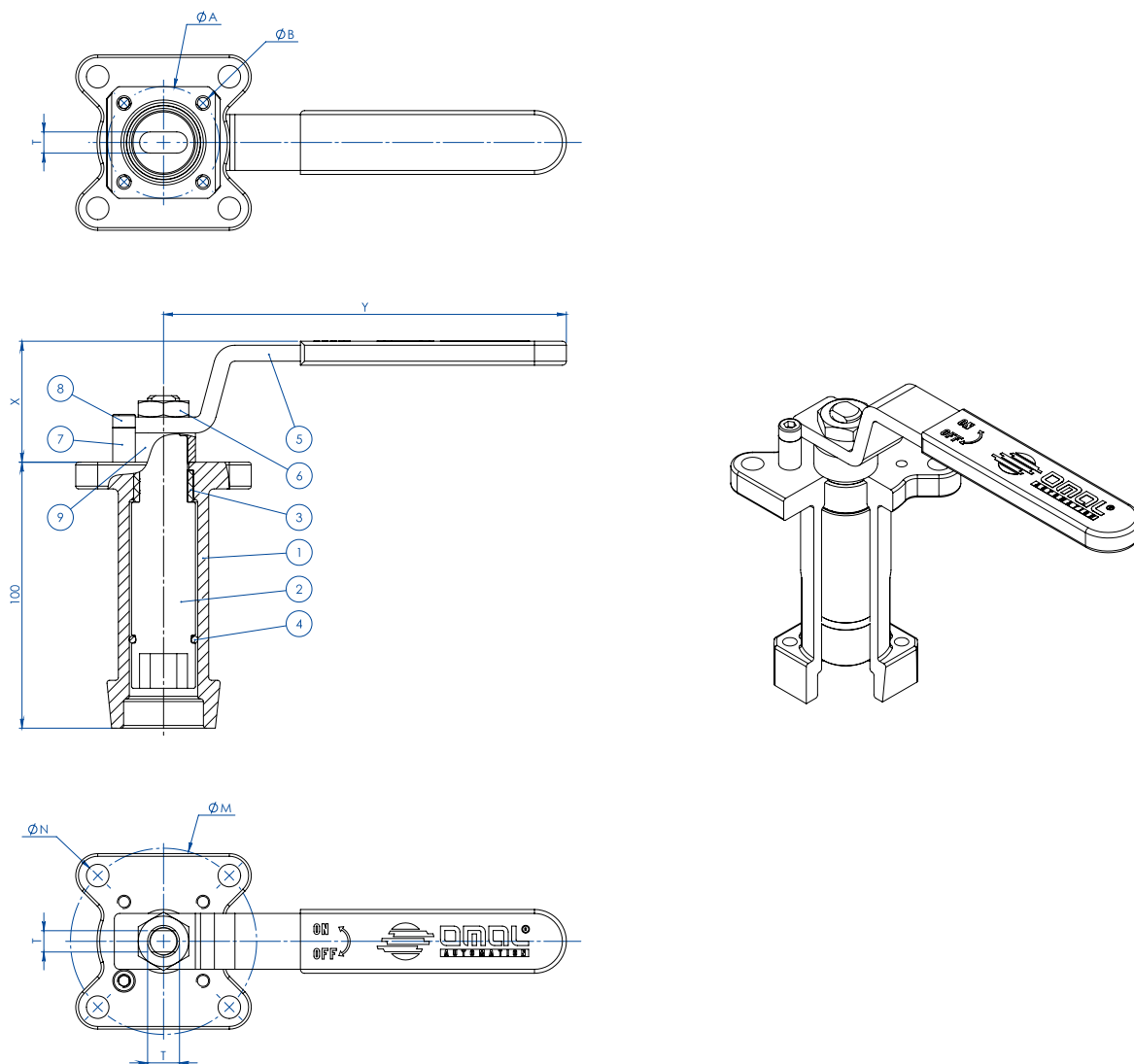
A richiesta, articoli disponibili anche con attuatore elettrico.
On request, items available also with electric actuator:





MAGNUM & THOR ACCESSORI ACCESSORIES

PROLUNGA GUIDATA DA FUSIONE A LEVA CASTING STEM EXTENSION WITH LEVER



MATERIALI MATERIALS		
PART. N°	DESCRIZIONE - DESCRIPTION	MATERIALE - MATERIAL
1	Prolunga Extension	ASTM A351 CF8M
2	Perno Pin	AISI 430 F
3	Bussola Bush	DELTRIN
4	O-RING O-RING	NBR
5	Leva Lever	Fe 37 galvanized (*)
6	Dado Nut	Galvanized carbon steel (*)
7	Fermo leva Holder Lever	Galvanized carbon steel (*)
8	Vite fermo leva Holder screw	A2-70
9	Distanziale Spacer	PTFE Carbon Filled

(*): a richiesta disponibili in 304 S.S. On request available in Aisi 304 s.s.

DIMENSIONI DIMENSIONS							
ISO VALVOLA VALVE	ØA	ØB	ØM	ØN	F/T	X	Y
F03	36	5,5	36	M5	10/6	38,5	141,5
F04	42	5,5	42	M5	12/8	45,5	151,5
F05	50	6,5	50	6,5	16/10	48,5	276,5
F07	70	8,5	70	8,5	22/14	57,5	351,5
F10	102	11	102	11	30/18	79,5	451,5

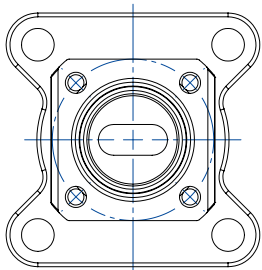
NOTA: Il codice della prolunga dipende dal tipo di azionamento e dall'attacco valvola; richiedere in fase d'ordine.

NOTE: Code of the stem extension depending from drive's type and valve's connection; to be requested at the order.

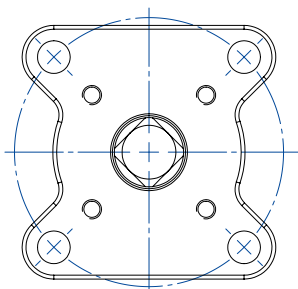
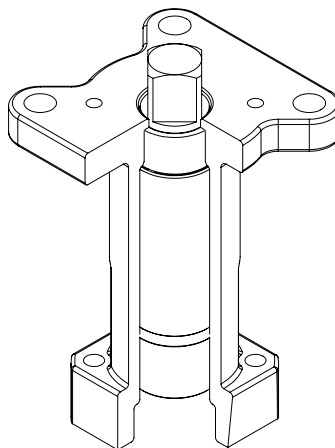
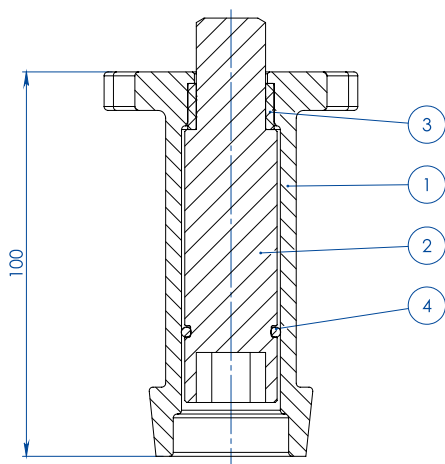


MAGNUM & THOR ACCESSORI ACCESSORIES

PROLUNGA GUIDATA DA FUSIONE PER ATTUATORE CASTING STEM EXTENSION FOR ACTUATORS



NOTA: Le dimensioni dipendono dalle dimensioni dell'attacco valvola
NOTE: Dimensions depending from valve's connection



NOTA: Le dimensioni dipendono dalla taglia dell'attuatore
NOTE: Dimensions depending from actuator's size

MATERIALI MATERIALS		
PART. N°	DESCRIZIONE DESCRIPTION	MATERIALE MATERIAL
1	Prolunga Extension	ASTM A351 CF8M
2	Perno Pin	AISI 430 F
3	Bussola Bush	DELRIN
4	O-RING O-RING	NBR

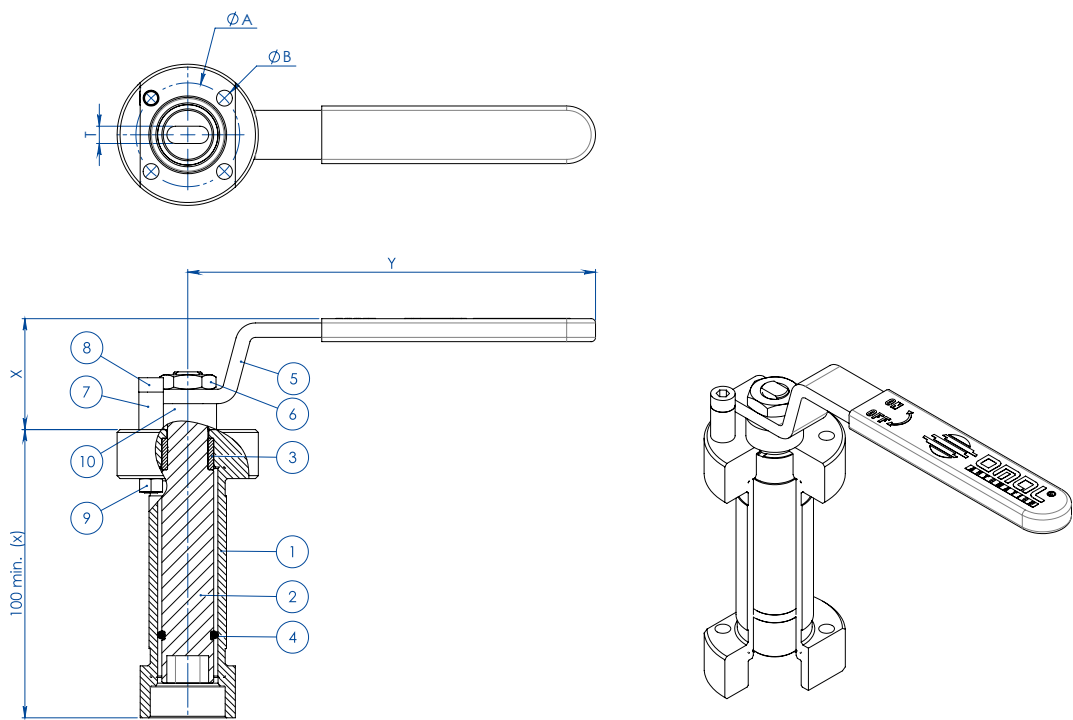
NOTA: Il codice della prolunga dipende dal tipo di azionamento e dall'attacco valvola; richiedere in fase d'ordine.

NOTE: Code of the stem extension depending from drive's type and valve's connection; to be requested at the order.

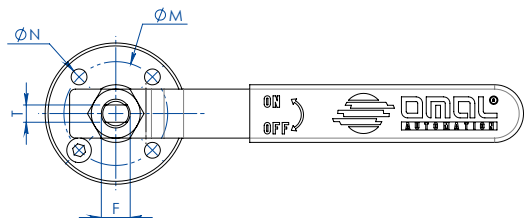


MAGNUM & THOR ACCESSORI ACCESSORIES

PROLUNGA GUIDATA SALDATA A LEVA WELDED STEM EXTENSION WITH LEVER



(x): A richiesta disponibili diverse misure
On request available different sizes



MATERIALI MATERIALS		
PART. N°	DESCRIZIONE - DESCRIPTION	MATERIALE - MATERIAL
1	Prolunga Extension	304 S.S.
2	Perno Pin	AISI 430 F
3	Bussola Bush	DELRIN
4	O-RING O-RING	NBR
5	Leva Lever	Fe 37 galvanized (*)
6	Dado Nut	Galvanized carbon steel (*)
7	Fermo leva Holder Lever	Galvanized carbon steel (*)
8	Vite fermo leva Holder screw	A2-70
9	Dado fermo leva Holder nut	A2-70 (**)
10	Distanziale Spacer	PTFE Carbon Filled

(*): a richiesta disponibili in 304 S.S. On request available in Aisi 304 s.s.

(**): non presente su valvole con attacco iso F04. No available on valves with Iso connection F04

DIMENSIONI DIMENSIONS							
ISO VALVOLA VALVE	ØA	ØB	ØM	ØN	F/T	X	Y
F03	36	5,5	36	5,5	10/6	38,5	141,5
F04	42	5,5	42	M5	12/8	45,5	151,5
F05	50	6,5	50	6,5	16/10	48,5	276,5
F07	70	9	70	9	22/14	57,5	351,5
F10	102	11	102	11	30/18	79,5	451,5

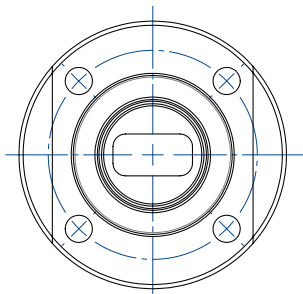
NOTA: Il codice della prolunga dipende dal tipo di azionamento e dall'attacco valvola; richiedere in fase d'ordine.

NOTE: Code of the stem extension depending from drive's type and valve's connection; to be requested at the order.

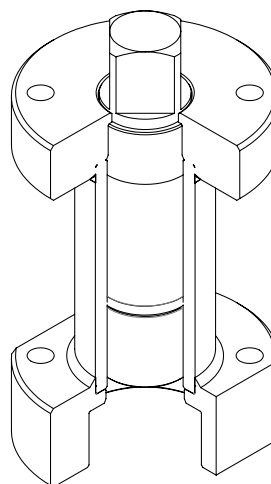
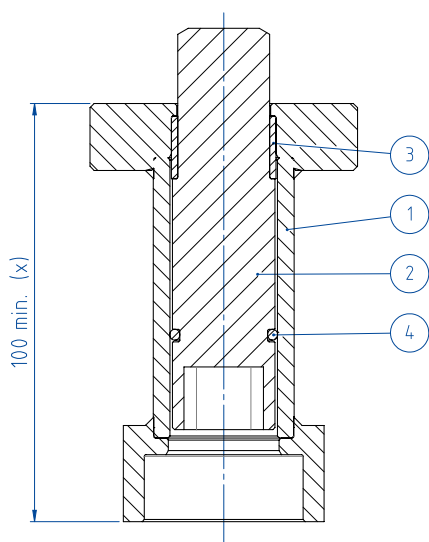


MAGNUM & THOR ACCESSORI ACCESSORIES

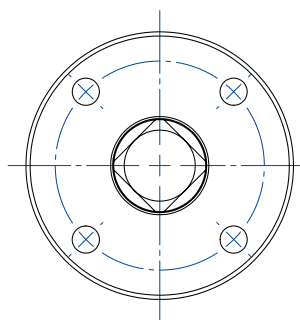
PROLUNGA GUIDATA SALDATA PER ATTUATORE WELDED STEM EXTENSION FOR ACTUATORS



NOTA: Le dimensioni dipendono dalle dimensioni dell'attacco valvola
NOTE: Dimensions depending from valve's connection



(x): A richiesta disponibili diverse misure
On request available different sizes



NOTA: Le dimensioni dipendono dalla taglia dell'attuatore
NOTE: Dimensions depending from actuator's size

MATERIALI MATERIALS		
PART. N°	DESCRIZIONE DESCRIPTION	MATERIALE MATERIAL
1	Prolunga Extension	304 S.S.
2	Perno Pin	AISI 430 F
3	Bussola Bush	DELFIN
4	O-RING O-RING	NBR

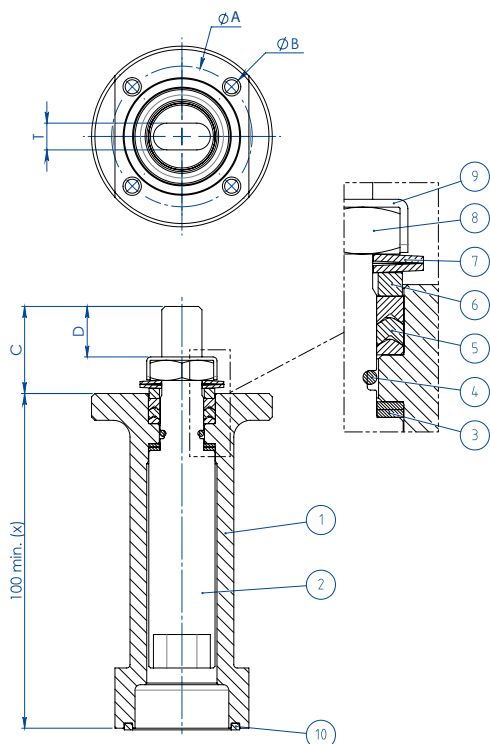
NOTA: Il codice della prolunga dipende dal tipo di azionamento e dall'attacco valvola; richiedere in fase d'ordine.

NOTE: Code of the stem extension depending from drive's type and valve's connection; to be requested at the order.

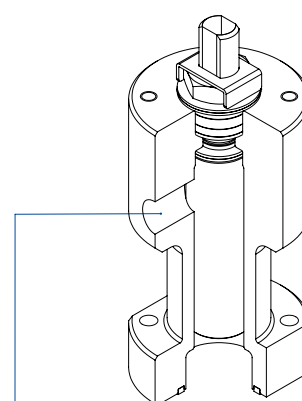
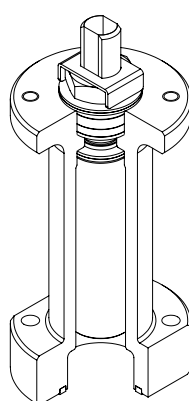


MAGNUM & THOR ACCESSORI ACCESSORIES

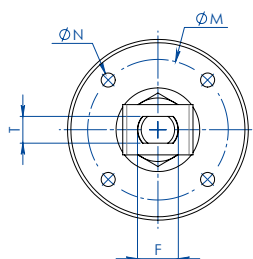
PROLUNGA CON TENUTA AGGIUNTIVA STEM EXTENSION WITH ADDITIONAL SEAL



(x): A richiesta disponibili diverse misure
On request available different sizes



A richiesta disponibile anche la versione con presa per Sniffer
Stem extension with sniffer also available on request



MATERIALI MATERIALS

PART. N°	DESCRIZIONE - DESCRIPTION	MATERIALE - MATERIAL
1	Prolunga Extension	304 s.s.
2	Perno Pin	A564 TP.630 (17-4ph)
3	Anello Antifrizione Bottom Sealing	TFM1600
4	O-Ring O-Ring	FKM
5	Pacco A V Chevron Ring	TFM1600
6	Anello Premiguarnizione Packing Gland Ring	304 s.s.
7	Molle A Tazza Spring Washer	50CrV4 Zincato - Galvanized
8	Dado Stelo Stem Nut	UNI 3740-1 6S Zincato - Galvanized
9	Piastra Blocca Dado Stop Nut Plate	304 s.s.
10	Guarnizione di tenuta Gasket	GRAFOIL

DIMENSIONI DIMENSIONS

ISO VALVOLA VALVE	ØA	ØB	ØM	ØN	F/T	C	D
F03	36	5,5	36	M5	10/6	20	10,2
F04	42	5,5	42	M5	12/8	26	15,1
F05	50	6,5	50	M6	16/10	35	21,2
F07	70	8,5	70	M8	22/14	47,5	28,4
F10	102	10,5	102	M10	30/18	61	35,2

NOTA: Il codice della prolunga dipende dal tipo di azionamento e dall'attacco valvola; richiedere in fase d'ordine.

NOTE: Code of the stem extension depending from drive's type and valve's connection; to be requested at the order.

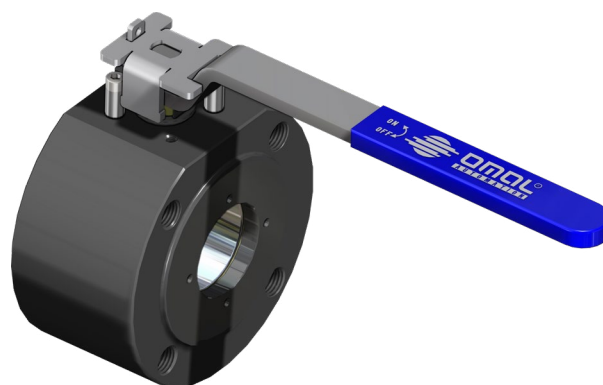




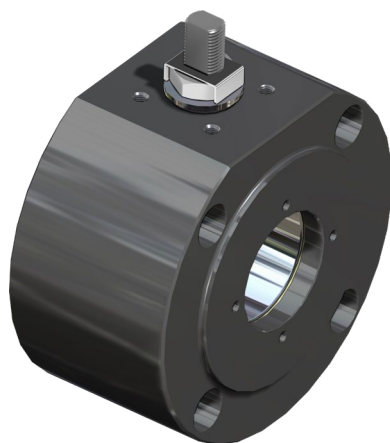
ESECUZIONI SPECIALI A RICHIESTA PER MAGNUM & THOR SPECIAL EXECUTIONS ON REQUEST FOR MAGNUM & THOR



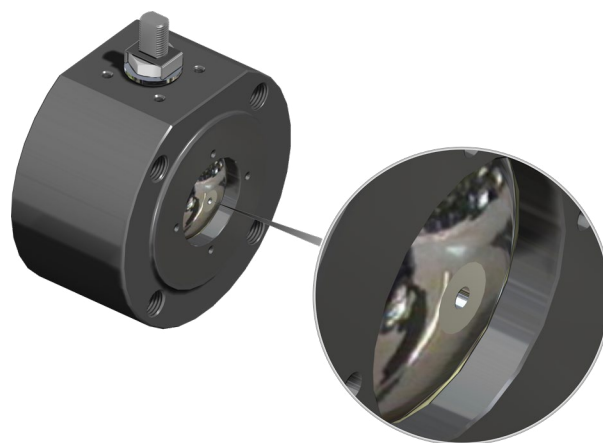
LEVA E BOX FINECORSA
LEVER AND LIMIT SWITCH BOX



DISPOSITIVO LUCCHETTABILE
LOCKING DEVICE



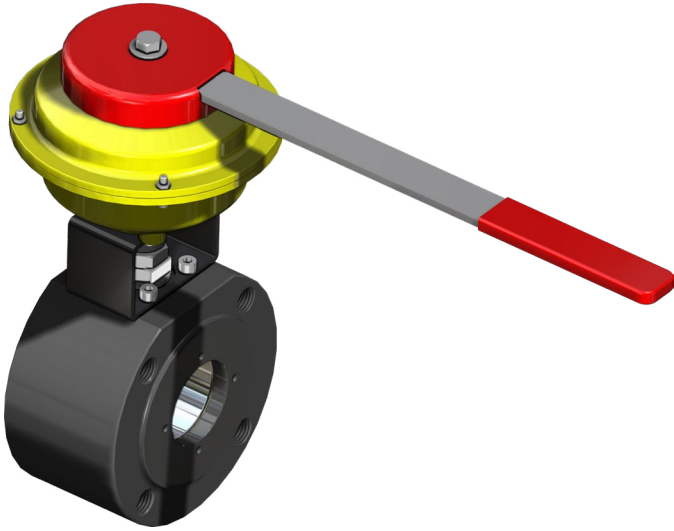
FORI LISCI PASSANTI
THROUGH HOLES



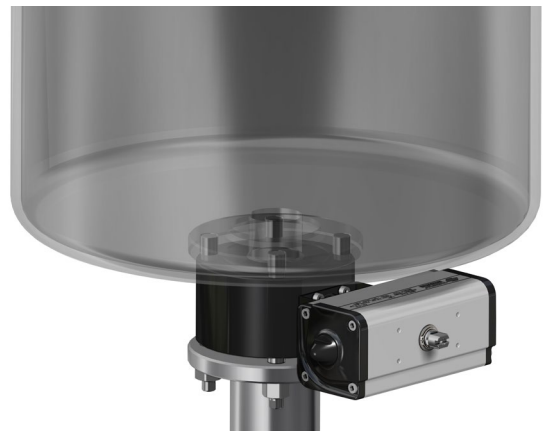
FORO DI COMPENSAZIONE
PRESSURE RELIEF HOLE



ESECUZIONI SPECIALI A RICHIESTA PER MAGNUM & THOR
SPECIAL EXECUTIONS ON REQUEST FOR MAGNUM & THOR



DEAD MAN
DEAD MAN



ESECUZIONE FONDO SERBATOIO
TANK EXECUTION



RIDUTTORE MANUALE
MANUAL GEAR-BOX



RIDUTTORE MANUALE E BOX FINECORSA
MANUAL GEAR-BOX AND LIMIT SWITCH BOX






Certificate of Authority to use the Official API Monogram

License Number: 6D-1007 **ORIGINAL**

The American Petroleum Institute hereby grants to

OMAL SPA
Via Ponte Nuovo, 11
Rodengo Saiano, Brescia
Italy

the right to use the Official API Monogram® on manufactured products under the conditions in the official publications of the American Petroleum Institute entitled API Spec Q1® and **API-6D** and in accordance with the provisions of the License Agreement.

In all cases where the Official API Monogram is applied, the API Monogram shall be used in conjunction with this certificate number: **6D-1007**

The American Petroleum Institute reserves the right to revoke this authorization to use the Official API Monogram for any reason satisfactory to the Board of Directors of the American Petroleum Institute.

The scope of this license includes the following: Ball Valves

QMS Exclusions: No Exclusions Identified as Applicable

Effective Date: AUGUST 13, 2022
Expiration Date: AUGUST 13, 2025

Anchal Liddar
Senior Vice President of Global Industry Services

To verify the authenticity of this license, go to www.api.org/compositelist.

▲ **API 6D (Valvole Split Body THOR Split Body THOR valves)**

Certificazione del Sistema di Qualità applicato per la progettazione, fabbricazione, ispezione finale e la prova di valvole a sfera per impianti del settore del petrolio e dal gas naturale in accordo allo standard API6D ed autorizzazione all'applicazione del Monogramma API da parte dell'American Petroleum Institute.

Certification of the Quality Management System operated by OMAL for the design, manufacture, final inspection and tests of ball valves for installations in the sector of oil and natural gas according to the API6D Spec. and license by American Petroleum Institute to the API monogram application.



CERTIFICATE

This certifies, that the company

Omial S.p.A.
Via Ponte Nuovo, 11
25050 Rodengo Saiano (BS)
Italy

Is authorized to provide the product mentioned below

Description of product: **2-ways wafer, split wafer and split body floating ball valve series
Magnum, Thor**

In accordance with: **EN 61508:2010 Parts 1, 2, 4, 5, 6, 7**

Registration No 20 20534 02
Test Report No FS-23789-23-M-06
File reference 23789-06

Fabrizio

TUV NORD Italia S.r.l. (TUV NORD Group)
Via Turati, 13
20023 Cerro Maggiore (MI)



Validity from 2023-07-29 until 2026-07-29

Cerro Maggiore, 2023-07-29
product@tuev-nord.it

Please also pay attention to the information stated overleaf

TUV-QP(ND-SIL-01)-14-Rev01_01_2020-Certificate_Type A

▲ **SIL**

Certificazione di conformità alla norma IEC 61508, del livello di sicurezza funzionale del prodotto destinato ad essere integrato in sistemi con un livello di integrità funzionale fino a SIL 3.

Certification of compliance to the IEC 61508 requirements, of the functional safety level provided by the product intended to be integrated in systems with required safety integrity level up to SIL 3.





Appareil non électrique destiné à être utilisé en atmosphères explosibles
Non electrical equipment intended for use in potentially explosive atmospheres
Apparecchi non elettrici destinati ad essere utilizzati in atmosfera potenzialmente esplosiva

Directive 2014/34/EU
Directive 2014/34/UE / Direttiva 2014/34/UE

ACCUSÉ DE RECEPTION D'UN DOSSIER TECHNIQUE

ACKNOWLEDGE RECEIPT OF TECHNICAL DOCUMENTATION
AVVISO DI RICEVIMENTO DEL FASCICOLO TECNICO

Appareil / Equipment / Apparecchiatura : **BALL VALVES**

Type(s) / Type(s) / Tipi(i) : **Wafer type, Split body type, Split Wafer type steel ball valves / Two-piece, Three-piece steel ball valve High-pressure - threaded ends / Two-piece brass ball valves threaded ends**

Marquage / Marking / Marcatura :  **II 2 GD**

Dépositaire / Applicant / Richiedente : **OMAL S.p.A.**
Via Ponte Nuovo 11
25050 Rodengo Saiano (BS)

L'INERIS, organisme notifié et identifié sous le numéro 0080, conformément aux articles 17 et 21 de la Directive du Conseil 2014/34/UE du 26 février 2014, accuse réception du dossier conformément à la procédure décrite au chapitre 3, article 13 (1) b) ii) de la Directive.

L'INERIS, notified body and identified under number 0080, in accordance with articles 17 and 21 of Council Directive 2014/34/UE of the 26 February 2014, acknowledges receipt of file according to the procedure described in chapter 3, article 13 (1) b) ii) of the Directive.

L'INERIS, organismo notificato e identificato con il n.0080 conformemente agli articoli 17 e 21 della Direttiva 2014/34/UE del Consiglio dell'Unione Europea del 26 febbraio 2014, conferma il ricevimento del fascicolo della documentazione tecnica, in conformità alla procedura prevista nella rubrica 3, articolo 13 (1) b) ii) della Direttiva.

La documentazione technique référencée : VS-19 dated 10/10/2019
est consignée sous le numéro d'enregistrement : n° INERIS-EQEN 035241/19.
Dans le cadre de cet enregistrement, INERIS n'a pas examiné le contenu de la documentation technique.

The technical documentation referenced : VS-19 dated 10/10/2019
is assigned under the reference : n° INERIS-EQEN 035241/19.
Within the scope of the recording, INERIS did not examine the content of the technical documentation.

La documentazione tecnica di riferimento : VS-19 dated 10/10/2019
è depositata con il numero di registrazione : n° INERIS-EQEN 035241/19.
Nel quadro di questa registrazione, INERIS non ha esaminato il contenuto della documentazione tecnica.

Date de fin de validité : 2029.11.07
Validity completion date : 2029.11.07
Date di fine di validità : 2029.11.07

Le Directeur Général de INERIS, Par délégation, The Chief Executive Officer of INERIS, By delegation, Il Direttore generale dell' INERIS, Per Delega,


Ce document ne peut être reproduit que dans une intégralité / Only the entire document may be reproduced / Questo documento può essere riprodotto solo integralmente

INERIS - Parc Technologique Alata - BP 2 - F-60550 Verneuil-en-Halatte
tél : +33(0)3 44 55 66 77 fax : +33(0)3 44 55 66 99 internet : www.ineris.fr
Institut national de l'environnement industriel et des risques
Établissement public à caractère industriel et commercial - RCS Compilège 3 381 964 924 - Siret 381 964 921 00019 - APE 7120Z - TVA Intracom FR 73 361 964 921

▲ **ATEX**

Dichiarazione che il Sistema di Qualità applicato per la progettazione, fabbricazione, ispezione finale e la prova di valvole industriali è in accordo con i requisiti della Direttiva ATEX per apparecchiature destinate all'impiego in ambienti con atmosfera potenzialmente esplosiva.

Declaration that the Quality Management System operated by OMAL for the design, manufacture, final inspection and tests of industrial valves is in compliance with the Directive ATEX for equipment intended to be used in potentially explosive atmospheres.

Scegli la certifica.
Aggiungi valore.

FUGITIVE EMISSION CERTIFICATE

CERTIFICATE NUMBER: FG-063579-647

CLIENT: OMAL
ADDRESS: Via Ponte Nuovo, 11 25050 Rodengo Saliano (BS) - Italy

REPORT NUMBER: 38

SCOPE OF REPORT: Fugitive Emission test carried out according to: ISO 15848-1 Edition 2015

max BAR: 100,0 Bar
max °C: +200°C

QUALIFIED VALVE: Size: 1 1/2 (Stem Dia. 23mm)
Rating Class: ANSI 600
Drawing N°: Y_4700
Type: SPLIT BODY BALL VALVE

RANGE AND TYPE OF VALVES COVERED: ISO FE BH-C03-SSA0-4(-29°C, 200°C)-ANSI600-ISO 15848-1
In accordance with ISO 15848, we also extend the certification to valve with same stem and body seals material, design (shape) and construction, with stem size 50% lower and 200% higher than stem tested.
Paragraph 8 e): Stem tested Ø23 mm => Ø11.5 mm ≤ Stem certified ≤ Ø46 mm
Paragraph 8 f): Pressure SANSI600
The valve certified in accordance with paragraph 8 e) & 8 f) are:
From DN15 FB to DN 100 FB , ANSI ≤ cl.600 and PN ≤ 100 of series M4, T1.
From DN20 RB to DN150 RB , ANSI ≤ cl.600 and PN ≤ 100 of series T1.

TUV INSPECTOR: Mastroiacomo Simone
Certi: PE/EL/IS Name: [Signature]
Witness: [Signature]

CERTIFICATION DATE: 07/09/2015

MANAGEMENT OF INSPECTION SERVICE: Freochiamì Mauro

TUV Italia s.r.l. - TÜV SÜD Group

▲ FUGITIVE EMISSION

Certificazione di conformità ai requisiti di non emissione verso l'esterno di sostanze nocive, in accordo con la norma UNI EN ISO 15848-1, per applicazione con fluidi volatili inquinanti e pericolosi.
Certification in compliance with UNI EN ISO 15848-1 requirements of non-emission of harmful substances to the outside, referring to volatile air pollutants and hazardous fluids applications.



FULL QUALITY ASSURANCE CERTIFICATE

Certificate No.: C539622 Initial date: 01 January, 2023 Validity: 01 January, 2023 – 31 December, 2025
This certificate consists of 2 pages

This is to certify that the quality system of:
OMAL S.p.A.
Via Ponte Nuovo, 11 - 25050 Rodengo Saiano (BS) - Italy

has been assessed and found to comply with respect to the conformity assessment procedure described in:
ANNEX III MODULE H OF DIRECTIVE 2014/68/EU ON PRESSURE EQUIPMENT

This certificate is valid for the following scope:
Type of Pressure Equipment: Pressure Accessory
Product Name: Ball valves, high pressure ball valves, butterfly valves, pneumatic valves.

Place and date: Vimercate, 03 December, 2022

Check Validity: [QR Code]

ACCREDIA
ENIT (EUROPEAN UNION) ACCREDITED

For the issuing office:
Notified Body 0496, Italy
DNV Business Assurance Italy S.r.l.
Nicola Privato
Management Representative

Lack of fulfillment of conditions as set out in the Certification Agreement may render this Certificate invalid.
NOTIFIED BODY 0496: DNV Business Assurance Italy S.r.l. Via Energy Park, 14, 20871 Vimercate (MB), Italy. Tel: 039 09 99 900. www.dnv.com ICP-4-5-PEE-09-ver.0

▲ PED

Certificazione del Sistema di Qualità applicato per la progettazione, fabbricazione, ispezione finale e la prova di valvole industriali in accordo con i requisiti della Direttiva PED.
OMAL operated Quality Management System Certificate for the design, manufacture, final inspection and tests of industrial valves in accordance with PED Directives



Scegli la certifica.
Aggiungi valore.

FIRE SAFE CERTIFICATE

CERTIFICATE NUMBER: FS-063579-228

CLIENT: OMAL
ADDRESS: Via Ponte Nuovo, 11 25050 Rodengo Saliano (BS)- Italy

REPORT NUMBER: 1253

SCOPE OF REPORT: Fire Safe test carried out according to: API 607 Sixth Edition September 2010, ISO 10497 Third Edition September 2010

max BAR: 114,9 Bar
max °C: +922°C

QUALIFIED VALVE: Size: 2"
Rating Class: PN63
Drawing N°: Y_2156
Model: V587V/M4 (MAGNUM)
Type: FLOATING BALL VALVE SPLIT WAFER

RANGE AND TYPE OF VALVES COVERED: NPS 2" and below, 2 1/2", 3", 4" (DN 50 and below, 65, 80, 100)
Class 300; 600 (PN 63, 100)

TUV INSPECTOR: Freochiamì Mauro

CERTIFICATION DATE: 12/02/13

MANAGEMENT OF INSPECTION SERVICE: Freochiamì Mauro

TUV Italia s.r.l. - TÜV SÜD Group

▲ FIRE SAFE

Certificazione della capacità di tenuta di una valvola in pressione, durante e dopo la prova di resistenza al fuoco in accordo con le norme API607/ISO 10497
Certification of compliance of the sealing capability of a valve in pressure during and after the fire type-testing according to API607/ISO 10497 standards





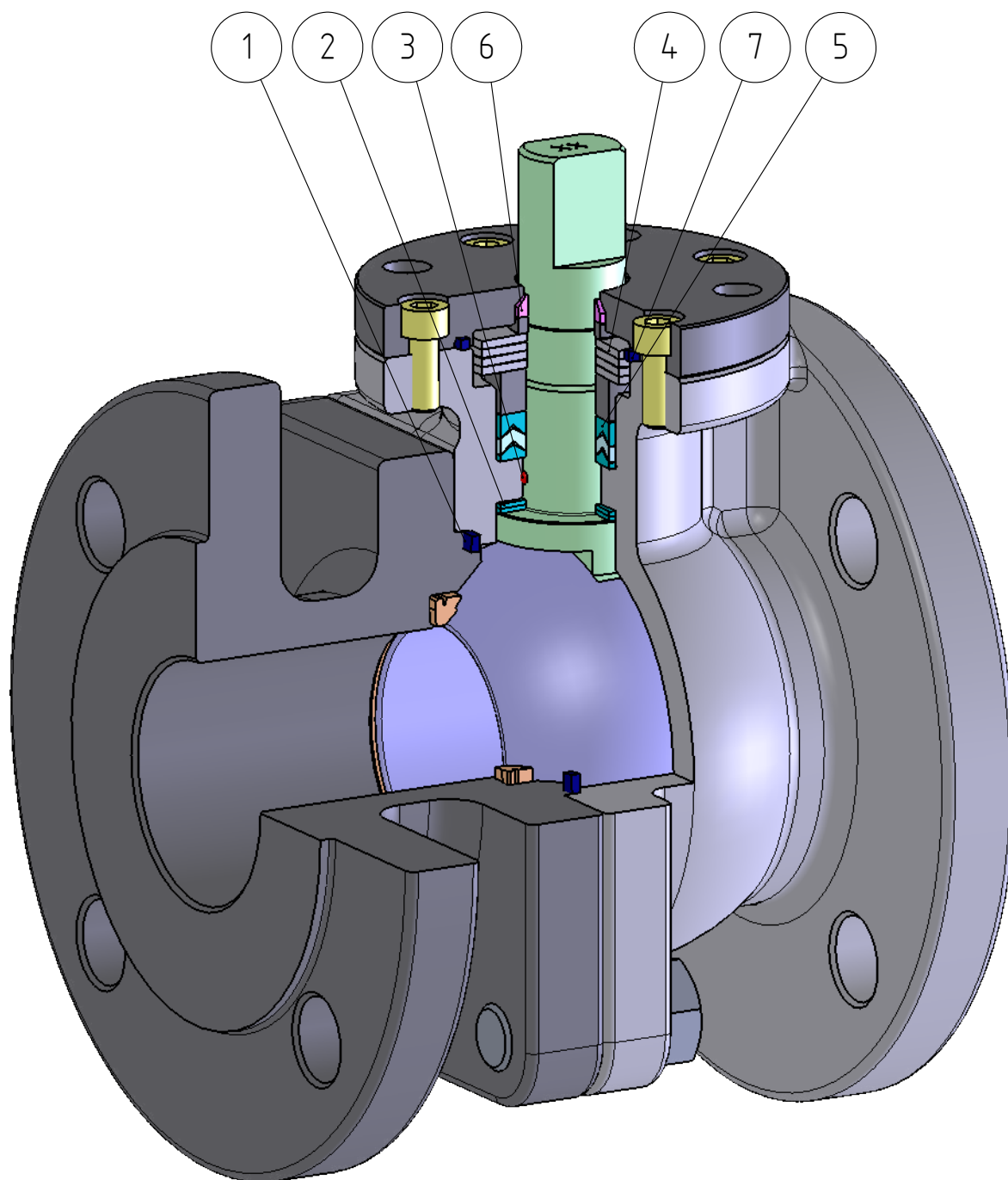
1.2

PROCHEMIE 60



PROCHEMIE 60

VALVOLE A SFERA PER L'INDUSTRIA CHIMICA
BALL VALVES FOR CHEMICAL INDUSTRY





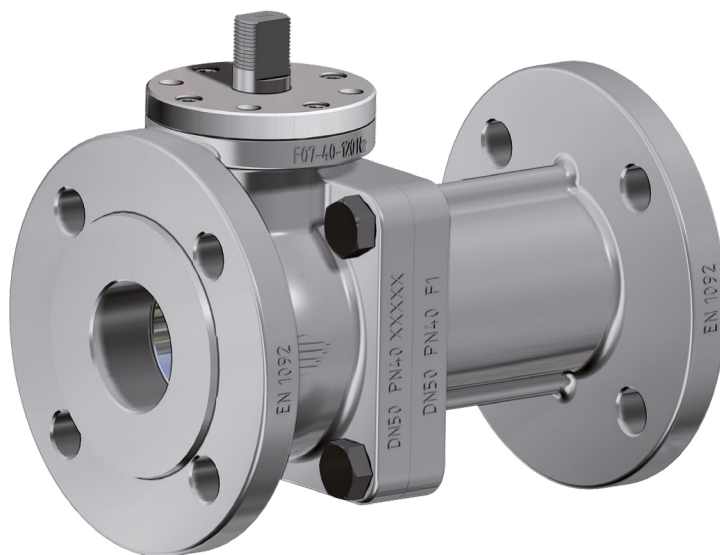
FEATURES & BENEFITS

1	Tenuta elasticizzata in grafite <i>Stretch Graphite seal</i>	Garantisce una tenuta indipendente dalle escursioni termiche a cui è sottoposta la valvola. <i>Tightness towards outside is granted, independently by the thermal excursions to which the valve is subjected.</i>
2	Doppio anello antifrizione <i>Double antifriction washer</i>	Garantisce una minor coppia di azionamento della valvola. <i>Minor Break Away Torque.</i>
		Minor usura rispetto all'esecuzione con singolo anello. <i>Minor wear comparing with the execution with the single washer.</i>
3	Antistatic device (continuità elettrica tra sfera, stelo e corpo) <i>Antistatic device (electrical continuity between ball, stem and body)</i>	Si evita l'elettricità statica che può causare scintille in un ambiente esplosivo o infiammabile. <i>Static electricity which can cause sparks and fire in an inflammable/explosive environment is avoided.</i>
		Sicurezza garantita del contatto durante tutta la vita della valvola. <i>Contact safety throughout the entire life of the valve.</i>
4	Molle a tazza con precarico indipendente <i>Spring washers with independent preload</i>	Il precarico delle molle a tazza è indipendente dalla rotazione dell'albero: l'abrasione del pacco-guarnizioni a "V" è quindi ulteriormente ridotta, garantendo un'elevata ciclicità alla valvola. <i>Preload of spring washer is independent from shaft rotation. In this way the weariness of V-sealing is avoided and the high cyclicity of the valve is guaranteed.</i>
		Consentono di mantenere energizzate le guarnizioni tipo "chevron" (a V), evitando perdite verso l'esterno, a fronte di notevoli escursioni termiche. <i>Allows to maintain the "chevron" seals (V) energized, avoiding any leakage to the outside, against huge temperature excursions.</i>
5	Pacco guarnizioni a "V" con tre guarnizioni più o-ring <i>"V" seals pack; 3 seals</i>	Si garantisce una perfetta tenuta anche dopo un numero elevato di cicli. <i>It ensures a perfect tightness even after a high number of cycles.</i>
6	Boccola a stelo <i>Stem bushing</i>	Ulteriore guida a stelo <i>Additional stem guide</i>
6/7	Guarnizione coperchio + boccola stelo <i>Cover Sealing + Stem bushing</i>	Camera di tenuta secondaria indipendente dal pacco Chevron <i>Secondary sealing independent from Chevron packing</i>
	Maggior precisione nell'allineamento degli assi grazie alla lavorazione dal grezzo al finito con un unico posizionamento. <i>Greater precision in the alignment of axes due to a unique positioning in the process machining from raw material to finished valve</i>	Maggior vita della valvola stessa. <i>Longer lifetime of the valve.</i>
		Minor coppia in azionamento. <i>Minor break away torque.</i>
	Facile manutenibilità direttamente sull'impianto <i>Easy maintainance directly on site</i>	Contenimento dei costi durante la fase di manutenzione. <i>Reduced maintainance costs.</i>
	Certificato "Fire safe" <i>"Fire safe" Certificate</i>	Garantisce la tenuta della valvola anche in caso di incendio. <i>Guarantees the tightness of the valve also in case of fire.</i>
	Certificato ATEX <i>ATEX Certificate</i>	Ne consente l'installazione in presenza di ambiente potenzialmente esplosivo. <i>Installation is possible in a potential explosive environment.</i>
	Certificazione TA LUFT fugitive emission <i>TA LUFT fugitive emission Certificate</i>	Garantisce un elevato grado di sicurezza della tenuta verso l'esterno. <i>High tightness safety level to the outside granted by the seals.</i>
	Certificato PED <i>PED Certificate</i>	Piena conformità alle norme di sicurezza europee per i dispositivi in pressione. <i>Full compliance with European Safety Standards for Pressure Equipment.</i>
	Certificazione AD2000 <i>AD2000 Certificate</i>	In accordo con gli standard tedeschi. <i>Compliance for German Standard.</i>
	Certificato fino a SIL 3 <i>UP to SIL 3 certified</i>	Elevato livello di sicurezza funzionale. <i>Guarantee of the high level of functional safety.</i>



PROCHEMIE 60 SPLIT-BODY PN16-40

ACCIAIO INOX STAINLESS STEEL



CARATTERISTICHE GENERALI

- Valvole specificatamente progettate per l'industria della chimica;
- Sfera flottante, passaggio totale;
- Tenuta soft-seat RPTFE;
- Norme per flange d'attacco: EN 1092-1;
- Classe di pressione: PN16-40;
- Scartamento: short and long pattern;
- Antistatic device EN12662-2;
- Tenuta stelo: pacco a V;
- Stelo anti espulsione;
- Foratura piano per attuatore a norma ISO 5211;
- Angolo di chiusura >7°;
- Temperatura di utilizzo: -40°C +150°C;

ESECUZIONI A RICHIESTA

- PROCHEMIE con seggi in PTFE+25% C.F. (Temperatura di utilizzo: -40°C +200°C);
- PROCHEMIE con seggi in PTFE Modificato (Temperatura di utilizzo: -40°C +150°C);
- Leva con lucchettaggio e Prolunga stelo;
- Per altri tipi di esecuzione contattare il nostro ufficio commerciale;

CERTIFICAZIONI

- Conforme alle direttive europee PED 2014/68/EU; AD2000 HP0/A4;
- Fugitive Emission UNI EN ISO 15848, (ISO-FE-AH-C03-SSA); TA-LUFT (60000 cicli) VDI 2440;
- FIRE SAFE: ISO 10497 Third ed. 2010 / API 607 Sixth ed. 2010 (DN150 SOLO FIRE SAFE DESIGN);
- Fino a SIL 3 - IEC 61508;
- Conforme alla direttiva ATEX 2014/34/UE, certificato ATEX A RICHIESTA; EAC;

NORME DI PROGETTAZIONE

- Spessori corpo in accordo a: ASME B16.34, ASME VIII div.1, EN 12516; PAS 1085;

STANDARD FEATURES

- Valve specifically designed for chemical industry;
- Floating ball, full bore;
- Soft-seat seal RPTFE;
- Standard for connecting flanges: EN 1092-1;
- Pressure class: PN16-40;
- Face-to-face dimension: short and long pattern;
- Antistatic device EN12662-2;
- Stem seal: V-ring packing;
- Anti Blow-out stem;
- Actuator connection as per ISO 5211 standard;
- Closing angle >7°;
- Operating temperature: -40°C +150°C;

FEATURES ON REQUEST

- PROCHEMIE with PTFE+Carbon filled seats (Operating temperature: -40°C +200°C);
- PROCHEMIE with Modified PTFE seats (Operating temperature: -40°C +150°C);
- Lever with Locking Device and Stem extension;
- For further executions please contact our Sales Department;

CERTIFICATIONS

- In compliance with the European Directive PED 2014/68/EU; AD2000 HP0/A4;
- Fugitive Emission UNI EN ISO 15848, (ISO-FE-AH-C03-SSA); TA-LUFT (60000 cycles) VDI 2440;
- FIRE SAFE: ISO 10497 Third ed. 2010 / API 607 Sixth ed. 2010 (DN150 ONLY FIRE SAFE DESIGN);
- Up to SIL 3 - IEC 61508;
- In compliance with the 2014/34/EU ATEX Directive, ATEX certificate ON REQUEST;
- EAC;

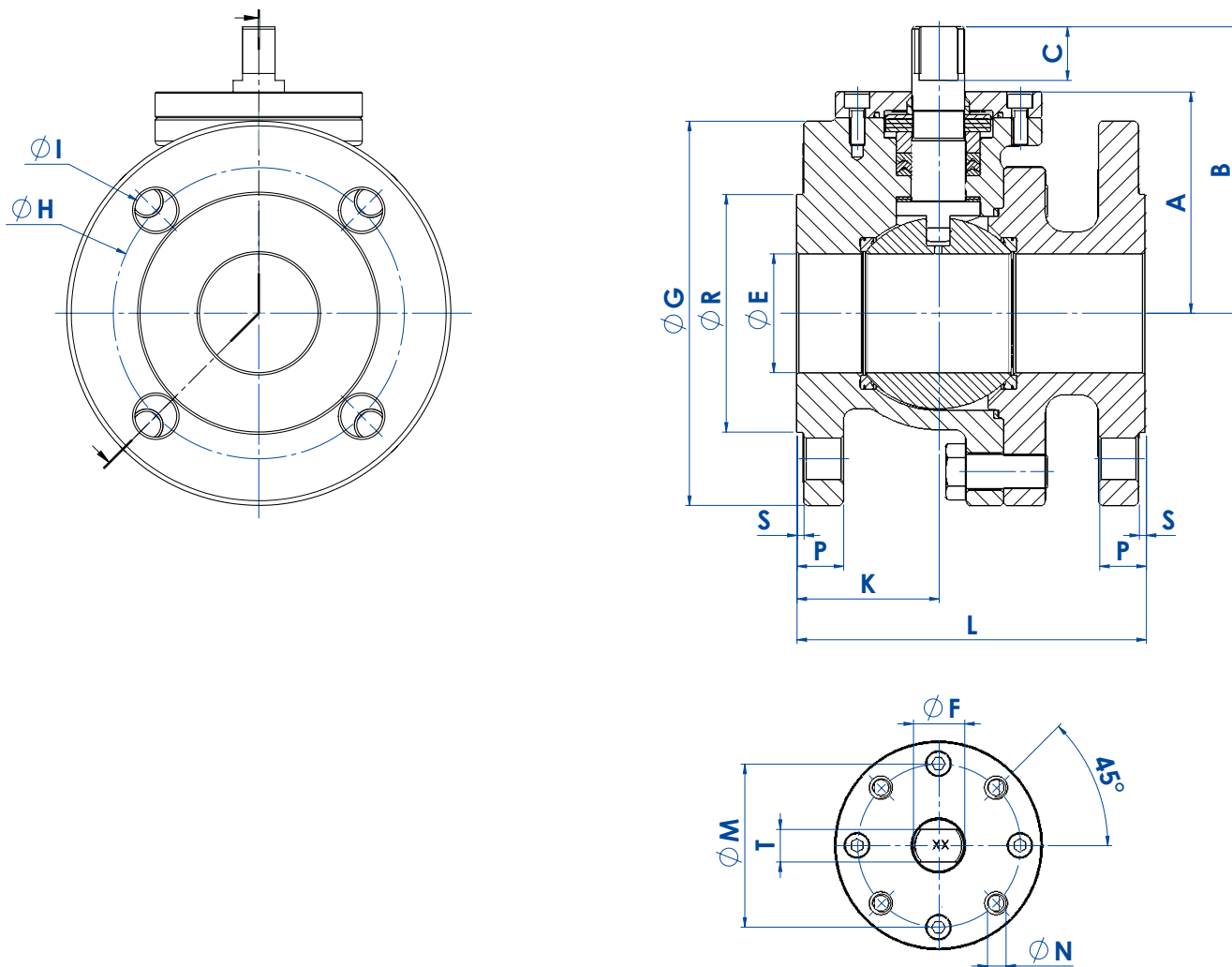
ENGINEERING STANDARD

- Body thickness in compliance with: ASME B16.34, ASME VIII div.1, EN 12516; PAS 1085;



PROCHEMIE 60 SPLIT-BODY PN16-40

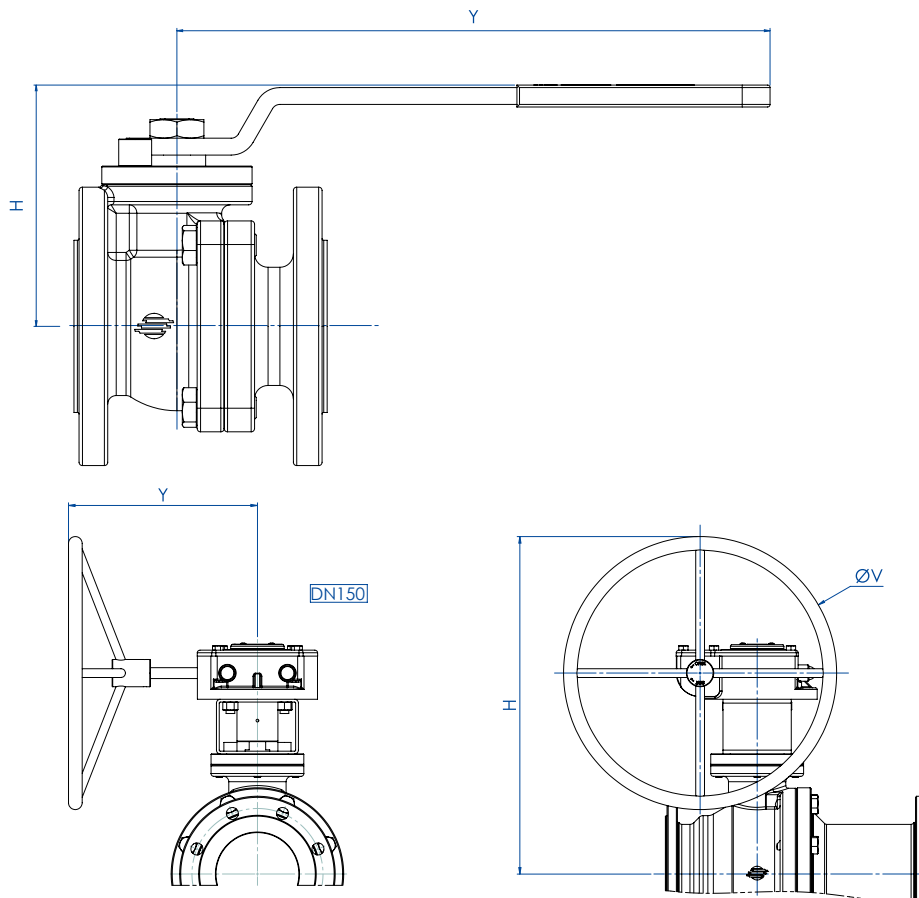
PROCHEMIE 60



MISURA SIZE		DIMENSIONI DIMENSIONS																			PESO WEIGHT	
DN [mm]	[inch]	PN	ØE	A	B	C	ØG	ØR	S	P	ØH	FORI HOLES	ØI	ISO 5211	ØM	ØN	ØF/T	K	L (F1)	L (F4)	Kg (F1)	Kg (F4)
DN 15	1/2"	16-40	13	47	61	12	95	45	2	16	65	4	14	F04	42	M5	12/8	48	130	115	2,93	2,86
DN 20	3/4"	16-40	19	50	64	12	105	58	2	18	75	4	14	F04	42	M5	12/8	51	150	120	3,62	3,56
DN 25	1"	16-40	25	62	79	15	115	68	2	18	85	4	14	F05	50	M6	16/10	49	160	125	4,73	4,63
DN 32	1" 1/4	16-40	32	67	84	15	140	78	2	18	100	4	18	F05	50	M6	16/10	52	180	130	7,13	6,55
DN 40	1" 1/2	16-40	38	85,5	113,5	23	150	88	3	18	110	4	18	F07	70	M8	22/14	55	200	140	11,5	10,9
DN 50	2"	16-40	51	95	123	23	165	102	3	20	125	4	18	F07	70	M8	22/14	61	230	150	13,6	12,6
DN 65	2" 1/2	16	64	131	164	30	185	122	3	18	145	4	18	F10	102	M10	30/18	71	290	170	22,2	18,7
		22								8											18	24,3
DN 80	3"	16-40	76	138	171	30	200	138	3	24	160	8	18	F10	102	M10	30/18	78	310	180	29	26
DN 100	4"	16	102	168	201	30	220	158	3	20	180	8	18	F10	102	M10	30/18	96	350	190	38,1	32,6
		235					162	24		190	8	22	94					43,8			37,8	
DN 150	6"	16	152	220	262,5	35	285	212	3	22	240	8	22	F14	140	M16	45/30	168	480	---	98,5	---



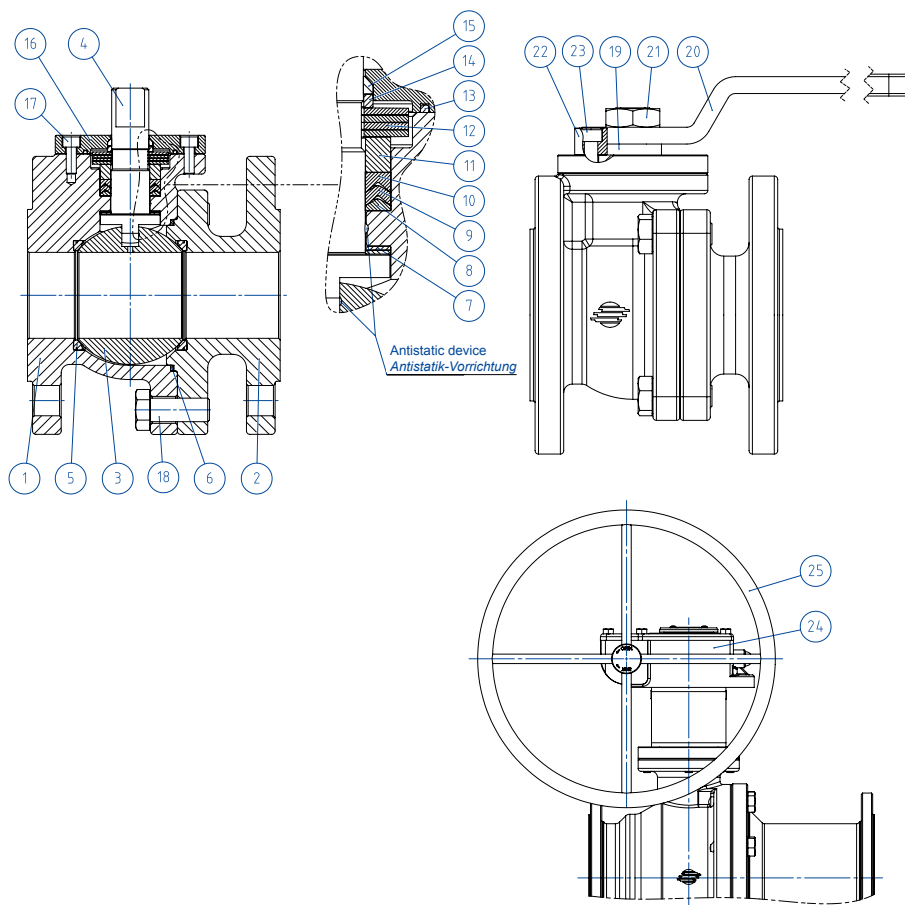
PROCHEMIE 60 SPLIT-BODY PN16-40



MISURE SIZE		PN	SCARTAMENTO FACE TO FACE	CODICE ARTICOLO ITEM CODE	H	Y	ØV	KIT LEVA LEVER KIT
DN [mm]	[inch]							
DN 15	1/2"	16/40	F4	LP004F000A0000N000	82	152	---	KLVVP004
			F1	LP004F100A0000N000				
DN 20	3/4"	16/40	F4	LP005F000A0000N000	85	152	---	KLVVP004
			F1	LP005F100A0000N000				
DN 25	1"	16/40	F4	LP006F000A0000N000	102	277	---	KLVVP006
			F1	LP006F100A0000N000				
DN 32	1" 1/4	16/40	F4	LP007F000A0000N000	107	277	---	KLVVP006
			F1	LP007F100A0000N000				
DN 40	1" 1/2	16/40	F4	LP008F000A0000N000	132	352	---	KLVVP008
			F1	LP008F100A0000N000				
DN 50	2"	16/40	F4	LP009F000A0000N000	142	352	---	KLVVP008
			F1	LP009F100A0000N000				
DN 65	2" 1/2	16	F4	LP010E000A0000N000	195	452	---	KLVVP010
			F1	LP010E100A0000N000				
		25/40	F4	LP010I000A0000N000	195	452	---	KLVVP010
			F1	LP010I100A0000N000				
DN 80	3"	16/40	F4	LP011F000A0000N000	203	452	---	KLVVP010
			F1	LP011F100A0000N000				
DN 100	4"	16	F4	LP012E000A0000N000	233	452	---	KLVVP010
			F1	LP012E100A0000N000				
		25/40	F4	LP012I000A0000N000	233	452	---	KLVVP010
			F1	LP012I100A0000N000				
DN 150	6"	16	F1	RP014E100A0000N000	618	346	500	*RRM011G00Q36001004 + SG500 Kit: KCF145596



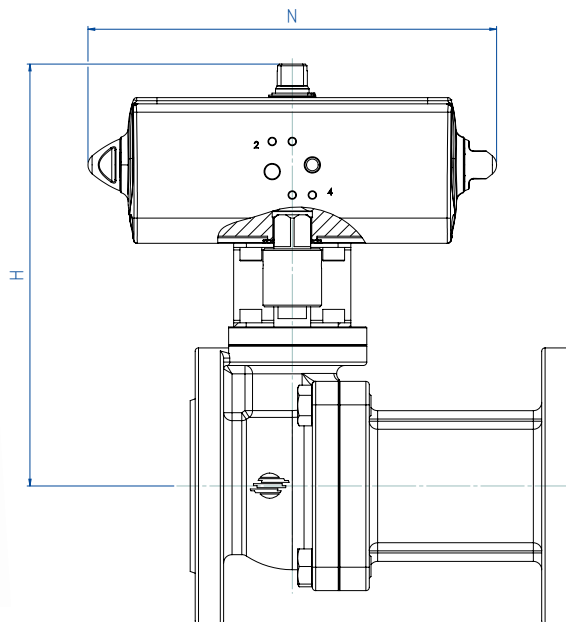
PROCHEMIE 60 SPLIT-BODY PN16-40



MATERIALI		MATERIALS
N°	DESCRIZIONE DESCRIPTION	MATERIALE MATERIAL
1	Corpo Body	1.4408
2	Terminale Connector	1.4408
3	Sfera Ball	1.4408/CF8M
4	Stelo Stem	1.4404/316 S.S.
5	Seggi Seat	PTFE+15% Glass Filled
6	Guarnizione Corpo-Terminale Body Gasket	Graphite
7	Anelli antifrizione Bottom sealing	PTFE Modificato Modified PTFE
8	Pacco a V Chevron Chevron packing	PTFE Modificato Modified PTFE
9	Pacco a V Chevron Chevron packing	PTFE Modificato Modified PTFE
10	Pacco a V Chevron Chevron packing	PTFE Modificato Modified PTFE
11	Anello premi guarnizione Gland nut ring	1.4404/316 S.S.
12	molle a tazza Springs	1.4310/301 S.S.
13	Guarnizione Corpo-Coperchio Superiore Body-Cover gasket	Graphite
14	Anello premi molle a tazza Fixing ring	1.4404/316 S.S.
15	Boccola stelo Stem bushing	Devlon
16	Coperchio superiore Upper cover	1.4404/316 S.S.
17	Viti coperchio superiore Cover screw	A4-70
18	Viti Corpo-Terminale Body closure screw	A4-70
19	Anello distanziale Spacer ring	PTFE+25% Carbon Filled
20	Leva Lever	1.4301/304 S.S.
21	Dado Stelo Stem nut	A4-70
22	Fermo leva Lever Stopper	1.4404/316 S.S.
23	Vite fermo leva Lever Stopper screw	A4-70
24	Riduttore Gear box	Ghisa (verniciato) Cast iron (painted)
25	Volantino Handwheel	Acciaio Carbonio (verniciato) Carbon Steel (Painted)



PROCHEMIE 60 SPLIT-BODY PN16-40
ACCIAIO INOX STAINLESS STEEL
CON ATTUATORE PNEUMATICO DA WITH DA PNEUMATIC ACTUATOR



KIT di connessione 304ss/1.4301
 Connection Kit in 304ss/1.4301

MISURE SIZE		PN	SCARTAMENTO FACE TO FACE	CODICE ARTICOLO ITEM CODE	ATTUATORE ACTUATOR	KIT DI MONTAGGIO MOUNTING KIT	H [mm]	N [mm]	PESO WEIGHT [Kg]
DN [mm]	[inch]								
DN 15	1/2"	16/40	F4	DP004F000A0000N000CFCA0	DAN0030411S	KCF045046	176,2	174,3	4,2
			F1	DP004F100A0000N000CFCA0					4,3
DN 20	3/4"	16/40	F4	DP005F000A0000N000CFCA0	DAN0030411S	KCF045046	179,2	174,3	5,0
			F1	DP005F100A0000N000CFCA0					5,1
DN 25	1"	16/40	F4	DP006F000A0000N000CFDA0	DAN0045412S	KCF045044	196,5	188,5	6,2
			F1	DP006F100A0000N000CFDA0					6,3
DN 32	1" 1/4	16/40	F4	DP007F000A0000N000CFDA0	DAN0045412S	KCF045044	201,5	188,5	8,1
			F1	DP007F100A0000N000CFDA0					8,7
DN 40	1" 1/2	16/40	F4	DP008F000A0000N000CFEA0	DAN0060412S	KCF055047	225,9	198,1	13,3
			F1	DP008F100A0000N000CFEA0					13,9
DN 50	2"	16/40	F4	DP009F000A0000N000CFHA0	DAN0120411S	KCF075051	252,0	257,4	15,8
			F1	DP009F100A0000N000CFHA0					16,8
DN 65	2" 1/2	16	F4	DP010E000A0000N000CFIA0	DAN0180411S	KCF105052	338,5	289,9	24,8
			F1	DP010E100A0000N000CFIA0					28,3
		25/40	F4	DP010I000A0000N000CFIA0	DAN0180411S	KCF105052	338,5	289,9	26,6
			F1	DP010I100A0000N000CFIA0					30,4
DN 80	3"	16/40	F4	DP011F000A0000N000CFJA0	DAN0240411S	KCF105052	349,1	313,6	32,9
			F1	DP011F100A0000N000CFJA0					35,9
DN100	4"	16	F4	DP012E000A0000N000CFLA0	DAN0480411S	KCF125054	402,9	387,7	44,1
			F1	DP012E100A0000N000CFLA0					49,6
		25/40	F4	DP012I000A0000N000CFLA0	DAN0480411S	KCF125054	402,9	387,7	49,3
			F1	DP012I100A0000N000CFLA0					55,3
DN150	6"	16	F1	DP014E100A0000N000CFQA0	DAN1440411S	KCF145596	536,0	567,0	127,0

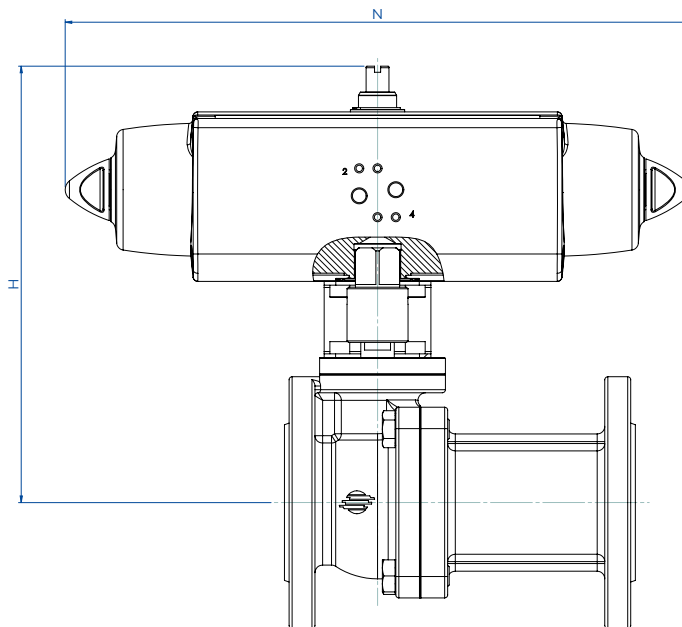
Le immagini sono solo rappresentative e non vincolanti ai fini della fornitura. Si prega di contattare l'Ufficio Commerciale.
 The images are only representative and they are not binding for supply purpose. Please contact Sales Department.



PROCHEMIE 60 SPLIT-BODY PN16-40

ACCIAIO INOX STAINLESS STEEL

CON ATTUATORE PNEUMATICO SR WITH SR PNEUMATIC ACTUATOR



KIT di connessione 304ss/1.4301
Connection Kit in 304ss/1.4301

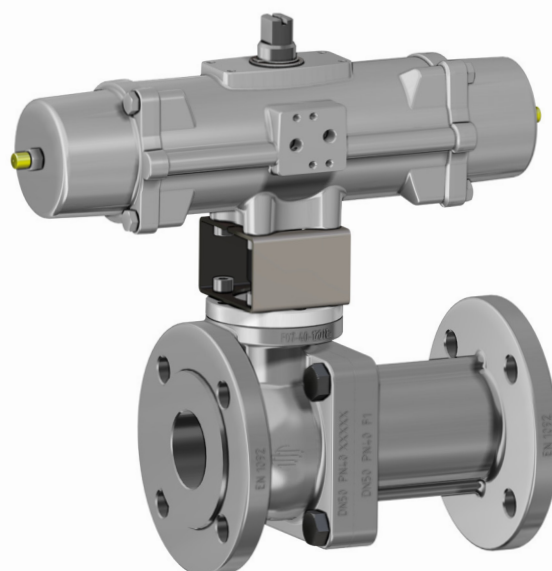
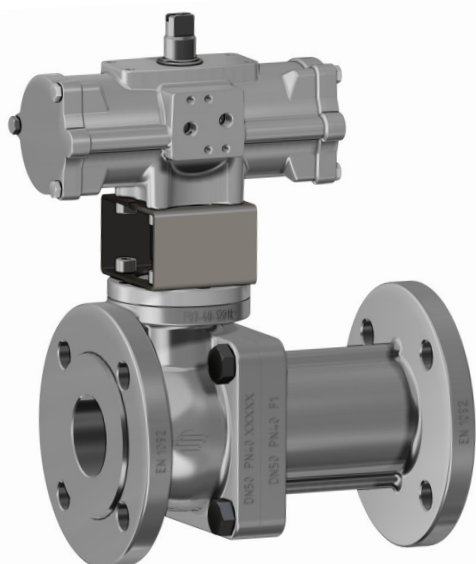
MISURE SIZE		PN	SCARTAMENTO FACE TO FACE	CODICE ARTICOLO ITEM CODE	ATTUATORE ACTUATOR	KIT DI MONTAGGIO MOUNTING KIT	H [mm]	N [mm]	PESO WEIGHT [Kg]
DN [mm]	[inch]								
DN 15	1/2"	16/40	F4	SP004F000A0000N000CFEA0	SRN0030402S	KCF055206	187,4	259,0	5,1
			F1	SP004F100A0000N000CFEA0					5,2
DN 20	3/4"	16/40	F4	SP005F000A0000N000CFEA0	SRN0030402S	KCF055206	190,4	259,0	5,8
			F1	SP005F100A0000N000CFEA0					5,9
DN 25	1"	16/40	F4	SP006F000A0000N000CFGA0	SRN0053401S	KCF075598	215,3	304,3	8,0
			F1	SP006F100A0000N000CFGA0					8,1
DN 32	1" 1/4	16/40	F4	SP007F000A0000N000CFGA0	SRN0053401S	KCF075598	220,3	304,3	10,0
			F1	SP007F100A0000N000CFGA0					10,5
DN 40	1" 1/2	16/40	F4	SP008F000A0000N000CFHA0	SRN0060401S	KCF075051	242,5	360,8	14,9
			F1	SP008F100A0000N000CFHA0					15,5
DN 50	2"	16/40	F4	SP009F000A0000N000CFJA0	SRN0120401S	KCF105228	286,1	409,6	20,1
			F1	SP009F100A0000N000CFJA0					21,1
DN 65	2" 1/2	16	F4	SP010E000A0000N000CFKA0	SRN0180401S	KCF105052	349,0	474,0	29,1
			F1	SP010E100A0000N000CFKA0					32,6
		25/40	F4	SP010I000A0000N000CFKA0	SRN0180401S	KCF105052	349,0	474,0	30,9
			F1	SP010I100A0000N000CFKA0					34,7
DN 80	3"	16/40	F4	SP011F000A0000N000CFLA0	SRN0240401S	KCF125054	372,9	520,5	39,7
			F1	SP011F100A0000N000CFLA0					42,7
DN 100	4"	16	F4	SP012E000A0000N000CFNA0	SRN0480401S	KCF145002	436,0	648,2	58,0
			F1	SP012E100A0000N000CFNA0					63,5
		25/40	F4	SP012I000A0000N000CFNA0	SRN0480401S	KCF145002	436,0	648,2	63,2
			F1	SP012I100A0000N000CFNA0					69,2
DN 150	6"	16	F1	SP014E100A0000N000CFSA0	SR1440E16D8A	KCF165597	679,0	834,0	180,0

Le immagini sono solo rappresentative e non vincolanti ai fini della fornitura. Si prega di contattare l'Ufficio Commerciale.
The images are only representative and they are not binding for supply purpose. Please contact Sales Department.

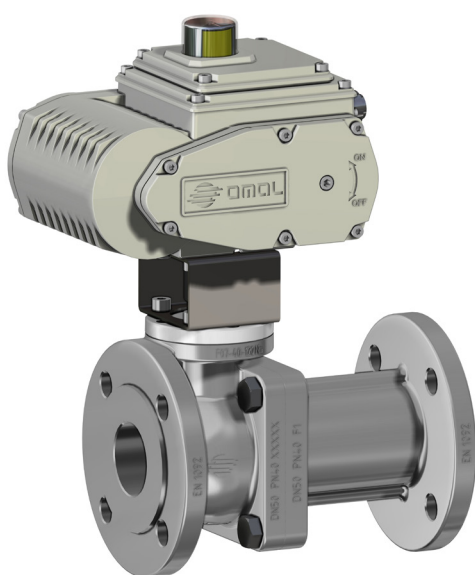


VERSIONI ATTUATE OPZIONALI ACTUATED OPTIONAL VERSIONS

**CON ATTUATORE DA E SR IN ACCIAIO INOX
WITH STAINLESS STEEL DA AND SR ACTUATOR**



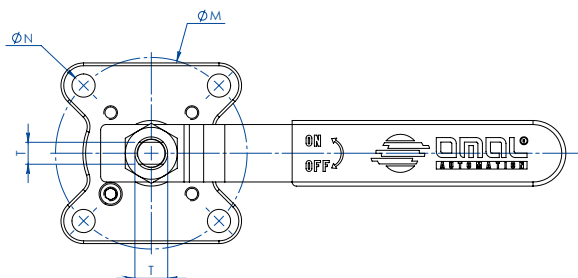
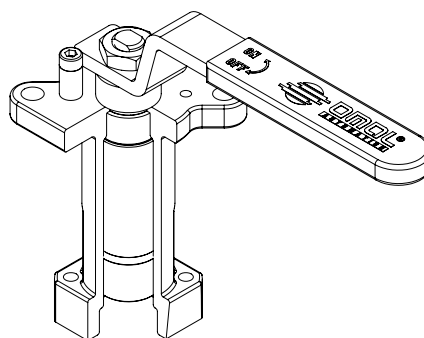
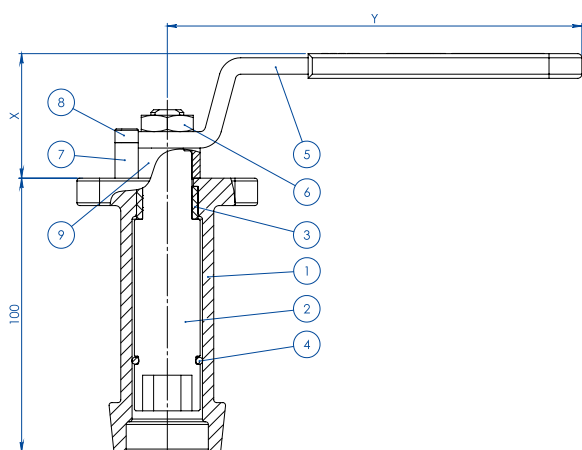
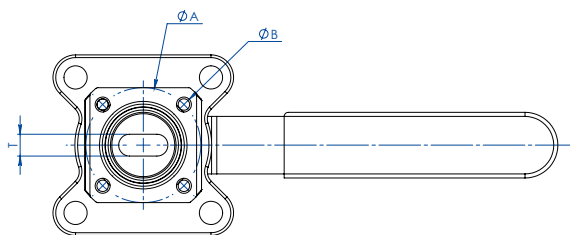
**CON ATTUATORE ELETTRICO
WITH ELECTRIC ACTUATOR**





PROCHEMIE 60 ACCESSORI ACCESSORIES

PROLUNGA GUIDATA DA FUSIONE A LEVA CASTING STEM EXTENSION WITH LEVER



MATERIALI MATERIALS		
PART. N°	DESCRIZIONE - DESCRIPTION	MATERIALE - MATERIAL
1	Prolunga Extension	ASTM A351 CF8M
2	Perno Pin	AISI 430 F
3	Bussola Bush	DELTRIN
4	O-RING O-RING	NBR
5	Leva Lever	Fe 37 galvanized (*)
6	Dado Nut	galvanized carbon steel (*)
7	Fermo leva Holder Lever	galvanized carbon steel (*)
8	Vite fermo leva Holder screw	A2-70
9	Distanziale Spacer	PTFE Carbon Filled

(*): a richiesta disponibili in 304 S.S. On request available in Aisi 304 s.s.

DIMENSIONI DIMENSIONS							
ISO VALVOLA VALVE	ØA	ØB	ØM	ØN	F/T	X	Y
F03	36	5,5	36	M5	10/6	38,5	141,5
F04	42	5,5	42	M5	12/8	45,5	151,5
F05	50	6,5	50	6,5	16/10	48,5	276,5
F07	70	8,5	70	8,5	22/14	57,5	351,5
F10	102	11	102	11	30/18	79,5	451,5

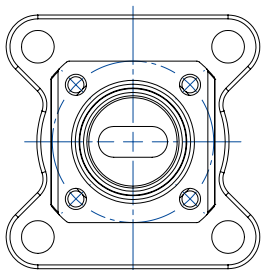
NOTA: Il codice della prolunga dipende dal tipo di azionamento e dall'attacco valvola; richiedere in fase d'ordine.

NOTE: Code of the stem extension depending from drive's type and valve's connection; to be requested at the order.

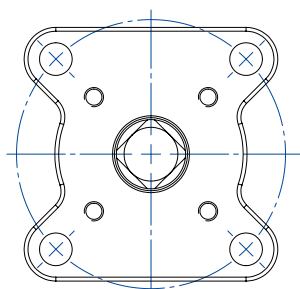
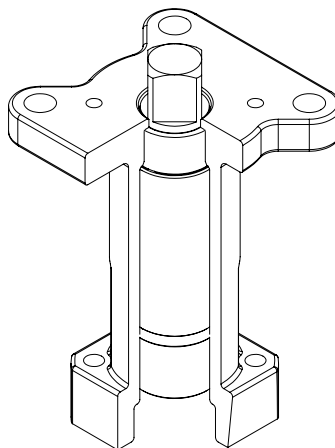
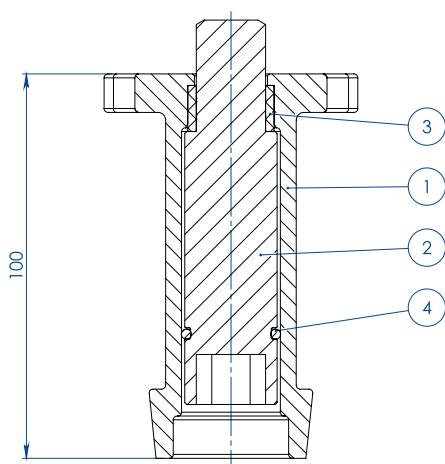


PROCHEMIE 60 ACCESSORI ACCESSORIES

PROLUNGA GUIDATA DA FUSIONE PER ATTUATORE CASTING STEM EXTENSION FOR ACTUATORS



NOTA: Le dimensioni dipendono dalle dimensioni dell'attacco valvola
NOTE: Dimensions depending from valve's connection



NOTA: Le dimensioni dipendono dalla taglia dell'attuatore
NOTE: Dimensions depending from actuator's size

MATERIALI MATERIALS		
PART. N°	DESCRIZIONE DESCRIPTION	MATERIALE MATERIAL
1	Prolunga Extension	ASTM A351 CF8M
2	Perno Pin	AISI 430 F
3	Bussola Bush	DELTRIN
4	O-RING O-RING	NBR

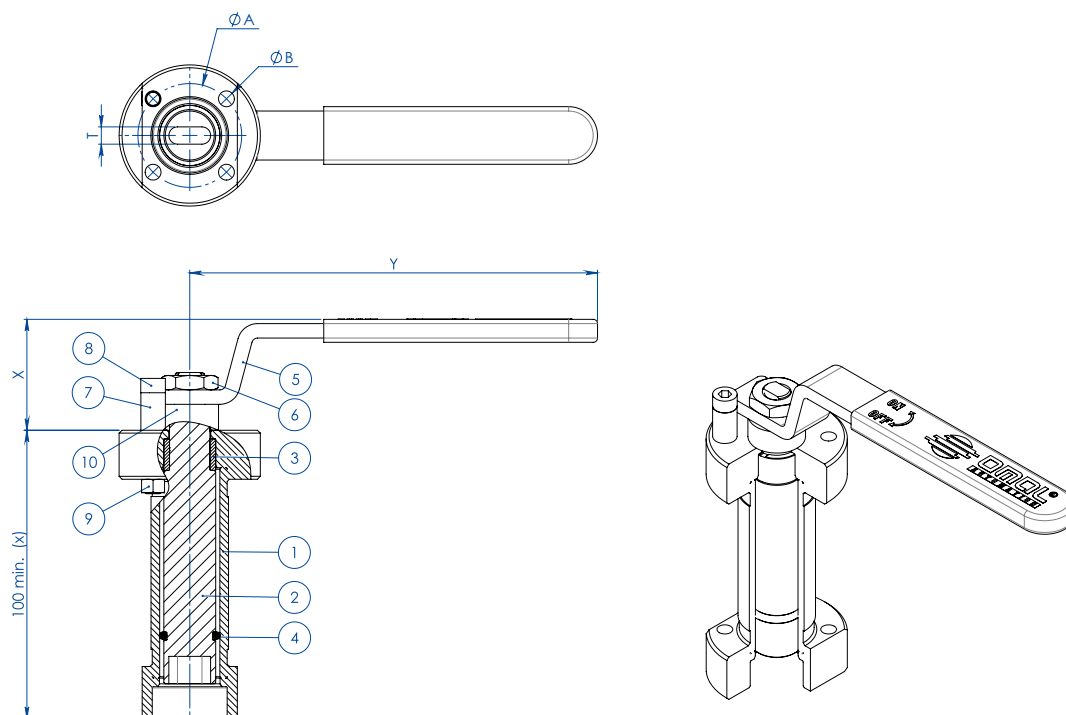
NOTA: Il codice della prolunga dipende dal tipo di azionamento e dall'attacco valvola; richiedere in fase d'ordine.

NOTE: Code of the stem extension depending from drive's type and valve's connection; to be requested at the order.

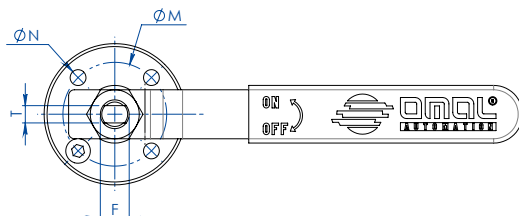


PROCHEMIE 60 ACCESSORI ACCESSORIES

PROLUNGA GUIDATA SALDATA A LEVA WELDED STEM EXTENSION WITH LEVER



(x): A richiesta disponibili diverse misure
On request available different sizes



MATERIALI MATERIALS

PART. N°	DESCRIZIONE - DESCRIPTION	MATERIALE - MATERIAL
1	Prolunga Extension	304 S.S.
2	Perno Pin	AISI 430 F
3	Bussola Bush	DELFIN
4	O-RING O-RING	NBR
5	Leva Lever	Fe 37 galvanized (*)
6	Dado Nut	galvanized carbon steel (*)
7	Fermo leva Holder Lever	galvanized carbon steel (*)
8	Vite fermo leva Holder screw	A2-70
9	Dado fermo leva Holder nut	A2-70 (**)
10	Distanziale Spacer	PTFE Carbon Filled

(*): a richiesta disponibili in 304 S.S. On request available in Aisi 304 s.s.

(**): non presente su valvole con attacco iso F04. No available on valves with Iso connection F04

DIMENSIONI DIMENSIONS

ISO VALVOLA VALVE	ØA	ØB	ØM	ØN	F/T	X	Y
F03	36	5,5	36	5,5	10/6	38,5	141,5
F04	42	5,5	42	M5	12/8	45,5	151,5
F05	50	6,5	50	6,5	16/10	48,5	276,5
F07	70	9	70	9	22/14	57,5	351,5
F10	102	11	102	11	30/18	79,5	451,5

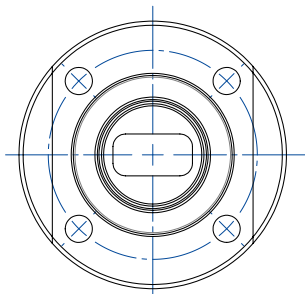
NOTA: Il codice della prolunga dipende dal tipo di azionamento e dall'attacco valvola; richiederlo in fase d'ordine.

NOTE: Code of the stem extension depending from drive's type and valve's connection; to be requested at the order.

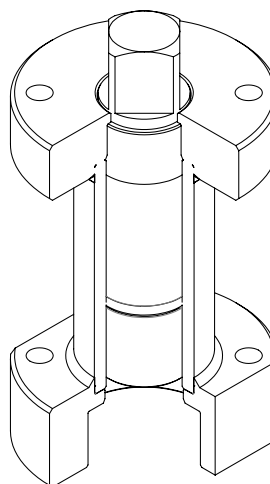
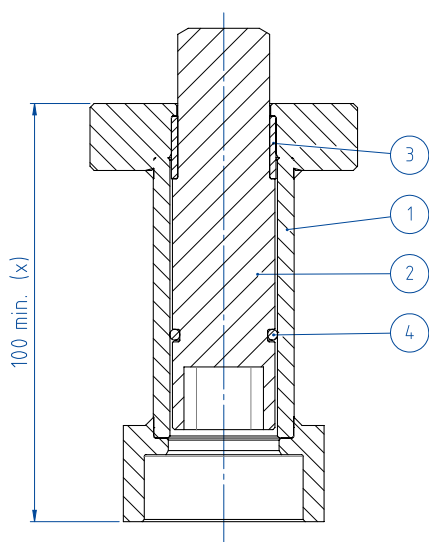


PROCHEMIE 60 ACCESSORI ACCESSORIES

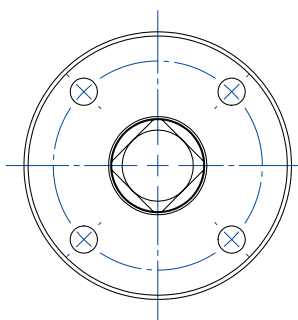
PROLUNGA GUIDATA SALDATA PER ATTUATORE WELDED STEM EXTENSION FOR ACTUATORS



NOTA: Le dimensioni dipendono dalle dimensioni dell'attacco valvola
NOTE: Dimensions depending from valve's connection



(x): A richiesta disponibili diverse misure
On request available different sizes



NOTA: Le dimensioni dipendono dalla taglia dell'attuatore
NOTE: Dimensions depending from actuator's size

MATERIALI MATERIALS		
PART. N°	DESCRIZIONE DESCRIPTION	MATERIALE MATERIAL
1	Prolunga Extension	304 S.S.
2	Perno Pin	AISI 430 F
3	Bussola Bush	DELRIN
4	O-RING O-RING	NBR

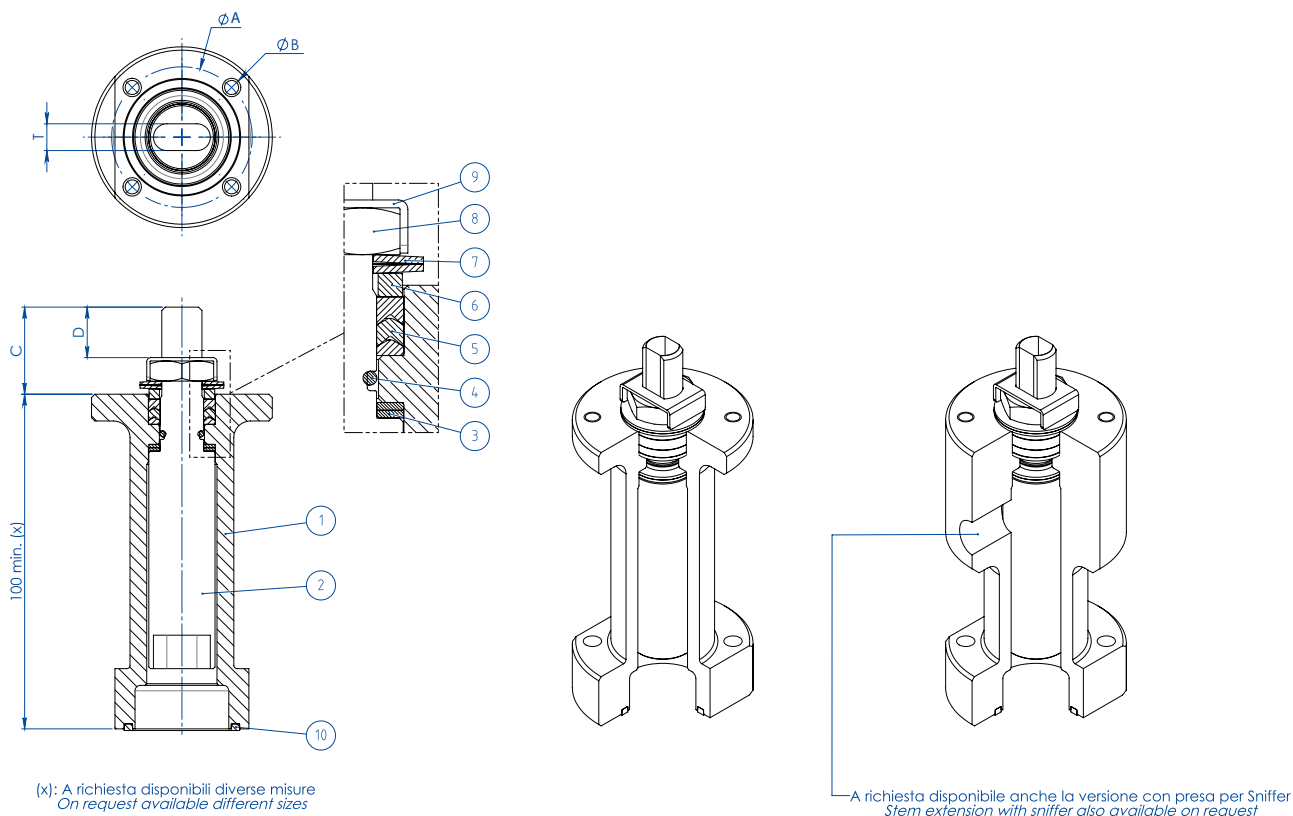
NOTA: Il codice della prolunga dipende dal tipo di azionamento e dall'attacco valvola; richiedere in fase d'ordine.

NOTE: Code of the stem extension depending from drive's type and valve's connection; to be requested at the order.



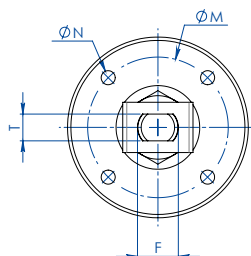
PROCHEMIE 60 ACCESSORI ACCESSORIES

PROLUNGA CON TENUTA AGGIUNTIVA STEM EXTENSION WITH ADDITIONAL SEAL



(x): A richiesta disponibili diverse misure
On request available different sizes

A richiesta disponibile anche la versione con presa per Sniffer
Stem extension with sniffer also available on request



MATERIALI MATERIALS

PART. N°	DESCRIZIONE - DESCRIPTION	MATERIALE - MATERIAL
1	Prolunga Extension	304 s.s.
2	Perno Pin	A564 TP.630 (17-4ph)
3	Anello Antifrizione Bottom Sealing	TFM1600
4	O-Ring O-Ring	FKM
5	Pacco A V Chevron Ring	TFM1600
6	Anello Premiguarnizione Packing Gland Ring	304 s.s.
7	Molle A Tazza Spring Washer	50CrV4 Zincato - Galvanized
8	Dado Stelo Stem Nut	UNI 3740-1 6S Zincato - Galvanized
9	Piastra Blocca Dado Stop Nut Plate	304 s.s.
10	Guarnizione di tenuta Gasket	GRAFOIL

DIMENSIONI DIMENSIONS

ISO VALVOLA VALVE	ØA	ØB	ØM	ØN	F/T	C	D
F03	36	5,5	36	M5	10/6	20	10,2
F04	42	5,5	42	M5	12/8	26	15,1
F05	50	6,5	50	M6	16/10	35	21,2
F07	70	8,5	70	M8	22/14	47,5	28,4
F10	102	10,5	102	M10	30/18	61	35,2

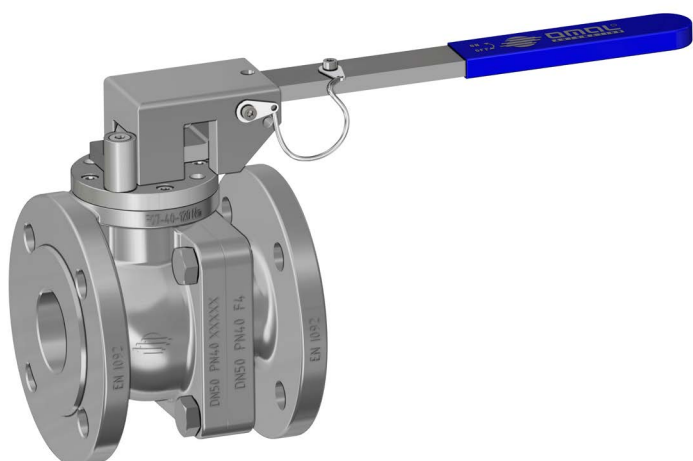
NOTA: Il codice della prolunga dipende dal tipo di azionamento e dall'attacco valvola; richiedere in fase d'ordine.

NOTE: Code of the stem extension depending from drive's type and valve's connection; to be requested at the order.

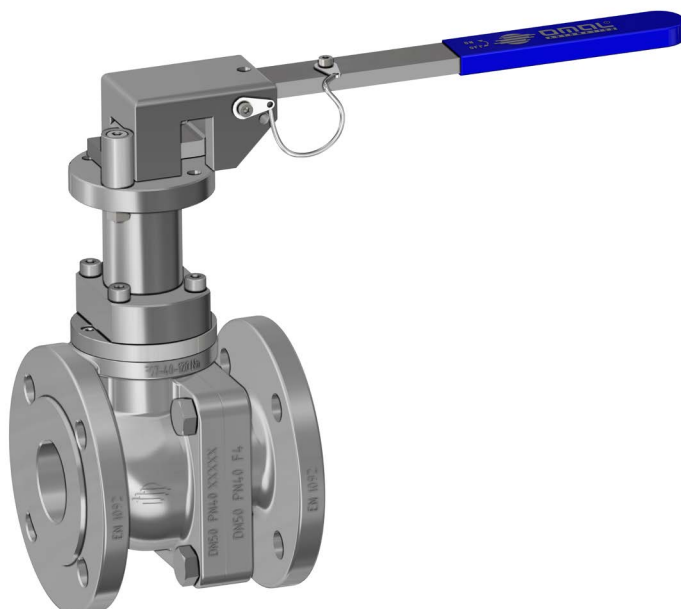


ESECUZIONI SPECIALI A RICHIESTA SPECIAL EXECUTIONS ON REQUEST

DISPOSITIVO LUCCHETTABILE
LOCKING DEVICE

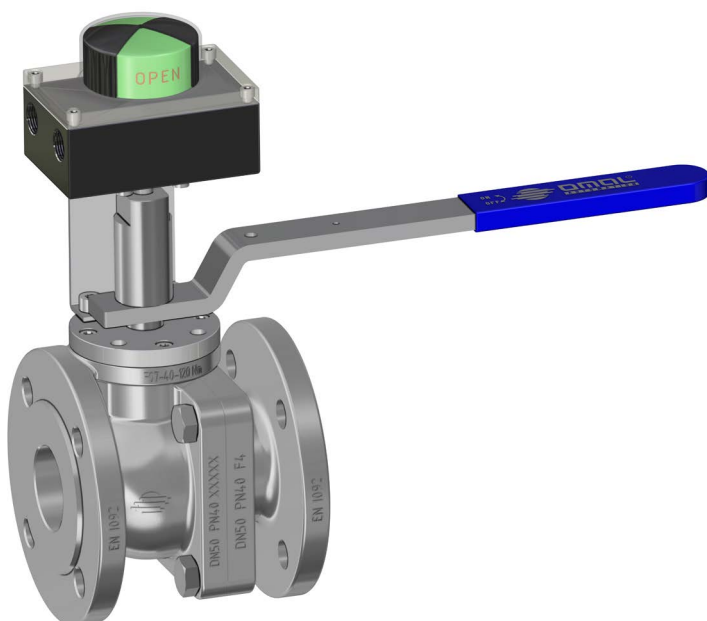


DISPOSITIVO LUCCHETTABILE CON PROLUNGA
LOCKING DEVICE WITH STEM EXTENSION

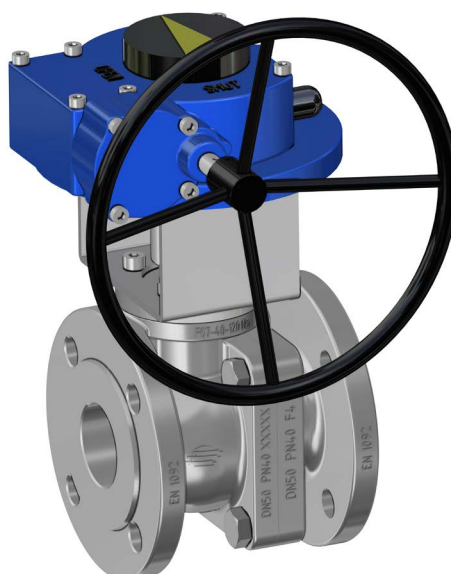


È possibile verniciare il dispositivo lucchettabile.
It is possible to paint locking device.

LEVA E BOX FINECORSA
LEVER AND LIMIT SWITCH BOX



RIDUTTORE MANUALE
MANUAL GEAR-BOX

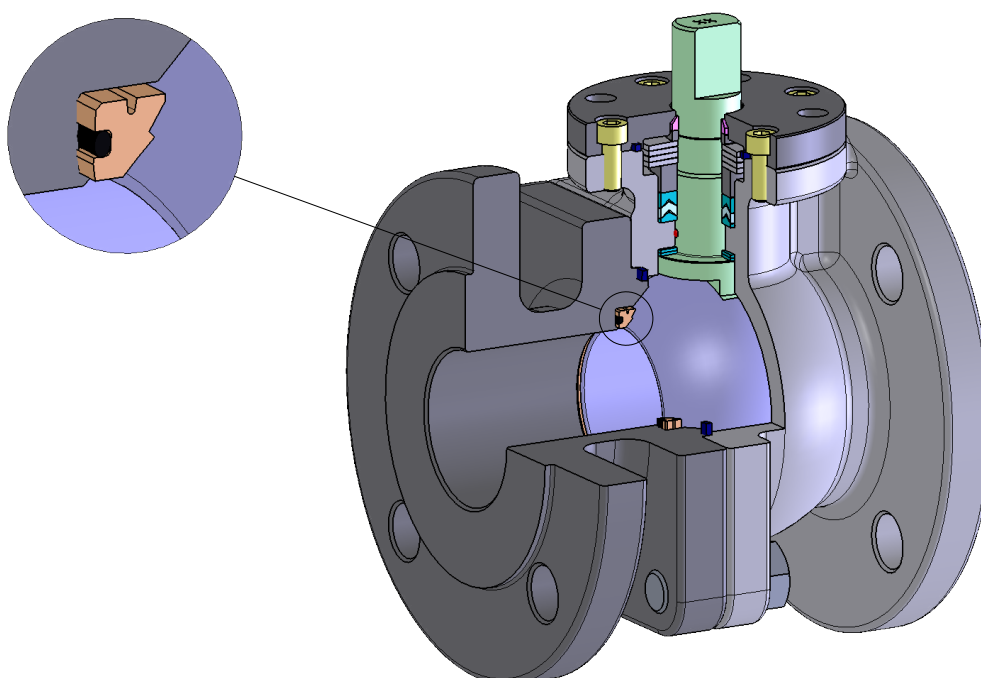




FORO DI RILASCIO DELLA PRESSIONE PRESSURE RELIEF HOLE



VERSIONE CON SEDILE PRECARICATO DA OR-RING VERSION WITH SEAT PRELOADED BY OR-RING





CERTIFICAZIONI PROCHEMIE 60 PROCHEMIE 60 CERTIFICATES

ATEX ▶

La Dichiarazione del Sistema di Gestione della Qualità operata da OMAL per la progettazione, la fabbricazione, l'ispezione finale e le prove delle valvole industriali è conforme alla Direttiva 2014/34 / UE ATEX per le apparecchiature ed è destinata all'uso in aree potenzialmente esplosive.

Quality Management System Declaration operated by OMAL for the design, manufacture, final inspection and tests of industrial valves is in compliance with the 2014/34/EU Directive ATEX for equipment and is intended to be used in potentially explosive areas.

DNV
FULL QUALITY ASSURANCE CERTIFICATE

Certificate No.: C20202 Initial date: 01 January, 2023 Validity: 01 January, 2023 – 31 December, 2025
This certificate consists of 2 pages

This is to certify that the quality system of:
OMAL S.p.A.
Via Ponte Nuovo, 11 - 25050 Rodengo Saiano (BS) - Italy

has been assessed and found to comply with respect to the conformity assessment procedure described in:
ANNEX III MODULE H OF DIRECTIVE 2014/68/EU ON PRESSURE EQUIPMENT

This certificate is valid for the following scope:
Type of Pressure Equipment: **Pressure Accessory**
Product Name: **Ball valves, high pressure ball valves, butterfly valves, pneumatic valves.**

Place and date: **Venezia, 01 December, 2022**

For the issuing office:
ACCREDIA
Notified Body 0461, Italy
DNV Business Assurance Italy S.r.l.

Check validity:

Loss of fullness of substance as set out in the Certification Agreement may render this Certificate invalid.
ACCREDIA 020202 (date of issue) Business Assurance Italy S.r.l. Via Dogana Park, 14, 20091 Vimercate (MI), Italy. Tel: 039 69 96 905, www.accredia.it

◀ PED

Certificazione del Sistema di Gestione della Qualità operato da OMAL per la progettazione, fabbricazione, collaudo finale e collaudi di valvole industriali secondo quanto previsto dalla Direttiva Apparecchiature in Pressione 2014/68 / UE (MODULO H - garanzia totale per l'intero processo).

Certification of the Quality Management System operated by OMAL for the design, manufacture, final inspection and tests of industrial valves according to 2014/68/EU Pressure equipment Directive (FORM H - full warranty for the entire process) provisions.

SIL ▶

Certificazione in conformità ai requisiti del livello di sicurezza funzionale IEC 61508, intesa per prodotti destinati ad essere integrati in sistemi di livello di integrità della sicurezza fino a SIL 3.

Certification in compliance with the IEC 61508 functional safety level requirements, meant for products intended to be integrated in safety integrity level systems up to SIL 3.

ZFP SCHREIBER
Rechner, Baueisen, Scherer

Schreiber GmbH
Gebaude 8509
Industriepark Höchst
65926 Frankfurt am Main
Tel.: 099/305-18421, Fax: 099/305-80803

Bericht-Nr.: 18/20-13834
Vorgang-Nr.: 18/20
Eingangsdatum: 26.04.2018
Auftragsgegenstand: Musterprüfung an Kugelhahngehäusen und Komplettgeräten nach IGR Guideline Technik 12-0042-1 und GR Formnummer 19021, 19022, 19023 und 19043
Zeichnungsnummer: Y-5841
Hersteller: Fa Omal SpA, Via Ponte Nuovo 11, 25050 Rodengo Saiano (BS) Italien
Untersuchungszeitraum: 27.02.2018 bis 12.04.2018
Berichtsdatum: 12.04.2018
Beurteilung: Die geprüften Musterkugelhähne mit der IGR-Formnummer 19021 und 19022 erfüllen die gestellten Anforderungen.
Die geprüften Gehäusestücke erfüllen die gestellten Anforderungen von IGR-Formnummer 19021, 19022, 19023 und 19043.
Anlagen: - Komplettermaturen DN50
- Gehäusestücke DN25, PN40; DN100, PN16; DN100, PN40
- Bildokumentation

12.04.2018	Frankfurt/Main	Raltz, C.	Prüfer/Inspector (Name/Unterzeichner)	Seite 01 / 2 Seite 01/0444
				Prüfer/Inspector (Name/Unterzeichner)

Schreiber GmbH
Krausschmidweg 6
76706 Dettenheim
Tel.: +49 (0) 7247 93 84 40
Fax: +49 (0) 7247 9 84 41
info@schreiber.de
www.schreiber.de

TUV
Technischer Überwachungsverein

DAKKS
Dachverband der Akkreditierten Körper

◀ IGR

Tipo certificato n. 15623292 secondo la Linea Guida IGR n. 12-0042-1 e scheda tecnica nr 19021, 19022, 19023, 19043 per l'industria chimica.

Type certificate n. 15623292 according to IGR Guideline n. 12-0042-1 and data sheet nr 19021, 19022, 19023, 19043 for chemical industry.

INERIS

Appareil non électrique destiné à être utilisé en atmosphères explosibles
Non electrical equipment intended for use in potentially explosive atmospheres
Apparechi non elettrici destinati ad essere utilizzati in atmosfere potenzialmente esplosive

Directive 2014/34/UE
Direttiva 2014/34/UE

ACCUSÉ DE RECEPTION D'UN DOSSIER TECHNIQUE
ACKNOWLEDGE RECEIPT OF TECHNICAL DOCUMENTATION
AVVISO DI RICEVIMENTO DEL FASCICOLO TECNICO

Appareil / Equipment / Apparecchiatura: **BALL VALVES**

Type(s) / Type(s) / Tipo(i): **Wafer type, Split body type, Split Wafer type steel ball valves / Two-piece, Three-piece steel ball valve High-pressure - threaded ends / Two-piece brass ball valves threaded ends**

Marquage / Marking / Marcatura: **Ex B Z GD**

Dépositaire / Applicant / Richiedente: **OMAL S.p.A., Via Ponte Nuovo 11**

25050 Rodengo Saiano (BS)

L'INERIS, organisme notifié et INERIS, notified body and identified L'INERIS, organismo notificata e identificata secondo le norme EN ISO 9001, under number 0803, in accordance with con il n. 0803 conformemente agli articoli conformément aux articles 17 et 21 de la Directive 2014/34/UE, article 17 and 21 of Council Directive 2014/34/UE of the 26 February 2014, Consiglio dell'Unione Europea del 26 febbraio del 26 février 2014, accusé réception acknowledge receipt of the according 2014, conforme à l'annexe III du dossier conformément à la procédure décrite au chapitre 3, article 13 (1) (i) of the Directive. rubrica 3, articolo 13 (1) (i) della Direttiva.

La documentazione technique référencée: The technical documentation referenced: La documentazione tecnica di riferimento: VS-19 dated 10/10/2019 VS-19 dated 10/10/2019 VS-19 dated 10/10/2019

La documentation est déposée sous le numéro d'enregistrement: It is deposited under the reference: è depositata con il numero di registrazione: n° INERIS-EQEN 03524119 n° INERIS-EQEN 03524119 n° INERIS-EQEN 03524119

Dans le cadre de cet enregistrement, l'INERIS n'a pas examiné le contenu de la documentation technique. Within the scope of the recording, INERIS did not examine the content of the technical documentation. Nel quadro di questa registrazione, INERIS non ha esaminato il contenuto della documentazione tecnica.

Date de fin de validité: 2029.11.07 Validity completion date: 2029.11.07 Data di fine di validità: 2029.11.07

Le Directeur Général de l'INERIS, Par délégation, The Chief Executive Officer of INERIS, By delegation, Il Direttore generale dell'INERIS, Per delega.

CE Document est peut être reproduit que dans son intégralité / Only the entire document may be reproduced / Questo documento può essere riprodotto solo integralmente

Place: Technologique Aude BP 2 / 40050 Terres-en-Hautte
FR - 33000 St-Jean-Pied-de-Corrien
Institut national de l'Environnement Industriel et des Risques
Établissement public à caractère industriel et commercial - RCS Compagnie 831 984 943 - Siret 831 984 943 00019 - APE 7220Z - TVA Intracommunautaire FR 73 301 984 912

TUV NORD

CERTIFICATE

This certifies, that the company
Omial S.p.A.
Via Ponte Nuovo, 11
25050 Rodengo Saiano (BS)
Italy

is authorized to provide the product mentioned below

Description of product: **Split body floating ball valve series Prochemie**

In accordance with: **EN 1608:2010 Parts 1, 2, 3, 4, 5, 6, 7**

Registration No. 21 22155-01
Test Report No. FR-22155-01-L
File reference: 22135-01

TUV NORD Italia S.r.l. (TUV NORD Group)
Via Turati, 70
20023 Cerro Maggiore (MI)
www.tuv-nord.it

Cerro Maggiore, 2021-11-22
prodotti@tuv-nord.it

Please also pay attention to the information stated overleaf

TUV-GR/IND-SIL-01-14-Rev01_01_2020-Certificate_Type A



▲ "TA-LUFT" AND "FUGITIVE EMISSION"

Certificazione di conformità alla UNI EN ISO 15848-1, TA LUFT (60000 cicli) VDI 2440, requisito di non emissione di sostanze nocive in atmosfera, destinato ad applicazioni con fluidi pericolosi e inquinanti atmosferici.

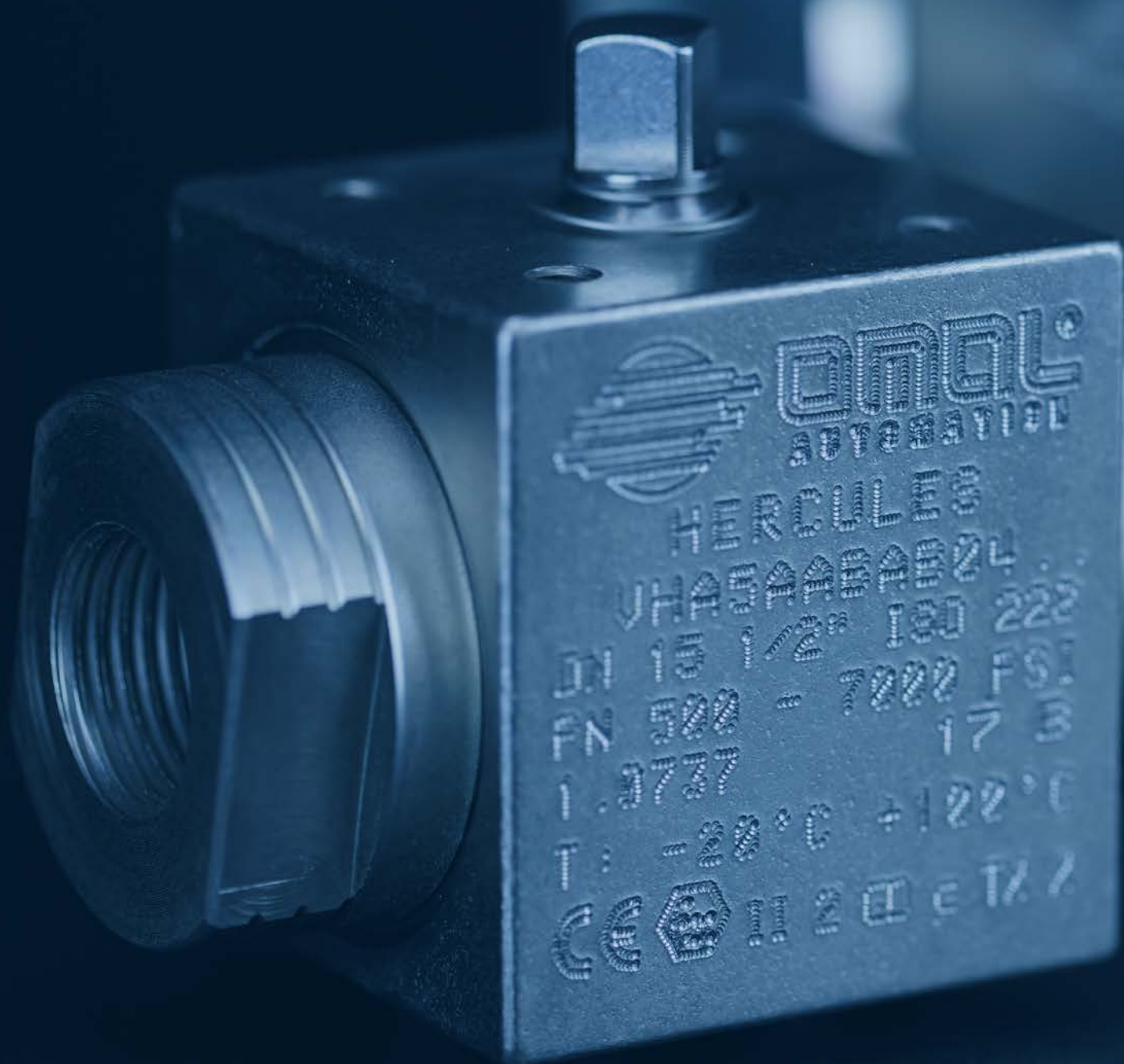
Certification of compliance with UNI EN ISO 15848-1, TA LUFT (60000 cycles) VDI 2440, requirement of non-emission of harmful substances into the atmosphere, intended for hazardous fluids and air pollutants applications.

▼ FIRE SAFE

Certificazione di conformità della capacità di tenuta di una valvola in pressione durante e dopo la prova di tipo antincendio secondo gli standard API607 / ISO 10497.

Certification of compliance of the sealing capability of a valve in pressure during and after the fire type-testing according to API607/ISO 10497 standards.







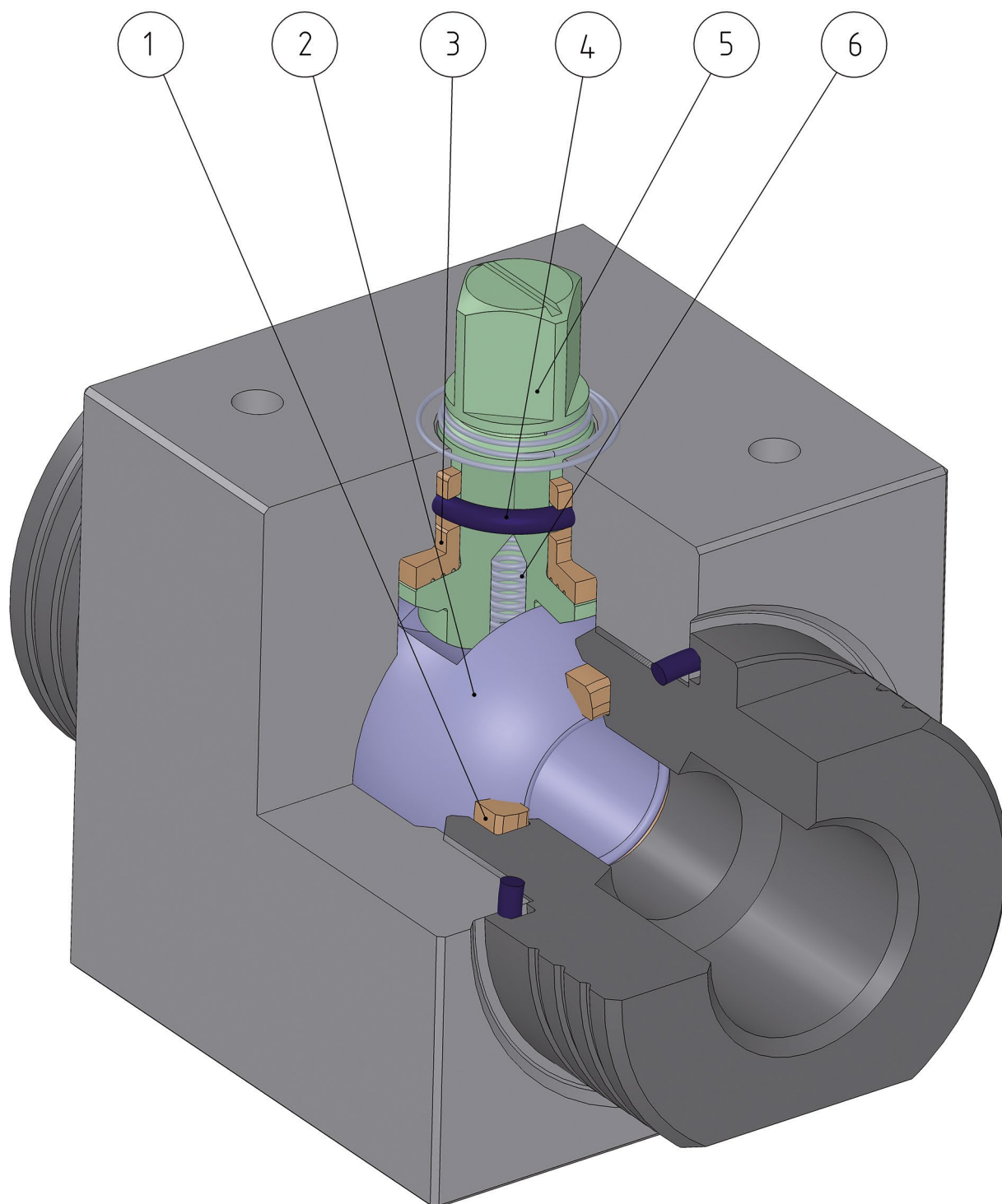
1.3

HERCULES

HERCULES



HERCULES ALTA CICLICITÀ *HIGH CYCLE*





FEATURES & BENEFITS

1	Tenuta in "EXTREME"*** Seat in "EXTREME"***	Minor usura rispetto a tenute non modificate <i>Less wear comparing with not modify seat</i>
		Elevata resistenza alla sollecitazione <i>High resistance to stress</i>
2	Sfera in acciaio inossidabile con rivestimento in Cromo Duro da 40µm <i>Stainless steel ball, coated with 40µm Hard Chrome</i>	Maggior tenuta nel tempo grazie alla bassa usura della sfera <i>Longer seal life due to the low wear of the ball</i>
3	Supporto stelo in "POWERAMMIDE"* "POWERAMMIDE"* stem bush	Si ha un perfetto allineamento dell'albero sul corpo e si evitano oscillazioni con alte pressioni <i>It grants a perfect alignment of the shaft on the body and prevents oscillations with high pressure</i>
		Nessuna possibilità di grippaggio <i>No seizing</i>
		Elevato numero di azionamenti <i>High number of cycles</i>
4	O-ring in elastomero da 90 Shore A <i>Elastomer O-Ring with a hardness of 90 Shore A</i>	Nessun deperimento dovuto ad azionamenti estremamente veloci <i>No deterioration with quick operations</i>
4	O-ring a bassa permeabilità "Rapid Gas Decompression" <i>Low-permeability O-ring "Rapid Gas Decompression"</i>	Buona resistenza alla decompressione esplosiva <i>Good resistance to explosive decompression</i>
5	Stelo in 17-4 PH H900 <i>Stem in 17-4 PH H900</i>	Maggior resistenza meccanica di circa 5 volte rispetto ad un classico 316 S.S. <i>Increased mechanical strenght about 5 times more compared to a standard 316 S.S.</i>
5	Rullatura stelo <i>Shaft rolling</i>	Minor usura delle guarnizioni grazie alla bassa rugosità (0,4 micron Ra) dello stelo che facilita lo scorrimento <i>Less wear of the seals due to the low roughness (0,4 micron Ra) which facilitate the sliding of the shaft</i>
6	Antistatic device (continuità elettrica tra sfera, stelo e corpo) <i>Antistatic device (electrical continuity between ball, stem and body)</i>	Si evitano cariche elettrostatiche che potrebbero essere causa d'innescio in ambienti infiammabili e/o esplosivi <i>Static electricity is avoided which can cause sparks and fire in an inflammable/explosive environment</i>
		Sicurezza garantita del contatto durante tutta la vita della valvola <i>Contact safety throughout the entire life of the valve</i>
	Fire safe design <i>Fire safe design</i>	Garantisce la tenuta della valvola anche in caso di incendio <i>Guarantees the tightness of the valve also in case of fire</i>
	Certificato ATEX <i>Atex Certificate</i>	Ne consente l'installazione in presenza di ambiente potenzialmente esplosivo <i>Installation is possible in a potential explosive environment</i>
	Certificato fino a SIL 3 <i>UP to SIL 3 certified</i>	Elevato livello di sicurezza funzionale <i>Guarantee of the high level of functional safety</i>

*Blend di tecnopolimeri e di cariche aramidiche *Blend of polymers and aramid filler

**Poliammide aromatica a catena lunga **Aromatic polyamide long chemical structure



HERCULES

ALTA PRESSIONE - ALTA CICLICITÀ **ACCIAIO AL CARBONIO**
 HIGH PRESSURE - HIGH CYCLE **CARBON STEEL**

**CARATTERISTICHE GENERALI:**

- Estremità filettate EN ISO 228 o NPT.
- Temperatura di utilizzo: da -20°C a +100°C con Oring in NBR;
da -20°C a +160°C con Oring in FKM (a richiesta).
- Pressione di utilizzo: PN500/7000 psi DN6, DN8, DN10, DN15;
PN400/6000 psi DN20 e DN25;
- Fluido intercettato: fluidi autolubrificanti (liquidi e gassosi), purché compatibili con i materiali costruttivi. Per fluidi non-autolubrificanti (acqua, ...) o altre applicazioni rivolgersi all'ufficio commerciale.
- Antistatic device.
- Fire safe design.

ESECUZIONI SPECIALI A RICHIESTA:

- Per altre applicazioni consultare il nostro ufficio commerciale.

CERTIFICAZIONI:

- Versione ATEX in conformità alla Direttiva Europea 2014/34/UE.
- Certificato ATEX a richiesta.
- Livello di sicurezza funzionale fino a SIL 3 in accordo a IEC 61508.
- Conforme alla Direttiva Europea 2014/68/UE PED.

GENERAL FEATURES:

- Ends: Threaded ends EN ISO 228 o NPT.
- Working temperature:-from -20°C to +100° with NBR Oring;
from -20°C to +160°C with FKM Oring (on request).
- Working pressure: DN6, DN8, DN10, DN15 PN500/7000 psi;
DN20 e DN25 PN400/6000 psi;
- Working media: self-lubricating fluids (liquid and gaseous), provided they are compatible with the construction materials. For non-self-lubricating fluids (water, ...) or other applications, contact our sales department.
- Antistatic device.
- Fire safe design.

SPECIAL EXECUTION ON REQUEST:

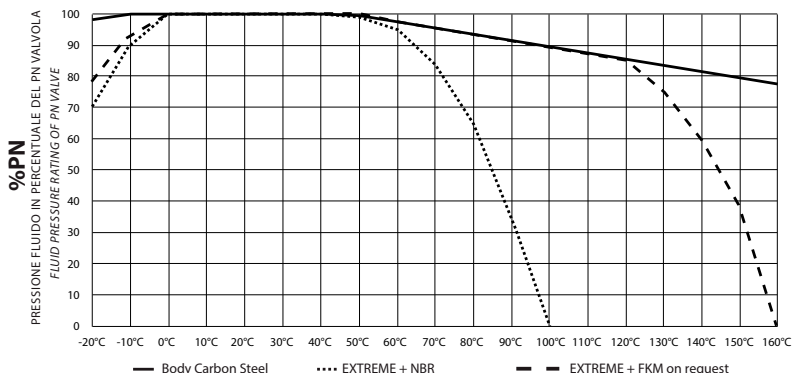
- For other applications, please contact our sales department.

CERTIFICATIONS:

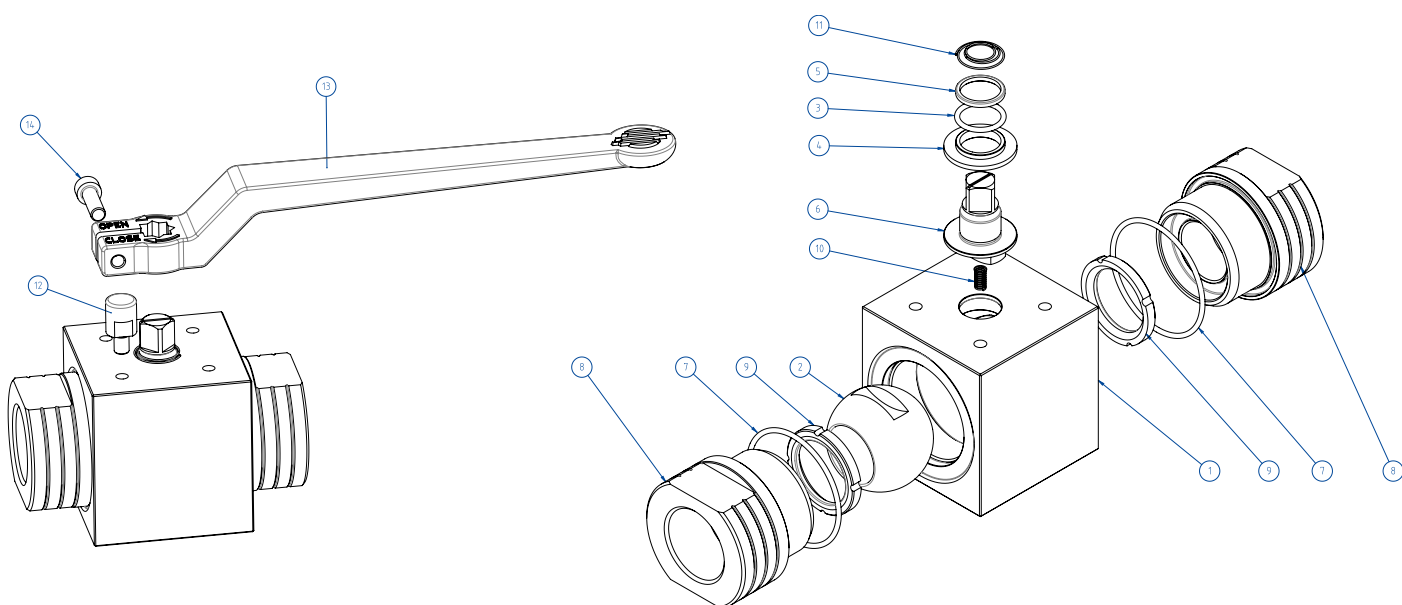
- ATEX version in conformity with European Directive 2014/34/EU.
- ATEX certificate on request.
- Safety integrity level up to SIL 3 according to the IEC 61508.
- In compliance with European Directive 2014/68/EU PED.



DIAGRAMMA PRESSIONE/TEMPERATURA PRESSURE/TEMPERATURE DIAGRAM



DN6, DN8, DN10, DN15	PN500/7000 psi
DN20 e DN25	PN400/6000 psi



MATERIALI MATERIALS		
1	Corpo Body	≤DN25: 1.0737 (11SMnPb37);
2	Sfera Ball	A217 CA15 / A479 tp. 410 / A182 F6A + Hard chromium plated
3*	O-ring	NBR (FKM on request)
4*	Bussola inferiore Lower bush	Modified nylon PA66
5*	Bussola superiore Upper bush	Modified nylon PA66
6	Stelo Stem	A564 Tp 630 (17-4 PH)
7*	O-ring	NBR (FKM on request)
8	Manicotto Ends	≤DN25: 1.0737 (11SMnPb37) / ASTM A350 LF2;
9*	Seggio Seats	DEVLON
10	Molla antistatic device Antistatic device spring	1.4310 - X12CrNi17-7
11	Molla antistatic device superiore Upper antistatic device spring	1.4310 - X12CrNi17-7
12**	Fermo Holder screw	X5CrNiMo1713 - 316 S.S.
13**	Leva Lever	EN AB 46100 - AL SI 11 CU (FE) Verniciata - Painted
14**	Vite Screw	A2 - 70

* Componenti kit di guarnizioni Seals kit components
 ** Componenti dei kit leva Lever kit components

COPPIE DI SPUNTO in Nm BREAKAWAY TORQUES Nm							
PN	Size	DN 6 1/8"	DN8 1/4"	DN 10 3/8"	DN 15 1/2"	DN 20 3/4"	DN 25 1"
PN 500 bar		10		18	20		
PN 400 bar						31	40

I valori della coppia in Nm possono variare in funzione della temperatura e del fluido. Considerare un fattore di sicurezza pari a 1.4.
 Torque can vary depending on temperature and type of fluid, a safety factor 1.4 must be applied.

PORTATA KV m ³ /h FLOW RATE KV m ³ /h					
KV m ³ /h	5,2	11	20	60	100
Il valore Kv è il valore di portata in m ³ /h (con acqua a 15°C) che provoca la caduta di pressione di 1 bar Kv is the coefficient, expressed in m ³ /h (with water at 15°C) causing a pressure loss of 1 bar.					

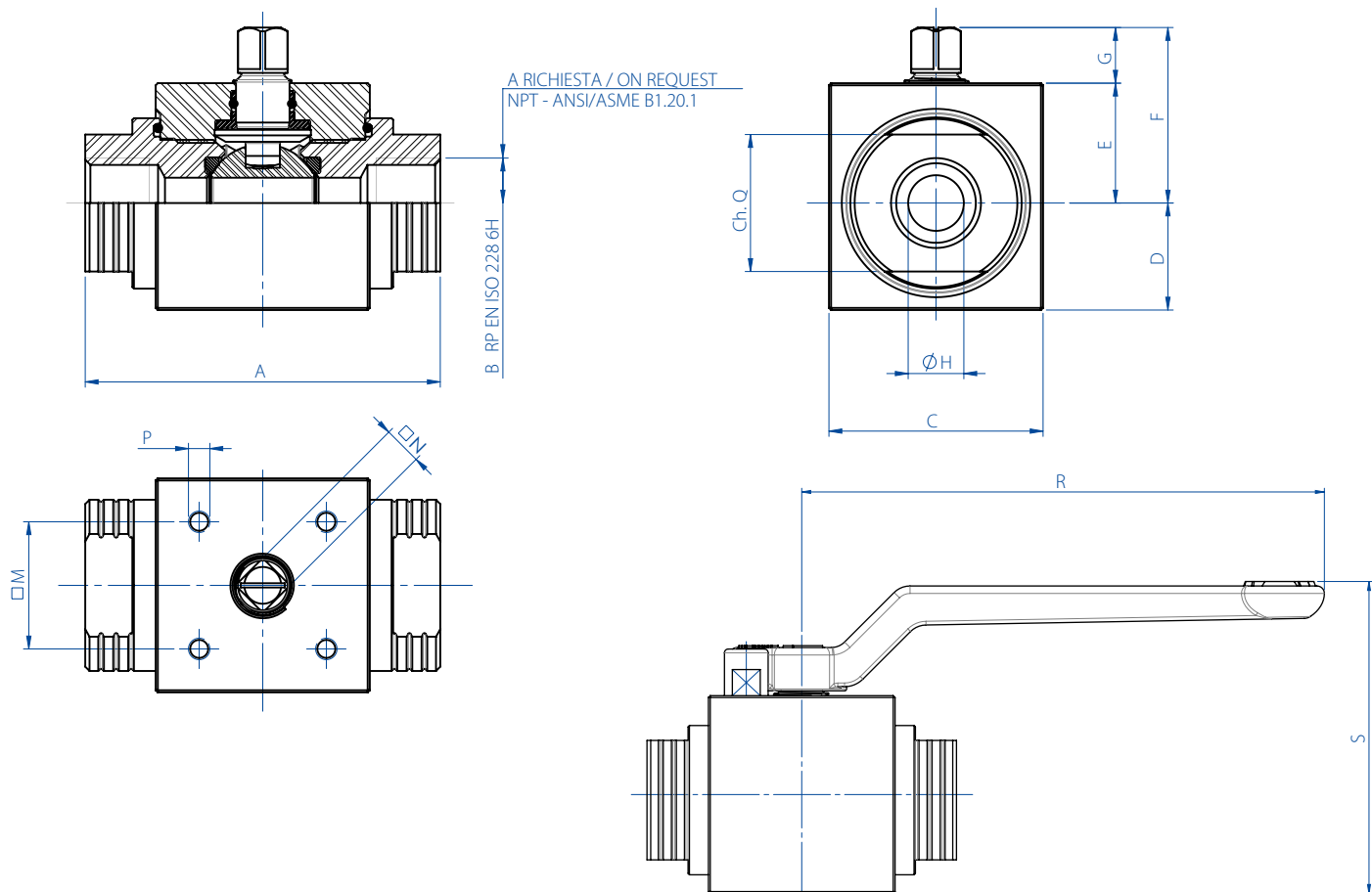
HERCULES



HERCULES - ALTA CICLICITÀ HIGH CYCLE
ACCIAIO AL CARBONIO CARBON STEEL
ASSE LIBERO E CON LEVA FREE SHAFT AND WITH LEVER

		ASSE LIBERO FREE SHAFT		CON LEVA WITH LEVER				
MISURA	SIZE	Asse libero - ISO228	Asse libero - NPT	Con leva - ISO228	Con leva - NPT	Kit leva	Kg	Kit guarnizioni -Vers. STD
DN [mm]	[inch]	Free shaft - ISO228	Free shaft - NPT	With lever - ISO228	With lever - NPT	Lever kit		
DN 6	1/8"	VHA5AABAB01	VHA5AABAB41	LHA5AABAB01	LHA5AABAB41	KLVVH501	0,32	KGBVHPV01D
DN 8	1/4"	VHA5AABAB02	VHA5AABAB42	LHA5AABAB02	LHA5AABAB42	KLVVH501	0,31	KGBVHPV01D
DN 10	3/8"	VHA5BABAB03	VHA5BABAB43	LHA5BABAB03	LHA5BABAB43	KLVVH503	0,76	KGBVHPV03N
DN 15	1/2"	VHA5BABAB04	VHA5BABAB44	LHA5BABAB04	LHA5BABAB44	KLVVH503	1,10	KGBVHPV04N
DN 20	3/4"	VHA5BABAB05	VHA5BABAB45	LHA5BABAB05	LHA5BABAB45	KLVVH505	1,46	KGBVHPV05N
DN 25	1"	VHA5BABAB06	VHA5BABAB46	LHA5BABAB06	LHA5BABAB46	KLVVH505	2,30	KGBVHPV06N

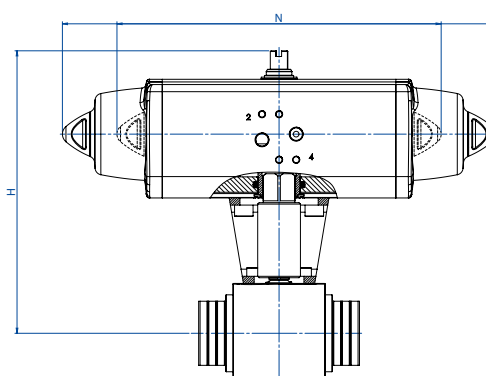
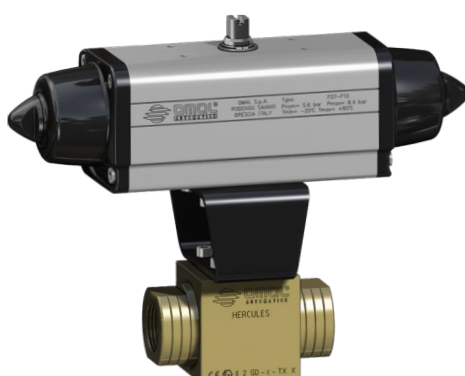
Δ = Versione standard con O-ring in NBR. Standard line with NBR O-ring.
 √ = Con O-ring in FKM a richiesta. With FKM O-ring on request.



		DIMENSIONI DIMENSIONS													
MISURA	SIZE	A	B	C	D	E	F	G	ØH	Ch.Q	□M	□N	P	R	S
DN [mm]	[inch]														
DN 6	1/8"	69	1/8"	30	13	17	27	10	6	19	21x30	6	M5	103,5	56,1
DN 8	1/4"	69	1/4"	30	13	17	27	10	6	19	21x30	6	M5	103,5	56,1
DN 10	3/8"	72	3/8"	45	19,7	25,3	38,3	13	9	24	29,7 (F04)	9	M5	140	75,5
DN 15	1/2"	83	1/2"	50	25	28	41	13	13	32	29,7 (F04)	9	M5	140	83,6
DN 20	3/4"	95	3/4"	55	27,5	31	46	15	19	37	35,36 (F05)	11	M6	212	94,8
DN 25	1"	113	1"	65	32,5	35	50	15	25	45	35,36 (F05)	11	M6	212	103,8



HERCULES - ALTA CICLICITÀ HIGH CYCLE ACCIAIO AL CARBONIO CARBON STEEL CON ATTUATORE WITH ACTUATOR



CON ATTUATORE PNEUMATICO DOPPIO EFFETTO WITH DOUBLE ACTING PNEUMATIC ACTUATOR

MISURA SIZE		CODICE ARTICOLO - versione EN ISO 228 ITEM CODE - EN ISO 228 version	CODICE ARTICOLO - versione NPT ITEM CODE - NPT version	ATTUATORE ACTUATOR	KIT montaggio Mounting KIT	N [mm]	H [mm]	Kg
DN [mm]	[inch]							
DN 06	1/8"	DHA5AABAB01AFBA0	DHA5AABAB41AFBA0	DAN0015411S	KCNAADD5401	159,0	139,2	1,5
DN 08	1/4"	DHA5AABAB02AFBA0	DHA5AABAB42AFBA0	DAN0015411S	KCNAADD5401	159,0	139,2	1,5
DN 10	3/8"	DHA5BABAB03AFCA0	DHA5BABAB43AFCA0	DAN0030411S	KCNBCDD5403	174,2	164,5	2,4
DN 15	1/2"	DHA5BABAB04AFDA0	DHA5BABAB44AFDA0	DAN0045412S	KCNBCDD5403	188,5	175,5	2,9
DN 20	3/4"	DHA5BABAB05AFEA0	DHA5BABAB45AFEA0	DAN0060412S	KCNCCDD5405	198,0	185,4	3,8
DN 25	1"	DHA5BABAB06AFGA0	DHA5BABAB46AFGA0	DAN0106411S	KCNCCDD5409	237,0	205,3	5,6

△ = Versione standard con O-ring in NBR. Standard line with NBR O-ring.

▽ = Con O-ring in FKM a richiesta. With FKM O-ring on request.

CON ATTUATORE PNEUMATICO SEMPLICE EFFETTO WITH SPRING RETURN PNEUMATIC ACTUATOR

MISURA SIZE		CODICE ARTICOLO - versione EN ISO 228 ITEM CODE - EN ISO 228 version	CODICE ARTICOLO - versione NPT ITEM CODE - NPT version	ATTUATORE ACTUATOR	KIT montaggio Mounting KIT	N [mm]	H [mm]	Kg
DN [mm]	[inch]							
DN 06	1/8"	SHA5AABAB01AFCA0	SHA5AABAB41AFCA0	SRN0015401S	KCNAADD5401	233,2	146,2	1,9
DN 08	1/4"	SHA5AABAB02AFCA0	SHA5AABAB42AFCA0	SRN0015401S	KCNAADD5401	233,2	146,9	1,9
DN 10	3/8"	SHA5BABAB03AFEA0	SHA5BABAB43AFEA0	SRN0030402S	KCNBCDD5408	258,8	175,7	3,4
DN 15	1/2"	SHA5BABAB04AFGA0	SHA5BABAB44AFGA0	SRN0053401S	KCNBCDD5411	304,2	191,3	4,9
DN 20	3/4"	SHA5BABAB05AFHA0	SHA5BABAB45AFHA0	SRN0060401S	KCNCCDD5409	338,5	198,0	5,6
DN 25	1"	SHA5BABAB06AFIA0	SHA5BABAB46AFIA0	SRN0090401S	KCNCCDD5412	393,7	232,5	9,2

△ = Versione standard con O-ring in NBR. Standard line with NBR O-ring.

▽ = Con O-ring in FKM a richiesta. With FKM O-ring on request.

Dimensionamento degli attuatori pneumatici fatto considerando una pressione minima di alimentazione pari a 5,6 barg.
Sizing of pneumatic actuators by minimum pressure rate 5,6 barg.

Versione con Attuatore Elettrico A RICHIESTA (NOTA: gli attuatori elettrici OMAL non sono disponibili in versione ATEX)
Version with Electric Actuator ON REQUEST (PLEASE NOTE: OMAL electric actuators are not available in ATEX execution)



HERCULES

ALTA PRESSIONE - ALTA CICLICITÀ **ACCIAIO INOX**
 HIGH PRESSURE - HIGH CYCLE **STAINLESS STEEL**

**CARATTERISTICHE GENERALI:**

- Estremità filettate EN ISO 228 o NPT.
- Temperatura di utilizzo: da -20°C a +100°C con Oring in NBR;
da -30°C a +160°C con Oring in FKM (a richiesta).
- Pressione di utilizzo: PN500/7000 psi DN6, DN8, DN10, DN15;
PN400/6000 psi DN20 e DN25;
- Fluido intercettato: fluidi autolubrificanti (liquidi e gassosi), purché compatibili con i materiali costruttivi. Per fluidi non-autolubrificanti (acqua, ...) o altre applicazioni rivolgersi all'ufficio commerciale.
- Antistatic device.
- Fire safe design.

ESECUZIONI SPECIALI A RICHIESTA:

- Per altre applicazioni consultare il nostro ufficio commerciale.

CERTIFICAZIONI:

- Versione ATEX in conformità alla Direttiva Europea 2014/34/UE.
- Certificato ATEX a richiesta.
- Livello di sicurezza funzionale fino a SIL 3 in accordo a IEC 61508.
- Conforme alla Direttiva Europea 2014/68/UE PED.

GENERAL FEATURES:

- Threaded ends EN ISO 228 o NPT.
- Working temperature: from -20°C to +100°C with NBR Oring;
from -30°C to +160°C with FKM Oring (on request).
- Working pressure: DN6, DN8, DN10, DN15 PN500/7000 psi;
DN20 e DN25 PN400/6000 psi;
- Working media: self-lubricating fluids (liquid and gaseous), provided they are compatible with the construction materials. For non-self-lubricating fluids (water, ...) or other applications, contact our sales department.
- Antistatic device.
- Fire safe design.

SPECIAL EXECUTION ON REQUEST:

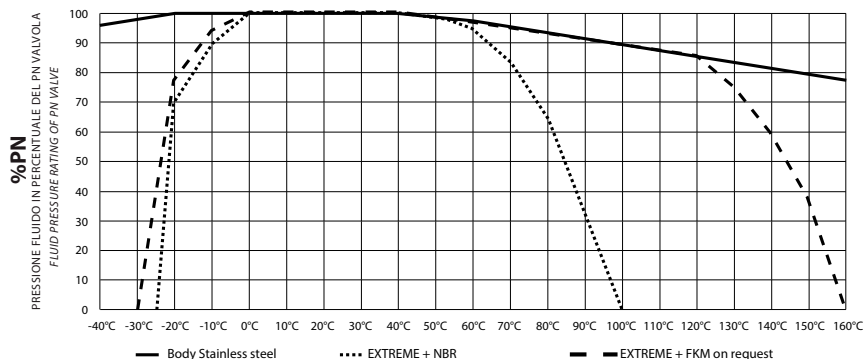
- For other applications, please contact our sales department.

CERTIFICATIONS:

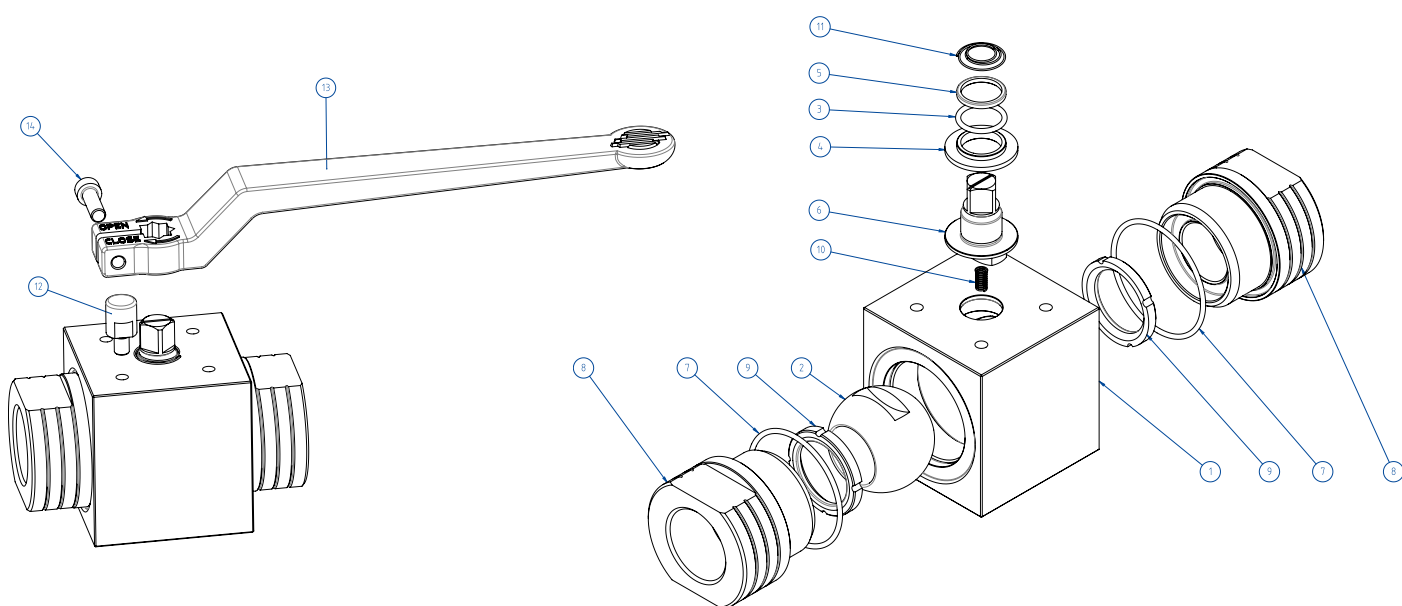
- ATEX version in conformity with European Directive 2014/34/EU.
- ATEX certificate on request.
- Safety integrity level up to SIL 3 according to the IEC 61508.
- In compliance with European Directive 2014/68/EU PED.



DIAGRAMMA PRESSIONE/TEMPERATURA PRESSURE/TEMPERATURE DIAGRAM



DN6, DN8, DN10, DN15	PN500/7000 psi
DN20 e DN25	PN400/6000 psi



MATERIALI MATERIALS		
1	Corpo Body	Inox 1.4401 / X5CrNiMo17-12-2 / A182 F316 / A479 tp. 316
2	Sfera Ball	A217 CA15 / A479 tp. 410 / A182 F6A + Hard chromium plated
3*	O-ring	NBR (FKM on request)
4*	Bussola inferiore Lower bush	Modified nylon PA66
5*	Bussola superiore Upper bush	Modified nylon PA66
6	Stelo Stem	A564 Tp 630 (17-4 PH)
7*	O-ring	NBR (FKM on request)
8	Manicotto Ends	Inox 1.4401 / X5CrNiMo17-12-2 / A182 F316 / A479 tp. 316
9*	Seggio Seats	DEVLON
10	Molla antistatic device Antistatic device spring	1.4310 - X12CrNi17-7
11	Molla antistatic device superiore Upper antistatic device spring	1.4310 - X12CrNi17-7
12**	Fermo Holder screw	X5CrNiMo1713 - 316 S.S.
13**	Leva Lever	EN AB 46100 - AL SI 11 CU (FE) Nichelata - Nickel coated
14**	Vite Screw	A2 - 70

* Componenti kit di guarnizioni Seals kit components
 ** Componenti del kit leva Lever kit components

COPPIE DI SPUNTO in Nm BREAKAWAY TORQUES Nm							
PN	Size	DN 6 1/8"	DN 8 1/4"	DN 10 3/8"	DN 15 1/2"	DN 20 3/4"	DN 25 1"
	PN 500 bar		10	18	20		
	PN 400 bar					31	40

I valori della coppia in Nm possono variare in funzione della temperatura e del fluido. Considerare un fattore di sicurezza pari a 1.4.
 Torque can vary depending on temperature and type of fluid, a safety factor 1.4 must be applied.

PORTATA KV m ³ /h FLOW RATE KV m ³ /h							
KV m ³ /h		5,2	11	20	60	100	
Il valore Kv è il valore di portata in m ³ /h (con acqua a 15°C) che provoca la caduta di pressione di 1 bar Kv is the coefficient, expressed in m ³ /h (with water at 15°C) causing a pressure loss of 1 bar.							

HERCULES



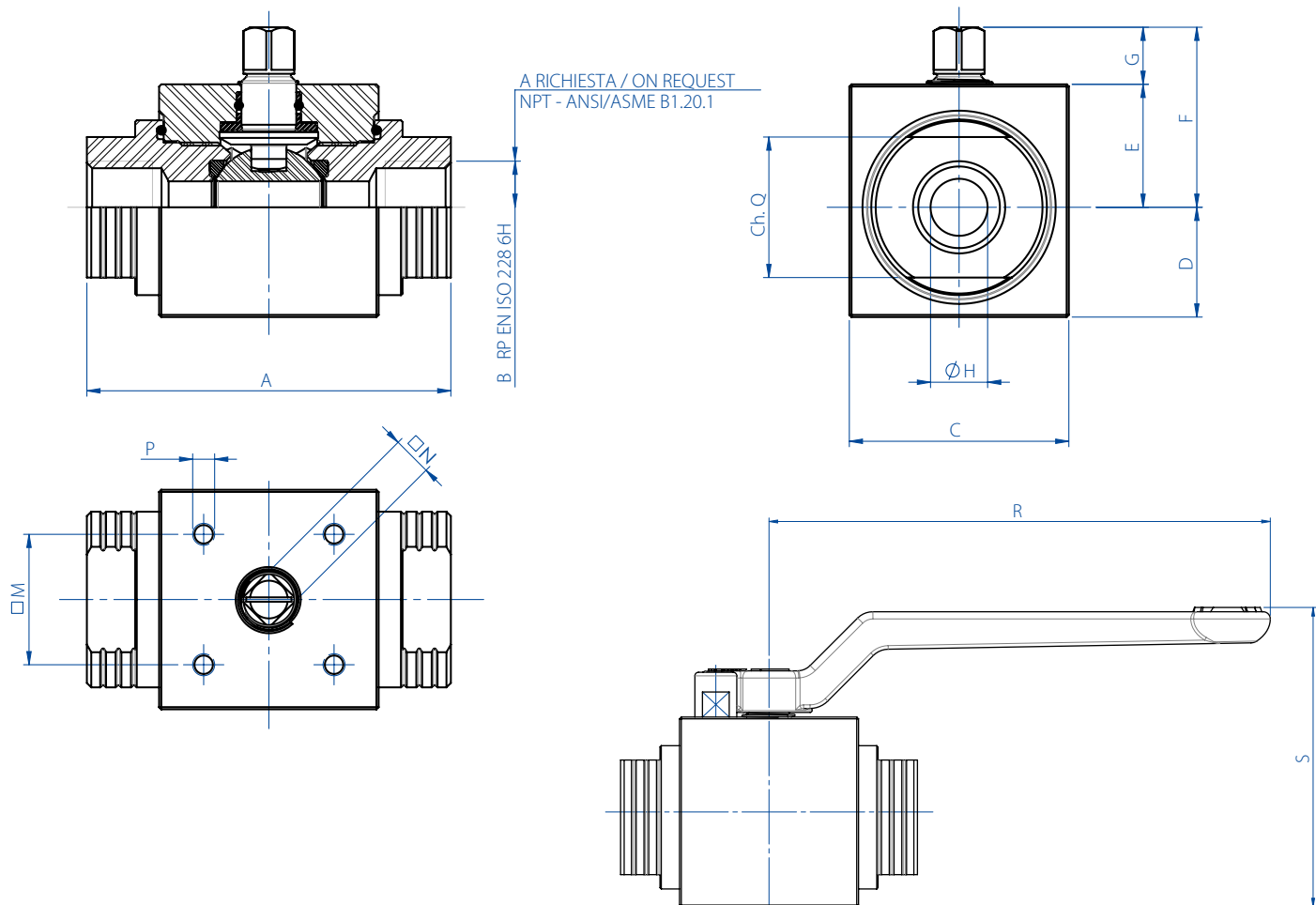
HERCULES - ALTA CICLICITÀ HIGH CYCLE

ACCIAIO INOX STAINLESS STEEL

ASSE LIBERO E CON LEVA FREE SHAFT AND WITH LEVER

		ASSE LIBERO FREE SHAFT		CON LEVA WITH LEVER				
MISURA	SIZE	Asse libero - ISO228	Asse libero - NPT	Con leva - ISO228	Con leva - NPT	Kit leva	Kg	Kit guarnizioni -Vers. STD
DN [mm]	[inch]	Free shaft - ISO228	Free shaft - NPT	With lever - ISO228	With lever - NPT	Lever kit		Seals Kit - STD version
DN 6	1/8"	VHA4AABAB01	VHA4AABAB41	LHA4AABAB01	LHA4AABAB41	KLVVH401	0,32	KGBVHPV01D
DN 8	1/4"	VHA4AABAB02	VHA4AABAB42	LHA4AABAB02	LHA4AABAB42	KLVVH401	0,31	KGBVHPV01D
DN 10	3/8"	VHA4BABAB03	VHA4BABAB43	LHA4BABAB03	LHA4BABAB43	KLVVH403	0,76	KGBVHPV03N
DN 15	1/2"	VHA4BABAB04	VHA4BABAB44	LHA4BABAB04	LHA4BABAB44	KLVVH403	1,10	KGBVHPV04N
DN 20	3/4"	VHA4BABAB05	VHA4BABAB45	LHA4BABAB05	LHA4BABAB45	KLVVH405	1,46	KGBVHPV05N
DN 25	1"	VHA4BABAB06	VHA4BABAB46	LHA4BABAB06	LHA4BABAB46	KLVVH405	2,30	KGBVHPV06N

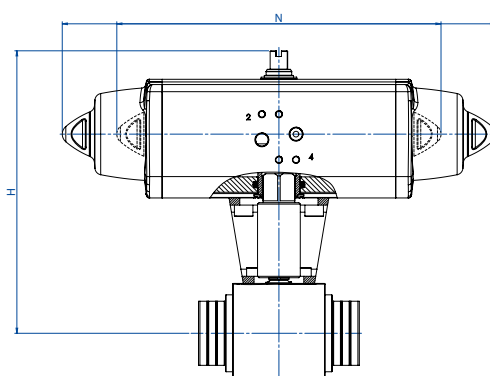
△ = Versione standard con O-ring in NBR. Standard line with NBR O-ring.
 ▽ = Con O-ring in FKM a richiesta. With FKM O-ring on request.



		DIMENSIONI DIMENSIONS													
MISURA	SIZE	A	B	C	D	E	F	G	ØH	Ch.Q	□M	□N	P	R	S
DN [mm]	[inch]														
DN 6	1/8"	69	1/8"	30	13	17	27	10	6	19	21x30	6	M5	103,5	56,1
DN 8	1/4"	69	1/4"	30	13	17	27	10	6	19	21x30	6	M5	103,5	56,1
DN 10	3/8"	72	3/8"	45	19,7	25,3	38,3	13	9	24	29,7 (F04)	9	M5	140	75,5
DN 15	1/2"	83	1/2"	50	25	28	41	13	13	32	29,7 (F04)	9	M5	140	83,6
DN 20	3/4"	95	3/4"	55	27,5	31	46	15	19	37	35,36 (F05)	11	M6	212	94,8
DN 25	1"	113	1"	65	32,5	35	50	15	25	45	35,36 (F05)	11	M6	212	103,8



HERCULES - ALTA CICLICITÀ HIGH CYCLE ACCIAIO INOX STAINLESS STEEL CON ATTUATORE WITH ACTUATOR



CON ATTUATORE PNEUMATICO DOPPIO EFFETTO WITH DOUBLE ACTING PNEUMATIC ACTUATOR

MISURA SIZE		CODICE ARTICOLO - versione EN ISO 228 ITEM CODE - EN ISO 228 version	CODICE ARTICOLO - versione NPT ITEM CODE - NPT version	ATTUATORE ACTUATOR	KIT montaggio Mounting KIT	N [mm]	H [mm]	Kg
DN [mm]	[inch]							
DN 06	1/8"	DHA4AABAB01AFBA0	DHA4AABAB41AFBA0	DAN0015411S	KCNAADD5401	159,0	139,2	1,5
DN 08	1/4"	DHA4AABAB02AFBA0	DHA4AABAB42AFBA0	DAN0015411S	KCNAADD5401	159,0	139,2	1,5
DN 10	3/8"	DHA4BABAB03AFCA0	DHA4BABAB43AFCA0	DAN0030411S	KCNBCDD5403	174,2	164,5	2,4
DN 15	1/2"	DHA4BABAB04AFDA0	DHA4BABAB44AFDA0	DAN0045412S	KCNBCDD5403	188,5	175,5	2,9
DN 20	3/4"	DHA4BABAB05AFEA0	DHA4BABAB45AFEA0	DAN0060412S	KCNCCDD5405	198,0	185,4	3,8
DN 25	1"	DHA4BABAB06AFGA0	DHA4BABAB46AFGA0	DAN0106411S	KCNCCDD5409	237,0	205,3	5,6

△ = Versione standard con O-ring in NBR. Standard line with NBR O-ring.

▽ = Con O-ring in FKM a richiesta. With FKM O-ring on request.

CON ATTUATORE PNEUMATICO SEMPLICE EFFETTO WITH SPRING RETURN PNEUMATIC ACTUATOR

MISURA SIZE		CODICE ARTICOLO - versione EN ISO 228 ITEM CODE - EN ISO 228 version	CODICE ARTICOLO - versione NPT ITEM CODE - NPT version	ATTUATORE ACTUATOR	KIT montaggio Mounting KIT	N [mm]	H [mm]	Kg
DN [mm]	[inch]							
DN 06	1/8"	SHA4AABAB01AFCA0	SHA4AABAB41AFCA0	SRN0015401S	KCNAADD5401	233,2	146,2	1,9
DN 08	1/4"	SHA4AABAB02AFCA0	SHA4AABAB42AFCA0	SRN0015401S	KCNAADD5401	233,2	146,9	1,9
DN 10	3/8"	SHA4BABAB03AFEA0	SHA4BABAB43AFEA0	SRN0030402S	KCNBCDD5408	258,8	175,7	3,4
DN 15	1/2"	SHA4BABAB04AFGA0	SHA4BABAB44AFGA0	SRN0053401S	KCNBCDD5411	304,2	191,3	4,9
DN 20	3/4"	SHA4BABAB05AFHA0	SHA4BABAB45AFHA0	SRN0060401S	KCNCCDD5409	338,5	198,0	5,6
DN 25	1"	SHA4BABAB06AFIA0	SHA4BABAB46AFIA0	SRN0090401S	KCNCCDD5412	393,7	232,5	9,2

△ = Versione standard con O-ring in NBR. Standard line with NBR O-ring.

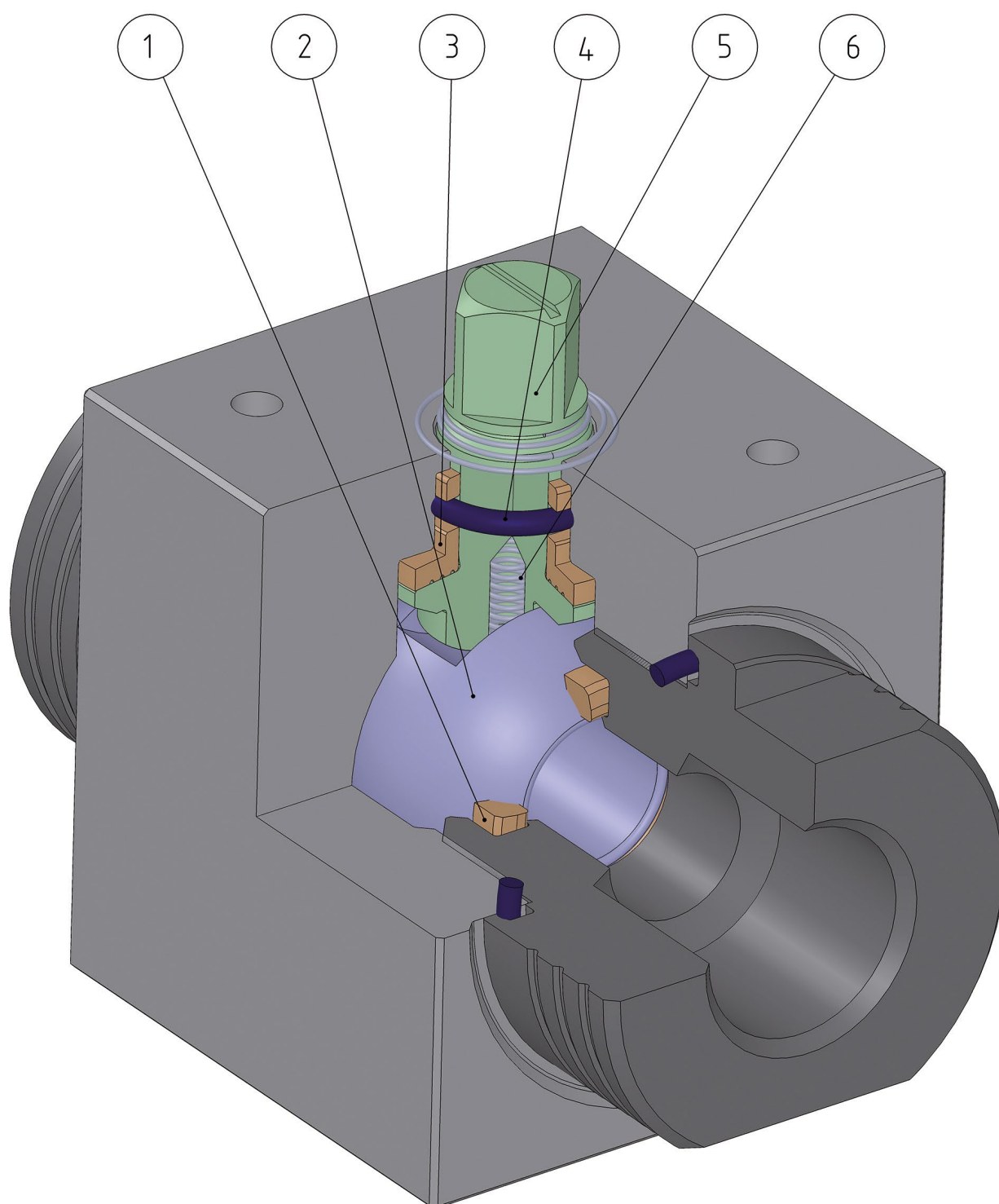
▽ = Con O-ring in FKM a richiesta. With FKM O-ring on request.

Dimensionamento degli attuatori pneumatici fatto considerando una pressione minima di alimentazione pari a 5,6 barg.
Sizing of pneumatic actuators by minimum pressure rate 5,6 barg.

Versione con Attuatore Elettrico A RICHIESTA (NOTA: gli attuatori elettrici OMAL non sono disponibili in versione ATEX)
Version with Electric Actuator ON REQUEST (PLEASE NOTE: OMAL electric actuators are not available in ATEX execution)



HERCULES ALTA CICLICITÀ *HIGH CYCLE* PER FLUIDI NON AUTO-LUBRIFICANTI *NON SELF-LUBRICATING MEDIA*





FEATURES & BENEFITS

1	Tenuta in "LUBROSEAT" <i>Seat in "LUBROSEAT"</i>	Compound di resina acetalica con additivi a proprietà autolubrificanti. <i>Acetal resin compound containing self-lubricating additives.</i>
		Ideale per intercettare fluidi non autolubrificanti. <i>Ideal for non-lubricating fluids.</i>
		Elevata resistenza alla sollecitazione. <i>High resistance to stress.</i>
2	Sfera in acciaio inossidabile con rivestimento in Cromo Duro da 40µm <i>Stainless steel ball, coated with 40µm Hard Chrome</i>	Maggior tenuta nel tempo grazie alla bassa usura della sfera. <i>Longer seal life due to the low wear of the ball.</i>
3	Supporto stelo in "POWERAMMIDE" <i>"POWERAMMIDE"* stem bush</i>	Si ha un perfetto allineamento dell'albero sul corpo e si evitano oscillazioni con alte pressioni. <i>It grants a perfect alignment of the shaft on the body and prevents oscillations with high pressure.</i>
		Nessuna possibilità di grippaggio. <i>No seizing.</i>
		Elevato numero di azionamenti. <i>High number of cycles.</i>
4	O-ring in elastomero da 90 Shore A <i>Elastomer O-Ring with a hardness of 90 Shore A</i>	Nessun deperimento dovuto ad azionamenti estremamente veloci. <i>No deterioration with quick operations.</i>
4	O-ring a bassa permeabilità "Rapid Gas Decompression" <i>Low-permeability O-ring "Rapid Gas Decompression"</i>	Buona resistenza alla decompressione esplosiva. <i>Good resistance to explosive decompression.</i>
5	Stelo in 17-4 PH H900 <i>Stem in 17-4 PH H900</i>	Maggior resistenza meccanica di circa 5 volte rispetto ad un classico 316 S.S. <i>Increased mechanical strenght about 5 times more compared to a standard 316 S.S.</i>
5	Rullatura stelo <i>Shaft rolling</i>	Minor usura delle guarnizioni grazie alla bassa rugosità (0,4 micron Ra) dello stelo che facilita lo scorrimento. <i>Less wear of the seals due to the low roughness (0,4 micron Ra) which facilitate the sliding of the shaft.</i>
6	Antistatic device (continuità elettrica tra sfera, stelo e corpo) <i>Antistatic device (electrical continuity between ball, stem and body)</i>	Si evitano cariche elettrostatiche che potrebbero essere causa d'innesco in ambienti infiammabili e/o esplosivi. <i>Static electricity is avoided which can cause sparks and fire in an inflammable/explosive environment.</i>
		Sicurezza garantita del contatto durante tutta la vita della valvola. <i>Contact safety throughout the entire life of the valve.</i>
		Fire safe design <i>Fire safe design</i>
	Certificato ATEX <i>Atex Certificate</i>	Ne consente l'installazione in presenza di ambiente potenzialmente esplosivo. <i>Installation is possible in a potential explosive environment.</i>
	Certificato fino a SIL 3 <i>UP to SIL 3 certified</i>	Elevato livello di sicurezza funzionale <i>Guarantee of the high level of functional safety</i>



HERCULES ALTA CICLICITÀ HIGH CYCLE

PER FLUIDI NON AUTO-LUBRIFICANTI NON SELF-LUBRICATING MEDIA

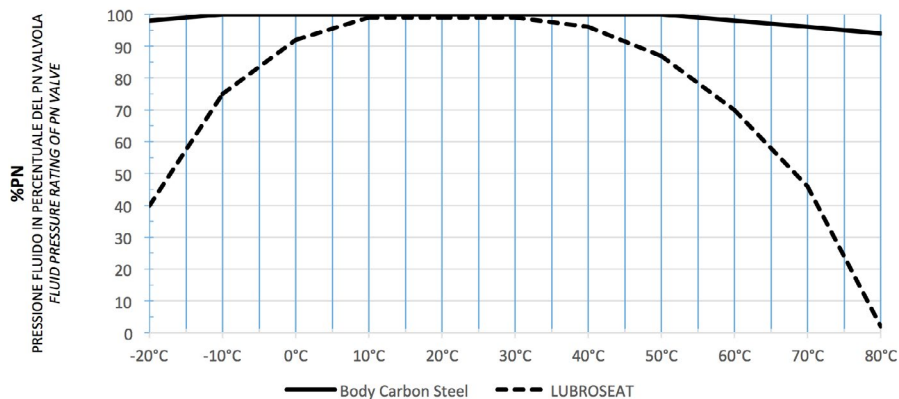
ACCIAIO AL CARBONIO CARBON STEEL



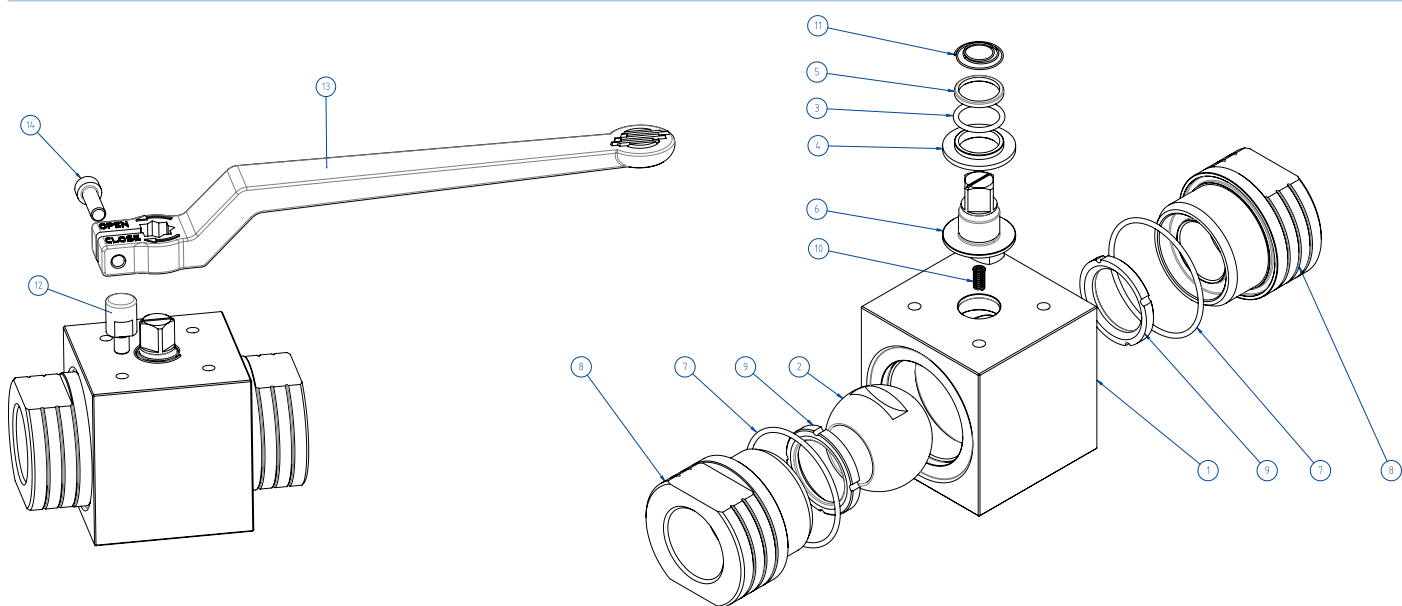
<p>CARATTERISTICHE GENERALI:</p> <ul style="list-style-type: none"> • Estremità filettate EN ISO 228 o NPT. • Temperatura di utilizzo: da -20°C a +80°C. • Pressioni di utilizzo: PN400/6000 psi DN10, DN15, DN20; PN320/4500 psi DN25. • Fluido intercettato: olii, prodotti petroliferi e petrolchimici, acqua e altri purché compatibili con i materiali costruttivi. • Antistatic device. • Fire safe design. 	<p>GENERAL FEATURES:</p> <ul style="list-style-type: none"> • Ends: Threaded ends EN ISO 228 or NPT. • Working temperature: from -20°C to +80°C. • Working pressure: PN400/6000 psi DN10, DN15, DN20; PN320/4500 psi DN25. • Working media: oils, petroleum and petrochemical products, water and other compatible with the constructive materials. • Antistatic device. • Fire safe design.
<p>ESECUZIONI SPECIALI A RICHIESTA:</p> <ul style="list-style-type: none"> • Per altre applicazioni consultare il nostro ufficio commerciale. 	<p>SPECIAL EXECUTION ON REQUEST:</p> <ul style="list-style-type: none"> • For other applications, please contact our sales department.
<p>CERTIFICAZIONI:</p> <ul style="list-style-type: none"> • Versione ATEX in conformità alla Direttiva Europea 2014/34/UE. • Certificato ATEX a richiesta. • Livello di sicurezza funzionale fino a SIL 3 in accordo a IEC 61508. • Conforme alla Direttiva Europea 2014/68/UE PED. 	<p>CERTIFICATIONS:</p> <ul style="list-style-type: none"> • ATEX version in conformity with European Directive 2014/34/EU. • ATEX certificate on request. • Safety integrity level up to SIL 3 according to the IEC 61508. • In compliance with European Directive 2014/68/EU PED.



DIAGRAMMA PRESSIONE/TEMPERATURA PRESSURE/TEMPERATURE DIAGRAM



DN10, DN15, DN20	PN400/6000 psi
DN25	PN320/4500 psi



MATERIALI		MATERIALS
1	Corpo Body	≤DN25: 1.0737 (11SMnPb37);
2	Sfera Ball	A217 CA15 / A479 tp. 410 / A182 F6A + Hard chromium plated
3*	O-ring	NBR (FKM on request)
4*	Bussola inferiore Lower bush	Modified nylon PA66
5*	Bussola superiore Upper bush	Modified nylon PA66
6	Stelo Stem	A564 Tp 630 (17-4 PH)
7*	O-ring	NBR (FKM on request)
8	Manicotto Ends	≤DN25: 1.0737 (11SMnPb37) / ASTM A350 LF2;
9*	Seggio Seats	Filled POM
10	Molla antistatic device Antistatic device spring	1.4310 - X12CrNi17-7
11	Molla antistatic device superiore Upper antistatic device spring	1.4310 - X12CrNi17-7
12**	Fermo Holder screw	X5CrNiMo1713 - 316 S.S.
13**	Leva Lever	EN AB 46100 - AL SI 11 CU (FE) Verniciata - Painted
14**	Vite Screw	A2 - 70

* Componenti kit di guarnizioni Seals kit components
 ** Componenti dei kit leva Lever kit components

COPPIE DI SPUNTO in Nm		BREAKAWAY TORQUES Nm			
PN	Size	DN 10 3/8"	DN 15 1/2"	DN 20 3/4"	DN 25 1"
PN 400 bar		20	31	40	
PN 320 bar		15	25	34	62
PN 100 bar		10	20	30	39

I valori della coppia in Nm possono variare in funzione della temperatura e del fluido. Considerare un fattore di sicurezza pari a 1.4.
 Torque can vary depending on temperature and type of fluid, a safety factor 1.4 must be applied.

PORTATA KV m ³ /h		FLOW RATE KV m ³ /h			
KV m ³ /h		11	20	60	100
Il valore Kv è il valore di portata in m ³ /h (con acqua a 15°C) che provoca la caduta di pressione di 1 bar Kv is the coefficient, expressed in m ³ /h (with water at 15°C) causing a pressure loss of 1 bar.					

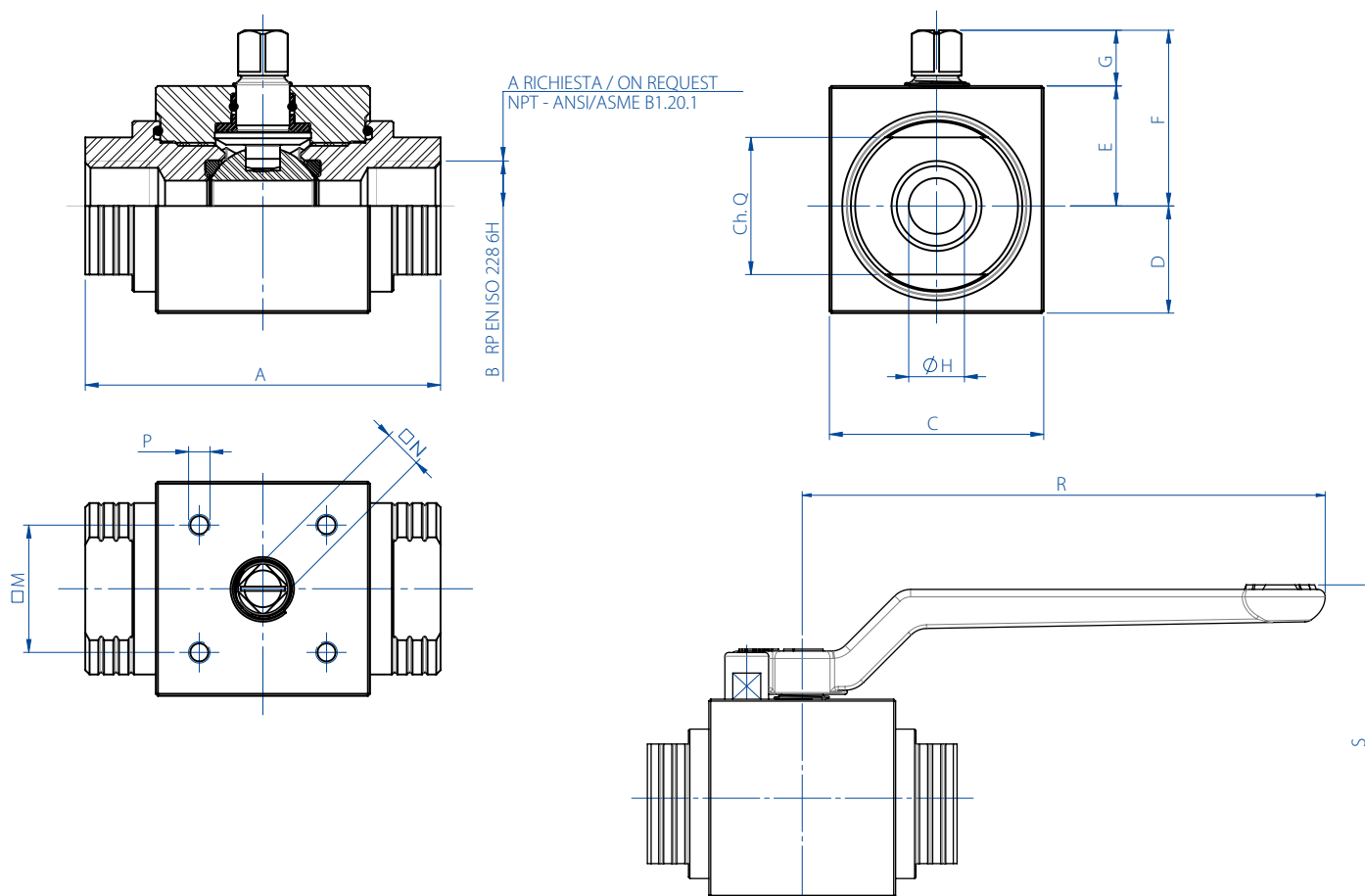
HERCULES



HERCULES - ALTA CICLICITÀ HIGH CYCLE
FLUIDI NON AUTO-LUBRIFICANTI NON SELF-LUBRICATING MEDIA
ACCIAIO AL CARBONIO CARBON STEEL
ASSE LIBERO E CON LEVA FREE SHAFT AND WITH LEVER

		ASSE LIBERO FREE SHAFT		CON LEVA WITH LEVER				
MISURA SIZE		Asse libero - ISO228 Free shaft - ISO228	Asse libero - NPT Free shaft - NPT	Con leva - ISO228 With lever - ISO228	Con leva - NPT With lever - NPT	Kit leva Lever kit	Kg	Kit guarnizioni Seals Kit
DN [mm]	[inch]							
DN 10	3/8"	VHA5BABAP03	VHA5BABAP43	LHA5BABAP03	LHA5BABAP43	KLVVH503	0,76	KGBVHPV03P
DN 15	1/2"	VHA5BABAP04	VHA5BABAP44	LHA5BABAP04	LHA5BABAP44	KLVVH503	1,10	KGBVHPV04P
DN 20	3/4"	VHA5BABAP05	VHA5BABAP45	LHA5BABAP05	LHA5BABAP45	KLVVH505	1,46	KGBVHPV05P
DN 25	1"	VHA5BABAP06	VHA5BABAP46	LHA5BABAP06	LHA5BABAP46	KLVVH505	2,30	KGBVHPV06P

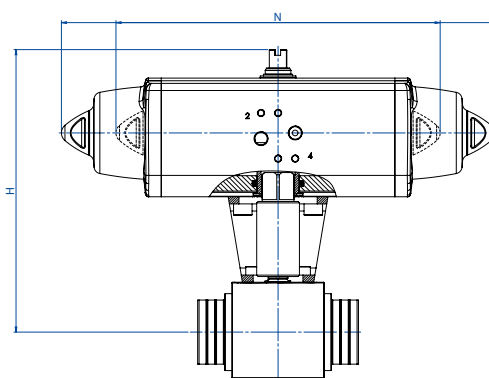
Δ = Versione standard con O-ring in NBR. Standard line with NBR O-ring.
 √ = Con O-ring in FKM a richiesta. With FKM O-ring on request.



		DIMENSIONI DIMENSIONS													
MISURA SIZE		A	B	C	D	E	F	G	ØH	Ch.Q	□M	□N	P	R	S
DN [mm]	[inch]														
DN 10	3/8"	72	3/8"	45	19,7	25,3	38,3	13	9	24	29,7 (F04)	9	M5	140	75,5
DN 15	1/2"	83	1/2"	50	25	28	41	13	13	32	29,7 (F04)	9	M5	140	83,6
DN 20	3/4"	95	3/4"	55	27,5	31	46	15	19	37	35,36 (F05)	11	M6	212	94,8
DN 25	1"	113	1"	65	32,5	35	50	15	25	45	35,36 (F05)	11	M6	212	103,8



HERCULES - ALTA CICLICITÀ HIGH CYCLE
FLUIDI NON AUTO-LUBRIFICANTI NON SELF-LUBRICATING MEDIA
ACCIAIO AL CARBONIO CARBON STEEL
CON ATTUATORE WITH ACTUATOR



CON ATTUATORE PNEUMATICO DOPPIO EFFETTO
WITH DOUBLE ACTING PNEUMATIC ACTUATOR

MISURA SIZE		CODICE ARTICOLO - versione EN ISO 228 ITEM CODE - EN ISO 228 version	CODICE ARTICOLO - versione NPT ITEM CODE - NPT version	ATTUATORE ACTUATOR	KIT montaggio Mounting KIT	N [mm]	H [mm]	Kg
DN [mm]	[inch]							
DN 10	3/8"	DHA5BABAP03AFCA0	DHA5BABAP43AFCA0	DAN0030411S	KCNBCDD5403	174,2	164,5	2,4
DN 15	1/2"	DHA5BABAP04AFDA0	DHA5BABAP44AFDA0	DAN0045412S	KCNBCDD5403	188,5	175,5	2,9
DN 20	3/4"	DHA5BABAP05AFEAO	DHA5BABAP45AFEAO	DAN0060412S	KCNCCDD5405	198,0	185,4	3,8
DN 25	1"	DHA5BABAP06AFGA0	DHA5BABAP46AFGA0	DAN0106411S	KCNCCDD5409	237,0	205,3	5,6

△ = Versione standard con O-ring in NBR. Standard line with NBR O-ring.
 √ = Con O-ring in FKM a richiesta. With FKM O-ring on request.

CON ATTUATORE PNEUMATICO SEMPLICE EFFETTO
WITH SPRING RETURN PNEUMATIC ACTUATOR

MISURA SIZE		CODICE ARTICOLO - versione EN ISO 228 ITEM CODE - EN ISO 228 version	CODICE ARTICOLO - versione NPT ITEM CODE - NPT version	ATTUATORE ACTUATOR	KIT montaggio Mounting KIT	N [mm]	H [mm]	Kg
DN [mm]	[inch]							
DN 10	3/8"	SHA5BABAP03AFEAO	SHA5BABAP43AFEAO	SRN0030402S	KCNBCDD5408	258,8	175,7	3,4
DN 15	1/2"	SHA5BABAP04AFGA0	SHA5BABAP44AFGA0	SRN0053401S	KCNBCDD5411	304,2	191,3	4,9
DN 20	3/4"	SHA5BABAP05AFHA0	SHA5BABAP45AFHA0	SRN0060401S	KCNCCDD5409	338,5	198,0	5,6
DN 25	1"	SHA5BABAP06AFIA0	SHA5BABAP46AFIA0	SRN0090401S	KCNCCDD5412	393,7	232,5	9,2

△ = Versione standard con O-ring in NBR. Standard line with NBR O-ring.
 √ = Con O-ring in FKM a richiesta. With FKM O-ring on request.

Dimensionamento degli attuatori pneumatici fatto considerando una pressione minima di alimentazione pari a 5,6 barg.
 Sizing of pneumatic actuators by minimum pressure rate 5,6 barg.

Versione con Attuatore Elettrico A RICHIESTA (NOTA: gli attuatori elettrici OMAL non sono disponibili in versione ATEX)
 Version with Electric Actuator ON REQUEST (PLEASE NOTE: OMAL electric actuators are not available in ATEX execution)



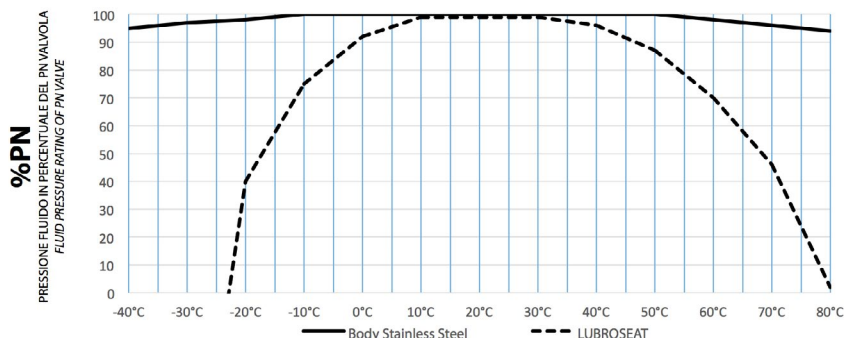
HERCULES ALTA CICLICITÀ *HIGH CYCLE* PER FLUIDI NON AUTO-LUBRIFICANTI *NON SELF-LUBRICATING MEDIA* **ACCIAIO INOX** *STAINLESS STEEL*



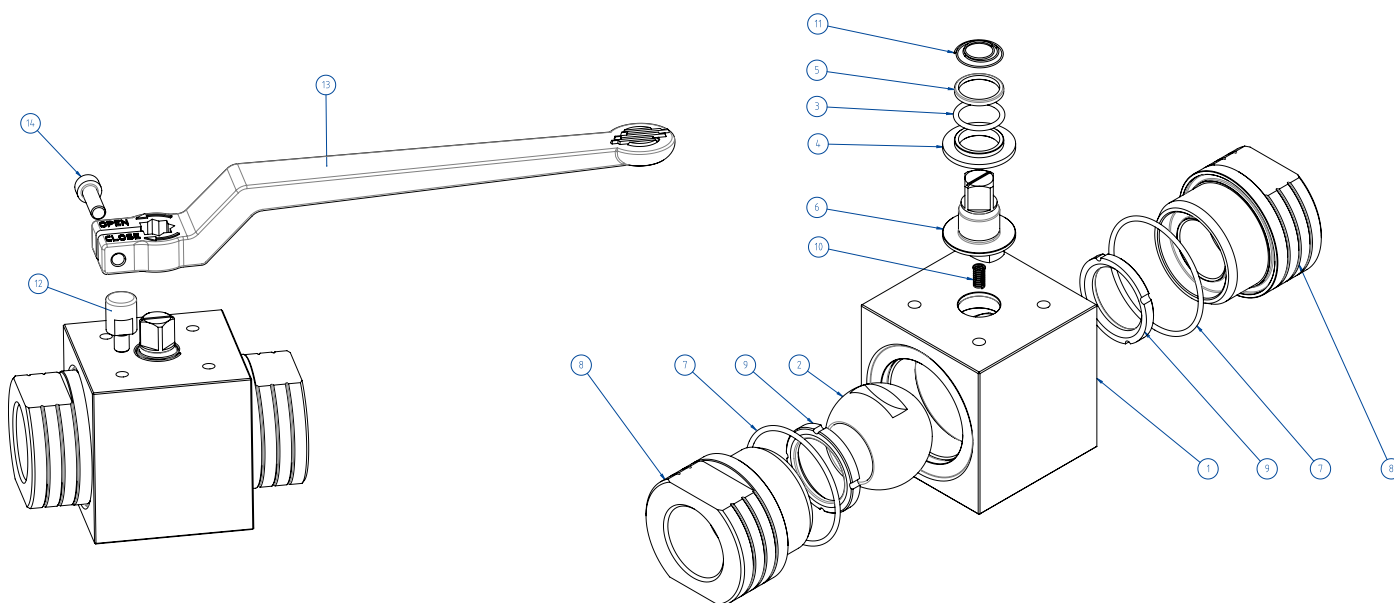
<p>CARATTERISTICHE GENERALI:</p> <ul style="list-style-type: none">• Estremità filettate EN ISO 228 o NPT.• Temperatura di utilizzo: da -20°C a +80°C.• Pressioni di utilizzo: PN400/6000 psi DN10, DN15, DN20; PN320/4500 psi DN25.• Fluido intercettato: olii, prodotti petroliferi e petrolchimici, acqua e altri purchè compatibili con i materiali costruttivi.• Antistatic device.• Fire safe design.	<p>GENERAL FEATURES:</p> <ul style="list-style-type: none">• <i>Ends: Threaded ends EN ISO 228 or NPT.</i>• <i>Working temperature: from -20°C to +80°C.</i>• <i>Working pressure: PN400/6000 psi DN10, DN15, DN20; PN320/4500 psi DN25.</i>• <i>Working media: oils, petroleum and petrochemical products, water and other compatible with the constructive materials.</i>• <i>Antistatic device.</i>• <i>Fire safe design.</i>
<p>ESECUZIONI SPECIALI A RICHIESTA:</p> <ul style="list-style-type: none">• Per altre applicazioni consultare il nostro ufficio commerciale.	<p>SPECIAL EXECUTION ON REQUEST:</p> <ul style="list-style-type: none">• <i>For other applications, please contact our sales department.</i>
<p>CERTIFICAZIONI:</p> <ul style="list-style-type: none">• Versione ATEX in conformità alla Direttiva Europea 2014/34/UE.• Certificato ATEX a richiesta.• Livello di sicurezza funzionale fino a SIL 3 in accordo a IEC 61508.• Conforme alla Direttiva Europea 2014/68/UE PED.	<p>CERTIFICATIONS:</p> <ul style="list-style-type: none">• <i>ATEX version in conformity with European Directive 2014/34/EU.</i>• <i>ATEX certificate on request.</i>• <i>Safety integrity level up to SIL 3 according to the IEC 61508.</i>• <i>In compliance with European Directive 2014/68/EU PED.</i>



DIAGRAMMA PRESSIONE/TEMPERATURA PRESSURE/TEMPERATURE DIAGRAM



DN10, DN15, DN20	PN400/6000 psi
DN25	PN320/4500 psi



MATERIALI MATERIALS		
1	Corpo Body	Inox 1.4401 / X5CrNiMo17-12-2 / A182 F316 / A479 tp. 316
2	Sfera Ball	A217 CA15 / A479 tp. 410 / A182 F6A + Hard chromium plated
3*	O-ring	NBR (FKM on request)
4*	Bussola inferiore Lower bush	Modified nylon PA66
5*	Bussola superiore Upper bush	Modified nylon PA66
6	Stelo Stem	A564 Tp 630 (17-4 PH)
7*	O-ring	NBR (FKM on request)
8	Manicotto Ends	Inox 1.4401 / X5CrNiMo17-12-2 / A182 F316 / A479 tp. 316
9*	Seggio Seats	Filled POM
10	Molla antistatic device Antistatic device spring	1.4310 - X12CrNi17-7
11	Molla antistatic device superiore Upper antistatic device spring	1.4310 - X12CrNi17-7
12**	Fermo Holder screw	X5CrNiMo1713 - 316 S.S.
13**	Leva Lever	EN AB 46100 - AL SI 11 CU (FE) Nichelata - Nickel coated
14**	Vite Screw	A2 - 70

* Componenti kit di guarnizioni Seals kit components
 ** Componenti del kit leva Lever kit components

COPPIE DI SPUNTO in Nm BREAKAWAY TORQUES Nm					
PN	Size	DN 10 3/8"	DN 15 1/2"	DN 20 3/4"	DN 25 1"
	PN 400 bar	20	31	40	
	PN 320 bar	15	25	34	62
	PN 100 bar	10	20	30	39

I valori della coppia in Nm possono variare in funzione della temperatura e del fluido. Considerare un fattore di sicurezza pari a 1.4.
 Torque can vary depending on temperature and type of fluid, a safety factor 1.4 must be applied.

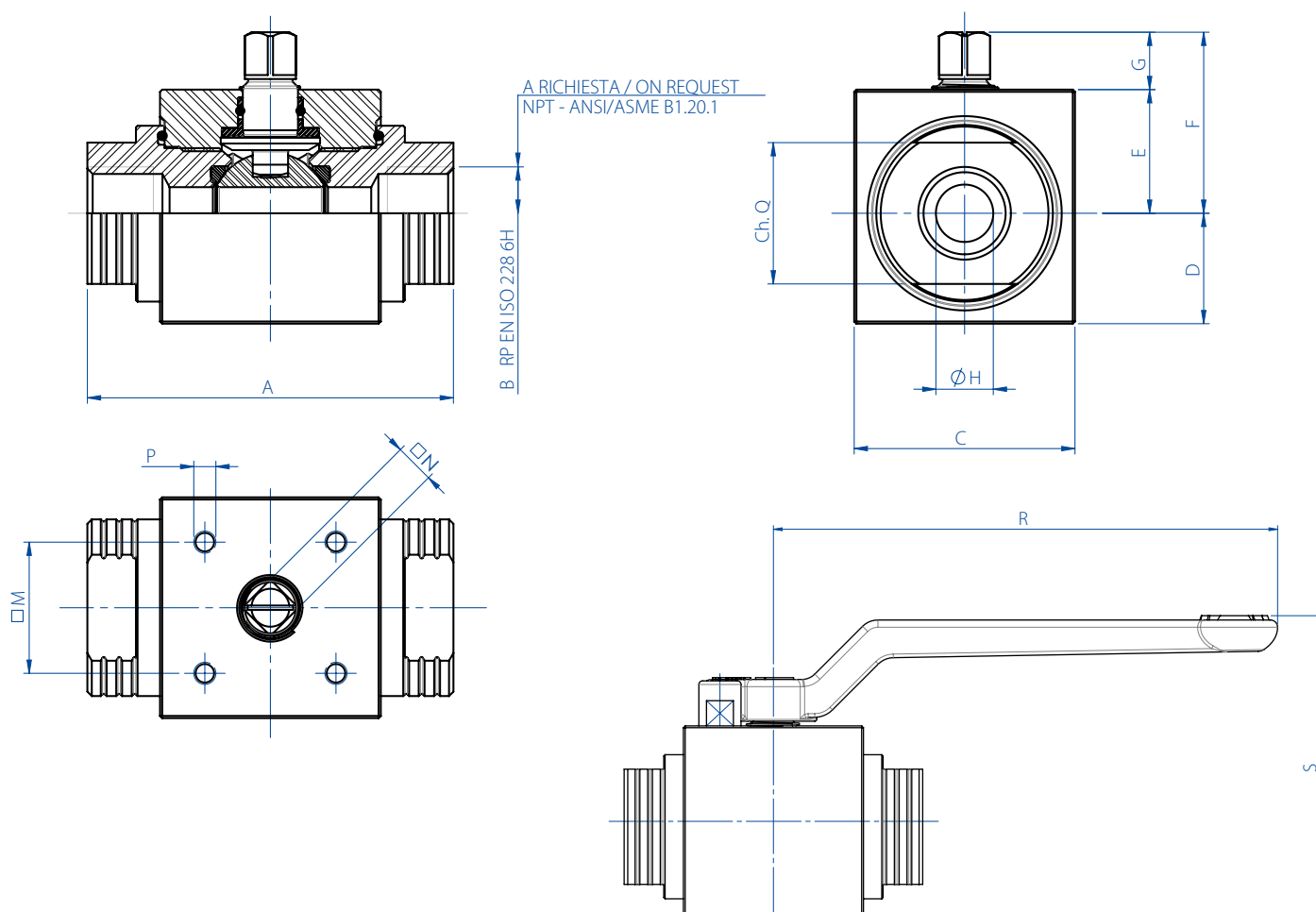
PORTATA KV m ³ /h FLOW RATE KV m ³ /h				
KV m ³ /h	11	20	60	100
Il valore Kv è il valore di portata in m ³ /h (con acqua a 15°C) che provoca la caduta di pressione di 1 bar Kv is the coefficient, expressed in m ³ /h (with water at 15°C) causing a pressure loss of 1 bar.				



HERCULES - ALTA CICLICITÀ HIGH CYCLE
FLUIDI NON AUTO-LUBRIFICANTI NON SELF-LUBRICATING MEDIA
ACCIAIO INOX STAINLESS STEEL
ASSE LIBERO E CON LEVA FREE SHAFT AND WITH LEVER

		ASSE LIBERO FREE SHAFT		CON LEVA WITH LEVER				
MISURA SIZE		Asse libero - ISO228 Free shaft - ISO228	Asse libero - NPT Free shaft - NPT	Con leva - ISO228 With lever - ISO228	Con leva - NPT With lever - NPT	Kit leva Lever kit	Kg	Kit guarnizioni Seals Kit
DN [mm]	[inch]							
DN 10	3/8"	VHA4BABAP03	VHA4BABAP43	LHA4BABAP03	LHA4BABAP43	KLVVH403	0,76	KGBVHPV03P
DN 15	1/2"	VHA4BABAP04	VHA4BABAP44	LHA4BABAP04	LHA4BABAP44	KLVVH403	1,10	KGBVHPV04P
DN 20	3/4"	VHA4BABAP05	VHA4BABAP45	LHA4BABAP05	LHA4BABAP45	KLVVH405	1,46	KGBVHPV05P
DN 25	1"	VHA4BABAP06	VHA4BABAP46	LHA4BABAP06	LHA4BABAP46	KLVVH405	2,30	KGBVHPV06P

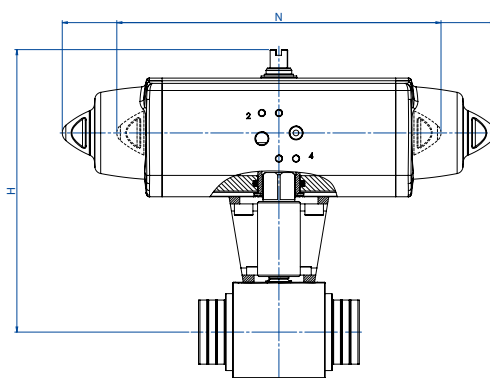
Δ = Versione standard con O-ring in NBR. Standard line with NBR O-ring.
 √ = Con O-ring in FKM a richiesta. With FKM O-ring on request.



		DIMENSIONI					DIMENSIONS									
MISURA SIZE		A	B	C	D	E	F	G	ØH	Ch.Q	□M	□N	P	R	S	
DN [mm]	[inch]															
DN 10	3/8"	72	3/8"	45	19,7	25,3	38,3	13	9	24	29,7 (F04)	9	M5	140	75,5	
DN 15	1/2"	83	1/2"	50	25	28	41	13	13	32	29,7 (F04)	9	M5	140	83,6	
DN 20	3/4"	95	3/4"	55	27,5	31	46	15	19	37	35,36 (F05)	11	M6	212	94,8	
DN 25	1"	113	1"	65	32,5	35	50	15	25	45	35,36 (F05)	11	M6	212	103,8	



HERCULES - ALTA CICLICITÀ HIGH CYCLE
FLUIDI NON AUTO-LUBRIFICANTI NON SELF-LUBRICATING MEDIA
ACCIAIO INOX STAINLESS STEEL
CON ATTUATORE WITH ACTUATOR



CON ATTUATORE PNEUMATICO DOPPIO EFFETTO
WITH DOUBLE ACTING PNEUMATIC ACTUATOR

MISURA SIZE		CODICE ARTICOLO - versione EN ISO 228 ITEM CODE - EN ISO 228 version	CODICE ARTICOLO - versione NPT ITEM CODE - NPT version	ATTUATORE ACTUATOR	KIT montaggio Mounting KIT	N [mm]	H [mm]	Kg
DN [mm]	[inch]							
DN 10	3/8"	DHA4BABAP03AFCA0	DHA4BABAP43AFCA0	DAN0030411S	KCNBCDD5403	174,2	164,5	2,4
DN 15	1/2"	DHA4BABAP04AFDA0	DHA4BABAP44AFDA0	DAN0045412S	KCNBCDD5403	188,5	175,5	2,9
DN 20	3/4"	DHA4BABAP05AFEAO	DHA4BABAP45AFEAO	DAN0060412S	KCNCCDD5405	198,0	185,4	3,8
DN 25	1"	DHA4BABAP06AFGA0	DHA4BABAP46AFGA0	DAN0106411S	KCNCCDD5409	237,0	205,3	5,6

△ = Versione standard con O-ring in NBR. Standard line with NBR O-ring.
 √ = Con O-ring in FKM a richiesta. With FKM O-ring on request.

CON ATTUATORE PNEUMATICO SEMPLICE EFFETTO
WITH SPRING RETURN PNEUMATIC ACTUATOR

MISURA SIZE		CODICE ARTICOLO - versione EN ISO 228 ITEM CODE - EN ISO 228 version	CODICE ARTICOLO - versione NPT ITEM CODE - NPT version	ATTUATORE ACTUATOR	KIT montaggio Mounting KIT	N [mm]	H [mm]	Kg
DN [mm]	[inch]							
DN 10	3/8"	SHA4BABAP03AFEAO	SHA4BABAP43AFEAO	SRN0030402S	KCNBCDD5408	258,8	175,7	3,4
DN 15	1/2"	SHA4BABAP04AFGA0	SHA4BABAP44AFGA0	SRN0053401S	KCNBCDD5411	304,2	191,3	4,9
DN 20	3/4"	SHA4BABAP05AFHA0	SHA4BABAP45AFHA0	SRN0060401S	KCNCCDD5409	338,5	198,0	5,6
DN 25	1"	SHA4BABAP06AFIA0	SHA4BABAP46AFIA0	SRN0090401S	KCNCCDD5412	393,7	232,5	9,2

△ = Versione standard con O-ring in NBR. Standard line with NBR O-ring.
 √ = Con O-ring in FKM a richiesta. With FKM O-ring on request.

Dimensionamento degli attuatori pneumatici fatto considerando una pressione minima di alimentazione pari a 5,6 barg.
 Sizing of pneumatic actuators by minimum pressure rate 5,6 barg.

Versione con Attuatore Elettrico A RICHIESTA (NOTA: gli attuatori elettrici OMAL non sono disponibili in versione ATEX)
 Version with Electric Actuator ON REQUEST (PLEASE NOTE: OMAL electric actuators are not available in ATEX execution)




TUVNORD

CERTIFICATE

This certifies, that the company

Omal S.p.A.
Via Ponte Nuovo, 11
25050 Rodengo Saiano (BS)
Italy

Is authorized to provide the product mentioned below

Description of product: **High pressure floating ball valve series Hercules**

In accordance with: **EN 61508:2010 Parts 1, 2, 4, 5, 6, 7**



Registration No 21 21982 01
Test Report No FS-25855-24-M-01
File reference 25855-01

Validity from 2024-07-27 until 2027-07-26

TUV Nord Italia S.r.l. (TUVNORD Group)
Via Turati, 70 - 20023 Cerro Maggiore (MI) - Italy
www.tuvnord.it

Cerro Maggiore, 2024-07-05
product@tuvnord.it

TNI-QF/IND-SIL-01-14-Rev01_16_06_2023-Certificate_Type A

Please also pay attention to the information stated overleaf

▲ SIL

Certificazione di conformità alla norma IEC 61508, del livello di sicurezza funzionale del prodotto destinato ad essere integrato in sistemi con un livello di integrità funzionale fino a SIL 3.

Certification of compliance to the IEC 61508 requirements, of the functional safety level provided by the product intended to be integrated in systems with required safety integrity level up to SIL 3.



INERIS

Appareil non électrique destiné à être utilisé en atmosphères explosibles
Non electrical equipment intended for use in potentially explosive atmospheres
Apparecchi non elettrici destinati ad essere utilizzati in atmosfera potenzialmente esplosiva

Directive 2014/34/EU
Direttive 2014/34/UE / Direttiva 2014/34/UE

ACCUSÉ DE RECEPTION D'UN DOSSIER TECHNIQUE ACKNOWLEDGE RECEIPT OF TECHNICAL DOCUMENTATION AVVISO DI RICEVIMENTO DEL FASCICOLO TECNICO

Appareil / Equipment / Apparecchiatura: **BALL VALVES**

Type(s) / Type(s) / Tipi(i): Wafer type, Split body type, Split Wafer type steel ball valves / Two-piece, Three-piece steel ball valve High-pressure - threaded ends / Two-piece brass ball valves threaded ends

Marquage / Marking / Marcatura: **EX II 2 GD**

Dépositaire / Applicant / Richiedente: **OMAL S.p.A.**
Via Ponte Nuovo 11
I - 25050 Rodengo Saiano (BS)

L'INERIS, organisme notifié et INERIS, notified body and identified L'INERIS, organismo notificato e identificato
identifié sous le numéro 0082, order number 0082, in accordance with con il n°0082 conformemente agli articoli
conformément aux articles 17 et 21 de la articles 17 and 21 of Council Directive 17 = 21 della Direttiva 2014/34/UE del
Directive du Conseil 2014/34/UE of the 26 February 2014, Consiglio dell'Unione Europea del 26 febbraio
du 26 février 2014, accord réception acknowledges receipt of file according 2014, conferma il ricevimento del fascicolo
du dossier conformément à la to the procedure described chapter 3, in conformità alla procedura prevista nella
procédure décrite au chapitre 3, article 13 1) b) 4) of the Directive. rubrica 3, articolo 13 1) b) 4) della Direttiva,
article 13 1) b) 4) de la Directive.

La documentation technique référencie : The technical documentation referenced : La documentazione tecnica di riferimento :
VS-19 dated 10/10/2019 VS-19 dated 10/10/2019 VS-19 dated 10/10/2019
est consignée sous le numéro is consigned under the reference : è depositata con il numero di registrazione :
d'enregistrement : n° INERIS-EQEN 035241/19. n° INERIS-EQEN 035241/19. n° INERIS-EQEN 035241/19.

Dans le cadre de cet enregistrement, Within the scope of the recording, Nel quadro di questa registrazione,
INERIS n'a pas examiné le contenu INERIS did not examine the content of INERIS non ha esaminato il contenuto
de la documentation technique. of the technical documentation. della documentazione tecnica.

Date de fin de validité : 2029.11.07 Validity completion date : 2029.11.07 Data di fine di validità : 2029.11.07

Le Directeur Général de INERIS, The Chief Executive Officer of INERIS, Il Direttore generale dell' INERIS,
Par délégation, By delegation, Per delega,

Parc Technologique Alata BP 2 F-42050 Vernoux-en-Halatte
tel +33(0)3 44 55 66 77 fax +33(0)3 44 55 66 99 internet www.ineris.fr
Institut national de l'environnement industriel et des risques
Etablissement public à caractère industriel et commercial - RCS Compagnie 3 381 964 541 - Siret 381 964 501 00019 - APE 7120B - TVA Intracomm FR 73 381 964 901

▲ ATEX

Dichiarazione che il Sistema di Qualità applicato per la progettazione, fabbricazione, ispezione finale e la prova di valvole industriali è in accordo con i requisiti della Direttiva ATEX per apparecchiature destinate all'impiego in ambienti con atmosfera potenzialmente esplosiva.

Declaration that the Quality Management System operated by OMAL for the design, manufacture, final inspection and tests of industrial valves is in compliance with the Directive ATEX for equipment intended to be used in potentially explosive atmospheres.



HERCULES





1.4

KRATOS



TABELLA DI CODIFICA PER KRATOS

CODIFICATION TABLE FOR KRATOS

1° blocco: Tipologia della valvola *1st part: Valve's type*

V	KR	04	B	00
1°	2°-3°	4°-5°	6°	7°-8°

1° CIFRA: Tipo di azionamento 1° FIGURE: Drive Type	
D	Doppio effetto anodizzato <i>Double acting, anodized</i>
E	Elettrico ON-OFF <i>Electrical ON-OFF</i>
F	Doppio effetto verniciato <i>Double acting, painting</i>
G	Doppio effetto nichelato <i>Double acting, nickel plated</i>
I	Doppio effetto inox <i>Inox double acting</i>
J	Con Leva in 316 ss <i>With 316 ss lever</i>
K	Con Leva (INOX) <i>With lever (INOX)</i>
L	Con Leva (std) <i>With lever (std)</i>
M	Elettrico modulante <i>Electrical modulating</i>
R	Con riduttore <i>With gear box</i>
S	Semplice effetto anodizzato <i>Spring return, anodized</i>
T	Semplice effetto verniciato <i>Spring return, painting</i>
U	Semplice effetto nichelato <i>Spring return, nickel plated</i>
V	Valvola asse libero <i>Free shaft valve</i>
X	Semplice effetto inox <i>Inox spring return</i>

2°e 3° CIFRA: Famiglia di appartenenza 2° & 3° FIGURE: Valve's family	
KR	Kratos

4° e 5° CIFRA Misura della valvola 4° & 5° FIGURE: Valve's size	
02	DN 08
03	DN 10
04	DN 15
05	DN 20
06	DN 25
07	DN 32
08	DN 40
09	DN 50

7° e 8° CIFRA: Scheda tubo 7° & 8° FIGURE: Tube schedule	
00	Corpo e manicotto filettati <i>Body and ends Screwed</i>
01	SCH.10
02	SCH.40
03	SCH.80
04	SCH.160
05	SCH. XS
06	SCH. XXS

6° CIFRA: Attacco tubazione 6° FIGURE: Tube connection	
B	BW /BW (*)
C	GAS ISO 228-1 / BW (*)
D	NPT / BW (*)
G	GAS / GAS ISO 228-1
N	NPT / NPT
P	P.E.N / P.E.N. (*)
Q	GAS ISO 228-1 / P.E.N. (*)
R	NPT / P.E.N. (*)
S	SW / SW (*)
T	GAS ISO 228-1 / SW (*)
U	NPT / SW. (*)

(*) : spessore tubo da definire usando 7° e 8° cifra
(*) : tube thickness to be defined with 7° and 8° figure



2° blocco: Materiali ferrosi 2nd part: Metallic parts

CB	4	D	A
9°-10°	11°	12°	13°

9° e 10° CIFRA: Materiale corpo valvole 9° & 10° FIGURE: Body material	
CB	A350 LF2
AB	A182 F316 / A479 Tp.316 A182 F316L / A479 Tp.316L
AI	Duplex

13° CIFRA: Materiale dello stelo 13° FIGURE: Stem material	
A	17-4PH
C	Duplex
D	17-4PH NACE
E	A479 Tp.316 - 316L
F	17-4PH con dado + rondella inox <i>With nut + inox washer</i>
I	INCONEL 718

11° CIFRA: Materiale sfera 11° FIGURE: Ball material	
4	F6A / 410 / CA15
5	Forata monodirezionale F6A / 410 / CA15 <i>Drilled monodirectional F6A / 410 / CA15</i>
A	A351 CF8M
D	A995 CD3MN (DUPLIX FUSO)
E	A182 F316 / A479 Tp.316 A182 F316L / A479 Tp.316L
G	Sfera forata CF8M <i>Monodirectional ball CF8</i>
N	Forata monodirezionale <i>Drilled monodirectional</i> A182 F316 / A479 Tp.316 A182 F316L / A479 Tp.316L

12° CIFRA: Trattamenti della sfera 12° FIGURE: Ball surface treatments	
0	Nessun trattamento <i>No treatment</i>
A	Nichelatura <i>Nickelated</i> ENP 25 micron
B	Nichelatura <i>Nickelated</i> ENP 50 micron
C	Nichelatura <i>Nickelated</i> ENP 75 micron
D	Cromatura <i>Hard chrome plated</i> 20-40 micron



3° blocco: Materiali delle tenute *3rd part: Seat materials*

0	D	D	D
14°	15°	16°	17°

14° CIFRA: Materiale OR corpo-manicotto 14° FIGURE: Body-end OR material	
0	NBR 90 SH
F	FKM 90 SH

15° CIFRA: Materiale seggio 15° FIGURE: Seat material	
D	DEVLON
F	PEEK+25%C+10%PTFE
J	PTFE +15 % VETRO
K	PTFE +25 % C
N	TFM1600
P	POM
X	TFM1600 per XYLENE (sfera) + GRAFITE (corpo) TFM1600 for XYLENE (ball) + GRAFITE (body)

17° CIFRA: Materiale tenuta corpo-manicotto 17° FIGURE: Body-end gasket material	
0	TFM1600
D	DEVLON
G	GRAFOIL

16° CIFRA: Tenuta stelo 16° FIGURE: Stem gasket	
N	TFM1600
D	TFM - TFM - Devlon



4° blocco: Trattamenti 4th part: Surface treatments

0	0Z
18°	19°-20°

18° CIFRA: Trattamento principale 18° FIGURE: Standard surface treatment	
0	Nessuna verniciatura <i>Without paint</i>
X	Valvola sgrassata <i>Degreased valve</i>

19°-20° CIFRA: Tipologia del trattamento 19°-20° FIGURE: Surface treatment type	
00	Nessuna verniciatura <i>Without paint</i>
0Z	Zincato <i>Galvanized</i>



5° blocco: Versione azionamenti ATTUATORI PNEUMATICI 5th part: PNEUMATIC ACTUATORS drives version

A	F	B	A	0
21°	22°	23°	24°	25°

21° CIFRA: Kit di connessione con l'azionamento 21° FIGURES: Bracket connection drives	
A	Acciaio verniciatura STD <i>Steel with standard painting</i>
B	Acciaio verniciatura HT <i>Steel with high temperature painting</i>
C	Inox std
D	Inox HT
G	Prolunga inox doppia tenuta <i>Stainless steel shaft extension with double seal</i>
L	Valvola con leva lucchettabile <i>Valve with locking lever</i>
N	Valvola con leva "dead man" <i>Valve with "dead man" lever</i>
Q	Prolunga Inox con sniffer <i>Steel extension with sniffer</i>
X	Prolunga 100mm in CF8M <i>Steel extension 100mm in CF8M</i>

22° CIFRA: Famiglia di azionamento 22° FIGURE: Actuators group	
E	Serie con volantino VERSIONE NEW <i>Handwheel series NEW VERSION</i>
F	DIN ISO 5211 VERSIONE NEW <i>DIN ISO 5211 NEW VERSION</i>
G	DIN ISO 5211 con riduttore standard VERSIONE NEW <i>DIN ISO 5211 with standard gear box NEW VERSION</i>
H	Inox microfuso <i>Inox precision casting</i>
I	Inox microfuso con riduttore <i>Inox precision casting with gear box</i>
K	Inox microfuso pistone rovesciato <i>Inox precision casting - reversed piston</i>
V	Serie con volantino VERSIONE NEW - PISTONI ROVESCIATI <i>Handwheel series NEW VERSION - REVERSED PISTONS</i>
W	DIN ISO 5211 pistoni rovesciati VERSIONE NEW <i>DIN ISO 5211 reversed piston NEW VERSION</i>
X	DIN ISO 5211 pistoni rovesciati + riduttore VERSIONE NEW <i>DIN ISO 5211 reversed piston + gear box NEW VERSION</i>
Y	Esecuzione speciale <i>Special execution</i>

25° CIFRA: Altre esecuzioni speciali dell'azionamento 25° FIGURE: Actuator in special stroke executions	
0	Nessuna opzione <i>No options</i>
1	Prolunga <i>Extension L=100mm</i>
2	Prolunga <i>Extension L=200mm</i>
A	Regolazione 10° <i>10° adjustment</i>
B	Regolazione 30° <i>30° adjustment</i>
C	Regolazione 60° <i>60° adjustment</i>
D	Regolazione 90° <i>90° adjustment</i>
M	STD a magazzino <i>STD in warehouse</i>
J	Dosatore <i>Two stage connector</i>
K	Dosatore +100mm <i>Two stage connector +100mm</i>

24° CIFRA: Esecuzioni particolari dell'azionamento 24° FIGURE: Special executions drives	
A	Esecuzione di serie <i>Standard executions</i>
H	Alta temperatura <i>High temperature</i>
L	Bassa temperatura <i>Low temperature</i>
M	Molle <i>Springs 2,8 BAR (40 PSI)</i>
N	Molle <i>Springs 3,5 BAR (50 PSI)</i>
P	Molle <i>Springs 4,2 BAR (60 PSI)</i>
R	Molle <i>Springs 2,8 BAR (40 PSI) Alta temp. High temp</i>
S	Molle <i>Springs 3,5 BAR (50 PSI) Alta temp. High temp</i>
T	Molle <i>Springs 4,2 BAR (60 PSI) Alta temp. High temp</i>
V	Molle <i>Springs 2,8 BAR (40 PSI) Bassa temp Low temp</i>
W	Molle <i>Springs 3,5 BAR (50 PSI) Bassa temp Low temp</i>
X	Molle <i>Springs 4,2 BAR (60 PSI) Bassa temp Low temp</i>

23° CIFRA: Taglia di azionamento 23° FIGURES: Actuator size			
A	DA 8	L	DN 100 - DAN480-SRN240
B	DN 32 - DAN15	M	DN 115 - DAN720-SRN360
C	DN 40 - DAN30-SRN15	N	DN 125 - DAN960-SRN480
D	DN 45 - DAN45	Q	DN 145 - DAN1440-SRN720
E	DN 50 - DAN60-SRN30	R	DN 160 - DAN1920-SRN960
G	DN 60 - DAN106-SRN53	S	DN 240 - DAN2880-SRN1440
H	DN 63 - DAN120-SRN60	V	DN 208 - DA3840-SR1920
I	DN 72 - DAN180-SRN90	W	DN 240 - DA5760-SR2880
J	DN 80 - DAN240-SRN120	X	DN 290 - DA8000-SR4000
K	DN 90 - DAN360-SRN180		



5° blocco: Versione azionamenti ATTUATORI ELETTRICI

5th part: ELECTRIC ACTUATORS drives version

A	M	E	G	0
21°	22°	23°	24°	25°

21° CIFRA: Kit di connessione con l'azionamento 21° FIGURES: Bracket connection drives	
A	Acciaio verniciatura std <i>Steel with standard painting</i>
B	Acciaio verniciatura HT <i>Steel with high temperature painting</i>
C	Inox std
D	Inox HT
G	Prolunga inox doppia tenuta <i>Stainless steel shaft extension with double seal</i>
L	Valvola con leva lucchettabile <i>Valve with locking lever</i>
N	Valvola con leva "dead man" <i>Valve with "dead man" lever</i>
Q	Prolunga Inox con sniffer <i>Steel extension with sniffer</i>
X	Prolunga 100mm in CF8M <i>Steel extension 100mm in CF8M</i>

22° CIFRA: Tensione di alimentazione 22° FIGURE: Voltage supply	
1	Prolunga <i>Extension</i> L=100mm
2	Prolunga <i>Extension</i> L=200mm
B	24 Vdc
J	24 Vac/dc
L	115 Vac
M	230 Vac
Y	Esecuzione speciale <i>Special execution</i>

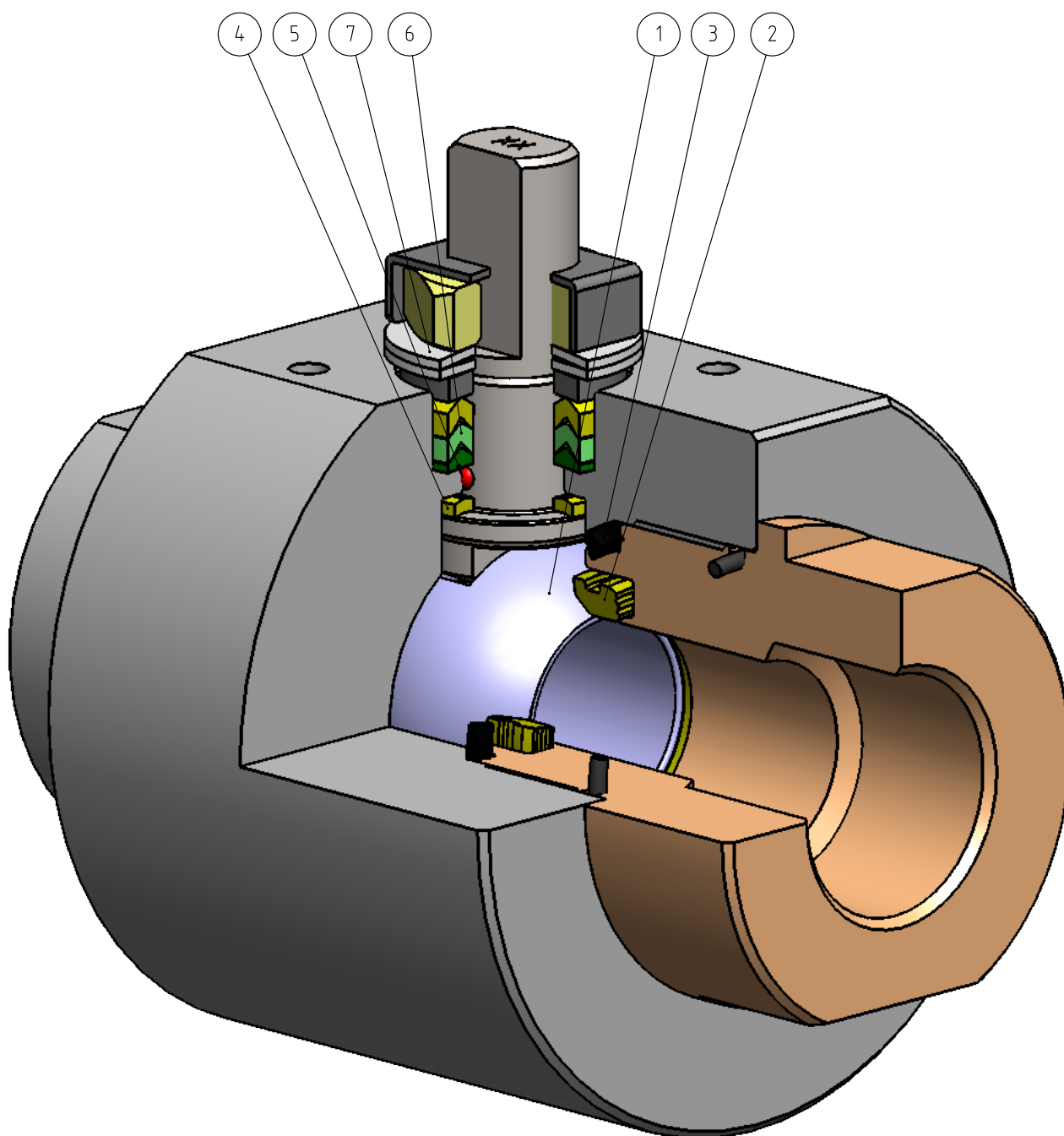
23° CIFRA: Coppia di azionamento in Nm 23° FIGURES: Torque drive	
B	10 Nm
C	20 Nm
D	40 Nm
E	35 Nm
F	50 Nm
G	70 Nm
H	100 Nm
I	130 Nm
K	240 Nm
L	200 Nm
N	400 Nm
P	500 Nm
R	600 Nm
T	1000 Nm
V	1500 Nm
X	2000 Nm

25° CIFRA: Altre esecuzioni speciali dell'azionamento 25° FIGURE: Actuator in special stroke executions	
0	Nessuna opzione <i>No option</i>
1	Prolunga <i>Extension</i> L=100mm
2	Prolunga <i>Extension</i> L=200mm
B	Connettori a vite (V0) <i>Electrical connection by screw (V0)</i>
C	Precablanti <i>Prewired</i> 2mt (C2)
D	Precablanti <i>Prewired</i> 4mt (C4)
E	Precablanti <i>Prewired</i> 8mt (C8)
F	Connettori a pipa (P0) <i>Pipe connections (P0)</i>

24° CIFRA: Esecuzioni particolari dell'azionamento 24° FIGURES: Special executions drives	
A	STD linea AE <i>AE line</i>
B	STD linea AE con riduttore <i>AE line with gear box</i>
C	STD linea AE+Kit alta temp. <i>AE line+bracket for high temp.</i>
G	STD linea EA <i>EA line (STD IP67)</i>
H	STD linea EA (STD IP67) + riduttore <i>EA line (STD IP67) + gear box</i>
I	STD linea EA (STD IP67) + kit alta temperatura <i>EA line (STD IP67) + bracket for high temperature</i>
L	Linea EA IP68 + riduttore <i>EA line IP68 + gear box</i>
M	Linea EA IP68 + kit alta temperatura <i>EA line IP68 + bracket for high temperature</i>
P	Linea EA IP68 <i>EA line IP68</i>



KRATOS ALTA CICLICITÀ *HIGH CYCLE*





FEATURES & BENEFITS

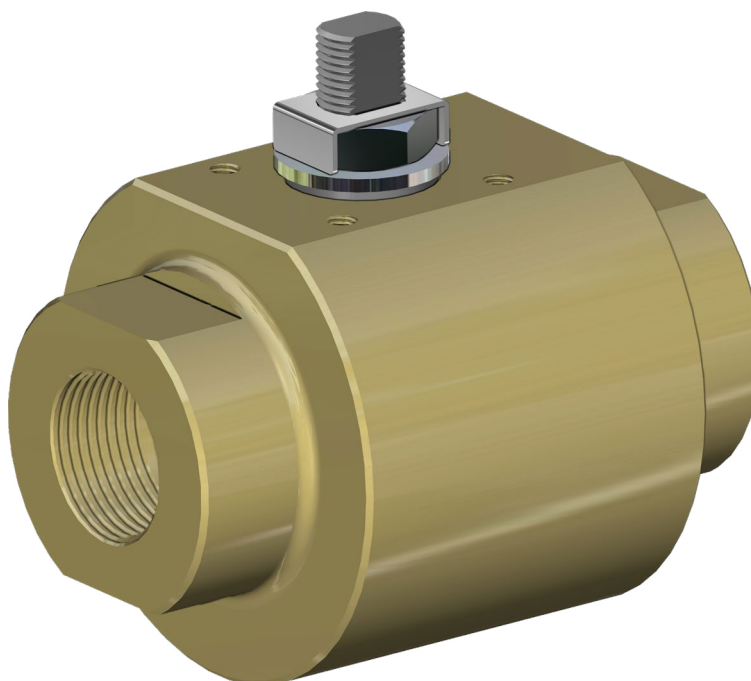
1	Sfera in acciaio inossidabile con rivestimento in Cromo Duro da 40 µm. <i>Stainless steel ball, coated with 40 µm Hard Chrome.</i>	Maggior tenuta nel tempo grazie alla bassa usura della sfera. <i>Longer seal life due to the low wear of the ball.</i>
2	Seggio. <i>Seat.</i>	Minor usura rispetto a tenute non modificate. <i>Less wear comparing with not modify seat.</i>
		Elevata resistenza alla sollecitazione. <i>High resistance to stress.</i>
3	Guarnizione Corpo-Manicotto in DEVLON. <i>DEVLON Body-End gasket.</i>	Tenuta supplementare a protezione dell'oring. <i>Supplementary gasket for oring protection.</i>
4	Anello antifrizione in DEVLON. <i>DEVLON Bottom sealing.</i>	Minor usura rispetto a tenute non modificate. <i>Less wear comparing with not modify seat.</i>
		Elevata resistenza alla sollecitazione. <i>High resistance to stress.</i>
5	Antistatic Device (continuità elettrica tra sfera, stelo e corpo). <i>Antistatic Device (electrical continuity between ball, stem and body).</i>	Si evitano cariche elettrostatiche che potrebbero essere causa d'innesco in ambienti infiammabili e/o esplosivi. <i>Static electricity is avoided which can cause sparks and fire in an inflammable/explosive environment.</i>
		Sicurezza garantita dal contatto durante tutta la vita della valvola. <i>Contact safety throughout the entire life of the valve.</i>
6	Pacco guarnizioni a "V" con 3 guarnizioni. <i>"V" seals pack with 3 seals.</i>	Si garantisce una perfetta tenuta anche dopo un numero elevato di cicli. <i>It ensures a perfect tightness even after a high number of cycles.</i>
7	Molle a tazza sulla tenuta dello stelo. <i>Spring washer on the shaft seal.</i>	Garantiscono il recupero dei giochi dovuti all'usura causata dal movimento semirotatorio dell'albero evitando perdite verso l'esterno. <i>Guarantee of the recovery of the gap due to the wear caused by the rotational movement of the shaft avoiding leakage towards the outside part.</i>
		Consentono di mantenere energizzate le guarnizioni tipo "chevron" (a V), evitando perdite verso l'esterno, a fronte di notevoli escursioni termiche. <i>Allow to maintain energized the "chevron" seals (V), thus avoiding any leakage to the outside, against huge temperature excursions.</i>
	Maggiore precisione nell'allineamento degli assi grazie alla lavorazione dal grezzo al finito con un unico posizionamento. <i>Greater precision in the alignment of axes due to a unique positioning in the process machining from raw material to finished valve.</i>	Maggior vita della valvola stessa. <i>Longer lifetime of the valve.</i>
		Minor coppia di azionamento. <i>Less breakaway torque.</i>
	Corpo valvola in acciaio al carbonio realizzato con materiale normalizzato certificato NACE in esecuzione standard. <i>Valve body in carbon steel made with NACE certified material as standard.</i>	Garantisce una maggior resistenza alla corrosione. <i>Greater corrosion resistance.</i>
		Maggior duttilità del materiale. <i>Greater ductility of the material.</i>
	Processo produttivo interamente eseguito in OMAL. <i>100% in-house manufacturing process technology.</i>	Massimo controllo in tutte le fasi di lavorazione. <i>Maximum control and accuracy in all the stages of the manufacturing process.</i>
		Possibilità di fornire rapidamente esecuzioni speciali richieste dal cliente. <i>Flexibility in supply quickly special executions requested by customers.</i>
	Certificato PED. <i>PED Certificate.</i>	Piena conformità alle norme di sicurezza europee per i dispositivi in pressione. <i>Full compliance with European Safety Standards for Pressure Equipment.</i>
	Certificato Fugitive Emission ISO 15848 (ISO FE AH-C03-SSA 0). <i>Fugitive Emission ISO 15848 (ISO FE AH-C03-SSA 0) certificate.</i>	Garantisce un elevato grado di sicurezza della tenuta stelo verso l'esterno. <i>High level of safety of the tightness towards the outside is granted.</i>
	Certificato ATEX. <i>ATEX Certificate.</i>	Ne consente l'installazione in presenza di ambiente potenzialmente esplosivo. <i>Installation is possible in a potential explosive environment.</i>
	Certificato fino a SIL 3. <i>Up to SIL 3 certified.</i>	Elevato livello di sicurezza funzionale garantito. <i>Guarantee of the high level of functional safety.</i>
	Certificato FIRE SAFE (a richiesta). <i>FIRE SAFE Certificate (on request).</i>	Garantisce la tenuta della valvola anche in caso di incendio. <i>Guarantees the tightness of the valve also in case of fire.</i>



KRATOS

ALTA CICLICITÀ ACCIAIO AL CARBONIO

HIGH CYCLE CARBON STEEL



ESECUZIONE STANDARD:

- Estremità filettate EN ISO 228-1o NPT.
- Sfera flottante, passaggio totale.
- Tenuta soft-seat DEVLON.
- Tenuta stelo con pacco a V di serie.
- Temperature di utilizzo: da -46°C a +100°C.
- Classe di tenuta: EN12266-1 rate A.
- Antistatic device EN12266-2.
- Stelo anti Blow-out.
- Foratura piano per attuatore a norma ISO 5211.
- Trattamento superficiale di Zincatura.
- Fluido intercettato: fluidi autolubrificanti (liquidi e gassosi), purché compatibili con i materiali costruttivi. Per fluidi non-autolubrificanti (acqua, ...) o altre applicazioni rivolgersi all'ufficio commerciale.

STANDARD FEATURES:

- Threaded ends EN ISO 228-1or NPT.
- Floating ball, full bore.
- Soft-seat seal DEVLON.
- Stem seal with V-pack.
- Operating temperature: from -46°C to +100°C.
- Tightness Class: EN12266-1 rate A.
- Antistatic device EN12266-2.
- Anti Blow-out stem.
- Actuator connection as per standard ISO 5211.
- Superficial treatment: Galvanized.
- Intercepted fluid: self-lubricating fluids (liquid and gaseous), provided they are compatible with the construction materials. For non-self-lubricating fluids (water, ...) or other applications, contact our sales department.

ESECUZIONI A RICHIESTA:

- Guarnizioni di tenuta in: PTFE caricato vetro (PTFE-GF), PTFE caricato carbografite (PTFE-CF), PTFE Modificato, PEEK. Per altri tipi di materiale contattare il nostro ufficio commerciale.
- Esecuzione monodirezionale con foro di compensazione della pressione nella sfera.
- Leva inox; dadi e molle stelo inox. Per esecuzioni con materiali (corpo/sfera/stelo) diversi dallo standard contattare il nostro ufficio commerciale.
- Per altri trattamenti superficiali contattare il nostro ufficio commerciale.
- Marcatura e certificato ATEX A RICHIESTA.

FEATURES ON REQUEST:

- Sealing: PTFE glass filled (PTFE-GF), PTFE carbon-graphite filled (PTFE-CF), Modified PTFE, PEEK. For other types of materials please contact our sales department.
- Mono-directional version with pressure-relief hole in the ball.
- Stainless steel lever. For versions in materials different from the standard (body, ball, stem), please contact our sales department.
- For other coating please contact our sales department.
- ATEX marking and certificate ON REQUEST.

CERTIFICAZIONI:

- Conforme alla Direttiva Europea 2014/68/EU PED.
- Fugitive Emission ISO 15848 (ISO FE AH-C03-SSA 0) -50°C/+100°C.
- **Livello di sicurezza funzionale fino a SIL 3 in accordo a IEC 61508.**
- Conforme alla Direttiva Europea 2014/34/EU ATEX (certificato ATEX A RICHIESTA).
- Certificazione FIRE SAFE secondo ISO 10497 Third ed. 2010 / API 607 Seventh ed. 2016 (A richiesta).

CERTIFICATIONS:

- In compliance with European Directive 2014/68/EU PED.
- Fugitive Emission ISO 15848 (ISO FE BH-C03-SSA 0) -50°C/+100°C.
- **Safety integrity level up to SIL 3 according to IEC 61508.**
- In compliance with ATEX 2014/34/EU European Directive (ATEX certificate ON REQUEST).
- FIRE SAFE certification according to ISO 10497 Third ed. 2010 / API 607 Seventh ed. 2016 (On request).

NORME DI PROGETTAZIONE:

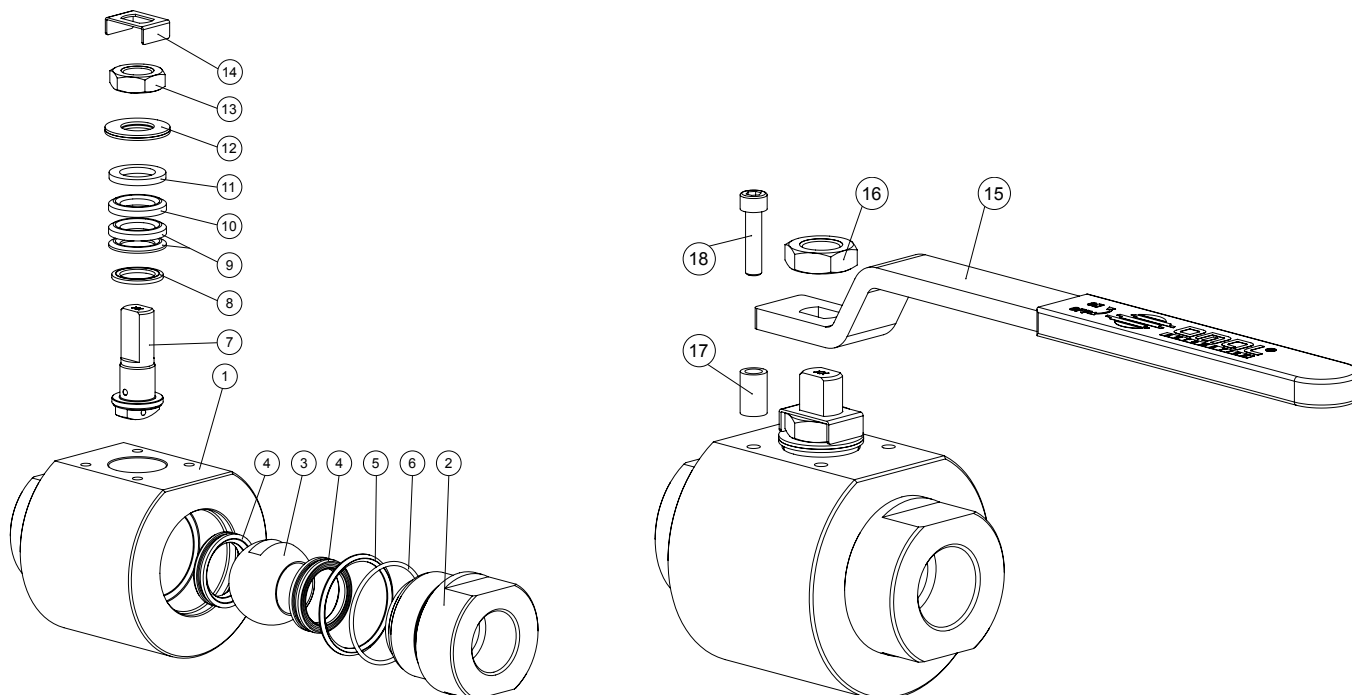
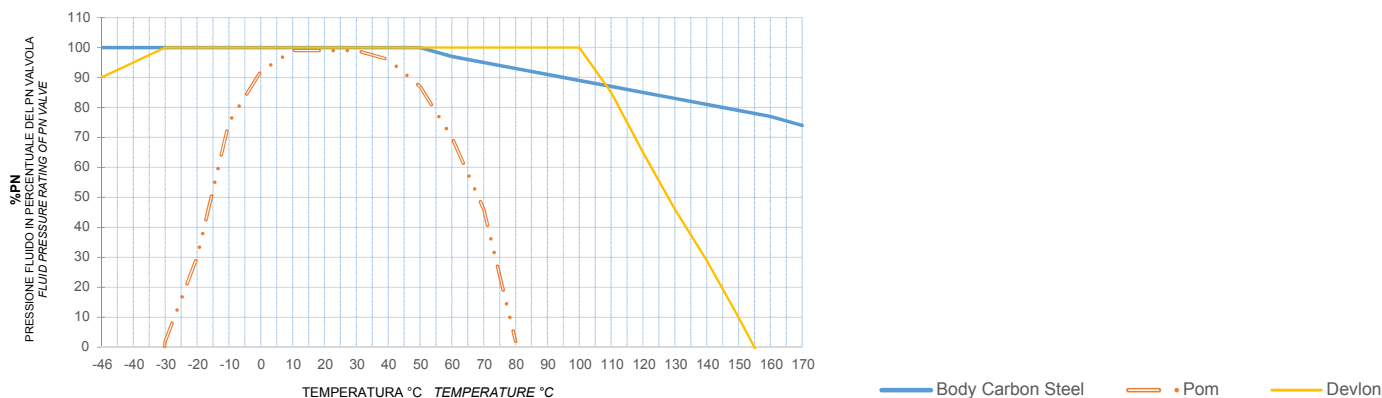
- Spessori corpo in accordo a: ASME B16.34, ASME VIII div.1, EN 12516.

ENGINEERING STANDARDS:

- Body thickness in compliance with: ASME B16.34, ASME VIII div.1, EN 12516.



DIAGRAMMA PRESSIONE/TEMPERATURA PRESSURE/TEMPERATURE DIAGRAM



MATERIALI		MATERIALS	
1	Corpo Body	ASTM A350 LF2 Zincato - Galvanized	
2	Manicotto End	ASTM A350 LF2 Zincato - Galvanized	
3	Sfera Ball	A217 CA15 / A479 TP410 / A182 F6A + Hard chromium plated	
4*	Seggio Seats	DEVLON	
5*	Guarnizione Corpo-Manicotto Body-Ends gasket	DEVLON	
6*	O'ring Corpo-Manicotto Body-Ends o'ring	HNBR	
7	Stelo Stem	A564 TP.630 (17-4 PH)	
8*	Anello antifrizione Bottom sealing	DEVLON	
9*	Pacco a V Chevron rings	TFM1600	
10*	Pacco a V Chevron ring	DEVLON	
11	Anello premiguarnizione Packing gland ring	Acciaio al carbonio Zincato - Carbon steel Galvanized	
12	Molle a tazza Springs washer	Acciaio al carbonio Zincato - Carbon steel Galvanized	
13	Dado stelo Stem nut	Acciaio al carbonio Zincato - Carbon steel Galvanized	
14	Fermo dado Stop nut plate	304 S.S.	
15	Leva Lever	Fe37 Zincato - Galvanized	
16	Controdado Lock nut	Acciaio al carbonio Zincato - Carbon steel Galvanized	
17	Fermo di posizione Holder screw	Acciaio al carbonio Zincato - Carbon steel Galvanized	
18	Vite di fermo Holder screw	A2-70 (304 S.S.)	

*Componenti del kit di guarnizioni. *Components of seals kit.

COPPIE DI SPUNTO in Nm		BREAKAWAY TORQUES Nm							
PN	Size	DN 08 1/4"	DN 10 3/8"	DN 15 1/2"	DN 20 3/4"	DN 25 1"	DN 32 1 1/4"	DN 40 1 1/2"	DN 50 2"
6000 PSI / 413 bar		22	22	25	33	48			
5000 PSI / 344 bar							66	91	
4000 PSI / 276 bar									140

I valori della coppia in Nm possono variare in funzione della temperatura e del fluido. Considerare un fattore di sicurezza pari a 1.4.
Torque can vary depending on temperature and type of fluid, a safety factor 1.4 must be applied.

PORTATA KV m ³ /h		FLOW RATE KV m ³ /h							
KV m ³ /h		10	11	20	60	100	130	170	280

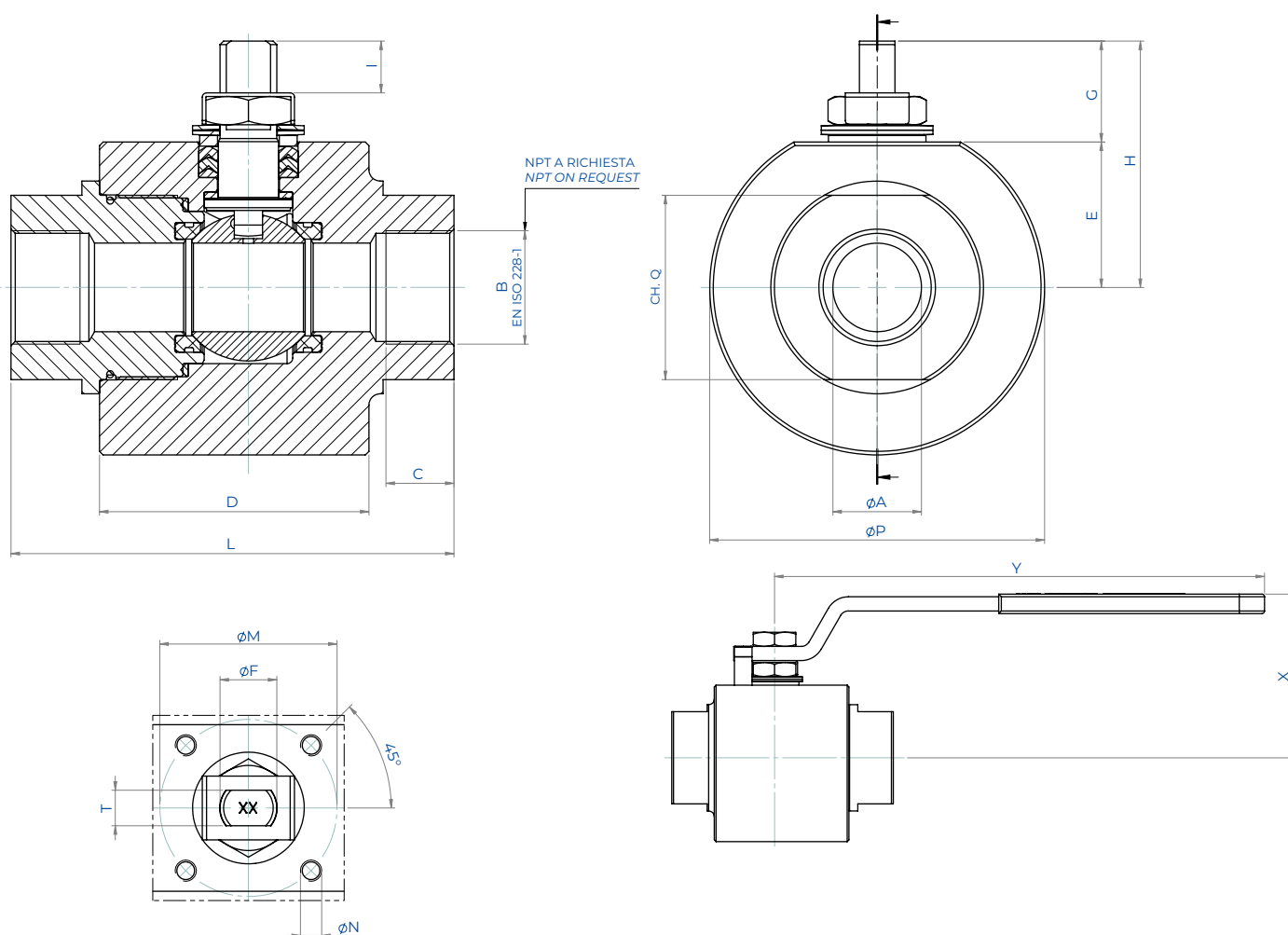
Il valore Kv è il valore di portata in m³/h (con acqua a 15°C) che provoca la caduta di pressione di 1 bar.
Kv is the coefficient, expressed in m³/h (with water at 15°C) causing a pressure loss of 1 bar.

KRATOS



KRATOS - ALTA CICLICITÀ HIGH CYCLE ACCIAIO AL CARBONIO CARBON STEEL ASSE LIBERO E CON LEVA FREE SHAFT AND WITH LEVER

MISURA SIZE		ASSE LIBERO FREE SHAFT		CON LEVA WITH LEVER		Kit leva Lever kit	Kit guarnizioni Seals kit
DN [mm]	[inch]	Asse libero - ISO228 Free shaft - ISO228	Asse libero - NPT Free shaft - NPT	Con leva - ISO228 With lever - ISO228	Con leva - NPT With lever - NPT		
DN 08	1/4"	VKR02G00CB4DA0DDD00Z	VKR02N00CB4DA0DDD00Z	LKR02G00CB4DA0DDD00Z	LKR02N00CB4DA0DDD00Z	KLV58004	KGBVKR03N
DN 10	3/8"	VKR03G00CB4DA0DDD00Z	VKR03N00CB4DA0DDD00Z	LKR03G00CB4DA0DDD00Z	LKR03N00CB4DA0DDD00Z	KLV58004	KGBVKR03N
DN 15	1/2"	VKR04G00CB4DA0DDD00Z	VKR04N00CB4DA0DDD00Z	LKR04G00CB4DA0DDD00Z	LKR04N00CB4DA0DDD00Z	KLV58006	KGBVKR04N
DN 20	3/4"	VKR05G00CB4DA0DDD00Z	VKR05N00CB4DA0DDD00Z	LKR05G00CB4DA0DDD00Z	LKR05N00CB4DA0DDD00Z	KLV58006	KGBVKR05N
DN 25	1"	VKR06G00CB4DA0DDD00Z	VKR06N00CB4DA0DDD00Z	LKR06G00CB4DA0DDD00Z	LKR06N00CB4DA0DDD00Z	KLV58008	KGBVKR06N
DN 32	1" 1/4	VKR07G00CB4DA0DDD00Z	VKR07N00CB4DA0DDD00Z	LKR07G00CB4DA0DDD00Z	LKR07N00CB4DA0DDD00Z	KLV58008	KGBVKR07N
DN 40	1" 1/2	VKR08G00CB4DA0DDD00Z	VKR08N00CB4DA0DDD00Z	LKR08G00CB4DA0DDD00Z	LKR08N00CB4DA0DDD00Z	KLV58010	KGBVKR08N
DN 50	2"	VKR09G00CB4DA0DDD00Z	VKR09N00CB4DA0DDD00Z	LKR09G00CB4DA0DDD00Z	LKR09N00CB4DA0DDD00Z	KLV58010	KGBVKR09N

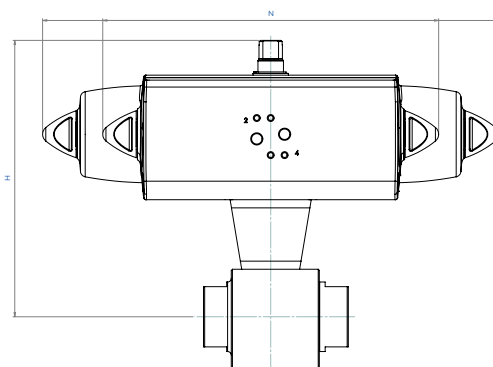
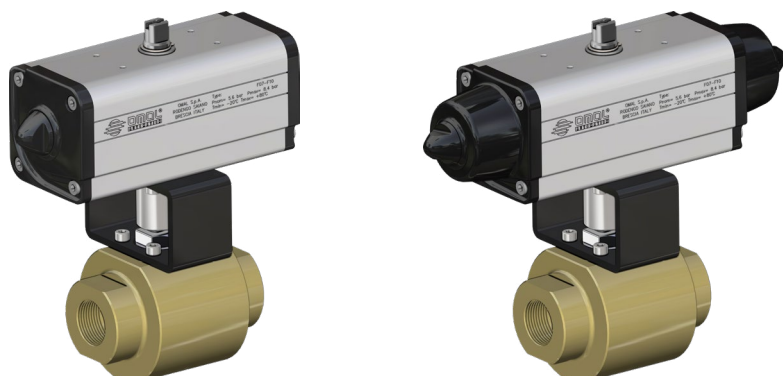


MISURA SIZE		DIMENSIONI DIMENSIONS																	
DN [mm]	[inch]	ØA	B	C	ØP	D	E	G	H	I	L	ISO	ØM	ØN	T/F	CH. Q	Y	X	Kg*
DN 08	1/4"	9	1/4"	11,5	60	55	25,5	20	45,5	8,2	85	F03	36	M5	6/M10	32	141,5	67	1,5
DN 10	3/8"	9	3/8"	11,5	60	55	25,5	20	45,5	8,2	85	F03	36	M5	6/M10	32	141,5	67	1,5
DN 15	1/2"	13	1/2"	15	75	60	32,5	22,5	55	9,8	90	F04	42	M5	8/M12	38	151,5	80	2,5
DN 20	3/4"	19	3/4"	16,5	79	60	35	22,5	57,5	9,8	90	F04	42	M5	8/M12	45	151,5	82	2,7
DN 25	1"	25	1"	19,5	94,5	76	41	28,5	69,5	14,6	125	F05	50	M6	10/M16	52	276,5	92	4,5
DN 32	1" 1/4	32	1" 1/4	22	104	76	46,5	28,5	75	14,6	125	F05	50	M6	10/M16	65	276,5	98	5,5
DN 40	1" 1/2	38	1" 1/2	22	129	90	56,5	41	97,5	21,9	150	F07	70	M8	14/M22	75	351,5	117	9,8
DN 50	2"	51	2"	26	149,5	104	68	39,5	107,5	20,9	170	F07	70	M8	14/M22	95	351,5	128	14,3

*Asse libero. Free shaft.



KRATOS - ALTA CICLICITÀ HIGH CYCLE ACCIAIO AL CARBONIO CARBON STEEL CON ATTUATORE WITH ACTUATOR



CON ATTUATORE PNEUMATICO DOPPIO EFFETTO WITH DOUBLE ACTING PNEUMATIC ACTUATOR

MISURA SIZE		CODICE ARTICOLO - versione EN ISO 228 ITEM CODE - EN ISO 228 version	CODICE ARTICOLO - versione NPT ITEM CODE - NPT version	ATTUATORE ACTUATOR	KIT montaggio Mounting KIT	N [mm]	H [mm]	Kg
DN [mm]	[inch]							
DN 08	1/4"	DKR02G00CB4DA0DDD00ZAFDA0	DKR02N00CB4DA0DDD00ZAFDA0	DAN0045412S	KCNAHD5782	188,5	160	3,0
DN 10	3/8"	DKR03G00CB4DA0DDD00ZAFDA0	DKR03N00CB4DA0DDD00ZAFDA0	DAN0045412S	KCNAHD5782	188,5	160,0	3,0
DN 15	1/2"	DKR04G00CB4DA0DDD00ZAFDA0	DKR04N00CB4DA0DDD00ZAFDA0	DAN0045412S	KCNBCHD5783	188,5	177,0	4,1
DN 20	3/4"	DKR05G00CB4DA0DDD00ZAFDA0	DKR05N00CB4DA0DDD00ZAFDA0	DAN0060412S	KCNBCHD5784	198,0	185,4	4,8
DN 25	1"	DKR06G00CB4DA0DDD00ZAFGA0	DKR06N00CB4DA0DDD00ZAFGA0	DAN0106411S	KCNCHD5785	237,0	204,3	8,0
DN 32	1" 1/4	DKR07G00CB4DA0DDD00ZAFHA0	DKR07N00CB4DA0DDD00ZAFHA0	DAN0120411S	KCNCHD5785	257,5	213,5	9,1
DN 40	1" 1/2	DKR08G00CB4DA0DDD00ZAFIA0	DKR08N00CB4DA0DDD00ZAFIA0	DAN0180411S	KCNDDHD5786	290,0	254,0	16,0
DN 50	2"	DKR09G00CB4DA0DDD00ZAFJA0	DKR09N00CB4DA0DDD00ZAFJA0	DAN0240411S	KCNDDHD5787	313,6	269,1	22,4

CON ATTUATORE PNEUMATICO SEMPLICE EFFETTO WITH SPRING RETURN PNEUMATIC ACTUATOR

MISURA SIZE		CODICE ARTICOLO - versione EN ISO 228 ITEM CODE - EN ISO 228 version	CODICE ARTICOLO - versione NPT ITEM CODE - NPT version	ATTUATORE ACTUATOR	KIT montaggio Mounting KIT	N [mm]	H [mm]	Kg
DN [mm]	[inch]							
DN 08	1/4"	SKR02G00CB4DA0DDD00ZAFGA0	SKR02N00CB4DA0DDD00ZAFGA0	SRN0053401S	KCNACHD5788	304,3	188,8	5,0
DN 10	3/8"	SKR03G00CB4DA0DDD00ZAFGA0	SKR03N00CB4DA0DDD00ZAFGA0	SRN0053401S	KCNACHD5788	304,3	188,8	5,0
DN 15	1/2"	SKR04G00CB4DA0DDD00ZAFGA0	SKR04N00CB4DA0DDD00ZAFGA0	SRN0053401S	KCNBCHD5789	304,3	195,8	6,0
DN 20	3/4"	SKR05G00CB4DA0DDD00ZAFHA0	SKR05N00CB4DA0DDD00ZAFHA0	SRN0060401S	KCNBCHD5789	338,5	202,0	6,7
DN 25	1"	SKR06G00CB4DA0DDD00ZAFIA0	SKR06N00CB4DA0DDD00ZAFIA0	SRN0090401S	KCNCDHD5790	393,7	238,5	11,7
DN 32	1" 1/4	SKR07G00CB4DA0DDD00ZAFJA0	SKR07N00CB4DA0DDD00ZAFJA0	SRN0120401S	KCNCDHD5790	409,6	247,6	13,6
DN 40	1" 1/2	SKR08G00CB4DA0DDD00ZAFKA0	SKR08N00CB4DA0DDD00ZAFKA0	SRN0180401S	KCNDDHD5786	474,0	264,5	20,3
DN 50	2"	SKR09G00CB4DA0DDD00ZAFLA0	SKR09N00CB4DA0DDD00ZAFLA0	SRN0240401S	KCNDEHD5791	520,5	313,0	29,6

Dimensionamento degli attuatori pneumatici fatto considerando una pressione minima di alimentazione pari a 5,6 barg.
Sizing of pneumatic actuators by minimum pressure rate 5,6 barg.

Versione con Attuatore Elettrico A RICHIESTA (NOTA: gli attuatori elettrici OMAL non sono disponibili in versione ATEX).
Version with Electric Actuator ON REQUEST (PLEASE NOTE: OMAL electric actuators are not available in ATEX execution).



KRATOS

ALTA CICLICITÀ ACCIAIO INOX HIGH CYCLE STAINLESS STEEL



ESECUZIONE STANDARD:

- Estremità filettate EN ISO 228-1 o NPT.
- Sfera flottante, passaggio totale.
- Tenuta soft-seat DEVLON.
- Tenuta stelo con pacco a V di serie.
- Temperature di utilizzo: da -50°C a +100°C.
- Classe di tenuta: EN12266-1 rate A.
- Antistatic device EN12266-2.
- Stelo anti Blow-out.
- Foratura piano per attuatore a norma ISO 5211.
- Fluido intercettato: fluidi autolubrificanti (liquidi e gassosi), purché compatibili con i materiali costruttivi. Per fluidi non-autolubrificanti (acqua, ...) o altre applicazioni rivolgersi all'ufficio commerciale.

STANDARD FEATURES:

- Threaded ends EN ISO 228-1 or NPT.
- Floating ball, full bore.
- Soft-seat seal DEVLON.
- Stem seal with V-pack.
- Operating temperature: from -50°C to +100°C.
- Tightness Class: EN12266-1 rate A.
- Antistatic device EN12266-2.
- Anti Blow-out stem.
- Actuator connection as per standard ISO 5211.
- Intercepted fluid: self-lubricating fluids (liquid and gaseous), provided they are compatible with the construction materials. For non-self-lubricating fluids (water, ...) or other applications, contact our sales department.

ESECUZIONI A RICHIESTA:

- Guarnizioni di tenuta in: PTFE caricato vetro (PTFE-GF), PTFE caricato carbografite (PTFE-CF), PTFE Modificato, PEEK. Per altri tipi di materiale contattare il nostro ufficio commerciale.
- Esecuzione monodirezionale con foro di compensazione della pressione nella sfera.
- Leva inox; dadi e molle stelo inox. Per esecuzioni con materiali (corpo/sfera/stelo) diversi dallo standard contattare il nostro ufficio commerciale.
- Per altri trattamenti superficiali contattare il nostro ufficio commerciale.
- Marcatura e certificato ATEX A RICHIESTA.

FEATURES ON REQUEST:

- Sealing: PTFE glass filled (PTFE-GF), PTFE carbon-graphite filled (PTFE-CF), Modified PTFE, PEEK. For other types of materials please contact our sales department.
- Mono-directional version with pressure-relief hole in the ball.
- Stainless steel lever. For versions in materials different from the standard (body, ball, stem), please contact our sales department.
- For other coating please contact our sales department.
- ATEX marking and certificate ON REQUEST.

CERTIFICAZIONI:

- Conforme alla Direttiva Europea 2014/68/EU PED.
- Fugitive Emission ISO 15848 (ISO FE AH-C03-SSA 0) -50°C/+100°C.
- **Livello di sicurezza funzionale fino a SIL 3 in accordo a IEC 61508.**
- Conforme alla Direttiva Europea 2014/34/EU ATEX (certificato ATEX A RICHIESTA).
- Certificazione FIRE SAFE secondo ISO 10497 Third ed. 2010 / API 607 Seventh ed. 2016 (A richiesta).

CERTIFICATIONS:

- In compliance with European Directive 2014/68/EU PED.
- Fugitive Emission ISO 15848 (ISO FE BH-C03-SSA 0) -50°C/+100°C.
- **Safety integrity level up to SIL 3 according to IEC 61508.**
- In compliance with ATEX 2014/34/EU European Directive (ATEX certificate ON REQUEST).
- FIRE SAFE certification according to ISO 10497 Third ed. 2010 / API 607 Seventh ed. 2016 (On request).

NORME DI PROGETTAZIONE:

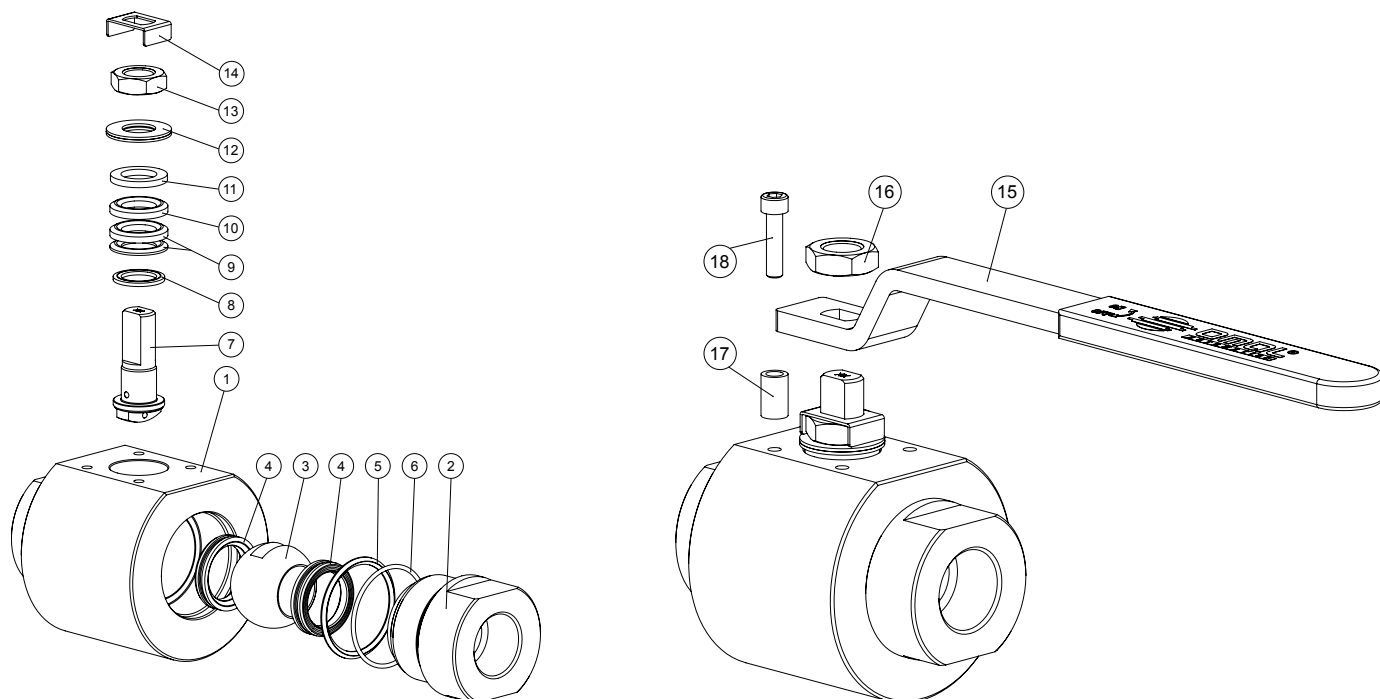
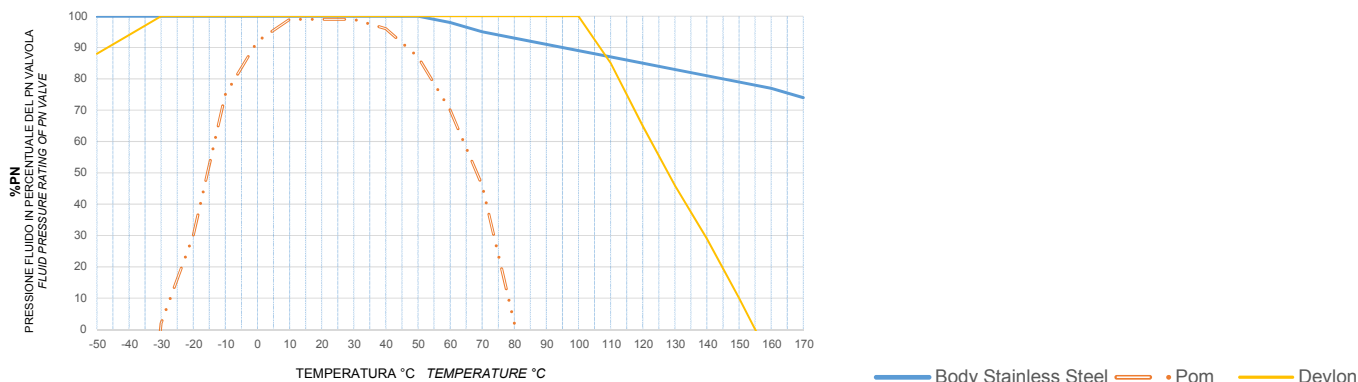
- Spessori corpo in accordo a: ASME B16.34, ASME VIII div.1, EN 12516.

ENGINEERING STANDARDS:

- Body thickness in compliance with: ASME B16.34, ASME VIII div.1, EN 12516.



DIAGRAMMA PRESSIONE/TEMPERATURA PRESSURE/TEMPERATURE DIAGRAM



MATERIALI		MATERIALS
1	Corpo Body	ASTM A182 F316 / A479 TP316 (1.4401 / X5CrNiMo 17-12-2)
2	Manicotto End	ASTM A182 F316 / A479 TP.316 (1.4401 / X5CrNiMo 17-12-2)
3	Sfera Ball	A217 CA15 / A479 TP.410 / A182 F6A + Hard chromium plated
4*	Seggio Seats	DEVLON
5*	Guarnizione Corpo-Manicotto Body-Ends gasket	DEVLON
6*	O'ring Corpo-Manicotto Body-Ends o'ring	HNBR
7	Stelo Stem	A564 TP.630 (17-4 PH)
8*	Anello antifrizione Bottom sealing	DEVLON
9*	Pacco a V Chevron rings	TFM1600
10*	Pacco a V Chevron ring	DEVLON
11	Anello premiguarnizione Packing gland ring	304 S.S.
12	Molle a tazza Springs washer	Acciaio al carbonio Zincato - Carbon steel Galvanized
13	Dado stelo Stem nut	Acciaio al carbonio Zincato - Carbon steel Galvanized
14	Fermo dado Stop nut plate	304 S.S.
15	Leva Lever	Fe37 Zincato - Galvanized
16	Controdado Lock nut	Acciaio al carbonio Zincato - Carbon steel Galvanized
17	Fermo di posizione Holder screw	Acciaio al carbonio Zincato - Carbon steel Galvanized
18	Vite di fermo Holder screw	A2-70 (304 S.S.)

*Componenti del kit di guarnizioni. *Components of seals kit.

COPPIE DI SPUNTO in Nm		BREAKAWAY TORQUES Nm							
PN	Size	DN 08 1/4"	DN 10 3/8"	DN 15 1/2"	DN 20 3/4"	DN 25 1"	DN 32 1 1/4"	DN 40 1 1/2"	DN 50 2"
6000 PSI / 413 bar		22	22	25	33	48			
5000 PSI / 344 bar							66	91	
4000 PSI / 276 bar									140

I valori della coppia in Nm possono variare in funzione della temperatura e del fluido. Considerare un fattore di sicurezza pari a 1.4.
Torque can vary depending on temperature and type of fluid, a safety factor 1.4 must be applied.

PORTATA KV m ³ /h		FLOW RATE KV m ³ /h							
KV m ³ /h		10	11	20	60	100	130	170	280

Il valore Kv è il valore di portata in m³/h (con acqua a 15°C) che provoca la caduta di pressione di 1 bar.
Kv is the coefficient, expressed in m³/h (with water at 15°C) causing a pressure loss of 1 bar.

KRATOS

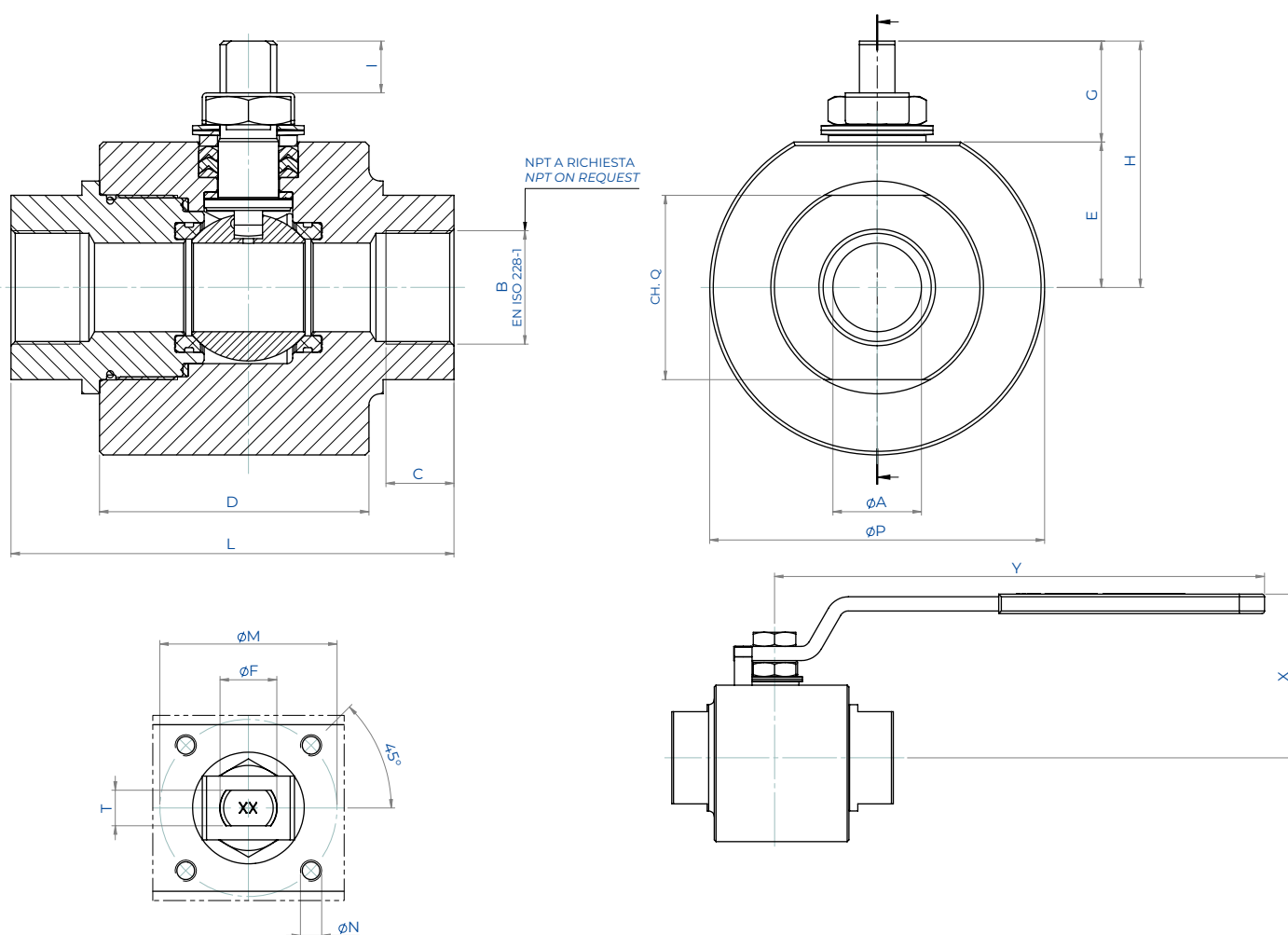


KRATOS - ALTA CICLICITÀ HIGH CYCLE

ACCIAIO INOX STAINLESS STEEL

ASSE LIBERO E CON LEVA FREE SHAFT AND WITH LEVER

MISURA SIZE		ASSE LIBERO FREE SHAFT		CON LEVA WITH LEVER			Kit guarnizioni Seals kit
DN [mm]	[inch]	Asse libero - ISO228 Free shaft - ISO228	Asse libero - NPT Free shaft - NPT	Con leva - ISO228 With lever - ISO228	Con leva - NPT With lever - NPT	Kit leva Lever kit	
DN 08	1/4"	VKR02G00AB4DA0DDD000	VKR02N00AB4DA0DDD000	LKR02G00AB4DA0DDD000	LKR02N00AB4DA0DDD000	KLV58004	KGBVKR03N
DN 10	3/8"	VKR03G00AB4DA0DDD000	VKR03N00AB4DA0DDD000	LKR03G00AB4DA0DDD000	LKR03N00AB4DA0DDD000	KLV58004	KGBVKR03N
DN 15	1/2"	VKR04G00AB4DA0DDD000	VKR04N00AB4DA0DDD000	LKR04G00AB4DA0DDD000	LKR04N00AB4DA0DDD000	KLV58006	KGBVKR04N
DN 20	3/4"	VKR05G00AB4DA0DDD000	VKR05N00AB4DA0DDD000	LKR05G00AB4DA0DDD000	LKR05N00AB4DA0DDD000	KLV58006	KGBVKR05N
DN 25	1"	VKR06G00AB4DA0DDD000	VKR06N00AB4DA0DDD000	LKR06G00AB4DA0DDD000	LKR06N00AB4DA0DDD000	KLV58008	KGBVKR06N
DN 32	1" 1/4	VKR07G00AB4DA0DDD000	VKR07N00AB4DA0DDD000	LKR07G00AB4DA0DDD000	LKR07N00AB4DA0DDD000	KLV58008	KGBVKR07N
DN 40	1" 1/2	VKR08G00AB4DA0DDD000	VKR08N00AB4DA0DDD000	LKR08G00AB4DA0DDD000	LKR08N00AB4DA0DDD000	KLV58010	KGBVKR08N
DN 50	2"	VKR09G00AB4DA0DDD000	VKR09N00AB4DA0DDD000	LKR09G00AB4DA0DDD000	LKR09N00AB4DA0DDD000	KLV58010	KGBVKR09N

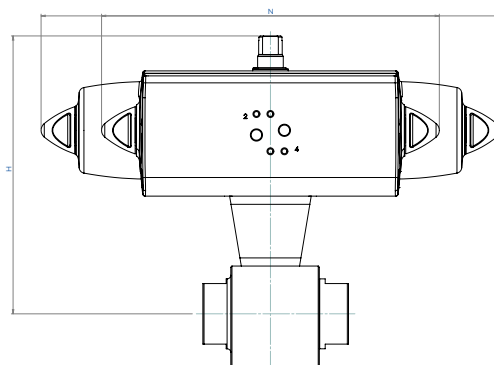


MISURA SIZE		DIMENSIONI DIMENSIONS																	
DN [mm]	[inch]	ØA	B	C	ØP	D	E	G	H	I	L	ISO	ØM	ØN	T/F	CH. Q	Y	X	Kg*
DN 08	1/4"	9	1/4"	11,5	60	55	25,5	20	45,5	8,2	85	F03	36	M5	6/M10	32	141,5	67	1,5
DN 10	3/8"	9	3/8"	11,5	60	55	25,5	20	45,5	8,2	85	F03	36	M5	6/M10	32	141,5	67	1,5
DN 15	1/2"	13	1/2"	15	75	60	32,5	22,5	55	9,8	90	F04	42	M5	8/M12	38	151,5	80	2,5
DN 20	3/4"	19	3/4"	16,5	79	60	35	22,5	57,5	9,8	90	F04	42	M5	8/M12	45	151,5	82	2,7
DN 25	1"	25	1"	19,5	94,5	76	41	28,5	69,5	14,6	125	F05	50	M6	10/M16	52	276,5	92	4,5
DN 32	1" 1/4	32	1" 1/4	22	104	76	46,5	28,5	75	14,6	125	F05	50	M6	10/M16	65	276,5	98	5,5
DN 40	1" 1/2	38	1" 1/2	22	129	90	56,5	41	97,5	21,9	150	F07	70	M8	14/M22	75	351,5	117	9,8
DN 50	2"	51	2"	26	149,5	104	68	39,5	107,5	20,9	170	F07	70	M8	14/M22	95	351,5	128	14,3

*Asse libero. Free shaft.



KRATOS - ALTA CICLICITÀ HIGH CYCLE ACCIAIO INOX STAINLESS STEEL CON ATTUATORE WITH ACTUATOR



CON ATTUATORE PNEUMATICO DOPPIO EFFETTO WITH DOUBLE ACTING PNEUMATIC ACTUATOR

MISURA SIZE		CODICE ARTICOLO - versione EN ISO 228 ITEM CODE - EN ISO 228 version	CODICE ARTICOLO - versione NPT ITEM CODE - NPT version	ATTUATORE ACTUATOR	KIT montaggio Mounting KIT	N [mm]	H [mm]	Kg
DN [mm]	[inch]							
DN 08	1/4"	DKR02G00AB4DA0DDD000AFDA0	DKR02N00AB4DA0DDD000AFDA0	DAN0045412S	KCNAHD5782	188,5	160	3,0
DN 10	3/8"	DKR03G00AB4DA0DDD000AFDA0	DKR03N00AB4DA0DDD000AFDA0	DAN0045412S	KCNAHD5782	188,5	160,0	3,0
DN 15	1/2"	DKR04G00AB4DA0DDD000AFDA0	DKR04N00AB4DA0DDD000AFDA0	DAN0045412S	KCNBCHD5783	188,5	177,0	4,1
DN 20	3/4"	DKR05G00AB4DA0DDD000AFDA0	DKR05N00AB4DA0DDD000AFDA0	DAN0060412S	KCNBCHD5784	198,0	185,4	4,8
DN 25	1"	DKR06G00AB4DA0DDD000AFDA0	DKR06N00AB4DA0DDD000AFDA0	DAN0106411S	KCNCHD5785	237,0	204,3	8,0
DN 32	1" 1/4	DKR07G00AB4DA0DDD000AFDA0	DKR07N00AB4DA0DDD000AFDA0	DAN0120411S	KCNCHD5785	257,5	213,5	9,1
DN 40	1" 1/2	DKR08G00AB4DA0DDD000AFDA0	DKR08N00AB4DA0DDD000AFDA0	DAN0180411S	KCNDDHD5786	290,0	254,0	16,0
DN 50	2"	DKR09G00AB4DA0DDD000AFDA0	DKR09N00AB4DA0DDD000AFDA0	DAN0240411S	KCNDDHD5787	313,6	269,1	22,4

CON ATTUATORE PNEUMATICO SEMPLICE EFFETTO WITH SPRING RETURN PNEUMATIC ACTUATOR

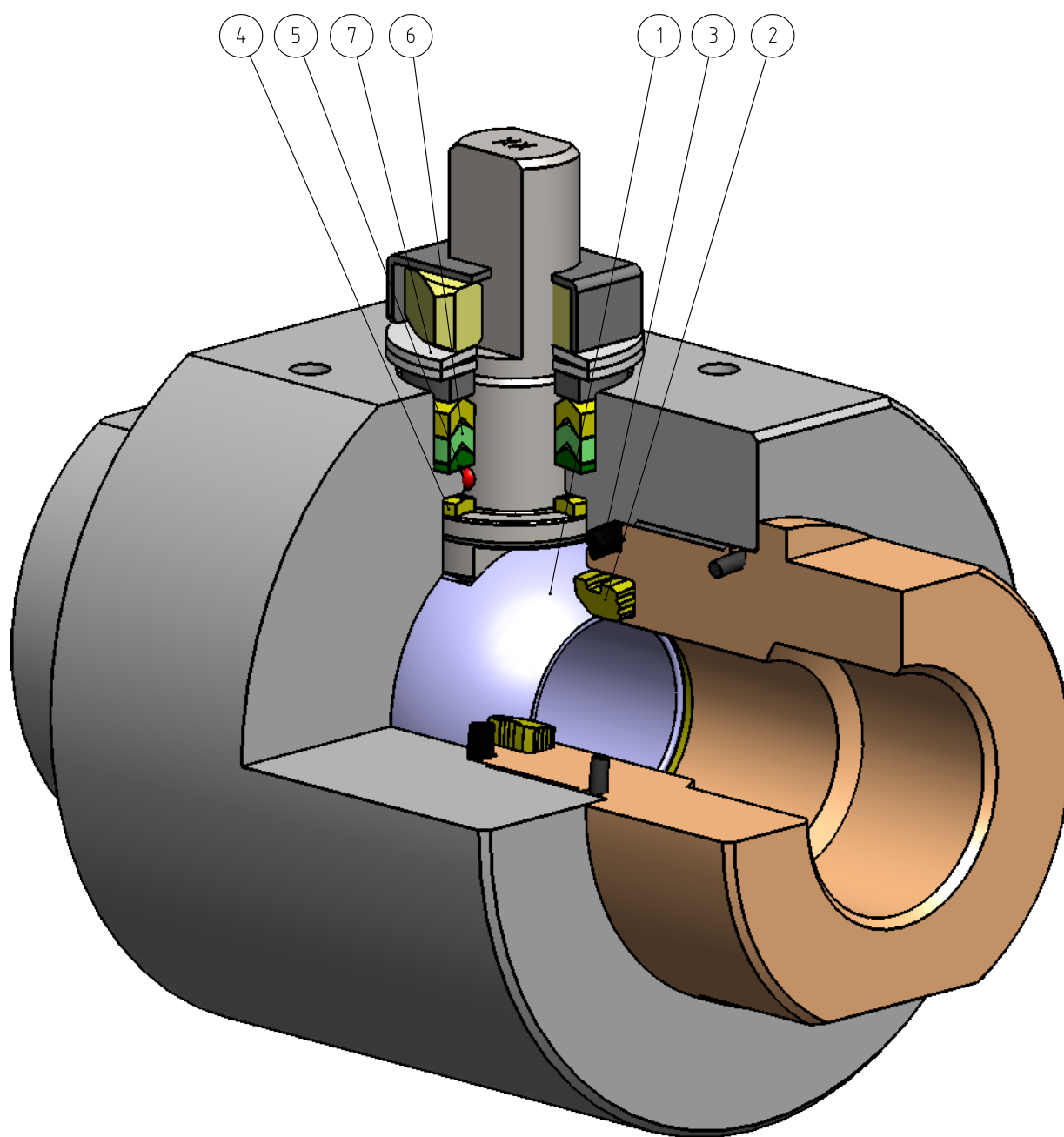
MISURA SIZE		CODICE ARTICOLO - versione EN ISO 228 ITEM CODE - EN ISO 228 version	CODICE ARTICOLO - versione NPT ITEM CODE - NPT version	ATTUATORE ACTUATOR	KIT montaggio Mounting KIT	N [mm]	H [mm]	Kg
DN [mm]	[inch]							
DN 08	1/4"	SKR02G00AB4DA0DDD000AFGA0	SKR02N00AB4DA0DDD000AFGA0	SRN0053401S	KCNACHD5788	304,3	188,8	5,0
DN 10	3/8"	SKR03G00AB4DA0DDD000AFGA0	SKR03N00AB4DA0DDD000AFGA0	SRN0053401S	KCNACHD5788	304,3	188,8	5,0
DN 15	1/2"	SKR04G00AB4DA0DDD000AFGA0	SKR04N00AB4DA0DDD000AFGA0	SRN0053401S	KCNBCHD5789	304,3	195,8	6,0
DN 20	3/4"	SKR05G00AB4DA0DDD000AFGA0	SKR05N00AB4DA0DDD000AFGA0	SRN0060401S	KCNBCHD5789	338,5	202,0	6,7
DN 25	1"	SKR06G00AB4DA0DDD000AFGA0	SKR06N00AB4DA0DDD000AFGA0	SRN0090401S	KCNCDHD5790	393,7	238,5	11,7
DN 32	1" 1/4	SKR07G00AB4DA0DDD000AFGA0	SKR07N00AB4DA0DDD000AFGA0	SRN0120401S	KCNCDHD5790	409,6	247,6	13,6
DN 40	1" 1/2	SKR08G00AB4DA0DDD000AFGA0	SKR08N00AB4DA0DDD000AFGA0	SRN0180401S	KCNDDHD5786	474,0	264,5	20,3
DN 50	2"	SKR09G00AB4DA0DDD000AFGA0	SKR09N00AB4DA0DDD000AFGA0	SRN0240401S	KCNDEHD5791	520,5	313,0	29,6

Dimensionamento degli attuatori pneumatici fatto considerando una pressione minima di alimentazione pari a 5,6 barg.
Sizing of pneumatic actuators by minimum pressure rate 5,6 barg.

Versione con Attuatore Elettrico A RICHIESTA (NOTA: gli attuatori elettrici OMAL non sono disponibili in versione ATEX).
Version with Electric Actuator ON REQUEST (PLEASE NOTE: OMAL electric actuators are not available in ATEX execution).



KRATOS ALTA CICLICITÀ *HIGH CYCLE* **PER FLUIDI NON AUTO-LUBRIFICANTI** *NON SELF-LUBRICATING MEDIA*





FEATURES & BENEFITS

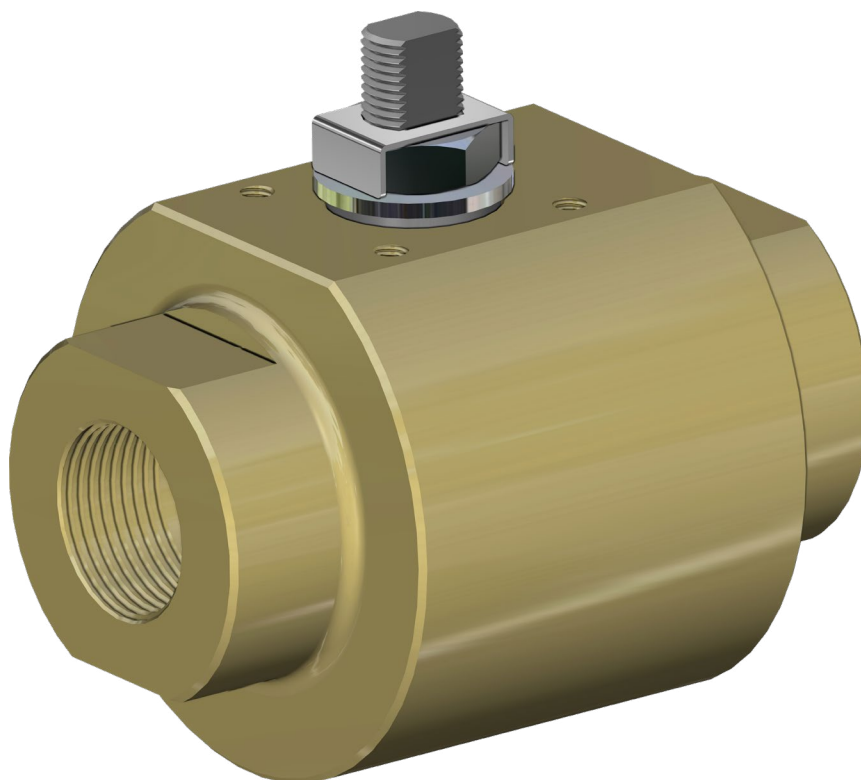
1	Sfera in acciaio inossidabile con rivestimento in Cromo Duro da 40 µm. <i>Stainless steel ball, coated with 40 µm Hard Chrome.</i>	Maggior tenuta nel tempo grazie alla bassa usura della sfera. <i>Longer seal life due to the low wear of the ball.</i>
2	Tenuta in "LUBROSEAT". <i>Seat in "LUBROSEAT".</i>	Compound di resina acetale con additivi a proprietà autolubrificanti. <i>Acetal resin compound containing self-lubricating additives.</i>
		Ideale per intercettare fluidi non autolubrificanti. <i>Ideal for non-lubricating fluids.</i>
3	Guarnizione Corpo-Manicotto in DEVLON. <i>DEVLON Body-End gasket.</i>	Elevata resistenza alla sollecitazione. <i>High resistance to stress.</i>
		Tenuta supplementare a protezione dell'oring. <i>Supplementary gasket for oring protection.</i>
4	Anello antifrizione in DEVLON. <i>DEVLON Bottom sealing.</i>	Minor usura rispetto a tenute non modificate. <i>Less wear comparing with not modify seat.</i>
		Elevata resistenza alla sollecitazione. <i>High resistance to stress.</i>
5	Antistatic Device (continuità elettrica tra sfera, stelo e corpo). <i>Antistatic Device (electrical continuity between ball, stem and body).</i>	Si evitano cariche elettrostatiche che potrebbero essere causa d'innescio in ambienti infiammabili e/o esplosivi. <i>Static electricity is avoided which can cause sparks and fire in an inflammable/explosive environment.</i>
		Sicurezza garantita dal contatto durante tutta la vita della valvola. <i>Contact safety throughout the entire life of the valve.</i>
6	Pacco guarnizioni a "V" con 3 guarnizioni. <i>"V" seals pack with 3 seals.</i>	Si garantisce una perfetta tenuta anche dopo un numero elevato di cicli. <i>It ensures a perfect tightness even after a high number of cycles.</i>
7	Molle a tazza sulla tenuta dello stelo. <i>Spring washer on the shaft seal.</i>	Garantiscono il recupero dei giochi dovuti all'usura causata dal movimento semirotatorio dell'albero evitando perdite verso l'esterno. <i>Guarantee of the recovery of the gap due to the wear caused by the rotational movement of the shaft avoiding leakage towards the outside part.</i>
		Consentono di mantenere energizzate le guarnizioni tipo "chevron" (a V), evitando perdite verso l'esterno, a fronte di notevoli escursioni termiche. <i>Allow to maintain energized the "chevron" seals (V), thus avoiding any leakage to the outside, against huge temperature excursions.</i>
	Maggiore precisione nell'allineamento degli assi grazie alla lavorazione dal grezzo al finito con un unico posizionamento. <i>Greater precision in the alignment of axes due to a unique positioning in the process machining from raw material to finished valve.</i>	Maggior vita della valvola stessa. <i>Longer lifetime of the valve.</i>
		Minor coppia di azionamento. <i>Less breakaway torque.</i>
	Corpo valvola in acciaio al carbonio realizzato con materiale normalizzato certificato NACE in esecuzione standard. <i>Valve body in carbon steel made with NACE certified material as standard.</i>	Garantisce una maggior resistenza alla corrosione. <i>Greater corrosion resistance.</i>
		Maggior duttilità del materiale. <i>Greater ductility of the material.</i>
	Processo produttivo interamente eseguito in OMAL. <i>100% in-house manufacturing process technology.</i>	Massimo controllo in tutte le fasi di lavorazione. <i>Maximum control and accuracy in all the stages of the manufacturing process.</i>
		Possibilità di fornire rapidamente esecuzioni speciali richieste dal cliente. <i>Flexibility in supply quickly special executions requested by customers.</i>
	Certificato PED. <i>PED Certificate.</i>	Piena conformità alle norme di sicurezza europee per i dispositivi in pressione. <i>Full compliance with European Safety Standards for Pressure Equipment.</i>
	Certificato Fugitive Emission ISO 15848 (ISO FE AH-C03-SSA 0). <i>Fugitive Emission ISO 15848 (ISO FE AH-C03-SSA 0) certificate.</i>	Garantisce un elevato grado di sicurezza della tenuta stelo verso l'esterno. <i>High level of safety of the tightness towards the outside is granted.</i>
	Certificato ATEX. <i>ATEX Certificate.</i>	Ne consente l'installazione in presenza di ambiente potenzialmente esplosivo. <i>Installation is possible in a potential explosive environment.</i>
	Certificato fino a SIL 3. <i>Up to SIL 3 certified.</i>	Elevato livello di sicurezza funzionale garantito. <i>Guarantee of the high level of functional safety.</i>



KRATOS ALTA CICLICITÀ HIGH CYCLE

PER FLUIDI NON AUTO-LUBRIFICANTI NON SELF-LUBRICATING MEDIA

ACCIAIO AL CARBONIO CARBON STEEL

**ESECUZIONE STANDARD:**

- Estremità filettate EN ISO 228-1 o NPT.
- Sfera flottante, passaggio totale.
- Tenuta soft-seat **LUBROSEAT**.
- Tenuta stelo con pacco a V di serie.
- Temperature di utilizzo: da -30°C a +80°C.
- Classe di tenuta: EN12266-1 rate A.
- Antistatic device EN12266-2.
- Stelo anti Blow-out.
- Foratura piano per attuatore a norma ISO 5211.
- Trattamento superficiale di Zincatura.
- Fluido intercettato: fluidi liquidi o gassosi purchè compatibili con i materiali costruttivi.

STANDARD FEATURES:

- *Threaded ends EN ISO 228-1 or NPT.*
- *Floating ball, full bore.*
- *Soft-seat seal **LUBROSEAT**.*
- *Stem seal with V-pack.*
- *Operating temperature: from -30°C to +80°C.*
- *Tightness Class: EN12266-1 rate A.*
- *Antistatic device EN12266-2.*
- *Anti Blow-out stem.*
- *Actuator connection as per standard ISO 5211.*
- *Superficial treatment: Galvanized.*
- *Intercepted fluid: liquid or gaseous fluids as long as they are compatible with the construction materials.*

ESECUZIONI A RICHIESTA:

- Guarnizioni di tenuta in: PTFE caricato vetro (PTFE-GF), PTFE caricato carbografite (PTFE-CF), PTFE Modificato, PEEK. Per altri tipi di materiale contattare il nostro ufficio commerciale.
- Esecuzione monodirezionale con foro di compensazione della pressione nella sfera.
- Leva inox; dadi e molle stelo inox. Per esecuzioni con materiali (corpo/ sfera/stelo) diversi dallo standard contattare il nostro ufficio commerciale.
- Per altri trattamenti superficiali contattare il nostro ufficio commerciale.
- Marcatura e certificato ATEX A RICHIESTA.

FEATURES ON REQUEST:

- *Sealing: PTFE glass filled (PTFE-GF), PTFE carbon-graphite filled (PTFE-CF), Modified PTFE, PEEK. For other types of materials please contact our sales department.*
- *Mono-directional version with pressure-relief hole in the ball.*
- *Stainless steel lever . For versions in materials different from the standard (body, ball, stem), please contact our sales department.*
- *For other coating please contact our sales department.*
- *ATEX marking and certificate ON REQUEST.*

CERTIFICAZIONI:

- Conforme alla Direttiva Europea 2014/68/EU PED.
- Fugitive Emission ISO 15848 (ISO FE AH-C03-SSA 0) -50°C/+100°C.
- **Livello di sicurezza funzionale fino a SIL 3 in accordo a IEC 61508.**
- Conforme alla Direttiva Europea 2014/34/EU ATEX (certificato ATEX A RICHIESTA).

CERTIFICATIONS:

- *In compliance with European Directive 2014/68/EU PED.*
- *Fugitive Emission ISO 15848 (ISO FE AH-C03-SSA 0) -50°C/+100°C.*
- ***Safety integrity level up to SIL 3 according to IEC 61508.***
- *In compliance with ATEX 2014/34/EU European Directive (ATEX certificate ON REQUEST).*

NORME DI PROGETTAZIONE:

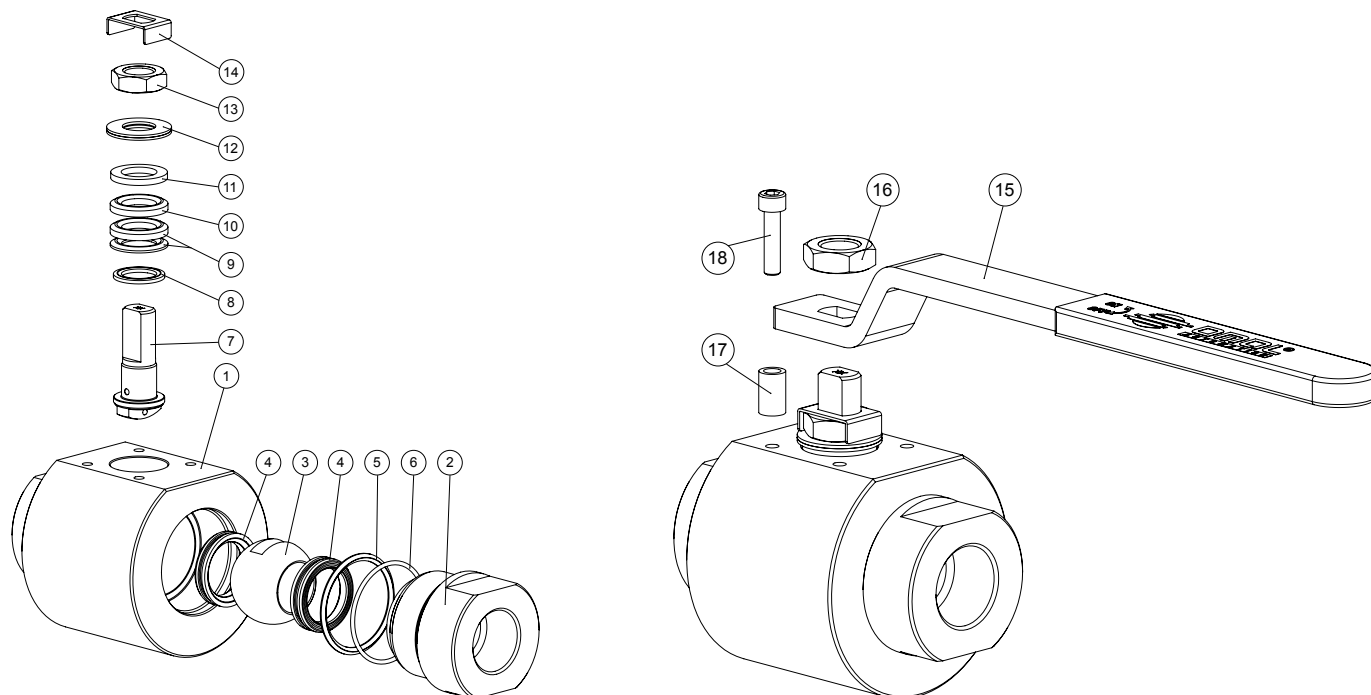
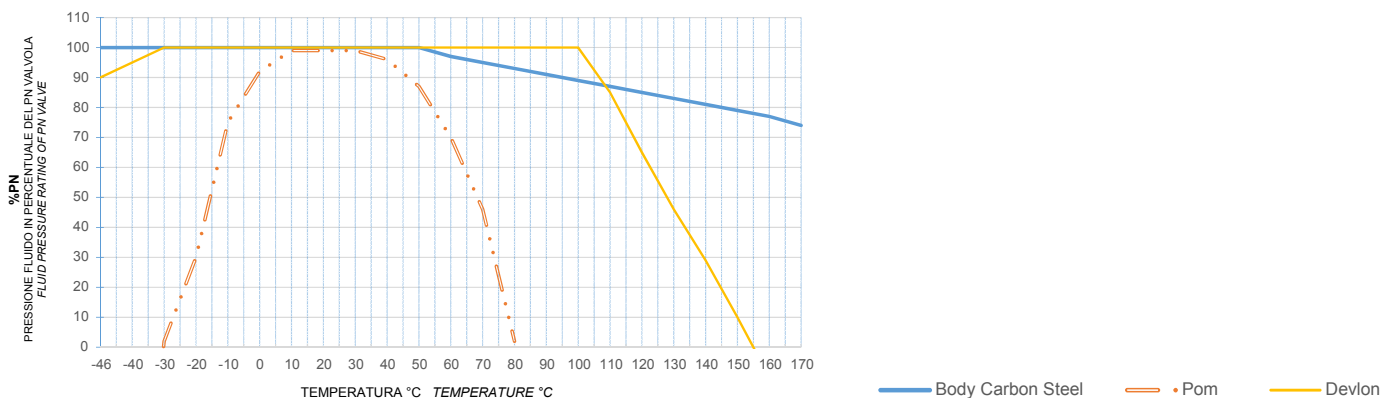
- Spessori corpo in accordo a: ASME B16.34, ASME VIII div.1, EN 12516.

ENGINEERING STANDARDS:

- *Body thickness in compliance with: ASME B16.34, ASME VIII div.1, EN 12516.*



DIAGRAMMA PRESSIONE/TEMPERATURA PRESSURE/TEMPERATURE DIAGRAM



MATERIALI		MATERIALS	
1	Corpo <i>Body</i>	ASTM A350 LF2 Zincato - <i>Galvanized</i>	
2	Manicotto <i>End</i>	ASTM A350 LF2 Zincato - <i>Galvanized</i>	
3	Sfera <i>Ball</i>	A217 CA15 / A479 TP.410 / A182 F6A + <i>Hard chromium plated</i>	
4*	Seggio <i>Seats</i>	Filled POM	
5*	Guarnizione Corpo-Manicotto <i>Body-Ends gasket</i>	DEVLON	
6*	O'ring Corpo-Manicotto <i>Body-Ends o'ring</i>	HNBR	
7	Stelo <i>Stem</i>	A564 TP.630 (17-4 PH)	
8*	Anello antifrizione <i>Bottom sealing</i>	DEVLON	
9*	Pacco a V <i>Chevron rings</i>	TFM1600	
10*	Pacco a V <i>Chevron ring</i>	DEVLON	
11	Anello premiguarnizione <i>Packing gland ring</i>	Acciaio al carbonio Zincato - <i>Carbon steel Galvanized</i>	
12	Molle a tazza <i>Springs washer</i>	Acciaio al carbonio Zincato - <i>Carbon steel Galvanized</i>	
13	Dado stelo <i>Stem nut</i>	Acciaio al carbonio Zincato - <i>Carbon steel Galvanized</i>	
14	Fermo dado <i>Stop nut plate</i>	304 S.S.	
15	Leva <i>Lever</i>	Fe37 Zincato - <i>Galvanized</i>	
16	Controdado <i>Lock nut</i>	Acciaio al carbonio Zincato - <i>Carbon steel Galvanized</i>	
17	Fermo di posizione <i>Holder screw</i>	Acciaio al carbonio Zincato - <i>Carbon steel Galvanized</i>	
18	Vite di fermo <i>Holder screw</i>	A2-70 (304 S.S.)	

*Componenti del kit di guarnizioni. *Components of seals kit.

COPPIE DI SPUNTO in Nm		BREAKAWAY TORQUES Nm							
PN	Size	DN 08 1/4"	DN 10 3/8"	DN 15 1/2"	DN 20 3/4"	DN 25 1"	DN 32 1 1/4"	DN 40 1 1/2"	DN 50 2"
6000 PSI / 413 bar		25	25	32	42	63			
5000 PSI / 344 bar							83	126	
4000 PSI / 276 bar									168

I valori della coppia in Nm possono variare in funzione della temperatura e del fluido. Considerare un fattore di sicurezza pari a 1.4.
Torque can vary depending on temperature and type of fluid, a safety factor 1.4 must be applied.

PORTATA KV m ³ /h		FLOW RATE KV m ³ /h							
KV m ³ /h		10	11	20	60	100	130	170	280

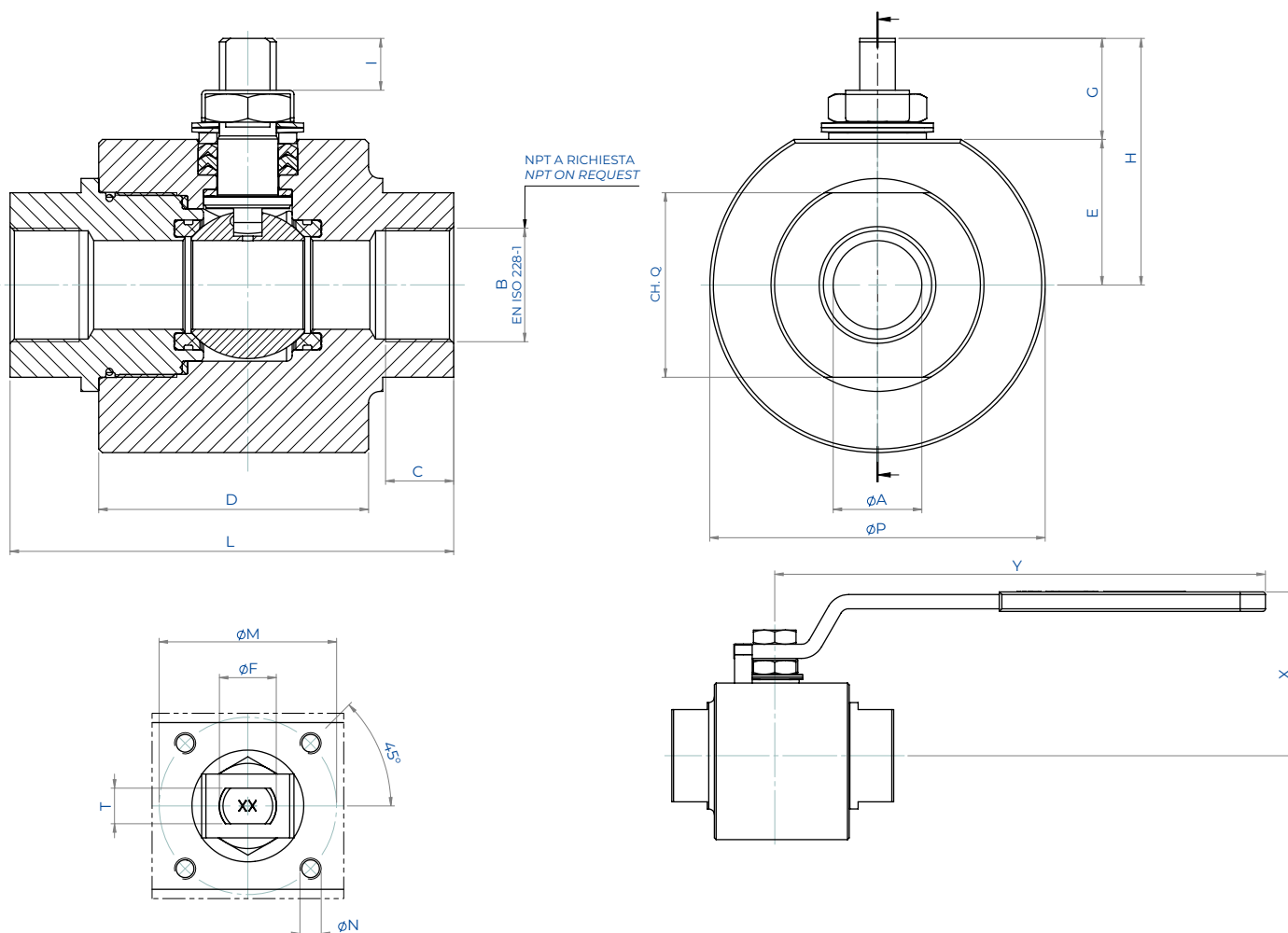
Il valore Kv è il valore di portata in m³/h (con acqua a 15°C) che provoca la caduta di pressione di 1 bar.
Kv is the coefficient, expressed in m³/h (with water at 15°C) causing a pressure loss of 1 bar.

KRATOS



KRATOS - ALTA CICLICITÀ HIGH CYCLE
FLUIDI NON AUTO-LUBRIFICANTI NON SELF-LUBRICATING MEDIA
ACCIAIO AL CARBONIO CARBON STEEL
ASSE LIBERO E CON LEVA FREE SHAFT AND WITH LEVER

MISURA SIZE		ASSE LIBERO FREE SHAFT		CON LEVA WITH LEVER			
DN [mm]	[inch]	Asse libero - ISO228 Free shaft - ISO228	Asse libero - NPT Free shaft - NPT	Con leva - ISO228 With lever - ISO228	Con leva - NPT With lever - NPT	Kit leva Lever kit	Kit guarnizioni Seals kit
DN 08	1/4"	VKR02G00CB4DA0PDD00Z	VKR02N00CB4DA0PDD00Z	LKR02G00CB4DA0PDD00Z	LKR02N00CB4DA0PDD00Z	KLV58004	KGBVKR03P
DN 10	3/8"	VKR03G00CB4DA0PDD00Z	VKR03N00CB4DA0PDD00Z	LKR03G00CB4DA0PDD00Z	LKR03N00CB4DA0PDD00Z	KLV58004	KGBVKR03P
DN 15	1/2"	VKR04G00CB4DA0PDD00Z	VKR04N00CB4DA0PDD00Z	LKR04G00CB4DA0PDD00Z	LKR04N00CB4DA0PDD00Z	KLV58006	KGBVKR04P
DN 20	3/4"	VKR05G00CB4DA0PDD00Z	VKR05N00CB4DA0PDD00Z	LKR05G00CB4DA0PDD00Z	LKR05N00CB4DA0PDD00Z	KLV58006	KGBVKR05P
DN 25	1"	VKR06G00CB4DA0PDD00Z	VKR06N00CB4DA0PDD00Z	LKR06G00CB4DA0PDD00Z	LKR06N00CB4DA0PDD00Z	KLV58008	KGBVKR06P
DN 32	1" 1/4	VKR07G00CB4DA0PDD00Z	VKR07N00CB4DA0PDD00Z	LKR07G00CB4DA0PDD00Z	LKR07N00CB4DA0PDD00Z	KLV58008	KGBVKR07P
DN 40	1" 1/2	VKR08G00CB4DA0PDD00Z	VKR08N00CB4DA0PDD00Z	LKR08G00CB4DA0PDD00Z	LKR08N00CB4DA0PDD00Z	KLV58010	KGBVKR08P
DN 50	2"	VKR09G00CB4DA0PDD00Z	VKR09N00CB4DA0PDD00Z	LKR09G00CB4DA0PDD00Z	LKR09N00CB4DA0PDD00Z	KLV58010	KGBVKR09P

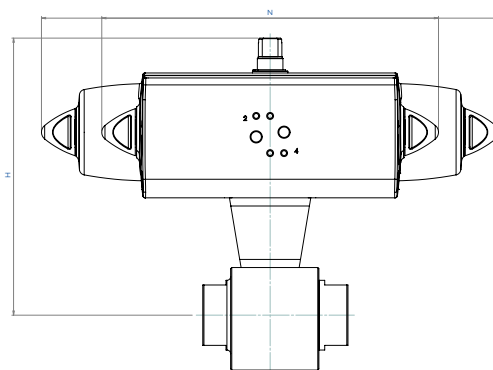
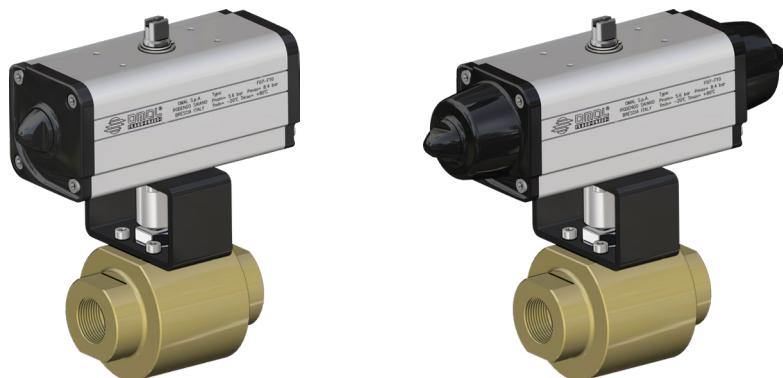


MISURA SIZE		DIMENSIONI DIMENSIONS																	
DN [mm]	[inch]	ϕA	B	C	ϕP	D	E	G	H	I	L	ISO	ϕM	ϕN	T/F	CH. Q	Y	X	Kg*
DN 08	1/4"	9	1/4"	11,5	60	55	25,5	20	45,5	8,2	85	F03	36	M5	6/M10	32	141,5	67	1,5
DN 10	3/8"	9	3/8"	11,5	60	55	25,5	20	45,5	8,2	85	F03	36	M5	6/M10	32	141,5	67	1,5
DN 15	1/2"	13	1/2"	15	75	60	32,5	22,5	55	9,8	90	F04	42	M5	8/M12	38	151,5	80	2,5
DN 20	3/4"	19	3/4"	16,5	79	60	35	22,5	57,5	9,8	90	F04	42	M5	8/M12	45	151,5	82	2,7
DN 25	1"	25	1"	19,5	94,5	76	41	28,5	69,5	14,6	125	F05	50	M6	10/M16	52	276,5	92	4,5
DN 32	1" 1/4	32	1" 1/4	22	104	76	46,5	28,5	75	14,6	125	F05	50	M6	10/M16	65	276,5	98	5,5
DN 40	1" 1/2	38	1" 1/2	22	129	90	56,5	41	97,5	21,9	150	F07	70	M8	14/M22	75	351,5	117	9,8
DN 50	2"	51	2"	26	149,5	104	68	39,5	107,5	20,9	170	F07	70	M8	14/M22	95	351,5	128	14,3

*Asse libero. Free shaft.



KRATOS - ALTA CICLICITÀ HIGH CYCLE
FLUIDI NON AUTO-LUBRIFICANTI NON SELF-LUBRICATING MEDIA
ACCIAIO AL CARBONIO CARBON STEEL
CON ATTUATORE WITH ACTUATOR



CON ATTUATORE PNEUMATICO DOPPIO EFFETTO
WITH DOUBLE ACTING PNEUMATIC ACTUATOR

MISURA SIZE		CODICE ARTICOLO - versione EN ISO 228 ITEM CODE - EN ISO 228 version	CODICE ARTICOLO - versione NPT ITEM CODE - NPT version	ATTUATORE ACTUATOR	KIT montaggio Mounting KIT	N [mm]	H [mm]	Kg
DN [mm]	[inch]							
DN 08	1/4"	DKR02G00CB4DA0PDD00ZAFDA0	DKR02N00CB4DA0PDD00ZAFDA0	DAN0045412S	KCNAHD5782	188,5	160	3,0
DN 10	3/8"	DKR03G00CB4DA0PDD00ZAFDA0	DKR03N00CB4DA0PDD00ZAFDA0	DAN0045412S	KCNAHD5782	188,5	160,0	3,0
DN 15	1/2"	DKR04G00CB4DA0PDD00ZAFDA0	DKR04N00CB4DA0PDD00ZAFDA0	DAN0045412S	KCNBCHD5783	188,5	177,0	4,1
DN 20	3/4"	DKR05G00CB4DA0PDD00ZAFDA0	DKR05N00CB4DA0PDD00ZAFDA0	DAN0060412S	KCNBCHD5784	198,0	185,4	4,8
DN 25	1"	DKR06G00CB4DA0PDD00ZAFDA0	DKR06N00CB4DA0PDD00ZAFDA0	DAN0106411S	KCNCHD5785	237,0	204,3	8,0
DN 32	1" 1/4"	DKR07G00CB4DA0PDD00ZAFDA0	DKR07N00CB4DA0PDD00ZAFDA0	DAN0120411S	KCNCHD5785	257,5	213,5	9,1
DN 40	1" 1/2"	DKR08G00CB4DA0PDD00ZAFDA0	DKR08N00CB4DA0PDD00ZAFDA0	DAN0180411S	KCNDDHD5786	290,0	254,0	16,0
DN 50	2"	DKR09G00CB4DA0PDD00ZAFDA0	DKR09N00CB4DA0PDD00ZAFDA0	DAN0240411S	KCNDDHD5787	313,6	269,1	22,4

CON ATTUATORE PNEUMATICO SEMPLICE EFFETTO
WITH SPRING RETURN PNEUMATIC ACTUATOR

MISURA SIZE		CODICE ARTICOLO - versione EN ISO 228 ITEM CODE - EN ISO 228 version	CODICE ARTICOLO - versione NPT ITEM CODE - NPT version	ATTUATORE ACTUATOR	KIT montaggio Mounting KIT	N [mm]	H [mm]	Kg
DN [mm]	[inch]							
DN 08	1/4"	SKR02G00CB4DA0PDD00ZAFDA0	SKR02N00CB4DA0PDD00ZAFDA0	SRN0053401S	KCNACHD5788	304,3	188,8	5,0
DN 10	3/8"	SKR03G00CB4DA0PDD00ZAFDA0	SKR03N00CB4DA0PDD00ZAFDA0	SRN0053401S	KCNACHD5788	304,3	188,8	5,0
DN 15	1/2"	SKR04G00CB4DA0PDD00ZAFDA0	SKR04N00CB4DA0PDD00ZAFDA0	SRN0053401S	KCNBCHD5789	304,3	195,8	6,0
DN 20	3/4"	SKR05G00CB4DA0PDD00ZAFDA0	SKR05N00CB4DA0PDD00ZAFDA0	SRN0060401S	KCNBCHD5789	338,5	202,0	6,7
DN 25	1"	SKR06G00CB4DA0PDD00ZAFDA0	SKR06N00CB4DA0PDD00ZAFDA0	SRN0090401S	KCNCDHD5790	393,7	238,5	11,7
DN 32	1" 1/4"	SKR07G00CB4DA0PDD00ZAFDA0	SKR07N00CB4DA0PDD00ZAFDA0	SRN0120401S	KCNCDHD5790	409,6	247,6	13,6
DN 40	1" 1/2"	SKR08G00CB4DA0PDD00ZAFDA0	SKR08N00CB4DA0PDD00ZAFDA0	SRN0180401S	KCNDDHD5786	474,0	264,5	20,3
DN 50	2"	SKR09G00CB4DA0PDD00ZAFDA0	SKR09N00CB4DA0PDD00ZAFDA0	SRN0240401S	KCNDEHD5791	520,5	313,0	29,6

Dimensionamento degli attuatori pneumatici fatto considerando una pressione minima di alimentazione pari a 5,6 barg.
 Sizing of pneumatic actuators by minimum pressure rate 5,6 barg.

Versione con Attuatore Elettrico A RICHIESTA (NOTA: gli attuatori elettrici OMAL non sono disponibili in versione ATEX).
 Version with Electric Actuator ON REQUEST (PLEASE NOTE: OMAL electric actuators are not available in ATEX execution).

**KRATOS** ALTA CICLICITÀ *HIGH CYCLE*PER FLUIDI NON AUTO-LUBRIFICANTI *NON SELF-LUBRICATING MEDIA***ACCIAIO INOX** *STAINLESS STEEL***ESECUZIONE STANDARD:**

- Estremità filettate EN ISO 228-1 o NPT.
- Sfera flottante, passaggio totale.
- Tenuta soft-seat **LUBROSEAT**.
- Tenuta stelo con pacco a V di serie.
- Temperature di utilizzo: da -30°C a +80°C.
- Classe di tenuta: EN12266-1 rate A.
- Antistatic device EN12266-2.
- Stelo anti Blow-out.
- Foratura piano per attuatore a norma ISO 5211.
- Fluido intercettato: fluidi liquidi o gassosi purchè compatibili con i materiali costruttivi.

STANDARD FEATURES:

- *Threaded ends EN ISO 228-1 or NPT.*
- *Floating ball, full bore.*
- *Soft-seat seal **LUBROSEAT**.*
- *Stem seal with V-pack.*
- *Operating temperature: from -30°C to +80°C.*
- *Tightness Class: EN12266-1 rate A.*
- *Antistatic device EN12266-2.*
- *Anti Blow-out stem.*
- *Actuator connection as per standard ISO 5211.*
- *Intercepted fluid: liquid or gaseous fluids as long as they are compatible with the construction materials.*

ESECUZIONI A RICHIESTA:

- Guarnizioni di tenuta in: PTFE caricato vetro (PTFE-GF), PTFE caricato carbografite (PTFE-CF), PTFE Modificato, PEEK. Per altri tipi di materiale contattare il nostro ufficio commerciale.
- Esecuzione monodirezionale con foro di compensazione della pressione nella sfera.
- Leva inox; dadi e molle stelo inox. Per esecuzioni con materiali (corpo/ sfera/stelo) diversi dallo standard contattare il nostro ufficio commerciale.
- Per altri trattamenti superficiali contattare il nostro ufficio commerciale.
- Marcatura e certificato ATEX A RICHIESTA.

FEATURES ON REQUEST:

- *Sealing: PTFE glass filled (PTFE-GF), PTFE carbon-graphite filled (PTFE-CF), Modified PTFE, PEEK. For other types of materials please contact our sales department.*
- *Mono-directional version with pressure-relief hole in the ball.*
- *Stainless steel lever . For versions in materials different from the standard (body, ball, stem), please contact our sales department.*
- *For other coating please contact our sales department.*
- *ATEX marking and certificate ON REQUEST.*

CERTIFICAZIONI:

- Conforme alla Direttiva Europea 2014/68/EU PED.
- Fugitive Emission ISO 15848 (ISO FE AH-C03-SSA 0) -50°C/+100°C.
- **Livello di sicurezza funzionale fino a SIL 3 in accordo a IEC 61508.**
- Conforme alla Direttiva Europea 2014/34/EU ATEX (certificato ATEX A RICHIESTA).

CERTIFICATIONS:

- *In compliance with European Directive 2014/68/EU PED.*
- *Fugitive Emission ISO 15848 (ISO FE AH-C03-SSA 0) -50°C/+100°C.*
- ***Safety integrity level up to SIL 3 according to IEC 61508.***
- *In compliance with ATEX 2014/34/EU European Directive (ATEX certificate ON REQUEST).*

NORME DI PROGETTAZIONE:

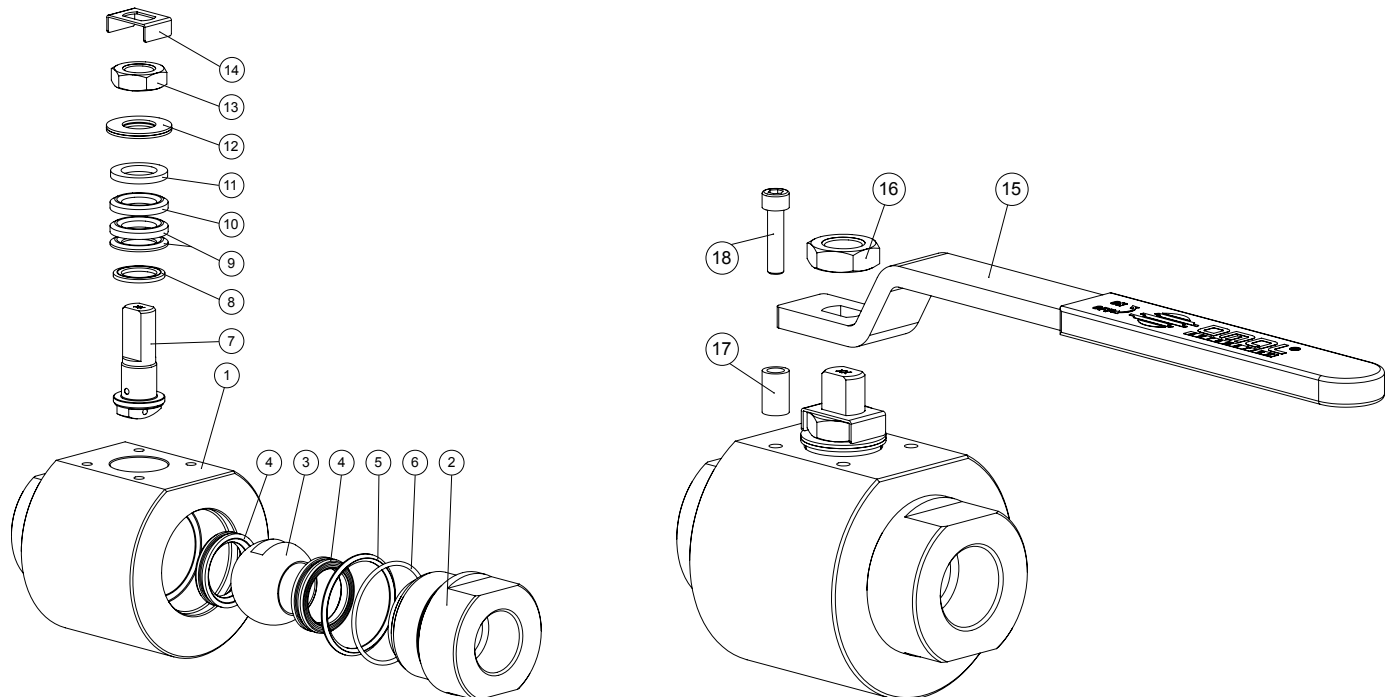
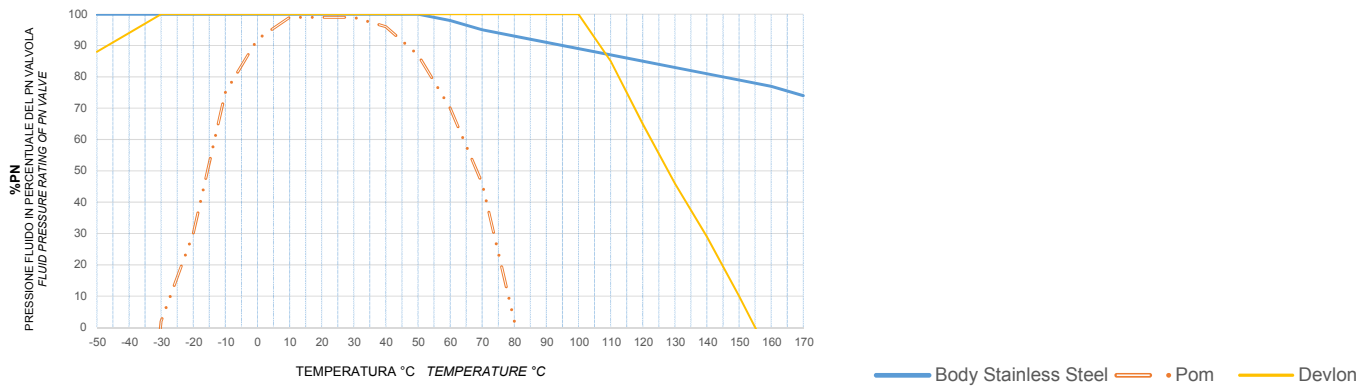
- Spessori corpo in accordo a: ASME B16.34, ASME VIII div.1, EN 12516.

ENGINEERING STANDARDS:

- *Body thickness in compliance with: ASME B16.34, ASME VIII div.1, EN 12516.*



DIAGRAMMA PRESSIONE/TEMPERATURA PRESSURE/TEMPERATURE DIAGRAM



MATERIALI MATERIALS

1	Corpo <i>Body</i>	ASTM A182 F316 / A479 TP316 (1.4401 / X5CrNiMo 17-12-2)
2	Manicotto <i>End</i>	ASTM A182 F316 / A479 TP316 (1.4401 / X5CrNiMo 17-12-2)
3	Sfera <i>Ball</i>	A217 CA15 / A479 TP410 / A182 F6A + <i>Hard chromium plated</i>
4*	Seggio <i>Seats</i>	Filled POM
5*	Guarnizione Corpo-Manicotto <i>Body-Ends gasket</i>	DEVLON
6*	O'ring Corpo-Manicotto <i>Body-Ends o'ring</i>	HNBR
7	Stelo <i>Stem</i>	A564 TP.630 (17-4 PH)
8*	Anello antifrizione <i>Bottom sealing</i>	DEVLON
9*	Pacco a V <i>Chevron rings</i>	TFM1600
10*	Pacco a V <i>Chevron ring</i>	DEVLON
11	Anello premiguarnizione <i>Packing gland ring</i>	304 S.S.
12	Molle a tazza <i>Springs washer</i>	Acciaio al carbonio Zincato - <i>Carbon steel Galvanized</i>
13	Dado stelo <i>Stem nut</i>	Acciaio al carbonio Zincato - <i>Carbon steel Galvanized</i>
14	Fermo dado <i>Stop nut plate</i>	304 S.S.
15	Leva <i>Lever</i>	Fe37 Zincato - <i>Galvanized</i>
16	Controdado <i>Lock nut</i>	Acciaio al carbonio Zincato - <i>Carbon steel Galvanized</i>
17	Fermo di posizione <i>Holder screw</i>	Acciaio al carbonio Zincato - <i>Carbon steel Galvanized</i>
18	Vite di fermo <i>Holder screw</i>	A2-70 (304 S.S.)

*Componenti del kit di guarnizioni. *Components of seals kit.

COPPIE DI SPUNTO in Nm BREAKAWAY TORQUES Nm

PN	Size	DN 08 1/4"	DN 10 3/8"	DN 15 1/2"	DN 20 3/4"	DN 25 1"	DN 32 1 1/4"	DN 40 1 1/2"	DN 50 2"
6000 PSI / 413 bar		25	25	32	42	63			
5000 PSI / 344 bar							83	126	
4000 PSI / 276 bar									168

I valori della coppia in Nm possono variare in funzione della temperatura e del fluido. Considerare un fattore di sicurezza pari a 1.4.
Torque can vary depending on temperature and type of fluid, a safety factor 1.4 must be applied.

PORTATA KV m³/h FLOW RATE KV m³/h

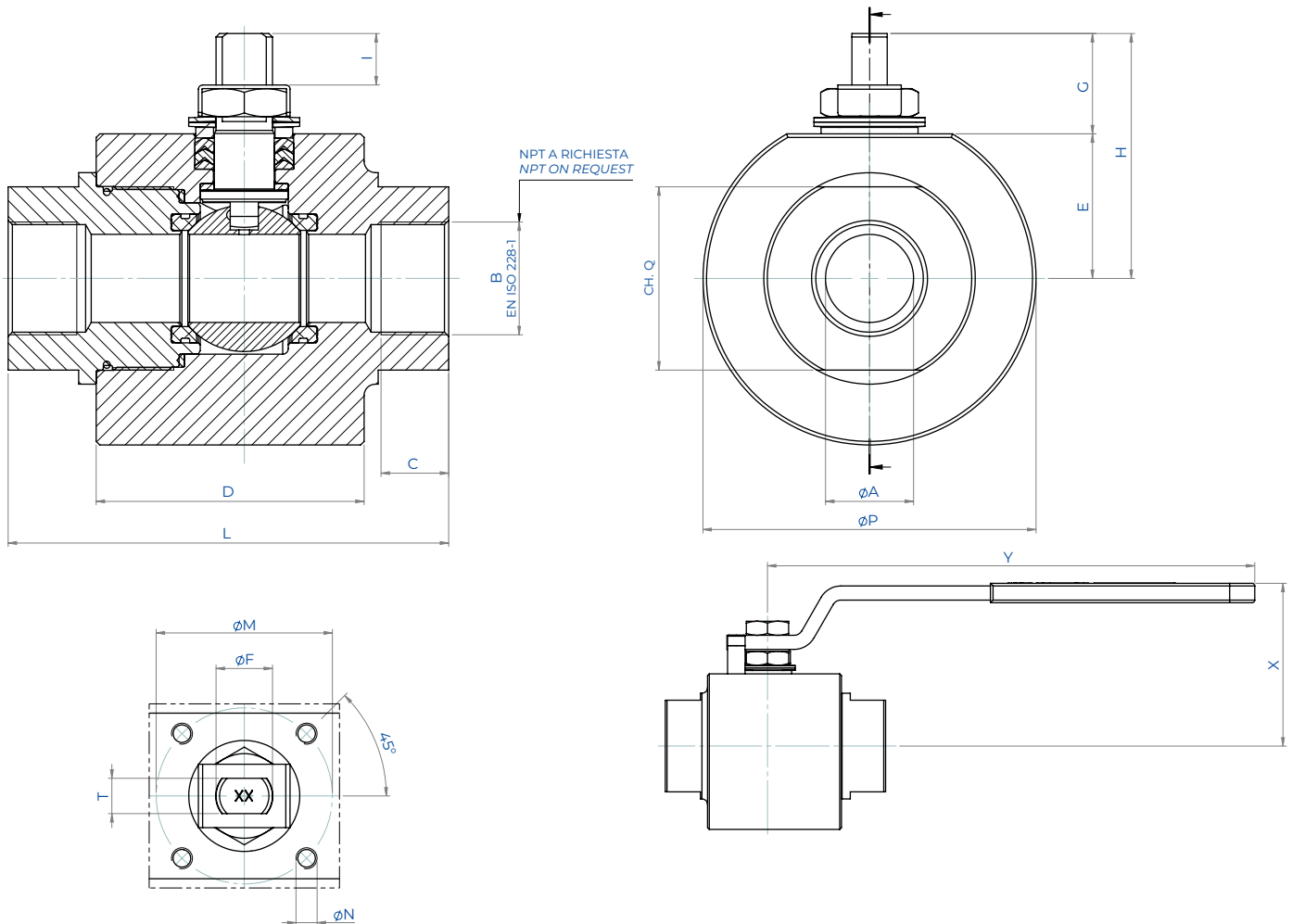
KV m ³ /h	10	11	20	60	100	130	170	280
----------------------	----	----	----	----	-----	-----	-----	-----

Il valore Kv è il valore di portata in m³/h (con acqua a 15°C) che provoca la caduta di pressione di 1 bar.
Kv is the coefficient, expressed in m³/h (with water at 15°C) causing a pressure loss of 1 bar.



KRATOS - ALTA CICLICITÀ HIGH CYCLE
FLUIDI NON AUTO-LUBRIFICANTI NON SELF-LUBRICATING MEDIA
ACCIAIO INOX STAINLESS STEEL
ASSE LIBERO E CON LEVA FREE SHAFT AND WITH LEVER

MISURA SIZE		ASSE LIBERO FREE SHAFT		CON LEVA WITH LEVER			
DN [mm]	[inch]	Asse libero - ISO228 Free shaft - ISO228	Asse libero - NPT Free shaft - NPT	Con leva - ISO228 With lever - ISO228	Con leva - NPT With lever - NPT	Kit leva Lever kit	Kit guarnizioni Seals kit
DN 08	1/4"	VKR02G00AB4DA0PDD000	VKR02N00AB4DA0PDD000	LKR02G00AB4DA0PDD000	LKR02N00AB4DA0PDD000	KLV58004	KGBVKR03P
DN 10	3/8"	VKR03G00AB4DA0PDD000	VKR03N00AB4DA0PDD000	LKR03G00AB4DA0PDD000	LKR03N00AB4DA0PDD000	KLV58004	KGBVKR03P
DN 15	1/2"	VKR04G00AB4DA0PDD000	VKR04N00AB4DA0PDD000	LKR04G00AB4DA0PDD000	LKR04N00AB4DA0PDD000	KLV58006	KGBVKR04P
DN 20	3/4"	VKR05G00AB4DA0PDD000	VKR05N00AB4DA0PDD000	LKR05G00AB4DA0PDD000	LKR05N00AB4DA0PDD000	KLV58006	KGBVKR05P
DN 25	1"	VKR06G00AB4DA0PDD000	VKR06N00AB4DA0PDD000	LKR06G00AB4DA0PDD000	LKR06N00AB4DA0PDD000	KLV58008	KGBVKR06P
DN 32	1" 1/4	VKR07G00AB4DA0PDD000	VKR07N00AB4DA0PDD000	LKR07G00AB4DA0PDD000	LKR07N00AB4DA0PDD000	KLV58008	KGBVKR07P
DN 40	1" 1/2	VKR08G00AB4DA0PDD000	VKR08N00AB4DA0PDD000	LKR08G00AB4DA0PDD000	LKR08N00AB4DA0PDD000	KLV58010	KGBVKR08P
DN 50	2"	VKR09G00AB4DA0PDD000	VKR09N00AB4DA0PDD000	LKR09G00AB4DA0PDD000	LKR09N00AB4DA0PDD000	KLV58010	KGBVKR09P

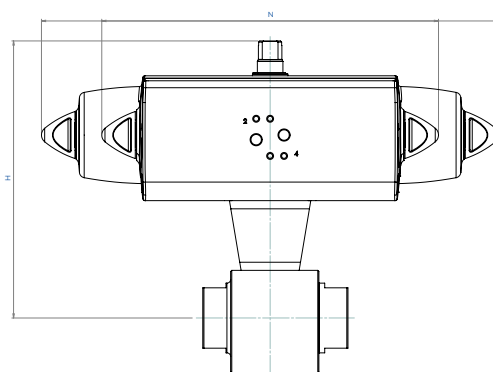


MISURA SIZE		DIMENSIONI DIMENSIONS																	
DN [mm]	[inch]	ØA	B	C	ØP	D	E	G	H	I	L	ISO	ØM	ØN	T/F	CH. Q	Y	X	Kg*
DN 08	1/4"	9	1/4"	11,5	60	55	25,5	20	45,5	8,2	85	F03	36	M5	6/M10	32	141,5	67	1,5
DN 10	3/8"	9	3/8"	11,5	60	55	25,5	20	45,5	8,2	85	F03	36	M5	6/M10	32	141,5	67	1,5
DN 15	1/2"	13	1/2"	15	75	60	32,5	22,5	55	9,8	90	F04	42	M5	8/M12	38	151,5	80	2,5
DN 20	3/4"	19	3/4"	16,5	79	60	35	22,5	57,5	9,8	90	F04	42	M5	8/M12	45	151,5	82	2,7
DN 25	1"	25	1"	19,5	94,5	76	41	28,5	69,5	14,6	125	F05	50	M6	10/M16	52	276,5	92	4,5
DN 32	1" 1/4	32	1" 1/4	22	104	76	46,5	28,5	75	14,6	125	F05	50	M6	10/M16	65	276,5	98	5,5
DN 40	1" 1/2	38	1" 1/2	22	129	90	56,5	41	97,5	21,9	150	F07	70	M8	14/M22	75	351,5	117	9,8
DN 50	2"	51	2"	26	149,5	104	68	39,5	107,5	20,9	170	F07	70	M8	14/M22	95	351,5	128	14,3

*Asse libero. Free shaft.



KRATOS - ALTA CICLICITÀ HIGH CYCLE
FLUIDI NON AUTO-LUBRIFICANTI NON SELF-LUBRICATING MEDIA
ACCIAIO INOX STAINLESS STEEL
CON ATTUATORE WITH ACTUATOR



CON ATTUATORE PNEUMATICO DOPPIO EFFETTO
WITH DOUBLE ACTING PNEUMATIC ACTUATOR

MISURA SIZE		CODICE ARTICOLO - versione EN ISO 228 ITEM CODE - EN ISO 228 version	CODICE ARTICOLO - versione NPT ITEM CODE - NPT version	ATTUATORE ACTUATOR	KIT montaggio Mounting KIT	N [mm]	H [mm]	Kg
DN [mm]	[inch]							
DN 08	1/4"	DKR02G00AB4DA0PDD000AFDA0	DKR02N00AB4DA0PDD000AFDA0	DAN0045412S	KCNAHD5782	188,5	160	3,0
DN 10	3/8"	DKR03G00AB4DA0PDD000AFDA0	DKR03N00AB4DA0PDD000AFDA0	DAN0045412S	KCNAHD5782	188,5	160,0	3,0
DN 15	1/2"	DKR04G00AB4DA0PDD000AFDA0	DKR04N00AB4DA0PDD000AFDA0	DAN0045412S	KCNBCHD5783	188,5	177,0	4,1
DN 20	3/4"	DKR05G00AB4DA0PDD000AFEAO	DKR05N00AB4DA0PDD000AFEAO	DAN0060412S	KCNBCHD5784	198,0	185,4	4,8
DN 25	1"	DKR06G00AB4DA0PDD000AFGA0	DKR06N00AB4DA0PDD000AFGA0	DAN0106411S	KCNCHD5785	237,0	204,3	8,0
DN 32	1" 1/4	DKR07G00AB4DA0PDD000AFHA0	DKR07N00AB4DA0PDD000AFHA0	DAN0120411S	KCNCHD5785	257,5	213,5	9,1
DN 40	1" 1/2	DKR08G00AB4DA0PDD000AFIA0	DKR08N00AB4DA0PDD000AFIA0	DAN0180411S	KCNDHD5786	290,0	254,0	16,0
DN 50	2"	DKR09G00AB4DA0PDD000AFJA0	DKR09N00AB4DA0PDD000AFJA0	DAN0240411S	KCNDHD5787	313,6	269,1	22,4

CON ATTUATORE PNEUMATICO SEMPLICE EFFETTO
WITH SPRING RETURN PNEUMATIC ACTUATOR

MISURA SIZE		CODICE ARTICOLO - versione EN ISO 228 ITEM CODE - EN ISO 228 version	CODICE ARTICOLO - versione NPT ITEM CODE - NPT version	ATTUATORE ACTUATOR	KIT montaggio Mounting KIT	N [mm]	H [mm]	Kg
DN [mm]	[inch]							
DN 08	1/4"	SKR02G00AB4DA0PDD000AFGA0	SKR02N00AB4DA0PDD000AFGA0	SRN0053401S	KCNACHD5788	304,3	188,8	5,0
DN 10	3/8"	SKR03G00AB4DA0PDD000AFGA0	SKR03N00AB4DA0PDD000AFGA0	SRN0053401S	KCNACHD5788	304,3	188,8	5,0
DN 15	1/2"	SKR04G00AB4DA0PDD000AFGA0	SKR04N00AB4DA0PDD000AFGA0	SRN0053401S	KCNBCHD5789	304,3	195,8	6,0
DN 20	3/4"	SKR05G00AB4DA0PDD000AFHA0	SKR05N00AB4DA0PDD000AFHA0	SRN0060401S	KCNBCHD5789	338,5	202,0	6,7
DN 25	1"	SKR06G00AB4DA0PDD000AFIA0	SKR06N00AB4DA0PDD000AFIA0	SRN0090401S	KCNCDHD5790	393,7	238,5	11,7
DN 32	1" 1/4	SKR07G00AB4DA0PDD000AFJA0	SKR07N00AB4DA0PDD000AFJA0	SRN0120401S	KCNCDHD5790	409,6	247,6	13,6
DN 40	1" 1/2	SKR08G00AB4DA0PDD000AFKA0	SKR08N00AB4DA0PDD000AFKA0	SRN0180401S	KCNDHD5786	474,0	264,5	20,3
DN 50	2"	SKR09G00AB4DA0PDD000AFLA0	SKR09N00AB4DA0PDD000AFLA0	SRN0240401S	KCNDEHD5791	520,5	313,0	29,6

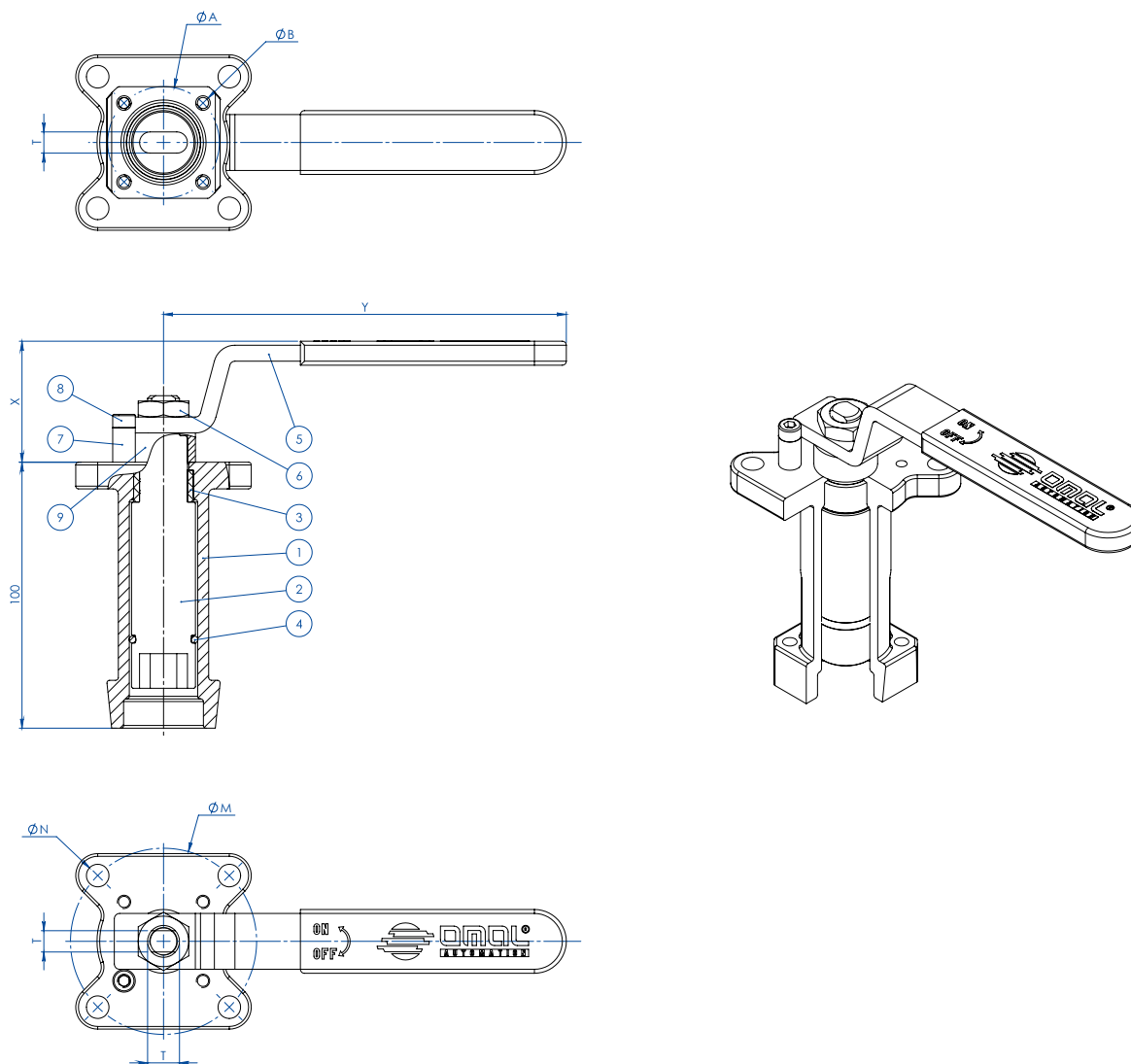
Dimensionamento degli attuatori pneumatici fatto considerando una pressione minima di alimentazione pari a 5,6 barg.
 Sizing of pneumatic actuators by minimum pressure rate 5,6 barg.

Versione con Attuatore Elettrico A RICHIESTA (NOTA: gli attuatori elettrici OMAL non sono disponibili in versione ATEX).
 Version with Electric Actuator ON REQUEST (PLEASE NOTE: OMAL electric actuators are not available in ATEX execution).



ACCESSORI KRATOS KRATOS ACCESSORIES

PROLUNGA GUIDATA DA FUSIONE A LEVA CASTING STEM EXTENSION WITH LEVER



MATERIALI MATERIALS		
PART. N°	DESCRIZIONE - DESCRIPTION	MATERIALE - MATERIAL
1	Prolunga Extension	ASTM A351 CF8M
2	Perno Pin	AISI 430 F
3	Bussola Bush	DELTRIN
4	O-RING O-RING	NBR
5	Leva Lever	Fe 37 galvanized (*)
6	Dado Nut	galvanized carbon steel (*)
7	Fermo leva Holder Lever	galvanized carbon steel (*)
8	Vite fermo leva Holder screw	A2-70
9	Distanziale Spacer	PTFE Carbon Filled

(*): a richiesta disponibili in 304 S.S. On request available in Aisi 304 s.s.

DIMENSIONI DIMENSIONS							
ISO VALVOLA VALVE	ØA	ØB	ØM	ØN	F/T	X	Y
F03	36	5,5	36	M5	10/6	38,5	141,5
F04	42	5,5	42	M5	12/8	45,5	151,5
F05	50	6,5	50	6,5	16/10	48,5	276,5
F07	70	8,5	70	8,5	22/14	57,5	351,5
F10	102	11	102	11	30/18	79,5	451,5

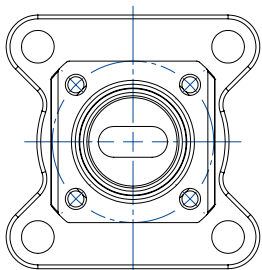
NOTA: Il codice della prolunga dipende dal tipo di azionamento e dall'attacco valvola; richiedere in fase d'ordine.

NOTE: Code of the stem extension depending from drive's type and valve's connection; to be requested at the order.

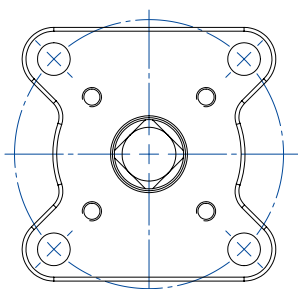
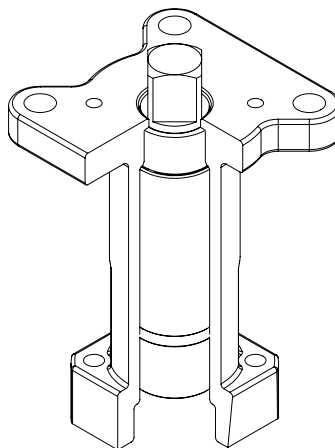
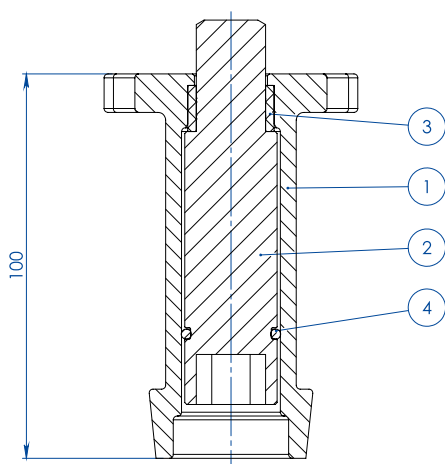


ACCESSORI KRATOS KRATOS ACCESSORIES

PROLUNGA GUIDATA DA FUSIONE PER ATTUATORE CASTING STEM EXTENSION FOR ACTUATORS



NOTA: Le dimensioni dipendono dalle dimensioni dell'attacco valvola
NOTE: Dimensions depending from valve's connection



NOTA: Le dimensioni dipendono dalla taglia dell'attuatore
NOTE: Dimensions depending from actuator's size

MATERIALI MATERIALS		
PART. N°	DESCRIZIONE DESCRIPTION	MATERIALE MATERIAL
1	Prolunga Extension	ASTM A351 CF8M
2	Perno Pin	AISI 430 F
3	Bussola Bush	DELFIN
4	O-RING O-RING	NBR

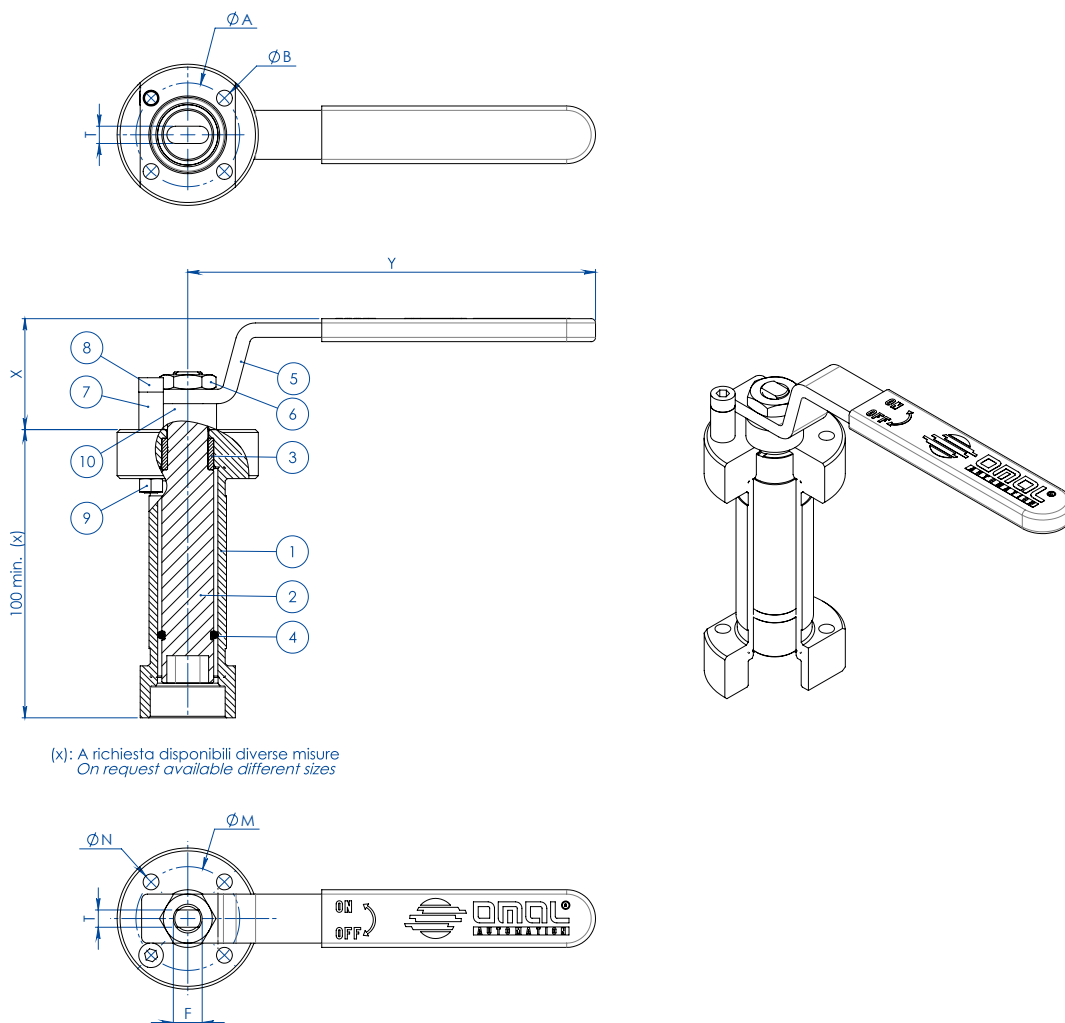
NOTA: Il codice della prolunga dipende dal tipo di azionamento e dall'attacco valvola; richiedere in fase d'ordine.

NOTE: Code of the stem extension depending from drive's type and valve's connection; to be requested at the order.



ACCESSORI KRATOS KRATOS ACCESSORIES

PROLUNGA GUIDATA SALDATA A LEVA WELDED STEM EXTENSION WITH LEVER



(x): A richiesta disponibili diverse misure
On request available different sizes

MATERIALI MATERIALS		
PART. N°	DESCRIZIONE - DESCRIPTION	MATERIALE - MATERIAL
1	Prolunga Extension	304 S.S.
2	Perno Pin	AISI 430 F
3	Bussola Bush	DELRIN
4	O-RING O-RING	NBR
5	Leva Lever	Fe 37 galvanized (*)
6	Dado Nut	galvanized carbon steel (*)
7	Fermo leva Holder Lever	galvanized carbon steel (*)
8	Vite fermo leva Holder screw	A2-70
9	Dado fermo leva Holder nut	A2-70 (**)
10	Distanziale Spacer	PTFE Carbon Filled

(*): a richiesta disponibili in 304 S.S. On request available in Aisi 304 s.s.

(**): non presente su valvole con attacco iso F04. No available on valves with Iso connection F04

DIMENSIONI DIMENSIONS							
ISO VALVOLA VALVE	ØA	ØB	ØM	ØN	F/T	X	Y
F03	36	5,5	36	5,5	10/6	38,5	141,5
F04	42	5,5	42	M5	12/8	45,5	151,5
F05	50	6,5	50	6,5	16/10	48,5	276,5
F07	70	9	70	9	22/14	57,5	351,5
F10	102	11	102	11	30/18	79,5	451,5

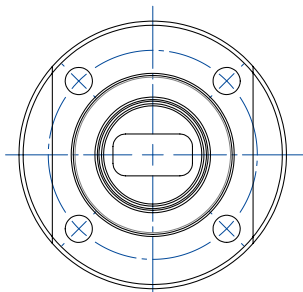
NOTA: Il codice della prolunga dipende dal tipo di azionamento e dall'attacco valvola; richiedere in fase d'ordine.

NOTE: Code of the stem extension depending from drive's type and valve's connection; to be requested at the order.

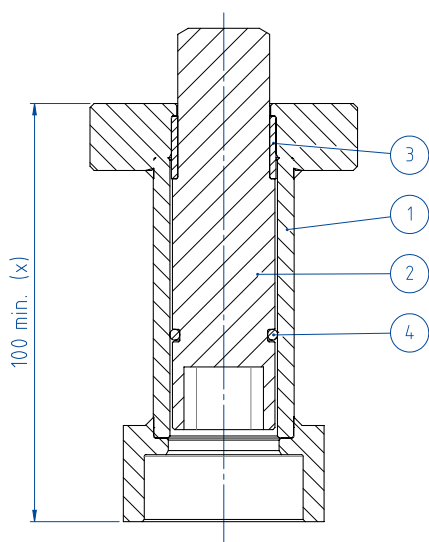


ACCESSORI KRATOS KRATOS ACCESSORIES

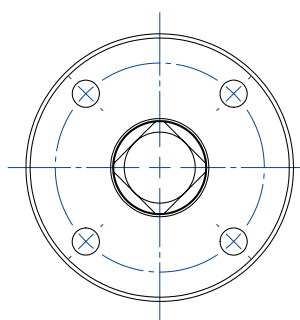
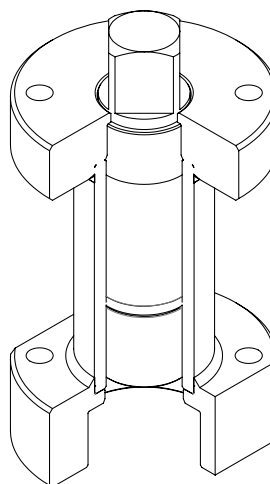
PROLUNGA GUIDATA SALDATA PER ATTUATORE WELDED STEM EXTENSION FOR ACTUATORS



NOTA: Le dimensioni dipendono dalle dimensioni dell'attacco valvola
NOTE: Dimensions depending from valve's connection



(x): A richiesta disponibili diverse misure
On request available different sizes



NOTA: Le dimensioni dipendono dalla taglia dell'attuatore
NOTE: Dimensions depending from actuator's size

MATERIALI MATERIALS		
PART. N°	DESCRIZIONE DESCRIPTION	MATERIALE MATERIAL
1	Prolunga Extension	304 S.S.
2	Perno Pin	AISI 430 F
3	Bussola Bush	DELFIN
4	O-RING O-RING	NBR

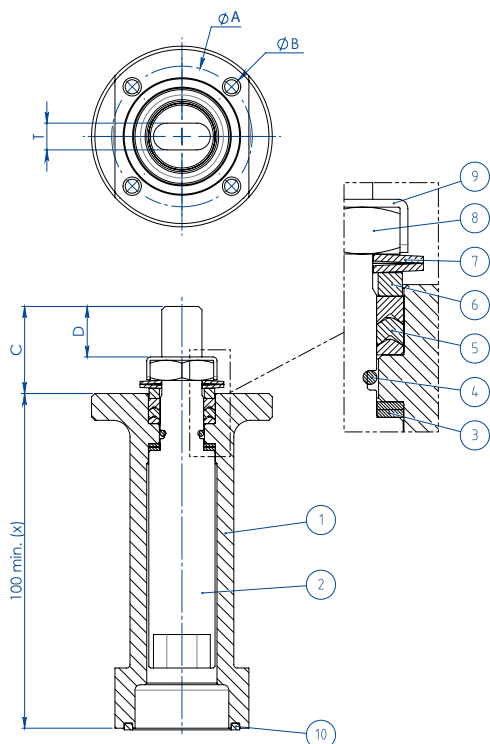
NOTA: Il codice della prolunga dipende dal tipo di azionamento e dall'attacco valvola; richiedere in fase d'ordine.

NOTE: Code of the stem extension depending from drive's type and valve's connection; to be requested at the order.

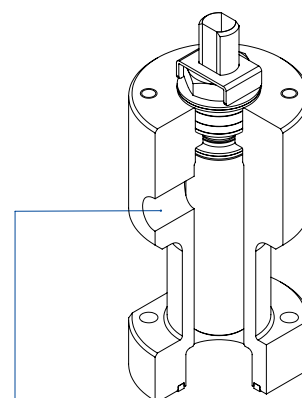
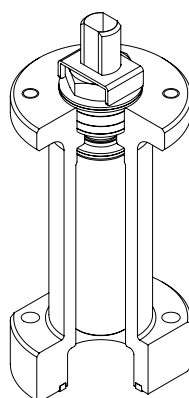


ACCESSORI KRATOS KRATOS ACCESSORIES

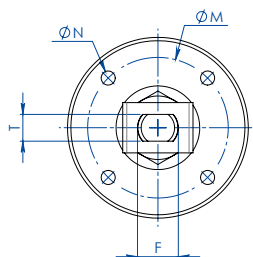
PROLUNGA CON TENUTA AGGIUNTIVA STEM EXTENSION WITH ADDITIONAL SEAL



(x): A richiesta disponibili diverse misure
On request available different sizes



A richiesta disponibile anche la versione con presa per Sniffer
Stem extension with sniffer also available on request



MATERIALI MATERIALS

PART. N°	DESCRIZIONE - DESCRIPTION	MATERIALE - MATERIAL
1	Prolunga Extension	304 s.s.
2	Perno Pin	A564 TP.630 (17-4ph)
3	Anello Antifrizione Bottom Sealing	TFM1600
4	O-Ring O-Ring	FKM
5	Pacco A V Chevron Ring	TFM1600
6	Anello Premiguarnizione Packing Gland Ring	304 s.s.
7	Molle A Tazza Spring Washer	50CrV4 Zincato - Galvanized
8	Dado Stelo Stem Nut	UNI 3740-1 6S Zincato - Galvanized
9	Piastra Blocca Dado Stop Nut Plate	304 s.s.
10	Guarnizione di tenuta Gasket	GRAFOIL

DIMENSIONI DIMENSIONS

ISO VALVOLA VALVE	ØA	ØB	ØM	ØN	F/T	C	D
F03	36	5,5	36	M5	10/6	20	10,2
F04	42	5,5	42	M5	12/8	26	15,1
F05	50	6,5	50	M6	16/10	35	21,2
F07	70	8,5	70	M8	22/14	47,5	28,4
F10	102	10,5	102	M10	30/18	61	35,2

NOTA: Il codice della prolunga dipende dal tipo di azionamento e dall'attacco valvola; richiedere in fase d'ordine.

NOTE: Code of the stem extension depending from drive's type and valve's connection; to be requested at the order.





DNV

FULL QUALITY ASSURANCE CERTIFICATE

Certificate No.: CS39822 Initial Date: 01 January, 2023 Validity: 01 January, 2023 – 31 December, 2025
This certificate consists of 2 pages

This is to certify that the quality system of:
OMAL S.p.A.
Via Ponte Nuovo, 11 - 25050 Rodengo Saiano (BS) - Italy

has been assessed and found to comply with respect to the conformity assessment procedure described in:
ANNEX III MODULE H OF DIRECTIVE 2014/68/EU ON PRESSURE EQUIPMENT

This certificate is valid for the following scope:

Type of Pressure Equipment	Pressure Accessory
Product Name	Ball valves, high pressure ball valves, butterfly valves, pneumatic valves.

Place and date:
Venezuela, 03 December, 2022

Check Validity

For the issuing office:
Notified Body 0495, Italy
DNV Business Assurance Italy S.r.l.

Noticia Privada Management Representative

Loss of Validity of conditions as set out in the Certification Agreement may render this Certificate invalid.
NOTIFIED BODY 0495, DNV Business Assurance Italy S.r.l. Via Energy Park, 14, 20071 Venezia (VE), Italy. Tel: 02 98 99 202. www.dnv.com ICP-4-0-0-PED-FR-0-0

▲ PED

Certificazione del Sistema di Qualità applicato per la progettazione, fabbricazione, ispezione finale e la prova di valvole industriali in accordo con i requisiti della Direttiva PED.

OMAL operated Quality Management System Certificate for the design, manufacture, final inspection and tests of industrial valves in accordance with PED Directives.

EX **INERIS**

Appareil non électrique destiné à être utilisé en atmosphères explosibles
Non electrical equipment intended for use in potentially explosive atmospheres
Apparecchi non elettrici destinati ad essere utilizzati in atmosfera potenzialmente esplosiva

Directive 2014/34/EU
Directive 2014/34/UE / Direttiva 2014/34/UE

ACCUSÉ DE RECEPTION D'UN DOSSIER TECHNIQUE ACKNOWLEDGE RECEIPT OF TECHNICAL DOCUMENTATION AVVISO DI RICEVIMENTO DEL FASCICOLO TECNICO

Appareil / Equipment / Apparecchiatura: **BALL VALVES**

Type(s) / Type(s) / Type(s): **Wafer type, Split body type, Split Wafer type steel ball valves / Two-piece, Three-piece steel ball valve High-pressure - threaded ends / Two-piece brass ball valves threaded ends**

Marquage / Marking / Marcatura: **EX B Z GD**

Dépositaire / Applicant / Richiedente: **OMAL S.p.A.**
Via Ponte Nuovo 11
I - 25050 Rodengo Saiano (BS)

L'INERIS, organisme notifié en INERIS, notified body and identified L'INERIS, organismo notificato e identificato
Identifié sous le numéro 0000, selon le numéro 0000, in accordance with: con il n.0000 conformemente agli articoli
conformément aux articles 17 et 21 de la Directive 2014/34/UE, 2014/34/UE of the 26 February 2014, Consiglio dell'Unione Europea del 26 febbraio
du 26 février 2014, accordé réception du dossier conformément à la procédure décrite au chapitre 3, article 13 b) et 14) de la Directive, 2014, conferma il ricevimento del fascicolo
procedura descritta al capitolo 3, articolo 13 b) et 14) de la Directive.

La documentazione technique référencée: **V5-19 dated 10/10/2019** The technical documentation referenced: **V5-19 dated 10/10/2019** La documentazione tecnica di riferimento: **V5-19 dated 10/10/2019**

et consignée sous le numéro d'enregistrement: **n° INERIS-EQDN 035241/19.** et consignée sous le numéro d'enregistrement: **n° INERIS-EQDN 035241/19.** e depositata con il numero di registrazione: **n° INERIS-EQDN 035241/19.**

Dans le cadre de cet enrégistrement, INERIS n'a pas examiné le contenu de la documentation technique. Nel quadro di questa registrazione, INERIS non ha esaminato il contenuto della documentazione tecnica. Nel quadro di questa registrazione, INERIS non ha esaminato il contenuto della documentazione tecnica.

Date de fin de validité: **2029.11.07** Validity completion date: **2029.11.07** Data di fine di validità: **2029.11.07**

Le Directeur Général de INERIS, Par délégation, The Chief Executive Officer of INERIS, By delegation, Il Direttore generale di INERIS, Per delega.

Parc Technologique Alata - BP 2 - F-40500 Vernouil-en-Halatte
Tél: +33(0)3 44 55 66 77 Fax: +33(0)3 44 55 66 79 Internet: www.ineris.fr
Installé au sein de l'établissement industriel et des risques
Établissement public à caractère industriel et commercial - RCS Compagnie 3 80 984 841 - Siret 381 984 801 2019 - APE 7120 - TSA Invalcom FR 731 984 821

▲ ATEX

Dichiarazione che il Sistema di Qualità applicato per la progettazione, fabbricazione, ispezione finale e la prova di valvole industriali è in accordo con i requisiti della Direttiva ATEX per apparecchiature destinate all'impiego in ambienti con atmosfera potenzialmente esplosiva.

Declaration that the Quality Management System operated by OMAL for the design, manufacture, final inspection and tests of industrial valves is in compliance with the Directive ATEX for equipment intended to be used in potentially explosive atmospheres.

TUV NORD

CERTIFICATE

This certifies, that the company
OMAL S.p.A.
Via Ponte Nuovo, 11
25050 Rodengo Saiano (BS)
Italy

Is authorized to provide the product mentioned below

Description of product: **High pressure floating ball valve series Kratos**

In accordance with: **EN 61508:2010 Parts 1, 2, 3, 4, 5, 6, 7**

Registration No 20 20256-01
Test Report No PS-20256-204-01
File reference 20256-01

Validity from 2020-03-31 until 2023-03-30

TUV NORD Italia S.r.l. (TUV NORD Group)
Via Tuzi, 70 - 20093 Cerro Maggiore (MI)

Cerro Maggiore, 2020-03-31
products@tuv-nord.it

Please also pay attention to the information stated overleaf

▲ SIL

Certificazione di conformità alla norma IEC 61508, del livello di sicurezza funzionale del prodotto destinato ad essere integrato in sistemi con un livello di integrità funzionale fino a SIL 3.

Certification of compliance to the IEC 61508 requirements, of the functional safety level provided by the product intended to be integrated in systems with required safety integrity level up to SIL 3.

TUV **TUV**

FIRE SAFE TEST CERTIFICATE

CERTIFICATE NUMBER: **FS-1107-722271470**

CLIENT ADDRESS: **OMAL S.p.A.
Via Ponte Nuovo, 11 25050 Rodengo Saiano (BS)-Italy**

TEST LOCATION: **OMAL S.p.A.
Via Brognolo, 12 25060 Passirano (BS), Italy**

REPORT NUMBER: **67**

SCOPE OF REPORT: **Fire Safe Test carried out according to: ISO 10497 Third Edition February 2010 & API 607 Seventh Edition 2016.**

QUALIFIED VALVE: **Size: 2"
Rating Class: 4000 PSI
Y: 6409
Drawing N°:
Type/Model: TWO PIECES SCREWED FLOATING BALL VALVE / KRATOS
Valve Material: 316 S.S.
Seat Insert Material: DEVLON
Gasket Material: GRAPHITE, TFM1600 & DEVLON (V CHEVRON)**

For further details of test arrangements and test results, please see Fire Test Report No.67 here with attached and duly endorsed.

RANGE AND TYPE OF VALVES COVERED (ISO 10497:2010 & API 607 7th Ed. 2016): **NPS 2" and below 2" 1/2, 3", 4" (DN 50 and below 65, 80, 100) PSI 8000 and below (552 Bar and below)**

TUV INSPECTOR S. Mastroiacomo
29.06.2022

TUV INSPECTOR S. Mastroiacomo
29.06.2022

CERTIFICATION DATE: **29/06/2022**

MANAGEMENT DE QUALITE INDUSTRIELLE

▲ FIRE SAFE (A richiesta - On request)

Certificazione della capacità di tenuta di una valvola in pressione, durante e dopo la prova di resistenza al fuoco in accordo con le norme API607/ISO 10497.

Certification of compliance of the sealing capability of a valve in pressure during and after the fire type-testing according to API607/ISO 10497 standards.



 <p>Segli la certezza Aggiungi valore.</p> <p>FUGITIVE EMISSION</p> <p>CERTIFICATE NUMBER: FE-063579-886</p> <p>CLIENT: OMAL Spa ADDRESS: Via Brognolo 12, 25050 Passirano</p> <p>REPORT NUMBER: Doc n.60</p> <p>SCOPE OF REPORT: Fugitive Emission test carried out according to ISO 15848-1</p> <p>max BAR: 425 Bar max °C: +100°C</p> <p>QUALIFIED VALVE: Size: 1/2" FB (Stem Ø 13 mm) Rating Class: PN420 / 6000psi Drawing N°: Y_0161 Type: 2 PIECES THREADED FLOATING BALL VALVE</p> <p>RANGE AND TYPE OF VALVES COVERED: ISO FE AH-C03-SSA 0-4(-20°C, Ambient Temp.) PN420 - ISO 15848-1 In accordance with ISO 15848-1, we also extend the certification to valve with same stem and body seals material, design (shape) and construction, with stem size 50% lower and 200% higher than stem tested Paragraph 8 e); Stem tested Ø13 mm ⇒ Ø17.5 mm ≤ Stem certified ≤ Ø26 mm Paragraph 8 f); Pressure ≤PN420</p> <p>TUV INSPECTOR Mastrogiacomo Simone CERTIFICATION DATE 06/02/2019</p>  <p>06 FEB 2019</p>	 <p>Segli la certezza Aggiungi valore.</p> <p>FUGITIVE EMISSION CERTIFICATE</p> <p>CERTIFICATE NUMBER: FE-063579-886</p> <p>CLIENT: OMAL Spa ADDRESS: Via Brognolo 12, 25050 Passirano (BS) - Italy</p> <p>REPORT NUMBER: Doc n.61</p> <p>SCOPE OF REPORT: Fugitive Emission test carried out according to: ISO 15848-1 Edition 2015</p> <p>max BAR: 430 Bar max °C: Ambient Temperature (+ 21°C)</p> <p>QUALIFIED VALVE: Size: 1/2" FB (Stem Ø 13 mm) Rating Class: PN420 / 6000psi Drawing N°: Y_0161 Type: 2 PIECES THREADED FLOATING BALL VALVE</p> <p>RANGE AND TYPE OF VALVES COVERED: ISO FE AH-C03-SSA 0-4(-50°C, Ambient Temp.) PN420 - ISO 15848-1 In accordance with ISO 15848-1, we also extend the certification to valve with same stem and body seals material, design (shape) and construction, with stem size 50% lower and 200% higher than stem tested Paragraph 8 e); Stem tested Ø13 mm ⇒ Ø17.5 mm ≤ Stem certified ≤ Ø26 mm Paragraph 8 f); Pressure ≤PN420</p> <p>MANAGEMENT OF INSPECTION</p>  <p>TUV INSPECTOR Mastrogiacomo Simone CERTIFICATION DATE 13/02/2019</p>  <p>13 FEB 2019</p>
--	---

FUGITIVE EMISSION

Certificazione di conformità ai requisiti di non emissione verso l'esterno di sostanze nocive, in accordo con la norma UNI EN ISO 15848-1, per applicazioni con fluidi volatili inquinanti e pericolosi.

Certification in compliance with UNI EN ISO 15848-1 requirements of non-emission of harmful substances to the outside, referring to volatile air pollutants and hazardous fluids applications.





1.5

SUPREME TRUNNION

SUPREME

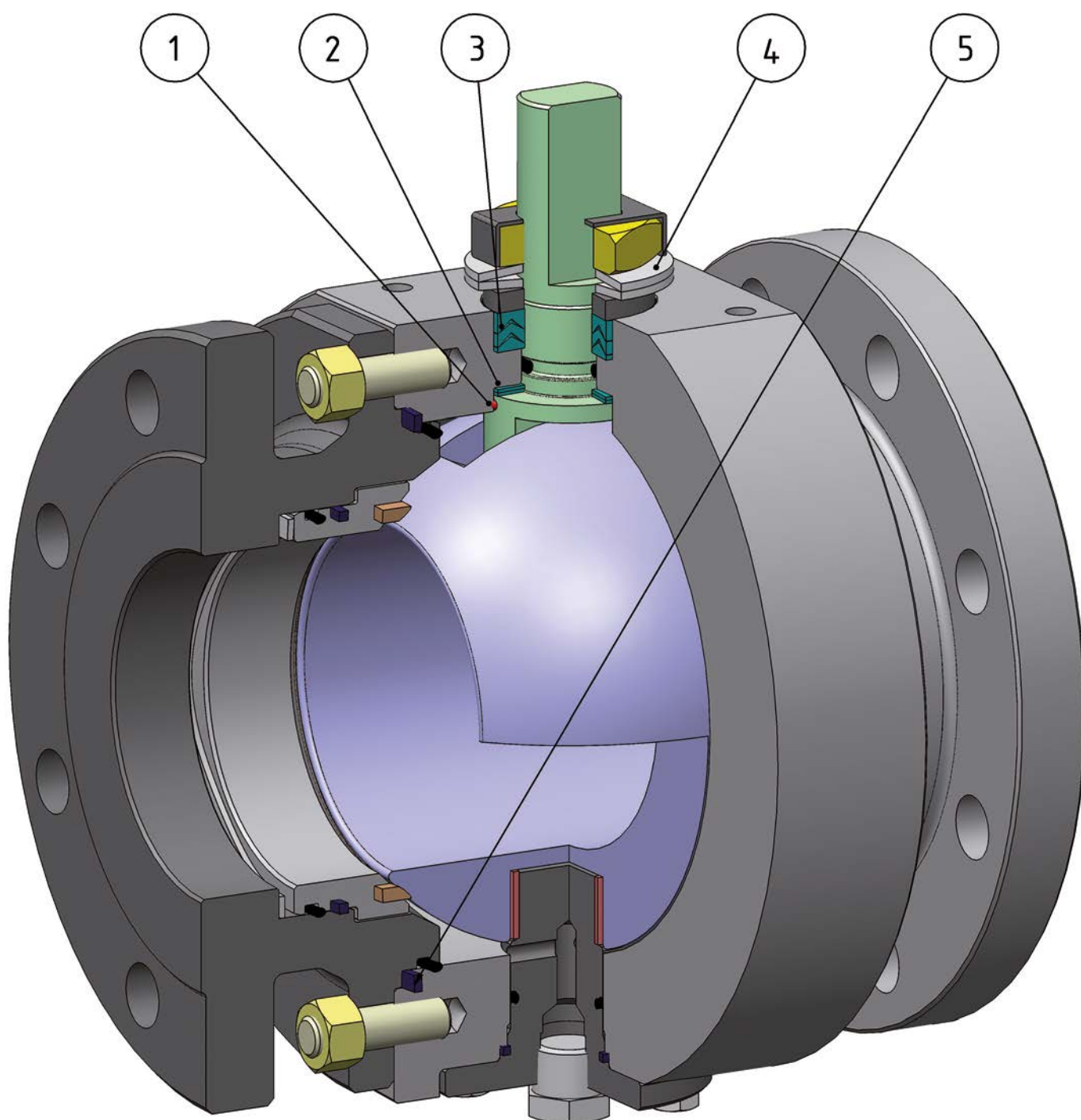


SUPREME

VALVOLA A SFERA TRUNNION

TRUNNION BALL VALVE

DN ≤ 100 SIZE ≤ 4" – ANSI 150-300



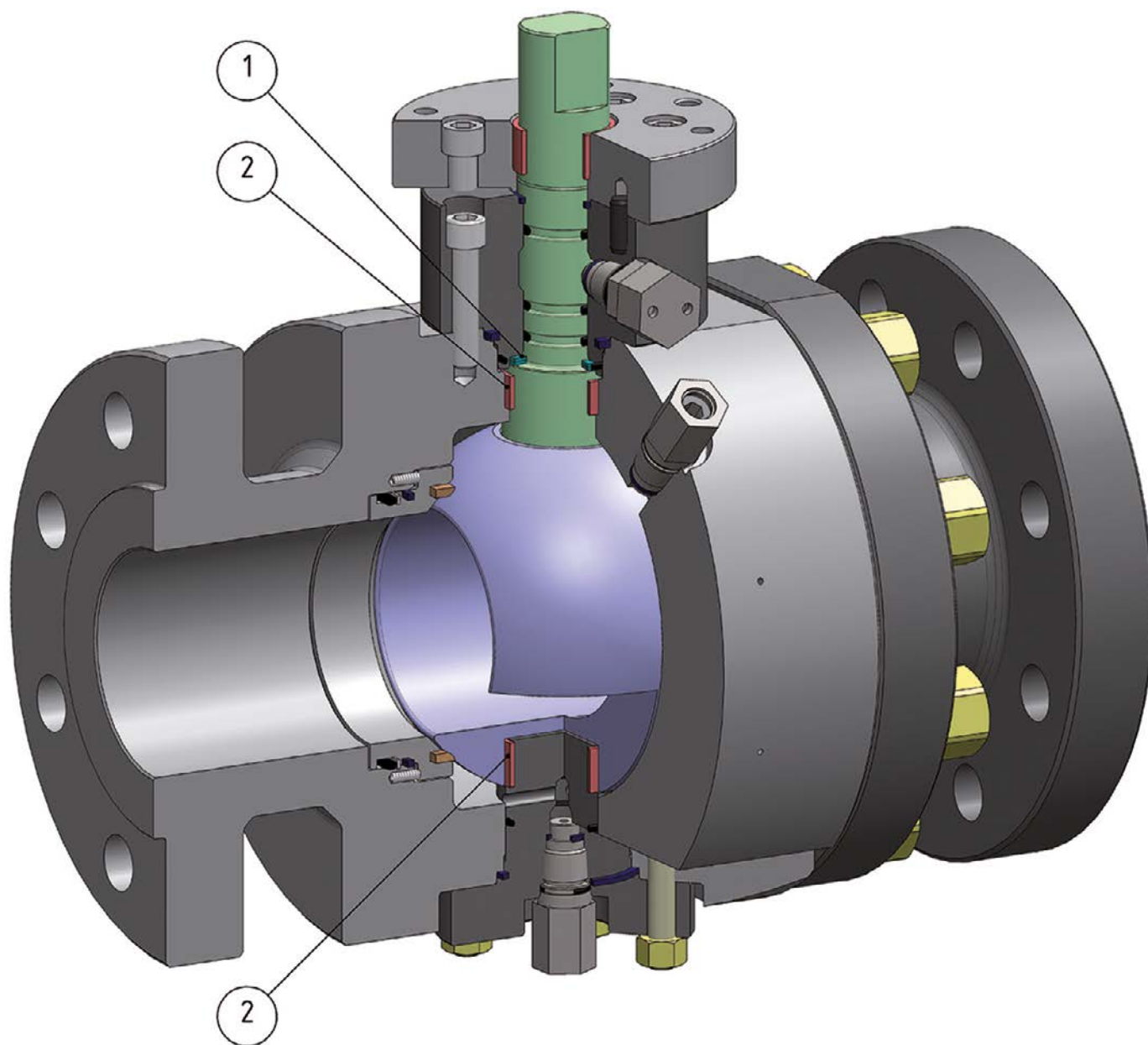


FEATURES & BENEFITS

1	<p>Antistatic device (continuità elettrica tra sfera, stelo e corpo)</p> <p><i>Antistatic device ((electrical continuity between ball, stem and body)</i></p>	<p>Si evitano cariche elettrostatiche che potrebbero essere causa d'innesco in ambienti infiammabili e/o esplosivi</p> <p><i>Static electricity is avoided which can cause sparks and fire in an inflammable/explosive environment</i></p> <p>Sicurezza garantita del contatto durante tutta la vita della valvola</p> <p><i>Contact safety throughout the entire life of the valve</i></p>
2	<p>Doppio anello antifrizione</p> <p><i>Double antifriction washer</i></p>	<p>Garantisce una minor coppia di azionamento della valvola</p> <p><i>Less Break Away Torque is granted</i></p> <p>Minor usura rispetto all'esecuzione con singolo anello</p> <p><i>Less wear comparing with the execution with the single washer</i></p>
3	<p>Pacco guarnizioni a "v" con 3 guarnizioni più o-ring</p> <p><i>"V" seals pack; 3 seals + o-ring</i></p>	<p>Si garantisce una perfetta tenuta anche dopo un numero elevato di cicli</p> <p><i>It ensures a perfect tightness even after a high number of cycles</i></p>
4	<p>Molle a tazza sulla tenuta dello stelo</p> <p><i>Spring washer on the shaft seal</i></p>	<p>Garantiscono il recupero dei giochi dovuti all'usura causata dal movimento semirotatorio dell'albero evitando perdite verso l'esterno</p> <p><i>Guarantee of the recovery of the gap due to the wear caused by the rotational movement of the shaft avoiding leakage towards the outside part.</i></p> <p>Consentono di mantenere energizzate le guarnizioni tipo "chevron" (a V), evitando perdite verso l'esterno, a fronte di notevoli escursioni termiche</p> <p><i>Allow to maintain energized the "chevron" seals (V), thus avoiding any leakage to the outside, against huge temperature excursions</i></p>
5	<p>Tenuta elasticizzata in grafite</p> <p><i>Stretch Graphite seal</i></p>	<p>Garantisce una tenuta verso l'esterno indipendentemente dalle escursioni termiche a cui è sottoposta la valvola</p> <p><i>Tightness towards outside is granted, independently by the thermal excursions to which the valve is subjected</i></p>
	<p>Maggiore precisione nell'allineamento degli assi grazie alla lavorazione dal grezzo al finito con un unico posizionamento</p> <p><i>Greater precision in the alignment of axes due to a unique positioning in the process machining from raw material to finished valve</i></p>	<p>Maggior vita della valvola stessa</p> <p><i>Longer lifetime of the valve</i></p> <p>Minor coppia di azionamento</p> <p><i>Less break away torque</i></p>
	<p>Corpo valvola in acciaio al carbonio realizzato con materiale normalizzato certificato NACE in esecuzione standard</p> <p><i>Valve body in carbon steel made with NACE certified material as standard</i></p>	<p>Garantisce una maggior resistenza alla corrosione</p> <p><i>Greater corrosion resistance</i></p> <p>Maggior duttilità del materiale</p> <p><i>Greater ductility of the material</i></p>
	<p>Processo produttivo interamente eseguito in OMAL</p> <p><i>100% in- house manufacturing process technology</i></p>	<p>Massimo controllo in tutte le fasi di lavorazione</p> <p><i>Maximum control and accuracy in all the stages of the manufacturing process</i></p> <p>Possibilità di fornire rapidamente esecuzioni speciali richieste dal cliente</p> <p><i>Flexibility in supply quickly special executions requested by customers</i></p>
	<p>Certificato "Fire Safe"</p> <p><i>"Fire safe" Certificate</i></p>	<p>Garantisce la tenuta della valvola anche in caso di incendio</p> <p><i>Guarantees the tightness of the valve also in case of fire</i></p>
	<p>Certificato ATEX</p> <p><i>ATEX Certificate</i></p>	<p>Ne consente l'installazione in presenza di ambiente potenzialmente esplosivo</p> <p><i>Installation is possible in a potential explosive environment</i></p>
	<p>Certificazione "TA LUFT fugitive emission"</p> <p><i>TA LUFT fugitive emission Certificate</i></p>	<p>Garantisce un elevato grado di sicurezza della tenuta stelo verso l'esterno</p> <p><i>High level of safety of the tightness towards the outside is granted</i></p>
	<p>Certificato PED</p> <p><i>PED Certificate</i></p>	<p>Piena conformità alle norme di sicurezza europee per i dispositivi in pressione</p> <p><i>Full compliance with European Safety Standards for Pressure Equipment</i></p>
	<p>Certificato fino a SIL 3</p> <p><i>UP to SIL 3 certified</i></p>	<p>Elevato livello di sicurezza funzionale</p> <p><i>Guarantee of the high level of functional safety</i></p>



DN ≤ 100 SIZE ≤ 4" – ANSI ≥ 600



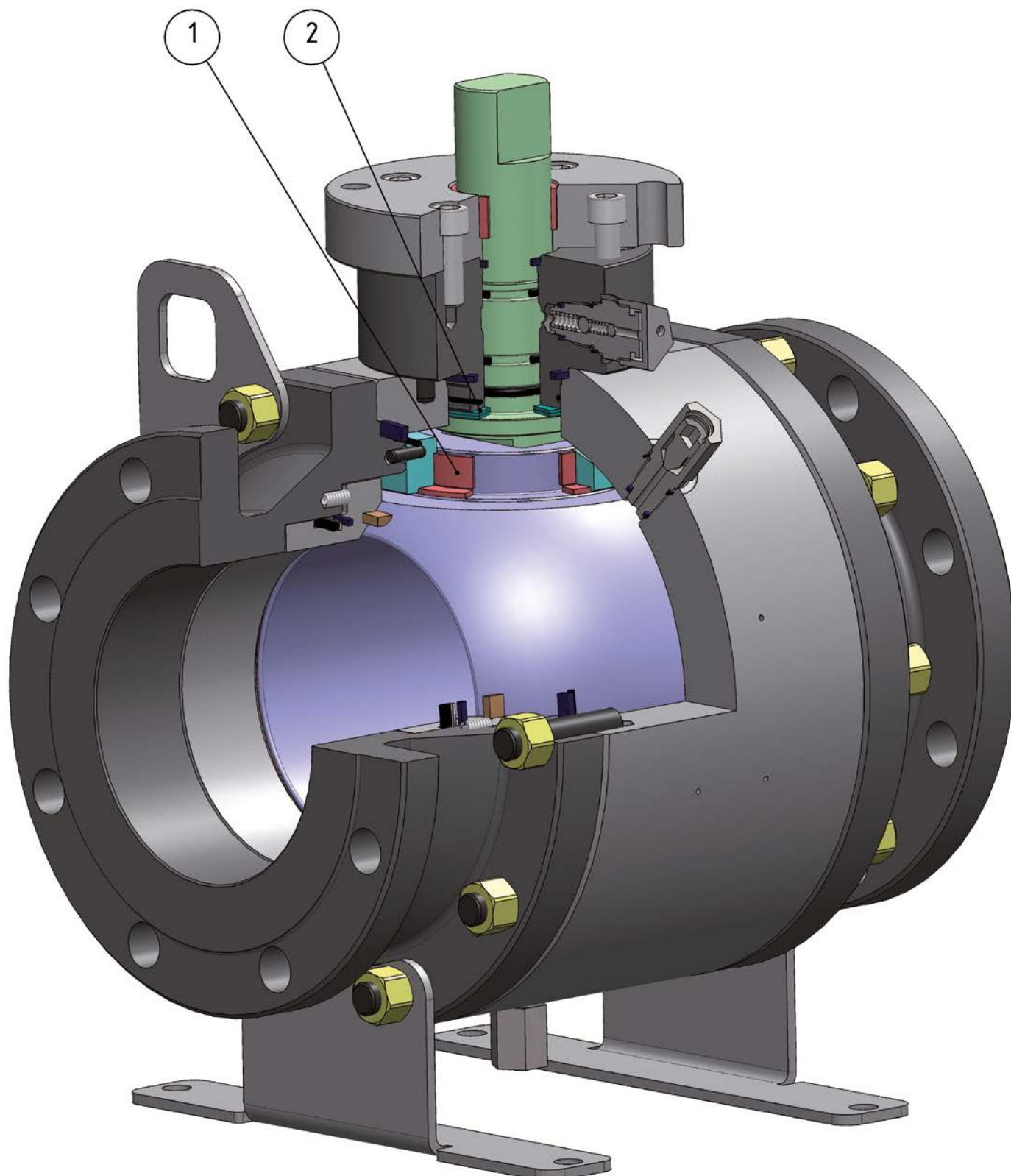


FEATURES & BENEFITS

1	Doppio anello antifrizione <i>Double antifriction washer</i>	Garantisce una minor coppia di azionamento della valvola <i>Less Break Away Torque is granted</i>
		Minor usura rispetto all'esecuzione con singolo anello <i>Less wear comparing with the execution with the single washer</i>
2	Doppie boccole di guida sfera <i>Two ball guiding bushings</i>	Diminuiscono la coppia torcente della valvola <i>Less valve torque</i>
	Antistatic device (continuità elettrica tra sfera, stelo e corpo) <i>Antistatic device ((electrical continuity between ball, stem and body)</i>	Si evitano cariche elettrostatiche che potrebbero essere causa d'innescio in ambienti infiammabili e/o esplosivi <i>Static electricity is avoided which can cause sparks and fire in an inflammable/explosive environment</i>
		Sicurezza garantita del contatto durante tutta la vita della valvola <i>Contact safety throughout the entire life of the valve</i>
	Tenuta elasticizzata in grafite <i>Stretch Graphite seal</i>	Garantisce una tenuta verso l'esterno indipendentemente dalle escursioni termiche a cui è sottoposta la valvola <i>Tightness towards outside is granted, independently by the thermal excursions to which the valve is subjected</i>
	Corpo valvola in acciaio al carbonio realizzato con materiale normalizzato certificato NACE in esecuzione standard <i>Valve body in carbon steel made with NACE certified material as standard</i>	Garantisce una maggior resistenza alla corrosione <i>Greater corrosion resistance</i>
		Maggior duttilità del materiale <i>Greater ductility of the material</i>
	Certificato "Fire Safe" <i>"Fire safe" Certificate</i>	Garantisce la tenuta della valvola anche in caso di incendio <i>Guarantees the tightness of the valve also in case of fire</i>
	Certificato ATEX <i>ATEX Certificate</i>	Ne consente l'installazione in presenza di ambiente potenzialmente esplosivo <i>Installation is possible in a potential explosive environment</i>
	Certificato PED <i>PED Certificate</i>	Piena conformità alle norme di sicurezza europee per i dispositivi in pressione <i>Full compliance with European Safety Standards for Pressure Equipment</i>
	Certificato fino a SIL 3 <i>UP to SIL 3 certified</i>	Elevato livello di sicurezza funzionale <i>Guarantee of the high level of functional safety</i>



DN ≥ 150 SIZE ≥ 6"





FEATURES & BENEFITS

1	Doppio anello antifrizione <i>Double antifriction washer</i>	Garantisce una minor coppia di azionamento della valvola <i>Less Break Away Torque is granted</i>
		Minor usura rispetto all'esecuzione con singolo anello <i>Less wear comparing with the execution with the single washer</i>
2	Doppie boccole di guida sfera <i>Two ball guiding bushings</i>	Diminuiscono la coppia torcente della valvola <i>Less valve torque</i>
	Antistatic device (continuità elettrica tra sfera, stelo e corpo) <i>Antistatic device ((electrical continuity between ball, stem and body)</i>	Si evitano cariche elettrostatiche che potrebbero essere causa d'innescio in ambienti infiammabili e/o esplosivi <i>Static electricity is avoided which can cause sparks and fire in an inflammable/explosive environment</i>
		Sicurezza garantita del contatto durante tutta la vita della valvola <i>Contact safety throughout the entire life of the valve</i>
	Tenuta elasticizzata in grafite <i>Stretch Graphite seal</i>	Garantisce una tenuta verso l'esterno indipendentemente dalle escursioni termiche a cui è sottoposta la valvola <i>Tightness towards outside is granted, independently by the thermal excursions to which the valve is subjected</i>
	Corpo valvola in acciaio al carbonio realizzato con materiale normalizzato certificato NACE in esecuzione standard <i>Valve body in carbon steel made with NACE certified material as standard</i>	Garantisce una maggior resistenza alla corrosione <i>Greater corrosion resistance</i>
		Maggior duttilità del materiale <i>Greater ductility of the material</i>
	Certificato "Fire Safe" <i>"Fire safe" Certificate</i>	Garantisce la tenuta della valvola anche in caso di incendio <i>Guarantees the tightness of the valve also in case of fire</i>
	Certificato ATEX <i>ATEX Certificate</i>	Ne consente l'installazione in presenza di ambiente potenzialmente esplosivo <i>Installation is possible in a potential explosive environment</i>
	Certificato PED <i>PED Certificate</i>	Piena conformità alle norme di sicurezza europee per i dispositivi in pressione <i>Full compliance with European Safety Standards for Pressure Equipment</i>
	Certificato fino a SIL 3 <i>UP to SIL 3 certified</i>	Elevato livello di sicurezza funzionale <i>Guarantee of the high level of functional safety</i>
	Certificazione FUGITIVE EMISSION <i>FUGITIVE EMISSION Certificate</i>	Garantisce un elevato grado di sicurezza della tenuta stelo verso l'esterno <i>High level of safety of the tightness towards the outside is granted</i>



SUPREME - TRUNNION



ESECUZIONE STANDARD

- Corpo in due o tre pezzi.
- Seggi di tenuta resilienti.
- Scarico automatico della sovrappressione nel corpo.
- Double Block & Bleed.
- Classi di pressione: ANSI 150÷ANSI 2500.
- Applicazioni: impianti chimici e petrolchimici, centrali elettriche ed altre applicazioni nell'industria di processo per liquidi, gas, vapore ed idrocarburi.
- Stelo anti espulsione.

ESECUZIONI SPECIALI A RICHIESTA

- Doppio effetto pistone.
- Materiali ed esecuzioni speciali in accordo alle specifiche del cliente.
- Marcatura e certificato ATEX A RICHIESTA.

CERTIFICAZIONI

- Conforme alla Direttiva Europea 2014/68/UE PED.
- Conforme alla Direttiva Europea 2014/34/UE ATEX. (certificato ATEX A RICHIESTA).
- Livello di sicurezza funzionale fino a SIL 3 in accordo a IEC 61508.
- FIRE SAFE EN ISO 10497- API607.
- Fugitive Emission UNI EN ISO 15848.

STANDARD DI PROGETTO

- ASME B16.34.
- Estremità: ASME B16.5 (RF-RTJ), ASME B16.25 (BW).
- Scartamento: ASME B16.10.
- Flangia per il montaggio azionamento: ISO5211.
- Design API 6D a richiesta.

STANDARD EXECUTION

- *Two or three pieces body.*
- *Resilient seat.*
- *Automatic body cavity relief.*
- *Double Block & Bleed.*
- *Pressure class: ANSI 150÷ANSI 2500.*
- *Applications: chemical and petrochemical plants, oil & gas production, power plants, other process industry applications, liquid, gas and steam, hydrocarbons.*
- *Anti blow out stem.*

SPECIAL FEATURES ON REQUEST

- *Double piston effect.*
- *Material and special execution according to Customer Specifications.*
- *ATEX marking and certificate ON REQUEST.*

CERTIFICATIONS

- *In compliance with European Directive 2014/68/EU PED.*
- *In compliance with European Directive 2014/34/EU ATEX (ATEX certificate ON REQUEST).*
- *Safety integrity level up to SIL 3 according to IEC 61508.*
- *FIRE SAFE EN ISO 10497- API607.*
- *Fugitive Emission UNI EN ISO 15848.*

STANDARD DESIGN

- *ASME B16.34.*
- *End connections: ASME B16.5 (RF-RTJ), ASME B16.25 (BW).*
- *Face to face: ASME B16.10.*
- *Drives mounting flange: ISO5211.*
- *Design API 6D on request.*

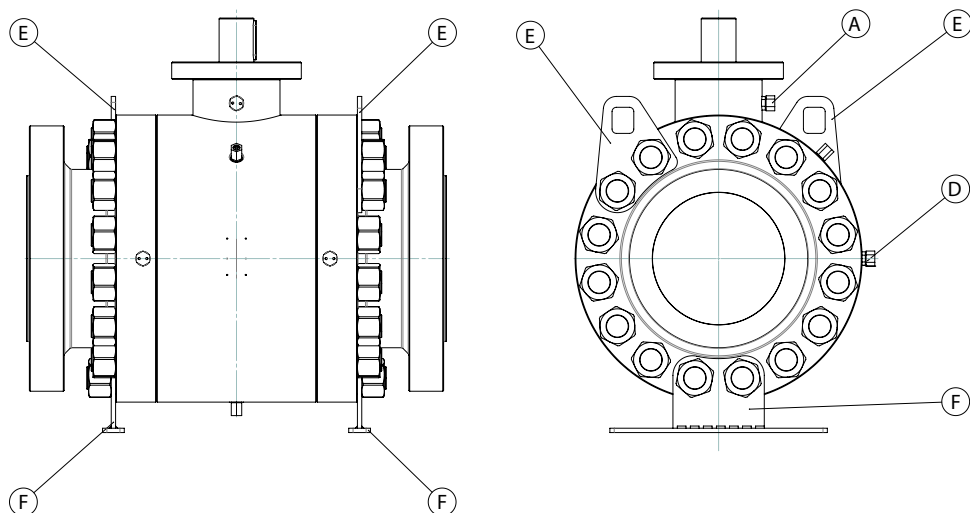


TAGLIE E ACCESSORI SIZE AND ACCESSORIES

DN	50	80 x 65	80	100 x 80	100	150 x 100	150	200 x 150	200	250 x 200	250	300 x 250	300	350 x 250	350	400 x 300	400	450 x 350	450	500 x 400	500	600 x 500	600	
SIZE	2"	3" x 2 1/2"	3"	4" x 3"	4"	6" x 4"	6"	8" x 6"	8"	10" x 8"	10"	12" x 10"	12"	14" x 10"	14"	16" x 12"	16"	18" x 14"	18"	20" x 16"	20"	24" x 20"	24"	
ANSI 150	A																							
	B	•	•	•	•	•																		
	C																							
	D																							
	E																							
	F																							
ANSI 300	A																							
	B	•	•	•	•	•																		
	C																							
	D																							
	E																							
	F																							
ANSI 600	A	•	•	•	•	•	•	•	•	•	•	•	•	•	•	•	•	•	•	•	•	•	•	•
	B	•	•	•	•	•	•	•	•	•	•	•	•	•	•	•	•	•	•	•	•	•	•	•
	C	•	•	•	•	•	•	•	•	•	•	•	•	•	•	•	•	•	•	•	•	•	•	•
	D																							
	E																							
	F																							
ANSI 900	A	•	•	•	•	•	•	•	•	•	•	•	•	•	•	•	•	•	•	•	•	•	•	•
	B	•	•	•	•	•	•	•	•	•	•	•	•	•	•	•	•	•	•	•	•	•	•	•
	C	•	•	•	•	•	•	•	•	•	•	•	•	•	•	•	•	•	•	•	•	•	•	•
	D																							
	E																							
	F																							
ANSI 1500	A	•	•	•	•	•	•	•	•	•	•	•	•	•	•	•	•	•	•	•	•	•	•	•
	B	•	•	•	•	•	•	•	•	•	•	•	•	•	•	•	•	•	•	•	•	•	•	•
	C	•	•	•	•	•	•	•	•	•	•	•	•	•	•	•	•	•	•	•	•	•	•	•
	D																							
	E																							
	F																							
ANSI 2500	A	•	•	•	•	•	•	•	•	•	•	•	•	•	•	•	•	•	•	•	•	•	•	•
	B	•	•	•	•	•	•	•	•	•	•	•	•	•	•	•	•	•	•	•	•	•	•	•
	C	•	•	•	•	•	•	•	•	•	•	•	•	•	•	•	•	•	•	•	•	•	•	•
	D																							
	E																							
	F																							

SUPREME

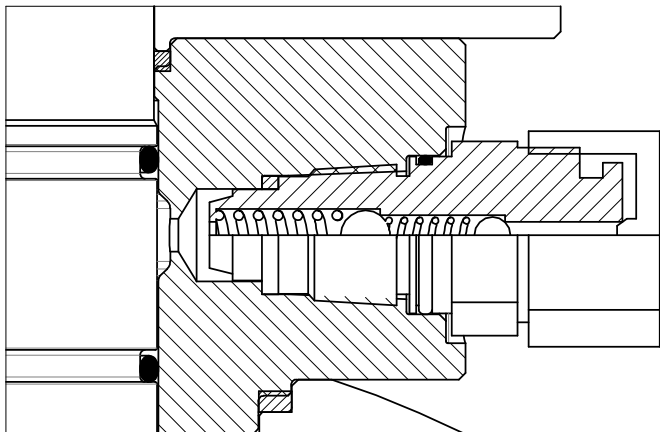
- A) Ingrassatore stelo *Shaft Sealing Injection*
- B) Tappo corpo/coperchio inferiore *Vent and Drain Plug*
- C) Valvola di drenaggio corpo/coperchio inferiore *Vent and Drain valves*
- D) Ingrassatore seggi *Seats Sealing Injection*
- E) Asole sollevamento *Lifting lug*
- F) Piedi di supporto *Supporting feet*



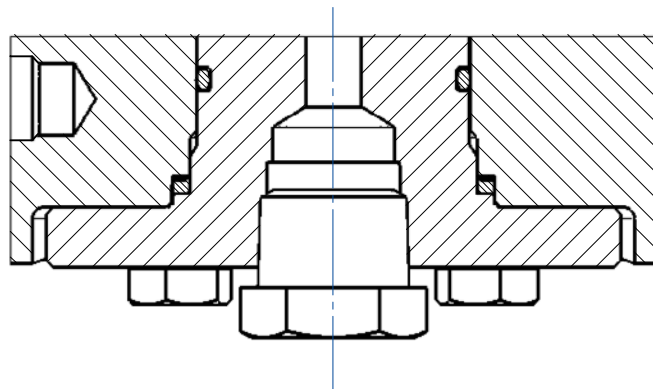


ACCESSORI ACCESSORIES

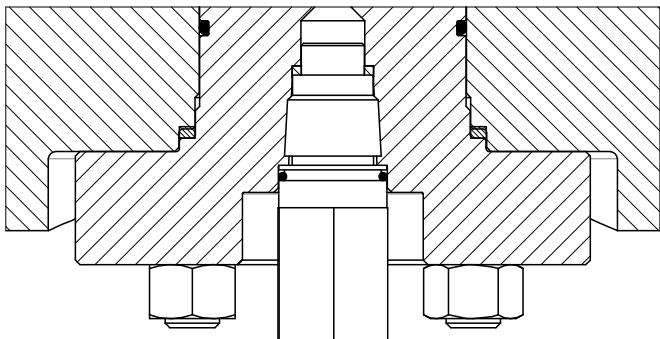
A Ingrassatore Stelo
Shaft Stem Injection / Sealant system



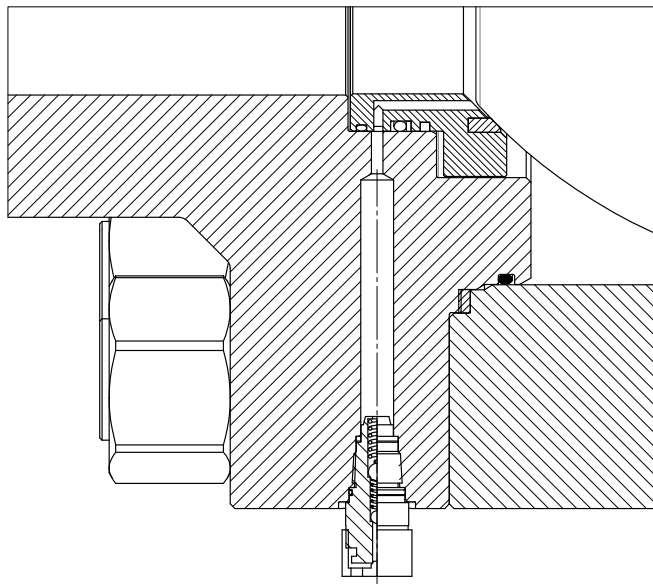
B Tappo corpo / Coperchio inferiore
Vent and Drain Plug



C Valvola di drenaggio corpo / coperchio inferiore
Vent and Drain valves



D Ingrassatore Seggio
Seat Stem Injection / Sealant system





COMPONENTI COMPONENTS

DN≤100 SIZE ≤4" – ANSI 150-300

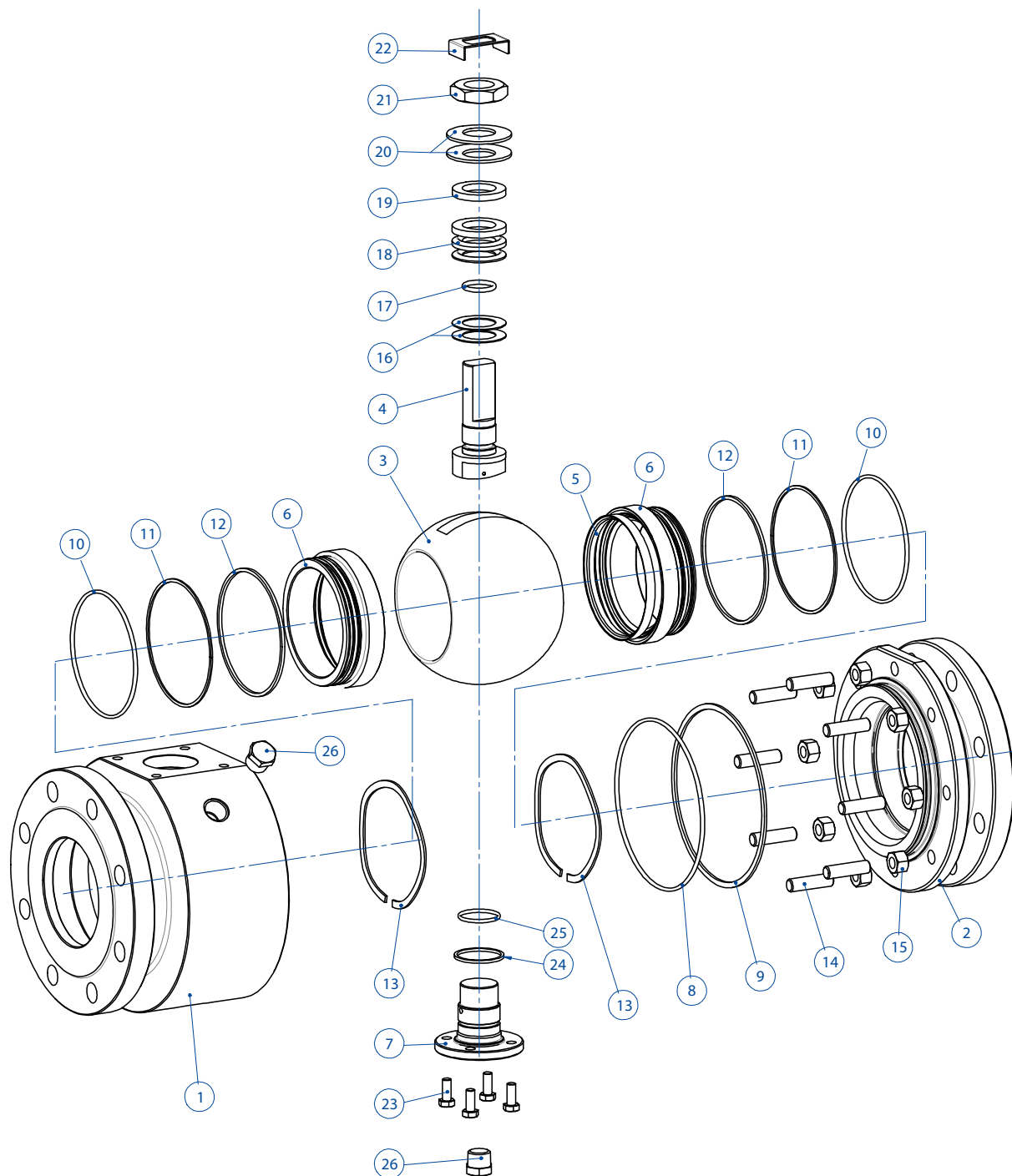


TABELLA DEI COMPONENTI COMPONENTS TABLE

1	Corpo <i>Body</i>	10	O-ring porta seggio <i>Seat O-ring</i>	19	Anello premi guarnizioni <i>Gland nut ring</i>
2	Terminale <i>Closure</i>	11	Anello antiestrusione <i>Back-up ring</i>	20	Molle a tazza <i>Spring washer</i>
3	Sfera <i>Ball</i>	12	Guarnizione seggio <i>Seat gasket</i>	21	Dado stelo <i>Stem nut</i>
4	Stelo <i>Stem</i>	13	Molle precarico seggio <i>Springs</i>	22	Ferma dado <i>Stem nut locker</i>
5	Seggio <i>Seat insert</i>	14	Tiranti <i>Stud bolt</i>	23	Viti coperchio inferiore <i>Lower cover screws</i>
6	Porta seggio <i>Seat holder</i>	15	Dadi <i>Nut</i>	24	Guarnizione coperchio inferiore <i>Lower cover gasket</i>
7	Coperchio inferiore <i>Lower cover</i>	16	Anelli antifrizione <i>Bottom sealing</i>	25	O-ring cop inferiore <i>Lower cover O-ring</i>
8	O-ring corpo <i>Body O-ring</i>	17	O-ring stelo <i>Stem O-ring</i>	26	Tappo <i>Drain cap</i>
9	Guarnizione corpo <i>Body gasket</i>	18	Pacco guarnizioni v <i>Chevron pack</i>		



DN≤100 SIZE ≤4" – ANSI ≥600

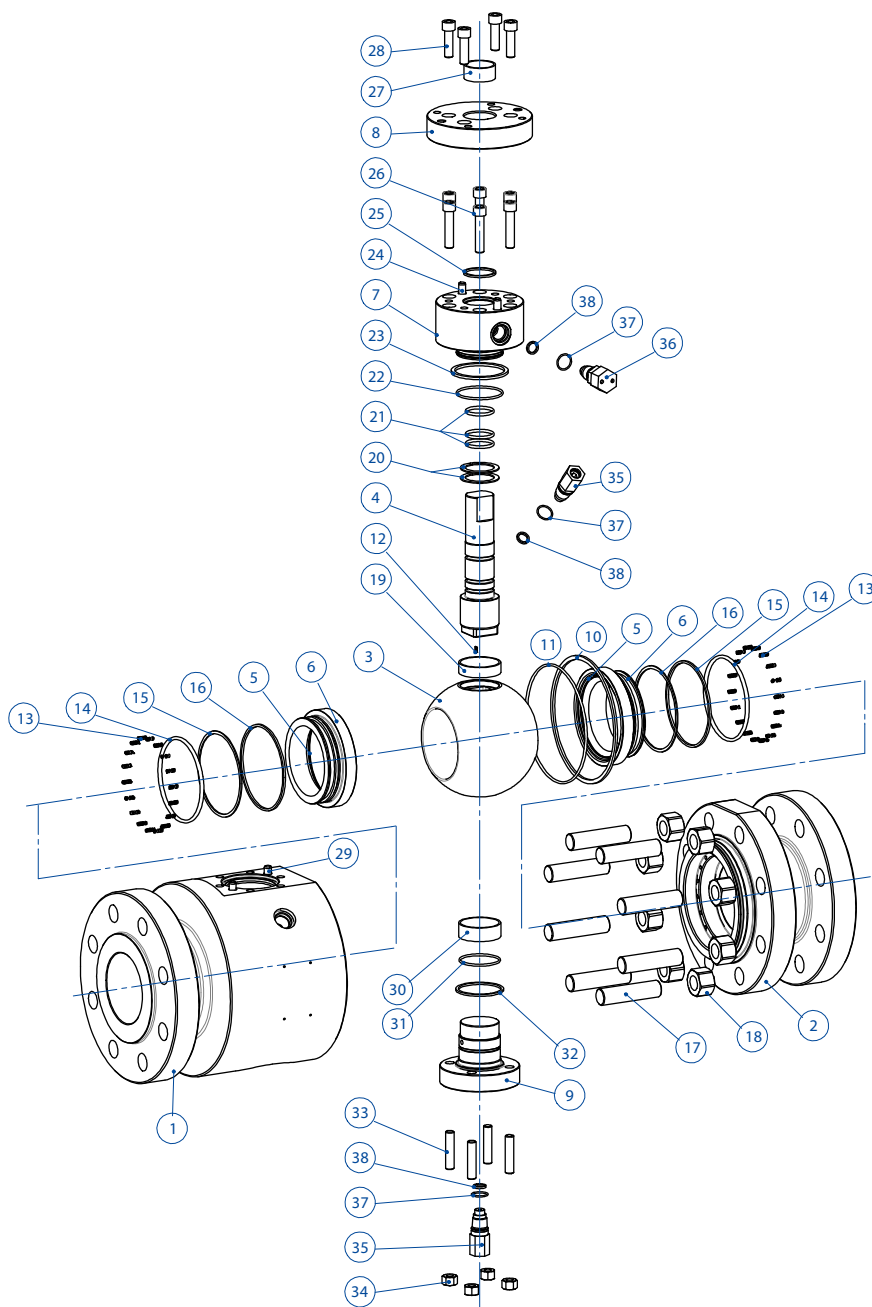


TABELLA COMPONENTI COMPONENTS TABLE

1	Corpo Body	14	Anello antiestrusione Back-up ring	27	Boccola stelo Stem bush
2	Terminale Closure	15	O-ring seggio Seat O-ring	28	Viti flangia Flange screw
3	Sfera Ball	16	Guarnizione seggio Seat gasket	29	Spine centraggio Body pin
4	Stelo Stem	17	Tiranti Stud bolt	30	Boccola sfera Ball bush
5	Seggio Seat insert	18	Dadi Nut	31	O-ring coperchio inferiore Lower cover O-ring
6	Porta seggio Seat holder	19	Boccola sfera Ball bush	32	Guarnizione coperchio inferiore Lower cover gasket
7	Coperchio superiore Upper cover	20	Anello antifrizione Bottom sealing	33	Tiranti/viti coperchio inferiore Lower cover stud
8	Flangia Flange	21	O-ring stelo Stem O-ring	34	Dadi Nut
9	Coperchio inferiore Lower cover	22	O-ring coperchio superiore Upper cover O-ring	35	Valvola drenaggio Vent valve
10	Guarnizione corpo Body gasket	23	Guarnizione coperchio superiore Upper cover Gasket	36	Ingrassatore stelo Stem grease injector
11	O-ring corpo Body O-ring	24	Spina centraggio Upper cover pin	37	O-ring ingrassatore/valvola drenaggio Vent/Greaser O-ring
12	Molla dispositivo antistatico Antistatic device Spring	25	Guarnizione fire safe/dispositivo antistatico Fire safe stem Gasket/antistatic device	38	Guarnizione ingrassatore/valvola drenaggio Vent/Greaser Gasket
13	Molle precarico seggio Springs	26	Viti coperchio superiore Upper cover screw		



DN ≥150 SIZE ≥6"

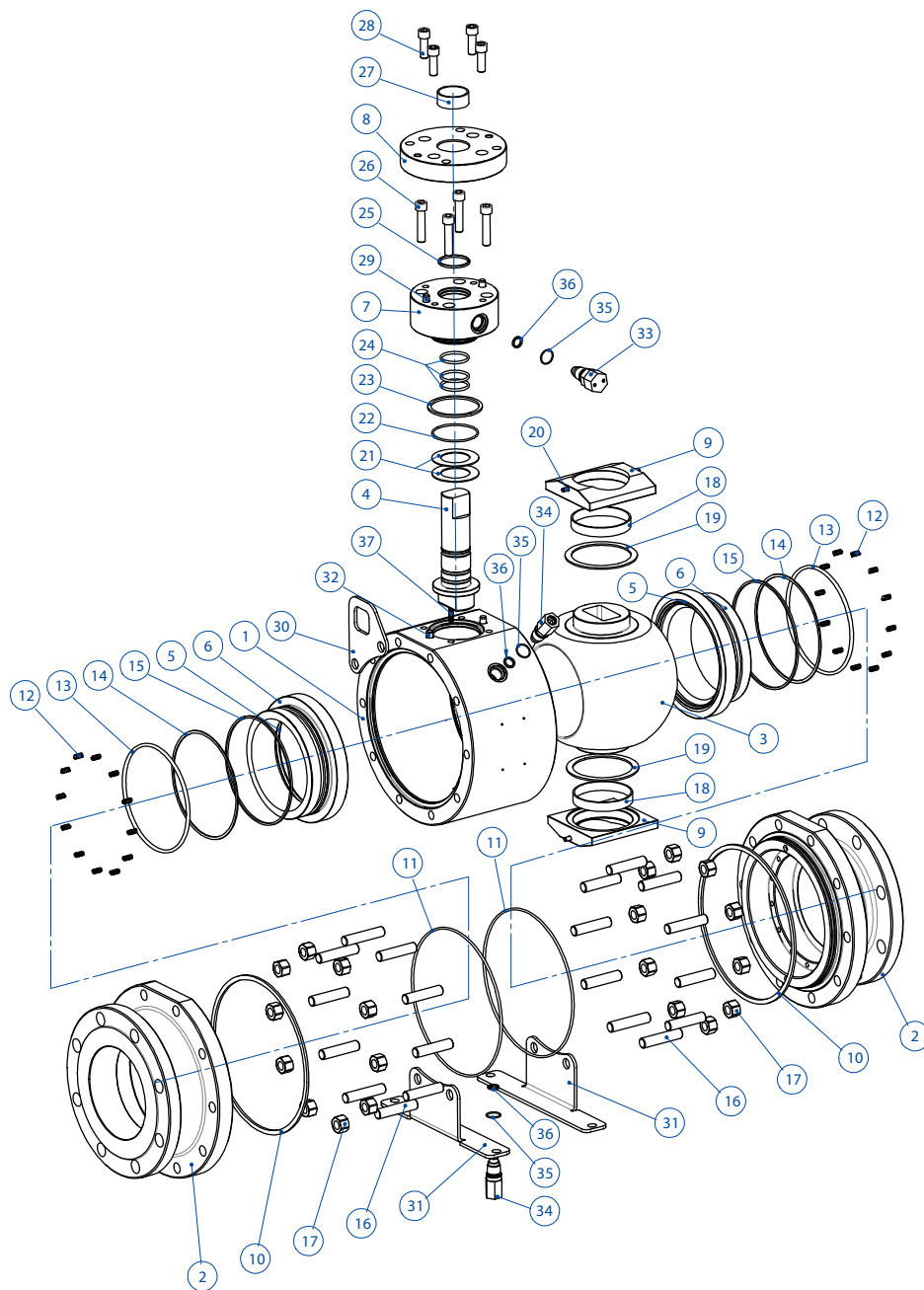


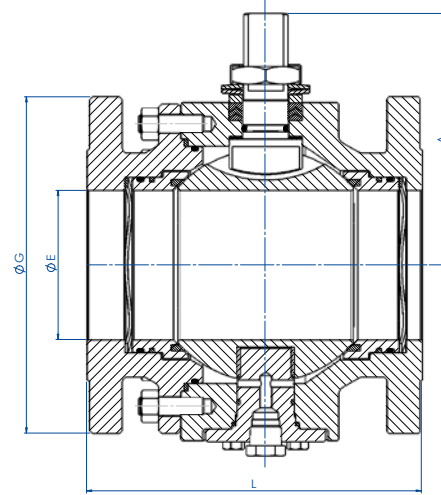
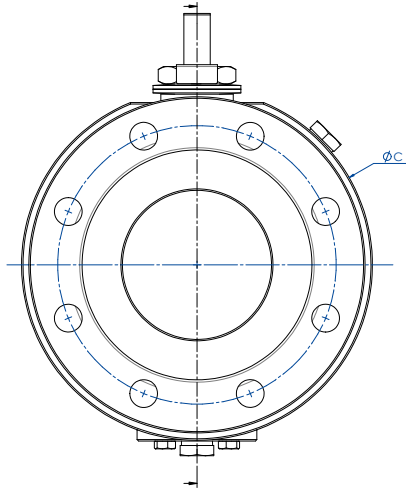
TABELLA DEI COMPONENTI COMPONENTS TABLE

1	Corpo <i>Body</i>	14	Anello antiestrusione <i>Back-up ring</i>	27	Boccola stelo <i>Stem bush</i>
2	Terminale <i>Closure</i>	15	Guarnizione porta seggio <i>Seat gasket</i>	28	Viti flangia <i>Flange screw</i>
3	Sfera <i>Ball</i>	16	Tiranti <i>Stud bolt</i>	29	Spine centraggio <i>Upper cover pin</i>
4	Stelo <i>Stem</i>	17	Dadi <i>Nut</i>	30	Asole sollevamento <i>Lifting Lug</i>
5	Seggio <i>Seat insert</i>	18	Boccola sfera <i>Ball bush</i>	31	Piedi di supporto <i>Support feet</i>
6	Porta seggio <i>Seat holder</i>	19	Ralla sfera <i>Thrust bearing</i>	32	Spine centraggio <i>Body pin</i>
7	Coperchio superiore <i>Upper cover</i>	20	Spine centraggio <i>Support plate pin</i>	33	Ingrassatore stelo <i>Stem grease injector</i>
8	Flangia <i>Flange</i>	21	Anelli antifrizione <i>Bottom sealing</i>	34	Valvola di drenaggio <i>Vent valve</i>
9	Piastre supporto <i>Support plate</i>	22	O-ring coperchio superiore <i>Upper cover O-ring</i>	35	O-ring valvola drenaggio/ingrassatore <i>Vent/Greaser O-ring</i>
10	Guarnizione corpo <i>Body gasket</i>	23	Guarnizione coperchio superiore <i>Upper cover Gasket</i>	36	Guarnizione valvola drenaggio/ingrassatore <i>Vent/Greaser Gasket</i>
11	O-ring corpo <i>Body O-ring</i>	24	O-ring stelo <i>Stem O-ring</i>	37	Dispositivo antistatico <i>Antistatic device spring</i>
12	Molle precarico seggio <i>Springs</i>		Guarnizione fire safe/dispositivo antistatico <i>Fire safe stem Gasket/antistatic device</i>		
13	O-ring porta seggio <i>Seat O-ring</i>	26	Viti coperchio superiore <i>Upper cover screw</i>		

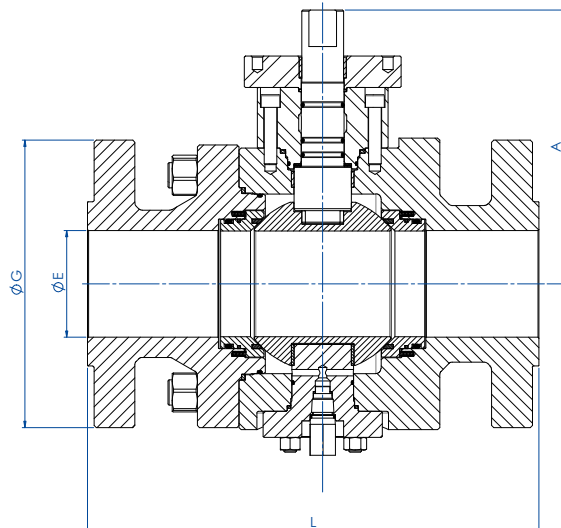
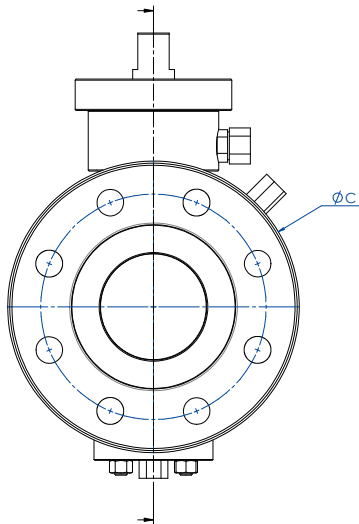


DIMENSIONI VALVOLE PASSAGGIO TOTALE FULL BORE VALVES - DIMENSIONS

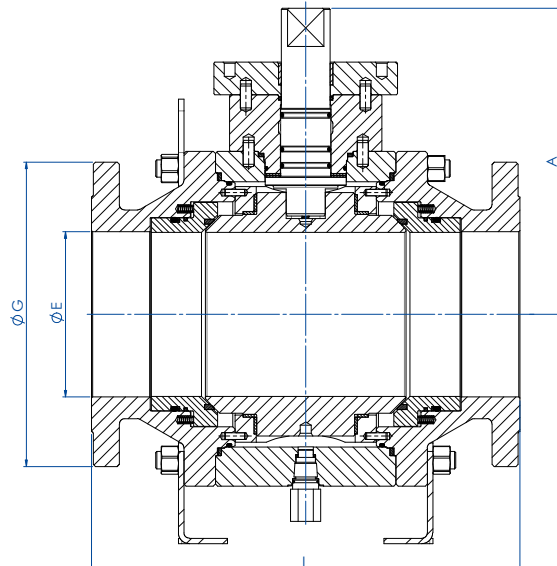
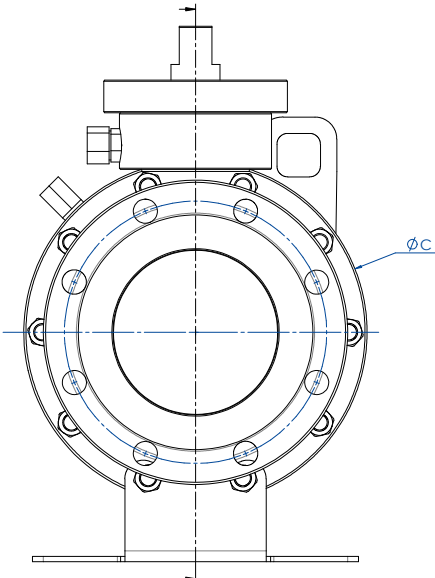
DN ≤ 100 SIZE ≤ 4"
ANSI 150-300



DN ≤ 100 SIZE ≤ 4"
ANSI ≥ 600



DN ≥ 150 SIZE ≥ 6"





ANSI 150	DN	SIZE	L	ØE	ØG	A	ØC
	50	2"	178	51	152	67*	146*
	80	3"	203	76	190	90	190
	100	4"	229	102	230	111	240
	150	6"	394	152	280	232	316
	200	8"	457	203	345	286	400
	250	10"	533	254	408	324	475
	300	12"	610	305	484	355*	580*
	350	14"	686	337	536	402*	626*
	400	16"	762	386	397	441*	700*
	450	18"	864	438	636	484*	779*
	500	20"	914	489 *	694	560*	900*
600	24"	1067	591 *	814	620*	1020*	

ANSI 300	DN	Size	L	ØE	ØG	A	ØC
	50	2"	216	51	165	67*	156*
	80	3"	282	76	210	90	200
	100	4"	305	102	255	111	240
	150	6"	403	152	320	236	324
	200	8"	502	203	382	286	408
	250	10"	568	254	446	324	475
	300	12"	648	305	522	355*	580*
	350	14"	762	337	585	402*	626*
	400	16"	838	386	649	504*	770*
	450	18"	914	438	712	484*	779*
	500	20"	991	489 *	776	560*	900*
600	24"	1143	591 *	915	620*	1020*	

ANSI 600	DN	Size	L	ØE	ØG	A	ØC
	50	2"	292	51	165	160*	189*
	80	3"	356	76	210	191	210
	100	4"	432	102	275	218	279
	150	6"	559	152	355	263	355
	200	8"	660	203	420	304	430
	250	10"	787	254	510	352	520
	300	12"	838	305	561	402*	620*
	350	14"	889	337	604	416*	655*
	400	16"	991	386	687	450*	730*
	450	18"	1092	438	744	515*	810*
	500	20"	1194	489 *	814	588*	955*
600	24"	1397	591*	941	645*	1070*	

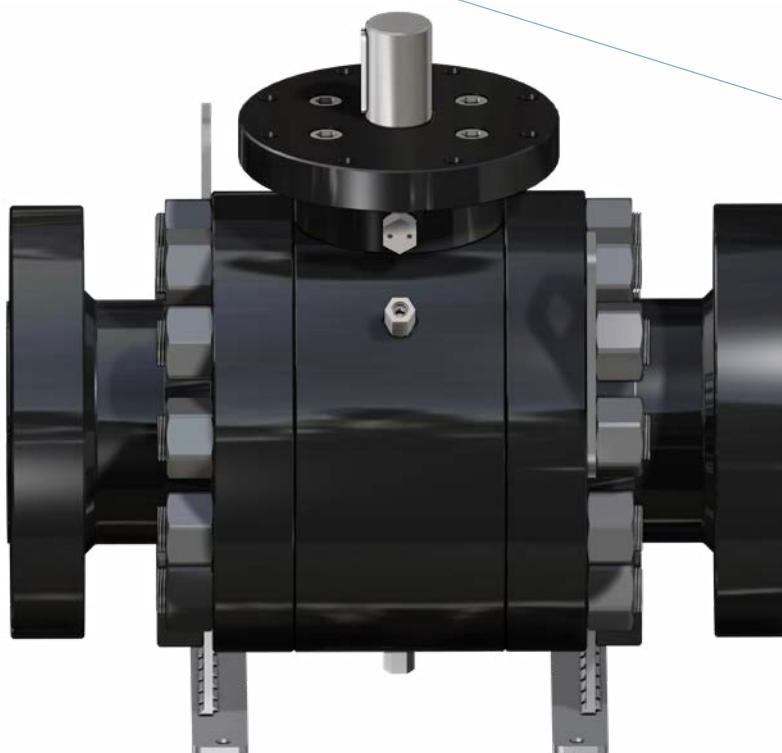
ANSI 900	DN	Size	L	ØE	ØG	A	ØC
	50	2"	368	51	215	120*	189*
	80	3"	381	76	242	204	240
	100	4"	457	102	293	218	279
	150	6"	610	152	382	263	355
	200	8"	737	203	471	304	430
	250	10"	838	254	547	352	520
	300	12"	965	305	612	452	660
	350	14"	1029	322	640	460*	700*
	400	16"	1130	373	706	485*	760*

ANSI 1500	DN	Size	L	ØE	ØG	A	ØC
	50	2"	368	51	215	140*	189*
	80	3"	470	76	268	225	270
	100	4"	546	102	312	240*	300*
	150	6"	705	146	395	285*	390*
	200	8"	832	192	485	340*	460*
250	10"	991	239	585	390*	555*	

ANSI 2500	DN	Size	L	ØE	ØG	A	ØC
	50	2"	451	42	235	160	219
	80	3"	508	63	305	241	318
	100	4"	673	87	357	253	335
150	6"	914	131	485	340	500	



AZIONAMENTI DISPONIBILI AVAILABLE DRIVERS



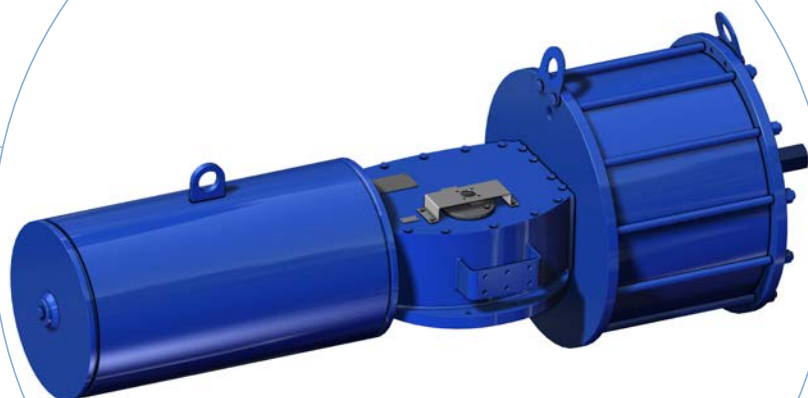
Le immagini sono indicative e non sono vincolanti ai fini della fornitura *The images are only representative and they are not binding for supply purpose*



ATTUATORE PNEUMATICO
PNEUMATIC ACTUATOR



ATTUATORE PNEUMATICO CON
COMANDO MANUALE INTEGRATO
PNEUMATIC ACTUATOR WITH
INTEGRATED HANDWHEEL



ATTUATORE PNEUMATICO HEAVY DUTY
HEAVY DUTY PNEUMATIC ACTUATOR





American Petroleum Institute



2018-151 | Digital

Certificate of Authority to use the Official API Monogram
License Number: 6D-1007 **ORIGINAL**

The American Petroleum Institute hereby grants to

OMAL SPA
Via Ponte Nuovo, 11
Rodengo Saiano, Brescia
Italy

the right to use the Official API Monogram® on manufactured products under the conditions in the official publications of the American Petroleum Institute entitled API Spec Q1® and **API-6D** and in accordance with the provisions of the License Agreement.

In all cases where the Official API Monogram is applied, the API Monogram shall be used in conjunction with this certificate number: **6D-1007**

The American Petroleum Institute reserves the right to revoke this authorization to use the Official API Monogram for any reason satisfactory to the Board of Directors of the American Petroleum Institute.

The scope of this license includes the following: **Ball Valves**

QMS Exclusions: No Exclusions Identified as Applicable

Effective Date: AUGUST 13, 2022
Expiration Date: AUGUST 13, 2025

Anchal Liddar
 Senior Vice President of Global Industry Services

To verify the authenticity of this license, go to www.api.org/compositelist.

▲ API 6D

Certificazione del Sistema di Qualità applicato per la progettazione, fabbricazione, ispezione finale e la prova di valvole a sfera per impianti del settore del petrolio e dal gas naturale in accordo allo standard API6D ed autorizzazione all'applicazione del Monogramma API da parte dell'American Petroleum Institute.

Certification of the Quality Management System operated by OMAL for the design, manufacture, final inspection and tests of ball valves for installations in the sector of oil and natural gas according to the API6D Spec. and license by American Petroleum Institute to the API monogram application.



CERTIFICATE

This certifies, that the company

Omial S.p.A.
 Via Ponte Nuovo, 11
 25050 Rodengo Saiano (BS)
 Italy

Is authorized to provide the product mentioned below

Description of product: **2-ways split body trunnion mounted ball valve series Supreme**

In accordance with: **EN 61508:2010 Parts 1, 2, 4, 5, 6, 7**



Validity from: 2023-07-29
 until: 2026-07-29

Cerro Maggiore, 2023-07-29
 protob@tuv-nord.it

Registration No 20 20534 01
 Test Report No FS-201765-23-M-05
 File reference: 23789-05

TUV NORD Italia S.r.l. (TUV NORD Group)
 Via Tullio, 10 20023 Cerro Maggiore (MI) www.tuv-nord.it

Please also pay attention to the information stated overleaf

TUV-QP/IND-SIL-01-14-Rev00_01_2020-Certificate_Type A

▲ SIL

Certificazione di conformità alla norma IEC 61508, del livello di sicurezza funzionale del prodotto destinato ad essere integrato in sistemi con un livello di integrità funzionale fino a SIL 3.

Certification of compliance to the IEC 61508 requirements, of the functional safety level provided by the product intended to be integrated in systems with required safety integrity level up to SIL 3.



INERIS

Appareil non électrique destiné à être utilisé en atmosphères explosibles
 Non electrical equipment intended for use in potentially explosive atmospheres
 Apparecchi non elettrici destinati ad essere utilizzati in atmosfera potenzialmente esplosiva

Directive 2014/34/EU
 Directive 2014/34/UE / Direttiva 2014/34/UE

ACCUSÉ DE RECEPTION D'UN DOSSIER TECHNIQUE
 ACKNOWLEDGE RECEIPT OF TECHNICAL DOCUMENTATION
 AVVISO DI RICEVIMENTO DEL FASCICOLO TECNICO

Appareil / Equipment / Apparecchiatura: **BALL VALVES**

Type(s) / Type(s) / Tipo(s): **Water type, Split body type, Split Water type steel ball valves / Two-piece, Three-piece steel ball valve High-pressure - threaded ends / Two-piece brass ball valves threaded ends**

Marquage / Marking / Marcatura:  **II 2 GD**

Dépositaire / Applicant / Richiedente: **OMAL S.p.A.**
 Via Ponte Nuovo 11
 I - 25050 Rodengo Saiano (BS)

L'INERIS, organisme notifié et INERIS, notified body and identified L'INERIS, organismo notificato e identificato
 Identifié sous le numéro 0080, under number 0080, in accordance with con il n.0080 conformemente agli articoli
 conformément aux articles 17 et 21 de la articles 17 and 21 of Council Directive 17 e 21 della Direttiva 2014/34/UE del
 Directive du Conseil, 2014/34/UE, 2014/34/UE of the 26 February 2014, Consiglio dell'Unione Europea del 26 febbraio
 du 26 février 2014, accord réception acknowledges receipt of file according 2014, conferma il ricevimento del fascicolo
 du dossier conformément à la to the procedure described in chapter 3, in conformità alla procedura prevista nella
 procédure décrite au chapitre 3, article 13, 1) b) et 1) of the Directive, rubrica 3, articolo 13 1) b) et 1) della Direttiva,
 article 13 1) b) et 1) of the Directive.

La documentation technique référencée: The technical documentation referenced: La documentazione tecnica di riferimento: **VS-19 dated 10/10/2019**

VS-19 dated 10/10/2019 VS-19 dated 10/10/2019 VS-19 dated 10/10/2019

est consignée sous le numéro is consigned under the reference: è depositata con il numero di registrazione: **no INERIS-EQDN 035241/19**

n° INERIS-EQDN 035241/19, n° INERIS-EQDN 035241/19, n° INERIS-EQDN 035241/19.

Dans le cadre de cet enregistrement, Within the scope of this recording, INERIS n'a pas examiné le contenu INERIS non ha esaminato il contenuto INERIS non ha esaminato il contenuto
 l'INERIS n'a pas examiné le contenu of the technical documentation. della documentazione tecnica.

Date de fin de validité: **2029, 11, 07** Validity completion date: **2029, 11, 07** Data di fine di validità: **2029, 11, 07**

Vermeil-en-Hallatte, le 2019, 11, 07

Le Directeur Général de l'INERIS,
Par délégation,

The Chief Executive Officer of INERIS,
By delegation,

Il Direttore generale dell'INERIS,
Per Delega,

Le document peut être reproduit que dans son intégralité / Only the entire document may be reprinted / Questo documento può essere riprodotto solo integralmente
 Parc Technologique Alata BP 2 F-69200 Vernueil-en-Hallatte
 03 33623 44 55 66 77 Fax: +33(0)3 44 52 66 99 Internet: www.ineris.fr
 Institut national de l'Environnement Industriel et des risques
 Etablissement public à caractère industriel et commercial - RCS Compagnie 5 381 964 914 - Siret 381 964 911 00019 - APE 7120B - TVA Intracommunautaire FR 73 381 964 921

▲ ATEX

Dichiarazione che il Sistema di Qualità applicato per la progettazione, fabbricazione, ispezione finale e la prova di valvole industriali è in accordo con i requisiti della Direttiva ATEX per apparecchiature destinate all'impiego in ambienti con atmosfera potenzialmente esplosiva.

Declaration that the Quality Management System operated by OMAL for the design, manufacture, final inspection and tests of industrial valves is in compliance with the Directive ATEX for equipment intended to be used in potentially explosive atmospheres.



FULL QUALITY ASSURANCE CERTIFICATE

Certificate No.: C539822 Initial date: 01 January, 2023 Validity: 01 January, 2023 – 31 December, 2025
 This certificate consists of 2 pages

This is to certify that the quality system of:
OMAL S.p.A.
 Via Ponte Nuovo, 11 - 25050 Rodengo Saiano (BS) - Italy

has been assessed and found to comply with respect to the conformity assessment procedure described in:
ANNEX III MODULE H OF DIRECTIVE 2014/68/EU ON PRESSURE EQUIPMENT

This certificate is valid for the following scope:

Type of Pressure Equipment **Pressure Accessory**
 Product Name **Ball valves, high pressure ball valves, butterfly valves, pneumatic valves.**

Place and date: Vinescote, 01 December, 2022

Check Validity

ACCREDITIA
 TÜV TRUKO DI ACCREDITAZIONE

For the issuing office:
 Notified Body 0496, Italy
 DNV Business Assurance Italy S.r.l.

Nicola Privato
 Management Representative

NOTIFIED BODY 0496: DNV Business Assurance Italy S.r.l. Via Energy Park, 14, 20071 Vinescote (MI), Italy. Tel: 039 88 99 905. www.dnv.com

▲ PED

Certificazione del Sistema di Qualità applicato per la progettazione, fabbricazione, ispezione finale e la prova di valvole industriali in accordo con i requisiti della Direttiva PED.
 OMAL operated Quality Management System Certificate for the design, manufacture, final inspection and tests of industrial valves in accordance with PED Directives

FUGITIVE EMISSION CERTIFICATE

CERTIFICATE NUMBER: FE-063578-727
 CLIENT: OMAL
 ADDRESS: Via Ponte Nuovo, 11 25050 Rodengo Saiano (BS) - Italy

REPORT NUMBER: 46

SCOPE OF REPORT: Fugitive Emission test carried out according to: ISO 15848-1 Edition 2015

max BAR: 150 Bar
 max °C: +150°C

QUALIFIED VALVE: Size: 6" (Stem Dia. 53mm)
 Rating Class: 900
 Drawing N°: Y_5126
 Type: SPLIT BODY TRUNNION BALL VALVE

RANGE AND TYPE OF VALVES COVERED: ISO FE BH-C01-SSA 0-4(-29°C, 150°C) ANSI900 - ISO 15848-1 in accordance with ISO 15848, we also extend the certification to valve with same stem and body seals material, design (shape) and construction, with stem size 50% lower and 200% higher than stem tested Paragraph 8 e); Stem tested Ø53 mm => Ø26.5 mm ≤ Stem certified ≤ Ø106 mm Paragraph 8 f); Pressure ≤ANSI 900 & PN ≤100

TUV INSPECTOR: Mastrogiacomo Simone
 Date: 19/02/2016

CERTIFICATION DATE: 19/02/2016

TUV Italia s.r.l. - TÜV SÜD Group

▲ FUGITIVE EMISSION

Certificazione di conformità ai requisiti di non emissione verso l'esterno di sostanze nocive, in accordo con la norma UNI EN ISO 15848-1, per applicazione con fluidi volatili inquinanti e pericolosi.
 Certification in compliance with UNI EN ISO 15848-1 requirements of non-emission of harmful substances to the outside, referring to volatile air pollutants and hazardous fluids applications.

FIRE SAFE CERTIFICATE

CERTIFICATE NUMBER: FS-063578-320

CLIENT: OMAL
 ADDRESS: Via Ponte Nuovo, 11 25050 Rodengo Saiano (BS)- Italy

REPORT NUMBER: 04

SCOPE OF REPORT: Fire Safe test carried out according to: API 607 Sixth Edition September 2010, ISO 10497 Third Edition February 2010

max BAR: 14,7 Bar
 max °C: +927,5°C

QUALIFIED VALVE: Size: 8"
 Rating Class: 150
 Drawing N°: Y_2503
 Model: SUPREME
 Type: TRUNNION BALL VALVE SPLIT BODY

RANGE AND TYPE OF VALVES COVERED: NPS 8" and larger (DN 200 and larger)
 Class 150; 300 (PN 10, 16, 25, 40)

TUV INSPECTOR: Mastrogiacomo Simone
 Date: 28/08/13

CERTIFICATION DATE: 28/08/13

TUV Italia s.r.l. - TÜV SÜD Group

▲ FIRE SAFE

Certificazione della capacità di tenuta di una valvola in pressione, durante e dopo la prova di resistenza al fuoco in accordo con le norme API607/ISO 10497
 Certification of compliance of the sealing capability of a valve in pressure during and after the fire type-testing according to API607/ISO 10497 standards

SUPREME





1.6

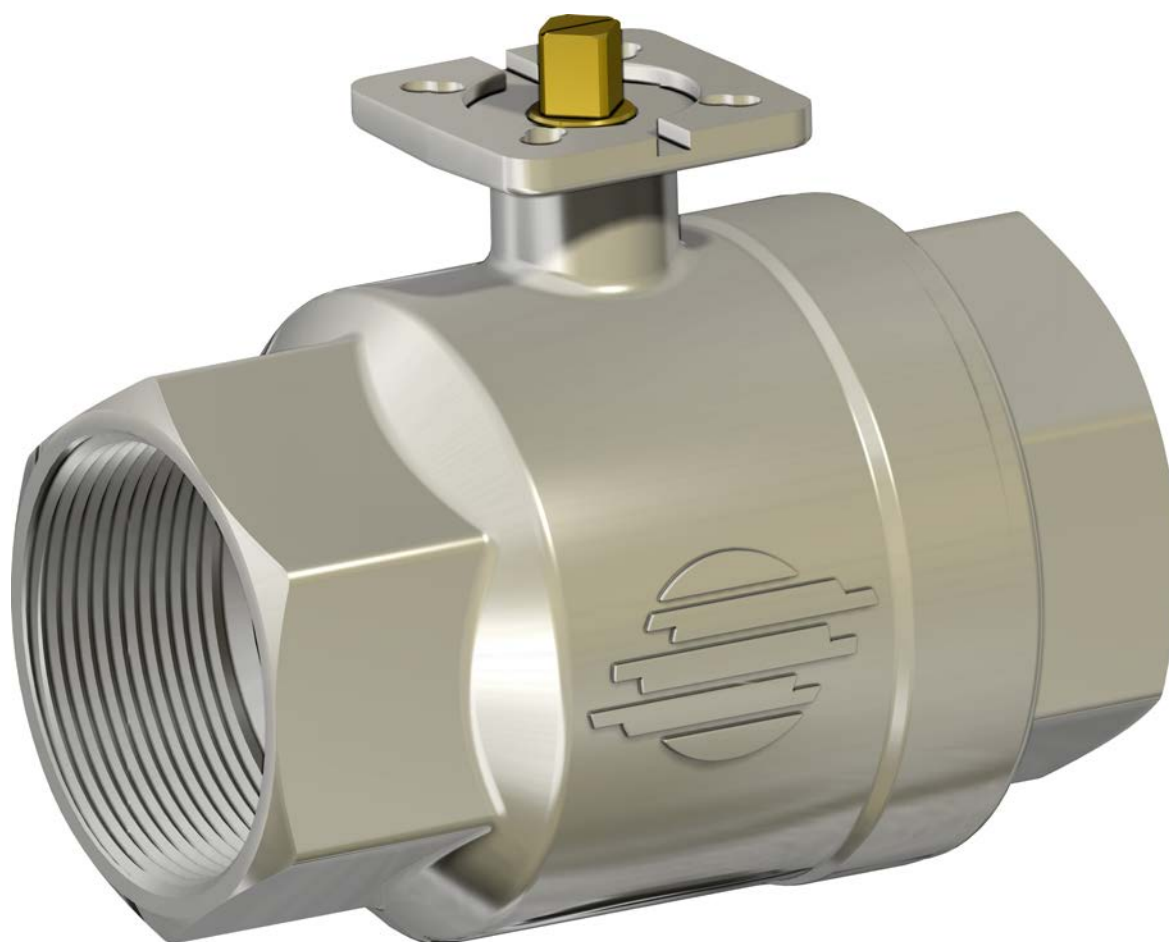
**ALTRE VALVOLE
A SFERA**

***OTHER BALL
VALVES***



ITEM 100

VALVOLA A SFERA IN OTTONE 2 VIE FILETTATA PASSAGGIO INTEGRALE.
2-WAY FULL-BORE THREADED-ENDS BRASS BALL VALVE.



<p>CARATTERISTICHE GENERALI:</p> <ul style="list-style-type: none">• La valvola é costruita per impieghi a basse pressioni con fluidi non aggressivi.• Temperatura di utilizzo: da -20°C a +150°C per fluidi.• Pressione di utilizzo: vedi diagramma.• Fluido intercettato: aria, acqua, olii, applicazioni leggere.• Estremità filettate a norma ISO 7/1.• Flangia montaggio attuatore a norma ISO 5211.	<p>GENERAL FEATURES:</p> <ul style="list-style-type: none">• <i>The valve is suitable for low pressures on condition that non aggressive fluids are used.</i>• <i>Working temperature: from -20°C to +150°C for fluids.</i>• <i>Working pressure: see diagram.</i>• <i>Fluid range: water, oil, gas and light applications.</i>• <i>Threaded ends as per ISO 7/1 specifications.</i>• <i>ISO 5211 flange connection.</i>
<p>ESECUZIONI SPECIALI A RICHIESTA:</p> <ul style="list-style-type: none">• Per altre applicazioni contattare il nostro ufficio commerciale.	<p>ON REQUEST:</p> <ul style="list-style-type: none">• <i>For other applications, please contact our sales department.</i>
<p>CERTIFICAZIONI:</p> <ul style="list-style-type: none">• Conforme alla direttiva Europea 2014/68/UE "PED".	<p>CERTIFICATIONS:</p> <ul style="list-style-type: none">• <i>According to 2014/68/EU "PED".</i>



DIAGRAMMA PRESSIONE/TEMPERATURA
PRESSURE/TEMPERATURE DIAGRAM

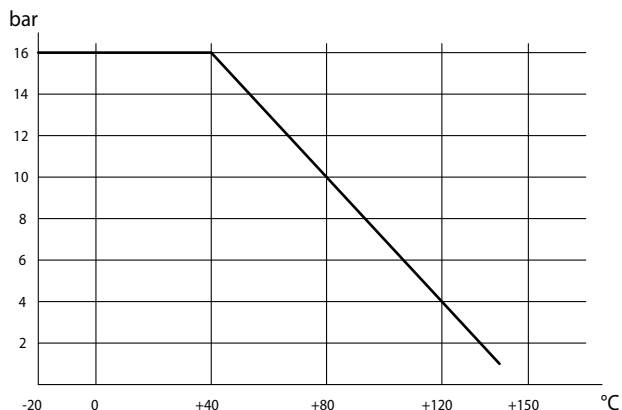
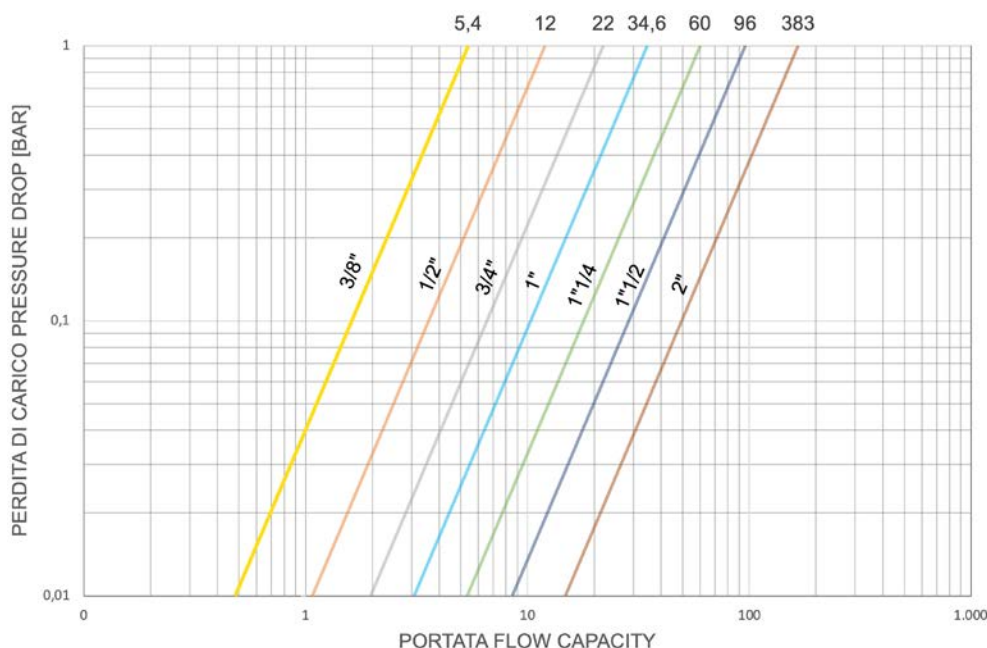


DIAGRAMMA PORTATA/PERDITA DI CARICO E COEFFICIENTE NOMINALE Kv
FLOW/PRESSURE LOSS DIAGRAM AND Kv NOMINAL COEFFICIENT



Il valore Kv è il valore di portata in m³/h (con acqua a 15°C) che provoca la caduta di pressione di 1 bar.

Kv is the coefficient, expressed in m³/h (with water at 15°C) causing a pressure loss of 1 bar.

BRASS BALL VALVES

COPPIE DI SPUNTO in Nm		BREAKAWAY TORQUES Nm					
MISURA SIZE	DN 10 3/8"	DN 15 1/2"	DN 20 3/4"	DN 25 1"	DN 32 1"1/4"	DN 40 1"1/2"	DN 50 2"
PN 16 bar	3	3	4	5	7	9	15

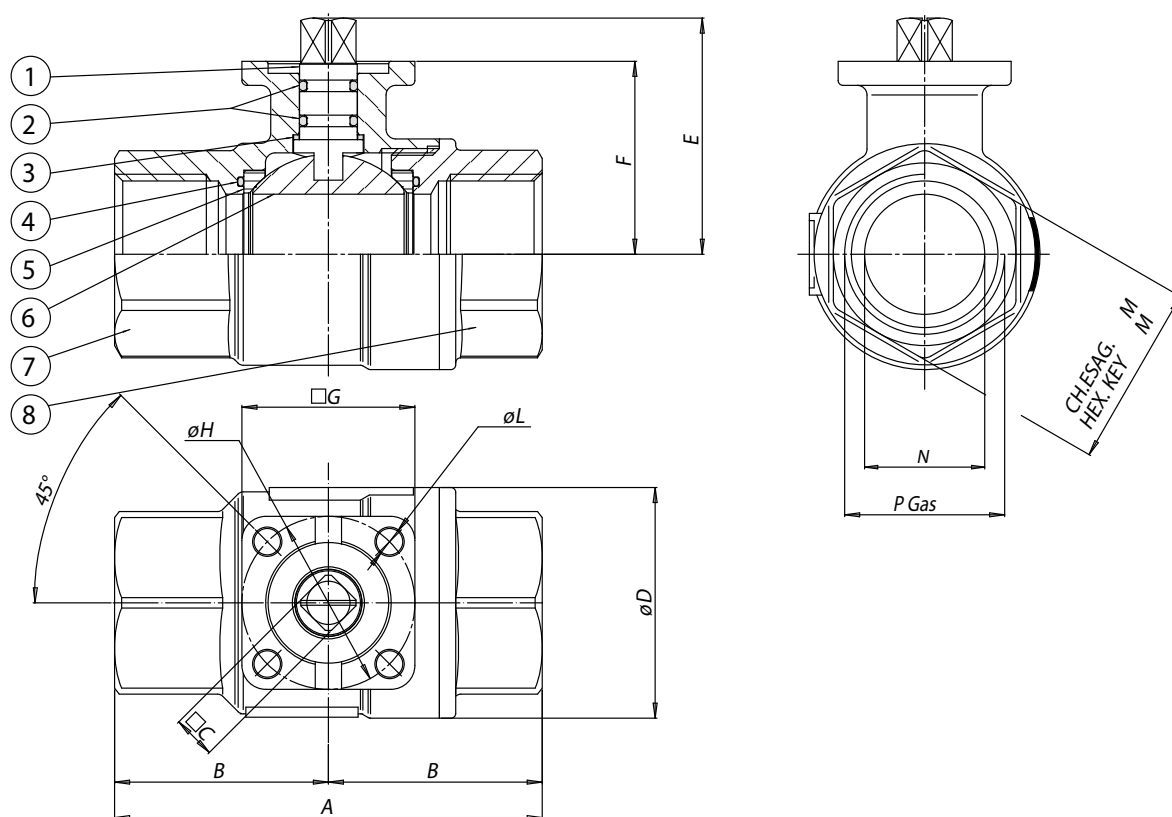
I valori della coppia possono variare in funzione della temperatura e del tipo di fluido. Considerare un fattore di sicurezza pari a 1,4. Con frequenti cicli di apertura e chiusura la coppia di manovra può diminuire sensibilmente rispetto a quella iniziale. Gli accoppiamenti attuatore/valvola, riportati nelle pagine seguenti, sono realizzati per valvole che intercettano fluidi liquidi o gassosi, puliti e per medie temperature. Per maggiori informazioni, o utilizzi diversi, consultare il nostro ufficio commerciale.

Torque can vary depending on temperature and type of fluid; a safety factor of 1.4 must be applied. Torque can drop on high frequency of operations. The actuator/valve sizing, indicated on the following pages, are based for valves to be used with liquids or gaseous fluids, clean, and for medium temperatures. For further information, or different uses please contact our sales department.



ITEM 100
OTTONE BRASS
ASSE LIBERO E CON LEVA FREE SHAFT AND WITH LEVER

MISURA SIZE		ASSE LIBERO FREE SHAFT		CON LEVA WITH LEVER		
DN [mm]	[inch]	Asse libero Free shaft	Kg	Con Leva With lever	Kg	Kit leva Lever kit
DN 10	3/8"	V100N203G	0,18	L100N203G	0,23	KLV10103
DN 15	1/2"	V100N204G	0,26	L100N204G	0,3	KLV10103
DN 20	3/4"	V100N205	0,44	L100N205	0,51	KLV10103
DN 25	1"	V100N206	0,66	L100N206	0,72	KLV10103
DN 32	1" 1/4	V100N207G	1,04	L100N207G	1,1	KLV10105
DN 40	1" 1/2	V100N208G	1,5	L100N208G	1,56	KLV10105
DN 50	2"	V100N209G	2,56	L100N209G	2,6	KLV10109



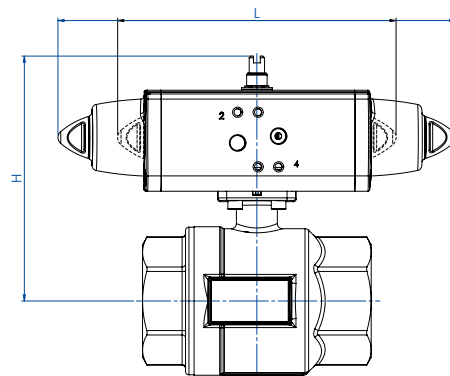
MATERIALI MATERIALS			
1	Stelo Shaft	Ottone Brass	EN 12164 CW614N
2	O-ring	FKM	
3	Anello antifrizione Antifriction rings	P.T.F.E.	
4	O-ring laterali O-ring	FKM	
5	Guarnizioni di tenuta laterale Seals	P.T.F.E.	
6	Sfera Ball	Ottone cromatura dura Brass chromium plated	EN 12164 CW614N
7	Corpo* Body*	Ottone Brass	EN 12165 CW617N
8	Manicotto femmina* Threaded end*	Ottone Brass	EN 12165 CW617N

* Trattamento esterno: Nichelatura brillante * Surface treatment: bright nickel plating

MISURA SIZE		DIMENSIONI DIMENSIONS										
DN [mm]	[inch]	A	B	C	D	E	F	G	H	L	ch.M	N
DN 10	3/8"	69	34,5	9	31,8	38,5	29,5	36	36	5,5	25	10
DN 15	1/2"	69	34,5	9	31,8	38,5	29,5	36	36	5,5	25	15
DN 20	3/4"	77	38,5	9	40	45,3	36,3	36	36	5,5	31	20
DN 25	1"	89	44,5	9	48	49,2	40,2	36	36	5,5	38	25
DN 32	1" 1/4	103	51,5	11	62	59,6	50,5	42	36	5,5	47	32
DN 40	1" 1/2	114	57	11	72,6	66,2	57	42	36	5,5	54	40
DN 50	2"	134	67	11	88,5	75,5	64,3	46	36/42	5,5	66	50



ITEM 100 OTTONE BRASS CON ATTUATORE WITH ACTUATOR



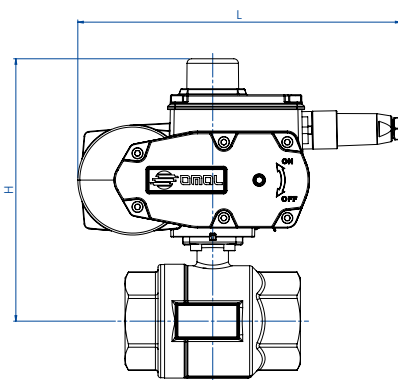
CON ATTUATORE PNEUMATICO DOPPIO EFFETTO WITH DOUBLE ACTING PNEUMATIC ACTUATOR

MISURA DN [mm]	SIZE [inch]	ARTICOLO ITEM CODE	ATTUATORE ACTUATOR	KIT montaggio Mounting KIT	L [mm]	H [mm]	Kg
DN 10	3/8"	DG100H003	DA008401S	KCF032558	70,0	85,0	0,5
DN 15	1/2"	DG100H004	DA008401S	KCF032558	70,0	88,0	0,6
DN 20	3/4"	D100H005	DA008401S	KCF032558	70,0	94,0	0,7
DN 25	1"	D100H006	DA008401S	KCF032558	70,0	98,0	1,0
DN 32	1" 1/4	DG100H007	DAN0015411S	KCF032558	159,0	122,8	1,9
DN 40	1" 1/2	DG100H008	DAN0015411S	KCF032558	159,0	129,8	2,7
DN 50	2"	DG100H009	DAN0030411S	KCF032558	174,2	143,8	4,2

CON ATTUATORE PNEUMATICO SEMPLICE EFFETTO WITH SPRING RETURN PNEUMATIC ACTUATOR

MISURA DN [mm]	SIZE [inch]	ARTICOLO ITEM CODE	ATTUATORE ACTUATOR	KIT montaggio Mounting KIT	L [mm]	H [mm]	Kg
DN 10	3/8"	SG100H003	SRN0015401S	KCF042565	233,2	105,8	1,5
DN 15	1/2"	SG100H004	SRN0015401S	KCF042565	233,2	108,8	1,6
DN 20	3/4"	SG100H005	SRN0015401S	KCF042565	233,2	115,8	1,7
DN 25	1"	SG100H006	SRN0015401S	KCF042565	233,2	119,8	2,0
DN 32	1" 1/4	SG100H007	SRN0015401S	KCF032558	233,2	129,8	2,5
DN 40	1" 1/2	SG100H008	SRN0015401S	KCF032558	233,2	136,8	3,3
DN 50	2"	SG100H009	SRN0030401S	KCF055309	258,8	155,0	5,2

Dimensionamento degli attuatori pneumatici fatto considerando una pressione minima di alimentazione pari a 5,6 barg. Sizing of pneumatic actuators by minimum pressure rate 5,6 barg.



CON ATTUATORE ELETTRICO ON-OFF (230 Vac) WITH ON-OFF ELECTRIC ACTUATOR

MISURA DN [mm]	SIZE [inch]	ARTICOLO ITEM CODE	ATTUATORE ACTUATOR	KIT montaggio Mounting KIT	L [mm]	H [mm]	Kg
DN 10	3/8"	CG100A5E03	EA0035A5C000	KCF052003	250,0	176,0	3,7
DN 15	1/2"	CG100A5E04	EA0035A5C000	KCF052003	250,0	176,0	3,8
DN 20	3/4"	C100A5E05	EA0035A5C000	KCF052003	250,0	178,0	4,2
DN 25	1"	C100A5E06	EA0035A5C000	KCF052003	250,0	186,0	4,4
DN 32	1" 1/4	CG100A5E07	EA0035A5C000	KCF055309	250,0	187,5	4,6
DN 40	1" 1/2	CG100A5E08	EA0035A5C000	KCF055309	250,0	194,0	5,1
DN 50	2"	CG100A5E09	EA0035A5C000	KCF055309	250,0	201,3	6,1

CON ATTUATORE ELETTRICO MODULANTE (230 Vac) WITH ROTARY MODULAR TYPE ELECTRIC ACTUATOR

MISURA DN [mm]	SIZE [inch]	ARTICOLO ITEM CODE	ATTUATORE ACTUATOR	KIT montaggio Mounting KIT	L [mm]	H [mm]	Kg
DN 10	3/8"	MG10016C03	AM160002	KCF052003	165,8	146,0	2,9
DN 15	1/2"	MG10016C04	AM160002	KCF052003	165,8	143,0	3,0
DN 20	3/4"	M10016C05	AM160002	KCF052003	165,8	155,8	3,2
DN 25	1"	M10016C06	AM160002	KCF052003	165,8	159,6	3,4
DN 32	1" 1/4	MG10016C07	AM160002	KCF055309	250,0	187,5	4,6
DN 40	1" 1/2	MG10016C08	AM160002	KCF055309	250,0	194,0	5,1
DN 50	2"	MG10016F09	AM160005	KCNACDV5421	250,0	221,3	6,1

Codici con attuatore elettrico 230Vac. Items with electric actuator 230 Vac.
Versione ATEX non disponibile per attuatori elettrici. ATEX version not available for electric actuator.



ITEM 101

VALVOLA A SFERA IN OTTONE 2 VIE FILETTATA PASSAGGIO INTEGRALE.
2-WAY FULL-BORE THREADED-ENDS BRASS BALL VALVE.



CARATTERISTICHE GENERALI:

- La valvola é costruita per impieghi a medie pressioni con fluidi non aggressivi.
- Temperatura di utilizzo: da -20°C a +150°C per fluidi.
- Pressione di utilizzo: vedi diagramma.
- Fluido intercettato: aria, acqua, gas, oli, prodotti petroliferi e petrolchimici, vuoto.
- Estremità filettate a norma ISO 7/1 e NPT.
- Flangia montaggio attuatore a norma ISO 5211.
- **Disponibile anche una versione con profilo guarnizione sfera autoraschiante idonea all'impiego con fluidi sporchi o contenenti particolato solido.**

ESECUZIONI SPECIALI A RICHIESTA:

- Per altre applicazioni contattare il nostro ufficio commerciale.

CERTIFICAZIONI:

- Conforme alla direttiva Europea 2014/68/UE "PED".
- Versione ATEX in conformità alla direttiva 2014/34/UE a richiesta.

GENERAL FEATURES:

- *The valve is suitable for medium pressures on condition that non aggressive fluids are used.*
- *Working temperature: from -20°C to +150°C for fluids.*
- *Working pressure: see diagram.*
- *Fluid range: air, water, oil, gas, petroliferous and petrochemical products, vacuum.*
- *Threaded ends as per ISO 7/1 and NPT specifications.*
- *ISO 5211 flange connection.*
- ***Available version with self-scraping ball profile seal, suitable to be used with dirty fluids or with solid particles inside.***

ON REQUEST:

- *For other applications, please contact our sales department.*

CERTIFICATIONS:

- *According to 2014/68/EU "PED".*
- *ATEX version in conformity with directive 2014/34/EU on request.*



DIAGRAMMA PRESSIONE/TEMPERATURA PRESSURE/TEMPERATURE DIAGRAM

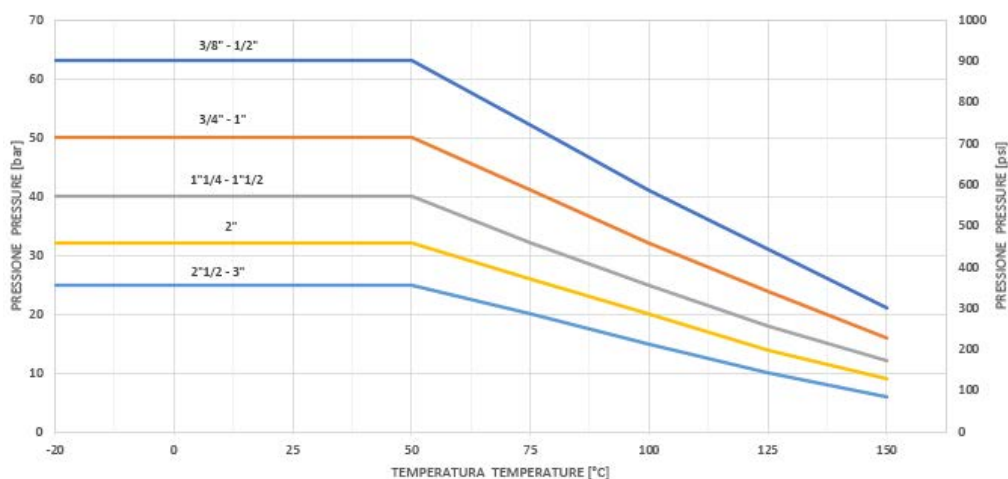
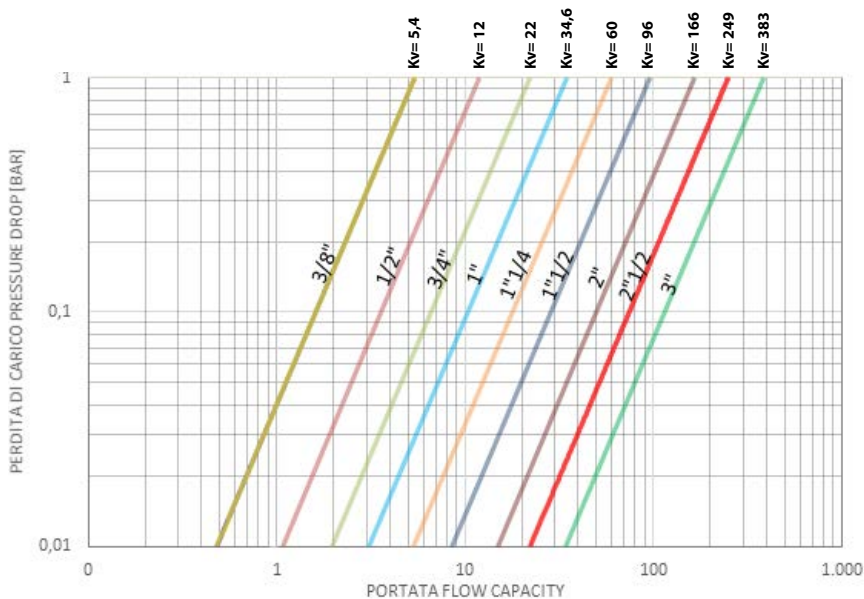


DIAGRAMMA PORTATA/PERDITA DI CARICO E COEFFICIENTE NOMINALE Kv FLOW/PRESSURE LOSS DIAGRAM AND Kv NOMINAL COEFFICIENT



Il valore Kv è il valore di portata in m³/h (con acqua a 15°C) che provoca la caduta di pressione di 1 bar.

Kv is the coefficient, expressed in m³/h (with water at 15°C) causing a pressure loss of 1 bar.

Cv factor is the flow of water at 60°F in USgallons / minutes (gpm) at appressure drop of 1 lb/in².

	COPPIE DI SPUNTO in Nm					BREAKAWAY TORQUES Nm			
MISURA SIZE	DN 10 3/8"	DN 15 1/2"	DN 20 3/4"	DN 25 1"	DN 32 1"1/4	DN 40 1"1/2	DN 50 2"	DN 65 2"1/2	DN 80 3"
PN 25 bar								48	70
PN 32 bar							23		
PN 40 bar					11	16			
PN 50 bar			5	8					
PN 64 bar	4	4							

I valori della coppia possono variare in funzione della temperatura e del tipo di fluido. Considerare un fattore di sicurezza pari a 1,4. Con frequenti cicli di apertura e chiusura la coppia di manovra può diminuire sensibilmente rispetto a quella iniziale. Gli accoppiamenti attuatore/valvola, riportati nelle pagine seguenti, sono realizzati per valvole che intercettano fluidi liquidi o gassosi, puliti e per medie temperature. Per maggiori informazioni, o utilizzi diversi, consultare il nostro ufficio commerciale.

Torque can vary depending on temperature and type of fluid; a safety factor of 1.4 must be applied. Torque can drop on high frequency of operations. The actuator/valve sizing, indicated on the following pages, are based for valves to be used with liquids or gaseous fluids, clean, and for medium temperatures. For further information, or different uses please contact our sales department.



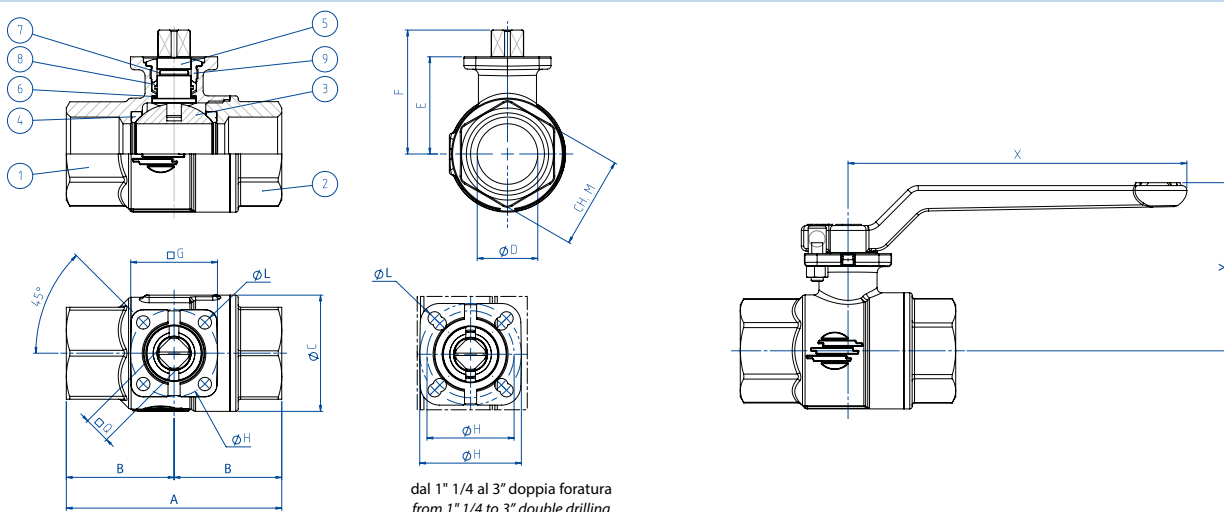
ITEM 101

OTTONE BRASS

ASSE LIBERO E CON LEVA FREE SHAFT AND WITH LEVER

ISO 7/1		ASSE LIBERO FREE SHAFT				CON LEVA WITH LEVER				
MISURA SIZE		Asse libero Free shaft	ATEX	Con guarnizione autoraschiante With self-scraping seal	Kg	Con Leva With lever	ATEX	Con guarnizione autoraschiante With self-scraping seal	Kg	Kit leva Lever kit
DN [mm]	[inch]									
DN 10	3/8"	V101N203	V101N203YX	-	0,33	L101N203	L101N203YX	-	0,4	KLV10103
DN 15	1/2"	V101N204	V101N204YX	-	0,29	L101N204	L101N204YX	-	0,35	KLV10103
DN 20	3/4"	V101N205G	V101N205GYX	-	0,43	L101N205G	L101N205GYX	-	0,5	KLV10105
DN 25	1"	V101N206G	V101N206GYX	-	0,66	L101N206G	L101N206GYX	-	0,72	KLV10105
DN 32	1" 1/4	V101N207G	V101N207GYX	V101Z207G	1,07	L101N207G	L101N207GYX	L101Z207G	1,14	KLV10109
DN 40	1" 1/2	V101N208G	V101N208GYX	V101Z208G	1,52	L101N208G	L101N208GYX	L101Z208G	1,59	KLV10109
DN 50	2"	V101N209	V101N209YX	V101Z209	2,62	L101N209	L101N209YX	L101Z209	2,69	KLV10109
DN 65	2" 1/2	V101N210	V101N210YX	V101Z210	3,98	L101N210	L101N210YX	L101Z210	4,28	KLV10110
DN 80	3"	V101N211	V101N211YX	V101Z211	6,68	L101N211	L101N211YX	L101Z211	6,98	KLV10110

NPT		ASSE LIBERO FREE SHAFT			CON LEVA WITH LEVER			
MISURA SIZE		Asse libero Free shaft	ATEX	Kg	Con Leva With lever	ATEX	Kg	Kit leva Lever kit
DN [mm]	[inch]							
DN 10	3/8"	V101N503	V101N503YX	0,4	L101N503	L101N503YX	0,6	KLV10103
DN 15	1/2"	V101N504	V101N504YX	0,3	L101N504	L101N504YX	0,5	KLV10103
DN 20	3/4"	V101N505G	V101N505GYX	0,5	L101N505G	L101N505GYX	0,7	KLV10105
DN 25	1"	V101N506G	V101N506GYX	0,7	L101N506G	L101N506GYX	0,9	KLV10105
DN 32	1" 1/4	V101N507G	V101N507GYX	1,2	L101N507G	L101N507GYX	1,4	KLV10109
DN 40	1" 1/2	V101N508G	V101N508GYX	1,7	L101N508G	L101N508GYX	1,9	KLV10109
DN 50	2"	V101N509	V101N509YX	2,7	L101N509	L101N509YX	3,0	KLV10109
DN 65	2" 1/2	V101N510	V101N510YX	5,7	L101N510	L101N510YX	6,1	KLV10110
DN 80	3"	V101N511	V101N511YX	9,6	L101N511	L101N511YX	10,0	KLV10110



MATERIALI MATERIALS

1	Corpo* Body*	Ottone Brass	EN 12165 CW617N
2	Manicotto* Threaded ends*	Ottone Brass	EN 12165 CW617N
3	Sfera Ball	Ottone cromata dura Brass chromium plated	EN 12164 CW614N
4	Guarnizioni di tenuta laterale Seals	P.T.F.E.	
5	Stelo Shaft	Ottone Brass	EN 12164 CW614N
6	Anelli antifrizione Antifriction rings	P.T.F.E.	
7	O-ring	FKM	
8	Guarnizione tenuta stelo Shaft seal	P.T.F.E.	
9	Premiguarnizione* Gland nut*	Ottone Brass	EN 12164 CW614N

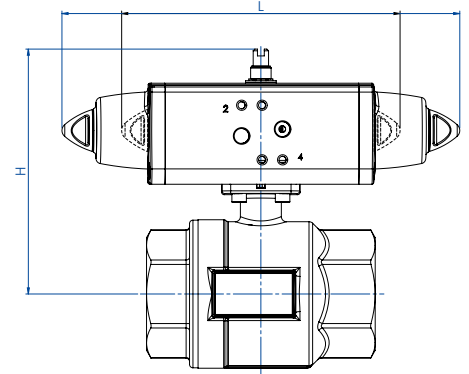
* Trattamento esterno: Nichelatura brillante * Surface treatment: bright nickel plating

DIMENSIONI DIMENSIONS

MISURA SIZE	øD	ISO 7/1		NPT		øC	□Q	E	F	G	øH	ISO	øL	ch.M	X	Y
		A	B	A	B											
DN 10	3/8"	10	69	34,5	62	31	31,8	9	30,5	38,5	36	F03	5,5	25	140	58,5
DN 15	1/2"	15	69	34,5	62	31	31,8	9	30,5	38,5	36	F03	5,5	25	140	58,5
DN 20	3/4"	20	77	38,5	68	34	40	11	36,3	47,1	36	F03	5,5	31	140	65
DN 25	1"	25	89	44,5	79,5	39,8	48	11	40,2	50,9	36	F03	5,5	38	140	68
DN 32	1" 1/4	32	103	51,5	92	46	60	11	51,5	62,5	42	F03/F04	5,5	47	140	80
DN 40	1" 1/2	40	114	57	102	51	70,6	11	58	69	42	F03/F04	5,5	54	140	86
DN 50	2"	50	134	67	116	58	88,5	11	65,3	76,3	46	F04/F05	5,5/6,5	66	140	93,5
DN 65	2" 1/2	65	161	80,5	146	73	112	14	83	97	65	F05/F07	6,5/8,5	84	212	118
DN 80	3"	80	185	92,5	168	84	138,4	14	94,5	108,5	65	F05/F07	6,5/8,5	98	212	127,5



ITEM 101 OTTONE BRASS CON ATTUATORE WITH ACTUATOR



CON ATTUATORE PNEUMATICO DOPPIO EFFETTO WITH DOUBLE ACTING PNEUMATIC ACTUATOR

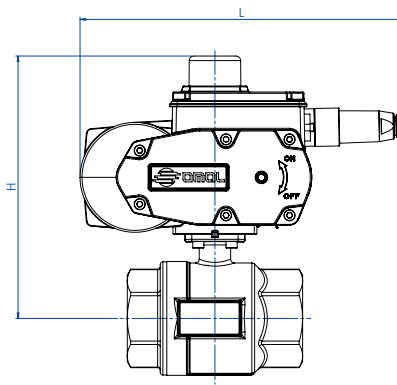
MISURA DN [mm]	SIZE [inch]	ARTICOLO ISO 7/1 ISO 7/1 ITEM CODE	ARTICOLO NPT NPT ITEM CODE	ATTUATORE ACTUATOR	KIT montaggio Mounting KIT	L [mm]	H [mm]	Kg
DN 10	3/8"	D101H003	D101H043	DA008401S	KCF032558	70,0	88,0	0,6
DN 15	1/2"	D101H004	D101H044	DA008401S	KCF032558	70,0	88,0	0,6
DN 20	3/4"	DG101H005	DG101H045	DAN0015411S	KCF032558	159,0	103,3	1,1
DN 25	1"	DG101H006	DG101H046	DAN0015411S	KCF032558	159,0	107,3	1,3
DN 32	1" 1/4	DG101H*07	DG101H047	DAN0030411S	KCF032558	174,2	129,8	2,0
DN 40	1" 1/2	DG101H*08	DG101H048	DAN0030411S	KCF032558	174,2	136,8	2,5
DN 50	2"	DG101H*09	DG101H049	DAN0045412S	KCF042559	188,5	149,4	4,6
DN 65	2" 1/2	DG101H*10	DG101H050	DAN0106411S	KCF072567	237,0	186,3	7,2
DN 80	3"	DG101H*11	DG101H051	DAN0120411S	KCF072567	244,1	201,6	10,1

CON ATTUATORE PNEUMATICO SEMPLICE EFFETTO WITH SPRING RETURN PNEUMATIC ACTUATOR

MISURA DN [mm]	SIZE [inch]	ARTICOLO ISO 7/1 ISO 7/1 ITEM CODE	ARTICOLO NPT NPT ITEM CODE	ATTUATORE ACTUATOR	KIT montaggio Mounting KIT	L [mm]	H [mm]	Kg
DN 10	3/8"	SG101H003	SG101H043	SRN0015401S	KCF042565	233,2	108,8	1,5
DN 15	1/2"	SG101H004	SG101H044	SRN0015401S	KCF042565	233,2	108,8	1,5
DN 20	3/4"	SG101H005	SG101H045	SRN0015401S	KCF032558	233,2	115,8	1,6
DN 25	1"	SG101H006	SG101H046	SRN0015401S	KCF032558	233,2	119,8	1,9
DN 32	1" 1/4	SG101H*07	SG101H047	SRN0030401S	KCF055309	258,8	141,0	3,0
DN 40	1" 1/2	SG101H*08	SG101H048	SRN0030401S	KCF055309	258,8	148,0	3,4
DN 50	2"	SG101H*09	SG101H049	SRN0053401S	KCF075310	304,2	168,3	6,0
DN 65	2" 1/2	SG101H*10	SG101H050	SRN0090401S	KCF102730	393,7	220,5	10,5
DN 80	3"	SG101H*11	SG101H051	SRN0120401S	KCF102730	409,6	235,5	14,5

* 0 = versione standard *standard version* * Z = versione con guarnizione autoraschiante *version with self-scraping seat*

Dimensionamento degli attuatori pneumatici fatto considerando una pressione minima di alimentazione pari a 5,6 barg. *Sizing of pneumatic actuators by minimum pressure rate 5,6 barg.*
VERSIONE ATEX: Aggiungere "YX" alla fine del codice articolo. ATEX VERSION: Add 'YX' at the end of the item code.



CON ATTUATORE ELETTRICO ON-OFF (230 Vac) WITH ON-OFF ELECTRIC ACTUATOR

MISURA DN [mm]	SIZE [inch]	ARTICOLO ISO 7/1 ISO 7/1 ITEM CODE	ARTICOLO NPT NPT ITEM CODE	ATTUATORE ACTUATOR	KIT montaggio Mounting KIT	L [mm]	H [mm]	Kg
DN 10	3/8"	C101A5E03	C101A5E43	EA0035A5C000	KCF052003	250,0	170,0	3,8
DN 15	1/2"	C101A5E04	C101A5E44	EA0035A5C000	KCF052003	250,0	170,0	3,8
DN 20	3/4"	CG101A5E05	CG101A5E45	EA0035A5C000	KCF055309	250,0	173,3	4,0
DN 25	1"	CG101A5E06	CG101A5E46	EA0035A5C000	KCF055309	250,0	177,2	4,3
DN 32	1" 1/4	CG101A5E07	CG101A5E47	EA0035A5C000	KCF055309	250,0	188,5	4,7
DN 40	1" 1/2	CG101A5E08	CG101A5E48	EA0035A5C000	KCF055309	250,0	195,0	5,1
DN 50	2"	C101A5G09	C101A5G49	EA0070A5C000	KCF052004	250,0	202,3	6,2
DN 65	2" 1/2	C101A5I10	C101A5I 50	EA0130A5C000	KCF072567	279,6	240,6	11,5
DN 80	3"	C101A5I11	C101A5I 51	EA0130A5C000	KCF072567	279,6	252,1	14,1

CON ATTUATORE ELETTRICO MODULANTE (230 Vac) WITH ROTARY MODULAR TYPE ELECTRIC ACTUATOR

MISURA DN [mm]	SIZE [inch]	ARTICOLO ISO 7/1 ISO 7/1 ITEM CODE	ARTICOLO NPT NPT ITEM CODE	ATTUATORE ACTUATOR	KIT montaggio Mounting KIT	L [mm]	H [mm]	Kg
DN 10	3/8"	M10116C03	M10116C43	AM160002	KCF052003	165,8	149,0	3,0
DN 15	1/2"	M10116C04	M10116C44	AM160002	KCF052003	165,8	149,0	3,0
DN 20	3/4"	MG10116C05	MG10116C45	AM160002	KCF055309	165,8	155,8	3,2
DN 25	1"	MG10116C06	MG10116C46	AM160002	KCF055309	165,8	159,6	3,4
DN 32	1" 1/4	MG10116F07	MG10116F47	AM160005	KCNACDV5421	250,0	272,5	5,5
DN 40	1" 1/2	MG10116F08	MG10116F48	AM160005	KCNACDV5421	250,0	279,0	5,9
DN 50	2"	M10116F09	M10116F49	AM160005	KCE281943	250,0	266,3	7,0
DN 65	2" 1/2	M10116L10	M10116L50	AM160020	KCE362068	279,6	304,6	12,3
DN 80	3"	M10116L11	M10116L51	AM160020	KCE362068	279,6	316,1	14,9

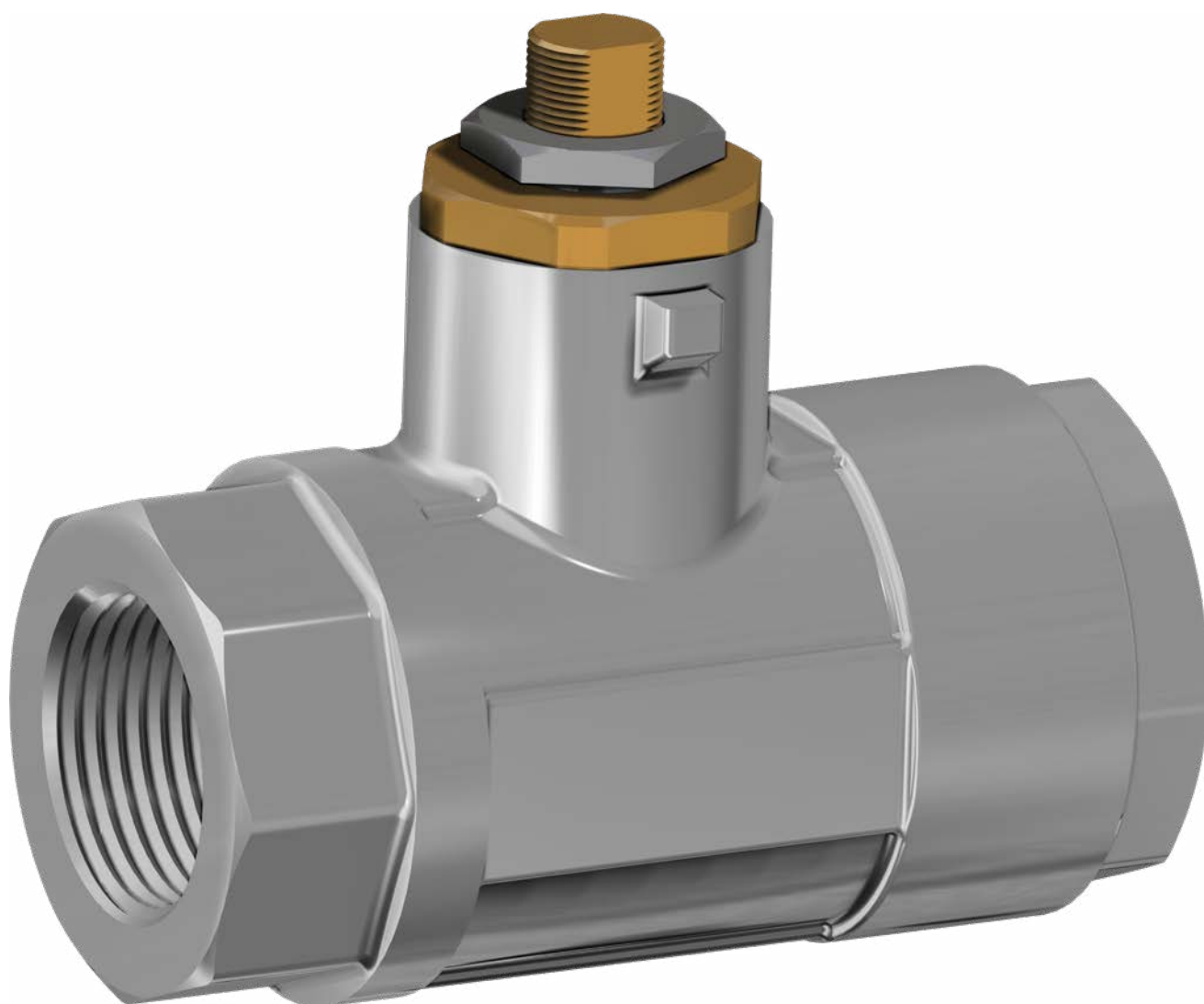
Codici con attuatore elettrico 230 Vac. *Items with electric actuator 230 Vac.*
 Versione ATEX non disponibile per attuatori elettrici. *ATEX version not available for electric actuator.*



ITEM 113

VALVOLA A SFERA IN OTTONE 2 VIE FILETTATA PASSAGGIO RIDOTTO PER ALTE PRESSIONI.

2-WAY HIGH-PRESSURE THREADED-ENDS BRASS BALL VALVE, REDUCED BORE.



CARATTERISTICHE GENERALI:

- La valvola é costruita per impieghi ad alte pressioni in impianti oleodinamici, pneumatici e industriali in genere.
- Temperatura di utilizzo: da -20°C a + 80°C.
- Pressione di utilizzo: 210 bar, vedere diagramma.
- Fluido intercettato: oli, prodotti petroliferi e petrolchimici, fluidi non aggressivi.
- Estremità filettate a norma ISO 7/1.

ESECUZIONI SPECIALI A RICHIESTA:

- Per altre applicazioni contattare il nostro ufficio commerciale.

GENERAL FEATURES:

- *High pressure ball valve suitable for hydraulic and pneumatic applications, in general.*
- *Working temperature: from -20°C to + 80°C.*
- *Working pressure: 210 bar, see diagram.*
- *Fluid range: oils, petroleum and petrochemical products.*
- *Threaded ends as per ISO 7/1 specifications.*

ON REQUEST:

- *For other applications, please contact our sales department.*



DIAGRAMMA PRESSIONE/TEMPERATURA
PRESSURE/TEMPERATURE DIAGRAM

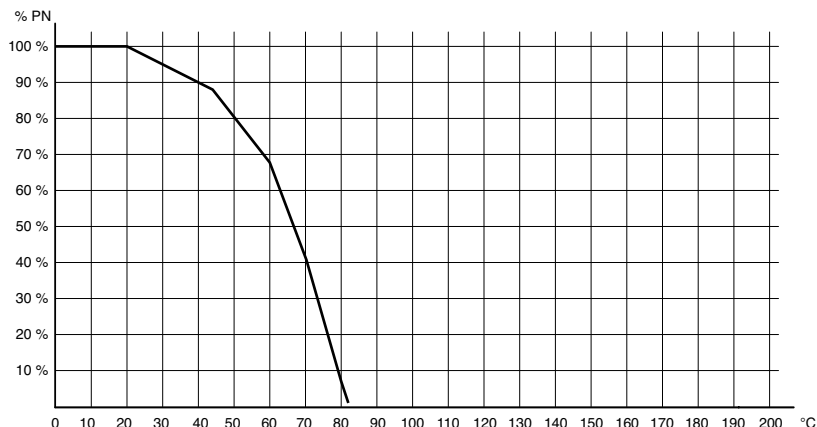
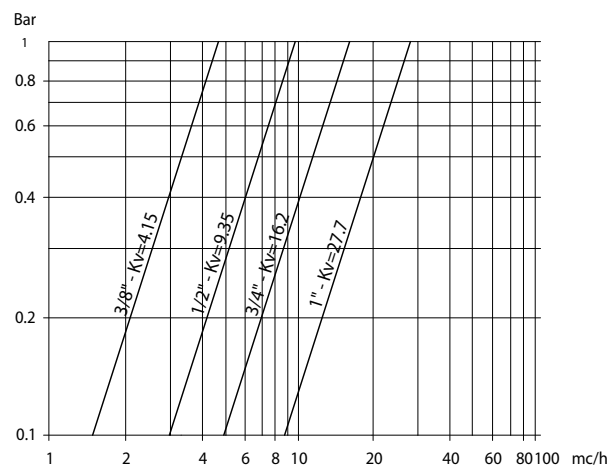


DIAGRAMMA PORTATA/PERDITA DI CARICO E COEFFICIENTE NOMINALE Kv
FLOW/PRESSURE LOSS DIAGRAM AND Kv NOMINAL COEFFICIENT



Il valore Kv è il valore di portata in m³/h (con acqua a 15°C) che provoca la caduta di pressione di 1 bar.

Kv is the coefficient, expressed in m³/h (with water at 15°C) causing a pressure loss of 1 bar.

BRASS BALL VALVES

COPPIE DI SPUNTO in Nm		BREAKAWAY TORQUES Nm		
MISURA SIZE	DN 10 3/8"	DN 15 1/2"	DN 20 3/4"	DN 25 1"
PN 210 bar	7	11	15	20

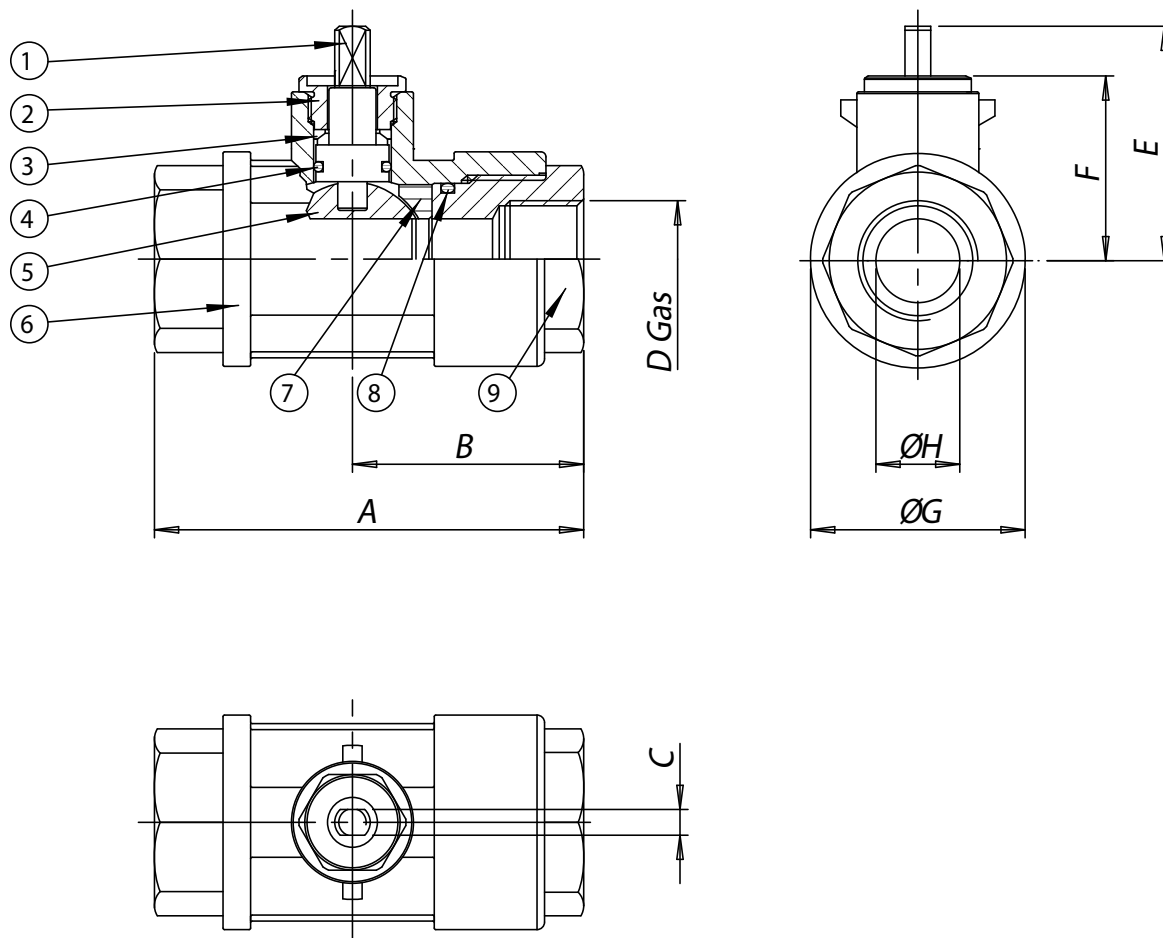
I valori della coppia possono variare in funzione della temperatura e del tipo di fluido. Considerare un fattore di sicurezza pari a 1,4. Con frequenti cicli di apertura e chiusura la coppia di manovra può diminuire sensibilmente rispetto a quella iniziale. Gli accoppiamenti attuatore/valvola, riportati nelle pagine seguenti, sono realizzati per valvole che intercettano fluidi liquidi o gassosi, puliti e per medie temperature. Per maggiori informazioni, o utilizzi diversi, consultare il nostro ufficio commerciale.

Torque can vary depending on temperature and type of fluid; a safety factor of 1.4 must be applied. Torque can drop on high frequency of operations. The actuator/valve sizing, indicated on the following pages, are based for valves to be used with liquids or gaseous fluids, clean, and for medium temperatures. For further information, or different uses please contact our sales department.



ITEM 113
OTTONE BRASS
ASSE LIBERO E CON LEVA FREE SHAFT AND WITH LEVER

MISURA SIZE		ASSE LIBERO FREE SHAFT	Kg	CON LEVA WITH LEVER	Kg	Kit guarnizioni Seals kit
DN [mm]	[inch]	Asse libero Free shaft		Con Leva With lever		
DN 10	3/8"	V113N203	0,42	L113N203	0,47	KGBV8303
DN 15	1/2"	V113N204	0,57	L113N204	0,62	KGBV8304
DN 20	3/4"	V113N205	1,06	L113N205	1,13	KGBV8305
DN 25	1"	V113N206	1,43	L113N206	1,5	KGBV8306



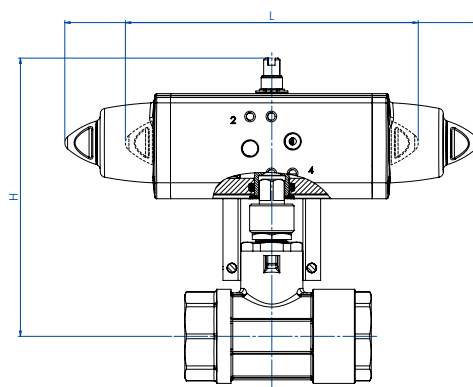
MATERIALI MATERIALS			
1	Stelo* Shaft*	Ottone Brass	EN 12164 CW614N
2	Premiguarnizione* Gland nut*	Ottone Brass	EN 12164 CW614N
3	Coppia di tenuta superiore Seals	P.T.F.E.	
4	O-ring tenuta stelo Shaft o-ring	FKM	
5	Sfera Ball	Ottone cromata lucida Brass chromium plated	EN 12164 CW614N
6	Corpo* Body*	Ottone Brass	EN 12165 CW617N
7	Guarnizioni di tenuta laterale Seals	Resina acetalica Acetalic resin	
8	O-ring tenuta manicotto End o-ring	FKM	
9	Manicotto femmina* Threaded end*	Ottone Brass	EN 12165 CW617N

*Trattamento esterno: Nichelatura brillante *Surface treatment: bright nickel plating

DIMENSIONI DIMENSIONS									
MISURA SIZE		A	B	C	øD	E	F	øG	øH
DN [mm]	[inch]								
DN 10	3/8"	75	44	7	3/8"	45	35	30	8
DN 15	1/2"	85	47	7	1/2"	47	36,5	36	12
DN 20	3/4"	95	54	10	3/4"	64,5	50,5	45	16
DN 25	1"	105	56	10	1"	66,8	53	53	20



ITEM 113 OTTONE BRASS CON ATTUATORE WITH ACTUATOR



CON ATTUATORE PNEUMATICO DOPPIO EFFETTO WITH DOUBLE ACTING PNEUMATIC ACTUATOR

MISURA DN [mm]	SIZE [inch]	ARTICOLO ITEM CODE	ATTUATORE ACTUATOR	KIT montaggio Mounting KIT	L [mm]	H [mm]	Kg
DN 10	3/8"	DG113H003	DAN0015411S	KCF045244	159	131,7	1,1
DN 15	1/2"	DG113H004	DAN0015411S	KCF045244	159	133,2	1,3
DN 20	3/4"	DG113H005	DAN0030411S	KCF042444	174,2	153,7	2,3
DN 25	1"	DG113H006	DAN0030411S	KCF042444	174,2	156,7	2,8

CON ATTUATORE PNEUMATICO SEMPLICE EFFETTO WITH SPRING RETURN PNEUMATIC ACTUATOR

MISURA DN [mm]	SIZE [inch]	ARTICOLO ITEM CODE	ATTUATORE ACTUATOR	KIT montaggio Mounting KIT	L [mm]	H [mm]	Kg
DN 10	3/8"	SG113H003	SRN0015401S	KCF045244	233,2	138,7	1,8
DN 15	1/2"	SG113H004	SRN0015401S	KCF045244	233,2	140,2	2,0
DN 20	3/4"	SG113H005	SRN0030402S	KCF053015	258,8	164,9	3,5
DN 25	1"	SG113H006	SRN0030402S	KCF053015	258,8	167,9	4,0

Dimensionamento degli attuatori pneumatici fatto considerando una pressione minima di alimentazione pari a 5,6 barg. Sizing of pneumatic actuators by minimum pressure rate 5,6 barg.

A richiesta, articoli disponibili anche con attuatori elettrici.
On request, items available also with electric actuators.





ITEM 115

VALVOLA A SFERA IN OTTONE 2 VIE FLANGIATA A CORPO PIATTO
- PASSAGGIO INTEGRALE.

2-WAY FULL-BORE FLAT BODY FLANGED BRASS BALL VALVE.



CARATTERISTICHE GENERALI:

- Norme per flange d'attacco: EN1092-1 PN16.
- Temperatura di utilizzo: da -20°C a +150°C per liquidi;
da -20°C a +60°C per gas.
- Pressione di utilizzo: PN 16 vedere diagramma.
- Fluido intercettato: aria, acqua, gas, prodotti petroliferi e petrolchimici, fluidi non aggressivi.
- Attacco ISO 5211 per attuatori.

ESECUZIONI SPECIALI A RICHIESTA:

- Per altre applicazioni contattare il nostro ufficio commerciale.

GENERAL FEATURES:

- *Flanges according to: EN1092-1 PN16.*
- *Working temperature: from -20°C to +150°C for liquids;
from -20°C to +60°C for gas.*
- *Working pressure: 16 bar see diagram.*
- *Fluid range: water, air, gas, petroleum and petrochemical products. Not suitable for aggressive media.*
- *ISO 5211 connection to actuators.*

ON REQUEST:

- *For other applications, please contact our sales department.*



DIAGRAMMA PRESSIONE/TEMPERATURA
PRESSURE/TEMPERATURE DIAGRAM

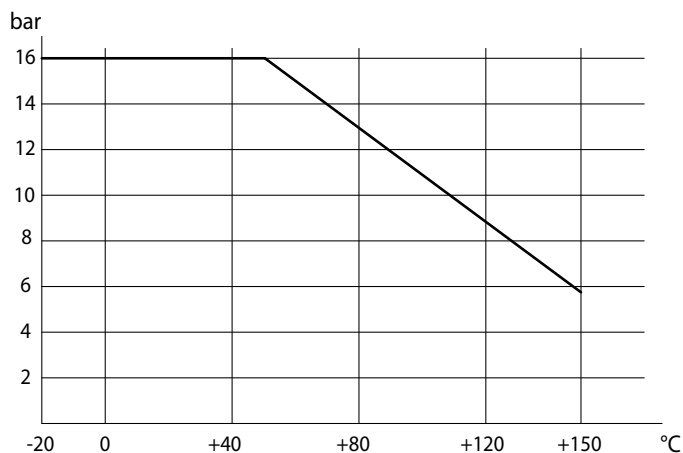
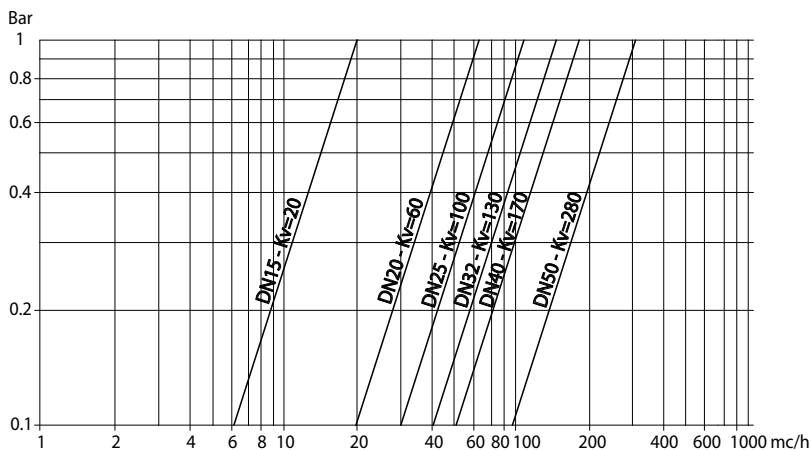


DIAGRAMMA PORTATA/PERDITA DI CARICO E COEFFICIENTE NOMINALE Kv
FLOW/PRESSURE LOSS DIAGRAM AND Kv NOMINAL COEFFICIENT



Il valore Kv è il valore di portata in m³/h (con acqua a 15°C) che provoca la caduta di pressione di 1 bar.

Kv is the coefficient, expressed in m³/h (with water at 15°C) causing a pressure loss of 1 bar.

BRASS BALL VALVES

	COPPIE DI SPUNTO in Nm		BREAKAWAY TORQUES Nm			
MISURA SIZE	DN 15 1/2"	DN 20 3/4"	DN 25 1/2"	DN 32 1 1/4"	DN 40 1 1/2"	DN 50 2"
PN 16 bar	7	9	16	26	39	58

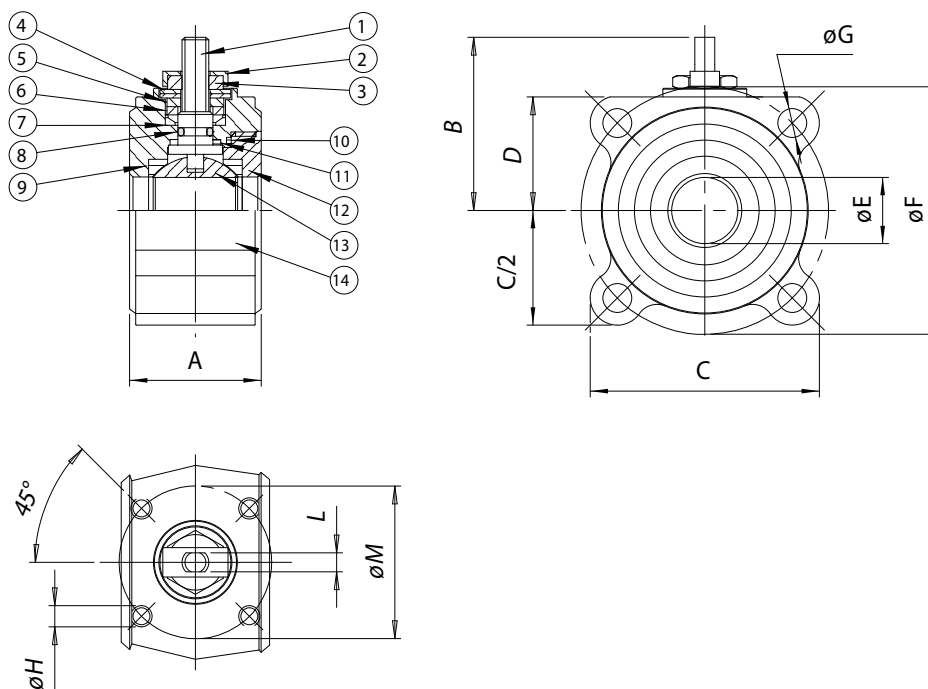
I valori della coppia possono variare in funzione della temperatura e del tipo di fluido. Considerare un fattore di sicurezza pari a 1,4. Con frequenti cicli di apertura e chiusura la coppia di manovra può diminuire sensibilmente rispetto a quella iniziale. Gli accoppiamenti attuatore/valvola, riportati nelle pagine seguenti, sono realizzati per valvole che intercettano fluidi liquidi o gassosi, puliti e per medie temperature. Per maggiori informazioni, o utilizzi diversi, consultare il nostro ufficio commerciale.

Torque can vary depending on temperature and type of fluid; a safety factor of 1.4 must be applied. Torque can drop on high frequency of operations. The actuator/valve sizing, indicated on the following pages, are based for valves to be used with liquids or gaseous fluids, clean, and for medium temperatures. For further information, or different uses please contact our sales department.



ITEM 115
OTTONE BRASS
ASSE LIBERO E CON LEVA FREE SHAFT AND WITH LEVER

MISURA SIZE		ASSE LIBERO FREE SHAFT		CON LEVA WITH LEVER		Kit guarnizioni Seals kit
DN [mm]	[inch]	Asse libero Free shaft	Kg	Con Leva With lever	Kg	
DN 15	1/2"	V115X604	0,85	L115X604	0,9	KGBV8404
DN 20	3/4"	V115X605	1,2	L115X605	1,25	KGBV8405
DN 25	1"	V115X606	1,7	L115X606	1,8	KGBV8406
DN 32	1" 1/4	V115X607	2,8	L115X607	2,9	KGBV8407
DN 40	1" 1/2	V115X608	3,6	L115X608	3,75	KGBV8408
DN 50	2"	V115X609	5	L115X609	5,15	KGBV8409



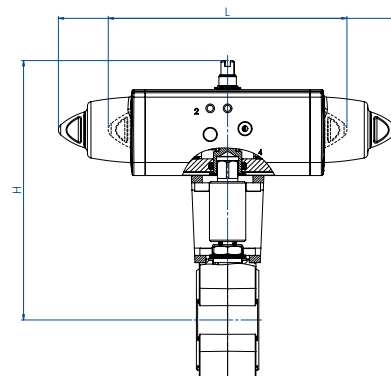
		MATERIALI	MATERIALS		
1	Stelo Shaft	304 S.S.	1.4301		UNI X5CrNi 18 10
2	Piastra bloccadado Nut holder	304 S.S.	1.4301		UNI X5CrNi 18 10
3	Dado di bloccaggio Lock nut	304 S.S.	1.4301		UNI X5CrNi 18 10
4	Molle a tazza Belleville washer	50 CrV4			
5	Distanziale Standstill	304 S.S.	1.4301		UNI X5CrNi 18 10
6	Anello premiguarnizione Gland nut ring	304 S.S.	1.4301		UNI X5CrNi 18 10
7	Coppia di tenuta superiore Top sealing	P.T.F.E.			
8	O-ring di tenuta intermedia O-ring	FKM			
9	Guarnizioni di tenuta laterale Seals	P.T.F.E.			
10	Guarnizioni di tenuta ghiera O-ring	P.T.F.E.			
11	Tenuta inferiore Bottom sealing	P.T.F.E.			
12	Ghiera* Ring nut*	Ottone Brass			EN 12164 CW614N
13	Sfera cromata lucida Ball chromium plated	Ottone Brass			EN 12164 CW614N
14	Corpo* Body*	Ottone Brass			EN 12165 CW617N

* Trattamento esterno: Nichelatura brillante Surface treatment: bright nickel plating

MISURA SIZE		DIMENSIONI DIMENSIONS									
DN [mm]	[inch]	A	B	C	D	øE	øF	øG	øH	L	øM
DN 15	1/2"	35	48	66	31	15	65	M12	M5	6	36
DN 20	3/4"	38	51	73	34	20	75	M12	M5	6	36
DN 25	1"	43	63,5	83	39,5	25	85	M12	M5	8	42
DN 32	1" 1/4	54	68	100	46	32	100	M16	M5	8	42
DN 40	1" 1/2	60	80	105	50	40	110	M16	M6	10	50
DN 50	2"	70	87	115	57	50	125	M16	M6	10	50



ITEM 115 OTTONE BRASS CON ATTUATORE WITH ACTUATOR



CON ATTUATORE PNEUMATICO DOPPIO EFFETTO WITH DOUBLE ACTING PNEUMATIC ACTUATOR

MISURA DN [mm]	SIZE [inch]	ARTICOLO ITEM CODE	ATTUATORE ACTUATOR	KIT montaggio Mounting KIT	L [mm]	H [mm]	Kg
DN 15	1/2"	DG115H064	DAN0015411S	KCNAHD5247	159,0	153,2	2,0
DN 20	3/4"	DG115H065	DAN0030411S	KCNAHD5247	174,2	163,2	2,5
DN 25	1"	DG115H066	DAN0030411S	KCNBCHD5249	174,2	178,7	3,2
DN 32	1 1/4"	DG115H067	DAN0045412S	KCNBCHD5249	188,5	190,5	4,5
DN 40	1 1/2"	DG115H068	DAN0060412S	KCNCCHD5251	198,0	200,4	5,8
DN 50	2"	DG115H069	DAN0106411S	KCNCCHD5252	237,0	220,3	8,1

CON ATTUATORE PNEUMATICO SEMPLICE EFFETTO WITH SPRING RETURN PNEUMATIC ACTUATOR

MISURA DN [mm]	SIZE [inch]	ARTICOLO ITEM CODE	ATTUATORE ACTUATOR	KIT montaggio Mounting KIT	L [mm]	H [mm]	Kg
DN 15	1/2"	SG115H064	SRN0015401S	KCNAHD5247	233,2	160,2	2,3
DN 20	3/4"	SG115H065	SRN0030402S	KCNACHD5248	258,8	184,4	3,5
DN 25	1"	SG115H066	SRN0030402S	KCNBCHD5250	258,8	190,0	4,0
DN 32	1 1/4"	SG115H067	SRN0053401S	KCNBCHD5288	304,2	209,3	6,3
DN 40	1 1/2"	SG115H068	SRN0060401S	KCNCCHD5252	338,5	217,0	7,5
DN 50	2"	SG115H069	SRN0090401S	KCNCDHD5253	393,7	254,5	11,6

Dimensionamento degli attuatori pneumatici fatto considerando una pressione minima di alimentazione pari a 5,6 barg. *Sizing of pneumatic actuators by minimum pressure rate 5,6 barg.*

A richiesta, articoli disponibili anche con attuatori elettrici.
On request, items available also with electric actuators.

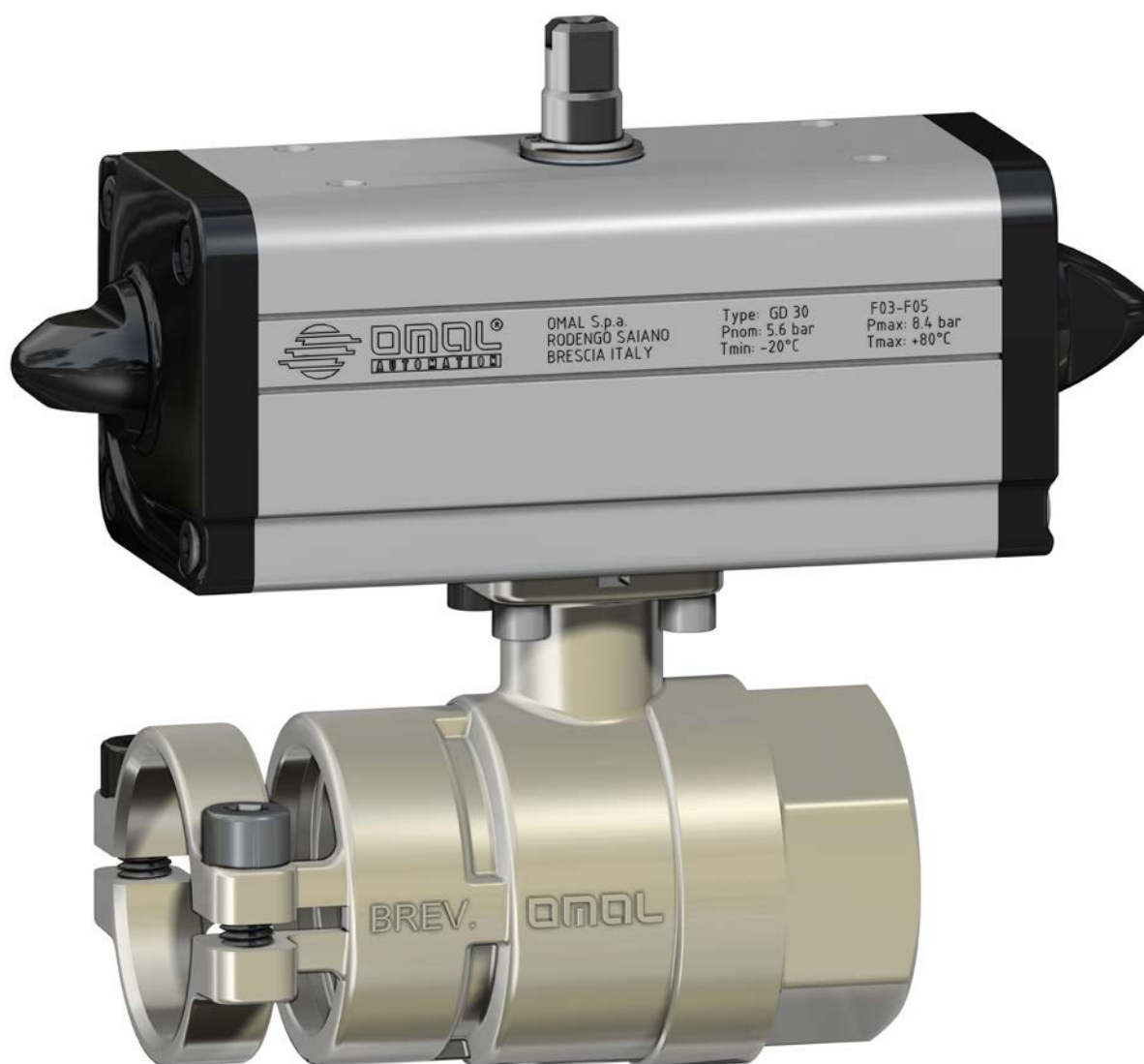




ITEM D122

VALVOLA A SFERA AD ATTACCO RAPIDO PER USO ZOOTECNICO,
PASSAGGIO INTEGRALE.

BALL VALVE WITH QUICK COUPLING FOR ZOOTECHNICAL USE, FULL BORE.



CARATTERISTICHE GENERALI:

- Temperatura di utilizzo: da -15°C a +100°C.
- Pressione di utilizzo: 10 bar max a temperatura ambiente.
- Fluido intercettato: aria, acqua, fluidi per alimentazione suina.
- Utilizzi: per impianti zootecnici.
- Estremità filettate: femmina UNI/ISO 228/1; rapido con bloccaggio tramite viti (sistema brevettato).

ESECUZIONI SPECIALI A RICHIESTA:

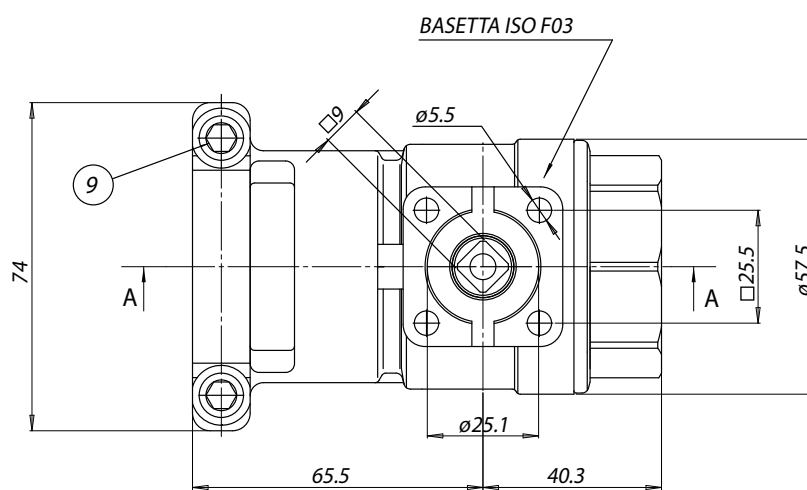
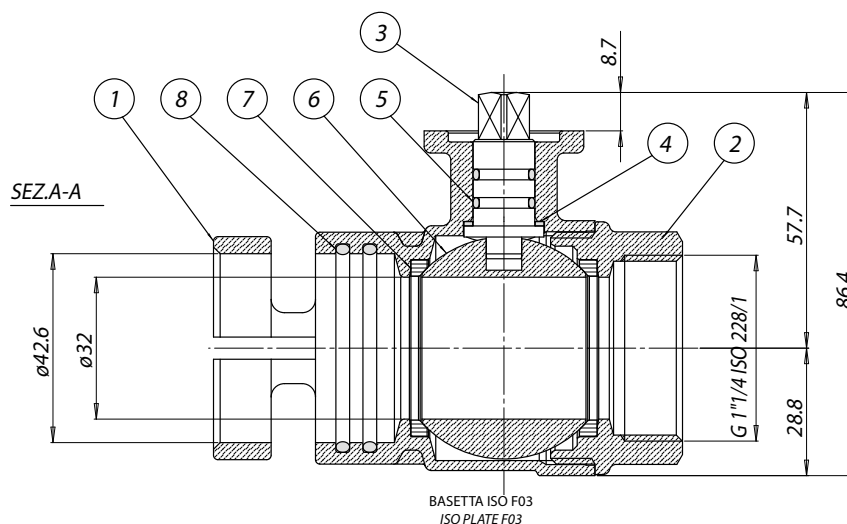
- Per altre applicazioni contattare il nostro ufficio commerciale.

GENERAL FEATURES:

- Operating Temperature: from -15°C to +100°C.
- Operating Pressure: 10 bar max at ambient temperature.
- Media: air, water, fluids for pigs feeding.
- Application: Zootechnical equipments.
- Threaded ends: female UNI/ISO 228/1; quick coupling with locking by screws (patented system).

ON REQUEST:

- For other applications, please contact our sales department.



MATERIALI MATERIALS

1	Corpo con manicotto rapido <i>Body with quick coupling *</i>	Ottone <i>Brass</i>	Nichelato <i>Nickel plated</i>	EN 12164 CW617N
2	Manicotto filettato femmina <i>Female threaded sleeve *</i>	Ottone <i>Brass</i>	Nichelato <i>Nickel plated</i>	EN 12164 CW617N
3	Albero <i>Shaft</i>	Ottone <i>Brass</i>		EN 12164 CW614N
4	Dischetto antifrizione <i>Antifriction disc</i>	P.T.F.E.		
5	O-ring stelo 1,78x11,11 (OR114) <i>Stem o-ring 1,78x11,11 (OR114)</i>	NBR		
6	Sfera <i>Ball</i>	Ottone cromatura dura <i>Brass chromium plated</i>		EN 12164 CW614N
7	Guarnizione di tenuta laterale <i>Seats</i>	P.T.F.E.		
8	O-ring tenuta tubo 2,62x42,52 (OR3168) <i>O-ring 2,62x42,52 (OR3168)</i>	NBR		
9	Viti M8x20 <i>Screws M8x20</i>	304 S.S.		

* Trattamento esterno: Nichelatura brillante * *Surface treatment: bright nickel plating*

DIMENSIONI DIMENSIONS

Valvola <i>Valve</i>	Attacco femmina Fil./Rapido (F/R) <i>Female threaded ends - quick coupling (F/R)</i>	V122N997
Diametro nominale <i>Nominal Diameter</i>	mm.	32
Filettatura manicotto femmina <i>Female threaded sleeve</i>	Gas	1" 1/4
Passaggio nominale ØP <i>Nominal bore ØP</i>	mm.	32
Peso <i>Weight</i>	Kg	1,7

VALVOLA ATTUATA CON ATTUATORE PNEUMATICO DOPPIO EFFETTO ACTUATED VALVE WITH DOUBLE ACTING PNEUMATIC ACTUATOR

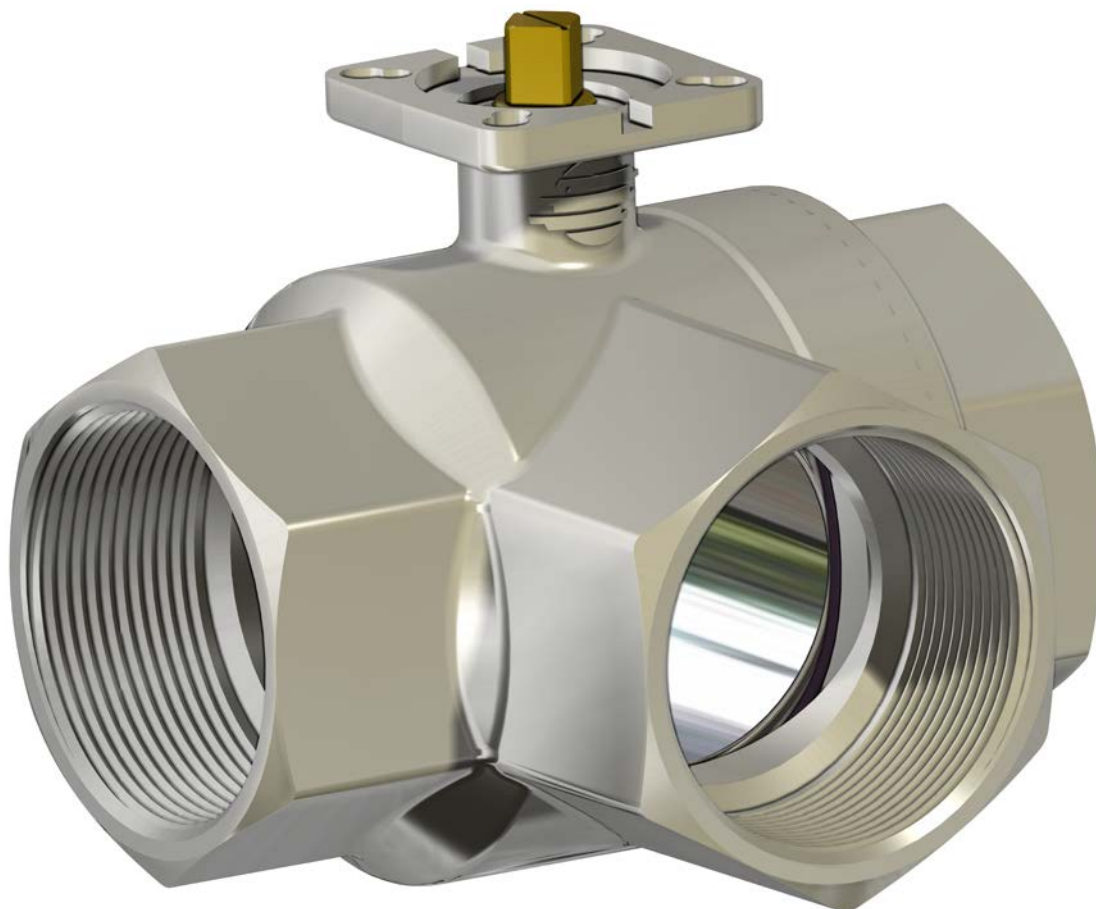
MISURA <i>SIZE</i>		ARTICOLO <i>ITEM CODE</i>	ATTUATORE <i>ACTUATOR</i>	KIT di montaggio <i>Mounting KIT</i>	Kg
DN [mm]	[inch]				
DN 32	1" 1/4	DG122H907	DAN0030411S	KCF045853	3,0



ITEM 153

VALVOLA A SFERA IN OTTONE 3 VIE FILETTATA PASSAGGIO INTEGRALE CON SFERA A "L".

3-WAY FULL-BORE THREADED-ENDS BRASS BALL VALVE, "L" PORT.



CARATTERISTICHE GENERALI:

- Costruita per utilizzi in media pressione con fluidi non aggressivi, la valvola funziona solo come deviatore. Non permette alcuna chiusura della mandata che é obbligatoriamente collegata al manicotto centrale, vedere schema.
- Temperatura di utilizzo: da -20°C a + 120°C.
- Pressione di utilizzo: 16 bar max, vedere diagramma.
- Fluido intercettato: aria, acqua, gas, olii, prodotti petroliferi e petrolchimici.
- Estremità filettate a norma ISO 7/1 e NPT.
- Flangia montaggio attuatore a norma ISO 5211.

ESECUZIONI SPECIALI A RICHIESTA:

- Per altre applicazioni contattare il nostro ufficio commerciale.

CERTIFICAZIONI:

- Conforme alla direttiva Europea 2014/68/UE "PED".
- Versione ATEX in conformità alla direttiva 2014/34/UE a richiesta.

GENERAL FEATURES:

- The valve is suitable for medium pressures with non aggressive fluids. The valve can be used as diverter only the inlet can be from central way only, see plane.
- Working temperature: from -20°C to + 120°C.
- Working pressure: 16 bar max, see diagram.
- Fluid range: air, water, oil, gas, petroliferous and petrochemical products.
- Threaded ends as per ISO 7/1 and NPT specifications.
- ISO 5211 flange connection.

ON REQUEST:

- For other applications, please contact our sales department.

CERTIFICATIONS:

- According to 2014/68/EU "PED".
- ATEX version in conformity with directive 2014/34/EU on request.



DIAGRAMMA PRESSIONE/TEMPERATURA PRESSURE/TEMPERATURE DIAGRAM

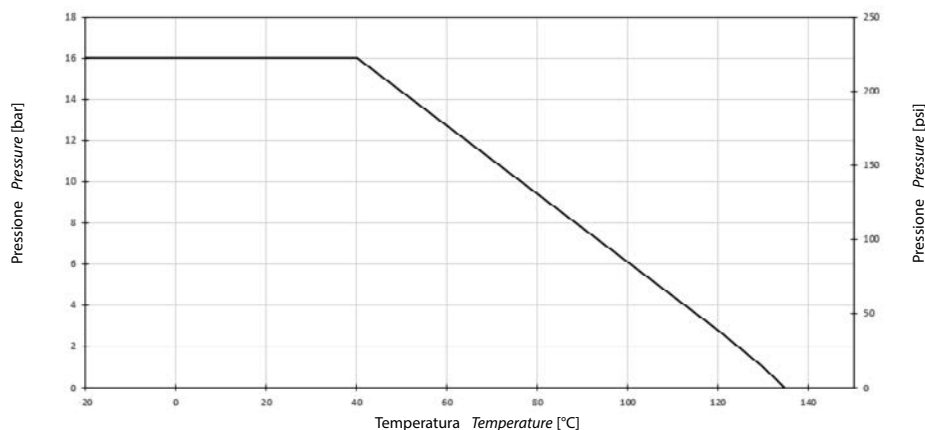
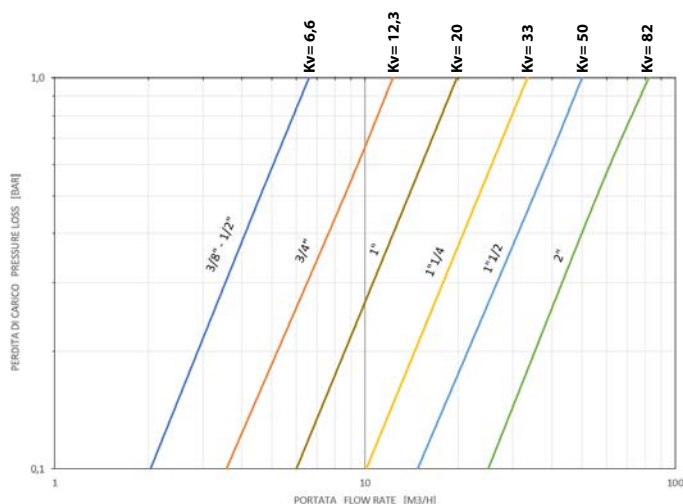


DIAGRAMMA PORTATA/PERDITA DI CARICO E COEFFICIENTE NOMINALE KV FLOW/PRESSURE LOSS DIAGRAM AND KV NOMINAL COEFFICIENT



Il valore Kv è il valore di portata in m³/h (con acqua a 15°C) che provoca la caduta di pressione di 1 bar.

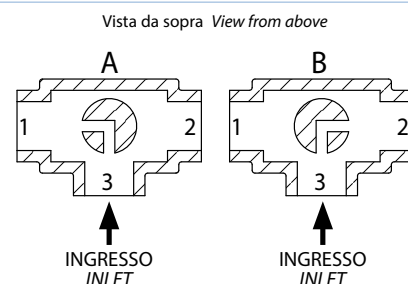
Kv is the coefficient, expressed in m³/h (with water at 15°C) causing a pressure loss of 1 bar.

Cv factor is the flow of water at 60°F in USgallons / minutes (gpm) at appressure drop of 1 lb/in².

SCHEMA SFERA A "L" PLAN FOR "L"

N.B.: Con attuatore **SR NORMALMENTE CHIUSO** la posizione di riposo della sfera deve essere la "A".
Con attuatore **SR NORMALMENTE APERTO** la posizione di riposo della sfera deve essere la "B".

N.B.: "A" must be the rest position of the ball with **SR FAIL CLOSE** actuator.
"B" must be the rest position of the ball with **SR FAIL OPEN** actuator.



COPPIE DI SPUNTO in Nm		BREAKAWAY TORQUES Nm					
MISURA SIZE	DN 10 3/8"	DN 15 1/2"	DN 20 3/4"	DN 25 1"	DN 32 1 1/4"	DN 40 1 1/2"	DN 50 2"
PN 16 bar	4	4	5	8	11	16	23

I valori della coppia possono variare in funzione della temperatura e del tipo di fluido. Considerare un fattore di sicurezza pari a 1,4. Con frequenti cicli di apertura e chiusura la coppia di manovra può diminuire sensibilmente rispetto a quella iniziale. Gli accoppiamenti attuatore/valvola, riportati nelle pagine seguenti, sono realizzati per valvole che intercettano fluidi liquidi o gassosi, puliti e per medie temperature. Per maggiori informazioni, o utilizzi diversi, consultare il nostro ufficio commerciale.

Torque can vary depending on temperature and type of fluid; a safety factor of 1.4 must be applied. Torque can drop on high frequency of operations. The actuator/valve sizing, indicated on the following pages, are based for valves to be used with liquids or gaseous fluids, clean, and for medium temperatures. For further information, or different uses please contact our sales department.



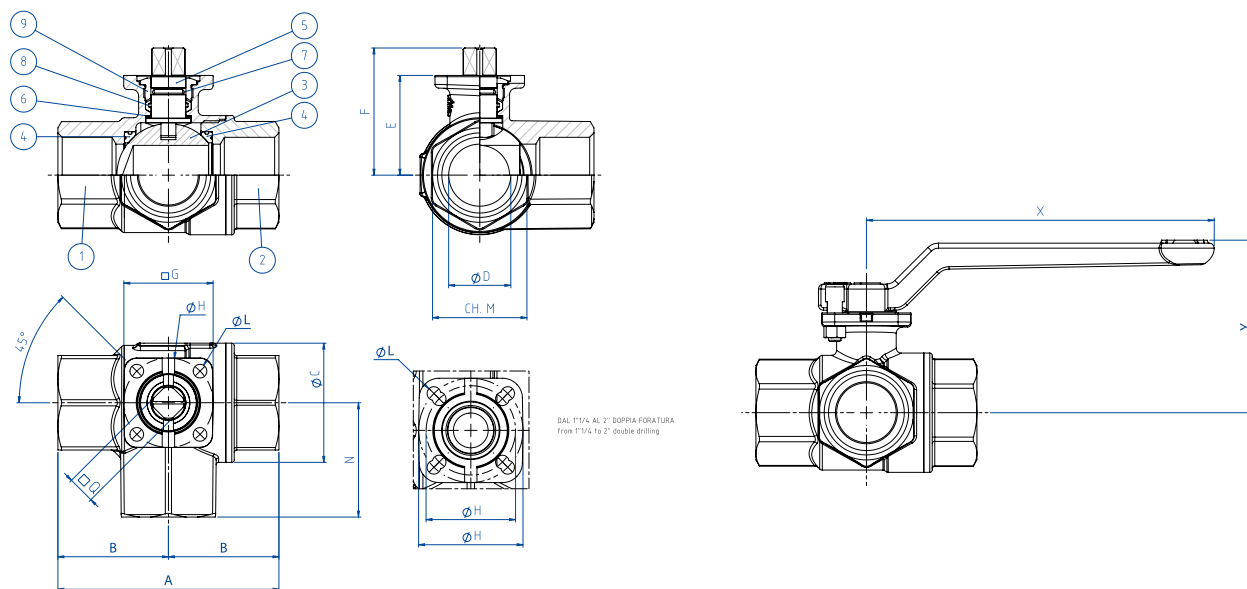
ITEM 153

OTTONE BRASS

ASSE LIBERO E CON LEVA FREE SHAFT AND WITH LEVER

ISO 7/1		ASSE LIBERO FREE SHAFT			CON LEVA WITH LEVER			
MISURA SIZE		Asse libero Free shaft	ATEX	Kg	Con Leva With lever	ATEX	Kg	Kit leva Lever kit
DN [mm]	[inch]							
DN 10	3/8"	V153N203	V153N203YX	0,38	L153N203	L153N203YX	0,45	KLV10103
DN 15	1/2"	V153N204	V153N204YX	0,37	L153N204	L153N204YX	0,44	KLV10103
DN 20	3/4"	V153N205G	V153N205GYX	0,44	L153N205G	L153N205GYX	0,51	KLV10105
DN 25	1"	V153N206G	V153N206GYX	0,77	L153N206G	L153N206GYX	0,84	KLV10105
DN 32	1" 1/4	V153N207G	V153N207GYX	1,2	L153N207G	L153N207GYX	1,27	KLV10109
DN 40	1" 1/2	V153N208G	V153N208GYX	1,75	L153N208G	L153N208GYX	1,82	KLV10109
DN 50	2"	V153N209	V153N209YX	3,85	L153N209	L153N209YX	3,92	KLV10109

NPT		ASSE LIBERO FREE SHAFT			CON LEVA WITH LEVER			
MISURA SIZE		Asse libero Free shaft	ATEX	Kg	Con Leva With lever	ATEX	Kg	Kit leva Lever kit
DN [mm]	[inch]							
DN 10	3/8"	V153N503	V153N503YX	0,38	L153N503	L153N503YX	0,45	KLV10103
DN 15	1/2"	V153N504	V153N504YX	0,37	L153N504	L153N504YX	0,44	KLV10103
DN 20	3/4"	V153N505G	V153N505GYX	0,44	L153N505G	L153N505GYX	0,51	KLV10105
DN 25	1"	V153N506G	V153N506GYX	0,77	L153N506G	L153N506GYX	0,84	KLV10105
DN 32	1" 1/4	V153N507G	V153N507GYX	1,2	L153N507G	L153N507GYX	1,27	KLV10109
DN 40	1" 1/2	V153N508G	V153N508GYX	1,75	L153N508G	L153N508GYX	1,82	KLV10109
DN 50	2"	V153N509	V153N509YX	3,85	L153N509	L153N509YX	3,92	KLV10109



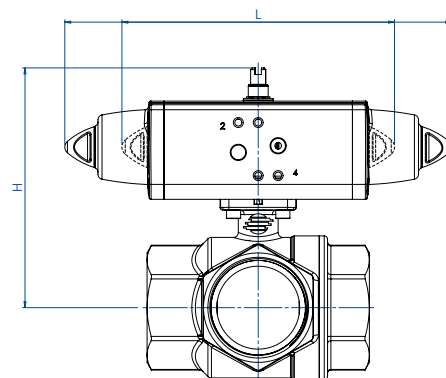
MATERIALI MATERIALS			
1	Corpo* Body*	Ottone Brass	EN 12165 CW617N
2	Manicotto femmina* Threaded ends*	Ottone Brass	EN 12165 CW617N
3	Sfera Ball	Ottone cromata dura Brass chromium plated	EN 12164 CW614N
4	Guarnizioni di tenuta laterale Seals	P.T.F.E.	
5	Stelo Shaft	Ottone Brass	EN 12164 CW614N
6	Anelli antifrizione Antifriction rings	P.T.F.E.	
7	O-ring	FKM	
8	Guarnizione tenuta stelo Shaft seal	P.T.F.E.	
9	Premiguarnizione* Gland nut*	Ottone Brass	EN 12164 CW614N

* Trattamento esterno: Nichelatura brillante * Surface treatment: bright nickel plating

MISURA SIZE		ØD	A		B		ØC	N	□Q	E	F	□G	ØH	ISO	ØL	ch.M	X	Y
DN [mm]	[inch]		ISO 7/1	NPT	ISO 7/1	NPT												
DN 10	3/8"	10	69	62	33	31	31,8	33	9	30,5	38,4	36	36	F03	5,5	25	140	58,5
DN 15	1/2"	15	69	62	33	31	31,8	33	9	30,5	38,4	36	36	F03	5,5	25	140	58,5
DN 20	3/4"	20	77	68	38	34	40	38	11	36,3	47,1	36	36	F03	5,5	31	140	64,5
DN 25	1"	25	89	79,5	46	39,8	48	46	11	40,2	50,9	36	36	F03	5,5	38	140	68,5
DN 32	1" 1/4	32	103	92	54	46	60	54	11	51,5	62,5	42	36/42	F03/F04	5,5	47	140	80,0
DN 40	1" 1/2	40	114	102	61	51	70,6	61	11	58	69	42	36/42	F03/F04	5,5	54	140	86,0
DN 50	2"	50	134	116	73	58	86,5	73	11	65,3	76,3	46	42/50	F04/F05	5,5/6,5	66	140	93,5



ITEM 153 OTTONE BRASS CON ATTUATORE WITH ACTUATOR



CON ATTUATORE PNEUMATICO DOPPIO EFFETTO WITH DOUBLE ACTING PNEUMATIC ACTUATOR

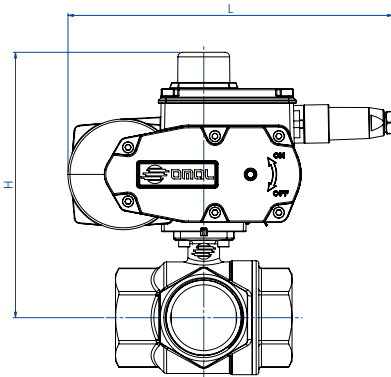
MISURA	SIZE	ARTICOLO ISO 7/1	ARTICOLO NPT	ATTUATORE	KIT	L	H	Kg
DN [mm]	[inch]	ISO 7/1 ITEM CODE	NPT ITEM CODE	ACTUATOR	mountaggio Mounting KIT	[mm]	[mm]	
DN 10	3/8"	D153H003	D153H043	DA008401S	KCF032558	70,0	88,0	0,7
DN 15	1/2"	D153H004	D153H044	DA008401S	KCF032558	70,0	88,0	0,7
DN 20	3/4"	DG153H005	DG153H045	DAN0015411S	KCF032558	159,0	103,3	1,2
DN 25	1"	DG153H006	DG153H046	DAN0015411S	KCF032558	159,0	107,3	1,5
DN 32	1" 1/4	DG153H007	DG153H047	DAN0030411S	KCF032558	174,2	129,8	2,2
DN 40	1" 1/2	DG153H008	DG153H048	DAN0030411S	KCF032558	174,2	136,8	2,8
DN 50	2"	DG153H009	DG153H049	DAN0045412S	KCF042559	188,5	149,4	5,1

CON ATTUATORE PNEUMATICO SEMPLICE EFFETTO WITH SPRING RETURN PNEUMATIC ACTUATOR

MISURA	SIZE	ARTICOLO ISO 7/1	ARTICOLO NPT	ATTUATORE	KIT	L	H	Kg
DN [mm]	[inch]	ISO 7/1 ITEM CODE	NPT ITEM CODE	ACTUATOR	mountaggio Mounting KIT	[mm]	[mm]	
DN 10	3/8"	SG153H003	SG153H043	SRN0015401S	KCF042565	233,2	108,8	1,6
DN 15	1/2"	SG153H004	SG153H044	SRN0015401S	KCF042565	233,2	108,8	1,6
DN 20	3/4"	SG153H005	SG153H045	SRN0015401S	KCF032558	233,2	115,8	1,7
DN 25	1"	SG153H006	SG153H046	SRN0015401S	KCF032558	233,2	119,8	2,0
DN 32	1" 1/4	SG153H007	SG153H047	SRN0030401S	KCF055309	258,8	141,0	3,1
DN 40	1" 1/2	SG153H008	SG153H048	SRN0030401S	KCF055309	258,8	148,0	3,7
DN 50	2"	SG153H009	SG153H049	SRN0053401S	KCF075310	304,2	168,3	5,9

Dimensionamento degli attuatori pneumatici fatto considerando una pressione minima di alimentazione pari a 5,6 barg. Sizing of pneumatic actuators by minimum pressure rate 5,6 barg.

VERSIONE ATEX: Aggiungere "YX" alla fine del codice articolo. ATEX VERSION: Add 'YX' at the end of the item code.



CON ATTUATORE ELETTRICO ON-OFF (230 Vac) WITH ON-OFF ELECTRIC ACTUATOR

MISURA	SIZE	ARTICOLO ISO 7/1	ARTICOLO NPT	ATTUATORE	KIT	L	H	Kg
DN [mm]	[inch]	ISO 7/1 ITEM CODE	NPT ITEM CODE	ACTUATOR	mountaggio Mounting KIT	[mm]	[mm]	
DN 10	3/8"	C153A5E03	C153A5E43	EA0035A5C000	KCF052003	250,0	149,0	3,9
DN 15	1/2"	C153A5E04	C153A5E44	EA0035A5C000	KCF052003	250,0	149,0	3,9
DN 20	3/4"	CG153A5E05	CG153A5E45	EA0035A5C000	KCF055309	250,0	173,3	4,0
DN 25	1"	CG153A5E06	CG153A5E46	EA0035A5C000	KCF055309	250,0	177,2	4,4
DN 32	1" 1/4	CG153A5E07	CG153A5E47	EA0035A5C000	KCF055309	250,0	188,5	4,8
DN 40	1" 1/2	CG153A5E08	CG153A5E48	EA0035A5C000	KCF055309	250,0	195,0	5,4
DN 50	2"	C153A5G09	C153A5G49	EA0070A5C000	KCF052004	250,0	202,3	7,5

CON ATTUATORE ELETTRICO MODULANTE (230 VAC) WITH ROTARY MODULAR TYPE ELECTRIC ACTUATOR

MISURA	SIZE	ARTICOLO ISO 7/1	ARTICOLO NPT	ATTUATORE	KIT	L	H	Kg
DN [mm]	[inch]	ISO 7/1 ITEM CODE	NPT ITEM CODE	ACTUATOR	mountaggio Mounting KIT	[mm]	[mm]	
DN 10	3/8"	M15316C03	M15316C43	AM160002	KCF052003	165,8	149,0	3,1
DN 15	1/2"	M15316C04	M15316C44	AM160002	KCF052003	165,8	149,0	3,1
DN 20	3/4"	MG15316F05	MG15316F45	AM160005	KCNACDV5421	207,5	260,0	6,0
DN 25	1"	MG15316F06	MG15316F46	AM160005	KCNACDV5421	207,5	263,5	6,2
DN 32	1" 1/4	MG15316F07	MG15316F47	AM160005	KCNACDV5421	207,5	274,0	6,7
DN 40	1" 1/2	MG15316F08	MG15316F48	AM160005	KCNACDV5421	207,5	280,5	7,2
DN 50	2"	M15316F09	M15316F49	AM160005	KCE281943	207,5	228,0	8,3

Codici con attuatore elettrico 230 Vac. Items with electric actuator 230 Vac.

Versione ATEX non disponibile per attuatori elettrici. ATEX version not available for electric actuator.



ITEM 160-161

VALVOLA A SFERA IN OTTONE 3 VIE 4 GUARNIZIONI - FILETTATA CON SFERA A "T" O "L".

3 WAY 4 SEALS BRASS BALL VALVE - THREADED-ENDS "T" OR "L" PORT.

ITEM 160

Valvola con sfera a "T"

ITEM 160

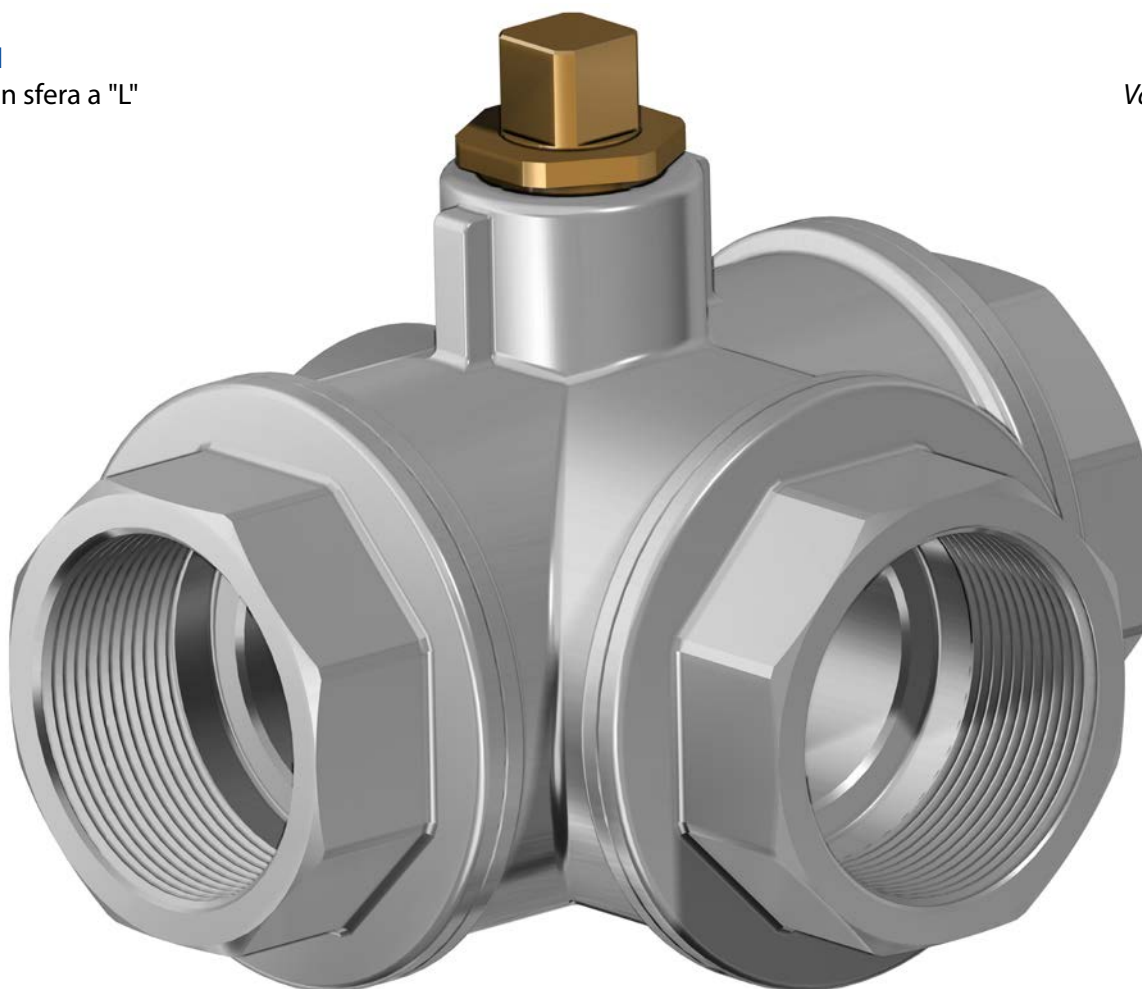
Valve "T" port

ITEM 161

Valvola con sfera a "L"

ITEM 161

Valve "L" port



CARATTERISTICHE GENERALI:

- **La valvola con 4 guarnizioni sulla sfera, permette la deviazione del flusso in tutte le direzioni**, vedere schema.
- Temperatura di utilizzo: da -15°C a + 120°C.
- Pressione di utilizzo: vedi tabella.
- Fluido intercettato: aria, acqua, gas, olii, prodotti petroliferi e petrolchimici, vuoto, fluidi non aggressivi.
- Estremità filettate a norma ISO 7/1.

GENERAL FEATURES:

- **Valve with 4 ball seats. Inlet from any of the 3 ends**, see plane.
- Working temperature: from -15°C to + 120°C.
- Working pressure: see table.
- Fluid range: water, air, gas, vacuum, petroleum and petrochemical products. Not suitable for aggressive media.
- Threaded ends as per ISO 7/1 specifications.

ESECUZIONI SPECIALI A RICHIESTA:

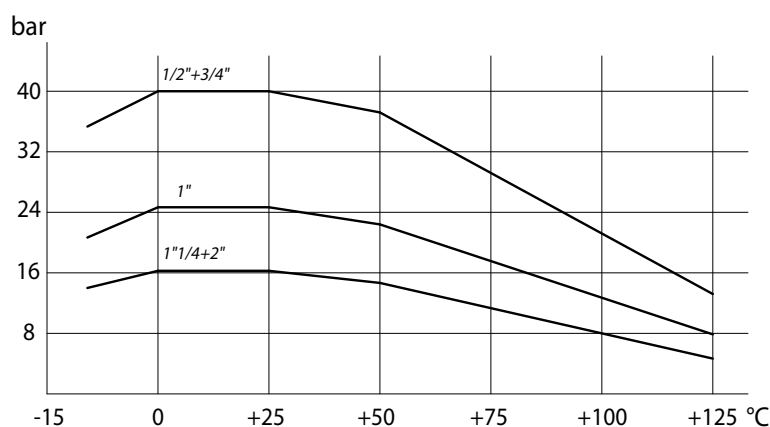
- Per altre applicazioni contattare il nostro ufficio commerciale.

ON REQUEST:

- For other applications, please contact our sales department.



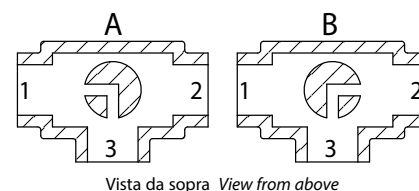
DIAGRAMMA PRESSIONE/TEMPERATURA PRESSURE/TEMPERATURE DIAGRAM



SCHEMA SFERA A "L" PLAN FOR "L" PORT

N.B.: Con attuatore **SR NORMALMENTE CHIUSO** la posizione di riposo della sfera deve essere la "A".
Con attuatore **SR NORMALMENTE APERTO** la posizione di riposo della sfera deve essere la "B".

N.B.: "A" must be the rest position of the ball with **SR FAIL CLOSE** actuator.
"B" must be the rest position of the ball with **SR FAIL OPEN** actuator.



SCHEMA SFERA A "T" PLAN FOR "T" PORT

Con l'attuatore sono possibili solo due posizioni con rotazione di 90°: la configurazione della sfera deve essere sempre comunicata al nostro ufficio commerciale.

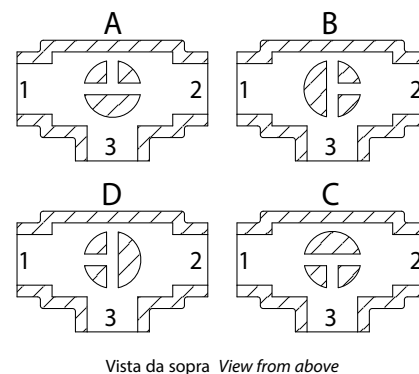
N.B.: Con attuatore **SR NORMALMENTE CHIUSO** scegliere la posizione di riposo della sfera; alimentando, l'attuatore ruota in senso antiorario.

Con attuatore **SR NORMALMENTE APERTO** scegliere la posizione di riposo della sfera; alimentando, l'attuatore ruota in senso orario.

With actuator 2 positions with 90° rotation are possible only: the configuration of the ball must always be communicated at our sales department.

N.B.: Choose the rest position of the ball with **SR FAIL CLOSE** actuator; whenever supplied with air, actuator turns in an anticlockwise direction.

Choose the rest position of the ball with **SR FAIL OPEN** actuator; whenever supplied with air, actuator turns in a clockwise direction.



COPPIE DI SPUNTO in Nm BREAKAWAY TORQUES Nm

MISURA SIZE	DN 15 1/2"	DN 20 3/4"	DN 25 1"	DN 32 1 1/4"	DN 40 1 1/2"	DN 50 2"
PN 16 bar				31	43	74
PN 25 bar			20			
PN 40 bar	8	14				

I valori della coppia possono variare in funzione della temperatura e del tipo di fluido. Considerare un fattore di sicurezza pari a 1,4.

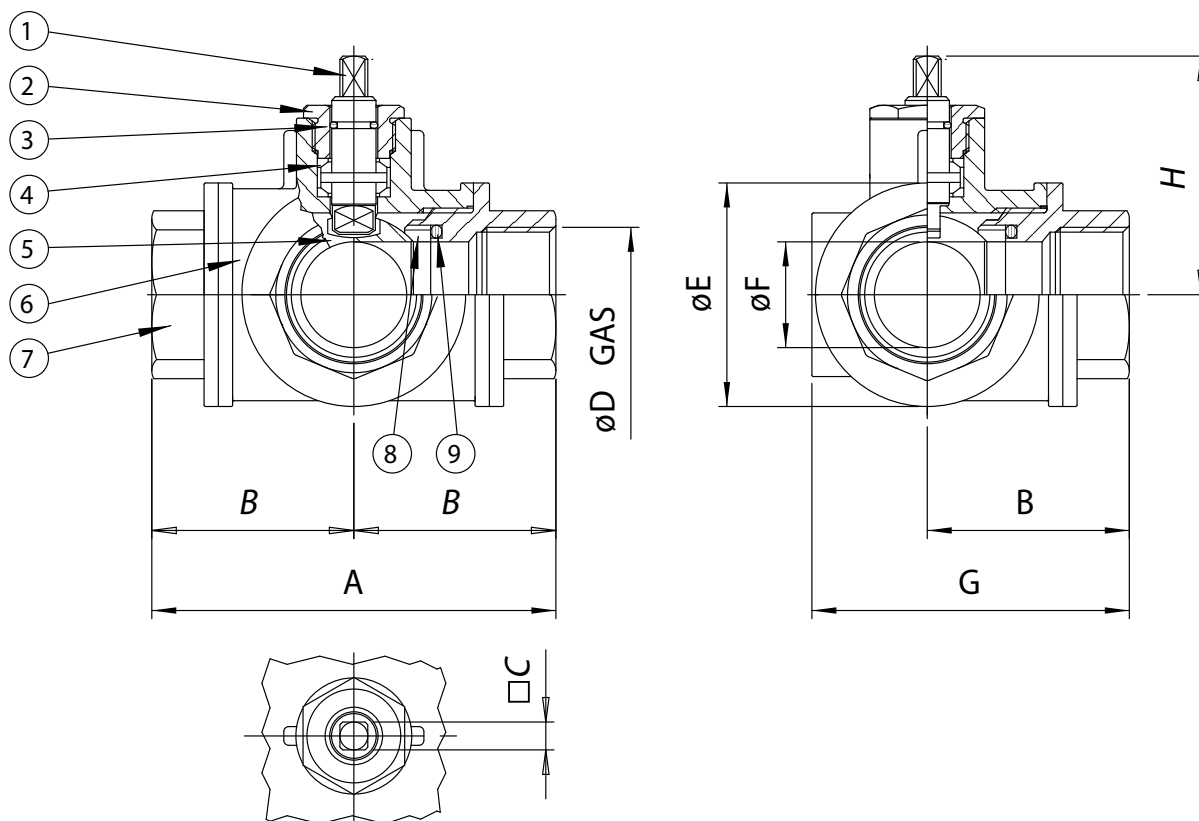
Con frequenti cicli di apertura e chiusura la coppia di manovra può diminuire sensibilmente rispetto a quella iniziale. Gli accoppiamenti attuatore/valvola, riportati nelle pagine seguenti, sono realizzati per valvole che intercettano fluidi liquidi o gassosi, puliti e per medie temperature. Per maggiori informazioni, o utilizzi diversi, consultare il nostro ufficio commerciale.

Torque can vary depending on temperature and type of fluid; a safety factor of 1.4 must be applied. Torque can drop on high frequency of operations. The actuator/valve sizing, indicated on the following pages, are based for valves to be used with liquids or gaseous fluids, clean, and for medium temperatures. For further information, or different uses please contact our sales department.



ITEM 160-161
OTTONE BRASS
ASSE LIBERO E CON LEVA FREE SHAFT AND WITH LEVER

MISURA SIZE		ASSE LIBERO FREE SHAFT			CON LEVA WITH LEVER			Kit guarnizioni Seals kit
DN [mm]	[inch]	Asse libero "T" port Free shaft "T" port	Asse libero "L" port Free shaft "L" port	Kg	Con Leva "T" port With lever "T" port	Con Leva "L" port With lever "L" port	Kg	
DN 15	1/2"	V160N204	V161N204	0,6	L160N204	L161N204	0,67	KGBV6704
DN 20	3/4"	V160N205	V161N205	1,1	L160N205	L161N205	1,18	KGBV6705
DN 25	1"	V160N206	V161N206	1,6	L160N206	L161N206	1,67	KGBV6706
DN 32	1" 1/4	V160N207	V161N207	2,4	L160N207	L161N207	2,47	KGBV6707
DN 40	1" 1/2	V160N208	V161N208	3,4	L160N208	L161N208	3,47	KGBV6708
DN 50	2"	V160N209	V161N209	5,5	L160N209	L161N209	5,57	KGBV6709



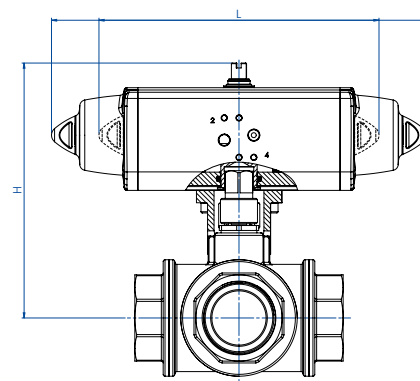
MATERIALI MATERIALS			
1	Stelo* Shaft*	Ottone Brass	EN 12164 CW614N
2	Premiguarnizione* Gland nut*	Ottone Brass	EN 12164 CW614N
3	O-ring	FKM	
4	Coppia di tenuta superiore Seals	P.T.F.E.	
5	Sfera Ball	Ottone cromata lucida Brass chromium plated	EN 12164 CW614N
6	Corpo* Body*	Ottone Brass	EN 12165 CW617N
7	Manicotto femmina* Threaded end*	Ottone Brass	EN 12165 CW617N
8	Guarnizioni di tenuta laterale Seals	P.T.F.E.	
9	O-ring di tenuta laterale O-ring	FKM	

* Trattamento esterno: Nichelatura brillante * Surface treatment: bright nickel plating

MISURA SIZE		DIMENSIONI DIMENSIONS							
DN [mm]	[inch]	A	B	C	øD	øE	øF	G	H
DN 15	1/2"	80	40	7	1/2"	38	13	61	43,2
DN 20	3/4"	96	48	10	3/4"	48	18	74	52,9
DN 25	1"	113	56,5	10	1"	58	23	88	57,3
DN 32	1" 1/4	130	65	14	1" 1/4	67	29	99	74,5
DN 40	1" 1/2	147	73,5	14	1" 1/2	78	35	114	79
DN 50	2"	169	84,5	17	2"	95	44	132	94,2



ITEM 160-161 OTTONE BRASS CON ATTUATORE WITH ACTUATOR



CON ATTUATORE PNEUMATICO DOPPIO EFFETTO WITH DOUBLE ACTING PNEUMATIC ACTUATOR

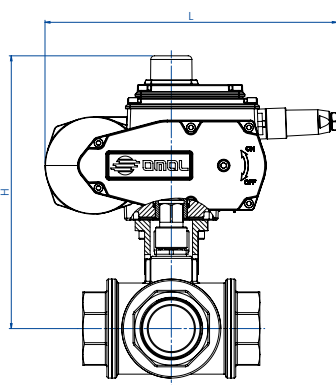
MISURA DN [mm]	SIZE [inch]	ARTICOLO ITEM CODE	ATTUATORE ACTUATOR	KIT montaggio Mounting KIT	L [mm]	H [mm]	Kg
DN 15	1/2"	DG16*H004	DAN0015411S	KCF042970	159,0	124,0	1,4
DN 20	3/4"	DG16*H005	DAN0030411S	KCF042372	174,2	143,3	2,1
DN 25	1"	DG16*H006	DAN0030411S	KCF042372	174,2	149,3	2,7
DN 32	1" 1/4	DG16*H007	DAN0045412S	KCF042434	188,5	167,1	3,8
DN 40	1" 1/2	DG16*H008	DAN0060412S	KCF052013	198,0	176,0	5,0
DN 50	2"	DG16*H009	DAN0120411S	KCF071714	244,1	208,6	8,2

CON ATTUATORE PNEUMATICO SEMPLICE EFFETTO WITH SPRING RETURN PNEUMATIC ACTUATOR

MISURA DN [mm]	SIZE [inch]	ARTICOLO ITEM CODE	ATTUATORE ACTUATOR	KIT montaggio Mounting KIT	L [mm]	H [mm]	Kg
DN 15	1/2"	SG16*H004	SRN0015401S	KCF042970	233,2	132,8	2,0
DN 20	3/4"	SG16*H005	SRN0030402S	KCF052010	258,8	154,5	3,3
DN 25	1"	SG16*H006	SRN0030402S	KCF052010	258,8	160,5	3,9
DN 32	1" 1/4	SG16*H007	SRN0053401S	KCF075677	30,2	185,9	6,3
DN 40	1" 1/2	SG16*H008	SRN0060401S	KCF075677	338,5	192,6	7,7
DN 50	2"	SG16*H009	SRN0120401S	KCF103401	409,6	249,5	14,3

* = 0 valvola con sfera a "T" (articolo 160) - "T" port (item 160); * = 1 valvola con sfera a "L" (articolo 161) - "L" port (item 161)

Dimensionamento degli attuatori pneumatici fatto considerando una pressione minima di alimentazione pari a 5,6 barg. Sizing of pneumatic actuators by minimum pressure rate 5,6 barg.



CON ATTUATORE ELETTRICO ON-OFF (230 Vac) WITH ON-OFF ELECTRIC ACTUATOR

MISURA DN [mm]	SIZE [inch]	ARTICOLO ITEM CODE	ATTUATORE ACTUATOR	KIT montaggio Mounting KIT	L [mm]	H [mm]	Kg
DN 15	1/2"	C16*A5E04	EA0035A5C000	KCF052011	250,0	106,0	4,2
DN 20	3/4"	C16*A5E05	EA0035A5C000	KCF052010	250,0	203,0	4,7
DN 25	1"	C16*A5E06	EA0035A5C000	KCF052010	250,0	209,0	5,2
DN 32	1" 1/4	C16*A5G07	EA0070A5C000	KCF052013	250,0	223,0	6,0
DN 40	1" 1/2	C16*A5G08	EA0070A5C000	KCF052013	250,0	236,0	7,0
DN 50	2"	C16*A5I09	EA0130A5C000	KCF071714	280,0	262,5	13,0

CON ATTUATORE ELETTRICO MODULANTE (230 VAC) WITH ROTARY MODULAR TYPE ELECTRIC ACTUATOR

MISURA DN [mm]	SIZE [inch]	ARTICOLO ITEM CODE	ATTUATORE ACTUATOR	KIT montaggio Mounting KIT	L [mm]	H [mm]	Kg
DN 15	1/2"	M16*16C04	AM160002	KCF052011	165,8	175,5	3,5
DN 20	3/4"	M16*16F05	AM160005	KCE282016	207,5	229,5	6,6
DN 25	1"	M16*16F06	AM160005	KCE282016	207,5	235,5	7,1
DN 32	1" 1/4	M16*16F07	AM160005	KCE282017	207,5	249,5	7,9
DN 40	1" 1/2	M16*16L08	AM160020	KCE362078	256,5	284,0	13,6
DN 50	2"	M16*16L09	AM160020	KCE362018	256,5	290,0	15,8

* = 0 valvola con sfera a "T" (articolo 160) - "T" port (item 160); * = 1 valvola con sfera a "L" (articolo 161) - "L" port (item 161)

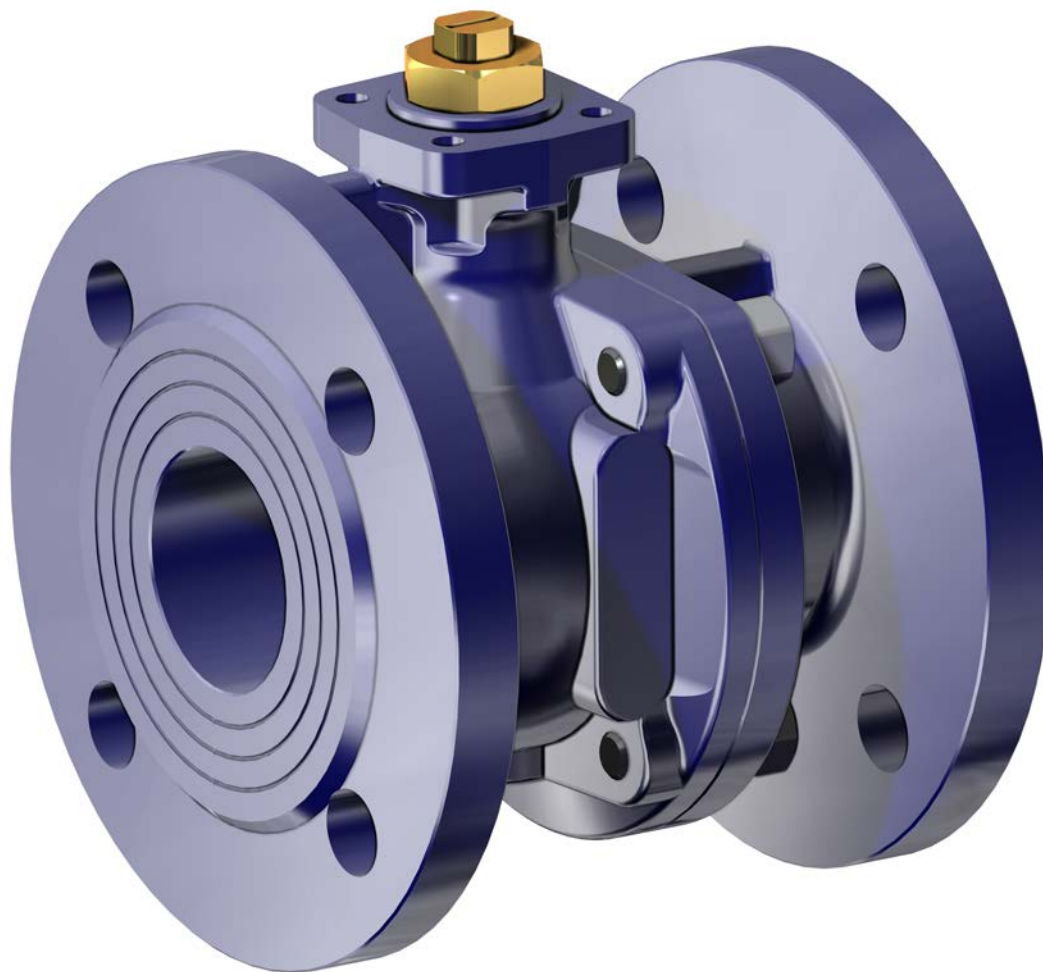
Codici con attuatore elettrico 230 Vac. Items with electric actuator 230 Vac.

Versione ATEX non disponibile per attuatori elettrici. ATEX version not available for electric actuator.



ITEM 216

VALVOLA A SFERA IN GHISA 2 VIE FLANGIATA PASSAGGIO INTEGRALE.
2-WAY FULL-BORE FLANGED CAST IRON BALL VALVE.



CARATTERISTICHE GENERALI:

- Flange: EN 1092/2 PN16.
- Scartamento EN558/1 (ISO 5752).
- Temperatura di esercizio: da -10°C a +70°C.
- Pressione di esercizio: max. 16 Bar (10 Bar come fine linea) VEDI DIAGRAMMA.
- Fluido intercettato: gas di città, gas liquidi, combustibili gassosi secondo le norme UNI-CIG 7129 e DIN-DVGW tabella G 260/I per gas.

ESECUZIONI SPECIALI A RICHIESTA:

- PN 6 - PN 10.
- Per altre applicazioni contattare il nostro ufficio commerciale.

CERTIFICAZIONI:

- Omologazione DIN-DVGW per intercettazione gas combustibili tab. G260.

GENERAL FEATURES:

- Flanges: EN 1092/2 PN16.
- Gauge as per EN558/1 (ISO 5752).
- Working temperature: from -10°C to +70°C.
- Working pressure: 16 Bar max (10 Bar for end of line application) SEE DIAGRAM.
- Fluid range: gas, liquid gases and gaseous fuels as per UNI-CIG 7129 and DIN-DVGW G 260/I table for gas.

ON REQUEST:

- PN 6 - PN 10.
- For other applications, please contact our sales department.

CERTIFICATIONS:

- DIN-DVGW approval for combustible gas tab. G260.



DIAGRAMMA PRESSIONE/TEMPERATURA
PRESSURE/TEMPERATURE DIAGRAM

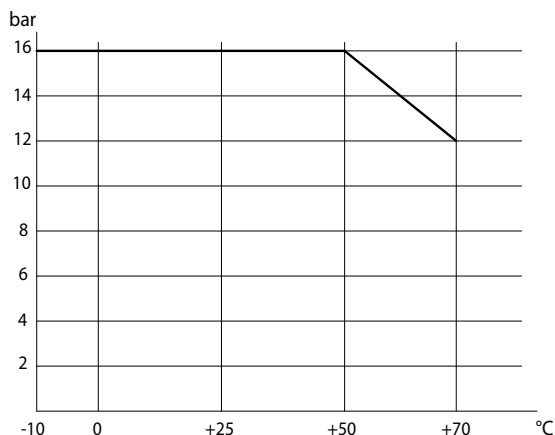
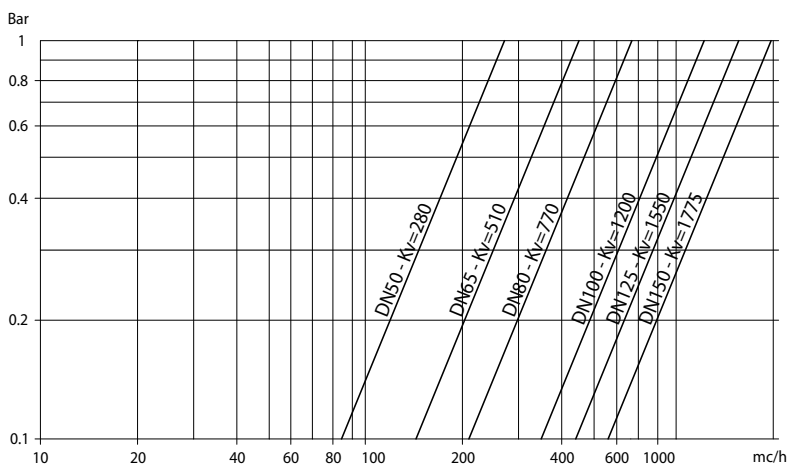


DIAGRAMMA PORTATA/PERDITA DI CARICO E COEFFICIENTE NOMINALE Kv
FLOW/PRESSURE LOSS DIAGRAM AND Kv NOMINAL COEFFICIENT



Il valore Kv è il valore di portata in m³/h (con acqua a 15°C) che provoca la caduta di pressione di 1 bar.

Kv is the coefficient, expressed in m³/h (with water at 15°C) causing a pressure loss of 1 bar.

CAST IRON BALL VALVES

	COPPIE DI SPUNTO in Nm		BREAKAWAY TORQUES Nm			
MISURA SIZE	DN 50 2"	DN 65 2"1/2	DN 80 3"	DN 100 4"	DN 125 5"	DN 150 6"
PN 16 bar	38	68	112	171	298	445

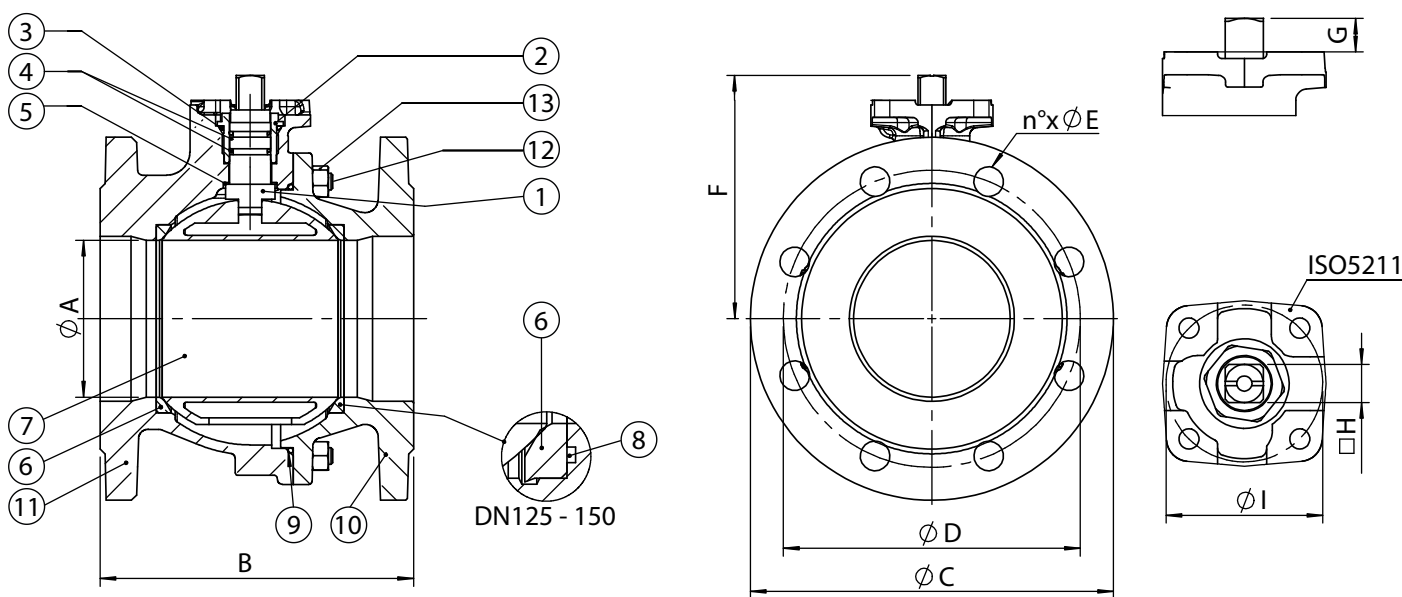
I valori della coppia possono variare in funzione della temperatura e del tipo di fluido. Considerare un fattore di sicurezza pari a 1,4. Con frequenti cicli di apertura e chiusura la coppia di manovra può diminuire sensibilmente rispetto a quella iniziale. Gli accoppiamenti attuatore/valvola, riportati nelle pagine seguenti, sono realizzati per valvole che intercettano fluidi liquidi o gassosi, puliti e per medie temperature. Per maggiori informazioni, o utilizzi diversi, consultare il nostro ufficio commerciale.

Torque can vary depending on temperature and type of fluid; a safety factor of 1.4 must be applied. Torque can drop on high frequency of operations. The actuator/valve sizing, indicated on the following pages, are based for valves to be used with liquids or gaseous fluids, clean, and for medium temperatures. For further information, or different uses please contact our sales department.



ITEM 216 GHISA CAST IRON ASSE LIBERO E CON LEVA FREE SHAFT AND WITH LEVER

MISURA SIZE		ASSE LIBERO FREE SHAFT	CON LEVA WITH LEVER
DN [mm]	[inch]	Asse libero Free shaft	Con Leva With lever
DN 50	2"	V216G069	L216G069
DN 65	2" 1/2	V216G070	L216G070
DN 80	3"	V216G071	L216G071
DN 100	4"	V216G072	L216G072
DN 125	5"	V216G073	L216G073
DN 150	6"	V216G074	L216G074



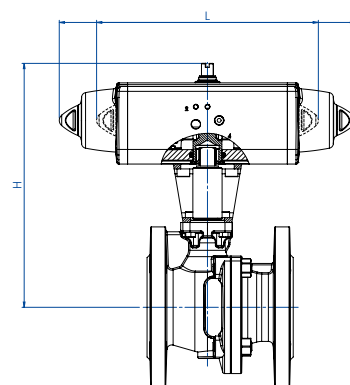
MATERIALI MATERIALS	
1	Stelo Shaft Ottone cromato Brass chrome plated CuZn40Pb2
2	Ghiera Ring nut Ottone cromato Brass chrome plated CuZn40Pb2
3	O-Ring di tenuta superiore Top O-ring NBR
4	O-Ring di tenuta stelo Shaft O-ring NBR
5	Anello antifrizione Sliding ring P.T.F.E.
6	Guarnizioni di tenuta laterale Seals P.T.F.E.
7	Sfera Ball Ottone Brass CuZn40Pb2
8	O-ring O-ring NBR
9	O-ring di tenuta corpo Body o-ring NBR
10	Flangia Flange Ghisa sferoidale Ductile iron EN GJS 400-15
11	Corpo Body Ghisa sferoidale Ductile iron EN GJS 400-15
12	Tirante Tie-rod Acciaio al carbonio zincato Carbon steel galvanized
13	Dado di bloccaggio Lock nut Acciaio al carbonio zincato Carbon steel galvanized

DIMENSIONI DIMENSIONS											
MISURA SIZE	DN [mm]	[inch]	øA	B	øC	øD	øE	F	G	□H	øI
DN 50	2"		50	150	165	125	4x18	100,5	13,5	14	50
DN 65	2" 1/2		63	170	185	145	4x18	108,5	13,5	14	50
DN 80	3"		76	180	200	160	8x18	133	15	17	70
DN 100	4"		95	190	220	180	8x18	147,5	15	17	70
DN 125	5"		120	200	250	210	8x18	186	21	22	102
DN 150	6"		145	210	285	240	8x22	203,5	21	22	102



ITEM 216

GHISA CAST IRON CON ATTUATORE WITH ACTUATOR



CON ATTUATORE PNEUMATICO DOPPIO EFFETTO WITH DOUBLE ACTING PNEUMATIC ACTUATOR

MISURA DN [mm]	SIZE [inch]	ARTICOLO ITEM CODE	ATTUATORE ACTUATOR	KIT montaggio Mounting KIT	L [mm]	H [mm]	Kg
DN 50	2"	DG216H069	DAN0060412S	KCNCCLD5254	198,0	212,4	11,4
DN 65	2" 1/2	DG216H070	DAN0120411S	KCNCCLD5255	244,1	229,0	14,0
DN 80	3"	DG216H071	DAN0180411S	KCNDDL5257	289,9	275,5	21,5
DN 100	4"	DG216H072	DAN0240411S	KCNDDL5257	313,6	281,1	25,3
DN 125	5"	DG216H073	DAN0480411S	KCNEELD5259	387,6	350,0	39,8
DN 150	6"	DG216H074	DAN0720411S	KCNEELD5259	433,1	363,0	52,7

CON ATTUATORE PNEUMATICO SEMPLICE EFFETTO WITH SPRING RETURN PNEUMATIC ACTUATOR

MISURA DN [mm]	SIZE [inch]	ARTICOLO ITEM CODE	ATTUATORE ACTUATOR	KIT montaggio Mounting KIT	L [mm]	H [mm]	Kg
DN 50	2"	SG216H069	SRN0060401S	KCNCCLD5255	338,5	212,4	13,2
DN 65	2" 1/2	SG216H070	SRN0120401S	KCNCDLD5256	409,6	263,1	18,3
DN 80	3"	SG216H071	SRN0180401S	KCNDDL5257	474,0	288,0	25,8
DN 100	4"	SG216H072	SRN0240401S	KCNDEL5258	520,5	330,0	32,0
DN 125	5"	SG216H073	SRN0480401S	KCNEFLD5260	648,2	383,0	54,4
DN 150	6"	SG216H074	SRN0720402S	KCNEFLD5260	798,0	401,3	75,2

Dimensionamento degli attuatori pneumatici fatto considerando una pressione minima di alimentazione pari a 5,6 barg. Sizing of pneumatic actuators by minimum pressure rate 5,6 barg.

A richiesta, articoli disponibili anche con attuatori elettrici.
On request, items available also with electric actuators.





ITEM 400-401

VALVOLA A SFERA IN ACCIAIO INOX MICROFUSA 2 VIE FILETTATA
PASSAGGIO INTEGRALE.

2-WAY FULL-BORE THREADED-ENDS STAINLESS STEEL BALL VALVE.

ITEM 400

Trattamento esterno: sabbiata

ITEM 400

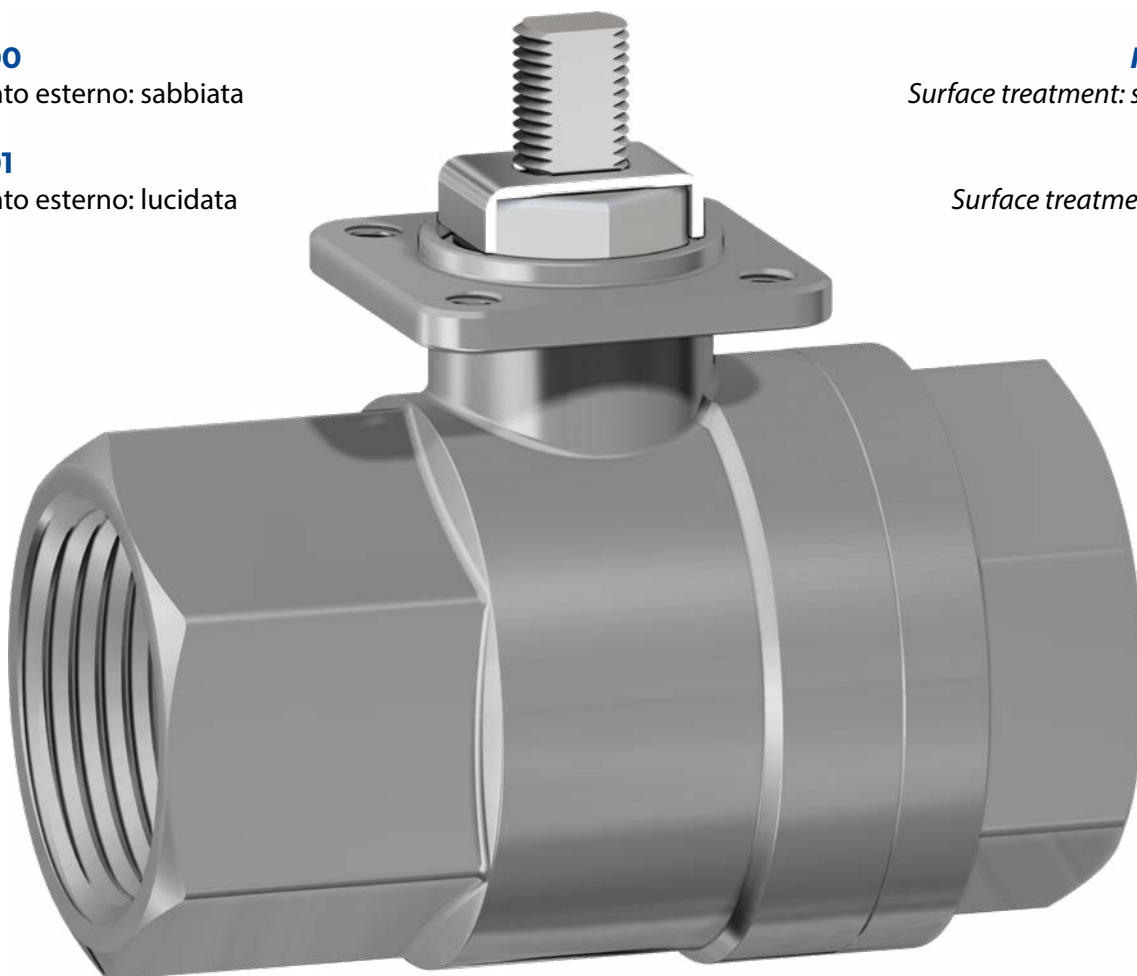
Surface treatment: sandblasted

ITEM 401

Trattamento esterno: lucidata

ITEM 401

Surface treatment: polished



CARATTERISTICHE GENERALI:

- Costruita per l'utilizzo a medie pressioni.
- Temperatura di utilizzo: da -20°C a +150°C.
- Pressione di utilizzo: vedi diagramma.
- Fluido intercettato: aria, acqua, gas, prodotti petroliferi e petrolchimici, fluidi aggressivi.
- Trattamento esterno: articolo 400 sabbiata; articolo 401 lucidata.
- Estremità filettate a norma ISO 7/1.
- Flangia montaggio attuatore a norma ISO 5211.

GENERAL FEATURES:

- Suitable for middle pressure applications.
- Working temperature: from -20°C to +150°C.
- Working pressure: see diagram.
- Fluid range: air, water, gas, petroleum and petrochemical products, aggressive media.
- Surface treatment: article 400 sandblasted; article 401 polished.
- Threaded ends as per ISO 7/1 specifications.
- ISO 5211 flange connection.

ESECUZIONI SPECIALI A RICHIESTA:

- Attacchi femmina NPT ANSI B1.20.1.
- Guarnizioni di tenuta in: PTFE caricato vetro;
PTFE caricato carbografite.
- Per altre applicazioni contattare il nostro ufficio commerciale.

ON REQUEST:

- Female threaded ends as per NPT B1.20.1 specifications.
- Seals made of: PTFE glass filled;
PTFE with carbon graphite.
- For other applications, please contact our sales department.

CERTIFICAZIONI:

- Conforme alla direttiva Europea 2014/68/UE "PED".
- Versione ATEX a richiesta in conformità alla direttiva 2014/34/UE, non disponibile per le misure DN10 3/8" e DN15 1/2".

CERTIFICATIONS:

- According to 2014/68/EU "PED".
- ATEX version on request in conformity with directive 2014/34/EU, not available for sizes DN10 3/8" e DN15 1/2".



DIAGRAMMA PRESSIONE/TEMPERATURA
PRESSURE/TEMPERATURE DIAGRAM

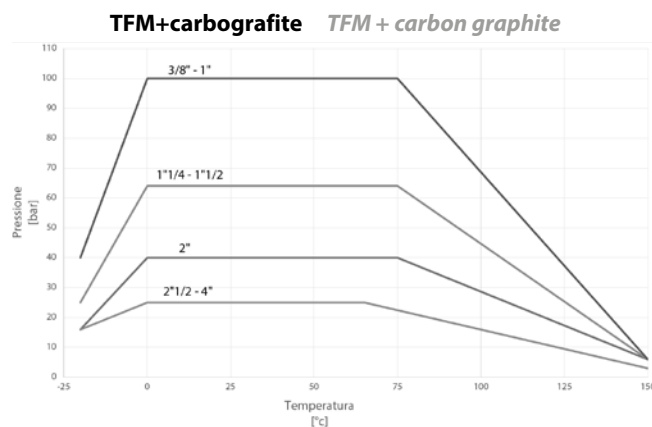
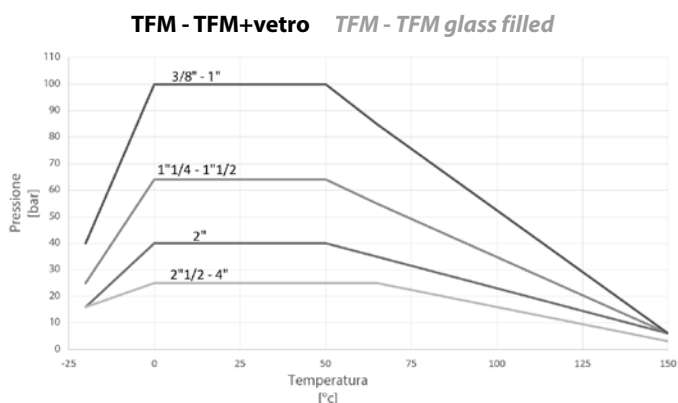
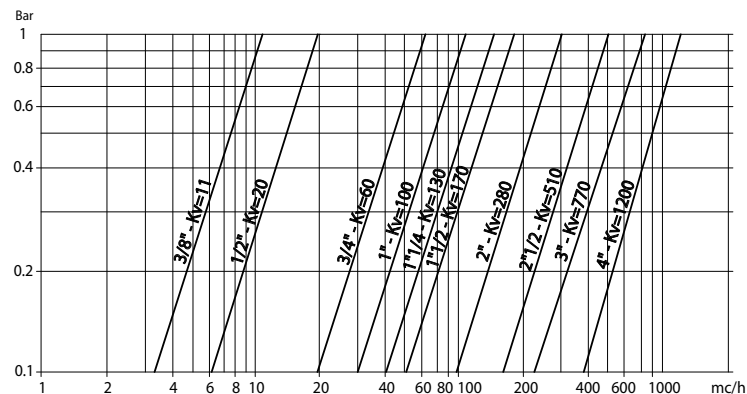


DIAGRAMMA PORTATA/PERDITA DI CARICO E COEFFICIENTE NOMINALE Kv
FLOW/PRESSURE LOSS DIAGRAM AND Kv NOMINAL COEFFICIENT



Il valore Kv è il valore di portata in m³/h (con acqua a 15°C) che provoca la caduta di pressione di 1 bar.

Kv is the coefficient, expressed in m³/h (with water at 15°C) causing a pressure loss of 1 bar.

STAINLESS STEEL BALL VALVES

	COPPIE DI SPUNTO in Nm				BREAKAWAY TORQUES Nm					
MISURA SIZE	DN 10 3/8"	DN 15 1/2"	DN 20 3/4"	DN 25 1"	DN 32 1\"1/4	DN 40 1\"1/2	DN 50 2"	DN 65 2\"1/2	DN 80 3"	DN 100 4"
PN 25 bar								76	106	146
PN 40 bar							56			
PN 64 bar					28	40				
PN 100 bar	8	10	14	20						

I valori della coppia possono variare in funzione della temperatura e del tipo di fluido. Considerare un fattore di sicurezza pari a 1,4. Con frequenti cicli di apertura e chiusura la coppia di manovra può diminuire sensibilmente rispetto a quella iniziale. Gli accoppiamenti attuatore/valvola, riportati nelle pagine seguenti, sono realizzati per valvole che intercettano fluidi liquidi o gassosi, puliti e per medie temperature. Per maggiori informazioni, o utilizzi diversi, consultare il nostro ufficio commerciale.

Torque can vary depending on temperature and type of fluid; a safety factor of 1.4 must be applied. Torque can drop on high frequency of operations. The actuator/valve sizing, indicated on the following pages, are based for valves to be used with liquids or gaseous fluids, clean, and for medium temperatures. For further information, or different uses please contact our sales department.

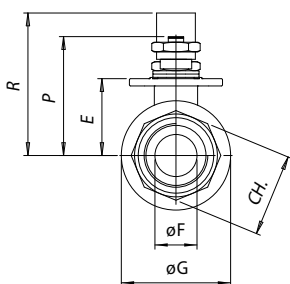
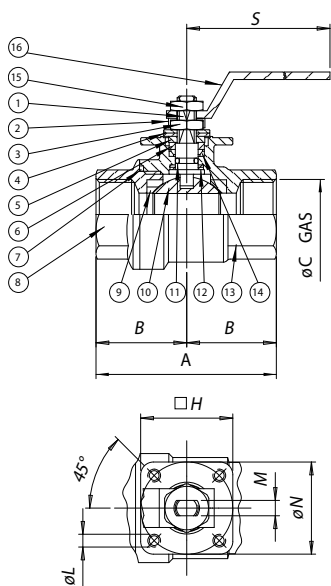


ITEM 400-401

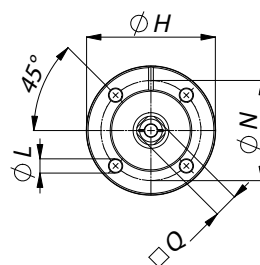
ACCIAIO INOX STAINLESS STEEL

ASSE LIBERO E CON LEVA FREE SHAFT AND WITH LEVER

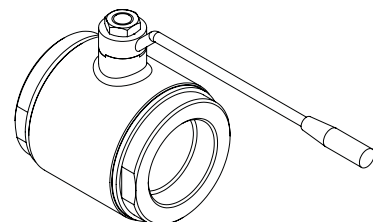
MISURA SIZE		ASSE LIBERO FREE SHAFT				CON LEVA WITH LEVER				Kit guarnizioni Seals kit		
DN [mm]	[inch]	Asse libero -sabbata Free shaft -sand blasted	ATEX	Asse libero -lucidata Free shaft -polished	ATEX	Kg	Con leva -sabbata With lever -sand blasted	ATEX	Con leva -lucidata With lever -polished		ATEX	Kg
DN 10	3/8"	V400H203	-	V401H203	-	0,24	L400H203	-	L401H203	-	0,31	KGBV5003
DN 15	1/2"	V400H204	-	V401H204	-	0,32	L400H204	-	L401H204	-	0,39	KGBV5004
DN 20	3/4"	V400H205	V400H205YX	V401H205	V401H205YX	0,51	L400H205	L400H205YX	L401H205	L401H205YX	0,58	KGBV5005
DN 25	1"	V400H206	V400H206YX	V401H206	V401H206YX	0,77	L400H206	L400H206YX	L401H206	L401H206YX	0,87	KGBV5006
DN 32	1" 1/4	V400H207	V400H207YX	V401H207	V401H207YX	1,27	L400H207	L400H207YX	L401H207	L401H207YX	1,37	KGBV5007
DN 40	1" 1/2	V400H208	V400H208YX	V401H208	V401H208YX	1,81	L400H208	L400H208YX	L401H208	L401H208YX	2,01	KGBV5008
DN 50	2"	V400H209	V400H209YX	V401H209	V401H209YX	3,2	L400H209	L400H209YX	L401H209	L401H209YX	3,4	KGBV5009
DN 65	2" 1/2	-	-	V419H410	V419H410YX	5,47	-	-	L419H410	L419H410YX	5,67	KGBV5010
DN 80	3"	-	-	V419H411	V419H411YX	8,92	-	-	L419H411	L419H411YX	9,22	KGBV5011
DN 100	4"	-	-	V419H412G	V419H412GYX	15,9	-	-	L419H412	L419H412YX	16,4	KGBV5012



Per le versioni 2"1/2 ÷ 4" Asse libero:
2"1/2 ÷ 4" only, Free shaft:



Per le versioni 2"1/2 ÷ 4" con leva:
2"1/2 ÷ 4" only, with lever:



La versione con leva non ha la testa della valvola a norma ISO 5211 e non è possibile montare alcun tipo di attuatore

The manual version (with lever) doesn't have the ISO 5211 top work and its therefore not possible to mount on it any kind of actuators

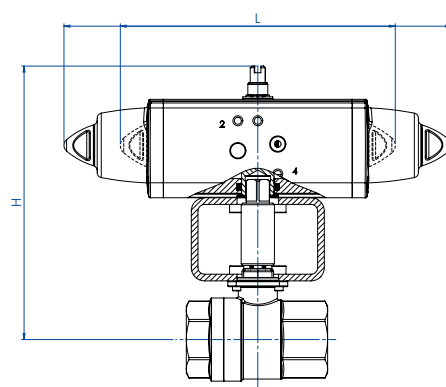
MATERIALI		MATERIALS		
1	Stelo Shaft	316 S.S.	1.4401	UNI X5CrNiMo 17 12
2	Piastra bloccadado Nut holder	304 S.S.	1.4301	UNI X5CrNi 18 10
3	Dado di bloccaggio Lock nut	304 S.S.	1.4301	UNI X5CrNi 18 10
4	Molla a tazza Belleville washer	301 S.S.	1.4310	UNI X12CrNi 17 07
5	Distanziale Washer	304 S.S.	1.4301	UNI X5CrNi 18 10
6	Anello premiguarnizione Gland nut	304 S.S.	1.4301	UNI X5CrNi 18 10
7*	Guarnizione statica Static ring	P.T.F.E.		
8	Manicotto femmina End	316 S.S.	1.4408	
9*	Guarnizioni di tenuta laterale Seals	P.T.F.E.		
10	Sfera Ball	316 S.S.	1.4401	UNI X5CrNiMo 17 12
11*	O-ring di tenuta intermedia O-ring	FKM	Non presente nella versione ATEX	Not available in ATEX version
12*	Anello di tenuta inferiore Bottom tight ring	P.T.F.E.		
13	Corpo con manicotto femmina Body with female end	316 S.S.	1.4408	
14*	Coppia di tenuta superiore Top sealing	P.T.F.E.		
15	Dado blocca leva Lever nut	304 S.S.	1.4301	UNI X5CrNi 18 10
16	Leva di manovra Lever	304 S.S.	1.4301	UNI X5CrNi 18 10

* Particolari del kit di ricambio Components of spare part kit KGBV50...

MISURA SIZE		DIMENSIONI DIMENSIONS														
DN [mm]	[inch]	A	B	øC	E	øF	øG	H	øL	M	□Q	øN	CH	P	R	S
DN 10	3/8"	55	25	3/8"	22	10	29	36	M5	4	-	36	21,5	37,5	52	110
DN 15	1/2"	65	30	1/2"	24,8	15	34	36	M5	4	-	36	26,5	40,3	55	110
DN 20	3/4"	70	35	3/4"	31,3	20	42,5	36	M5	6	-	36	31,5	50,8	66	140
DN 25	1"	85	42,5	1"	35,3	25	50,5	36	M5	6	-	36	40,5	54,8	70	140
DN 32	1" 1/4	95	47,5	1"1/4	44	32	63	42	M5	8	-	42	49,5	68	85	180
DN 40	1" 1/2	105	52,5	1"1/2	50,3	40	75,5	42	M5	8	-	42	54,5	74,3	91	180
DN 50	2"	125	62,5	2"	57,9	50	91	50	M6	10	-	50	69,5	87	105	230
DN 65	2" 1/2	128	64	2"1/2	94,5	65	110	90	9	-	17	70	-	109,5	110	235
DN 80	3"	150	75	3"	106	80	141	90	9	-	17	70	-	121	130	285
DN 100	4"	178	89	4"	120	100	160	120	11	-	17	102	-	135	150	310



ITEM 400-401 ACCIAIO INOX STAINLESS STEEL CON ATTUATORE WITH ACTUATOR



CON ATTUATORE PNEUMATICO DOPPIO EFFETTO WITH DOUBLE ACTING PNEUMATIC ACTUATOR

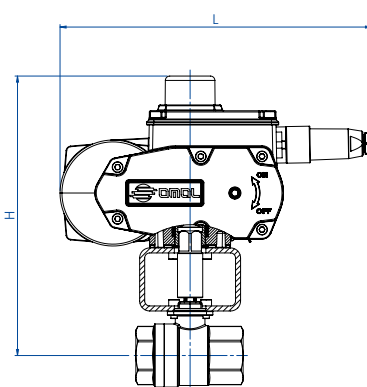
MISURA SIZE	ARTICOLO ITEM CODE	ATTUATORE ACTUATOR	KIT montaggio Mounting KIT	L [mm]	H [mm]	Kg	ATEX
DN 10 3/8"	DG40*H003	DAN0015411S	KCNAAHD5261	159,0	144,2	1,5	-
DN 15 1/2"	DG40*H004	DAN0015411S	KCNAAHD5261	159,0	147,0	1,5	-
DN 20 3/4"	DG40*H005	DAN0030411S	KCNAAHD5262	174,2	160,5	2,0	DG40*H005YX
DN 25 1"	DG40*H006	DAN0030411S	KCNAAHD5262	174,2	160,5	2,3	DG40*H006YX
DN 32 1 1/4"	DG40*H007	DAN0045412S	KCNBCHD5264	188,5	188,5	3,3	DG40*H007YX
DN 40 1 1/2"	DG40*H008	DAN0060412S	KCNBCHD5266	198,0	200,7	4,3	DG40*H008YX
DN 50 2"	DG40*H009	DAN0106411S	KCNCCHD5605	237,0	221,2	6,7	DG40*H009YX
DN 65 2 1/2"	DG419H010	DAN0120411S	KCF075269	244,1	197,8	8,3	DG419H010YX
DN 80 3"	DG419H011	DAN0180411S	KCF102624	289,9	243,5	13,8	DG419H011YX
DN 100 4"	DG419H012	DAN0240411S	KCF105271	313,6	261,1	21,8	DG419H012YX

CON ATTUATORE PNEUMATICO SEMPLICE EFFETTO WITH SPRING RETURN PNEUMATIC ACTUATOR

MISURA SIZE	ARTICOLO ITEM CODE	ATTUATORE ACTUATOR	KIT montaggio Mounting KIT	L [mm]	H [mm]	Kg	ATEX
DN 10 3/8"	SG40*H003	SRN0015401S	KCNAAHD5261	233,2	151,2	1,9	---
DN 15 1/2"	SG40*H004	SRN0015401S	KCNAAHD5261	233,2	154,0	2,0	---
DN 20 3/4"	SG40*H005	SRN0030402S	KCNACHD6085	258,8	181,7	3,2	SG40*H005YX
DN 25 1"	SG40*H006	SRN0030402S	KCNACHD6085	258,8	185,7	3,4	SG40*H006YX
DN 32 1 1/4"	SG40*H007	SRN0053401S	KCNBCHD6086	304,2	207,3	5,2	SG40*H007YX
DN 40 1 1/2"	SG40*H008	SRN0060401S	KCNBCHD6086	338,5	217,3	6,2	SG40*H008YX
DN 50 2"	SG40*H009	SRN0090401S	KCNCDHD5606	393,7	255,4	10,4	SG40*H009YX
DN 65 2 1/2"	SG419H010	SRN0120401S	KCF102624	409,6	235,6	12,5	SG419H010YX
DN 80 3"	SG419H011	SRN0180401S	KCF102624	474,0	254,0	18,1	SG419H011YX
DN 100 4"	SG419H012	SRN0240401S	KCF125272	520,5	285,0	28,2	SG419H012YX

* = 0 valvola esterno sabbato (articolo 400); sand blasted valve (item 400) * = 1 valvola esterno lucidato (articolo 401); polished valve (item 401)

Dimensionamento degli attuatori pneumatici fatto considerando una pressione minima di alimentazione pari a 5,6 barg. Sizing of pneumatic actuators by minimum pressure rate 5,6 barg.



CON ATTUATORE ELETTRICO ON-OFF (230 Vac) WITH ON-OFF ELECTRIC ACTUATOR

MISURA SIZE	ARTICOLO ITEM CODE	ATTUATORE ACTUATOR	KIT montaggio Mounting KIT	L [mm]	H [mm]	Kg
DN 10 3/8"	C40*ASE03	EA0035A5C000	KCNACHD5422	250,0	219,0	4,5
DN 15 1/2"	C40*ASE04	EA0035A5C000	KCNACHD5422	250,0	221,8	4,6
DN 20 3/4"	C40*ASE05	EA0035A5C000	KCNACHD6085	250,0	228,3	4,8
DN 25 1"	C40*ASE06	EA0035A5C000	KCNACHD6085	250,0	232,3	5,1
DN 32 1 1/4"	C40*ASE07	EA0035A5C000	KCNBCHD5266	250,0	241,0	5,7
DN 40 1 1/2"	C40*ASG08	EA0070A5C000	KCNBCHD5266	250,0	247,3	6,5
DN 50 2"	C40*ASIO9	EA0130A5C000	KCNCCHD5605	280,0	254,9	11,4
DN 65 2 1/2"	C419AS110	EA0130A5C000	KCF075269	280,0	252,0	12,9
DN 80 3"	C419ASK11	EA0240A5C000	KCF102624	280,0	263,5	16,7
DN 100 4"	CG419ASK12	EA0240A5C000	KCF105271	280,0	277,5	23,9

CON ATTUATORE ELETTRICO MODULANTE (230 Vac) WITH ROTARY MODULAR TYPE ELECTRIC ACTUATOR

MISURA SIZE	ARTICOLO ITEM CODE	ATTUATORE ACTUATOR	KIT montaggio Mounting KIT	L [mm]	H [mm]	Kg
DN 10 3/8"	M40*16C03	AM160002	KCNACHD5422	165,8	201,5	4,0
DN 15 1/2"	M40*16C04	AM160002	KCNACHD5422	165,8	204,5	4,1
DN 20 3/4"	M40*16F05	AM160005	KCNACHV5423	207,5	254,8	6,0
DN 25 1"	M40*16F06	AM160005	KCNACHV5423	207,5	258,8	6,3
DN 32 1 1/4"	M40*16F07	AM160005	KCNBCHV5424	207,5	267,5	6,8
DN 40 1 1/2"	M40*16L08	AM160020	KCNBDHV5425	256,5	295,3	12,1
DN 50 2"	M40*16L09	AM160020	KCNCDHV5426	256,5	322,9	13,5
DN 65 2 1/2"	M41916L10	AM160020	KCE362092	256,5	279,5	14,4
DN 80 3"	M41916L11	AM160020	KCE362092	256,5	291,0	17,9
DN 100 4"	MG41916L12	AM160020	KCE365427	256,5	305,0	25,1

* = 0 valvola esterno sabbato (articolo 400); sand blasted valve (item 400) * = 1 valvola esterno lucidato (articolo 401); polished valve (item 401)

Codici con attuatore elettrico 230 Vac. Items with electric actuator 230 Vac.

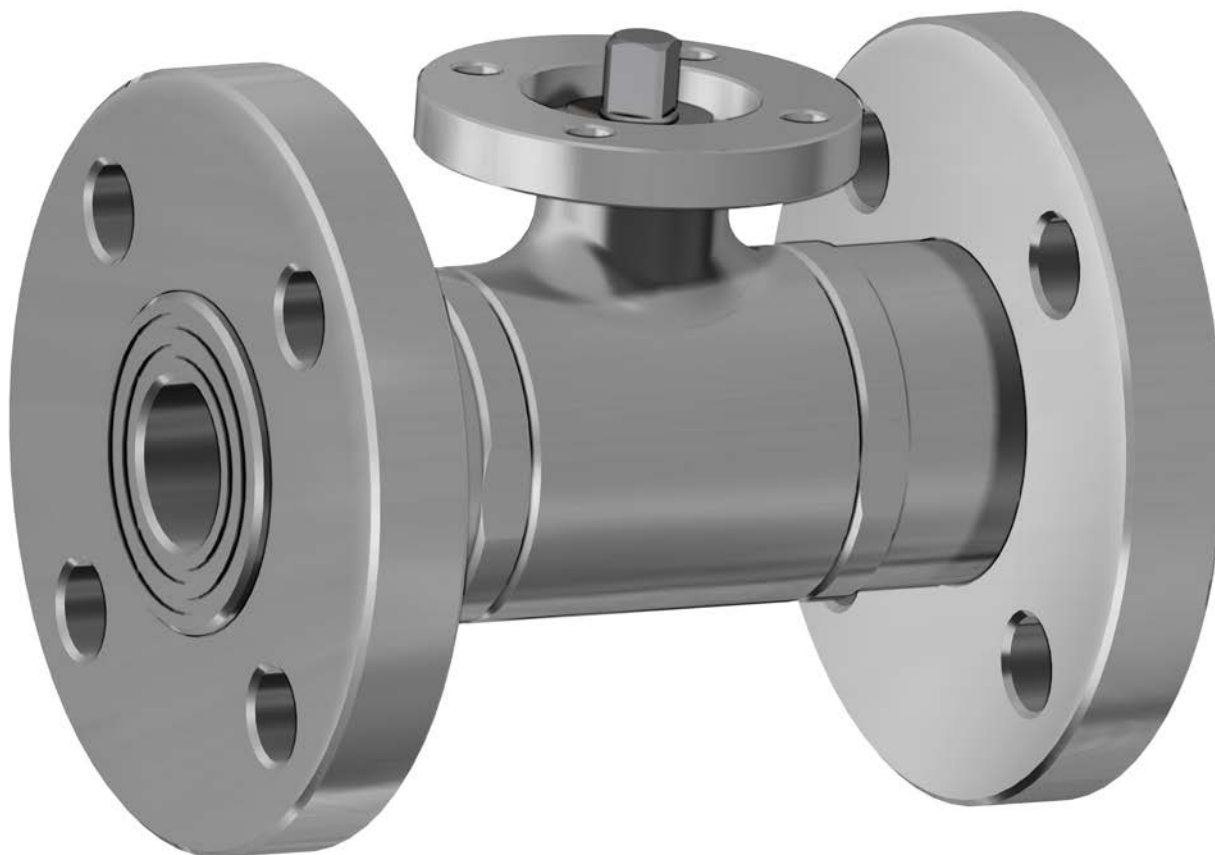
Versione ATEX non disponibile per attuatori elettrici. ATEX version not available for electric actuator.

STAINLESS STEEL BALL VALVES



ITEM 406

VALVOLA A SFERA IN ACCIAIO INOX DUE VIE FLANGIATA
PASSAGGIO INTEGRALE.
2-WAY FULL-BORE FLANGED STAINLESS STEEL BALL VALVE.



CARATTERISTICHE GENERALI:

- La valvola é costruita in 316L acciaio inox.
- Norme per flange d'attacco: EN 1092-1; dimensione faccia-faccia DIN 3202-F4; flange filettate girevoli UNI PN 16.
- Temperatura di utilizzo: da -20°C a +150°C.
- Pressione di utilizzo: vedi tabella.
- Fluido intercettato: per usi alimentari.
- Flangia montaggio attuatore a norma ISO 5211.
- **La versione con leva non ha la flangia montaggio attuatore a norma ISO 5211 e non è possibile montare alcun tipo di attuatore.**

ESECUZIONI SPECIALI A RICHIESTA:

- Flange in acciaio zincato.
- Flange ASME B16.5 classe 150,300.
- Guarnizioni di tenuta in: PTFE caricato vetro;
PTFE caricato carbografite;
Polietilene ad alta densità.
- Per altre applicazioni contattare il nostro ufficio commerciale.

CERTIFICAZIONI:

- Versione ATEX in conformità alla Direttiva Europea 2014/34/UE.
- Certificato ATEX a richiesta.

GENERAL FEATURES:

- *The valve is manufactured in 316L stainless steel.*
- *Flanges as per: EN 1092-1; dimensions as per DIN 3202-F4; turning threaded flanges as per UNI PN 16.*
- *Working temperature: from -20°C to +150°C.*
- *Working pressure: see table.*
- *Fluid range: food industry.*
- *ISO 5211 flange connection.*
- ***The manual version (with lever) doesn't have the ISO 5211 flange connection and its therefore not possible to mount on it any kind of actuators.***

ON REQUEST:

- *Zinc plated flanges.*
- *Flanges ASME B16.5 class 150,300.*
- *Seals made of: PTFE glass filled;
PTFE with carbon graphite;
High-molecular weight polyethylene.*
- *For other applications, please contact our sales department.*

CERTIFICATIONS:

- *ATEX version in conformity with European Directive 2014/34/EU.*
- *ATEX certificate on request.*



DIAGRAMMA PRESSIONE/TEMPERATURA
PRESSURE/TEMPERATURE DIAGRAM

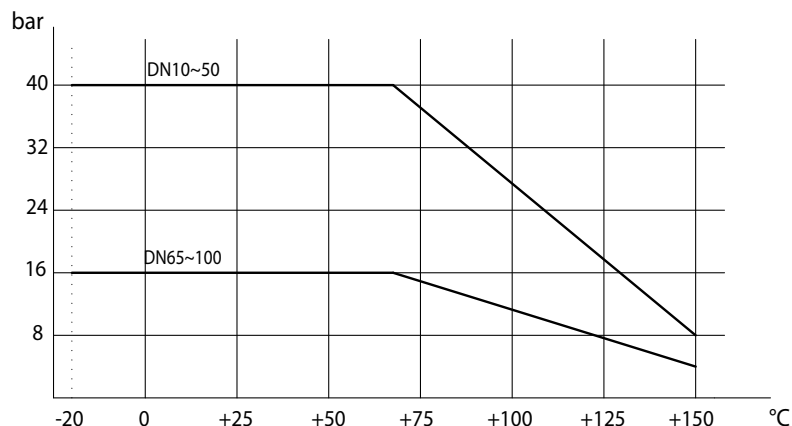
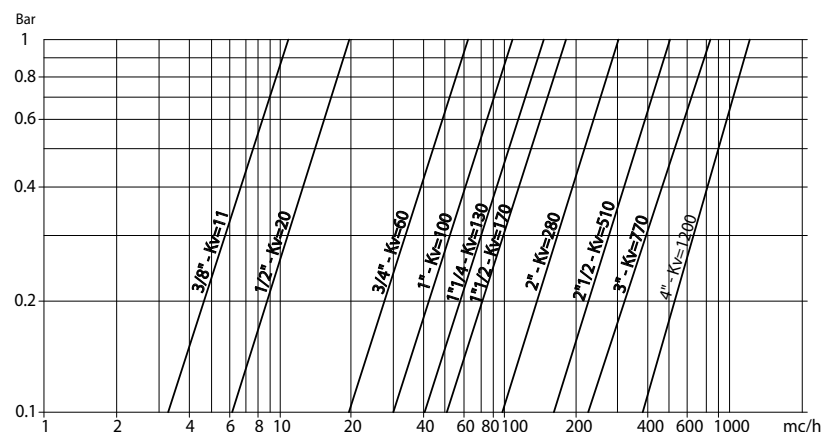


DIAGRAMMA PORTATA/PERDITA DI CARICO E COEFFICIENTE NOMINALE Kv
FLOW/PRESSURE LOSS DIAGRAM AND Kv NOMINAL COEFFICIENT



Il valore Kv è il valore di portata in m³/h (con acqua a 15°C) che provoca la caduta di pressione di 1 bar.

Kv is the coefficient, expressed in m³/h (with water at 15°C) causing a pressure loss of 1 bar.

STAINLESS STEEL BALL VALVES

	COPPIE DI SPUNTO in Nm				BREAKAWAY TORQUES Nm					
MISURA SIZE	DN 10 3/8"	DN 15 1/2"	DN 20 3/4"	DN 25 1"	DN 32 1 1/4"	DN 40 1 1/2"	DN 50 2"	DN 65 2 1/2"	DN 80 3"	DN 100 4"
PN 16 bar								70	112	166
PN 40 bar	6	8	11	16	22	30	42			

I valori della coppia possono variare in funzione della temperatura e del tipo di fluido. Considerare un fattore di sicurezza pari a 1,4. Con frequenti cicli di apertura e chiusura la coppia di manovra può diminuire sensibilmente rispetto a quella iniziale. Gli accoppiamenti attuatore/valvola, riportati nelle pagine seguenti, sono realizzati per valvole che intercettano fluidi liquidi o gassosi, puliti e per medie temperature. Per maggiori informazioni, o utilizzi diversi, consultare il nostro ufficio commerciale.

Torque can vary depending on temperature and type of fluid; a safety factor of 1.4 must be applied. Torque can drop on high frequency of operations. The actuator/valve sizing, indicated on the following pages, are based for valves to be used with liquids or gaseous fluids, clean, and for medium temperatures. For further information, or different uses please contact our sales department.



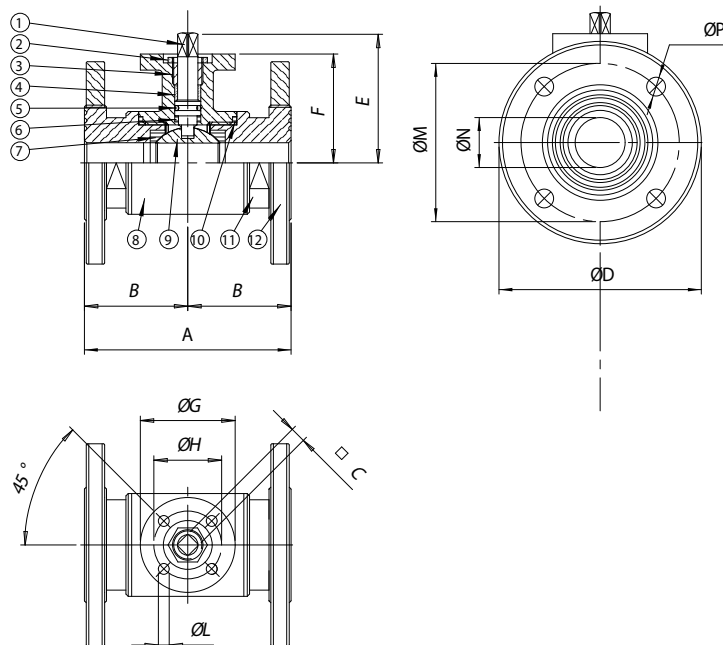
ITEM 406

ACCIAIO INOX STAINLESS STEEL

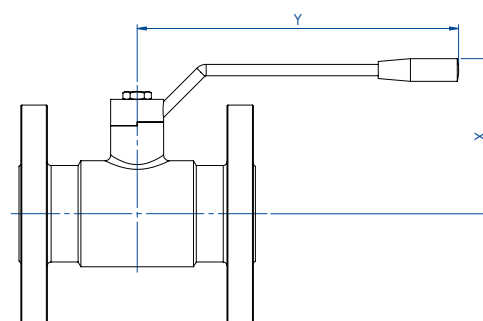
ASSE LIBERO E CON LEVA FREE SHAFT AND WITH LEVER

MISURA SIZE		ASSE LIBERO FREE SHAFT			CON LEVA WITH LEVER			Kit guarnizioni Seals kit
DN [mm]	[inch]	Asse libero Free shaft	→ ATEX	Kg	Con leva With lever	→ ATEX	Kg	
DN 10	3/8"	V406H603	V406H603YX	1,6	L406H603	L406H603YX	1,6	KGBV7503
DN 15	1/2"	V406H604	V406H604YX	1,8	L406H604	L406H604YX	1,8	KGBV7504
DN 20	3/4"	V406H605	V406H605YX	2,5	L406H605	L406H605YX	2,6	KGBV7505
DN 25	1"	V406H606	V406H606YX	3,5	L406H606	L406H606YX	3,5	KGBV7506
DN 32	1" 1/4	V406H607	V406H607YX	5,0	L406H607	L406H607YX	5,1	KGBV7507
DN 40	1" 1/2	V406H608	V406H608YX	6,4	L406H608	L406H608YX	6,5	KGBV7508
DN 50	2"	V406H609	V406H609YX	8,9	L406H609	L406H609YX	8,9	KGBV7509
DN 65	2" 1/2	V406H610	V406H610YX	14,0	L406H610	L406H610YX	13,0	KGBV7510
DN 80	3"	V406H611	V406H611YX	16,1	L406H611	L406H611YX	16,1	KGBV7511
DN 100	4"	V406H612G	V406H612GYX	22,5	L406H612	L406H612YX	22,7	KGBV7512

ASSE LIBERO FREE SHAFT



CON LEVA WITH LEVER



La versione con leva non ha la flangia montaggio attuttore a norma ISO 5211 e non è possibile montare alcun tipo di attuttore.

The manual version (with lever) doesn't have the ISO 5211 flange connection and its therefore not possible to mount on it any kind of actuators.

MATERIALI MATERIALS

1	Stelo Shaft	316L S.S.	1.4404	UNI X2CrNiMo 17 12
2	Dado di bloccaggio Lock nut	303 S.S.		
3	Anello premiguarnizione Gland nut ring	304L S.S. (303 S.S.)		
4*	Anello di tenuta superiore Top tight ring	P.T.F.E.		
5*	O-ring di tenuta perno Shaft o-ring	FKM		
6*	Dischetto di tenuta perno Washer	P.T.F.E.		
7*	Guarnizioni di tenuta laterale Seals	P.T.F.E.		
8	Corpo Body	316L S.S.	1.4404	UNI X2CrNiMo 17 12
9	Sfera Ball	316L S.S.	1.4404	UNI X2CrNiMo 17 12
10*	Guarnizioni di tenuta manicotti Threaded sealing	P.T.F.E.		
11	Manicotto femmina End	316L S.S.	1.4404	UNI X2CrNiMo 17 12
12	Flangia Flange	316L S.S.	1.4404	UNI X2CrNiMo 17 12

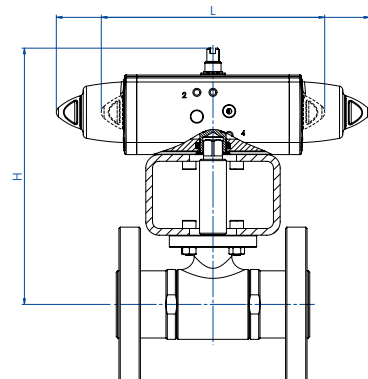
* Particolari del kit di ricambio Components of spare part kit KGBV75...

DIMENSIONI DIMENSIONS

MISURA SIZE	A	B	□C	ØD	E	F	ØG	ØH	ØL	ØM	ØN	n°xØP	X	Y
DN [mm]	[inch]													
DN 10	3/8"	110	55	6	90	47	39	46	36	6	60	10	4x14	70 125
DN 15	1/2"	115	57,5	6	95	49,5	41,5	46	36	6	65	15	4x14	75 125
DN 20	3/4"	120	60	6	105	53	45	46	36	6	75	20	4x14	80 125
DN 25	1"	125	62,5	9	115	64,5	51,5	65	50	7	85	25	4x14	100 170
DN 32	1" 1/4	130	65	9	140	69,5	56,5	65	50	7	100	32	4x18	110 170
DN 40	1" 1/2	140	70	14	150	89	76	65	50	7	110	40	4x18	120 240
DN 50	2"	150	75	14	165	97	84	65	50	7	125	50	4x18	130 240
DN 65	2" 1/2	170	85	17	185	109,5	94,5	90	70	9	145	65	4x18	145 260
DN 80	3"	180	90	17	200	121	106	90	70	9	160	80	8x18	160 300
DN 100	4"	190	95	17	220	138	120	125	102	11	180	100	8x18	180 330



ITEM 406
ACCIAIO INOX STAINLESS STEEL
CON ATTUATORE WITH ACTUATOR



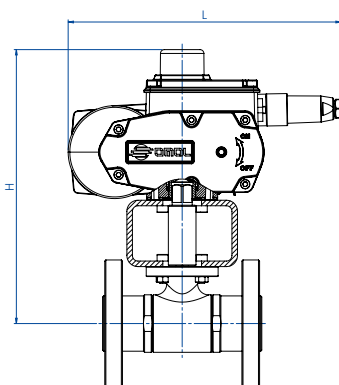
CON ATTUATORE PNEUMATICO DOPPIO EFFETTO
WITH DOUBLE ACTING PNEUMATIC ACTUATOR

MISURA SIZE	ARTICOLO ITEM CODE	ATTUATORE ACTUATOR	KIT montaggio Mounting KIT	L [mm]	H [mm]	Kg	ATEX
DN 10 3/8"	DG406H063	DAN0015411S	KCNAADD5274	159,0	161,2	2,9	DG406H063YX
DN 15 1/2"	DG406H064	DAN0015411S	KCNAADD5274	159,0	163,7	3,0	DG406H064YX
DN 20 3/4"	DG406H065	DAN0015411S	KCNAADD5274	159,0	167,2	3,9	DG406H065YX
DN 25 1"	DG406H066	DAN0030411S	KCNCCDD5275	174,2	190,7	5,2	DG406H066YX
DN 32 1" 1/4	DG406H067	DAN0030411S	KCNCCDD5275	174,2	195,7	6,9	DG406H067YX
DN 40 1" 1/2	DG406H068	DAN0045412S	KCNCCDD5277	188,5	220,5	9,1	DG406H068YX
DN 50 2"	DG406H069	DAN0060412S	KCNCCDD5279	198,0	234,4	12,1	DG406H069YX
DN 65 2" 1/2	DG406H070	DAN0120411S	KCNDDDD5280	244,1	261,5	18,7	DG406H070YX
DN 80 3"	DG406H071	DAN0180411S	KCNDDDD5281	289,9	303,5	23,3	DG406H071YX
DN 100 4"	DG406H072	DAN0240411S	KCNEEDD5282	313,6	341,1	30,7	DG406H072YX

CON ATTUATORE PNEUMATICO SEMPLICE EFFETTO
WITH SPRING RETURN PNEUMATIC ACTUATOR

MISURA SIZE	ARTICOLO ITEM CODE	ATTUATORE ACTUATOR	KIT montaggio Mounting KIT	L [mm]	H [mm]	Kg	ATEX
DN 10 3/8"	SG406H063	SRN0015401S	KCNAADD5274	233,2	168,2	3,4	SG406H063YX
DN 15 1/2"	SG406H064	SRN0015401S	KCNAADD5274	233,2	170,7	3,5	SG406H064YX
DN 20 3/4"	SG406H065	SRN0015401S	KCNAADD5274	233,2	174,2	4,4	SG406H065YX
DN 25 1"	SG406H066	SRN0030402S	KCNCCDD5276	258,8	201,9	6,2	SG406H066YX
DN 32 1" 1/4	SG406H067	SRN0030402S	KCNCCDD5276	258,8	206,2	7,9	SG406H067YX
DN 40 1" 1/2	SG406H068	SRN0053401S	KCNCCDD5278	304,2	239,3	10,9	SG406H068YX
DN 50 2"	SG406H069	SRN0060401S	KCNCCDD5278	338,5	251,0	13,9	SG406H069YX
DN 65 2" 1/2	SG406H070	SRN0120401S	KCNDDDD5281	409,6	295,6	22,9	SG406H070YX
DN 80 3"	SG406H071	SRN0180401S	KCNDDDD5281	474,0	314,0	27,6	SG406H071YX
DN 100 4"	SG406H072	SRN0240401S	KCNEEDD5283	520,5	365,0	37,1	SG406H072YX

Dimensionamento degli attuatori pneumatici fatto considerando una pressione minima di alimentazione pari a 5,6 barg. *Sizing of pneumatic actuators by minimum pressure rate 5,6 barg.*



CON ATTUATORE ELETTRICO ON-OFF (230 Vac)
WITH ON-OFF ELECTRIC ACTUATOR

MISURA SIZE	ARTICOLO ITEM CODE	ATTUATORE ACTUATOR	KIT montaggio Mounting KIT	L [mm]	H [mm]	Kg
DN 10 3/8"	C406A5E63	EA0035A5C000	KCNACDD5428	250,0	236,0	5,9
DN 15 1/2"	C406A5E64	EA0035A5C000	KCNACDD5428	250,0	238,5	6,1
DN 20 3/4"	C406A5E65	EA0035A5C000	KCNACDD5428	250,0	242,0	7,0
DN 25 1"	C406A5E66	EA0035A5C000	KCNCCDD5276	250,0	248,5	7,9
DN 32 1" 1/4	C406A5E67	EA0035A5C000	KCNCCDD5276	250,0	253,5	10,3
DN 40 1" 1/2	C406A5G68	EA0070A5C000	KCNCCDD5279	250,0	273,0	11,7
DN 50 2"	C406A5G69	EA0070A5C000	KCNCCDD5279	250,0	281,0	14,3
DN 65 2" 1/2	C406A5I70	EA0130A5C000	KCNDDDD5280	280,0	312,0	23,3
DN 80 3"	C406A5I71	EA0130A5C000	KCNDDDD5280	280,0	323,5	25,6
DN 100 4"	CG406A5K72	EA0240A5C000	KCNEEDD5282	280,0	357,5	32,8

CON ATTUATORE ELETTRICO MODULANTE (230 VAC)
WITH ROTARY MODULAR TYPE ELECTRIC ACTUATOR

MISURA SIZE	ARTICOLO ITEM CODE	ATTUATORE ACTUATOR	KIT montaggio Mounting KIT	L [mm]	H [mm]	Kg
DN 10 3/8"	M40616C63	AM160002	KCNACDD5428	165,8	218,5	5,4
DN 15 1/2"	M40616C64	AM160002	KCNACDD5428	165,8	221,0	5,6
DN 20 3/4"	M40616C65	AM160002	KCNACDD5428	165,8	224,5	6,5
DN 25 1"	M40616F66	AM160005	KCNCCDV5429	207,5	275,0	9,1
DN 32 1" 1/4	M40616F67	AM160005	KCNCCDV5429	207,5	279,5	11,5
DN 40 1" 1/2	M40616F68	AM160005	KCNCCDV5430	207,5	299,5	12,7
DN 50 2"	M40616L69	AM160020	KCNCCDV5431	256,5	329,0	20,0
DN 65 2" 1/2	M40616L70	AM160020	KCNDDDV5432	256,5	339,5	25,5
DN 80 3"	M40616L71	AM160020	KCNDDDV5432	256,5	351,0	27,7
DN 100 4"	MG40616L72	AM160020	KCNEDDV5433	256,5	384,7	34,3

Codici con attuatore elettrico 230 Vac. *Items with electric actuator 230 Vac.*
 Versione ATEX non disponibile per attuatori elettrici. *ATEX version not available for electric actuator.*

STAINLESS STEEL BALL VALVES



ITEM 420

VALVOLA A SFERA IN 3 PEZZI IN ACCIAIO INOX 2 VIE FILETTATA O DA SALDARE - PASSAGGIO INTEGRALE.

2-WAY FULL-BORE THREE PIECE STAINLESS STEEL BALL VALVE, THREADED-ENDS OR BUTT WELD.



CARATTERISTICHE GENERALI:

- La valvola è costruita in 316L acciaio inox.
- Costruita in 3 pezzi per facilitare l'intervento su impianti ad alta frequenza di manutenzione.
- Estremità: filettate a norma ISO 7/1; saldare di tasca; saldare di testa.
- Temperatura di utilizzo: da -20°C a +150°C.
- Pressione di utilizzo: vedi diagramma.
- Fluido intercettato: aria, acqua, gas, prodotti petroliferi e petrolchimici, fluidi aggressivi.
- Flangia montaggio attuatore a norma ISO 5211.
- **La versione con leva non ha la flangia montaggio attuatore a norma ISO 5211 e non è possibile montare alcun tipo di attuatore.**

GENERAL FEATURES:

- *The valve is manufactured in 316L stainless steel.*
- *Manufactured in three pieces to facilitate replacement on plants which requires frequent maintenance.*
- *Ends: threads as per ISO 7/1; socket welding; butt welding.*
- *Working temperature: from -20°C to +150°C.*
- *Working pressure: see diagram.*
- *Fluid range: air, water, gas, petroleum and petrochemical products, aggressive media.*
- *ISO 5211 flange connection.*
- ***The manual version (with lever) doesn't have the ISO 5211 flange connection and its therefore not possible to mount on it any kind of actuators.***

ESECUZIONI SPECIALI A RICHIESTA:

- Filettatura: NPT.
- Guarnizioni di tenuta in: PTFE caricato vetro;
PTFE caricato carbografite.
- Per altre applicazioni contattare il nostro ufficio commerciale.

ON REQUEST:

- *Threaded: NPT.*
- *Seals made of: PTFE glass filled;
PTFE with carbon graphite.*
- *For other applications, please contact our sales department.*

CERTIFICAZIONI:

- Versione ATEX in conformità alla Direttiva Europea 2014/34/UE.
- Certificato ATEX a richiesta.

CERTIFICATIONS:

- *ATEX version in conformity with European Directive 2014/34/EU.*
- *ATEX certificate on request.*



DIAGRAMMA PRESSIONE/TEMPERATURA
PRESSURE/TEMPERATURE DIAGRAM

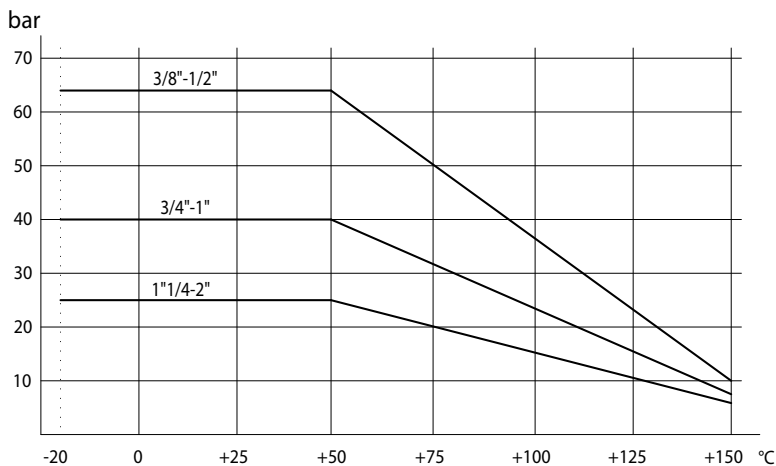
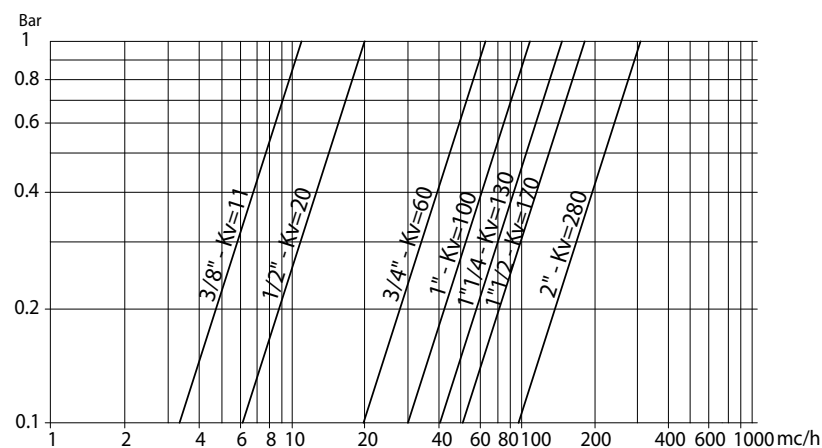


DIAGRAMMA PORTATA/PERDITA DI CARICO E COEFFICIENTE NOMINALE Kv
FLOW/PRESSURE LOSS DIAGRAM AND Kv NOMINAL COEFFICIENT



Il valore Kv è il valore di portata in m³/h (con acqua a 15°C) che provoca la caduta di pressione di 1 bar.

Kv is the coefficient, expressed in m³/h (with water at 15°C) causing a pressure loss of 1 bar.

STAINLESS STEEL BALL VALVES

COPPIE DI SPUNTO in Nm		BREAKAWAY TORQUES Nm					
MISURA SIZE	DN 10 3/8"	DN 15 1/2"	DN 20 3/4"	DN 25 1"	DN 32 1"1/4"	DN 40 1"1/2"	DN 50 2"
PN 25 bar					20	29	40
PN 40 bar			10	14			
PN 63 bar	7	8					

I valori della coppia possono variare in funzione della temperatura e del tipo di fluido. Considerare un fattore di sicurezza pari a 1,4. Con frequenti cicli di apertura e chiusura la coppia di manovra può diminuire sensibilmente rispetto a quella iniziale. Gli accoppiamenti attuatore/valvola, riportati nelle pagine seguenti, sono realizzati per valvole che intercettano fluidi liquidi o gassosi, puliti e per medie temperature. Per maggiori informazioni, o utilizzi diversi, consultare il nostro ufficio commerciale.

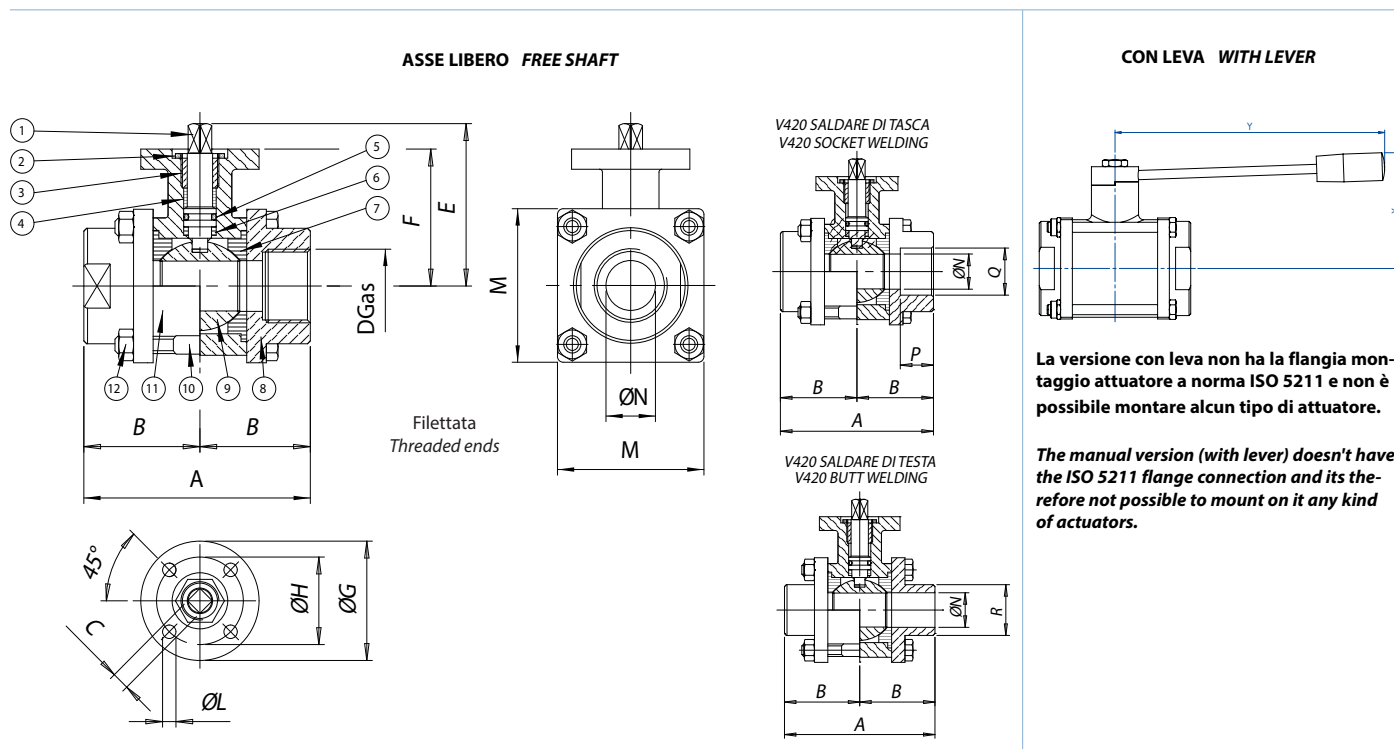
Torque can vary depending on temperature and type of fluid; a safety factor of 1.4 must be applied. Torque can drop on high frequency of operations. The actuator/valve sizing, indicated on the following pages, are based for valves to be used with liquids or gaseous fluids, clean, and for medium temperatures. For further information, or different uses please contact our sales department.



ITEM 420 ACCIAIO INOX STAINLESS STEEL ASSE LIBERO E CON LEVA FREE SHAFT AND WITH LEVER

MISURA SIZE		ASSE LIBERO FREE SHAFT			CON LEVA WITH LEVER			Kit guarnizioni Seals kit
DN [mm]	[inch]	Asse libero Free shaft	→ ATEX	Kg	Con leva With lever	→ ATEX	Kg	
DN 10	3/8"	V420H * 3	V420H * 3YX	0,49	L420H * 3	L420H * 3YX	0,59	KGBV5503
DN 15	1/2"	V420H * 4	V420H * 4YX	0,46	L420H * 4	L420H * 4YX	0,56	KGBV5504
DN 20	3/4"	V420H * 5	V420H * 5YX	0,65	L420H * 5	L420H * 5YX	0,75	KGBV5505
DN 25	1"	V420H * 6	V420H * 6YX	1,23	L420H * 6	L420H * 6YX	1,38	KGBV5506
DN 32	1" 1/4	V420H * 7	V420H * 7YX	1,67	L420H * 7	L420H * 7YX	1,82	KGBV5507
DN 40	1" 1/2	V420H * 8	V420H * 8YX	2,48	L420H * 8	L420H * 8YX	2,68	KGBV5508
DN 50	2"	V420H * 9	V420H * 9YX	3,7	L420H * 9	L420H * 9YX	3,9	KGBV5509

* = 40 valvola filettata; * = 40 threaded ends * = 75 valvola a saldare di tasca; * = 75 socket welding * = 77 valvola da saldare di testa; * = 77 butt welding



MATERIALI MATERIALS			
1	Stelo Shaft	316L S.S.	1.4401
2	Controdado Nut	303 S.S.	
3	Ghiera di registro Ring nut	304L S.S. (303 S.S.)	
4*	Guarnizione perno Shaft seal	P.T.F.E.	
5*	O-ring perno Shaft o-ring	FKM	
6*	Guarnizione perno Shaft seal	P.T.F.E.	
7*	Guarnizione sfera Ball seal	P.T.F.E.	
8	Flangia Flange	316L S.S.	1.4401
9	Sfera Ball	316L S.S.	1.4401
10	Viti Screws	303 S.S.	
11	Corpo Body	316L S.S.	1.4401
12	Dado Nut	303 S.S.	

* Particolari del kit di ricambio Components of spare part kit KGBV55...

MISURA SIZE		DIMENSIONI DIMENSIONS															
DN [mm]	[inch]	A	B	C	D	E	F	øG	øH	øL	M	øN	Q	P	R	X	Y
DN 10	3/8"	70	35	6	3/8"	49,5	41,5	46	36	6	40	10	17,8	9,7	18	55	110
DN 15	1/2"	70	35	6	1/2"	49,5	41,5	46	36	6	40	15	22	9,7	22,5	55	110
DN 20	3/4"	80	40	6	3/4"	53	45	46	36	6	45	20	27,3	12,7	28	60	110
DN 25	1"	90	45	9	1"	64,5	51,5	65	50	7	60	25	42,8	12,7	34,5	70	160
DN 32	1" 1/4	100	50	9	1" 1/4	69,5	56,5	65	50	7	70	32	42,8	12,7	43,5	80	160
DN 40	1" 1/2	114	57	14	1" 1/2	89	76	65	50	7	80	40	48,9	12,7	49,5	95	190
DN 50	2"	136	68	14	2"	95	82	65	50	7	90	50	61,4	15,8	61,5	100	190



ITEM 420

ACCIAIO INOX STAINLESS STEEL CON ATTUATORE WITH ACTUATOR



CON ATTUATORE PNEUMATICO DOPPIO EFFETTO WITH DOUBLE ACTING PNEUMATIC ACTUATOR

MISURA SIZE		ARTICOLO ITEM CODE	ATTUATORE ACTUATOR	KIT montaggio Mounting KIT	L [mm]	H [mm]	Kg	ATEX
DN [mm]	[inch]							
DN 10	3/8"	DG420H0*3	DAN0015411S	KCF045293	159,0	113,3	1,3	DG420H0*3YX
DN 15	1/2"	DG420H0*4	DAN0015411S	KCF045293	159,0	113,3	1,3	DG420H0*4YX
DN 20	3/4"	DG420H0*5	DAN0015411S	KCF045293	159,0	116,8	1,4	DG420H0*5YX
DN 25	1"	DG420H0*6	DAN0030411S	KCF045294	174,2	130,3	2,6	DG420H0*6YX
DN 32	1" 1/4	DG420H0*7	DAN0030411S	KCF045294	174,2	135,3	2,9	DG420H0*7YX
DN 40	1" 1/2	DG420H0*8	DAN0060412S	KCF055296	198,0	161,3	4,4	DG420H0*8YX
DN 50	2"	DG420H0*9	DAN0060412S	KCF055296	198,0	174,0	5,8	DG420H0*9YX

CON ATTUATORE PNEUMATICO SEMPLICE EFFETTO WITH SPRING RETURN PNEUMATIC ACTUATOR

MISURA SIZE		ARTICOLO ITEM CODE	ATTUATORE ACTUATOR	KIT montaggio Mounting KIT	L [mm]	H [mm]	Kg	ATEX
DN [mm]	[inch]							
DN 10	3/8"	SG420H0*3	SRN0015401S	KCF045293	233,2	120,3	1,7	SG420H0*3YX
DN 15	1/2"	SG420H0*4	SRN0015401S	KCF045293	233,2	120,3	1,7	SG420H0*4YX
DN 20	3/4"	SG420H0*5	SRN0015401S	KCF045293	233,2	123,8	1,9	SG420H0*5YX
DN 25	1"	SG420H0*6	SRN0030402S	KCF055295	258,8	141,5	3,3	SG420H0*6YX
DN 32	1" 1/4	SG420H0*7	SRN0030402S	KCF055295	258,8	146,5	3,6	SG420H0*7YX
DN 40	1" 1/2	SG420H0*8	SRN0053401S	KCF075297	304,2	178,8	6,0	SG420H0*8YX
DN 50	2"	SG420H0*9	SRN0060401S	KCF075297	338,5	190,6	7,3	SG420H0*9YX

* = 0 Valvola filettata (articolo DG420H00_) Threaded ends (model DG420H00_);

* = 8 Valvola a saldare di tasca (articolo DG420H08_) Socket welding (model DG420H08_);

* = 9 Valvola da saldare di testa (articolo DG420H09_) Butt welding (model DG420H09_).

Dimensionamento degli attuatori pneumatici fatto considerando una pressione minima di alimentazione pari a 5,6 barg. Sizing of pneumatic actuators by minimum pressure rate 5,6 barg.

A richiesta, articoli disponibili anche con attuatori elettrici.
On request, items available also with electric actuators.





ITEM 424

VALVOLA A SFERA IN ACCIAIO INOX MICROFUSA IN 3 PEZZI 2 VIE FILETTATA O DA SALDARE PASSAGGIO INTEGRALE PN 63.

2-WAY FULL-BORE THREE PIECE CASTED STAINLESS STEEL BALL VALVE THREE-ENDED-ENDS OR BUTT WELD - PN 63.



CARATTERISTICHE GENERALI:

- Costruita in 3 pezzi per facilitare l'intervento su impianti ad alta frequenza di manutenzione.
- Estremità: filettate a norma ISO 7/1; a saldare di testa; a saldare di tasca.
- Guarnizioni standard della sfera in PTFE vergine.
- Temperatura di utilizzo: da -20°C a + 180°C (vedi diagramma).
- Pressione di utilizzo: vedi diagramma.
- Fluido intercettato: aria, acqua, gas, prodotti petroliferi e petrolchimici, fluidi aggressivi.
- Flangia montaggio attuatore a norma ISO 5211.
- Per versione con leva: sistema di lucchettaggio integrato.

ESECUZIONI SPECIALI A RICHIESTA:

- Guarnizioni di tenuta in: RPTFE (caricate vetro 15%); CTFE (caricate grafite 25%); TFM1600.
- Per altre applicazioni contattare il nostro ufficio commerciale.

CERTIFICAZIONI:

- Versione ATEX in conformità alla Direttiva Europea 2014/34/UE.
- Certificato ATEX a richiesta.
- Conforme alla Direttiva Europea 2014/68/UE PED.

GENERAL FEATURES:

- *Manufactured in three pieces to facilitate replacement on plants which requires frequent maintenance.*
- *Ends: threads as per ISO 7/1; socket welding; butt welding.*
- *Standard seals: PTFE.*
- *Working temperature: from -20°C to +180°C (see diagram).*
- *Working pressure: see diagram.*
- *Fluid range: air, water, gas, petroleum and petrochemical products, aggressive media.*
- *ISO 5211 flange connection.*
- *Integrated locking device for lever version.*

ON REQUEST:

- *Seals made of: RPTFE (15% glass filled); CTFE (25% carbon filled); TFM 1600.*
- *For other applications, please contact our sales department.*

CERTIFICATIONS:

- *ATEX version in conformity with European Directive 2014/34/EU.*
- *ATEX certificate on request.*
- *In compliance with European Directive 2014/68/EU PED.*



DIAGRAMMA PRESSIONE/TEMPERATURA PRESSURE/TEMPERATURE DIAGRAM

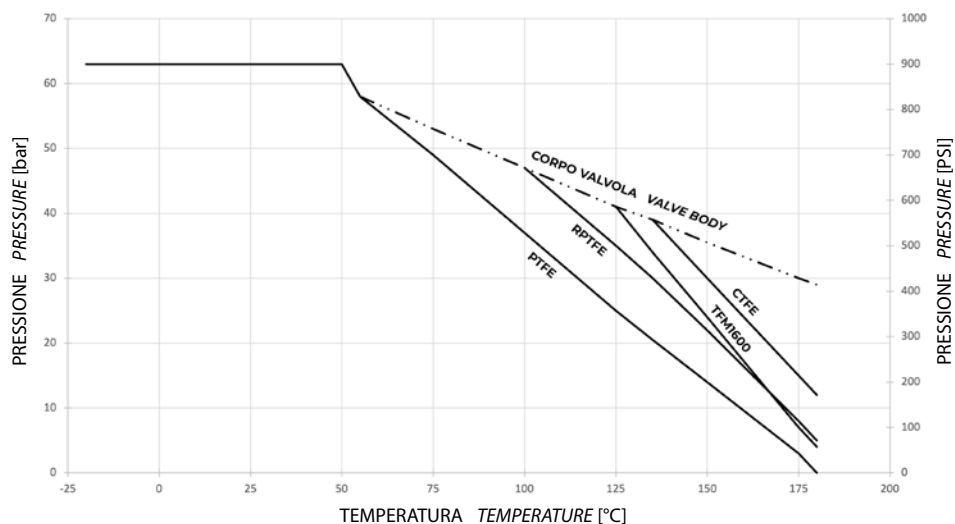
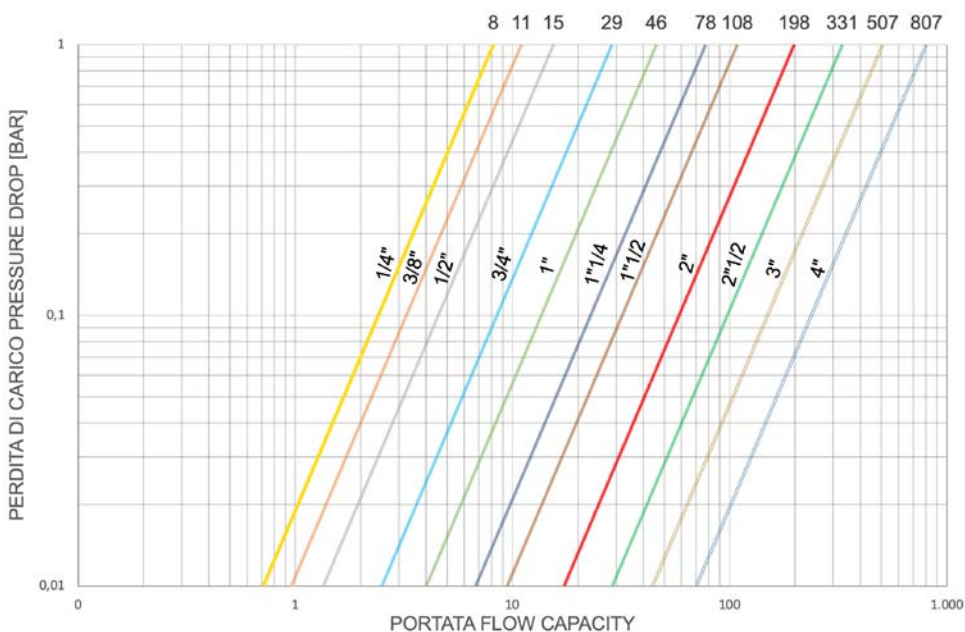


DIAGRAMMA PORTATA/PERDITA DI CARICO E COEFFICIENTE NOMINALE Kv FLOW/PRESSURE LOSS DIAGRAM AND Kv NOMINAL COEFFICIENT



Il valore Kv è il valore di portata in m³/h (con acqua a 15°C) che provoca la caduta di pressione di 1 bar.

Kv is the coefficient, expressed in m³/h (with water at 15°C) causing a pressure loss of 1 bar.

	COPPIE DI SPUNTO in Nm					BREAKAWAY TORQUES Nm					
MISURA SIZE	DN 8 1/4"	DN 10 3/8"	DN 15 1/2"	DN 20 3/4"	DN 25 1"	DN 32 1 1/4"	DN 40 1 1/2"	DN 50 2"	DN 65 2 1/2"	DN 80 3"	DN 100 4"
PN 63 bar	6	7	8	10	14	20	29	42	85	146	235

I valori della coppia possono variare in funzione della temperatura e del tipo di fluido. Considerare un fattore di sicurezza pari a 1,4. Con frequenti cicli di apertura e chiusura la coppia di manovra può diminuire sensibilmente rispetto a quella iniziale. Gli accoppiamenti attuatore/valvola, riportati nelle pagine seguenti, sono realizzati per valvole che intercettano fluidi liquidi o gassosi, puliti e per medie temperature. Per maggiori informazioni, o utilizzi diversi, consultare il nostro ufficio commerciale.

Torque can vary depending on temperature and type of fluid; a safety factor of 1.4 must be applied. Torque can drop on high frequency of operations. The actuator/valve sizing, indicated on the following pages, are based for valves to be used with liquids or gaseous fluids, clean, and for medium temperatures. For further information, or different uses please contact our sales department.

STAINLESS STEEL BALL VALVES



ITEM 424

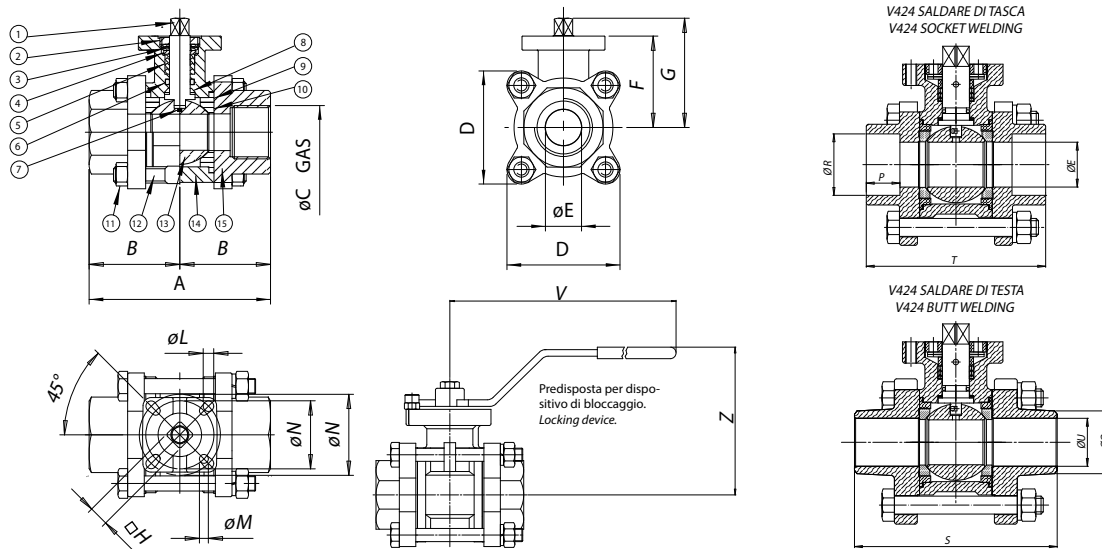
ACCIAIO INOX STAINLESS STEEL

ASSE LIBERO E CON LEVA FREE SHAFT AND WITH LEVER

MISURA SIZE		ASSE LIBERO FREE SHAFT			CON LEVA WITH LEVER			Kit guarnizioni Seals kit
DN [mm]	[inch]	Asse libero Free shaft	→ ATEX	Kg	Con leva With lever	→ ATEX	Kit leva Lever kit	
DN 08	1/4"	V424H * 2	V424H * 2YX	0,57	L424H * 2	L424H * 2YX	KLV42402	KGBV6002
DN 10	3/8"	V424H * 3	V424H * 3YX	0,57	L424H * 3	L424H * 3YX	KLV42402	KGBV6003
DN 15	1/2"	V424H * 4	V424H * 4YX	0,67	L424H * 4	L424H * 4YX	KLV42402	KGBV6004
DN 20	3/4"	V424H * 5	V424H * 5YX	0,93	L424H * 5	L424H * 5YX	KLV42402	KGBV6005
DN 25	1"	V424H * 6G	V424H * 6GYX	1,5	L424H * 6G	L424H * 6GYX	KLV42406	KGBV6006
DN 32	1" 1/4	V424H * 7G	V424H * 7GYX	1,9	L424H * 7G	L424H * 7GYX	KLV42406	KGBV6007
DN 40	1" 1/2	V424H * 8	V424H * 8YX	3,05	L424H * 8	L424H * 8YX	KLV42408	KGBV6008
DN 50	2"	V424H * 9G	V424H * 9GYX	4,14	L424H * 9G	L424H * 9GYX	KLV42408	KGBV6009
DN 65	2" 1/2	V424H410G	V424H410GYX	9,6	L424H410G	L424H410GYX	KLV42410	KGBV6010
DN 80	3"	V424H411	V424H411YX	14	L424H411	L424H411YX	KLV42410	KGBV6011
DN 100	4"	V424H412	V424H412YX	22,5	L424H412	L424H412YX	KLV42412	KGBV6012

* = 40 valvola filettata (DN 65-DN 100 solo filettata); * = 40 threaded ends (DN 65-DN 100 threaded ends only)

* = 75 valvola a saldare di tasca; * = 75 socket welding * = 77 valvola da saldare di testa; * = 77 butt welding



MATERIALI MATERIALS

1	Stelo Shaft	316 S.S.	1.4401	UNI X5CrNiMo 17 12
2	Dado premiguarnizione Nut	304 S.S.	1.4301	UNI X5CrNi 18 10
3	Molla a tazza Belleville washer	301 S.S.	1.4310	UNI X12CrNi 17 07
4	Anello premiguarnizione Gland	304 S.S.	1.4301	UNI X5CrNi 18 10
5*	Guarnizione di tenuta stelo V-ring stem packing	P.T.F.E.		
6*	O-ring	FKM		
7	Dispositivo antistatico Antistatic device	316 S.S.	1.4401	UNI X5CrNiMo 17 12
8*	Guarnizione Pyramidal stem seal	P.T.F.E.		
9*	Centraggio guarnizione sfera Body gasket	P.T.F.E.		
10*	Guarnizione sfera Seal	P.T.F.E.		
11	Dado Nut	304 S.S.	1.4301	UNI X5CrNi 18 10
12	Tirante Bolt	304 S.S.	1.4301	UNI X5CrNi 18 10
13	Sfera Ball	316 S.S.	1.4401	UNI X5CrNiMo 17 12
14	Corpo Body	316 S.S.	1.4408	
15	Manicotto End cap	316 S.S.	1.4408	

* Particolari del kit di ricambio Components of spare part kit KGBV60...

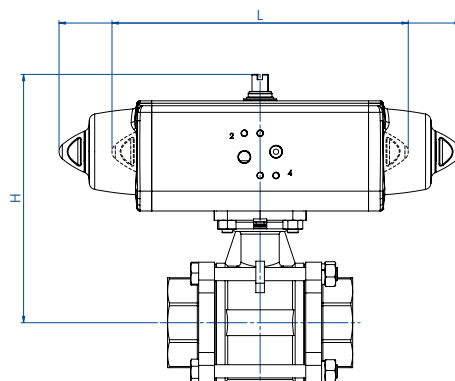
DIMENSIONI DIMENSIONS

MISURA SIZE	DN [mm]	[inch]	DIMENSIONI DIMENSIONS										THREADED END			SOCKET WELDING END			BUTT WELDING END			V	Z
			A	B	ØE	D	F	G	H	ØL	ØM	ØN	ØC	ØR	P	T	ØU	ØQ	S				
DN 08	1/4"		65	32,5	11,2	48,8	42	49,5	9	6	6	36-42	1/4"	14,3	13,0	65,0	10,4	14,8	70	150	78,0		
DN 10	3/8"		65	32,5	12,6	48,8	42	49,5	9	6	6	36-42	3/8"	17,7	13,0	65,0	13,7	18,5	70	150	78,0		
DN 15	1/2"		75	37,5	15,0	48,8	42	49,5	9	6	6	36-42	1/2"	22,0	16,0	75,0	15,0	21,0	75	150	78,0		
DN 20	3/4"		80	40,0	20,0	50,3	45	53,5	9	6	6	36-42	3/4"	27,5	16,0	80,0	21,4	28,3	90	150	82,5		
DN 25	1"		90	45,0	25,0	64,0	52	62,7	11	7	6	42-50	1"	34,3	17,0	90,0	27,2	35,5	100	200	91,5		
DN 32	1" 1/4		110	55,0	32,0	73,4	57	67,7	11	7	6	42-50	1" 1/4	43,0	20,0	110,0	35,5	43,7	110	200	95,5		
DN 40	1" 1/2		120	60,0	38,0	82,0	68	81,5	11	9	7	50-70	1" 1/2	49,0	20,0	120,0	41,2	50,0	125	250	112,0		
DN 50	2"		140	70,0	50,8	94,3	77	91,0	14	9	7	50-70	2"	61,4	22,0	140,0	52,7	63,0	150	250	118,5		
DN 65	2" 1/2		185	92,5	65,0	165,0	100	117	17	11	9	70-102	2" 1/2	77,2	33,0	185,0	65,3	77,2	190	300	140,0		
DN 80	3"		205	102,5	80,0	190,0	111	127,7	17	11	9	70-102	3"	90,0	34,3	205,0	79,5	89,8	220	300	151,0		
DN 100	4"		240	120,0	100,0	240,0	138	159,8	22	13	11	102-125	4"	115,4	41,0	240,0	102,3	115,4	270	400	178,0		



ITEM 424

ACCIAIO INOX STAINLESS STEEL CON ATTUATORE WITH ACTUATOR



CON ATTUATORE PNEUMATICO DOPPIO EFFETTO WITH DOUBLE ACTING PNEUMATIC ACTUATOR

MISURA SIZE		ARTICOLO ITEM CODE	ATTUATORE ACTUATOR	KIT montaggio Mounting KIT	L [mm]	H [mm]	Kg	ATEX
DN [mm]	[inch]							
DN 8	1/4"	DG424H*2	DAN0015411S	KCF042649	159,0	116,8	1,3	DG424H*2YX
DN 10	3/8"	DG424H*3	DAN0015411S	KCF042649	159,0	116,8	1,3	DG424H*3YX
DN 15	1/2"	DG424H*4	DAN0015411S	KCF042649	159,0	116,8	1,4	DG424H*4YX
DN 20	3/4"	DG424H*5	DAN0015411S	KCF042649	159,0	119,8	1,5	DG424H*5YX
DN 25	1"	DG424H*6	DAN0030411S	KCF042455	174,2	132,8	2,5	DG424H*6YX
DN 32	1" 1/4	DG424H*7	DAN0030411S	KCF042455	174,2	137,8	2,9	DG424H*7YX
DN 40	1" 1/2	DG424H*8	DAN0045412S	KCF042455	188,5	154,8	4,3	DG424H*8YX
DN 50	2"	DG424H*9	DAN0060412S	KCF052775	198,0	169,0	5,7	DG424H*9YX
DN 65	2" 1/2	DG424H410	DAN0120411S	KCF052775	244,1	208,6	12,3	DG424H410YX
DN 80	3"	DG424H411	DAN0240411S	KCF102734	313,6	254,7	17,6	DG424H411YX
DN 100	4"	DG424H412	DAN0360411S	KCF105285	339,3	292,0	27,3	DG424H412YX

CON ATTUATORE PNEUMATICO SEMPLICE EFFETTO WITH SPRING RETURN PNEUMATIC ACTUATOR

MISURA SIZE		ARTICOLO ITEM CODE	ATTUATORE ACTUATOR	KIT montaggio Mounting KIT	L [mm]	H [mm]	Kg	ATEX
DN [mm]	[inch]							
DN 8	1/4"	SG424H*2	SRN0015401S	KCF042649	233,2	122,8	1,7	SG424H*2YX
DN 10	3/8"	SG424H*3	SRN0015401S	KCF042649	233,2	122,8	1,7	SG424H*3YX
DN 15	1/2"	SG424H*4	SRN0015401S	KCF042649	233,2	122,8	1,8	SG424H*4YX
DN 20	3/4"	SG424H*5	SRN0015401S	KCF042649	233,2	125,8	1,9	SG424H*5YX
DN 25	1"	SG424H*6	SRN0030402S	KCF052655	258,8	144,0	3,2	SG424H*6YX
DN 32	1" 1/4	SG424H*7	SRN0030402S	KCF052655	258,8	150,0	3,6	SG424H*7YX
DN 40	1" 1/2	SG424H*8	SRN0053401S	KCF072732	304,2	174,8	6,0	SG424H*8YX
DN 50	2"	SG424H*9	SRN0060401S	KCF072849	338,5	187,6	7,2	SG424H*9YX
DN 65	2" 1/2	SG424H410	SRN0120401S	KCF102734	409,6	242,7	16,6	SG424H410YX
DN 80	3"	SG424H411	SRN0240401S	KCF122735	520,5	279,0	24,3	SG424H411YX
DN 100	4"	SG424H412	SRN0360401S	KCF125286	613,0	322,0	34,6	SG424H412YX

* = 40 Valvola filettata (DN 65 - DN 100 solo filettata) - Threaded ends (DN 65 - DN 100 threaded ends only);

* = 75 Valvola da saldare di tasca (articolo DG424H75_) - Socket welding (model DG424H75_);

* = 77 Valvola da saldare di testa (articolo DG424H77_) - Butt welding (model DG424H77_).

Dimensionamento degli attuatori pneumatici fatto considerando una pressione minima di alimentazione pari a 5,6 barg. Sizing of pneumatic actuators by minimum pressure rate 5,6 barg.

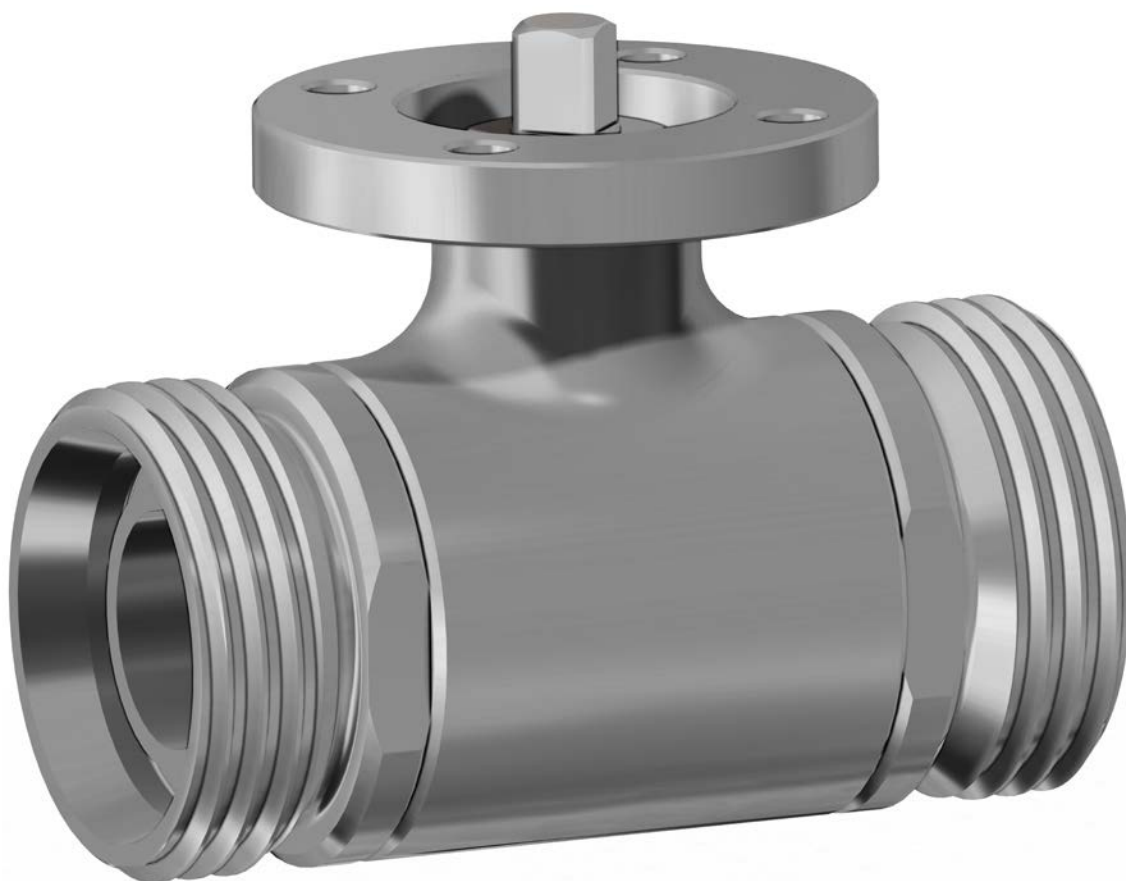
A richiesta, articoli disponibili anche con attuatori elettrici.
On request, items available also with electric actuators.





ITEM 434

VALVOLA A SFERA IN ACCIAIO INOX 2 VIE FILETTATA DIN 11851 PASSAGGIO INTEGRALE.
2-WAY FULL-BORE STAINLESS STEEL BALL VALVE, DIN 11851 THREADED-ENDS.



CARATTERISTICHE GENERALI:

- La valvola é costruita in 316L acciaio inox e si presta ad utilizzi che richiedono condizioni igieniche particolari (applicazioni in industria alimentare).
- Estremità a norma DIN 11851.
- Temperatura di utilizzo: da -20°C a + 150°C.
- Pressione di utilizzo: vedi diagramma.
- Fluido intercettato: per usi alimentari.
- Flangia montaggio attuatore a norma ISO 5211.
- **La versione con leva non ha la flangia montaggio attuatore a norma ISO 5211 e non è possibile montare alcun tipo di attuatore.**

ESECUZIONI SPECIALI A RICHIESTA:

- Attacchi: SMS - MACON - DIN maschio.
- Guarnizioni di tenuta in: PTFE caricato vetro;
PTFE caricato carbografite;
Polietilene alta densità.
- Per altre applicazioni contattare il nostro ufficio commerciale.

CERTIFICAZIONI:

- Versione ATEX in conformità alla Direttiva Europea 2014/34/UE.
- Certificato ATEX a richiesta.
- Conforme alla Direttiva Europea 2014/68/UE PED.

GENERAL FEATURES:

- *The valve is manufactured in 316L stainless steel and suggested for particular hygienic conditions (food industry applications).*
- *Ends: as per DIN 11851 specifications.*
- *Working temperature: from -20°C to +150°C.*
- *Working pressure: see diagram.*
- *Fluid range: food industries.*
- *ISO 5211 flange connection.*
- ***The manual version (with lever) doesn't have the ISO 5211 flange connection and its therefore not possible to mount on it any kind of actuators.***

ON REQUEST:

- *Connection: SMS - MACON - DIN male.*
- *Seals made of: PTFE glass filled;
PTFE with carbon graphite;
High-molecular weight polyethylene.*
- *For other applications, please contact our sales department.*

CERTIFICATIONS:

- *ATEX version in conformity with European Directive 2014/34/EU.*
- *ATEX certificate on request.*
- *In compliance with European Directive 2014/68/EU PED.*



DIAGRAMMA PRESSIONE/TEMPERATURA
PRESSURE/TEMPERATURE DIAGRAM

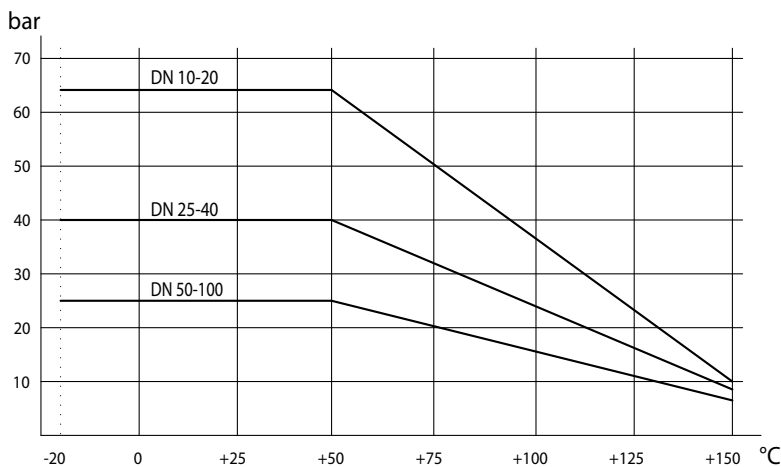
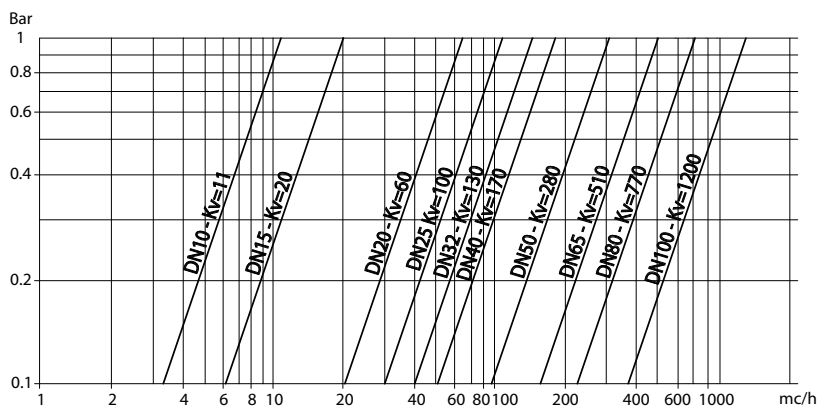


DIAGRAMMA PORTATA/PERDITA DI CARICO E COEFFICIENTE NOMINALE Kv
FLOW/PRESSURE LOSS DIAGRAM AND Kv NOMINAL COEFFICIENT



Il valore Kv è il valore di portata in m³/h (con acqua a 15°C) che provoca la caduta di pressione di 1 bar.

Kv is the coefficient, expressed in m³/h (with water at 15°C) causing a pressure loss of 1 bar.

STAINLESS STEEL BALL VALVES

	COPPIE DI SPUNTO in Nm					BREAKAWAY TORQUES Nm				
MISURA SIZE	DN 10 3/8"	DN 15 1/2"	DN 20 3/4"	DN 25 1"	DN 32 1 1/4"	DN 40 1 1/2"	DN 50 2"	DN 65 2 1/2"	DN 80 3"	DN 100 4"
PN 25 bar							41	63	95	148
PN 40 bar				15	20	28				
PN 63 bar	7	8	11							

I valori della coppia possono variare in funzione della temperatura e del tipo di fluido. Considerare un fattore di sicurezza pari a 1,4. Con frequenti cicli di apertura e chiusura la coppia di manovra può diminuire sensibilmente rispetto a quella iniziale. Gli accoppiamenti attuatore/valvola, riportati nelle pagine seguenti, sono realizzati per valvole che intercettano fluidi liquidi o gassosi, puliti e per medie temperature. Per maggiori informazioni, o utilizzi diversi, consultare il nostro ufficio commerciale.

Torque can vary depending on temperature and type of fluid; a safety factor of 1.4 must be applied. Torque can drop on high frequency of operations. The actuator/valve sizing, indicated on the following pages, are based for valves to be used with liquids or gaseous fluids, clean, and for medium temperatures. For further information, or different uses please contact our sales department.



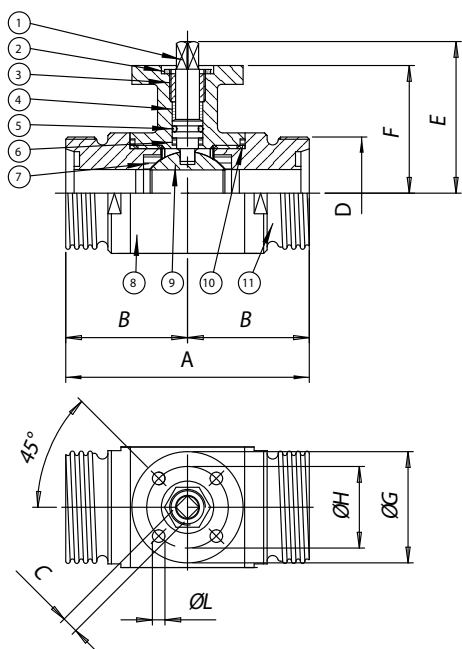
ITEM 434

ACCIAIO INOX STAINLESS STEEL

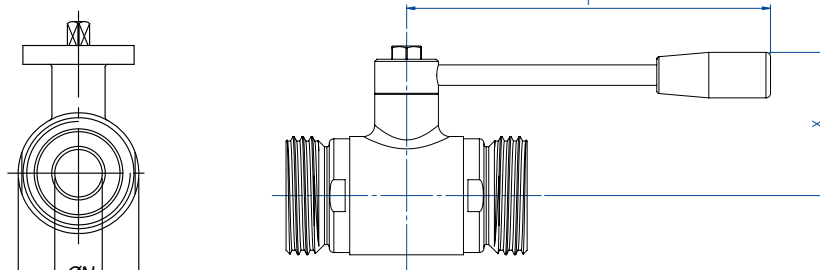
ASSE LIBERO E CON LEVA FREE SHAFT AND WITH LEVER

MISURA SIZE		ASSE LIBERO FREE SHAFT			CON LEVA WITH LEVER			Kit guarnizioni Seals kit
DN [mm]	[inch]	Asse libero Free shaft	→ ATEX	Kg	Con leva With lever	→ ATEX	Kg	
DN 10	3/8"	V434H633	V434H633YX	0,5	L434H633	L434H633YX	0,4	KGBV6303
DN 15	1/2"	V434H634	V434H634YX	0,6	L434H634	L434H634YX	0,6	KGBV6304
DN 20	3/4"	V434H635	V434H635YX	0,8	L434H635	L434H635YX	0,8	KGBV6305
DN 25	1"	V434H636	V434H636YX	1,3	L434H636	L434H636YX	1,3	KGBV6306
DN 32	1" 1/4	V434H637	V434H637YX	1,6	L434H637	L434H637YX	1,6	KGBV6307
DN 40	1" 1/2	V434H638	V434H638YX	2,6	L434H638	L434H638YX	2,7	KGBV6308
DN 50	2"	V434H639	V434H639YX	3,7	L434H639	L434H639YX	3,8	KGBV6309
DN 65	2" 1/2	V434H640	V434H640YX	6,2	L434H640	L434H640YX	6,2	KGBV6310
DN 80	3"	V434H641	V434H641YX	9,2	L434H641	L434H641YX	9,3	KGBV6311
DN 100	4"	V434H642G	V434H642GYX	14,3	L434H642	L434H642YX	14,0	KGBV6312

ASSE LIBERO FREE SHAFT



CON LEVA WITH LEVER



La versione con leva non ha la flangia montaggio attuatore a norma ISO 5211 e non è possibile montare alcun tipo di attuatore.

The manual version (with lever) doesn't have the ISO 5211 flange connection and its therefore not possible to mount on it any kind of actuators.

MATERIALI MATERIALS

1	Stelo Shaft	316L S.S.	1.4401	UNI X2CrNiMo 17 12
2	Dado Nut	303 S.S.		
3	Anello premiguarnizione Gland nut ring	304L S.S. (303 S.S.)		
4*	Anello di tenuta superiore Top tight ring	P.T.F.E.		
5*	O-ring di tenuta perno Shaft o-ring	FKM		
6*	Dischetto di tenuta perno Washer	P.T.F.E.		
7*	Guarnizioni di tenuta laterale Seals	P.T.F.E.		
8	Corpo Body	316L S.S.	1.4401	UNI X2CrNiMo 17 12
9	Sfera Ball	316L S.S.	1.4401	UNI X2CrNiMo 17 12
10*	Guarnizioni di tenuta manicotto End sealings	P.T.F.E.		
11	Manicotto femmina End	316L S.S.	1.4401	UNI X2CrNiMo 17 12

* Particolari del kit di ricambio Components of spare part kit KGBV63...

DIMENSIONI DIMENSIONS

MISURA SIZE		A	B	C	D	E	F	øG	øH	øL	øM	øN	X	Y
DN [mm]	[inch]													
DN 10	3/8"	88	44	6	28	47	39	46	36	6	30	10	50	110
DN 15	1/2"	92	46	6	34	49,5	41,5	46	36	6	35	15	55	110
DN 20	3/4"	102	51	6	44	53	45	46	36	6	42	20	60	110
DN 25	1"	106	53	9	52	64,5	51,5	65	50	7	52	25	65	160
DN 32	1" 1/4	112	56	9	58	69,5	56,5	65	50	7	60	32	70	160
DN 40	1" 1/2	126	63	14	65	89	76	65	50	7	74	40	80	190
DN 50	2"	136	68	14	78	97	84	65	50	7	90	50	90	190
DN 65	2" 1/2	154	68	17	95	109,5	94,5	90	70	9	110	65	110	220
DN 80	3"	184	92	17	110	121	106	90	70	9	141	80	130	285
DN 100	4"	190	95	17	130	135	120	125	102	11	160	100	150	310

**ITEM 434****ACCIAIO INOX STAINLESS STEEL
CON ATTUATORE WITH ACTUATOR****CON ATTUATORE PNEUMATICO DOPPIO EFFETTO
WITH DOUBLE ACTING PNEUMATIC ACTUATOR**

MISURA SIZE		ARTICOLO ITEM CODE	ATTUATORE ACTUATOR	KIT montaggio Mounting KIT	L [mm]	H [mm]	Kg	ATEX
DN [mm]	[inch]							
DN 10	3/8"	DG434H063	DAN0015411S	KCF045293	159,0	111,2	1,1	DG434H063YX
DN 15	1/2"	DG434H064	DAN0015411S	KCF045293	159,0	113,7	1,3	DG434H064YX
DN 20	3/4"	DG434H065	DAN0015411S	KCF045293	159,0	117,2	1,6	DG434H065YX
DN 25	1"	DG434H066	DAN0030411S	KCF045294	174,2	130,7	2,3	DG434H066YX
DN 32	1" 1/4	DG434H067	DAN0030411S	KCF045294	174,2	135,7	2,7	DG434H067YX
DN 40	1" 1/2	DG434H068	DAN0060412S	KCF055296	198,0	166,4	4,1	DG434H068YX
DN 50	2"	DG434H069	DAN0060412S	KCF055296	198,0	174,4	5,7	DG434H069YX
DN 65	2" 1/2	DG434H070	DAN0120411S	KCF075298	244,1	201,5	9,2	DG434H070YX
DN 80	3"	DG434H071	DAN0180411S	KCF105299	289,9	243,5	16,6	DG434H071YX
DN 100	4"	DG434H072	DAN0240411S	KCF105300	313,6	261,1	22,5	DG434H072YX

**CON ATTUATORE PNEUMATICO SEMPLICE EFFETTO
WITH SPRING RETURN PNEUMATIC ACTUATOR**

MISURA SIZE		ARTICOLO ITEM CODE	ATTUATORE ACTUATOR	KIT montaggio Mounting KIT	L [mm]	H [mm]	Kg	ATEX
DN [mm]	[inch]							
DN 10	3/8"	SG434H063	SRN0015401S	KCF045293	233,2	118,2	1,7	SG434H063YX
DN 15	1/2"	SG434H064	SRN0015401S	KCF045293	233,2	120,7	1,9	SG434H064YX
DN 20	3/4"	SG434H065	SRN0015401S	KCF045293	233,2	124,2	2,2	SG434H065YX
DN 25	1"	SG434H066	SRN0030402S	KCF055295	258,8	141,9	3,6	SG434H066YX
DN 32	1" 1/4	SG434H067	SRN0030402S	KCF055295	258,8	146,9	3,9	SG434H067YX
DN 40	1" 1/2	SG434H068	SRN0053401S	KCF075297	304,2	179,3	6,5	SG434H068YX
DN 50	2"	SG434H069	SRN0060401S	KCF075297	338,5	191,0	8,0	SG434H069YX
DN 65	2" 1/2	SG434H070	SRN0120401S	KCF105299	409,6	235,6	13,4	SG434H070YX
DN 80	3"	SG434H071	SRN0180401S	KCF105299	474,0	254,0	21,1	SG434H071YX
DN 100	4"	SG434H072	SRN0240401S	KCF125301	520,5	285,0	30,5	SG434H072YX

Dimensionamento degli attuatori pneumatici fatto considerando una pressione minima di alimentazione pari a 5,6 barg. Sizing of pneumatic actuators by minimum pressure rate 5,6 barg.

A richiesta, articoli disponibili anche con attuatori elettrici.
On request, items available also with electric actuators.

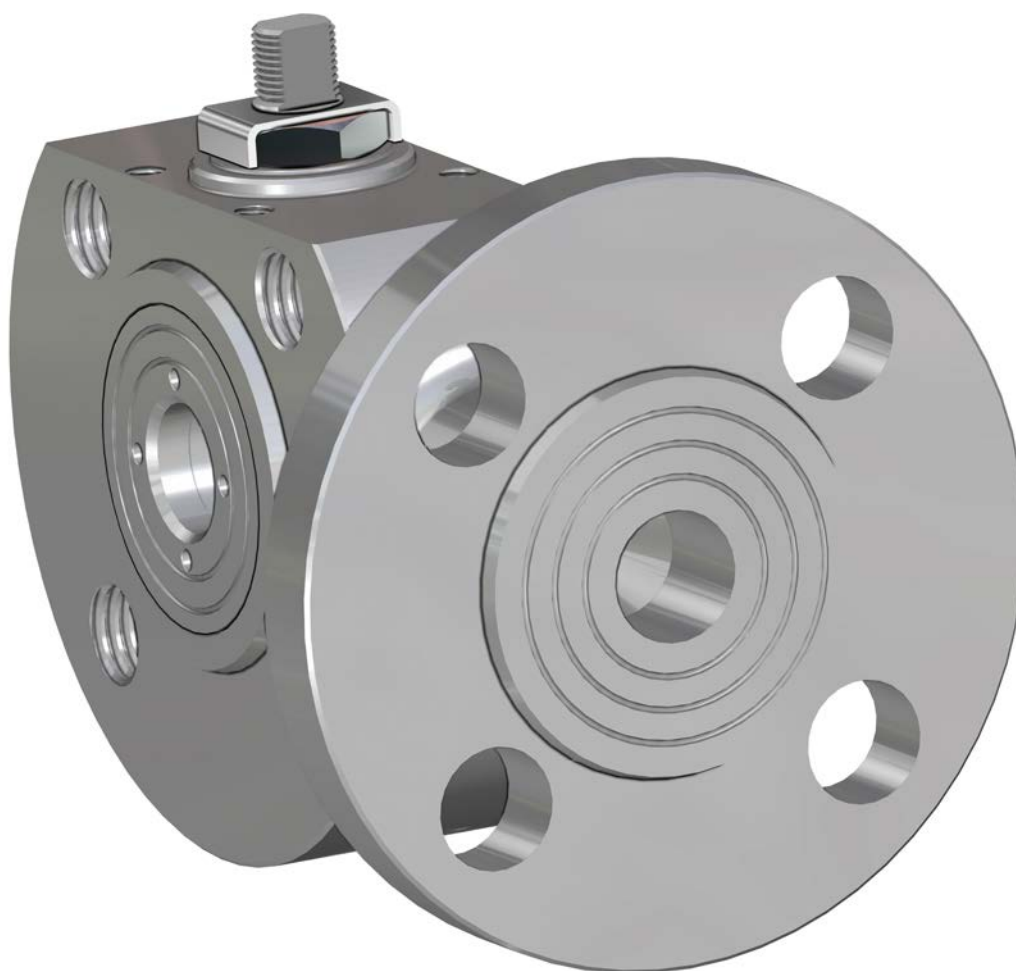




ITEM 445

VALVOLA A SFERA IN ACCIAIO INOX 3 VIE FLANGIATA A CORPO PIATTO SFERA A "L", A PASSAGGIO RIDOTTO.

3-WAY FLAT BODY FLANGED STAINLESS STEEL BALL VALVE "L" PORT, REDUCED BORE.



CARATTERISTICHE GENERALI:

- **La valvola funziona solo come deviatore. Non permette nessuna chiusura della mandata che può avvenire solo dalla via centrale; vedi schema.**
- Norme per flange d'attacco: EN 1092-1 PN40 fino a DN50; PN16 DN65,80,100.
- Temperatura di utilizzo: da -20°C a +150°C (+200°C con guarnizioni speciali).
- Pressione di utilizzo: PN 40 fino a DN50 PN16 oltre.
- Fluido intercettato: acqua, prodotti petroliferi e petrolchimici liquidi, liquidi aggressivi.
- Passaggio ridotto.

ESECUZIONI SPECIALI A RICHIESTA:

- Guarnizioni di tenuta in: PTFE caricato vetro;
PTFE caricato carbografite;
- Sfera a "T", vedere schema montaggio funzionamento.
- Per altre applicazioni contattare il nostro ufficio commerciale.

CERTIFICAZIONI:

- Versione ATEX in conformità alla Direttiva Europea 2014/34/UE.
- Certificato ATEX a richiesta.

GENERAL FEATURES:

- **The valve works only as a diverter. The closure can only take place from the central way; check diagram.**
- Flanges as per: EN 1092-1 PN40 fino a DN50; PN16 DN65,80,100.
- Working temperature: from -20°C to +150°C (+200°C with special seals).
- Working pressure: PN 40 up to DN50 PN16 above.
- Intercepted fluid: water, petroleum products, petrochemicals and other aggressive liquids.
- Reduced bore.

ON REQUEST:

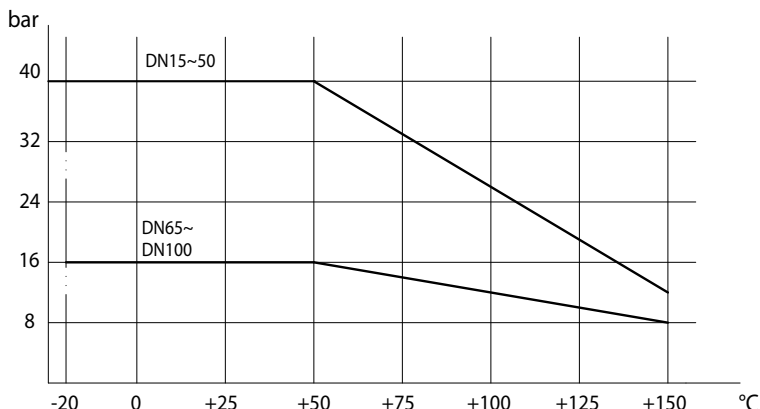
- Seals made of: PTFE glass filled;
PTFE with carbon graphite.
- "T" port, see mounting plan.
- For other applications, please contact our sales department.

CERTIFICATIONS:

- ATEX version in conformity with European Directive 2014/34/EU.
- ATEX certificate on request.



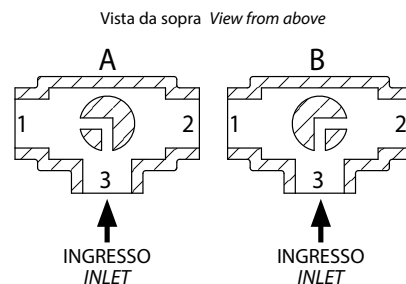
DIAGRAMMA PRESSIONE/TEMPERATURA PRESSURE/TEMPERATURE DIAGRAM



SCHEMA SFERA A "L" PLAN FOR "L" PORT

N.B.: Con attuatore **SR NORMALMENTE CHIUSO** la posizione di riposo della sfera deve essere la "A".
Con attuatore **SR NORMALMENTE APERTO** la posizione di riposo della sfera deve essere la "B".

N.B.: "A" must be the rest position of the ball with **SR FAIL CLOSE** actuator.
"B" must be the rest position of the ball with **SR FAIL OPEN** actuator.



SCHEMA SFERA A "T" (A RICHIESTA) PLAN FOR "T" PORT (ON REQUEST)

Con l'attuatore sono possibili solo due posizioni con rotazione di 90°: la configurazione della sfera deve essere sempre comunicata al nostro ufficio commerciale.

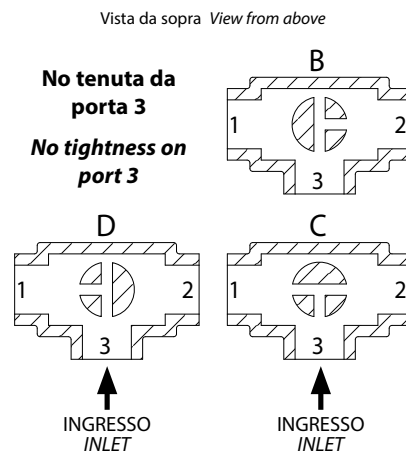
N.B.: Con attuatore **SR NORMALMENTE CHIUSO** scegliere la posizione di riposo della sfera; alimentando, l'attuatore ruota in senso antiorario.

Con attuatore **SR NORMALMENTE APERTO** scegliere la posizione di riposo della sfera; alimentando, l'attuatore ruota in senso orario.

With actuator 2 positions with 90° rotation are possible only: the configuration of the ball must always be communicated at our sales department.

N.B.: Choose the rest position of the ball with **SR FAIL CLOSE** actuator; whenever supplied with air, actuator turns in an anticlockwise direction.

Choose the rest position of the ball with **SR FAIL OPEN** actuator; whenever supplied with air, actuator turns in a clockwise direction.



	COPPIE DI SPUNTO in Nm					BREAKAWAY TORQUES Nm				
MISURA SIZE	DN 15 1/2"	DN 20 3/4"	DN 25 1"	DN 32 1 1/4"	DN 40 1 1/2"	DN 50 2"	DN 65 2 1/2"	DN 80 3"	DN 100 4"	
PN 16 bar							85	128	212	
PN 40 bar	8	13	20	30	42	61				

I valori della coppia possono variare in funzione della temperatura e del tipo di fluido. Considerare un fattore di sicurezza pari a 1,4.
Con frequenti cicli di apertura e chiusura la coppia di manovra può diminuire sensibilmente rispetto a quella iniziale. Gli accoppiamenti attuatore/valvola, riportati nelle pagine seguenti, sono realizzati per valvole che intercettano fluidi liquidi o gassosi, puliti e per medie temperature. Per maggiori informazioni, o utilizzi diversi, consultare il nostro ufficio commerciale.

Torque can vary depending on temperature and type of fluid; a safety factor of 1.4 must be applied. Torque can drop on high frequency of operations. The actuator/valve sizing, indicated on the following pages, are based for valves to be used with liquids or gaseous fluids, clean, and for medium temperatures. For further information, or different uses please contact our sales department.

STAINLESS STEEL BALL VALVES

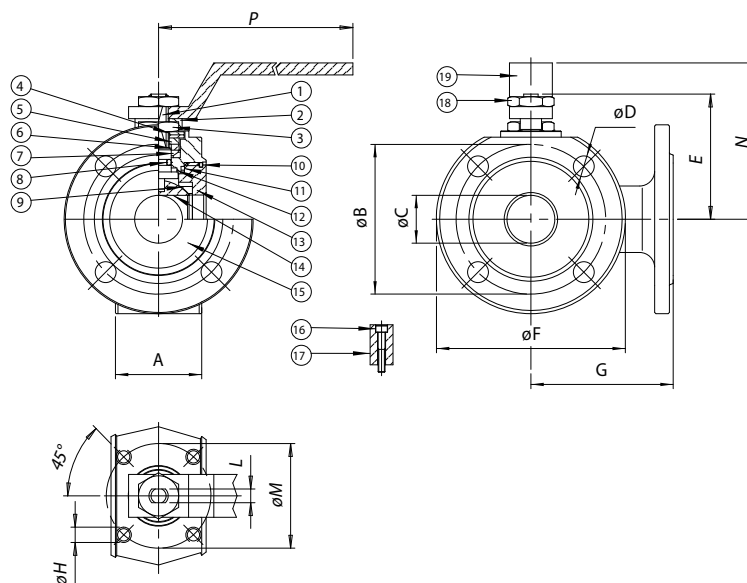


ITEM 445

ACCIAIO INOX STAINLESS STEEL

ASSE LIBERO E CON LEVA FREE SHAFT AND WITH LEVER

MISURA SIZE		ASSE LIBERO FREE SHAFT - "L" PORT			CON LEVA WITH LEVER - "L" PORT			Kit guarnizioni Seals kit
DN [mm]	[inch]	Asse libero Free shaft	→ ATEX	Kg	Con leva With lever	→ ATEX	Kg	
DN 15	1/2"	V445X604	V445X604YX	1,2	L445X604	L445X604YX	1,35	KGBV4404
DN 20	3/4"	V445X605	V445X605YX	2	L445X605	L445X605YX	2,15	KGBV4405
DN 25	1"	V445X606	V445X606YX	2,65	L445X606	L445X606YX	2,8	KGBV4406
DN 32	1" 1/4	V445X607	V445X607YX	3,8	L445X607	L445X607YX	4	KGBV4407
DN 40	1" 1/2	V445X608	V445X608YX	5,5	L445X608	L445X608YX	5,7	KGBV4408
DN 50	2"	V445X609	V445X609YX	6,2	L445X609	L445X609YX	6,5	KGBV4409
DN 65	2" 1/2	V445X610	V445X610YX	10	L445X610	L445X610YX	10,3	KGBV4410
DN 80	3"	V445X611	V445X611YX	11,2	L445X611	L445X611YX	11,7	KGBV4411
DN 100	4"	V445X612	V445X612YX	20,2	L445X612	L445X612YX	20,7	KGBV4412



MATERIALI MATERIALS				
1	Stelo Shaft	316 S.S.	1.4401	UNI X5CrNiMo 17 12
2	Piastra bolccadado Nut holder	304 S.S.	1.4301	UNI X5CrNi 18 10
3	Dado di bloccaggio Lock nut	304 S.S.	1.4301	UNI X5CrNi 18 10
4	Molla a tazza Belleville washer	301 S.S.	1.4310	UNI X5CrNiMo 17 12
5	Distanziale Ring	304 S.S.	1.4301	UNI X5CrNi 18 10
6*	Anello premiguarnizione Gland nut ring	304 S.S.	1.4301	UNI X5CrNi 18 10
7*	Coppia di tenuta superiore Top sealing	P.T.F.E.		
8*	O-ring di tenuta intermedia O-ring	FKM		
9*	Guarnizioni di tenuta laterale Seals	P.T.F.E.		
10*	O-ring di tenuta ghiera O-ring	FKM		
11*	Guarnizioni di tenuta ghiera Ring nut sealing	P.T.F.E.		
12*	Tenuta inferiore Bottom sealing	P.T.F.E.		
13	Ghiera Ring nut	316 S.S.	1.4401	UNI X5CrNiMo 17 12
14	Sfera Ball	316 S.S.	1.4401	UNI X5CrNiMo 17 12
15	Corpo Body	316 S.S.	1.4408	
16	Vite per fermo di posizione Holder screw	304 S.S.	1.4301	UNI X5CrNi 18 10
17	Fermo di posizione Holder	304 S.S.	1.4301	UNI X5CrNi 18 10
18	Dado blocca leva Lever nut	304 S.S.	1.4301	UNI X5CrNi 18 10
19	Leva di manovra Lever	304 S.S.	1.4301	UNI X5CrNi 18 10

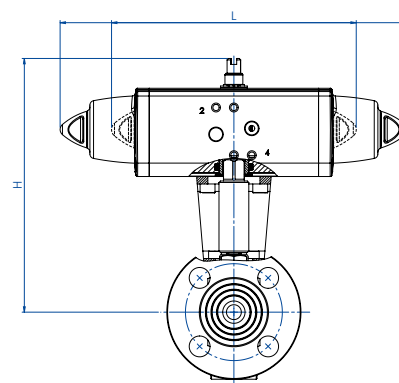
* Particolari del kit di ricambio Components of spare part kit KGBV44...

MISURA SIZE		DIMENSIONI DIMENSIONS												
DN [mm]	[inch]	A	øB	øC	øD	E	øF	G	øH	L	øM	N	P	
DN 15	1/2"	35	65	10	M12X4	48	90	85	M5	6	36	65	140	
DN 20	3/4"	38	75	15	M12X4	51	100	90	M5	6	36	70	140	
DN 25	1"	43	85	20	M12X4	62,5	110	90	M5	8	42	82	180	
DN 32	1" 1/4	54	100	25	M16X4	67	130	105	M5	8	42	85	180	
DN 40	1" 1/2	66	110	32	M16X4	80	140	120	M6	10	50	102	230	
DN 50	2"	83	125	40	M16X4	87	150	130	M6	10	50	110	230	
DN 65	2" 1/2	103	145	50	M16X4	119,5	175	150	M8	14	70	137,5	350	
DN 80	3"	122	160	65	M16X8	129,5	190	175	M8	14	70	150	350	
DN 100	4"	153	180	78	M16X8	148,5	220	185	M10	16	102	165	508	



ITEM 445

ACCIAIO INOX STAINLESS STEEL CON ATTUATORE WITH ACTUATOR



CON ATTUATORE PNEUMATICO DOPPIO EFFETTO WITH DOUBLE ACTING PNEUMATIC ACTUATOR

MISURA SIZE		ARTICOLO ITEM CODE	ATTUATORE ACTUATOR	KIT montaggio Mounting KIT	L [mm]	H [mm]	Kg	ATEX
DN [mm]	[inch]							
DN 15	1/2"	DG445H064	DAN0015411S	KCNAAHDS247	159,0	152,8	2,0	DG445H064YX
DN 20	3/4"	DG445H065	DAN0030411S	KCNAAHDS247	174,2	162,8	3,0	DG445H065YX
DN 25	1"	DG445H066	DAN0030411S	KCNBCHDS249	174,2	178,3	3,7	DG445H066YX
DN 32	1" 1/4	DG445H067	DAN0045412S	KCNBCHDS249	188,5	190,1	5,0	DG445H067YX
DN 40	1" 1/2	DG445H068	DAN0060412S	KCNCCCHDS251	198,0	200,0	7,1	DG445H068YX
DN 50	2"	DG445H069	DAN0106411S	KCNCCCHDS252	237,0	219,8	7,0	DG445H069YX
DN 65	2" 1/2	DG445H070	DAN0120411S	KCNDDHDS289	244,1	235,6	12,7	DG445H070YX
DN 80	3"	DG445H071	DAN0180411S	KCNDDHDS290	289,9	285,5	15,8	DG445H071YX
DN 100	4"	DG445H072	DAN0360411S	KCNEEHD5291	339,3	329,0	28,0	DG445H072YX

CON ATTUATORE PNEUMATICO SEMPLICE EFFETTO WITH SPRING RETURN PNEUMATIC ACTUATOR

MISURA SIZE		ARTICOLO ITEM CODE	ATTUATORE ACTUATOR	KIT montaggio Mounting KIT	L [mm]	H [mm]	Kg	ATEX
DN [mm]	[inch]							
DN 15	1/2"	SG445H064	SRN0015401S	KCNAAHDS247	233,2	159,8	2,0	SG445H064YX
DN 20	3/4"	SG445H065	SRN0030402S	KCNACHDS248	258,8	184,0	4,0	SG445H065YX
DN 25	1"	SG445H066	SRN0030402S	KCNBCHDS250	258,8	189,5	4,6	SG445H066YX
DN 32	1" 1/4	SG445H067	SRN0053401S	KCNBCHDS288	304,2	208,8	6,2	SG445H067YX
DN 40	1" 1/2	SG445H068	SRN0060401S	KCNCCCHDS252	338,5	216,6	8,9	SG445H068YX
DN 50	2"	SG445H069	SRN0090401S	KCNCDHDS253	393,7	253,5	9,0	SG445H069YX
DN 65	2" 1/2	SG445H070	SRN0120401S	KCNDDHDS290	409,6	279,7	16,4	SG445H070YX
DN 80	3"	SG445H071	SRN0180401S	KCNDDHDS290	474,0	297,0	21,0	SG445H071YX
DN 100	4"	SG445H072	SRN0360401S	KCNEEHD5292	613,0	359,0	38,0	SG445H072YX

Dimensionamento degli attuatori pneumatici fatto considerando una pressione minima di alimentazione pari a 5,6 barg. Sizing of pneumatic actuators by minimum pressure rate 5,6 barg.

A richiesta, articoli disponibili anche con attuatori elettrici.
On request, items available also with electric actuators.





ITEM 448

VALVOLA A SFERA IN ACCIAIO INOX 3 VIE FILETTATA CON SFERA A "L" - PASSAGGIO INTEGRALE.

3-WAY FULL-BORE THREADED-ENDS STAINLESS STEEL BALL VALVE, "L" PORT.



CARATTERISTICHE GENERALI:

- **La valvola funziona solo come deviatore. Non permette alcuna chiusura della mandata che può avvenire solo dalla via centrale;** vedi schema.
- La valvola é costruita in 316L acciaio inox.
- Temperatura di utilizzo: da -20°C a + 150°C.
- Pressione di utilizzo: vedi tabella.
- Fluido intercettato: aria, acqua, gas, olii, prodotti petroliferi e petrolchimici, fluidi aggressivi.
- Estremità filettate femmina a norma ISO 228.
- Flangia montaggio attuatore a norma ISO 5211.
- **La versione con leva non ha la flangia montaggio attuatore a norma ISO 5211 e non è possibile montare alcun tipo di attuatore.**

ESECUZIONI SPECIALI A RICHIESTA:

- Guarnizioni di tenuta in: PTFE caricato vetro;
PTFE caricato carbografite;
Polietilene alta densità.
- Per altre applicazioni contattare il nostro ufficio commerciale.

CERTIFICAZIONI:

- Versione ATEX in conformità alla Direttiva Europea 2014/34/UE.
- Certificato ATEX a richiesta.

GENERAL FEATURES:

- **The valve can be used as diverted only and the in let can be from the central way, only;** see plan.
- The valve is manufactured in 316L stainless steel.
- Working temperature: from -20°C to +150°C.
- Working pressure: see table.
- Fluid range: air, water, gas, oils, petroleum and petrochemical products, aggressive media.
- Female threaded ends as per ISO 228 specifications.
- ISO 5211 flange connection.
- **The manual version (with lever) doesn't have the ISO 5211 flange connection and its therefore not possible to mount on it any kind of actuators.**

ON REQUEST:

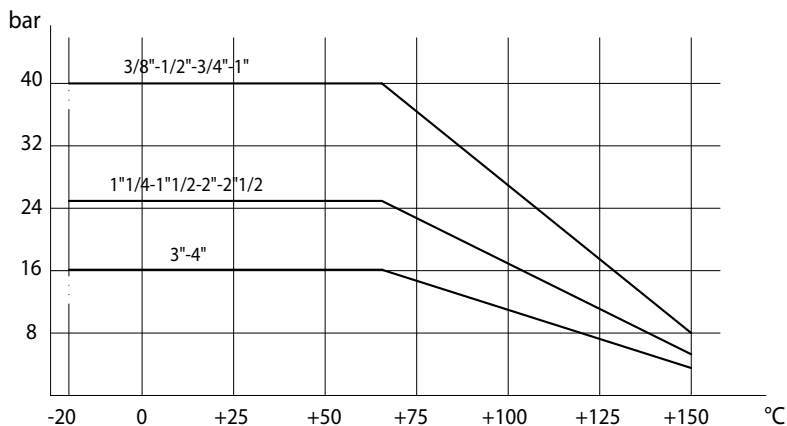
- Seals made of: PTFE glass filled;
PTFE with carbon graphite;
High-molecular weight polyethylene.
- For other applications, please contact our sales department.

CERTIFICATIONS:

- ATEX version in conformity with European Directive 2014/34/EU.
- ATEX certificate on request.



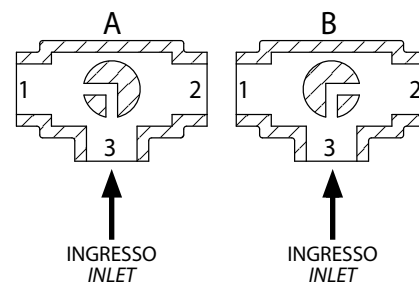
DIAGRAMMA PRESSIONE/TEMPERATURA
PRESSURE/TEMPERATURE DIAGRAM



SCHEMA SFERA A "L" PLAN FOR "L" PORT

N.B.: Con attuatore **SR NORMALMENTE CHIUSO** la posizione di riposo della sfera deve essere la "A".
Con attuatore **SR NORMALMENTE APERTO** la posizione di riposo della sfera deve essere la "B".

N.B.: "A" must be the rest position of the ball with **SR FAIL CLOSE** actuator.
"B" must be the rest position of the ball with **SR FAIL OPEN** actuator.



INGRESSO INLET

INGRESSO INLET

Vista da sopra View from above

STAINLESS STEEL BALL VALVES

	COPPIE DI SPUNTO in Nm				BREAKAWAY TORQUES Nm					
MISURA SIZE	DN 10 3/8"	DN 15 1/2"	DN 20 3/4"	DN 25 1"	DN 32 1"1/4"	DN 40 1"1/2"	DN 50 2"	DN 65 2"1/2"	DN 80 3"	DN 100 4"
PN 16 bar									140	215
PN 25 bar					28	41	61	90		
PN 40 bar	7	10	14	20						

I valori della coppia possono variare in funzione della temperatura e del tipo di fluido. Considerare un fattore di sicurezza pari a 1,4.
Con frequenti cicli di apertura e chiusura la coppia di manovra può diminuire sensibilmente rispetto a quella iniziale. Gli accoppiamenti attuatore/valvola, riportati nelle pagine seguenti, sono realizzati per valvole che intercettano fluidi liquidi o gassosi, puliti e per medie temperature. Per maggiori informazioni, o utilizzi diversi, consultare il nostro ufficio commerciale.

Torque can vary depending on temperature and type of fluid; a safety factor of 1.4 must be applied. Torque can drop on high frequency of operations. The actuator/valve sizing, indicated on the following pages, are based for valves to be used with liquids or gaseous fluids, clean, and for medium temperatures. For further information, or different uses please contact our sales department.



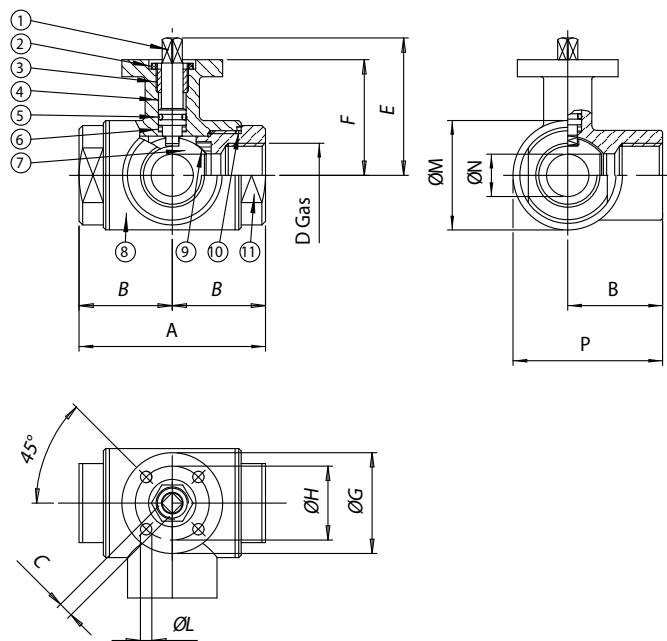
ITEM 448

ACCIAIO INOX STAINLESS STEEL

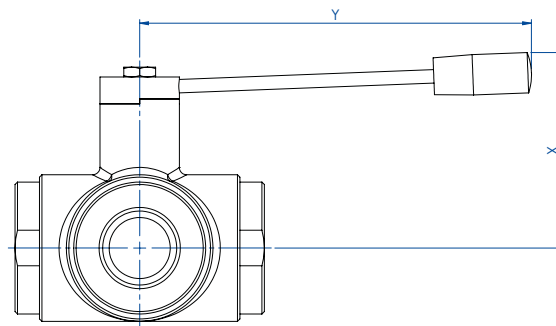
ASSE LIBERO E CON LEVA FREE SHAFT AND WITH LEVER

MISURA SIZE		ASSE LIBERO FREE SHAFT - "L" PORT			CON LEVA WITH LEVER - "L" PORT			Kit guarnizioni Seals kit
DN [mm]	[inch]	Asse libero Free shaft	→ ATEX	Kg	Con leva With lever	→ ATEX	Kg	
DN 10	3/8"	V448H403	V448H403YX	0,6	L448H403	L448H403YX	0,5	KGBV6603
DN 15	1/2"	V448H404	V448H404YX	0,8	L448H404	L448H404YX	0,7	KGBV6604
DN 20	3/4"	V448H405	V448H405YX	1,4	L448H405	L448H405YX	1,4	KGBV6605
DN 25	1"	V448H406	V448H406YX	1,9	L448H406	L448H406YX	1,8	KGBV6606
DN 32	1" 1/4	V448H407	V448H407YX	3,1	L448H407	L448H407YX	3,1	KGBV6607
DN 40	1" 1/2	V448H408	V448H408YX	4,9	L448H408	L448H408YX	5,0	KGBV6608
DN 50	2"	V448H409	V448H409YX	6,1	L448H409	L448H409YX	6,0	KGBV6609
DN 65	2" 1/2	V448H410	V448H410YX	8,7	L448H410	L448H410YX	8,8	KGBV6610
DN 80	3"	V448H411G	V448H411GYX	16,6	L448H411	L448H411YX	16,3	KGBV6611
DN 100	4"	V448H412G	V448H412GYX	28,0	L448H412	L448H412YX	27,3	KGBV6612

ASSE LIBERO FREE SHAFT



CON LEVA WITH LEVER



La versione con leva non ha la flangia montaggio attuatore a norma ISO 5211 e non è possibile montare alcun tipo di attuatore.

The manual version (with lever) doesn't have the ISO 5211 flange connection and its therefore not possible to mount on it any kind of actuators.

MATERIALI MATERIALS

1	Stelo Shaft	316L S.S.	1.4401	UNI X2CrNiMo 17 12
2	Dado Nut	303 S.S.		
3	Anello premiguarnizione Gland nut ring	304 S.S. (303 S.S.)		
4*	Anello di tenuta superiore Top tight ring	P.T.F.E.		
5*	O-ring di tenuta perno Shaft o-ring	FKM		
6*	Dischetto di tenuta perno Washer	P.T.F.E.		
7	Sfera Ball	316L S.S.	1.4401	UNI X2CrNiMo 17 12
8	Corpo Body	316L S.S.	1.4401	UNI X2CrNiMo 17 12
9*	Guarnizioni di tenuta laterale Seals	P.T.F.E.		
10*	Guarnizioni di tenuta manicotti End sealings	P.T.F.E.		
11	Manicotto femmina End	316L S.S.	1.4401	UNI X2CrNiMo 17 12

* Particolari del kit di ricambio Components of spare part kit KGBV66...

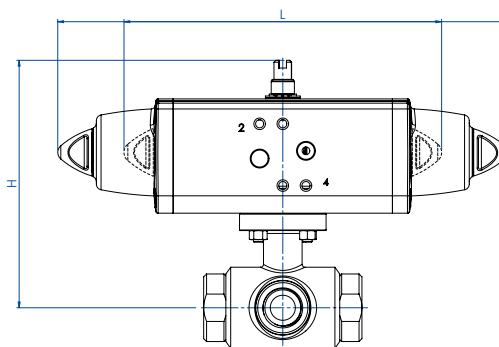
DIMENSIONI DIMENSIONS

MISURA SIZE		A	B	□C	D	E	F	øG	øH	øL	øM	øN	P	X	Y
DN [mm]	[inch]														
DN 10	3/8"	72	36	6	3/8"	54	46	46	36	6	35	10	53,5	60	110
DN 15	1/2"	82	41	6	1/2"	57	49	46	36	6	42	15	62	65	110
DN 20	3/4"	92	46	9	3/4"	69,5	56,5	65	36	7	52	20	72	70	160
DN 25	1"	102	51	9	1"	74	61	65	50	7	60	25	81	80	160
DN 32	1" 1/4	118	59	14	1" 1/4	94,5	81,5	65	50	7	72,5	32	95,3	95	190
DN 40	1" 1/2	134	67	14	1" 1/2	102	89	65	50	7	88	40	111	110	190
DN 50	2"	144	72	17	2"	106,5	91,5	65	70	9	101,5	50	122,8	120	220
DN 65	2" 1/2	160	80	17	2" 1/2	116,5	101,5	90	70	9	121	65	140,5	130	285
DN 80	3"	200	100	17	3"	131	116	125	102	11	150	80	175	145	310
DN 100	4"	240	120	17	4"	146	131	125	102	11	182	100	211	160	310



ITEM 448

ACCIAIO INOX STAINLESS STEEL CON ATTUATORE WITH ACTUATOR



CON ATTUATORE PNEUMATICO DOPPIO EFFETTO WITH DOUBLE ACTING PNEUMATIC ACTUATOR

MISURA SIZE		ARTICOLO ITEM CODE	ATTUATORE ACTUATOR	KIT montaggio Mounting KIT	L [mm]	H [mm]	Kg	ATEX
DN [mm]	[inch]							
DN 10	3/8"	DG448H003	DAN0015411S	KCF045293	159,0	118,2	1,3	DG448H003YX
DN 15	1/2"	DG448H004	DAN0015411S	KCF045293	159,0	121,2	1,5	DG448H004YX
DN 20	3/4"	DG448H005	DAN0030411S	KCF045294	174,2	135,7	2,7	DG448H005YX
DN 25	1"	DG448H006	DAN0030411S	KCF045294	174,2	140,2	3,1	DG448H006YX
DN 32	1" 1/4	DG448H007	DAN0060412S	KCF055296	198,0	171,9	4,7	DG448H007YX
DN 40	1" 1/2	DG448H008	DAN0060412S	KCF055296	198,0	179,4	6,7	DG448H008YX
DN 50	2"	DG448H009	DAN0106411S	KCF075298	237,0	194,8	9,1	DG448H009YX
DN 65	2" 1/2	DG448H010	DAN0120411S	KCF075298	244,1	208,5	11,8	DG448H010YX
DN 80	3"	DG448H011	DAN0240411S	KCF105300	313,6	257,1	22,4	DG448H011YX
DN 100	4"	DG448H012	DAN0360411S	KCF105300	339,3	279,0	34,2	DG448H012YX

CON ATTUATORE PNEUMATICO SEMPLICE EFFETTO WITH SPRING RETURN PNEUMATIC ACTUATOR

MISURA SIZE		ARTICOLO ITEM CODE	ATTUATORE ACTUATOR	KIT montaggio Mounting KIT	L [mm]	H [mm]	Kg	ATEX
DN [mm]	[inch]							
DN 10	3/8"	SG448H003	SRN0015401S	KCF045293	233,2	125,2	1,7	SG448H003YX
DN 15	1/2"	SG448H004	SRN0015401S	KCF045293	233,2	128,2	1,9	SG448H004YX
DN 20	3/4"	SG448H005	SRN0030402S	KCF055295	258,8	146,9	3,4	SG448H005YX
DN 25	1"	SG448H006	SRN0030402S	KCF055295	258,8	151,4	3,8	SG448H006YX
DN 32	1" 1/4	SG448H007	SRN0053401S	KCF075297	304,2	184,8	6,1	SG448H007YX
DN 40	1" 1/2	SG448H008	SRN0060401S	KCF075297	338,5	196,0	8,2	SG448H008YX
DN 50	2"	SG448H009	SRN0090401S	KCF105299	393,7	229,0	11,6	SG448H009YX
DN 65	2" 1/2	SG448H010	SRN0120401S	KCF105299	409,6	242,6	15,3	SG448H010YX
DN 80	3"	SG448H011	SRN0240401S	KCF125301	520,5	281,0	28,2	SG448H011YX
DN 100	4"	SG448H012	SRN0360401S	KCF125301	613,0	309,0	45,6	SG448H012YX

Dimensionamento degli attuatori pneumatici fatto considerando una pressione minima di alimentazione pari a 5,6 barg. Sizing of pneumatic actuators by minimum pressure rate 5,6 barg.

A richiesta, articoli disponibili anche con attuatori elettrici.
On request, items available also with electric actuators.





ITEM 450-451

VALVOLA A SFERA IN ACCIAIO INOX 3 VIE 4 GUANIZIONI, FILETTATA CON SFERA A "T" O "L" - PASSAGGIO INTEGRALE.

3 WAY 4 SEALS, FULL-BORE THREADED-ENDS STAINLESS STEEL BALL VALVE, "T" OR "L" PORT.

ITEM 450

Valvola con sfera a "T"

ITEM 451

Valvola con sfera a "L"



ITEM 450

Valve "T" port

ITEM 451

Valve "L" port

CARATTERISTICHE GENERALI:

- La valvola è costruita in 316L acciaio inox, con 4 guarnizioni sulla sfera. Per il funzionamento vedere lo schema.
- Temperatura di utilizzo: da -20°C a + 150°C.
- Pressione di utilizzo: vedi tabella.
- Fluido intercettato: per usi alimentari.
- Trattamento esterno: lucidata.
- Estremità filettate femmina a norma ISO 228.
- Flangia montaggio attuatore a norma ISO 5211.
- **La versione con leva non ha la flangia montaggio attuatore a norma ISO 5211 e non è possibile montare alcun tipo di attuatore.**

GENERAL FEATURES:

- *The valve is manufactured in 316L stainless steel with 4 seals on ball. See plant for the operation.*
- *Working temperature: from -20°C to +150°C.*
- *Working pressure: see table.*
- *Fluid range: food industry.*
- *Surface treatment: polished.*
- *Threaded ends as per ISO 228 specifications.*
- *ISO 5211 flange connection.*
- ***The manual version (with lever) doesn't have the ISO 5211 flange connection and its therefore not possible to mount on it any kind of actuators.***

ESECUZIONI SPECIALI A RICHIESTA:

- Attacchi: NPT.
- Guarnizioni di tenuta in: PTFE caricato vetro;
PTFE caricato carbografite;
Polietilene alta densità.
- Per altre applicazioni contattare il nostro ufficio commerciale.

ON REQUEST:

- Connection: NPT.
- Seals made of: PTFE glass filled;
PTFE with carbon graphite;
High-molecular weight polyethylene.
- For other applications, please contact our sales department.

CERTIFICAZIONI:

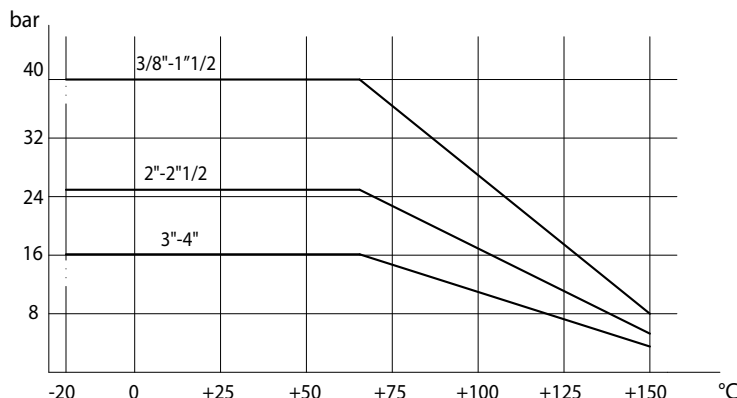
- Versione ATEX in conformità alla Direttiva Europea 2014/34/UE.
- Certificato ATEX a richiesta.

CERTIFICATIONS:

- ATEX version in conformity with European Directive 2014/34/EU.
- ATEX certificate on request.



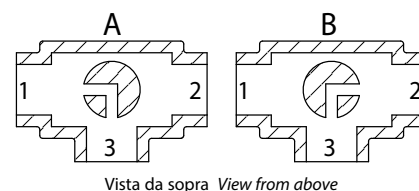
DIAGRAMMA PRESSIONE/TEMPERATURA PRESSURE/TEMPERATURE DIAGRAM



SCHEMA SFERA A "L" PLAN FOR "L" PORT

N.B.: Con attuatore **SR NORMALMENTE CHIUSO** la posizione di riposo della sfera deve essere la "A".
Con attuatore **SR NORMALMENTE APERTO** la posizione di riposo della sfera deve essere la "B".

N.B.: "A" must be the rest position of the ball with **SR FAIL CLOSE** actuator.
"B" must be the rest position of the ball with **SR FAIL OPEN** actuator.



SCHEMA SFERA A "T" PLAN FOR "T" PORT

Con l'attuatore sono possibili solo due posizioni con rotazione di 90°: la configurazione della sfera deve essere sempre comunicata al nostro ufficio commerciale.

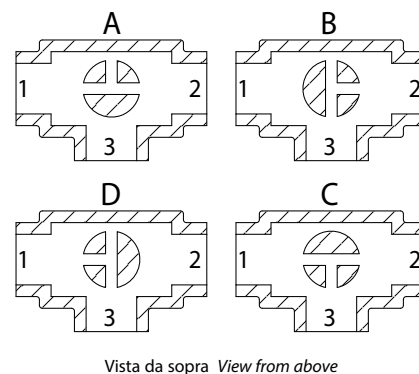
N.B.: Con attuatore **SR NORMALMENTE CHIUSO** scegliere la posizione di riposo della sfera; alimentando, l'attuatore ruota in senso antiorario.

Con attuatore **SR NORMALMENTE APERTO** scegliere la posizione di riposo della sfera; alimentando, l'attuatore ruota in senso orario.

With actuator 2 positions with 90° rotation are possible only: the configuration of the ball must always be communicated at our sales department.

N.B.: Choose the rest position of the ball with **SR FAIL CLOSE** actuator; whenever supplied with air, actuator turns in an anticlockwise direction.

Choose the rest position of the ball with **SR FAIL OPEN** actuator; whenever supplied with air, actuator turns in a clockwise direction.



MISURA SIZE	COPPIE DI SPUNTO in Nm					BREAKAWAY TORQUES Nm				
	DN 10 3/8"	DN 15 1/2"	DN 20 3/4"	DN 25 1"	DN 32 1 1/4"	DN 40 1 1/2"	DN 50 2"	DN 65 2 1/2"	DN 80 3"	DN 100 4"
PN 16 bar									212	304
PN 25 bar							83	142		
PN 40 bar	9	18	23	27	36	54				

I valori della coppia possono variare in funzione della temperatura e del tipo di fluido. Considerare un fattore di sicurezza pari a 1,4.
Con frequenti cicli di apertura e chiusura la coppia di manovra può diminuire sensibilmente rispetto a quella iniziale. Gli accoppiamenti attuatore/valvola, riportati nelle pagine seguenti, sono realizzati per valvole che intercettano fluidi liquidi o gassosi, puliti e per medie temperature. Per maggiori informazioni, o utilizzi diversi, consultare il nostro ufficio commerciale.

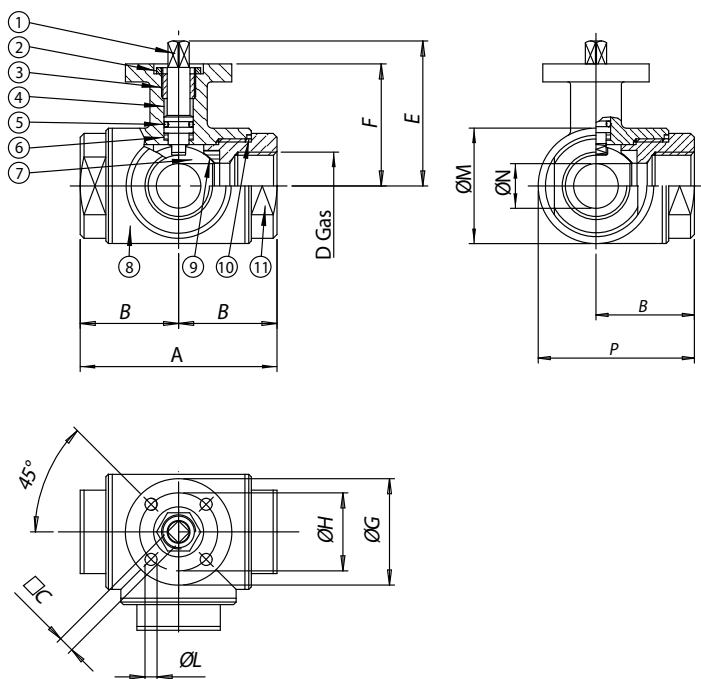
Torque can vary depending on temperature and type of fluid; a safety factor of 1.4 must be applied. Torque can drop on high frequency of operations. The actuator/valve sizing, indicated on the following pages, are based for valves to be used with liquids or gaseous fluids, clean, and for medium temperatures. For further information, or different uses please contact our sales department.



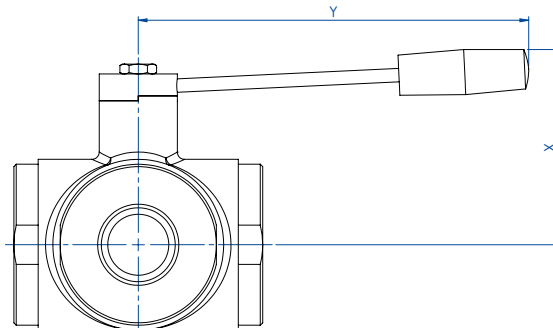
ITEM 450-451 ACCIAIO INOX STAINLESS STEEL ASSE LIBERO E CON LEVA FREE SHAFT AND WITH LEVER

MISURA SIZE		ASSE LIBERO FREE SHAFT				CON LEVA WITH LEVER				Kit guarnizioni Seals kit		
DN [mm]	[inch]	Asse libero Free shaft "T" port → ATEX	Asse libero Free shaft "L" port → ATEX	Kg	Con leva With lever "T" port → ATEX	Con leva With lever "L" port → ATEX	Kg					
DN 10	3/8"	V450H403	V450H403YX	V451H403	V451H403YX	0,9	L450H403	L450H403YX	L451H403	L451H403YX	0,9	KGBV4503
DN 15	1/2"	V450H404G	V450H404GYX	V451H404G	V451H404GYX	1,3	L450H404	L450H404YX	L451H404	L451H404YX	1,2	KGBV4504
DN 20	3/4"	V450H405	V450H405YX	V451H405	V451H405YX	1,9	L450H405	L450H405YX	L451H405	L451H405YX	1,9	KGBV4505
DN 25	1"	V450H406	V450H406YX	V451H406	V451H406YX	2,7	L450H406	L450H406YX	L451H406	L451H406YX	2,5	KGBV4506
DN 32	1" 1/4	V450H407G	V450H407GYX	V451H407G	V451H407GYX	5,0	L450H407	L450H407YX	L451H407	L451H407YX	4,4	KGBV4507
DN 40	1" 1/2	V450H408G	V450H408GYX	V451H408G	V451H408GYX	6,8	L450H408	L450H408YX	L451H408	L451H408YX	6,7	KGBV4508
DN 50	2"	V450H409	V450H409YX	V451H409	V451H409YX	8,3	L450H409	L450H409YX	L451H409	L451H409YX	8,0	KGBV4509
DN 65	2" 1/2	V450H410G	V450H410GYX	V451H410G	V451H410GYX	10,3	L450H410	L450H410YX	L451H410	L451H410YX	9,8	KGBV4510
DN 80	3"	V450H411	V450H411YX	V451H411	V451H411YX	20,7	L450H411	L450H411YX	L451H411	L451H411YX	20,3	KGBV4511
DN 100	4"	V450H412	V450H412YX	V451H412	V451H412YX	33,0	L450H412	L450H412YX	L451H412	L451H412YX	32,8	KGBV4512

ASSE LIBERO FREE SHAFT



CON LEVA WITH LEVER



La versione con leva non ha la flangia montaggio attuatore a norma ISO 5211 e non è possibile montare alcun tipo di attuatore.

The manual version (with lever) doesn't have the ISO 5211 flange connection and its therefore not possible to mount on it any kind of actuators.

MATERIALI MATERIALS

1	Stelo Shaft	316L S.S.	1.4401	UNI X2CrNiMo 17 12
2	Dado Nut	303 S.S.		
3	Anello premiguarnizione Gland nut ring	304L S.S. (303 S.S.)		
4*	Anello di tenuta superiore Top tight ring	P.T.F.E.		
5*	O-ring di tenuta perno Shaft o-ring	FKM		
6*	Dischetto di tenuta perno Washer	P.T.F.E.		
7	Sfera Ball	316L S.S.	1.4401	UNI X2CrNiMo 17 12
8	Corpo Body	316L S.S.	1.4401	UNI X2CrNiMo 17 12
9*	Guarnizioni di tenuta laterale Seals	P.T.F.E.		
10*	Guarnizioni di tenuta manicotti End sealings	P.T.F.E.		
11	Manicotto femmina End	316L S.S.	1.4401	UNI X2CrNiMo 17 12

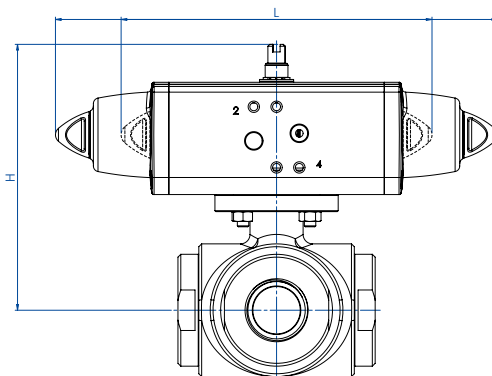
* Particolari del kit di ricambio Components of spare part kit KGBV45...

DIMENSIONI DIMENSIONS

MISURA SIZE	A	B	□C	D	E	F	ØG	ØH	ØL	ØM	ØN	P	X	Y	
DN [mm]	[inch]														
DN 10	3/8"	72	36	6	3/8"	54,5	46,5	46	36	6	45	12	58,5	60	110
DN 15	1/2"	82	41	6	1/2"	57	49	54	42	6	52	15	67	65	110
DN 20	3/4"	92	46	9	3/4"	69,5	56,5	65	50	7	60	20	76	70	160
DN 25	1"	102	51	9	1"	74	61	65	50	7	70	25	86	80	160
DN 32	1" 1/4	118	59	14	1" 1/4	94,5	81,5	90	70	9	85	32	101,5	95	190
DN 40	1" 1/2	134	67	14	1" 1/2	102	89	90	70	9	100	40	117	110	190
DN 50	2"	144	72	17	2"	106,5	91,5	90	70	9	110	50	127	120	220
DN 65	2" 1/2	160	80	17	2" 1/2	116,5	101,5	125	102	11	122	65	141	130	285
DN 80	3"	200	100	17	3"	134	116	125	102	11	150	80	175	145	310
DN 100	4"	240	120	17	4"	149	131	125	102	11	192	100	216	160	310



ITEM 450-451
ACCIAIO INOX STAINLESS STEEL
CON ATTUATORE WITH ACTUATOR



CON ATTUATORE PNEUMATICO DOPPIO EFFETTO
WITH DOUBLE ACTING PNEUMATIC ACTUATOR

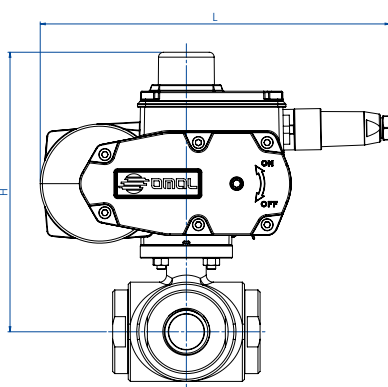
MISURA SIZE	ARTICOLO ITEM CODE	ATTUATORE ACTUATOR	KIT montaggio Mounting KIT	L [mm]	H [mm]	Kg	ATEX	
DN [inch]								
DN 10	3/8"	DG45*H003	DAN0015411S	KCF045293	159,0	118,7	1,7	DG45*H003YX
DN 15	1/2"	DG45*H004	DAN0030412S	KCF045293	174,2	128,2	2,3	DG45*H004YX
DN 20	3/4"	DG45*H005	DAN0045412S	KCF045294	188,5	141,0	3,3	DG45*H005YX
DN 25	1"	DG45*H006	DAN0045412S	KCF045294	188,5	145,5	3,9	DG45*H006YX
DN 32	1" 1/4	DG45*H007	DAN0060412S	KCF075298	198,0	171,9	6,2	DG45*H007YX
DN 40	1" 1/2	DG45*H008	DAN0106411S	KCF075304	237,0	192,3	9,5	DG45*H008YX
DN 50	2"	DG45*H009	DAN0120411S	KCF075298	244,1	198,5	11,3	DG45*H009YX
DN 65	2" 1/2	DG45*H010	DAN0240411S	KCF105300	313,6	242,6	15,9	DG45*H010YX
DN 80	3"	DG45*H011	DAN0360411S	KCF105300	339,3	264,0	27,9	DG45*H011YX
DN 100	4"	DG45*H012	DAN0480411S	KCF125301	387,6	295,9	43,6	DG45*H012YX

CON ATTUATORE PNEUMATICO SEMPLICE EFFETTO
WITH SPRING RETURN PNEUMATIC ACTUATOR

MISURA SIZE	ARTICOLO ITEM CODE	ATTUATORE ACTUATOR	KIT montaggio Mounting KIT	L [mm]	H [mm]	Kg	ATEX	
DN [inch]								
DN 10	3/8"	SG45*H003	SRN0015401S	KCF045293	233,2	125,7	2,2	SG45*H003YX
DN 15	1/2"	SG45*H004	SRN0030401S	KCF055302	258,8	139,4	3,2	SG45*H004YX
DN 20	3/4"	SG45*H005	SRN0053401S	KCF075303	258,8	159,8	5,1	SG45*H005YX
DN 25	1"	SG45*H006	SRN0053401S	KCF075303	304,2	164,3	5,7	SG45*H006YX
DN 32	1" 1/4	SG45*H007	SRN0060401S	KCF075304	338,5	188,5	8,0	SG45*H007YX
DN 40	1" 1/2	SG45*H008	SRN0090401S	KCF105305	393,7	226,5	12,9	SG45*H008YX
DN 50	2"	SG45*H009	SRN0120401S	KCF105299	409,6	232,6	15,5	SG45*H009YX
DN 65	2" 1/2	SG45*H010	SRN0240401S	KCF125301	520,5	266,5	22,3	SG45*H010YX
DN 80	3"	SG45*H011	SRN0360401S	KCF125301	613,0	294,0	37,9	SG45*H011YX
DN 100	4"	SG45*H012	SRN0480401S	KCF145306	648,2	329,0	56,7	SG45*H012YX

* = 0 valvola con sfera a "T" (articolo 450) - "T" port (model 450); * = 1 valvola con sfera a "L" (articolo 451) - "L" port (model 451)

Dimensionamento degli attuatori pneumatici fatto considerando una pressione minima di alimentazione pari a 5,6 barg. Sizing of pneumatic actuators by minimum pressure rate 5,6 barg.



CON ATTUATORE ELETTRICO ON-OFF (230 Vac)
WITH ON-OFF ELECTRIC ACTUATOR

MISURA SIZE	ARTICOLO ITEM CODE	ATTUATORE ACTUATOR	KIT montaggio Mounting KIT	L [mm]	H [mm]	Kg	
DN [inch]							
DN 10	3/8"	C45*ASE03	EA0035A5C000	KCF055302	250,0	183,5	4,6
DN 15	1/2"	C45*ASE04	EA0035A5C000	KCF055302	250,0	186,0	4,9
DN 20	3/4"	C45*ASE05	EA0035A5C000	KCF052621	250,0	193,5	5,7
DN 25	1"	C45*ASG06	EA0070A5C000	KCF052621	250,0	198,0	6,5
DN 32	1" 1/4	CG45*ASG07	EA0070A5C000	KCF075298	250,0	218,5	8,4
DN 40	1" 1/2	CG45*AS108	EA0130A5C000	KCF075304	280,0	246,5	14,2
DN 50	2"	C45*AS109	EA0130A5C000	KCF075298	280,0	249,0	15,9
DN 65	2" 1/2	CG45*ASK10	EA0240A5C000	KCF105300	280,0	259,0	18,0
DN 80	3"	E45*16N11	AE160040	KCE361987	256,5	301,0	30,4
DN 100	4"	E45*16R12	AE160060	KCE561985	381,0	365,0	54,5

CON ATTUATORE ELETTRICO MODULANTE (230 VAC)
WITH ROTARY MODULAR TYPE ELECTRIC ACTUATOR

MISURA SIZE	ARTICOLO ITEM CODE	ATTUATORE ACTUATOR	KIT montaggio Mounting KIT	L [mm]	H [mm]	Kg	
DN [inch]							
DN 10	3/8"	M45*16C03	AM160002	KCF055302	165,8	166,0	4,1
DN 15	1/2"	M45*16C04	AM160002	KCF055302	165,8	168,5	4,4
DN 20	3/4"	M45*16F05	AM160005	KCE285434	207,5	220,0	6,6
DN 25	1"	M45*16F06	AM160005	KCE285434	207,5	224,5	7,2
DN 32	1" 1/4	MG45*16L07	AM160020	KCE362068	256,5	266,5	13,3
DN 40	1" 1/2	MG45*16L08	AM160020	KCE362068	256,5	274,0	15,7
DN 50	2"	M45*16L09	AM160020	KCE362092	256,5	276,5	17,4
DN 65	2" 1/2	MG45*16L10	AM160020	KCE365427	256,5	286,5	19,2
DN 80	3"	M45*16P11	AM160050	KCE561985	381,0	350,0	44,2
DN 100	4"	M45*16P12	AM160050	KCE561985	381,0	365,0	56,8

* = 0 valvola con sfera a "T" (articolo 450) - "T" port (model 450); * = 1 valvola con sfera a "L" (articolo 451) - "L" port (model 451).

Codici con attuatore elettrico 230 Vac. Items with electric actuator 230 Vac.

Versione ATEX non disponibile per attuatori elettrici. ATEX version not available for electric actuator.

STAINLESS STEEL BALL VALVES



ITEM 460-461

VALVOLA A SFERA IN ACCIAIO INOX 3 VIE 4 GUARNIZIONI,
FLANGIATA SFERA A "T" O "L" - PASSAGGIO INTEGRALE.
*3-WAY 4 SEALS FULL-BORE FLANGED STAINLESS STEEL BALL VALVE,
"T" OR "L" PORT.*

ITEM 460

Valvola con sfera a "T"

ITEM 461

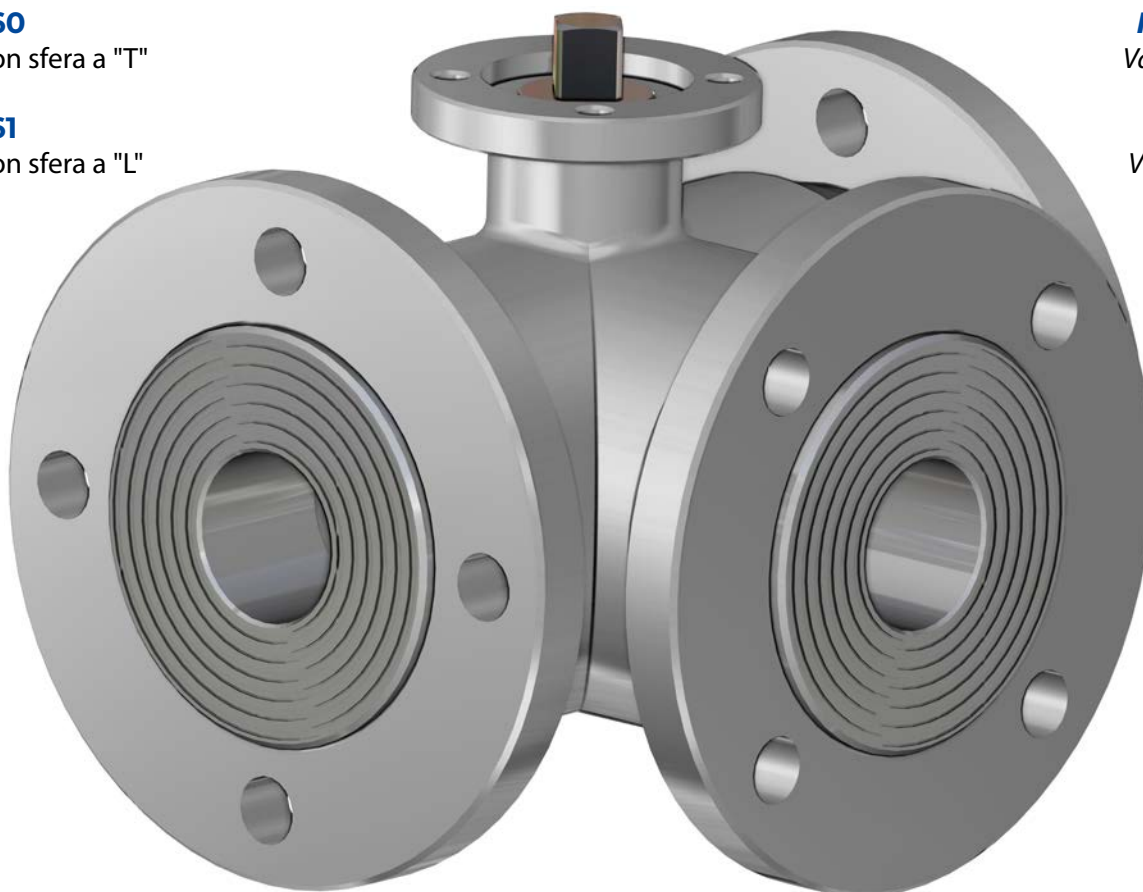
Valvola con sfera a "L"

ITEM 460

Valve "T" port

ITEM 461

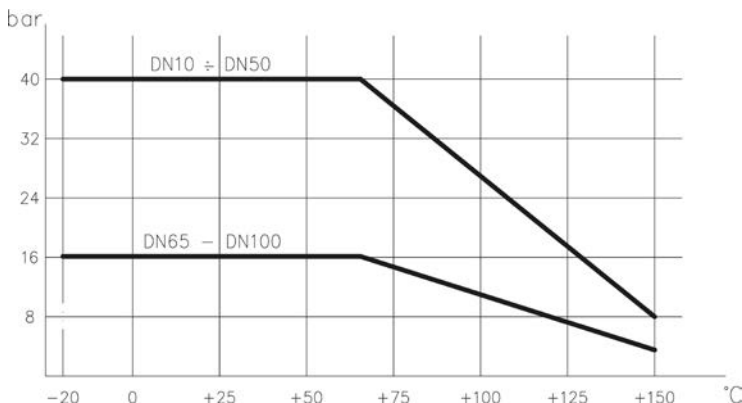
Valve "L" port



<p>CARATTERISTICHE GENERALI:</p> <ul style="list-style-type: none"> • La valvola é costruita in 316L acciaio inox. • Flange d'attacco: EN 1092-1. • Con 4 guarnizioni sulla sfera, permette la deviazione del flusso in tutte le direzioni, vedere schema. • Temperatura di utilizzo: da -20°C a + 150°C. • Pressione di utilizzo: vedi tabella. • Fluido intercettato: aria, acqua, fluidi alimentari. • Trattamento esterno: lucidata. • Flangia montaggio attuatore a norma ISO 5211. • La versione con leva non ha la flangia montaggio attuatore a norma ISO 5211 e non è possibile montare alcun tipo di attuatore. 	<p>GENERAL FEATURES:</p> <ul style="list-style-type: none"> • <i>The valve is manufactured in 316L stainless steel.</i> • <i>Flanges as per EN 1092-1.</i> • <i>Valve with 4 ball seats. Inlet from any of the 3 ends. see plan.</i> • <i>Working temperature: from -20°C to +150°C.</i> • <i>Working pressure: see table.</i> • <i>Fluid range: air, water, food industry.</i> • <i>Surface treatment: polished.</i> • <i>ISO 5211 flange connection.</i> • <i>The manual version (with lever) doesn't have the ISO 5211 flange connection and its therefore not possible to mount on it any kind of actuators.</i>
<p>ESECUZIONI SPECIALI A RICHIESTA:</p> <ul style="list-style-type: none"> • Flange: Acciaio zincato - ASME B16.5 Classe 150,300. • Guarnizioni di tenuta in: PTFE caricato vetro; PTFE caricato carbografite; Polietilene alta densità. • Per altre applicazioni contattare il nostro ufficio commerciale. 	<p>ON REQUEST:</p> <ul style="list-style-type: none"> • <i>Flanges: Zinc-plated - ASME B16.5 Classe 150,300.</i> • <i>Seals made of: PTFE glass filled; PTFE with carbon graphite; High-molecular weight polyethylene.</i> • <i>For other applications, please contact our sales department.</i>
<p>CERTIFICAZIONI:</p> <ul style="list-style-type: none"> • Versione ATEX in conformità alla Direttiva Europea 2014/34/UE. • Certificato ATEX a richiesta. 	<p>CERTIFICATIONS:</p> <ul style="list-style-type: none"> • <i>ATEX version in conformity with European Directive 2014/34/EU.</i> • <i>ATEX certificate on request.</i>



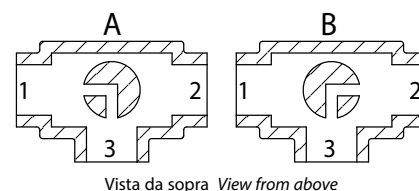
DIAGRAMMA PRESSIONE/TEMPERATURA PRESSURE/TEMPERATURE DIAGRAM



SCHEMA SFERA A "L" PLAN FOR "L" PORT

N.B.: Con attuatore **SR NORMALMENTE CHIUSO** la posizione di riposo della sfera deve essere la "A".
Con attuatore **SR NORMALMENTE APERTO** la posizione di riposo della sfera deve essere la "B".

N.B.: "A" must be the rest position of the ball with **SR FAIL CLOSE** actuator.
"B" must be the rest position of the ball with **SR FAIL OPEN** actuator.



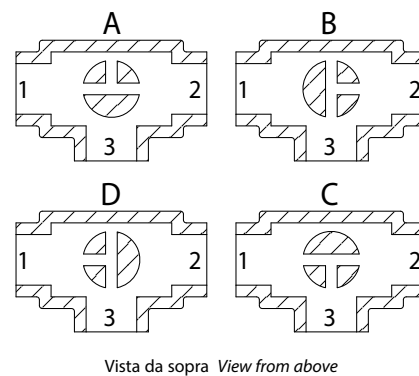
SCHEMA SFERA A "T" PLAN FOR "T" PORT

Con l'attuatore sono possibili solo due posizioni con rotazione di 90°: la configurazione della sfera deve essere sempre comunicata al nostro ufficio commerciale.

N.B.: Con attuatore **SR NORMALMENTE CHIUSO** scegliere la posizione di riposo della sfera; alimentando, l'attuatore ruota in senso antiorario.
Con attuatore **SR NORMALMENTE APERTO** scegliere la posizione di riposo della sfera; alimentando, l'attuatore ruota in senso orario.

With actuator 2 positions with 90° rotation are possible only: the configuration of the ball must always be communicated at our sales department.

N.B.: Choose the rest position of the ball with **SR FAIL CLOSE** actuator; whenever supplied with air, actuator turns in an anticlockwise direction.
Choose the rest position of the ball with **SR FAIL OPEN** actuator; whenever supplied with air, actuator turns in a clockwise direction.



	COPPIE DI SPUNTO in Nm					BREAKAWAY TORQUES Nm				
MISURA SIZE	DN 10 3/8"	DN 15 1/2"	DN 20 3/4"	DN 25 1"	DN 32 1 1/4"	DN 40 1 1/2"	DN 50 2"	DN 65 2 1/2"	DN 80 3"	DN 100 4"
PN 16 bar								142	212	304
PN 40 bar	9	18	23	27	36	54	83			

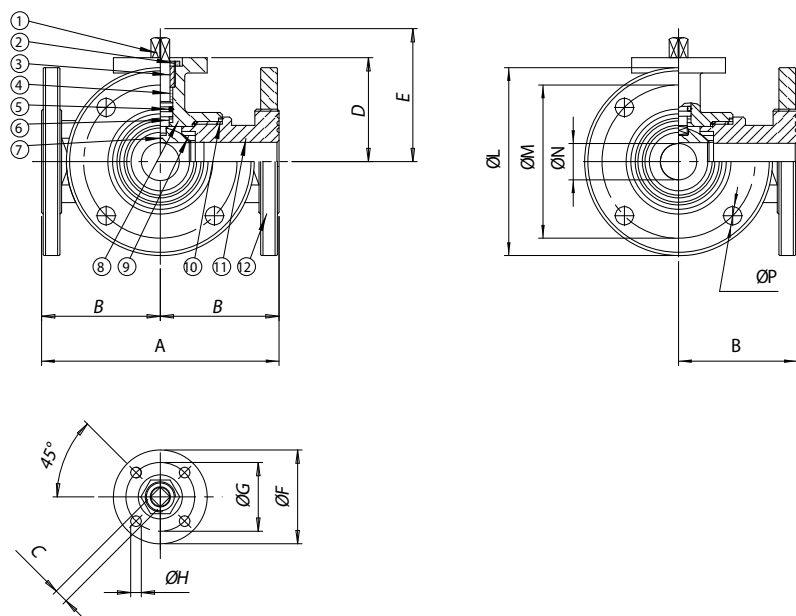
I valori della coppia possono variare in funzione della temperatura e del tipo di fluido. Considerare un fattore di sicurezza pari a 1,4.
Con frequenti cicli di apertura e chiusura la coppia di manovra può diminuire sensibilmente rispetto a quella iniziale. Gli accoppiamenti attuatore/valvola, riportati nelle pagine seguenti, sono realizzati per valvole che intercettano fluidi liquidi o gassosi, puliti e per medie temperature. Per maggiori informazioni, o utilizzi diversi, consultare il nostro ufficio commerciale.
Torque can vary depending on temperature and type of fluid; a safety factor of 1.4 must be applied. Torque can drop on high frequency of operations. The actuator/valve sizing, indicated on the following pages, are based for valves to be used with liquids or gaseous fluids, clean, and for medium temperatures. For further information, or different uses please contact our sales department.



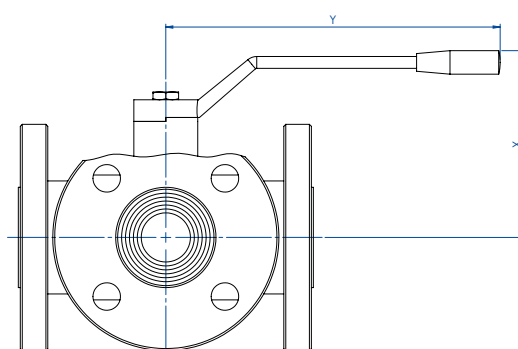
ITEM 460-461 ACCIAIO INOX STAINLESS STEEL ASSE LIBERO E CON LEVA FREE SHAFT AND WITH LEVER

		ASSE LIBERO FREE SHAFT				CON LEVA WITH LEVER						
MISURA SIZE		Asse libero Free shaft "T" port	→ ATEX	Asse libero Free shaft "L" port	→ ATEX	Kg	Con leva With lever "T" port	→ ATEX	Con leva With lever "L" port	→ ATEX	Kg	Kit guarnizioni Seals kit
DN [mm]	[inch]											
DN 10	3/8"	V460H603	V460H603YX	V461H603	V461H603YX	2,7	L460H603	L460H603YX	L461H603	L461H603YX	2,7	KGBV4803
DN 15	1/2"	V460H604G	V460H604GYX	V461H604G	V461H604GYX	3,3	L460H604	L460H604YX	L461H604	L461H604YX	3,2	KGBV4804
DN 20	3/4"	V460H605	V460H605YX	V461H605	V461H605YX	4,8	L460H605	L460H605YX	L461H605	L461H605YX	4,8	KGBV4805
DN 25	1"	V460H606	V460H606YX	V461H606	V461H606YX	6,7	L460H606	L460H606YX	L461H606	L461H606YX	6,2	KGBV4806
DN 32	1" 1/4	V460H607	V460H607YX	V461H607	V461H607YX	10,5	L460H607	L460H607YX	L461H607	L461H607YX	10,6	KGBV4807
DN 40	1" 1/2	V460H608G	V460H608GYX	V461H608G	V461H608GYX	14,0	L460H608	L460H608YX	L461H608	L461H608YX	13,7	KGBV4808
DN 50	2"	V460H609	V460H609YX	V461H609	V461H609YX	18,2	L460H609	L460H609YX	L461H609	L461H609YX	18,2	KGBV4809
DN 65	2" 1/2	V460H610G	V460H610GYX	V461H610G	V461H610GYX	23,6	L460H610	L460H610YX	L461H610	L461H610YX	23,2	KGBV4810
DN 80	3"	V460H611	V460H611YX	V461H611	V461H611YX	33,6	L460H611	L460H611YX	L461H611	L461H611YX	33,5	KGBV4811
DN 100	4"	V460H612	V460H612YX	V461H612	V461H612YX	51,0	L460H612	L460H612YX	L461H612	L461H612YX	49,0	KGBV4812

ASSE LIBERO FREE SHAFT



CON LEVA WITH LEVER



La versione con leva non ha la flangia montaggio attuatore a norma ISO 5211 e non è possibile montare alcun tipo di attuatore.

The manual version (with lever) doesn't have the ISO 5211 flange connection and its therefore not possible to mount on it any kind of actuators.

MATERIALI MATERIALS

1	Stelo Shaft	316L S.S.	1.4401	UNI X2CrNiMo 17 12
2	Dado Nut	303 S.S.		
3	Anello premiguarnizione Gland nut ring	304L S.S. (303 S.S.)		
4*	Anello di tenuta superiore Top tight ring	P.T.F.E.		
5*	O-ring di tenuta perno Shaft o-ring	FKM		
6*	Dischetto di tenuta perno Washer	P.T.F.E.		
7	Sfera Ball	316L S.S.	1.4401	UNI X2CrNiMo 17 12
8	Corpo Body	316L S.S.	1.4401	UNI X2CrNiMo 17 12
9*	Guarnizioni di tenuta laterale Seals	P.T.F.E.		
10*	Guarnizioni di tenuta manicotti End sealings	P.T.F.E.		
11	Manicotto femmina End	316L S.S.	1.4401	UNI X2CrNiMo 17 12
12	Flangia Flange	316L S.S.	1.4401	UNI X2CrNiMo 17 12

* Particolari del kit di ricambio Components of spare part kit KGBV46...

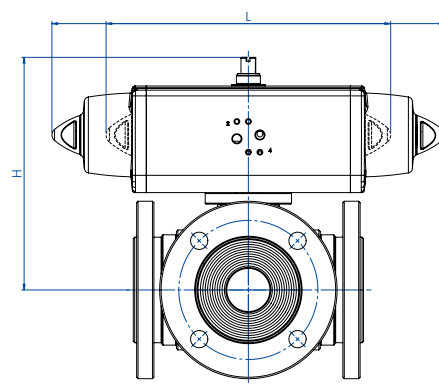
DIMENSIONI DIMENSIONS

MISURA SIZE		A	B	□C	D	E	øF	øG	øH	øL	øM	øN	n°xøP	X	Y
DN [mm]	[inch]														
DN 10	3/8"	120	60	6	46,5	54,5	46	36	6	90	60	10	4x14	85	130
DN 15	1/2"	130	65	6	49	57	54	42	6	95	65	15	4x14	90	130
DN 20	3/4"	140	70	9	56,5	69,5	65	50	7	105	75	20	4x14	100	170
DN 25	1"	150	75	9	61	74	65	50	7	115	85	25	4x14	110	170
DN 32	1" 1/4	180	90	14	81,5	94,5	65	50	7	140	100	32	4x18	130	240
DN 40	1" 1/2	200	100	14	89	102	90	70	9	150	110	40	4x18	140	240
DN 50	2"	220	110	17	91,5	106,5	90	70	9	165	125	50	4x18	150	260
DN 65	2" 1/2	240	120	17	101,5	116,5	125	102	11	185	145	65	4x18	160	300
DN 80	3"	260	130	17	116	134	125	102	11	200	160	80	8x18	175	330
DN 100	4"	300	150	17	131	149	125	102	11	220	180	100	8x18	190	330



ITEM 460-461

ACCIAIO INOX STAINLESS STEEL CON ATTUATORE WITH ACTUATOR



CON ATTUATORE PNEUMATICO DOPPIO EFFETTO WITH DOUBLE ACTING PNEUMATIC ACTUATOR

MISURA SIZE		ARTICOLO ITEM CODE	ATTUATORE ACTUATOR	KIT montaggio Mounting KIT	L [mm]	H [mm]	Kg	ATEX
DN [mm]	[inch]							
DN 10	3/8"	DG46*H063	DAN0015411S	KCF045293	159,0	118,7	3,4	DG46*H063YX
DN 15	1/2"	DG46*H064	DAN0030412S	KCF045293	174,2	128,2	3,9	DG46*H064YX
DN 20	3/4"	DG46*H065	DAN0045412S	KCF045294	188,5	141,0	6,1	DG46*H065YX
DN 25	1"	DG46*H066	DAN0045412S	KCF045294	188,5	145,5	7,8	DG46*H066YX
DN 32	1" 1/4	DG46*H067	DAN0060412S	KCF055296	198,0	171,9	12,4	DG46*H067YX
DN 40	1" 1/2	DG46*H068	DAN0106411S	KCF075304	237,0	192,3	16,6	DG46*H068YX
DN 50	2"	DG46*H069	DAN0120411S	KCF075298	244,1	198,5	21,1	DG46*H069YX
DN 65	2" 1/2	DG46*H070	DAN0240411S	KCF105300	313,6	242,6	27,7	DG46*H070YX
DN 80	3"	DG46*H071	DAN0360411S	KCF105300	339,3	264,0	39,6	DG46*H071YX
DN 100	4"	DG46*H072	DAN0480411S	KCF125301	387,6	295,9	57,7	DG46*H072YX

CON ATTUATORE PNEUMATICO SEMPLICE EFFETTO WITH SPRING RETURN PNEUMATIC ACTUATOR

MISURA SIZE		ARTICOLO ITEM CODE	ATTUATORE ACTUATOR	KIT montaggio Mounting KIT	L [mm]	H [mm]	Kg	ATEX
DN [mm]	[inch]							
DN 10	3/8"	SG46*H063	SRN0015401S	KCF045293	233,2	125,7	3,9	SG46*H063YX
DN 15	1/2"	SG46*H064	SRN0030401S	KCF055302	258,8	139,4	4,5	SG46*H064YX
DN 20	3/4"	SG46*H065	SRN0053401S	KCF075303	304,2	159,8	7,4	SG46*H065YX
DN 25	1"	SG46*H066	SRN0053401S	KCF075303	304,2	164,3	9,6	SG46*H066YX
DN 32	1" 1/4	SG46*H067	SRN0060401S	KCF075297	338,5	188,5	13,8	SG46*H067YX
DN 40	1" 1/2	SG46*H068	SRN0090401S	KCF105305	393,7	226,5	20,0	SG46*H068YX
DN 50	2"	SG46*H069	SRN0120401S	KCF105299	409,6	232,6	24,5	SG46*H069YX
DN 65	2" 1/2	SG46*H070	SRN0240401S	KCF125301	520,5	266,5	35,1	SG46*H070YX
DN 80	3"	SG46*H071	SRN0360401S	KCF125301	613,0	294,0	51,6	SG46*H071YX
DN 100	4"	SG46*H072	SRN0480401S	KCF145306	648,2	329,0	62,3	SG46*H072YX

* = 0 valvola con sfera a "T" (articolo 460) - "T" port (model 460); * = 1 valvola con sfera a "L" (articolo 461) - "L" port (model 461)

Dimensionamento degli attuatori pneumatici fatto considerando una pressione minima di alimentazione pari a 5,6 barg. Sizing of pneumatic actuators by minimum pressure rate 5,6 barg.

A richiesta, articoli disponibili anche con attuatori elettrici.
On request, items available also with electric actuators.





ITEM 464-465

VALVOLA A SFERA IN ACCIAIO INOX 3 VIE 4 GUARNIZIONI, SFERA A "T" O "L" FILETTATA DIN 11851 PASSAGGIO INTEGRALE.

3 WAY 4 SEALS, FULL-BORE STAINLESS STEEL BALL VALVE, "T" OR "L" PORT, DIN 11851 THREADED-ENDS.

ITEM 464

Valvola con sfera a "T"

ITEM 464

Valve "T" port

ITEM 465

Valvola con sfera a "L"

ITEM 465

Valve "L" port



CARATTERISTICHE GENERALI:

- La valvola é costruita in 316L acciaio inox e si presta ad utilizzi che richiedono condizioni igieniche particolari (applicazioni in industria alimentare).
- Con 4 guarnizioni sulla sfera permette la deviazione del flusso in tutte le direzioni con chiusura della mandata su uno dei tre attacchi.
- Estremità filettate DIN 11851.
- Temperatura di utilizzo: da -20°C a + 150°C.
- Pressione di utilizzo: vedi tabella.
- Fluido intercettato: per usi alimentari.
- Flangia montaggio attuatore a norma ISO 5211.
- **La versione con leva non ha la flangia montaggio attuatore a norma ISO 5211 e non è possibile montare alcun tipo di attuatore.**

GENERAL FEATURES:

- *The valve is manufactured in 316L stainless steel and suggested for particular hygienic conditions (food industry applications).*
- *Valve with 4 ball seats. Inlet from any of the 3 ends. It can also shut of the flow.*
- *Ends: as per DIN 11851 specifications.*
- *Working temperature: from -20°C to +150°C.*
- *Working pressure: see table.*
- *Fluid range: food industry.*
- *ISO 5211 flange connection.*
- ***The manual version (with lever) doesn't have the ISO 5211 flange connection and its therefore not possible to mount on it any kind of actuators.***

ESECUZIONI SPECIALI A RICHIESTA:

- Attacchi: SMS - MACON - DIN maschio.
- Guarnizioni di tenuta in: PTFE caricato vetro;
PTFE caricato carbografite;
Polietilene alta densità.
- Per altre applicazioni contattare il nostro ufficio commerciale.

ON REQUEST:

- *Connection: SMS - MACON - DIN male.*
- *Seals made of: PTFE glass filled;
PTFE with carbon graphite;
High-molecular weight polyethylene.*
- *For other applications, please contact our sales department.*

CERTIFICAZIONI:

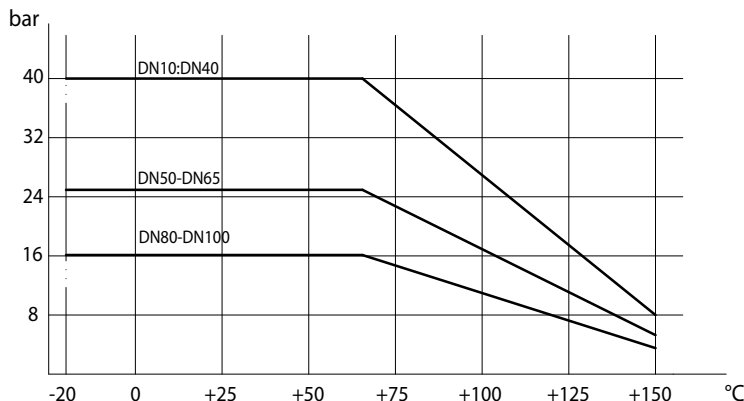
- Versione ATEX in conformità alla Direttiva Europea 2014/34/UE.
- Certificato ATEX a richiesta.

CERTIFICATIONS:

- *ATEX version in conformity with European Directive 2014/34/EU.*
- *ATEX certificate on request.*



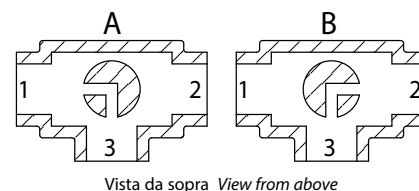
DIAGRAMMA PRESSIONE/TEMPERATURA PRESSURE/TEMPERATURE DIAGRAM



SCHEMA SFERA A "L" PLAN FOR "L" PORT

N.B.: Con attuatore **SR NORMALMENTE CHIUSO** la posizione di riposo della sfera deve essere la "A".
Con attuatore **SR NORMALMENTE APERTO** la posizione di riposo della sfera deve essere la "B".

N.B.: "A" must be the rest position of the ball with **SR FAIL CLOSE** actuator.
"B" must be the rest position of the ball with **SR FAIL OPEN** actuator.



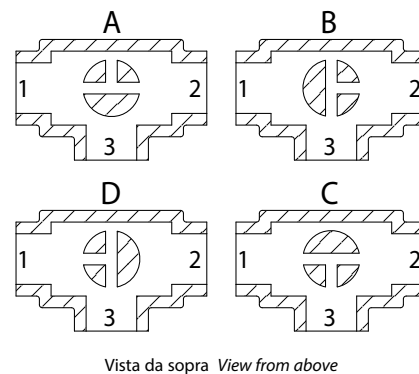
SCHEMA SFERA A "T" PLAN FOR "T" PORT

Con l'attuatore sono possibili solo due posizioni con rotazione di 90°: la configurazione della sfera deve essere sempre comunicata al nostro ufficio commerciale.

N.B.: Con attuatore **SR NORMALMENTE CHIUSO** scegliere la posizione di riposo della sfera; alimentando, l'attuatore ruota in senso antiorario.
Con attuatore **SR NORMALMENTE APERTO** scegliere la posizione di riposo della sfera; alimentando, l'attuatore ruota in senso orario.

With actuator 2 positions with 90° rotation are possible only: the configuration of the ball must always be communicated at our sales department.

N.B.: Choose the rest position of the ball with **SR FAIL CLOSE** actuator; whenever supplied with air, actuator turns in an anticlockwise direction.
Choose the rest position of the ball with **SR FAIL OPEN** actuator; whenever supplied with air, actuator turns in a clockwise direction.



	COPPIE DI SPUNTO in Nm				BREAKAWAY TORQUES Nm					
MISURA SIZE	DN 10 3/8"	DN 15 1/2"	DN 20 3/4"	DN 25 1"	DN 32 1"1/4	DN 40 1"1/2	DN 50 2"	DN 65 2"1/2	DN 80 3"	DN 100 4"
PN 16 bar									212	304
PN 25 bar							83	142		
PN 40 bar	9	18	23	27	36	54				

I valori della coppia possono variare in funzione della temperatura e del tipo di fluido. Considerare un fattore di sicurezza pari a 1,4.
Con frequenti cicli di apertura e chiusura la coppia di manovra può diminuire sensibilmente rispetto a quella iniziale. Gli accoppiamenti attuatore/valvola, riportati nelle pagine seguenti, sono realizzati per valvole che intercettano fluidi liquidi o gassosi, puliti e per medie temperature. Per maggiori informazioni, o utilizzi diversi, consultare il nostro ufficio commerciale.

Torque can vary depending on temperature and type of fluid; a safety factor of 1.4 must be applied. Torque can drop on high frequency of operations. The actuator/valve sizing, indicated on the following pages, are based for valves to be used with liquids or gaseous fluids, clean, and for medium temperatures. For further information, or different uses please contact our sales department.



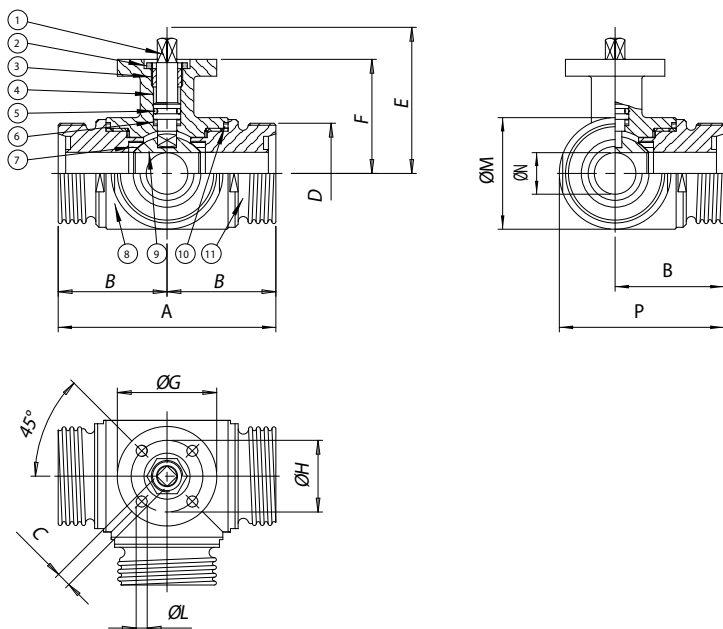
ITEM 464-465

ACCIAIO INOX STAINLESS STEEL

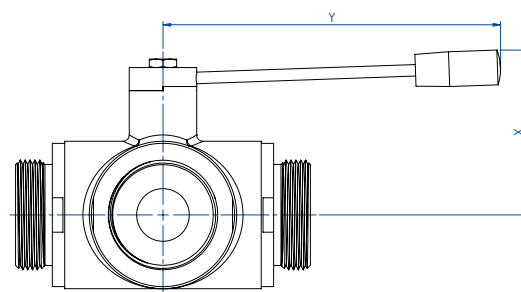
ASSE LIBERO E CON LEVA FREE SHAFT AND WITH LEVER

MISURA SIZE		ASSE LIBERO FREE SHAFT				CON LEVA WITH LEVER				Kit guarnizioni Seals kit		
DN [mm]	[inch]	Asse libero Free shaft "T" port	→ ATEX	Asse libero Free shaft "L" port	→ ATEX	Kg	Con leva With lever "T" port	→ ATEX	Con leva With lever "L" port		→ ATEX	Kg
DN 10	3/8"	V464H633	V464H633YX	V465H633	V465H633YX	1,1	L464H633	L464H633YX	L465H633	L465H633YX	1,1	KGBV4803
DN 15	1/2"	V464H634G	V464H634GYX	V465H634G	V465H634GYX	1,5	L464H634	L464H634YX	L465H634	L465H634YX	1,4	KGBV4804
DN 20	3/4"	V464H635	V464H635YX	V465H635	V465H635YX	2,5	L464H635	L464H635YX	L465H635	L465H635YX	2,3	KGBV4805
DN 25	1"	V464H636	V464H636YX	V465H636	V465H636YX	3,2	L464H636	L464H636YX	L465H636	L465H636YX	3,1	KGBV4806
DN 32	1" 1/4	V464H637	V464H637YX	V465H637	V465H637YX	5,0	L464H637	L464H637YX	L465H637	L465H637YX	5,1	KGBV4807
DN 40	1" 1/2	V464H638G	V464H638GYX	V465H638G	V465H638GYX	7,6	L464H638	L464H638YX	L465H638	L465H638YX	7,4	KGBV4808
DN 50	2"	V464H639	V464H639YX	V465H639	V465H639YX	9,1	L464H639	L464H639YX	L465H639	L465H639YX	9,0	KGBV4809
DN 65	2" 1/2	V464H640G	V464H640GYX	V465H640G	V465H640GYX	11,5	L464H640	L464H640YX	L465H640	L465H640YX	11,0	KGBV4810
DN 80	3"	V464H641	V464H641YX	V465H641	V465H641YX	22,1	L464H641	L464H641YX	L465H641	L465H641YX	22,4	KGBV4811
DN 100	4"	V464H642	V464H642YX	V465H642	V465H642YX	35,4	L464H642	L464H642YX	L465H642	L465H642YX	35,0	KGBV4812

ASSE LIBERO FREE SHAFT



CON LEVA WITH LEVER



La versione con leva non ha la flangia montaggio attuatore a norma ISO 5211 e non è possibile montare alcun tipo di attuatore.

The manual version (with lever) doesn't have the ISO 5211 flange connection and its therefore not possible to mount on it any kind of actuators.

MATERIALI MATERIALS

1	Stelo Shaft	316L S.S.	1.4401	UNI X2CrNiMo 17 12
2	Dado Nut	303 S.S.		
3	Anello premiguarnizione Gland nut ring	304L S.S. (303 S.S.)		
4*	Anello di tenuta superiore Top tight ring	P.T.F.E.		
5*	O-ring di tenuta perno Shaft o-ring	FKM		
6*	Dischetto di tenuta perno Washer	P.T.F.E.		
7*	Guarnizioni di tenuta laterale Seals	P.T.F.E.		
8	Corpo Body	316L S.S.	1.4401	UNI X2CrNiMo 17 12
9	Sfera Ball	316L S.S.	1.4401	UNI X2CrNiMo 17 12
10*	Guarnizioni di tenuta manicotti End sealings	P.T.F.E.		
11	Manicotto femmina End	316L S.S.	1.4401	UNI X2CrNiMo 17 12

* Particolari del kit di ricambio Components of spare part kit KGBV48...

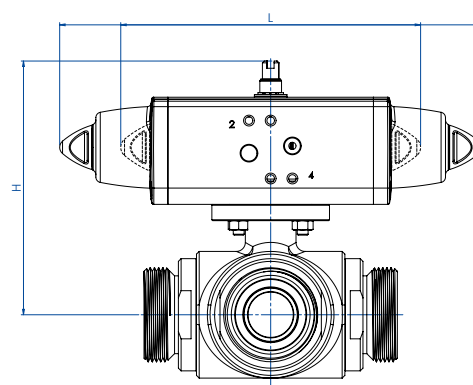
DIMENSIONI DIMENSIONS

MISURA SIZE	A	B	C	D	E	F	ØG	ØH	ØL	ØM	ØN	P	X	Y	
DN [mm]	[inch]														
DN 10	3/8"	108	54	6	28	54,5	46,5	46	36	6	45	10	76,5	60	110
DN 15	1/2"	118	59	6	34	57	49	54	42	6	52	15	85	65	110
DN 20	3/4"	130	65	9	44	69,5	56,5	65	50	7	60	20	95	70	160
DN 25	1"	140	70	9	52	74	61	65	50	7	70	25	105	80	160
DN 32	1" 1/4	156	78	14	58	94,5	81,5	65	50	7	85	32	120,5	95	190
DN 40	1" 1/2	172	86	14	65	102	89	90	70	9	100	40	136	110	190
DN 50	2"	182	91	17	78	106,5	91,5	90	70	9	110	50	146	120	220
DN 65	2" 1/2	196	98	17	95	116,5	101,5	125	102	11	122	65	159	130	285
DN 80	3"	256	128	17	110	134	116	125	102	11	150	80	203	145	310
DN 100	4"	286	143	17	130	149	131	125	102	11	192	100	239	160	310



ITEM 464-465

ACCIAIO INOX STAINLESS STEEL CON ATTUATORE WITH ACTUATOR



CON ATTUATORE PNEUMATICO DOPPIO EFFETTO WITH DOUBLE ACTING PNEUMATIC ACTUATOR

MISURA SIZE		ARTICOLO ITEM CODE	ATTUATORE ACTUATOR	KIT montaggio Mounting KIT	L [mm]	H [mm]	Kg	ATEX
DN [mm]	[inch]							
DN 10	3/8"	DG46*H063	DAN0015411S	KCF045293	159,0	118,7	1,8	DG46*H063YX
DN 15	1/2"	DG46*H064	DAN0030412S	KCF045293	174,2	128,2	2,2	DG46*H064YX
DN 20	3/4"	DG46*H065	DAN0045412S	KCF045294	188,5	141,0	3,5	DG46*H065YX
DN 25	1"	DG46*H066	DAN0045412S	KCF045294	188,5	145,5	4,5	DG46*H066YX
DN 32	1" 1/4	DG46*H067	DAN0060412S	KCF055296	198,0	171,9	6,9	DG46*H067YX
DN 40	1" 1/2	DG46*H068	DAN0106411S	KCF075304	237,0	192,3	10,2	DG46*H068YX
DN 50	2"	DG46*H069	DAN0120411S	KCF075298	244,1	198,5	12,2	DG46*H069YX
DN 65	2" 1/2	DG46*H070	DAN0240411S	KCF105300	313,6	242,6	16,0	DG46*H070YX
DN 80	3"	DG46*H071	DAN0360411S	KCF105300	339,3	264,0	29,0	DG46*H071YX
DN 100	4"	DG46*H072	DAN0480411S	KCF125301	387,6	295,9	46,2	DG46*H072YX

CON ATTUATORE PNEUMATICO SEMPLICE EFFETTO WITH SPRING RETURN PNEUMATIC ACTUATOR

MISURA SIZE		ARTICOLO ITEM CODE	ATTUATORE ACTUATOR	KIT montaggio Mounting KIT	L [mm]	H [mm]	Kg	ATEX
DN [mm]	[inch]							
DN 10	3/8"	SG46*H063	SRN0015401S	KCF045293	233,2	125,7	2,2	SG46*H063YX
DN 15	1/2"	SG46*H064	SRN0030401S	KCF055302	258,8	139,4	2,8	SG46*H064YX
DN 20	3/4"	SG46*H065	SRN0053401S	KCF075303	304,2	159,8	4,8	SG46*H065YX
DN 25	1"	SG46*H066	SRN0053401S	KCF075303	304,2	164,3	6,3	SG46*H066YX
DN 32	1" 1/4	SG46*H067	SRN0060401S	KCF075297	338,5	188,5	8,4	SG46*H067YX
DN 40	1" 1/2	SG46*H068	SRN0090401S	KCF105305	393,7	226,5	13,6	SG46*H068YX
DN 50	2"	SG46*H069	SRN0120401S	KCF105299	409,6	232,6	15,6	SG46*H069YX
DN 65	2" 1/2	SG46*H070	SRN0240401S	KCF125301	520,5	266,5	23,4	SG46*H070YX
DN 80	3"	SG46*H071	SRN0360401S	KCF125301	613,0	294,0	40,3	SG46*H071YX
DN 100	4"	SG46*H072	SRN0480401S	KCF145306	648,2	329,0	60,7	SG46*H072YX

* = 4 Valvola con sfera a "T" (articolo 464) - "T" port (model 464); * = 5 Valvola con sfera a "L" (articolo 465) - "L" port (model 465)

Dimensionamento degli attuatori pneumatici fatto considerando una pressione minima di alimentazione pari a 5,6 barg. Sizing of pneumatic actuators by minimum pressure rate 5,6 barg.

A richiesta, articoli disponibili anche con attuatori elettrici.
On request, items available also with electric actuators.

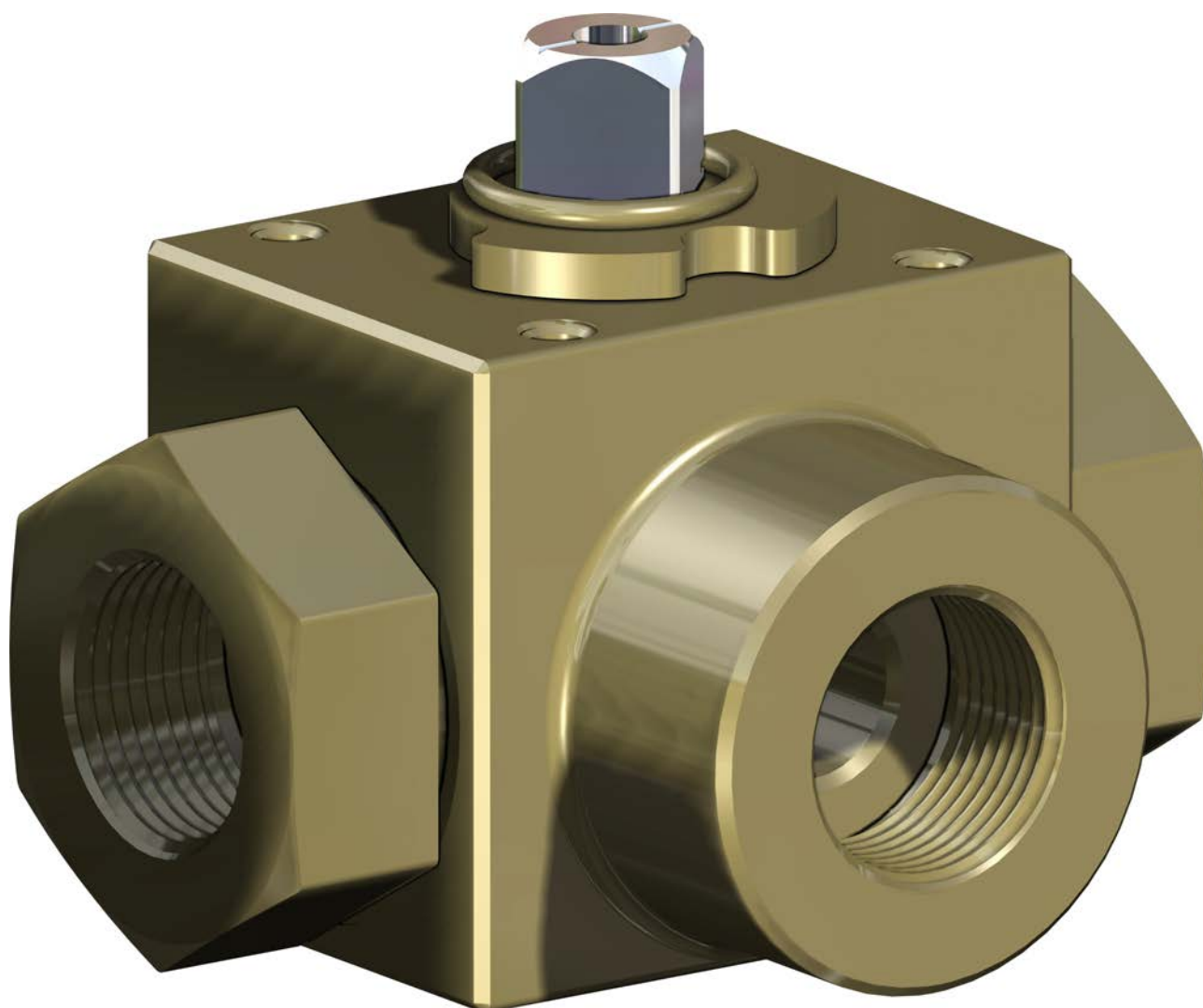




ITEM 541

VALVOLA A SFERA IN ACCIAIO AL CARBONIO 3 VIE FILETTATA CON SFERA A "L" PER ALTA PRESSIONE PASSAGGIO INTEGRALE.

3-WAY FULL-BORE THREADED-ENDS HIGH PRESSURE CARBON STEEL BALL VALVE "L" PORT.



CARATTERISTICHE GENERALI:

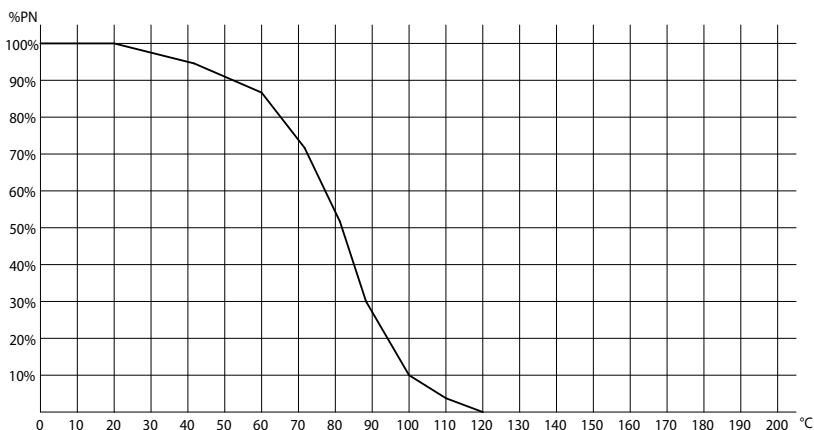
- Estremità filettate femmina a norma DIN/ISO 228.
- La valvola funziona solo come deviatore e non permette alcuna chiusura della mandata.
- L'ingresso è da collegare obbligatoriamente al manicotto centrale.
- Temperatura di utilizzo: da -10°C a +100°C.
- Pressione di utilizzo: 3/8"-1/2" PN 500; 3/4"-1" PN 315.
- Fluido intercettato: olii, prodotti petroliferi e petrolchimici.

GENERAL FEATURES:

- *Threaded ends as per DIN/ISO 228.*
- *The valve works only as a diverter and does not allow any closure of the flow.*
- *The input must be connected to the central sleeve.*
- *Working temperature: from -10°C to +100°C.*
- *Working pressure: 3/8"-1/2" PN 500; 3/4"-1" PN 315.*
- *Field of use: oils, petroleum and petrochemical products.*



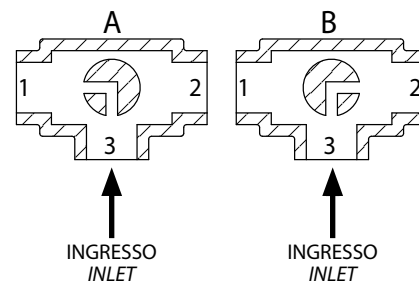
DIAGRAMMA PRESSIONE/TEMPERATURA
PRESSURE/TEMPERATURE DIAGRAM



SCHEMA SFERA A "L" PLAN FOR "L" PORT

N.B.: Con attuatore **SR NORMALMENTE CHIUSO** la posizione di riposo della sfera deve essere la "A".
Con attuatore **SR NORMALMENTE APERTO** la posizione di riposo della sfera deve essere la "B".

N.B.: "A" must be the rest position of the ball with **SR FAIL CLOSE** actuator.
"B" must be the rest position of the ball with **SR FAIL OPEN** actuator.



Vista da sopra View from above

CARBON STEEL BALL VALVES

COPPIE DI SPUNTO in Nm BREAKAWAY TORQUES Nm				
MISURA SIZE	DN 10 3/8"	DN 15 1/2"	DN 20 3/4"	DN 25 1"
PN 315 bar			34	37
PN 500 bar	15	18		

I valori della coppia possono variare in funzione della temperatura e del tipo di fluido. Considerare un fattore di sicurezza pari a 1,4. Con frequenti cicli di apertura e chiusura la coppia di manovra può diminuire sensibilmente rispetto a quella iniziale. Gli accoppiamenti attuatore/valvola, riportati nelle pagine seguenti, sono realizzati per valvole che intercettano fluidi liquidi o gassosi, puliti e per medie temperature. Per maggiori informazioni, o utilizzi diversi, consultare il nostro ufficio commerciale.

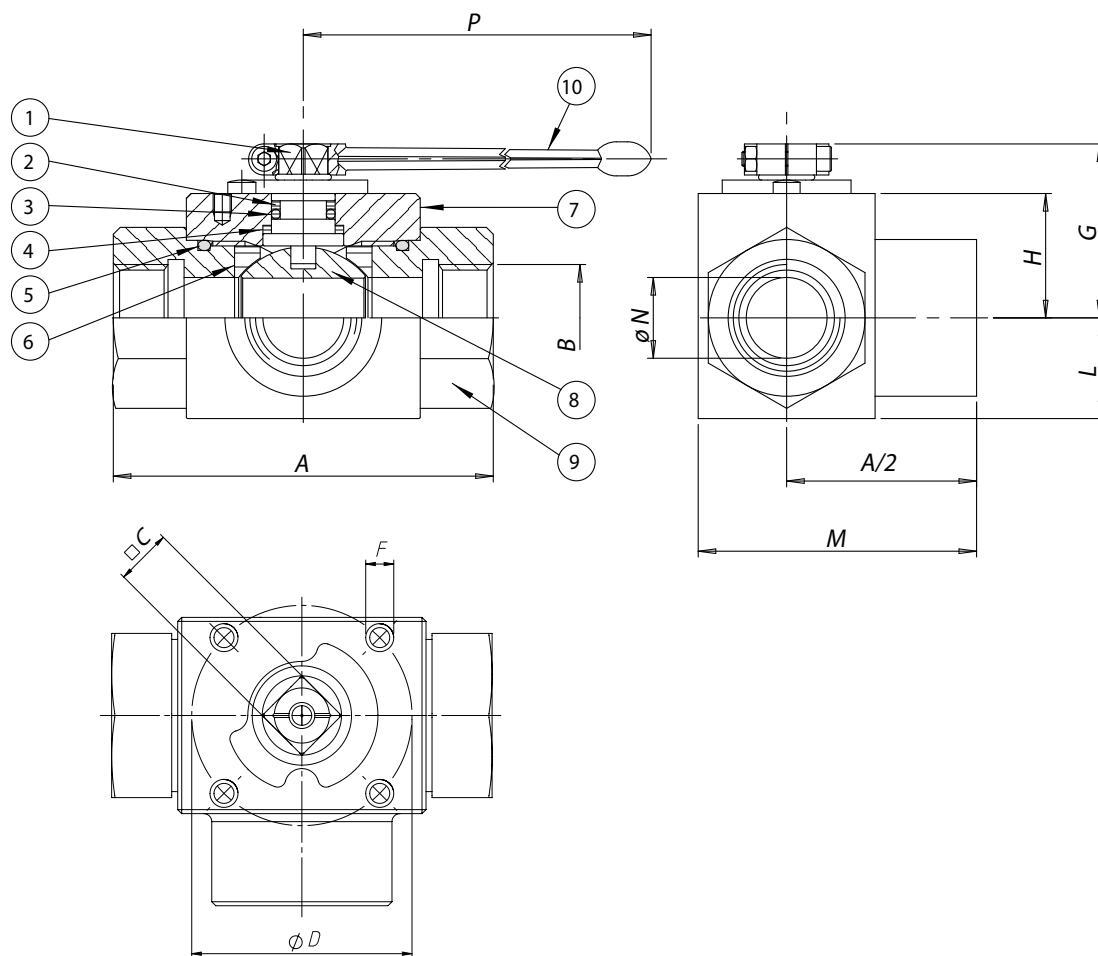
Torque can vary depending on temperature and type of fluid; a safety factor of 1.4 must be applied. Torque can drop on high frequency of operations. The actuator/valve sizing, indicated on the following pages, are based for valves to be used with liquids or gaseous fluids, clean, and for medium temperatures. For further information, or different uses please contact our sales department.



ITEM 541

ACCIAIO AL CARBONIO CARBON STEEL ASSE LIBERO E CON LEVA FREE SHAFT AND WITH LEVER

MISURA SIZE		ASSE LIBERO FREE SHAFT	Kg	CON LEVA WITH LEVER	Kg	Kit guarnizioni Seals kit
DN [mm]	[inch]	Asse libero Free shaft		Con leva With lever		
DN 10	3/8"	V541B403G	0,7	L541B403G	0,85	KGBV8103
DN 15	1/2"	V541B404G	0,8	L541B404G	0,95	KGBV8104
DN 20	3/4"	V541B405G	1,7	L541B405G	1,9	KGBV8105
DN 25	1"	V541B406G	2,6	L541B406G	2,8	KGBV8106



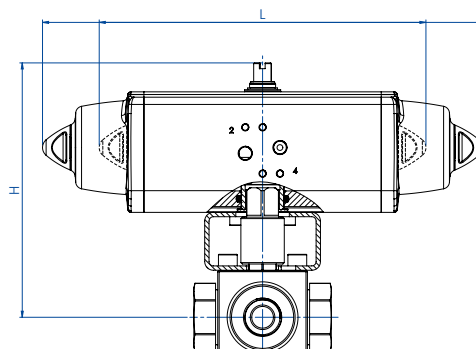
MATERIALI MATERIALS

1	Stelo Shaft	Acciaio al carbonio Carbon steel	CF9SMn28
2*	Anello antiestrusione Washer for o-ring protection	P.T.F.E.	
3*	O-ring tenuta stelo O-ring	FPM	
4*	Dischetto di tenuta superiore Washer	POM	
5*	O-ring di tenuta laterale O-ring	FPM	
6*	Guarnizioni di tenuta sfera Ball sealing	POM	
7	Corpo Body	Acciaio al carbonio Carbon steel	CF9SMn28
8	Sfera Ball	Acciaio al carbonio cromata Carbon steel chromium plated	CF9SMn28
9	Manicotto femmina Threaded end	Acciaio al carbonio Carbon steel	CF9SMn28
10	Leva Lever	Acciaio al carbonio Carbon steel	

* Particolari del kit di ricambio Components of spare part kit KGBV81...

DIMENSIONI DIMENSIONS

MISURA SIZE		A	B	C	D	ISO	F	G	H	L	M	øN	P
DN [mm]	[inch]												
DN 10	3/8"	72	3/8"	9	36	F03	M5	34,5	20,5	17,5	52	10	115
DN 15	1/2"	83	1/2"	9	36	F03	M5	35	21	19	59	13	115
DN 20	3/4"	95	3/4"	14	50	F05	M6	50,5	32,5	24,5	72	20	200
DN 25	1"	113	1"	14	50	F05	M6	53,5	35,5	29,5	85,5	25	200

**ITEM 541****ACCIAIO AL CARBONIO CARBON STEEL
CON ATTUATORE WITH ACTUATOR****CON ATTUATORE PNEUMATICO DOPPIO EFFETTO
WITH DOUBLE ACTING PNEUMATIC ACTUATOR**

MISURA SIZE		ARTICOLO ITEM CODE	ATTUATORE ACTUATOR	KIT montaggio Mounting KIT	L [mm]	H [mm]	Kg
DN [mm]	[inch]						
DN 10	3/8"	DG541H003	DAN0030411S	KCNAADD5484	174,3	167,2	2,1
DN 15	1/2"	DG541H004	DAN0030411S	KCNAADD5484	174,3	169,2	2,2
DN 20	3/4"	DG541H005	DAN0060412S	KCNCCDD5486	198,1	207,4	4,0
DN 25	1"	DG541H006	DAN0060412S	KCNCCDD5486	198,1	215,4	4,9

**CON ATTUATORE PNEUMATICO SEMPLICE EFFETTO
WITH SPRING RETURN PNEUMATIC ACTUATOR**

MISURA SIZE		ARTICOLO ITEM CODE	ATTUATORE ACTUATOR	KIT montaggio Mounting KIT	L [mm]	H [mm]	Kg
DN [mm]	[inch]						
DN 10	3/8"	SG541H003	SRN0030402S	KCNACDD5485	259,0	188,4	3,4
DN 15	1/2"	SG541H004	SRN0030402S	KCNACDD5485	259,0	190,4	3,5
DN 20	3/4"	SG541H005	SRN0060401S	KCNCCDD5487	360,8	224,0	5,9
DN 25	1"	SG541H006	SRN0060401S	KCNCCDD5487	360,8	232,0	6,8

Dimensionamento degli attuatori pneumatici fatto considerando una pressione minima di alimentazione pari a 5,6 barg. *Sizing of pneumatic actuators by minimum pressure rate 5,6 barg.*

A richiesta, articoli disponibili anche con attuatori elettrici.
On request, items available also with electric actuators.





ITEM 545

VALVOLA A SFERA IN ACCIAIO AL CARBONIO 3 VIE FLANGIATA A CORPO PIATTO SFERA A "L", A PASSAGGIO RIDOTTO.

3-WAY FLAT BODY FLANGED CARBON STEEL BALL VALVE "L" PORT, REDUCED BORE.



CARATTERISTICHE GENERALI:

- **La valvola funziona solo come deviatore. Non permette nessuna chiusura della mandata che può avvenire solo dalla via centrale; vedi schema.**
- Norme per flange d'attacco: EN 1092-1 PN40 FINO A DN50; PN16 DN65,80,100.
- Temperatura di utilizzo: da -10°C a +150°C (+200°C con guarnizioni speciali).
- Pressione di utilizzo: vedi diagramma.
- Fluido intercettato: acqua, prodotti petroliferi e petrolchimici liquidi.
- Passaggio ridotto.

ESECUZIONI SPECIALI A RICHIESTA:

- Corpo in A350 LF2 per -20°C.
- Guarnizioni di tenuta in: PTFE caricato vetro;
PTFE caricato carbografite.
- Sfera a "T" con ingresso solo su porta 3.
- Per altre applicazioni contattare il nostro ufficio commerciale.

CERTIFICAZIONI:

- Versione ATEX in conformità alla Direttiva Europea 2014/34/UE.
- Certificato ATEX a richiesta.

GENERAL FEATURES:

- **The valve works only as a diverter. The closure can only take place from the central way; check diagram.**
- Flanges as per: EN 1092-1 PN40 FINO A DN50; PN16 DN65,80,100.
- Working temperature: from -10°C to +150°C (+200° C with special seals).
- Working pressure: see diagram.
- Intercepted fluid: water, liquid petroleum products and petrochemicals.
- Reduced bore.

ON REQUEST:

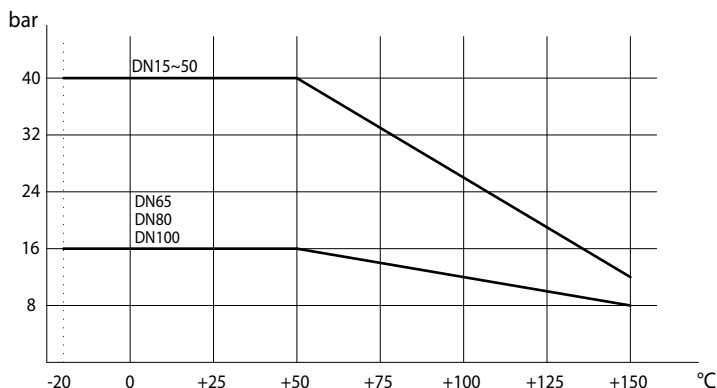
- Body in A350 LF2 for -20°C.
- Seals made of: PTFE glass filled;
PTFE with carbon graphite.
- "T" port (port 3 inlet only).
- For other applications, please contact our sales department.

CERTIFICATIONS:

- ATEX version in conformity with European Directive 2014/34/EU.
- ATEX certificate on request.



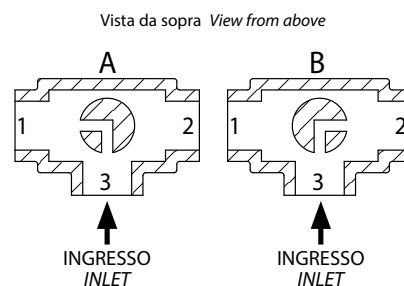
DIAGRAMMA PRESSIONE/TEMPERATURA PRESSURE/TEMPERATURE DIAGRAM



SCHEMA SFERA A "L" PLAN FOR "L" PORT

N.B.: Con attuatore **SR NORMALMENTE CHIUSO** la posizione di riposo della sfera deve essere la "A".
Con attuatore **SR NORMALMENTE APERTO** la posizione di riposo della sfera deve essere la "B".

N.B.: "A" must be the rest position of the ball with **SR FAIL CLOSE** actuator.
"B" must be the rest position of the ball with **SR FAIL OPEN** actuator.



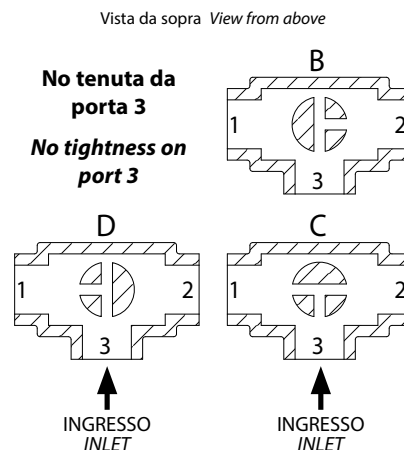
SCHEMA SFERA A "T" (A RICHIESTA) PLAN FOR "T" PORT (ON REQUEST)

Con l'attuatore sono possibili solo due posizioni con rotazione di 90°: la configurazione della sfera deve essere sempre comunicata al nostro ufficio commerciale.

N.B.: Con attuatore **SR NORMALMENTE CHIUSO** scegliere la posizione di riposo della sfera; alimentando, l'attuatore ruota in senso antiorario.
Con attuatore **SR NORMALMENTE APERTO** scegliere la posizione di riposo della sfera; alimentando, l'attuatore ruota in senso orario.

With actuator 2 positions with 90° rotation are possible only: the configuration of the ball must always be communicated at our sales department.

N.B.: Choose the rest position of the ball with **SR FAIL CLOSE** actuator; whenever supplied with air, actuator turns in an anticlockwise direction.
Choose the rest position of the ball with **SR FAIL OPEN** actuator; whenever supplied with air, actuator turns in a clockwise direction.



	COPPIE DI SPUNTO in Nm					BREAKAWAY TORQUES Nm				
MISURA SIZE	DN 15 1/2"	DN 20 3/4"	DN 25 1"	DN 32 1"1/4"	DN 40 1"1/2"	DN 50 2"	DN 65 2"1/2"	DN 80 3"	DN 100 4"	
PN 16 bar							85	128	212	
PN 40 bar	8	13	20	30	42	61				

I valori della coppia possono variare in funzione della temperatura e del tipo di fluido. Considerare un fattore di sicurezza pari a 1,4.
Con frequenti cicli di apertura e chiusura la coppia di manovra può diminuire sensibilmente rispetto a quella iniziale. Gli accoppiamenti attuatore/valvola, riportati nelle pagine seguenti, sono realizzati per valvole che intercettano fluidi liquidi o gassosi, puliti e per medie temperature. Per maggiori informazioni, o utilizzi diversi, consultare il nostro ufficio commerciale.

Torque can vary depending on temperature and type of fluid; a safety factor of 1.4 must be applied. Torque can drop on high frequency of operations. The actuator/valve sizing, indicated on the following pages, are based for valves to be used with liquids or gaseous fluids, clean, and for medium temperatures. For further information, or different uses please contact our sales department.

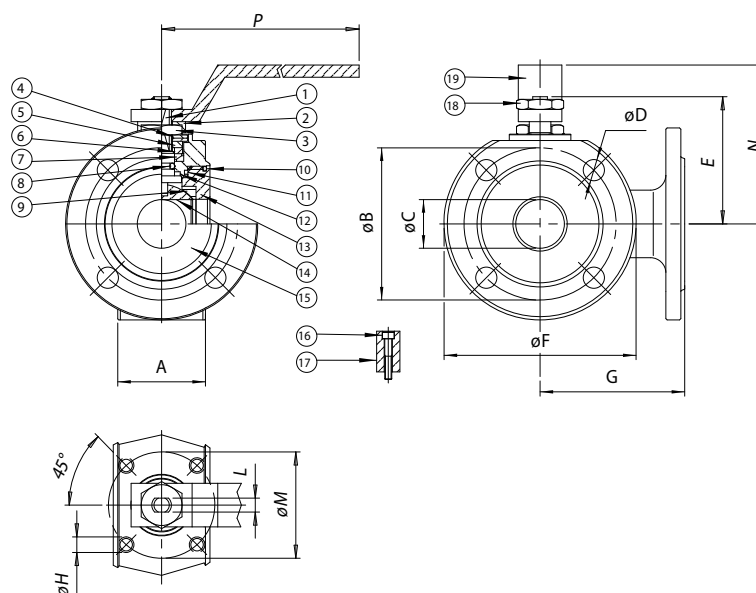


ITEM 545

ACCIAIO AL CARBONIO CARBON STEEL ASSE LIBERO E CON LEVA FREE SHAFT AND WITH LEVER

ASSE LIBERO FREE SHAFT - "L" PORT CON LEVA WITH LEVER - "L" PORT

MISURA SIZE		Asse libero Free shaft	→ ATEX	Kg	Con leva With lever	→ ATEX	Kg	Kit guarnizioni Seals kit
DN [mm]	[inch]							
DN 15	1/2"	V545X604	V545X604YX	1,2	L545X604	L545X604YX	1,35	KGBV4404
DN 20	3/4"	V545X605	V545X605YX	2	L545X605	L545X605YX	2,15	KGBV4405
DN 25	1"	V545X606	V545X606YX	2,65	L545X606	L545X606YX	2,8	KGBV4406
DN 32	1" 1/4	V545X607	V545X607YX	3,8	L545X607	L545X607YX	4	KGBV4407
DN 40	1" 1/2	V545X608	V545X608YX	5,5	L545X608	L545X608YX	5,7	KGBV4408
DN 50	2"	V545X609	V545X609YX	6,2	L545X609	L545X609YX	6,5	KGBV4409
DN 65	2" 1/2	V545X610	V545X610YX	10	L545X610	L545X610YX	10,3	KGBV4410
DN 80	3"	V545X611	V545X611YX	11,2	L545X611	L545X611YX	11,7	KGBV4411
DN 100	4"	V545X612	V545X612YX	20,2	L545X612	L545X612YX	20,7	KGBV4412



MATERIALI MATERIALS

1	Stelo Shaft	316 S.S.	1.4401	UNI X5CrNiMo 17 12
2	Piastra bloccadado Nut holder	304 S.S.	1.4301	UNI X5CrNi 18 10
3	Dado di bloccaggio Lock nut	Acciaio al carbonio Carbon steel		
4	Molla a tazza Belleville washer	50Crv4		
5	Distanziale Ring	304 S.S.	1.4301	UNI X5CrNi 18 10
6*	Anello premiguarnizione Gland nut ring	304 S.S.	1.4301	UNI X5CrNi 18 10
7*	Coppia di tenuta superiore Top sealing	P.T.F.E.		
8*	O-ring di tenuta intermedia O-ring	FKM		
9*	Guarnizioni di tenuta laterale Seals	P.T.F.E.		
10*	O-ring tenuta ghiera O-ring	FKM		
11*	Guarnizioni di tenuta ghiera Ring nut sealing	P.T.F.E.		
12*	Tenuta inferiore Bottom sealing	P.T.F.E.		
13	Ghiera Ring nut	A105		
14	Sfera Ball DN15-DN50	316 S.S.	1.4401	UNI X5CrNiMo 17 12
14	Sfera Ball DN65-DN100	304 S.S.	1.4301	UNI X5CrNi 18 10
15	Corpo Body	A105		
16	Vite per fermo posizione Holder screw	Acciaio al carbonio Carbon steel		
17	Fermo di posizione Holder	304 S.S.	1.4301	UNI X5CrNi 18 10
18	Dado blocca leva Lever nut	Acciaio al carbonio Carbon steel		
19	Leva di manovra Lever	Acciaio al carbonio Carbon steel		

* Particolari del kit di ricambio Components of spare part kit KGBV63...

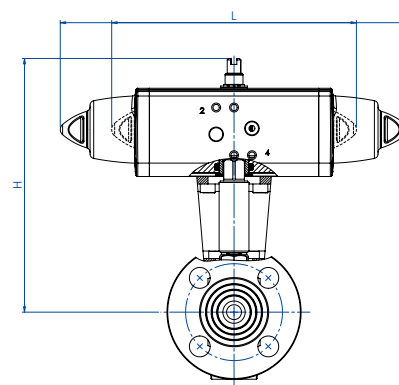
DIMENSIONI DIMENSIONS

MISURA SIZE		A	øB	øC	øD	E	øF	G	øH	L	øM	N	P
DN [mm]	[inch]												
DN 15	1/2"	35	65	10	M12X4	48	90	85	M5	6	36	65	140
DN 20	3/4"	38	75	15	M12X4	51	100	90	M5	6	36	70	140
DN 25	1"	43	85	20	M12X4	62,5	110	90	M5	8	42	82	180
DN 32	1" 1/4	54	100	25	M16X4	67	130	105	M5	8	42	85	180
DN 40	1" 1/2	66	110	32	M16X4	80	140	120	M6	10	50	102	230
DN 50	2"	83	125	40	M16X4	87	150	130	M6	10	50	110	230
DN 65	2" 1/2	103	145	50	M16X4	119,5	175	150	M8	14	70	137,5	350
DN 80	3"	122	160	65	M16X8	129,5	190	175	M8	14	70	150	350
DN 100	4"	153	180	78	M16X8	148,5	220	185	M10	16	102	165	508



ITEM 545

ACCIAIO AL CARBONIO CARBON STEEL CON ATTUATORE WITH ACTUATOR



CON ATTUATORE PNEUMATICO DOPPIO EFFETTO WITH DOUBLE ACTING PNEUMATIC ACTUATOR

MISURA SIZE		ARTICOLO ITEM CODE	ATTUATORE ACTUATOR	KIT montaggio Mounting KIT	L [mm]	H [mm]	Kg	ATEX
DN [mm]	[inch]							
DN 15	1/2"	DG545H064	DAN0015411S	KCNAAHDS247	159,0	152,8	2,0	DG545H064YX
DN 20	3/4"	DG545H065	DAN0030411S	KCNAAHDS247	174,2	162,8	3,0	DG545H065YX
DN 25	1"	DG545H066	DAN0030411S	KCNBCHDS249	174,2	178,3	3,7	DG545H066YX
DN 32	1" 1/4	DG545H067	DAN0045412S	KCNBCHDS249	188,5	190,1	5,0	DG545H067YX
DN 40	1" 1/2	DG545H068	DAN0060412S	KCNCCCHDS251	198,0	200,0	7,1	DG545H068YX
DN 50	2"	DG545H069	DAN0106411S	KCNCCCHDS252	237,0	219,8	7,0	DG545H069YX
DN 65	2" 1/2	DG545H070	DAN0120411S	KCNDDHDS289	244,1	235,6	12,7	DG545H070YX
DN 80	3"	DG545H071	DAN0180411S	KCNDDHDS290	289,9	285,5	15,8	DG545H071YX
DN 100	4"	DG545H072	DAN0360411S	KCNEEHD5291	339,3	329,0	28,0	DG545H072YX

CON ATTUATORE PNEUMATICO SEMPLICE EFFETTO WITH SPRING RETURN PNEUMATIC ACTUATOR

MISURA SIZE		ARTICOLO ITEM CODE	ATTUATORE ACTUATOR	KIT montaggio Mounting KIT	L [mm]	H [mm]	Kg	ATEX
DN [mm]	[inch]							
DN 15	1/2"	SG545H064	SRN0015401S	KCNAAHDS247	233,2	159,8	2,0	SG545H064YX
DN 20	3/4"	SG545H065	SRN0030402S	KCNACHDS248	258,8	184,0	4,0	SG545H065YX
DN 25	1"	SG545H066	SRN0030402S	KCNBCHDS250	258,8	189,5	4,6	SG545H066YX
DN 32	1" 1/4	SG545H067	SRN0053401S	KCNBCHDS288	304,2	208,8	6,2	SG545H067YX
DN 40	1" 1/2	SG545H068	SRN0060401S	KCNCCCHDS252	338,5	216,6	8,9	SG545H068YX
DN 50	2"	SG545H069	SRN0090401S	KCNCDHDS253	393,7	253,5	9,0	SG545H069YX
DN 65	2" 1/2	SG545H070	SRN0120401S	KCNDDHDS290	409,6	279,7	16,4	SG545H070YX
DN 80	3"	SG545H071	SRN0180401S	KCNDDHDS290	474,0	297,0	21,0	SG545H071YX
DN 100	4"	SG545H072	SRN0360401S	KCNEEHD5292	613,0	359,0	38,0	SG545H072YX

Dimensionamento degli attuatori pneumatici fatto considerando una pressione minima di alimentazione pari a 5,6 barg. Sizing of pneumatic actuators by minimum pressure rate 5,6 barg.

A richiesta, articoli disponibili anche con attuatori elettrici.
On request, items available also with electric actuators.





ITEM 615-616

VALVOLA A SFERA IN PVC 2 VIE CON ATTACCHI FILETTATI O DA INCOLLARE - PASSAGGIO INTEGRALE.

2-WAY FULL-BORE PVC BALL VALVE, THREADED OR GLUED ENDS.

ITEM 615

Connessione: filettata

ITEM 615

Connection: threaded

ITEM 616

Connessione: da incollare

ITEM 616

Connection: to be glued



UP TO DN50



DN65 ÷ DN100

CARATTERISTICHE GENERALI:

- Temperatura di esercizio: da 0°C a 60°C.
- Pressione di esercizio: vedi diagramma.
- Applicazioni: sostanze chimiche, fluidi ai quali il PVC è chimicamente resistente.
- Attacchi: filettati femmina a norma DIN/ISO 228/1;
- da incollare a norma ISO 727 UNI EN 1452.
- PN 16 sino a 20°C se classificata CHIMICAMENTE RESISTENTE con fluido impiegato per le valvole con attacchi da incollare, PN10 per attacchi filettati.

ESECUZIONI SPECIALI A RICHIESTA:

- Contattare il nostro ufficio commerciale.

GENERAL FEATURES:

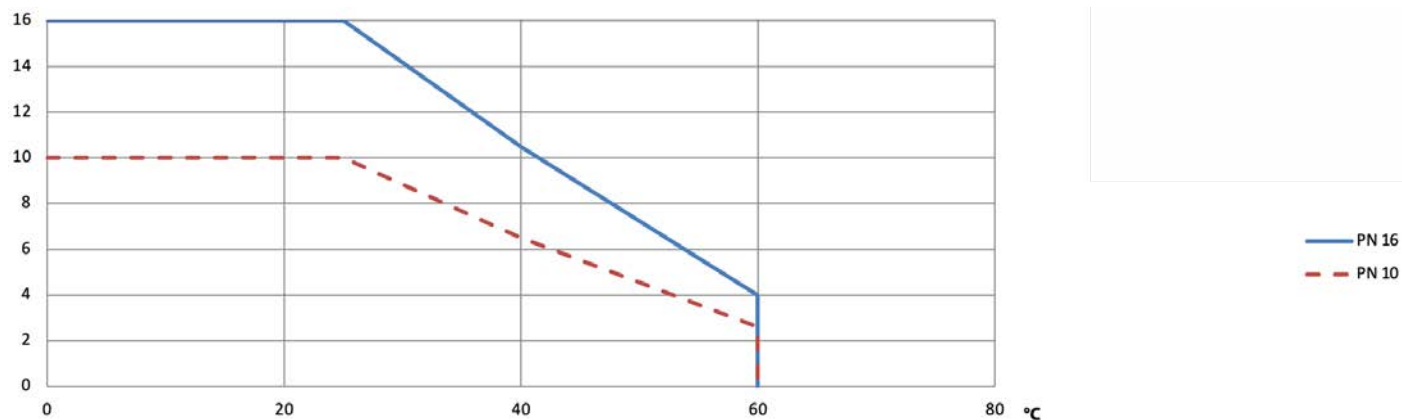
- Working temperature: from 0°C to 60°C.
- Working pressure: see diagram.
- Applications: chemical and all kinds of fluids compatible with PVC.
- Connections: Female threaded as per DIN/ISO 228/1;
- to be glued ISO 727 UNI EN 1452.
- PN 16 till 20°C if classified chemical resistant with the used fluid with glued ends, PN10 with threaded ends.

ON REQUEST:

- Please contact our sales department.



DIAGRAMMA PRESSIONE/TEMPERATURA PRESSURE/TEMPERATURE DIAGRAM



PORTATA/PERDITA DI CARICO E COEFFICIENTE NOMINALE Kv FLOW-PRESSURE LOSS AND Kv NOMINAL COEFFICIENT

	DN10	DN15	DN20	DN25	DN32	DN40	DN50	DN65	DN80	DN100
Kv100	70	185	350	700	1000	1600	3100	5000	7000	11000
KV	4,2	11,1	21	42	60	96	186	300	420	660

KV100 litri al minuto *KV100 liters per minute*
 KV metricubi/ora *KV cubic meters / hour*

Il valore Kv è il valore di portata in m³/h (con acqua a 15°C) che provoca la caduta di pressione di 1 bar. *Kv is the coefficient, expressed in m³/h (with water at 15°C) causing a pressure loss of 1 bar.*

COPPIE DI SPUNTO in Nm BREAKAWAY TORQUES Nm

MISURA SIZE	DN 10 3/8"	DN 15 1/2"	DN 20 3/4"	DN 25 1"	DN 32 1"1/4"	DN 40 1"1/2"	DN 50 2"	DN 65 2"1/2"	DN 80 3"	DN 100 4"
PN 10/16 bar	2	2	3	4	5,5	7,5	10	15	23	40

I valori della coppia possono variare in funzione della temperatura e del tipo di fluido. Considerare un fattore di sicurezza pari a 1,4.
 Con frequenti cicli di apertura e chiusura la coppia di manovra può diminuire sensibilmente rispetto a quella iniziale. Gli accoppiamenti attuatore/valvola, riportati nelle pagine seguenti, sono realizzati per valvole che intercettano fluidi liquidi o gassosi, puliti e per medie temperature. Per maggiori informazioni, o utilizzi diversi, consultare il nostro ufficio commerciale.

Torque can vary depending on temperature and type of fluid; a safety factor of 1.4 must be applied. Torque can drop on high frequency of operations. The actuator/valve sizing, indicated on the following pages, are based for valves to be used with liquids or gaseous fluids, clean, and for medium temperatures. For further information, or different uses please contact our sales department.

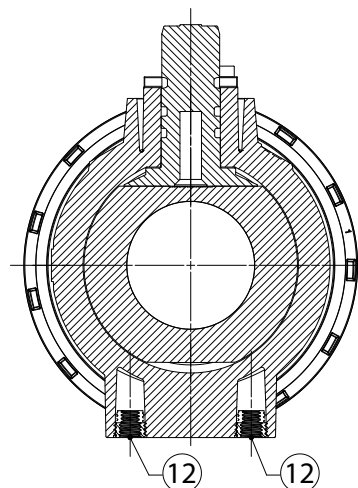
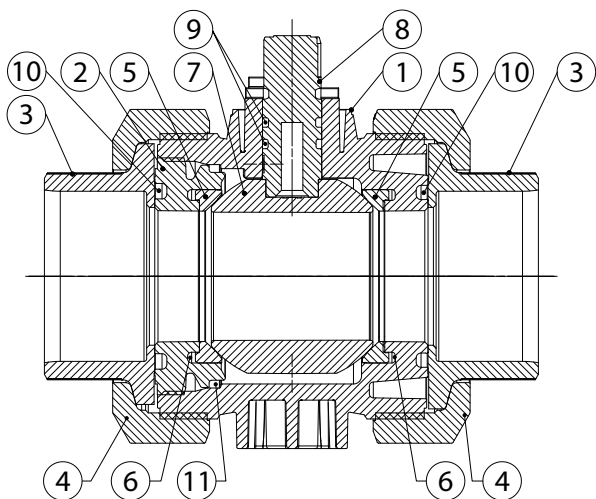
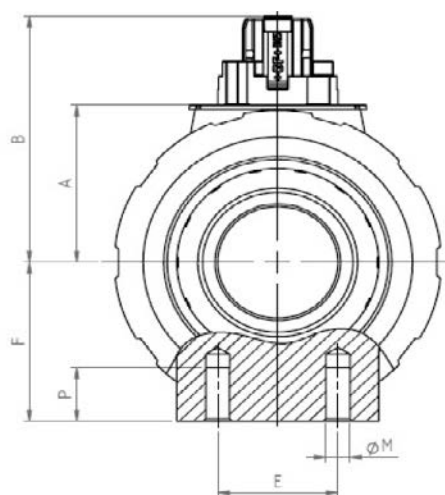
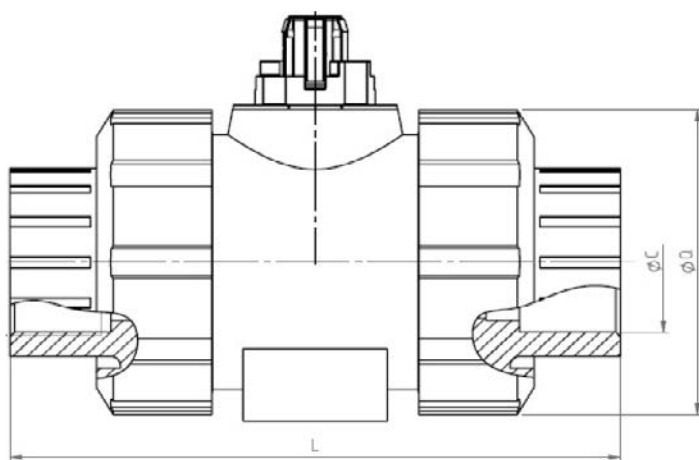


ITEM 615-616

PVC PVC

ASSE LIBERO E CON LEVA *FREE SHAFT AND WITH LEVER*

MISURA SIZE		ASSE LIBERO <i>FREE SHAFT</i>			CON LEVA <i>WITH LEVER</i>		
DN [mm]	[inch]	Asse libero filettata <i>Free shaft threaded</i>	Asse libero da incollare <i>Free shaft to be glued</i>	Kg	Con leva filettata <i>With lever threaded</i>	Con leva da incollare <i>With lever to be glued</i>	Kg
DN 10	3/8"	V615P203	V616P753	0,1	L615P203	L616P753	0,16
DN 15	1/2"	V615P204	V616P754	0,1	L615P204	L616P754	0,16
DN 20	3/4"	V615P205	V616P755	0,2	L615P205	L616P755	0,25
DN 25	1"	V615P206	V616P756	0,3	L615P206	L616P756	0,35
DN 32	1" 1/4	V615P207	V616P757	0,55	L615P207	L616P757	0,62
DN 40	1" 1/2	V615P208	V616P758	0,76	L615P208	L616P758	0,85
DN 50	2"	V615P209	V616P759	1,1	L615P209	L616P759	1,56
DN 65	2" 1/2	V615P210	V616P760	3,3	L615P210	L616P760	3,57
DN 80	3"	V615P211	V616P761	5	L615P211	L616P761	5,38
DN 100	4"	V615P212	V616P762	11,1	L615P212	L616P762	11,6



MISURA SIZE		DIMENSIONI <i>DIMENSIONS</i>										
DN [mm]	[inch]	L Filettata Threaded	L Incollare Glued	ØQ	ØC Filettate Threaded	ØC Incollare Glued	A	B	E	F	ØM	P
DN 10	3/8"	95	92	50	3/8"	16	26,1	41	25	27	6	12
DN 15	1/2"	100	95	50	1/2"	20	26,1	41	25	27	6	12
DN 20	3/4"	114	110	58	3/4"	25	30	48,5	25	30	6	12
DN 25	1"	127	123	68	1"	32	35,2	55	25	36	6	12
DN 32	1" 1/4	146	146	84	1" 1/4	40	44	66,9	45	44	8	15
DN 40	1" 1/2	152	157	97	1" 1/2	50	50,2	73,1	45	51	8	15
DN 50	2"	177	183	124	2"	63	62	89,4	45	64	8	15
DN 65	2" 1/2	233	233	166	2" 1/2	75	84,1	126	70	85	8	15
DN 80	3"	254	254	200	3"	90	95,9	138	70	105	8	15
DN 100	4"	301	301	238	4"	110	109,9	152	120	123	12	22

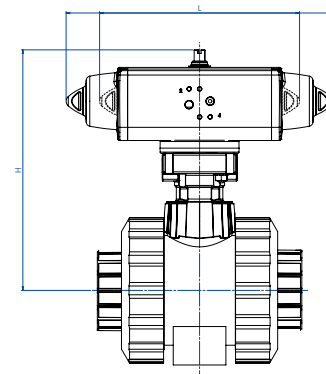
MATERIALI <i>MATERIALS</i>		
1	Corpo <i>Body</i>	PVC-U
2	Supporto guarnizione sfera <i>Ball sealing support</i>	PVC-U
3	Manicotto <i>End</i>	PVC-U
4	Ghiera <i>Nut ring</i>	PVC-U
5	Guarnizione tenuta sfera <i>Ball sealing</i>	PTFE
6	O-ring retroseggio <i>Backing seal</i>	EPDM
7	Sfera <i>Ball</i>	PVC-U
8	Stelo <i>Stem</i>	PVC-U
9	O-ring stelo <i>Shaft o-ring</i>	EPDM
10	O-ring tenuta manicotto <i>Valve end seal</i>	EPDM
11	O-ring corpo <i>Body seal</i>	EPDM
12	Inserti di montaggio <i>Mounting insert</i>	S.S.



ITEM 615-616

PVC PVC

CON ATTUATORE WITH ACTUATOR



CON ATTUATORE PNEUMATICO DOPPIO EFFETTO WITH DOUBLE ACTING PNEUMATIC ACTUATOR

MISURA DN [mm]	SIZE [inch]	ARTICOLO valvola filettata ITEM CODE threaded valve	ARTICOLO valvola da incollare ITEM CODE to be glued valve	ATTUATORE ACTUATOR	KIT montaggio Mounting KIT	L [mm]	H [mm]	Kg
10	3/8"	DG615H003	DG616H083	DA008401S	KCF036072	70	105	0,5
15	1/2"	DG615H004	DG616H084	DA008401S	KCF036072	70	105	0,5
20	3/4"	DG615H005	DG616H085	DAN0015411S	KCF056015	159,0	128,0	1,2
25	1"	DG615H006	DG616H086	DAN0015411S	KCF056015	159,0	133,0	1,3
32	1"1/4	DG615H007	DG616H087	DAN0030411S	KCF056009	174,2	152	1,85
40	1"1/2	DG615H008	DG616H088	DAN0030411S	KCF056009	174,2	158,0	2,0
50	2"	DG615H009	DG616H089	DAN0030411S	KCF056010	174,2	175,0	2,7
65	2"1/2	DG615H010	DG616H090	DAN0030411S	KCF045457	174,2	250,0	4,7
80	3"	DG615H011	DG616H091	DAN0045412S	KCF045457	188,5	267,0	6,8
100	4"	DG615H012	DG616H092	DAN0060412S	KCF055459	198,0	265,0	10,5

CON ATTUATORE PNEUMATICO SEMPLICE EFFETTO WITH SPRING RETURN PNEUMATIC ACTUATOR

MISURA DN [mm]	SIZE [inch]	ARTICOLO valvola filettata ITEM CODE threaded valve	ARTICOLO valvola da incollare ITEM CODE to be glued valve	ATTUATORE ACTUATOR	KIT montaggio Mounting KIT	L [mm]	H [mm]	Kg
10	3/8"	SG615H003	SG616H083	SRN0015401S	KCF056007	233,2	126,0	1,5
15	1/2"	SG615H004	SG616H084	SRN0015401S	KCF056007	233,2	126,0	1,5
20	3/4"	SG615H005	SG616H085	SRN0015401S	KCF056015	233,2	135,0	1,7
25	1"	SG615H006	SG616H086	SRN0015401S	KCF056015	233,2	140,0	1,8
32	1"1/4	SG615H007	SG616H087	SRN0015401S	KCF056009	233,2	152,0	2,0
40	1"1/2	SG615H008	SG616H088	SRN0030402S	KCF056009	258,8	168,0	3,0
50	2"	SG615H009	SG616H089	SRN0030402S	KCF056010	258,8	185,0	3,7
65	2"1/2	SG615H010	SG616H090	SRN0030402S	KCF055463	258,8	260,0	5,7
80	3"	SG615H011	SG616H091	SRN0053401S	KCF075498	304,2	287,0	8,6
100	4"	SG615H012	SG616H092	SRN0060401S	KCF075499	338,5	282,0	12,3

Dimensionamento degli attuatori pneumatici fatto considerando una pressione minima di alimentazione pari a 5,6 barg. Sizing of pneumatic actuators by minimum pressure rate 5,6 barg.

A richiesta, articoli disponibili anche con attuatori elettrici.
On request, items available also with electric actuators.





ITEM 635-636-637-638

VALVOLA A SFERA IN PVC 3 VIE CON ATTACCHI FILETTATI O DA INCOLLARE - SFERA A "T" O "L" PASSAGGIO INTEGRALE.

3-WAY FULL-BORE PVC BALL VALVE, THREADED OR GLUED ENDS, "T" OR "L" PORT.

ITEM 635

Connessione: filettata
Valvola con sfera a "T"

ITEM 635

Connection: threaded
Valve "T" port

ITEM 636

Connessione: filettata
Valvola con sfera a "L"

ITEM 636

Connection: threaded
Valve "L" port

ITEM 637

Connessione: da incollare
Valvola con sfera a "T"

ITEM 637

Connection: to be glued
Valve "T" port

ITEM 638

Connessione: da incollare
Valvola con sfera a "L"

ITEM 638

Connection: to be glued
Valve "L" port



CARATTERISTICHE GENERALI:

- Valvola di smistamento e miscelazione con 3 guarnizioni. Permette la deviazione del flusso in tutte le direzioni con chiusura della mandata su uno dei tre attacchi.
- Temperatura di esercizio: da 0°C a +60°C.
- Pressione di esercizio: vedi diagramma.
- Applicazioni: sostanze chimiche, fluidi ai quali il PVC è chimicamente resistente.
- Attacchi: filettati femmina a norma DIN/ISO 228/1; da incollare a norma ISO 727 UNI EN 1452.
- PN 10 sino a 25°C se classificata CHIMICAMENTE RESISTENTE con fluido impiegato.

GENERAL FEATURES:

- Valve with 3 seats for mixing and diverting processes. It's possible to select two ways and shut off flow in the third way.
- Working temperature: from 0°C to +60°C.
- Working pressure: see diagram.
- Applications: chemicals and all kind of fluids compatible with PVC.
- Connections: Female threaded as per DIN/ISO 228/1; to be glued as per ISO 727 UNI EN 1452.
- PN 10 till 25°C if classified chemical resistant with the used fluid.

ESECUZIONI SPECIALI A RICHIESTA:

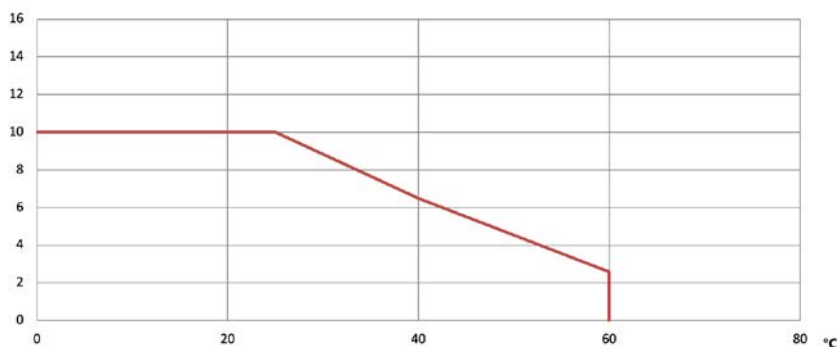
- Contattare il nostro ufficio commerciale.

ON REQUEST:

- Please contact our sales department.



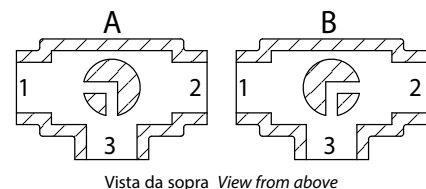
DIAGRAMMA PRESSIONE/TEMPERATURA PRESSURE/TEMPERATURE DIAGRAM



SCHEMA SFERA A "L" PLAN FOR "L" PORT

N.B.: Con attuatore **SR NORMALMENTE CHIUSO** la posizione di riposo della sfera deve essere la "A".
Con attuatore **SR NORMALMENTE APERTO** la posizione di riposo della sfera deve essere la "B".

N.B.: "A" must be the rest position of the ball with **SR FAIL CLOSE** actuator.
"B" must be the rest position of the ball with **SR FAIL OPEN** actuator.



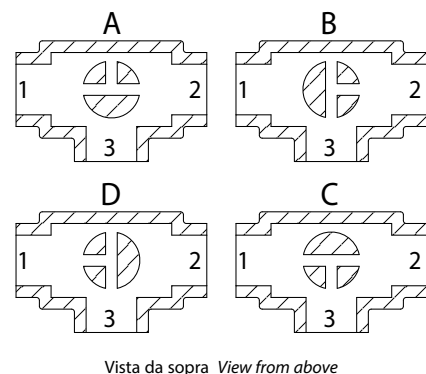
SCHEMA SFERA A "T" PLAN FOR "T" PORT

Con l'attuatore sono possibili solo due posizioni con rotazione di 90°: la configurazione della sfera deve essere sempre comunicata al nostro ufficio commerciale.

N.B.: Con attuatore **SR NORMALMENTE CHIUSO** scegliere la posizione di riposo della sfera; alimentando, l'attuatore ruota in senso antiorario.
Con attuatore **SR NORMALMENTE APERTO** scegliere la posizione di riposo della sfera; alimentando, l'attuatore ruota in senso orario.

With actuator 2 positions with 90° rotation are possible only: the configuration of the ball must always be communicated at our sales department.

N.B.: Choose the rest position of the ball with **SR FAIL CLOSE** actuator; whenever supplied with air, actuator turns in an anticlockwise direction.
Choose the rest position of the ball with **SR FAIL OPEN** actuator; whenever supplied with air, actuator turns in a clockwise direction.



PORTATA/PERDITA DI CARICO E COEFFICIENTE NOMINALE Kv FLOW-PRESSURE LOSS DIAGRAM AND Kv NOMINAL COEFFICIENT

	SFERA "L" "L" PORT						
	DN10	DN15	DN20	DN25	DN32	DN40	DN50
Kv100	50	75	150	280	480	620	1230
KV	3	4,5	9	16,8	28,8	37,2	73,8

	SFERA "T" "T" PORT						
	DN10	DN15	DN20	DN25	DN32	DN40	DN50
Kv100	140	200	470	793	1290	1910	3100
KV	8,4	12	28,2	47,6	77,4	114,6	186

KV100 litri al minuto KV100 liters per minute
KV metricubi/ora KV cubic meters / hour

Il valore Kv è il valore di portata in m³/h (con acqua a 15°C) che provoca la caduta di pressione di 1 bar. Kv is the coefficient, expressed in m³/h (with water at 15°C) causing a pressure loss of 1 bar.

COPPIE DI SPUNTO in Nm BREAKAWAY TORQUES Nm							
MISURA SIZE	DN 10 3/8"	DN 15 1/2"	DN 20 3/4"	DN 25 1"	DN 32 1"1/4"	DN 40 1"1/2"	DN 50 2"
PN 10 bar	2	2	3	4	5,5	7,5	10

I valori della coppia possono variare in funzione della temperatura e del tipo di fluido. Considerare un fattore di sicurezza pari a 1,4.
Con frequenti cicli di apertura e chiusura la coppia di manovra può diminuire sensibilmente rispetto a quella iniziale. Gli accoppiamenti attuatore/valvola, riportati nelle pagine seguenti, sono realizzati per valvole che intercettano fluidi liquidi o gassosi, puliti e per medie temperature. Per maggiori informazioni, o utilizzi diversi, consultare il nostro ufficio commerciale.
Torque can vary depending on temperature and type of fluid; a safety factor of 1.4 must be applied. Torque can drop on high frequency of operations. The actuator/valve sizing, indicated on the following pages, are based for valves to be used with liquids or gaseous fluids, clean, and for medium temperatures. For further information, or different uses please contact our sales department.

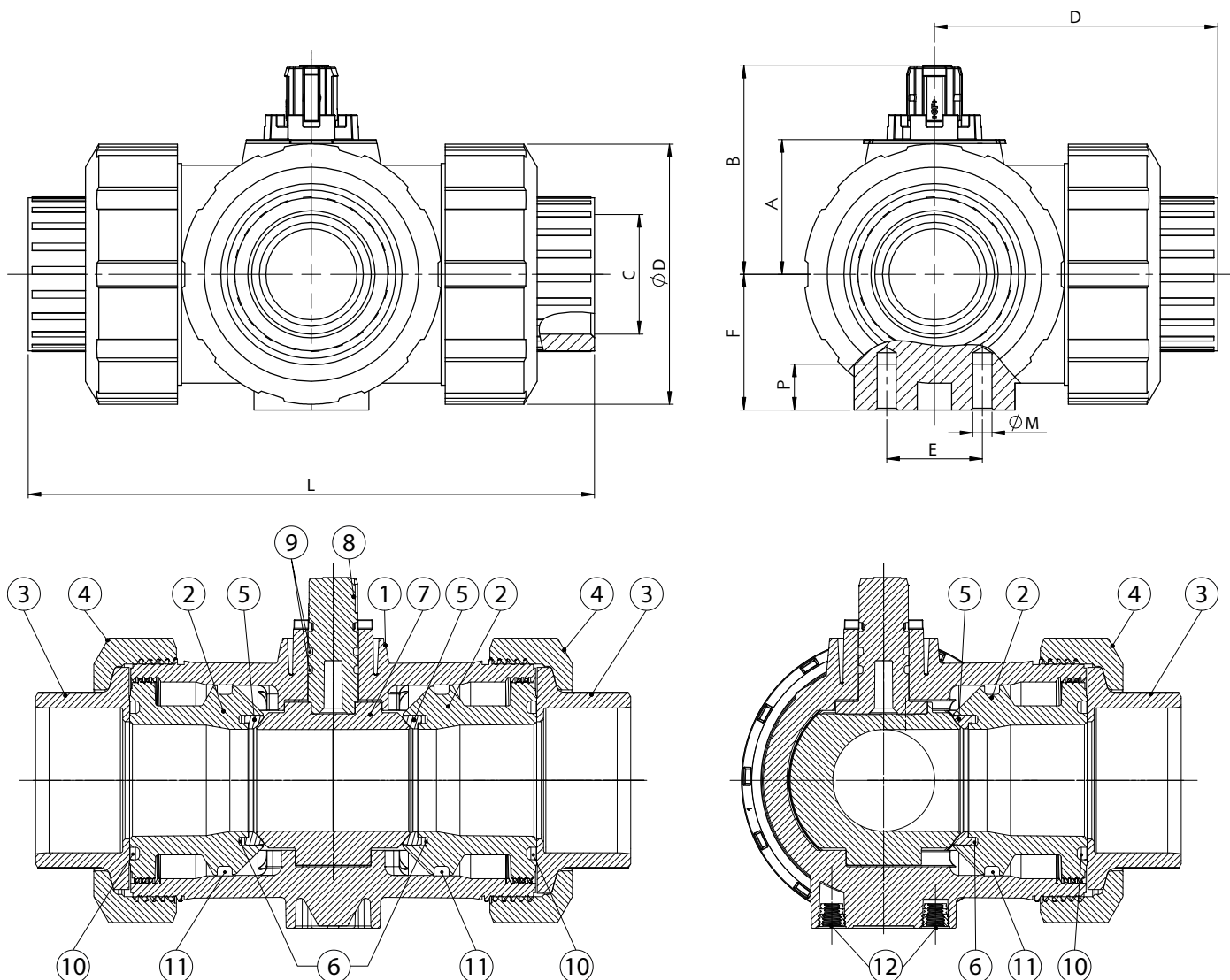


ITEM 635-636-637-638

PVC PVC

ASSE LIBERO E CON LEVA FREE SHAFT AND WITH LEVER

MISURA SIZE		ASSE LIBERO FREE SHAFT				Kg	CON LEVA WITH LEVER				Kg
		Asse libero filettata Free shaft threaded		Asse libero da incollare Free shaft to be glued			Con leva filettata With lever threaded		Con leva da incollare With lever to be glued		
DN [mm]	[inch]	"T" port	"L" port	"T" port	"L" port		"T" port	"L" port	"T" port	"L" port	
DN 10	3/8"	V635P203	V636P203	V637P753	V638P753	0,18	L635P203	L636P203	L637P753	L638P753	0,24
DN 15	1/2"	V635P204	V636P204	V637P754	V638P754	0,19	L635P204	L636P204	L637P754	L638P754	0,25
DN 20	3/4"	V635P205	V636P205	V637P755	V638P755	0,30	L635P205	L636P205	L637P755	L638P755	0,36
DN 25	1"	V635P206	V636P206	V637P756	V638P756	0,49	L635P206	L636P206	L637P756	L638P756	0,55
DN 32	1" 1/4	V635P207	V636P207	V637P757	V638P757	0,81	L635P207	L636P207	L637P757	L638P757	0,94
DN 40	1" 1/2	V635P208	V636P208	V637P758	V638P758	1,21	L635P208	L636P208	L637P758	L638P758	1,39
DN 50	2"	V635P209	V636P209	V637P759	V638P759	2,50	L635P209	L636P209	L637P759	L638P759	2,7



MISURA SIZE		DIMENSIONI DIMENSIONS												
DN [mm]	[inch]	A	B	C Filettata Threaded	C Incollare Glued	D Filettata Threaded	D Incollare Glued	E	F	L Filettata Threaded	L Incollare Glued	ØM	P	ØQ
DN 10	3/8"	26,1	41	3/8"	16	54	52	25	28	113	109	6	8	50
DN 15	1/2"	26,1	41	1/2"	20	56	54	25	28	117	112	6	8	50
DN 20	3/4"	30	48,5	3/4"	25	66	64	25	32	135	131	6	8	58
DN 25	1"	35,2	55	1"	32	74	72	25	36	155	151	6	8	68
DN 32	1" 1/4	44	66,9	1" 1/4	40	89	90	45	45	179	181	8	9	84
DN 40	1" 1/2	50,2	73,1	1" 1/2	50	102,5	105	45	51	201	205	8	9	97
DN 50	2"	62	89,4	2"	63	130,5	133,5	45	65	255	261	8	9	124

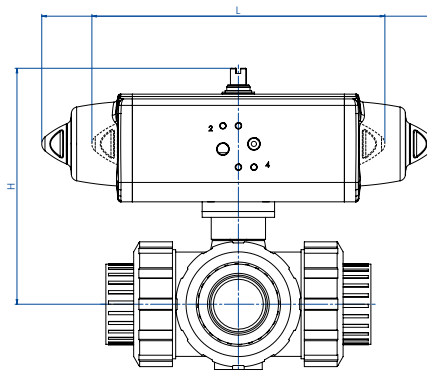
MATERIALI MATERIALS	
1 Corpo Body	PVC-U
2 Supporto guarnizione sfera Ball sealing support	PVC-U
3 Manicotto End	PVC-U
4 Ghiera Nut ring	PVC-U
5 Guarnizione tenuta sfera Ball sealing	PTFE
6 O-ring retroseggio Backing seal	EPDM
7 Sfera Ball	PVC-U
8 Stelo Stem	PVC-U
9 O-ring stelo Shaft o-ring	EPDM
10 O-ring tenuta manicotto Valve end seal	EPDM
11 O-ring corpo Body seal	EPDM
12 Inserti di montaggio Mounting insert	S.S.



ITEM 635-636-637-638

PVC PVC

CON ATTUATORE WITH ACTUATOR



CON ATTUATORE PNEUMATICO DOPPIO EFFETTO WITH DOUBLE ACTING PNEUMATIC ACTUATOR

MISURA SIZE		ARTICOLO valvola filettata ITEM CODE threaded valve	ARTICOLO valvola da incollare ITEM CODE to be glued valve	ATTUATORE ACTUATOR	KIT montaggio Mounting KIT	L [mm]	H [mm]	Kg
DN [mm]	[inch]							
10	3/8"	DG63*H003	DG63*H083	DA008401S	KCF036072	70	105	0,75
15	1/2"	DG63*H004	DG63*H084	DA008401S	KCF036072	70	105	0,8
20	3/4"	DG63*H005	DG63*H085	DAN0015411S	KCF056015	159,0	128,0	1,30
25	1"	DG63*H006	DG63*H086	DAN0015411S	KCF056015	159,0	133,0	1,49
32	1"1/4"	DG63*H007	DG63*H087	DAN0030411S	KCF056009	174,2	152	1,85
40	1"1/2"	DG63*H008	DG63*H088	DAN0030411S	KCF056009	174,0	158,0	2,21
50	2"	DG63*H009	DG63*H089	DAN0030411S	KCF056010	174,0	175,0	3,50

CON ATTUATORE PNEUMATICO SEMPLICE EFFETTO WITH SPRING RETURN PNEUMATIC ACTUATOR

MISURA SIZE		ARTICOLO valvola filettata ITEM CODE threaded valve	ARTICOLO valvola da incollare ITEM CODE to be glued valve	ATTUATORE ACTUATOR	KIT montaggio Mounting KIT	L [mm]	H [mm]	Kg
DN [mm]	[inch]							
10	3/8"	SG63*H003	SG63*H083	SRN0015401S	KCF056007	233,2	126,0	1,68
15	1/2"	SG63*H004	SG63*H084	SRN0015401S	KCF056007	233,2	126,0	1,69
20	3/4"	SG63*H005	SG63*H085	SRN0015401S	KCF056015	233,2	135,0	1,80
25	1"	SG63*H006	SG63*H086	SRN0015401S	KCF056015	233,2	140,0	1,99
32	1"1/4"	SG63*H007	SG63*H087	SRN0015401S	KCF056009	233,2	152,0	2,31
40	1"1/2"	SG63*H008	SG63*H088	SRN0030402S	KCF056009	258,8	168,0	3,21
50	2"	SG63*H009	SG63*H089	SRN0030402S	KCF056010	258,8	185,0	4,50

* Articolo 635: valvola filettata Sfera a T - Articolo 636: valvola filettata Sfera a L - Articolo 637: valvola da incollare Sfera a T - Articolo 638: valvola da incollare Sfera a L.

* Item 635: threaded valve T port - Item 636: threaded valve L port - Item 637: to be glued valve T port - Item 638: to be glued valve L port.

Dimensionamento degli attuatori pneumatici fatto considerando una pressione minima di alimentazione pari a 5,6 barg. Sizing of pneumatic actuators by minimum pressure rate 5,6 barg.

A richiesta, articoli disponibili anche con attuatori elettrici.
On request, items available also with electric actuators.





DNV

FULL QUALITY ASSURANCE CERTIFICATE

Certificate No.: C539822 Initial date: 01 January, 2023 Validity: 01 January, 2023 – 31 December, 2025
 This certificate consists of 2 pages

This is to certify that the quality system of:
OMAL S.p.A.
 Via Ponte Nuovo, 11 - 25050 Rodengo Saiano (BS) - Italy

has been assessed and found to comply with respect to the conformity assessment procedure described in:
ANNEX III MODULE H OF DIRECTIVE 2014/68/EU ON PRESSURE EQUIPMENT

This certificate is valid for the following scope:
 Type of Pressure Equipment: **Pressure Accessory**
 Product Name: **Ball valves, high pressure ball valves, butterfly valves, pneumatic valves.**

Place and date: **Vimercate, 03 December, 2022**

Check Validity 

ACCREDIA
 EN 17061 ACCREDITED

For the issuing office:
 Notified Body 0496, Italy
DNV Business Assurance Italy S.r.l.

Nicola Privato
 Management Representative

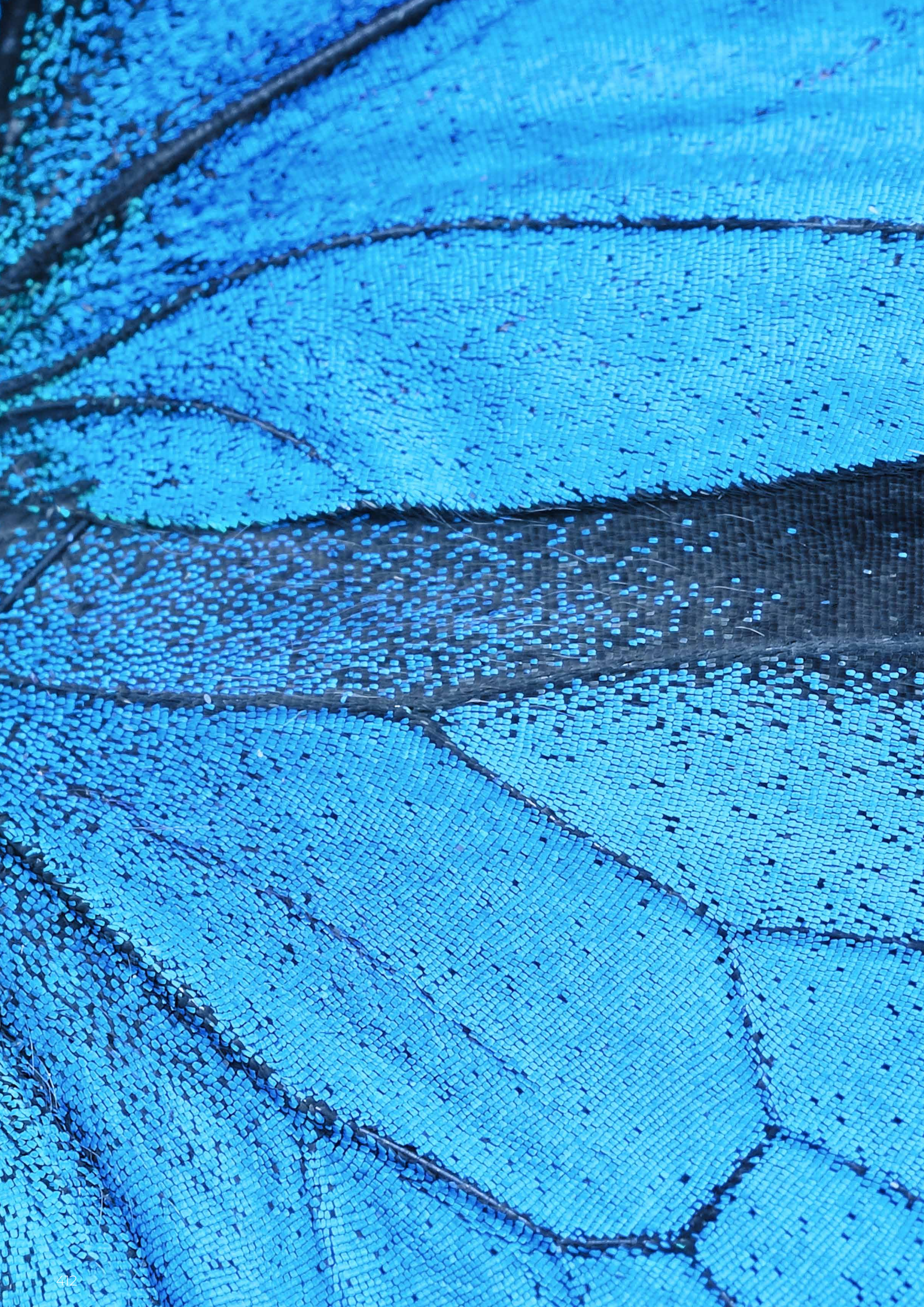
Lack of fulfillment of conditions as set out in the Certification Agreement may render this Certificate invalid. ICF-4-5-G-PED-0 rev.0
 NOTIFIED BODY 0496: DNV Business Assurance Italy S.r.l. Via Energy Park, 14, 20871 Vimercate (MB), Italy. Tel: 039 59 99 905. www.dnv.com

▲ PED

Certificazione del Sistema di Qualità applicato per la progettazione, fabbricazione, ispezione finale e la prova di valvole industriali in accordo con i requisiti della Direttiva PED.

OMAL operated Quality Management System Certificate for the design, manufacture, final inspection and tests of industrial valves in accordance with PED Directives







2.

**VALVOLE
A FARFALLA**

***BUTTERFLY
VALVES***



VALVOLE A FARFALLA · INDICE

Pag:

2. • VALVOLE A FARFALLA

• Caratteristiche generali valvole a farfalla **375-376-377** & **385-386-387**

416



2.1

• ITEM **375-376-377**

424

Valvola a farfalla in ghisa per montaggio tra flange tipo "Wafer"



2.2

• ITEM **385-386-387**

438

Valvola a farfalla in ghisa per montaggio tra flange tipo "Lug"



2.3

• ITEM **270-474**

452

Valvola a farfalla "metallo-metallo" per montaggio tra flange tipo "Wafer"



2.4

• ITEM **490-492-493-494**

454

Valvola a farfalla 2 vie filettata ISO 228/1, DIN 11851, da saldare, clamp



2.5

• ITEM **675**

462

Valvola a farfalla in PVC per montaggio tra flange tipo "Wafer"

2.6

• Certificati valvole a farfalla

466



BUTTERFLY VALVES · INDEX

Pag:

2. • BUTTERFLY VALVES

• General features butterfly valves **375-376-377** & **385-386-387**

416



2.1

• **ITEM 375-376-377**

424

Cast iron butterfly valve for mounting between flanges, "Wafer" type



2.2

• **ITEM 385-386-387**

438

Cast iron butterfly valve for mounting between flanges, "Lug" type



2.3

• **ITEM 270-474**

452

Butterfly valve "metal-metal" for mounting between flanges, "Wafer" type



2.4

• **ITEM 490-492-493-494**

454

Stainless steel butterfly valve with ISO 228/1 threaded, butt welded, DIN 11851 ends, clamp



2.5

• **ITEM 675**

462

PVC butterfly valve for mounting between flanges, "Wafer" type

2.6

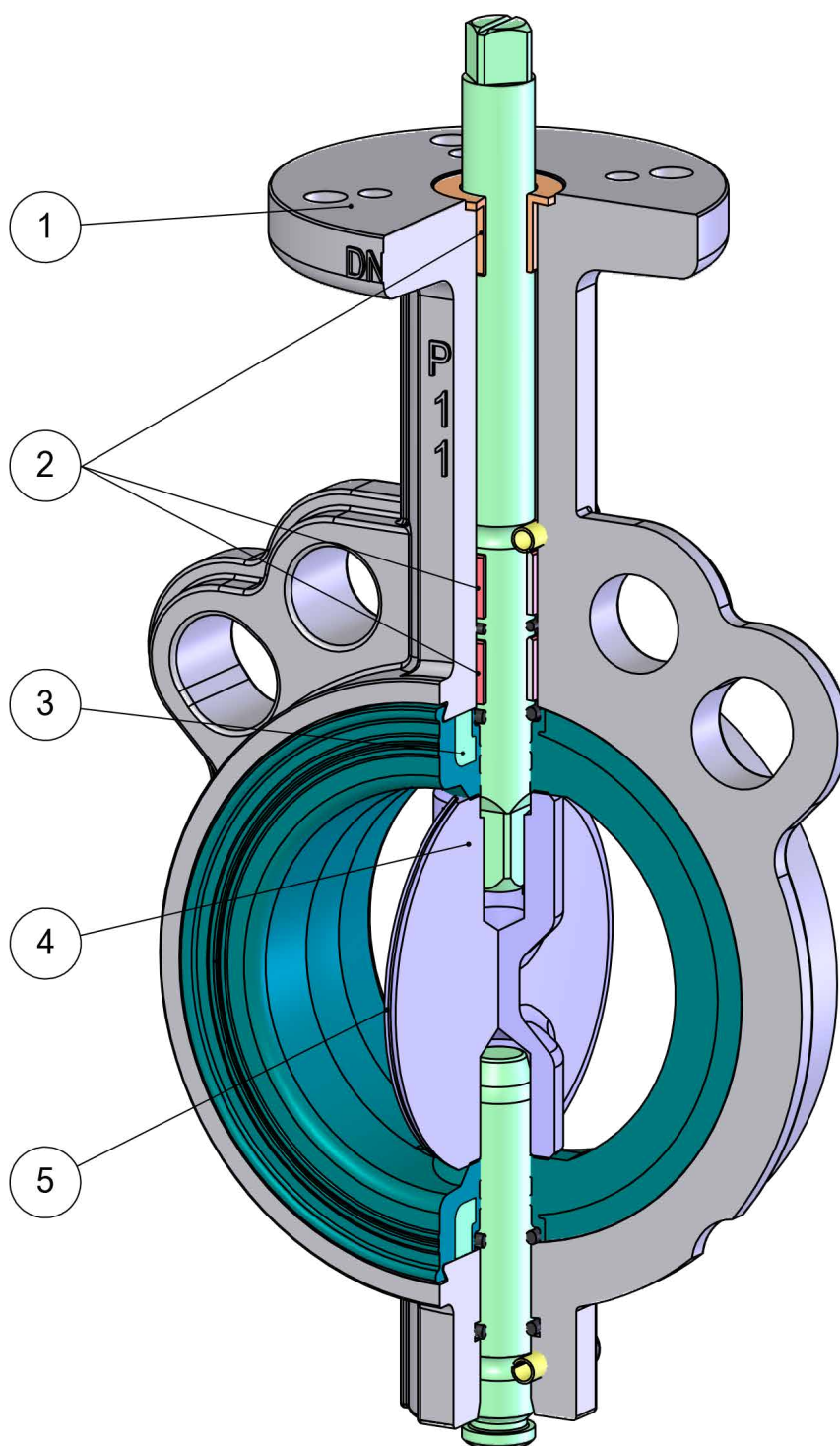
• Butterfly valves certificates

466



ITEMS 375-376-377 & 385-386-387

VALVOLE A FARFALLA IN GHISA *CAST IRON BUTTERFLY VALVES*





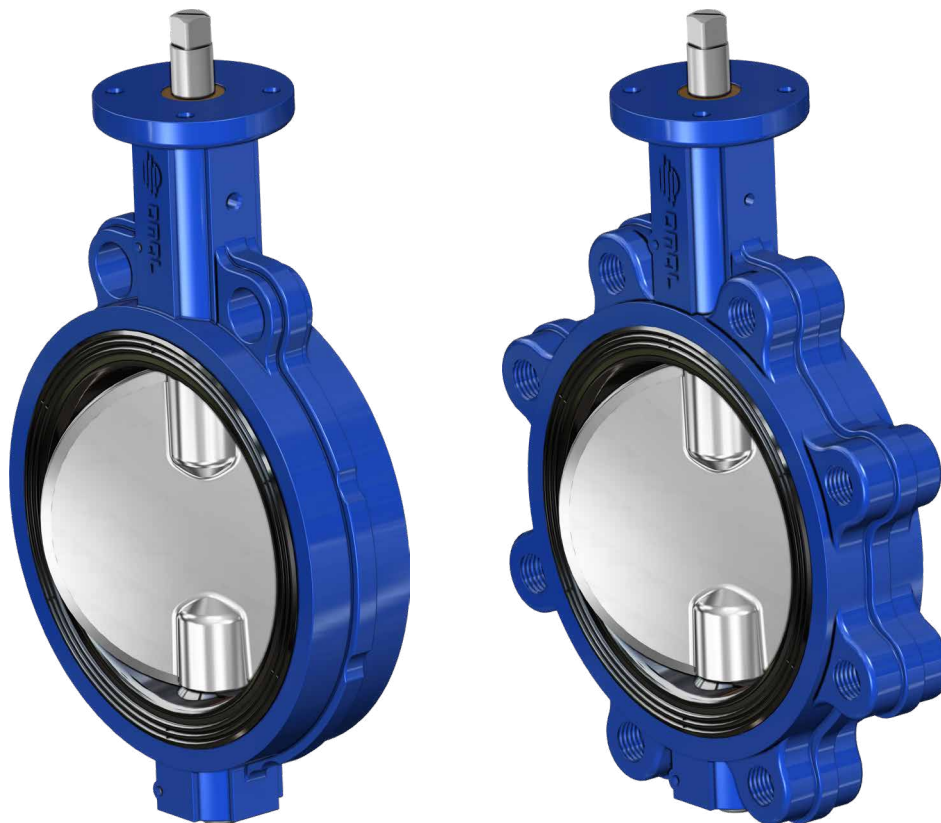
FEATURES & BENEFITS

1	<p>Testa valvola normalizzata EN ISO 5211</p> <p><i>EN ISO 5211 top mounting</i></p>	<p>Facilità di accoppiamento con qualsiasi azionamento.</p> <p><i>Easy coupling with every kind of drives.</i></p>
2	<p>Tre boccole guida sull'albero</p> <p><i>Three guiding bushings on the shaft</i></p>	<p>Si ha un perfetto allineamento dell'albero sul corpo e si evitano oscillazioni anche con alte pressioni.</p> <p><i>It grants a perfect alignment of the shaft on the body and prevents oscillations even with high pressure.</i></p> <p>Si riduce l'attrito tra albero e corpo.</p> <p><i>Less friction between the shaft and body.</i></p>
3	<p>Guarnizione vulcanizzata su anello rigido</p> <p><i>Vulcanized liner on rigid ring</i></p>	<p>La guarnizione subisce minor deformazione durante l'utilizzo.</p> <p><i>Less deformation of the liner.</i></p> <p>Viene facilitato il montaggio/smontaggio della tenuta per eventuali manutenzioni.</p> <p><i>Easy assembly / disassembly of the liner for maintenance.</i></p> <p>La guarnizione non subisce deformazione tra le flange durante l'assemblaggio.</p> <p><i>No deformation of the liner between the flanges during assembly.</i></p> <p>Maggior accuratezza dimensionale durante la fase di stampaggio.</p> <p><i>Greater dimensional accuracy during the injection/molding.</i></p>
4	<p>Albero in 2 pezzi senza elementi di fissaggio</p> <p><i>Shaft in 2 pieces without fixing components</i></p>	<p>Viene facilitato il montaggio/smontaggio della lente per eventuali manutenzioni.</p> <p><i>Easy assembly / disassembly of the disc for maintenance.</i></p> <p>Maggior Kv grazie alla sezione centrale del disco più sottile rispetto ad una valvola con un unico albero.</p> <p><i>Higher Kv thanks to the central section of the disk thinner than a valve with a single shaft.</i></p>
5	<p>Circonferenza della lente con finitura lappata</p> <p><i>Lapped surface of the disc's circumference</i></p>	<p>Miglior tenuta e minor usura della guarnizione.</p> <p><i>Better tightness and less wear of the liner.</i></p> <p>Si ha una coppia minore grazie al minor attrito tra disco e guarnizione.</p> <p><i>Lower torque due to less friction between the disc and liner.</i></p>
	<p>Vasta gamma di materiali</p> <p><i>Wide range of LINER materials</i></p>	<p>Possibilità di utilizzo su diverse applicazioni.</p> <p><i>Various applications possibility.</i></p>
	<p>Certificato ATEX</p> <p><i>ATEX Certificate</i></p>	<p>Ne consente l'installazione in presenza di ambiente potenzialmente esplosivo.</p> <p><i>Installation is allowed in a potential explosive environment.</i></p>
	<p>Certificato PED</p> <p><i>PED Certificate</i></p>	<p>Piena conformità alle norme di sicurezza europee per i dispositivi in pressione.</p> <p><i>Full compliance with European Safety Standards for Pressure Equipment.</i></p>



VALVOLA A FARFALLA IN GHISA OMAL

CAST IRON OMAL BUTTERFLY VALVE



CARATTERISTICHE GENERALI:

Le valvole a farfalla OMAL, disponibili nelle versioni wafer e lug nelle misure da DN 40 a DN 600 (lug DN 300), sono studiate e realizzate per far fronte alla maggioranza delle applicazioni in tutti i settori dell'industria

- Requisiti generali in accordo UNI EN593.
- Scartamenti normalizzati EN 558 serie 20.
- Tenuta secondo **EN 12266-1 rate A** con una pressione differenziale di 16 bar.
- Guarnizione integrale semirigida ottenuta mediante vulcanizzazione dello strato di elastomero su un anello rigido di supporto.
- Geometria della guarnizione ottimizzata per una perfetta aderenza al corpo valvola e tenuta sulle flange senza ulteriori elementi aggiuntivi. Il serraggio delle flange non influisce sulla coppia di azionamento né sul funzionamento della valvola stessa.
- Finitura della farfalla con bordi lappati che permette di ottimizzare la tenuta, di ridurre la coppia di manovra e di diminuire sensibilmente l'usura della guarnizione.
- Bussole guida sull'albero.
- Accoppiamento stelo-lente con doppio albero realizzato senza elementi di fissaggio (viti, bulloni, spine ecc..) onde eliminare punti a rischio di corrosione e rottura.
- Facilitati inoltre eventuali disassemblaggi per manutenzioni o pulizia.
- Accoppiamento con qualsiasi azionamento (pneumatico, elettrico, manuale, ecc..) facilitato dal collo valvola con piano normalizzato EN ISO 5211.
- Tutti i particolari sono adeguatamente trattati per garantire piena compatibilità con la maggior parte dei fluidi utilizzati nei processi industriali.

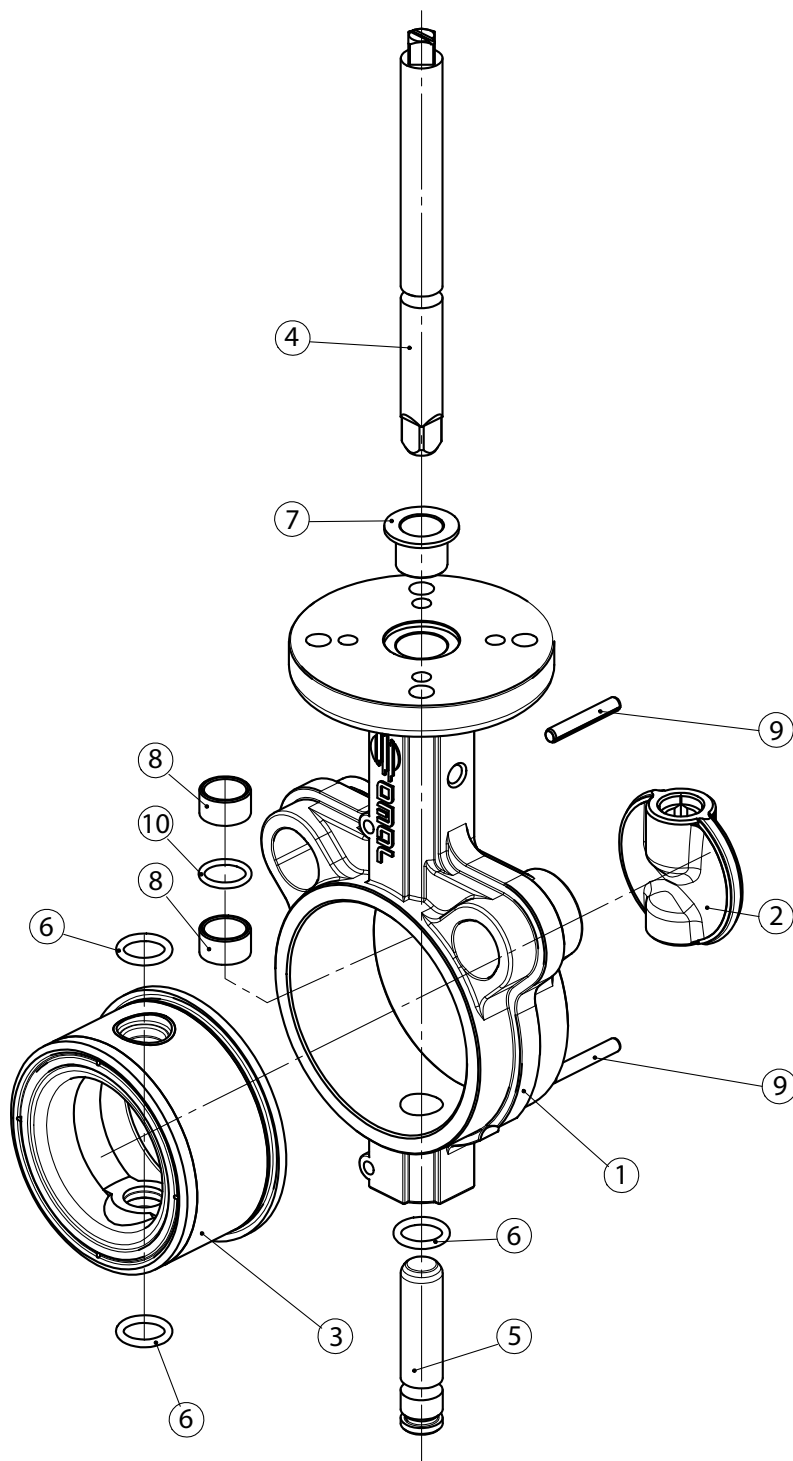
I dati e le caratteristiche di questo catalogo potrebbero essere variati a scopo di miglioramento tecnico anche senza preavviso e pertanto, non sono vincolanti ai fini della fornitura.

GENERAL FEATURES:

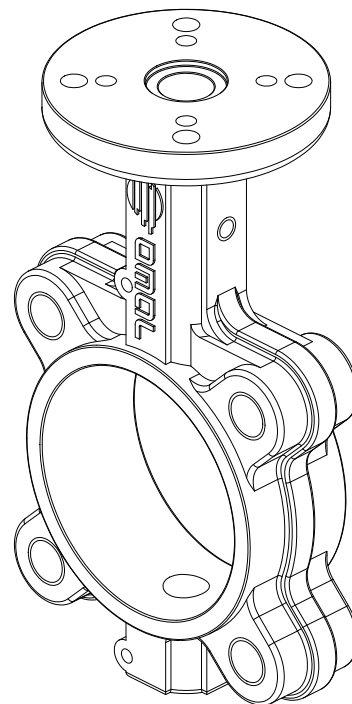
OMAL butterfly valves, available in wafer or lug version from DN 40 to DN 600 (lug DN 300), are designed and manufactured to be used in most applications in all industrial fields.

- General requirements in accordance with UNI EN593.
- Face to face as per EN 558 series 20.
- Tightness at 16 bar according to **EN 12266-1 rate A**.
- Integral sealing (with liner vulcanized on hard ring) which avoids any contact between fluid and valve body.
- Sealing design allowing perfect adherence to the valve body and perfect tightness to the flanges, without additional parts. Clamping between flanges does not influence the torque of the valve.
- Lapped disc edges that allows better tightness, reduced torque and low wear of the liner.
- Bushes to support the shaft.
- Coupling between stem and disc with two shafts (better Kv) carried out with no additional fittings (e.g. screws, bolts, pins, etc.) to avoid any risk of corrosion and breaking.
- Also facilitated any disassembly for maintenance or cleaning.
- Valve neck with top work as per EN ISO 5211 for easy connections with all different types of actuators.
- All components properly treated against corrosion.

OMAL will be free to change all specifications and data included in this catalogue at any time, so as to improve the quality and the performance of its products.



CORPO LUG LUG BODY



MATERIALI MATERIALS		
1	Corpo Body	A536 65-45-12 (GGG50) (Equivalente a <i>Equivalent to</i> EN-GJS-450-10 EN-JS 1040)
2	Lente Disc	A536 65-45-12 (GGG50) - A351 CF8M (316 S.S.)
3*	Guarnizione Liner	EPDM-NBR
4	Albero di comando Upper shaft	A276 S42000 (420 S.S.) (Equivalente a <i>Equivalent to</i> X20CR13; 1.4021)
5	Albero inferiore Lower shaft	A276 S42000 (420 S.S.) (Equivalente a <i>Equivalent to</i> X20CR13; 1.4021)
6*	O-ring inferiore Lower O-ring	EPDM-NBR (FKM solo se particolare a <i>with part. 3 in</i> FKM)
7*	Boccola superiore Upper bush	Resina epossidica <i>Epoxy resin</i>
8*	Boccole guida Shaft bush	Resina epossidica con PTFE per le misure da DN40 a DN300, Bronzo per le misure da DN350 a DN600 <i>Epoxy resin with PTFE from DN40 to DN300, Bronze from DN350 to DN600</i>
9*	Spine elastiche Elastic pin	Acciaio inox <i>Stainless steel</i>
10*	O-ring albero Shaft O-ring	EPDM-NBR

* Particolari del kit di ricambio KGF... *Components of spare part kit KGF...*

A richiesta sono disponibili altri materiali. Per questi e per altre esigenze consultare i nostri uffici.
If other valve materials are required, please contact our offices.



CARATTERISTICHE - MATERIALI - CAMPO D'IMPIEGO

TABELLA DEI MATERIALI			
CORPO	STELO	LENTE	GUARNIZIONE
DN40 - 600 GHISA A536 65-45-12* RIVESTITO VERN. EPOSSIDICA RAL 5015*	ACCIAIO INOX A276 S4200 * ACCIAIO INOX A564 TP 630	DN40 - 600 GHISA A536 65-45-12* RIVESTITO NICHEL CHIMICO ACCIAIO INOX A351-CF8M (316 S.S.)* ACCIAIO INOX A351-CF3M (316L S.S.) LUCIDATO BRONZO/ALLUMINIO B148C95400 *	DN40 - 600 EPDM* NBR* DN40 - 300 FKM* PTFE ON EPDM* NBR BIANCO NBR BIANCO PER ACQUA HNBR NBR CARBOX SILICONE

*Fornitura OMAL standard

GUIDA ALL'UTILIZZO DEI MATERIALI		
MATERIALE	CARATTERISTICHE	APPLICAZIONI
GHISA A536 65-45-12	Resistenza meccanica paragonabile a quella dell'acciaio. Temperatura di utilizzo: da -25°C a +250°C.	Impieghi generici Normalmente usata per corpo e farfalla
BRONZO - ALLUMINIO	Buona resistenza alla corrosione	Fluidi corrosivi, acqua di mare
ACCIAIO INOX A351-CF8M	Resistenza molto buona alla corrosione	Circuiti alimentari, chimici, farmaceutici ecc..
EPDM	Temperatura di utilizzo: da -25°C a +135°C. Sconsigliato per idrocarburi.	Acqua (addolcita, industriale, glicole, di mare), vapore acqueo, ozono, basi e acidi diluiti, solventi acetonicici, alcool, soda caustica, agenti atmosferici
NBR	Buone proprietà meccaniche (abrasione), buona tenuta agli olii minerali a certi idrocarburi e ai solventi alifatici Temperatura di utilizzo: -23°C a +82°C. Sconsigliato con acetone, con chetoni, nitrati e idrocarburi clorurati.	Servizi generali, aria compressa, acqua fredda, fluidi idraulici, metano, butano, petrolio, acqua di mare, circuiti abrasivi di trasporto pneumatico, grassi animali e vegetali.
NBR BIANCO	Buone proprietà meccaniche (abrasione), buona tenuta agli olii minerali a certi idrocarburi e ai solventi alifatici Temperatura di utilizzo: -23°C a +82°C. Sconsigliato con acetone, con chetoni, nitrati e idrocarburi clorurati.	Servizi generali, aria compressa, acqua fredda, fluidi idraulici, metano, butano, petrolio, acqua di mare e circuiti abrasivi di trasporto pneumatico.
NBR BIANCO PER ACQUA POTABILE	Specificamente formulato per impiego con acqua destinata al consumo umano in accordo ed in conformità al D.L. 174/2004. Temperatura di utilizzo: -23°C a +82°C. Sconsigliato con acetone, con chetoni, nitrati e idrocarburi clorurati.	Servizi generali, aria compressa, acqua fredda, fluidi idraulici, metano, butano, petrolio, acqua di mare e circuiti abrasivi di trasporto pneumatico.
NBR CARBOX	Buone proprietà meccaniche (abrasione), buona tenuta agli olii minerali a certi idrocarburi e ai solventi alifatici Temperatura di utilizzo: -10°C a +82°C. Sconsigliato con acetone, con chetoni, nitrati e idrocarburi clorurati. Eccellente resistenza all'abrasione.	Fluidi e polveri abrasive
HNBR	Eccellenti proprietà meccaniche (abrasione), buona tenuta agli olii minerali a certi idrocarburi e ai solventi alifatici Temperatura di utilizzo: -20°C a +120°C. Sconsigliato con acetone, con chetoni, nitrati e idrocarburi clorurati.	Servizi generali, aria compressa, acqua fredda, fluidi idraulici, metano, butano, petrolio, acqua di mare e circuiti abrasivi di trasporto pneumatico.
FKM	Resistenza molto buona a: calore, luce, agenti atmosferici, solventi bezoici. Impermeabile ai gas. Sconsigliato per vapore e acqua bollente Temperatura di utilizzo: -10°C a +190°C.	Solventi (meno gli acetonicici), idrocarburi solidi, carburanti ossigenanti, acidi, basi, fluidi idraulici, olii.
SILICONE PER ALTA TEMPERATURA	Resistenza molto buona per acqua surriscaldata e vapore (fino a 150°) Temperatura di utilizzo: -25°C a 160°C.	Aria o gas inerte caldo (fino a +180°C), industrie alimentari, acqua, vapore.
PTFE ON EPDM	Resistenza chimica molto buona a solventi e prodotti corrosivi. Sconsigliato per fluidi abrasivi, metalli alcalini (potassio, sodio), fluoro gassoso Temperatura di utilizzo: -25°C a +135°C).	Industrie alimentari e chimiche con prodotti molto corrosivi.

N.B. Nella tabella sopra sono riportate le caratteristiche peculiari, e le conseguenti applicazioni specifiche, di ogni materiale che OMAL Vi mette a disposizione. Ciononostante, in situazioni inusuali (come installazioni speciali, contatti con fluidi particolari, condizioni straordinarie di pressione e temperatura, ecc.), la variazione dei fattori che influenzano corrosione e abrasione, può alterare le prestazioni dei materiali. In ogni caso, Vi ricordiamo che spetta comunque al cliente la scelta finale del materiale e che il nostro ufficio commerciale sarà lieto di esaminare qualsiasi Vostra esigenza.



FEATURES - MATERIALS - APPLICATIONS FIELD

TABLE OF ALL AVAILABLE MATERIALS			
BODY	STEM	DISC	LINER
DN40 - 600 CAST IRON A536 65-45-12 * EPOXY COATED	STAINLESS STEEL A276 S4200 * STAINLESS STEEL A564 TP 630	DN40 - 600 CAST IRON A536 65-45-12* CHEMICAL NICKEL PLATING STAINLESS STEEL A351-CF8M (316 S.S.)* STAINLESS STEEL A351-CF3M (316L S.S.) POLISHED BRONZE/ALUMINIUM B148C95400 *	DN40 - 600 EPDM* NBR* DN40 - 300 FKM* PTFE ON EPDM* WHITE NBR POTABLE WATER WHITE NBR HNBR CARBOX NBR SILICONE

*Standard OMAL supply

MATERIAL APPLICATIONS		
MATERIAL	FEATURES	APPLICATIONS
CAST IRON A536 65-45-12	Mechanical strength as good as stainless steel Operating temperature (°C): -25°/+250.	General applications Used as a standard for body and disc
BRONZE - ALUMINIUM	Good corrosion resistance	Corrosive fluids, sea water
STAINLESS STEEL A351-CF8M	Excellent corrosion resistance	Food, chemical, pharmaceutical...etc
EPDM	Operating temperature (°C): -25°/+135. Unsuitable for hydrocarbons.	Water (soft, sea, glycolic and industrial), steam, ozone, bases and diluted acids, acetic solvents, alcohol, caustic soda, atmospheric agents.
NBR	Good abrasion/wear resistance. Good chemical and mechanical strength to mineral oils, some hydrocarbons and aliphatic solvents. Operating temperature (°C): -23 / + 82. Unsuitable for acetone, ketones, nitrates and chlorinated hydrocarbons.	General applications, compressed air, cold water, hydraulic fluids, methane, butane, petroleum, sea water, abrasive materials for pneumatic circuits, animal and vegetables fats.
WHITE NBR	Good abrasion/wear resistance. Good chemical and mechanical strength to mineral oils, some hydrocarbons and aliphatic solvents. Operating temperature (°C): -23 / + 82. Unsuitable for acetone, ketones, nitrates and chlorinated hydrocarbons.	General applications, compressed air, cold water, hydraulic fluids, methane, butane, petroleum, sea water and abrasive materials for pneumatic circuits.
POTABLE WATER WHITE NBR	Suitable for potable water accordingly to Italian law D.L. 174/2004. Operating temperature (°C): -23 / + 82. Unsuitable for acetone, ketones, nitrates and chlorinated hydrocarbons.	General applications, compressed air, cold drinking water, hydraulic fluids, methane, butane, petroleum, sea water and abrasive materials for pneumatic circuits.
CARBOX NBR	Good abrasion/wear resistance. Good chemical and mechanical strength to mineral oils, some hydrocarbons and aliphatic solvents. Operating temperature (°C): -10 / + 82. Unsuitable for acetone, ketones, nitrates and chlorinated hydrocarbons.	Abrasive dusts and fluids
HNBR	Good abrasion/wear resistance. Good chemical and mechanical strength to mineral oils, some hydrocarbons and aliphatic solvents. Operating temperature (°C): -20 / +120. Unsuitable for acetone, ketones, nitrates and chlorinated hydrocarbons.	General applications, compressed air, cold water, hydraulic fluids, methane, butane, petroleum, sea water and abrasive materials for pneumatic circuits.
FKM	Excellent chemical and mechanical strength to heat, atmospheric agents, benzoic solvents. Gas-proof. Unsuitable for steam and boiling water. Operating temperature (°C): -10 / +190.	Solvents (acetic excluded), solid hydrocarbons, oxygenating fuels, acids, bases, hydraulic fluids, oils.
HIGH TEMPERATURE SILICONE	Excellent chemical and mechanical strength to steam and superheated water (150°C). Operating temperature (°C): -25 / +160.	Air or hot inert gas (Temperature limits (°C): +180), food industry, water, steam.
PTFE ON EPDM	Excellent chemical strength to solvents and corrosive products. Unsuitable for abrasive fluids, alkaline metals (potassium, sodium), gaseous fluorine. Operating temperature (°C): -25 / +135.	Very corrosive products for chemical industry and food industry.

NOTE: The table above lists typical features and applications of all "Omalf" products. Nevertheless, if unusual situations occur (i.e. special applications, contacts with particular fluids, extraordinary pressure or temperature conditions, ...) the elements which determine corrosion and abrasion might change and, as a consequence, metal performances might change, too. It is always the customer who has to choose the right material; however, our sales department is willing to meet all customers requests.

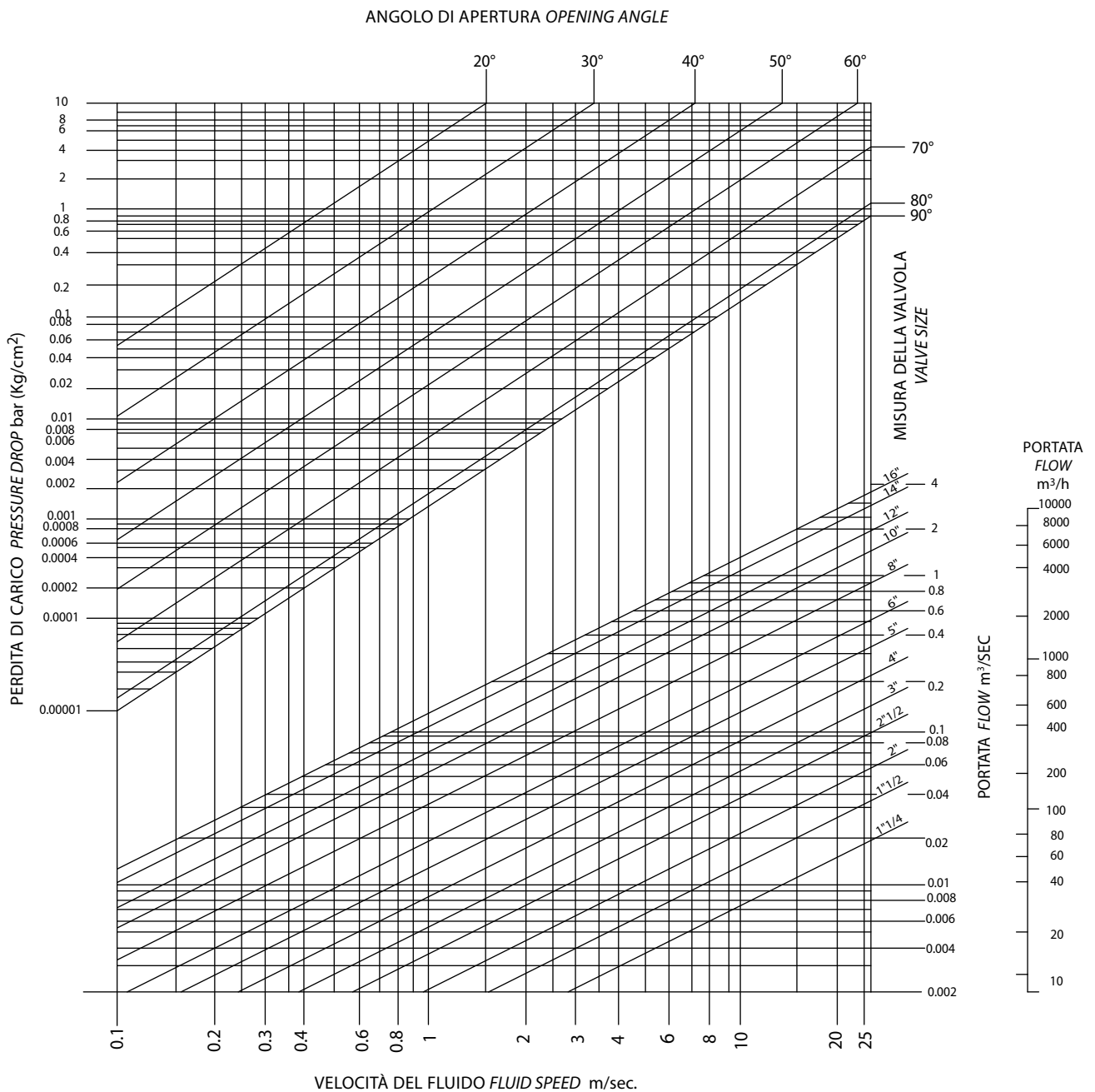
**DIAGRAMMA PERDITA DI CARICO-PORTATA PRESSURE LOSS-FLOW DIAGRAM**

Esempio: ricerca della perdita di carico e della velocità per una portata d'acqua pari a $0,1 \text{ m}^3/\text{sec}$. in una valvola di diametro 6" (DN 150) con un angolo di apertura di 90° .

- 1) Determinare il punto di incontro delle linee di portata e diametro della valvola.
- 2) Da questo punto, salire con la verticale fino ad incontrare la retta dei 90° e dal nuovo punto trovato tracciare una linea orizzontale fino alla scala della perdita di carico, trovando così il valore richiesto (0,038 bar).
- 3) Dal punto 1, scendendo in verticale sulla scala della velocità, possiamo leggere il valore della velocità del fluido (5 m/sec).

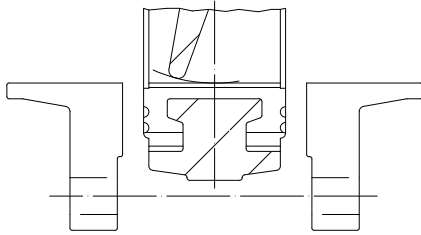
Example of flow-pressure and pressure drop in a 6" (DN. 150) valve with a water flow of $0,1 \text{ m}^3/\text{sec}$. and a rotation angle of 90° :

- 1) Determine the point where the valve flow and diameter lines meet
- 2) Draw a vertical line from the above-mentioned point to the 90° straight line; then draw a horizontal line from this point to the flow-pressure loss scale, where you'll read the requested value (0,038 bar).
- 3) Starting from point 1 and going down the fluid speed scale, you'll read the fluid speed values (5 m/sec).





ISTRUZIONI PER IL MONTAGGIO MOUNTING INSTRUCTIONS

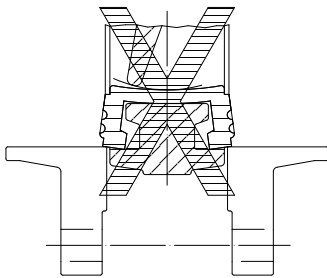
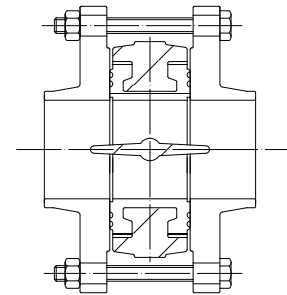


La distanza tra le flange deve permettere l'introduzione della valvola senza che la guarnizione interferisca con le stesse. Durante l'operazione la farfalla deve trovarsi in posizione semichiusa.

When the valve is being inserted, the flanges must be at such a distance from one another to make inspection possible without any contacts between flanges and sealing. Meanwhile, the butterfly must be kept in "half-closed" position.

Dopo il posizionamento della valvola tra le flange e prima del serraggio dei bulloni, la farfalla deve essere in posizione aperta. In caso contrario si rischia di danneggiare o deformare in maniera permanente la guarnizione durante la chiusura della valvola

After inserting the valve between the flanges, but before screwing the bolts up, the butterfly must be switched into the "open" position. Otherwise, you might damage or permanently deform the sealing, while closing the valve.



Esempio di montaggio non corretto: le flange non sono sufficientemente aperte, la guarnizione può deteriorarsi.

Example of wrong mounting: the flanges are not open enough and the sealing might be damaged.

La valvola a farfalla OMAL si monta tra le flange delle tubazioni senza ulteriori anelli di tenuta e viene centrata dai tiranti e dalle viti di fissaggio. I diametri delle flange devono essere conformi ai valori indicati.

D0 diametro minimo della flangia per consentire l'alloggiamento della valvola (nel caso di valvola perfettamente centrata)

D1 diametro massimo della flangia per un'utilizzazione ottimale

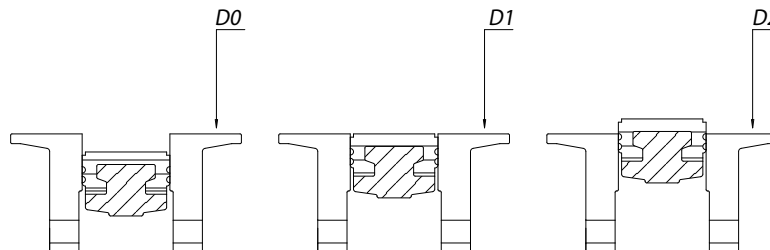
D2 diametro massimo possibile della flangia per un'utilizzazione in pressione ridotta. In questo caso e per ogni necessità contattare il nostro ufficio commerciale per eventuali chiarimenti.

OMAL butterfly valves are assembled between pipe flanges without other rings and they are centered by means of tie-rods and fixing screws. Their diameter must conform to the following values.

D0 minimum flange diameter necessary for the inspection of the valve (with a perfectly centered valve)

D1 maximum flange diameter which allows the best possible uses

D2 maximum flange diameter which allows uses at low pressure. If you need any other information, please contact our sales department.



		DIMENSIONI FLANGE FLANGE SIZE														
valvola valve		DN 40	DN 50	DN 65	DN 80	DN 100	DN 125	DN 150	DN 200	DN 250	DN 300	DN 350	DN 400	DN 450	DN 500	DN 600
diametro diameter	mm.	30	36	51	67	93	119	143	196	247	297	329	376	426	475	573
D0	mm.	45	57	69	82	107	133	154	206	257	310	338	390	441	492	596
D1	mm.	51	68	80	93	116	148	170	221	276	327	346	399	450	500	602
D2	mm.															



ITEM 375-376-377

VALVOLA A FARFALLA IN GHISA PER MONTAGGIO TRA FLANGE TIPO "WAFER"
CAST IRON BUTTERFLY VALVE FOR MOUNTING BETWEEN FLANGES, "WAFER" TYPE

ITEM 375

Corpo: Ghisa
Lente: Ghisa
Guarnizioni: vedere tabella

ITEM 376

Corpo: Ghisa
Lente: CF8M (316 S.S.)
Guarnizioni: vedere tabella

ITEM 377

Corpo: Ghisa
Lente: Bronzo Alluminio
Guarnizioni: vedere tabella



ITEM 375

Body: Cast iron
Butterfly: Cast iron
Liner: see table

ITEM 376

Body: Cast iron
Butterfly: CF8M (316 S.S.)
Liner: see table

ITEM 377

Body: Cast iron
Butterfly: Bronze aluminium
Liner: see table

ESECUZIONI STANDARD:

- Flangiatura standard: PN 10 - PN 16 - ANSI 150 dal DN 40 al DN 300; PN 10 dal DN 350 al DN 600.
- Requisiti generali in accordo a UNI EN593.
- Ingombri da faccia a faccia normalizzati EN 558 serie 20.
- Testa della valvola normalizzata ISO 5211 (DN40-DN300).
- Tenuta secondo EN 12266-1 rate A.
- Altre combinazioni a richiesta.
- Temperatura di utilizzo per le guarnizioni:
 - EPDM: da -25°C a +135°C ;
 - NBR: da -23°C a +82°C;
 - FKM: da -10°C a +190°C (DN40-DN300);
 - PTFE (su base EPDM): da -25°C a +135°C (DN40-DN300).
- Pressione di utilizzo tra flange: PN 16 bar per DN 40÷300; PN 10 bar per DN 350÷600.
- Spessore rivestimento epossidico: 160 ÷ 200 µ. RAL: 5015.

ESECUZIONI A RICHIESTA:

- Temperatura di utilizzo per guarnizioni speciali:
 - SILICONE: da -25°C a +160°C;
 - NBR CARBOX: da -10°C a +82°C;
 - NBR BIANCO per fluidi alimentari: da -23°C a +82°C;
 - HNBR: da -20°C a +120°C.
- Per altre applicazioni contattare il nostro ufficio commerciale.

CERTIFICAZIONI:

- Conforme alla direttiva Europea 2014/68/EU "PED".
- Omologazione DVGW per gas combustibile (V376).
- Omologazione RINA.
- Dichiarazione conformità al D.M.n°174 per l'idoneità al contatto con acqua potabile e fluidi alimentari (V376).
- Versione ATEX in conformità alla Direttiva Europea 2014/34/UE.
- Certificato ATEX a richiesta (Per le valvole con guarnizione in PTFE solo fino alla DN200).

STANDARD EXECUTIONS:

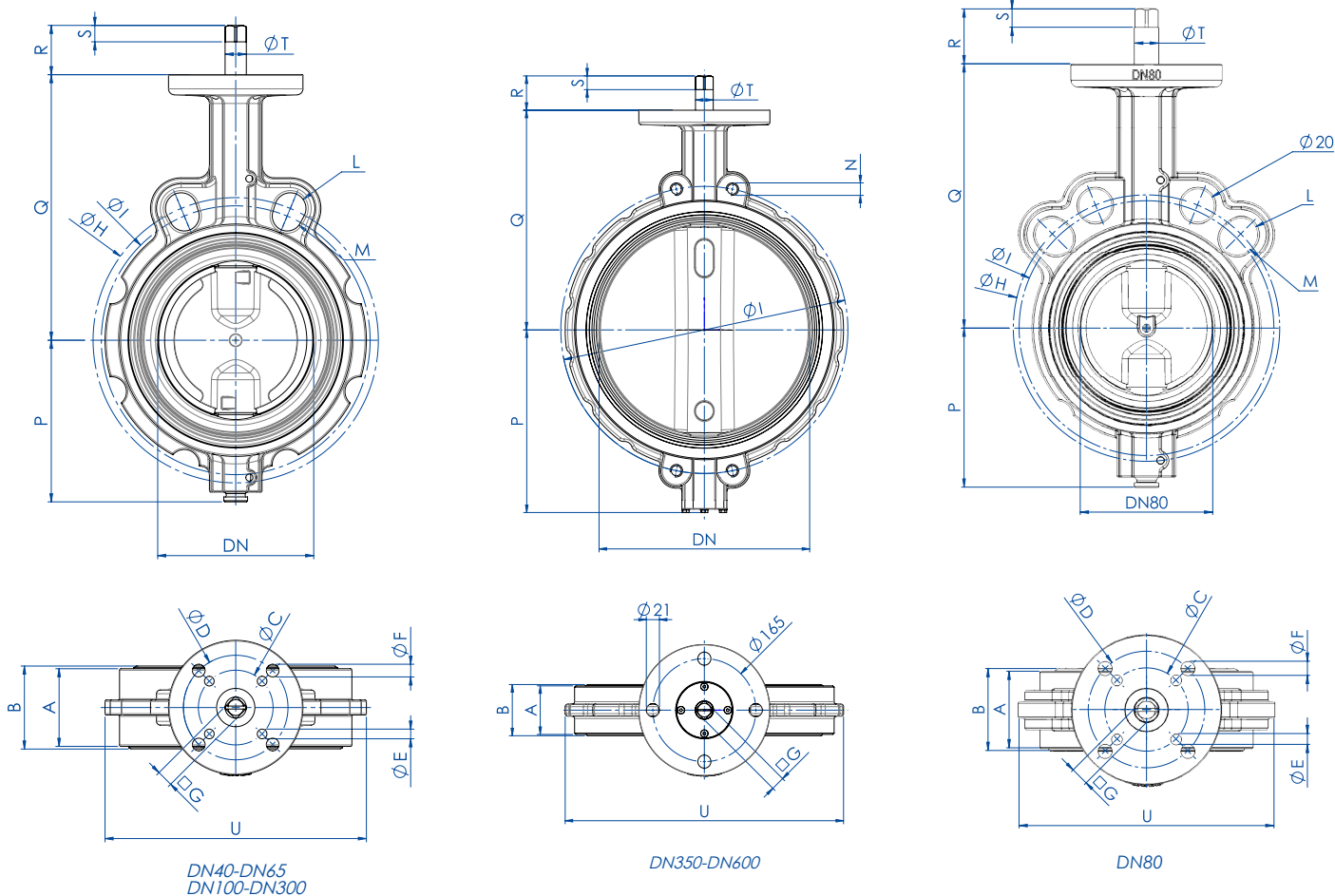
- Standard flanges: PN 10 - PN 16 - ANSI 150 from DN 40 to DN 300; PN 10 from DN 350 to DN 600.
- General requirements in accordance with UNI EN593.
- Face to face as per EN 558 serie 20.
- Valve head as per ISO 5211 (DN40-DN300).
- Tightness as per EN 12266-1 rate A.
- Other tests on request.
- Operating Temperature of liners:
 - EPDM: from -25°C to +135°C;
 - NBR: from -23°C to +82°C;
 - FKM: from -10°C to +190°C (DN40-DN300);
 - PTFE (on EPDM core): from -25°C to +135°C (DN40-DN300).
- Working pressure between flanges: PN 16 bar for DN 40 to DN 300; PN 10 bar for DN 350 to DN 600.
- Thickness of epoxy coating: 160 ÷ 200 µ. RAL: 5015.

ON REQUEST:

- Working temperature for special liners:
 - SILICONE: from -25°C to +160°C;
 - NBR CARBOX: from -10°C to +82°C;
 - NBR WHITE for food: from -23°C to +82°C;
 - HNBR: from -20°C to +120°C.
- For other applications, please contact our sales department.

CERTIFICATIONS:

- According to 2014/68/EU "PED".
- DVGW homologation for gas (V376).
- RINA homologation.
- Conformity to the Italian D.M.n°174 suitable with drinking water and alimentary fluid (V376).
- ATEX version in conformity with European Directive 2014/34/UE.
- ATEX certificate on request (For valves with PTFE liner only up to DN200).



A: Scartamento valvola *Face to face*

B: Guarnizioni non compresse *Liner not compressed*

MISURA SIZE		DIMENSIONI DIMENSIONS																				
DN [mm]	[inch]	A	B	ØC	ØD	ØE	ØF	□G	□G'	ØH	ØI	L	M	N	P	Q	R	R'	S	S'	ØT	U
DN 40	1"1/2	33	36	50	70	6,5	8,5	9		110	98,5	R10	R9		70	125	31		9		14,2	116
DN 50	2"	43	46	50	70	6,5	8,5	9		125	121	R10	R10,5		80	140	31		9		14,2	128
DN 65	2"1/2	46	49	50	70	6,5	8,5	11		145	140	R10	R10,5		86	152	33		11		14,2	143
DN 80	3"	46	49	50	70	6,5	8,5	11		160	153	R10	R10,5		95,5	159	33		11		14,2	153
DN 100	4"	52	56	50	70	6,5	8,5	11		191	180	R10,5	R10		108	178	33		11		14,2	175
DN 125	5"	56	59	70		8,5		14		216	210	R12,5	R10		124,5	190,5	36		14		19	197
DN 150	6"	56	59	70		8,5		14		242	240	R12,5	R12		137	203	36		14		19	222
DN 200	8"	60	64	70		8,5		17		299	295	R12,5	R12		166	238	39		17		22,2	279
DN 250	10"	68	72	102	125	11	13	22		362	350	R14	R13,5		199	268	55		22		28,5	340
DN 300	12"	78	81,5	102	125	11	13	22		432	400	R14	R13,5		234	306	55		22		28,5	410
DN 350	14"	78	82						22		460			M20	293	352		55		22	28,5	446
DN 400	16"	102	105						27		515			M24	325	388		60		27	36,5	508
DN 450	18"	114	118						27		565			M24	348	415		60		27	36,5	543
DN 500	20"	127	130,5						36		620			M24	386,5	441		70		36	48,5	600
DN 600	24"	154	158						36		725			M27	447,5	505		70		36	48,5	718

N.B. : G', R', S' QUOTE RIFERITE A VALVOLE ΔP max 10 bar DIMENSIONS REFERRED TO ΔP max 10 bar VALVES

Misura Size		COPPIE DI SPUNTO in Nm BREAKAWAY TORQUES Nm														
		DN 40	DN 50	DN 65	DN 80	DN 100	DN 125	DN 150	DN 200	DN 250	DN 300	DN 350	DN 400	DN 450	DN 500	DN 600
		1"1/2	2"	2"1/2	3"	4"	5"	6"	8"	10"	12"	14"	16"	18"	20"	24"
PN 10 bar									109	145	218	340	510	680	1020	1300
PN 16 bar		18	18	25	27	35	52	72	142	170	250					

I valori della coppia possono variare in funzione della temperatura e del tipo di fluido. Considerare un fattore di sicurezza pari a 1,4. Con frequenti cicli di apertura e chiusura la coppia di manovra può diminuire sensibilmente rispetto a quella iniziale. Gli accoppiamenti attuatore/valvola, riportati nelle pagine seguenti, sono realizzati per valvole che intercettano fluidi liquidi o gassosi, puliti e per medie temperature. Per maggiori informazioni, o utilizzi diversi, consultare il nostro ufficio commerciale.

Torque can vary depending on temperature and type of fluid; a safety factor of 1.4 must be applied. Torque can drop on high frequency of operations. The actuator/valve sizing, indicated on the following pages, are based for valves to be used with liquids or gaseous fluids, clean, and for medium temperatures. For further information, or different uses please contact our sales department.

BUTTERFLY VALVES



ITEM 375-376-377

CORPO IN GHISA CAST IRON BODY

ASSE LIBERO FREE SHAFT

ASSE LIBERO - LENTE IN GHISA FREE SHAFT - CAST IRON BUTTERFLY

MISURA SIZE		TENUTA LINER		
DN [mm]	[inch]	EPDM	NBR	NBR CARBOX
DN 40	1"1/2	V375XE68	V375XN68	V375XC68
DN 50	2"	V375XE69	V375XN69	V375XC69
DN 65	2"1/2	V375XE70	V375XN70	V375XC70
DN 80	3"	V375XE71	V375XN71	V375XC71
DN 100	4"	V375XE72	V375XN72	V375XC72
DN 125	5"	V375XE73	V375XN73	V375XC73
DN 150	6"	V375XE74	V375XN74	V375XC74
DN 200	8"	V375XE75	V375XN75	V375XC75
DN 250	10"	V375XE76	V375XN76	V375XC76
DN 300	12"	V375XE77	V375XN77	V375XC77
DN 350	14"	V375KE78	A richiesta On request	-
DN 400	16"	V375KE79	A richiesta On request	-
DN 450	18"	V375KE80	A richiesta On request	-
DN 500	20"	V375KE81	A richiesta On request	-
DN 600	24"	V375KE82	A richiesta On request	-

ASSE LIBERO - LENTE IN CF8M FREE SHAFT - CF8M BUTTERFLY

MISURA SIZE		TENUTA LINER						
DN [mm]	[inch]	EPDM	NBR	FKM	PTFE a richiesta on request	DVGW	NBR BIANCO WHITE NBR	NBR PER ACQUA NBR WATER
DN 40	1"1/2	V376XE68	V376XN68	V376XV68	V376XT68	V376XN68GA	V376XB68	V376XW68NF
DN 50	2"	V376XE69	V376XN69	V376XV69	V376XT69	V376XN69GA	V376XB69	V376XW69NF
DN 65	2"1/2	V376XE70	V376XN70	V376XV70	V376XT70	V376XN70GA	V376XB70	V376XW70NF
DN 80	3"	V376XE71	V376XN71	V376XV71	V376XT71	V376XN71GA	V376XB71	V376XW71NF
DN 100	4"	V376XE72	V376XN72	V376XV72	V376XT72	V376XN72GA	V376XB72	V376XW72NF
DN 125	5"	V376XE73	V376XN73	V376XV73	V376XT73	V376XN73GA	V376XB73	V376XW73NF
DN 150	6"	V376XE74	V376XN74	V376XV74	V376XT74	V376XN74GA	V376XB74	V376XW74NF
DN 200	8"	V376XE75	V376XN75	V376XV75	V376XT75	V376XN75GA	V376XB75	V376XW75NF
DN 250	10"	V376XE76	V376XN76	V376XV76	V376XT76	V376XN76GA	V376XB76	V376XW76NF
DN 300	12"	V376XE77	V376XN77	V376XV77	V376XT77	V376XN77GA	V376XB77	V376XW77NF
DN 350	14"	V376KE78	A richiesta On request	-	-	-	-	-
DN 400	16"	V376KE79	A richiesta On request	-	-	-	-	-
DN 450	18"	V376KE80	A richiesta On request	-	-	-	-	-
DN 500	20"	V376KE81	A richiesta On request	-	-	-	-	-
DN 600	24"	V376KE82	A richiesta On request	-	-	-	-	-

ASSE LIBERO - LENTE IN BRONZO ALLUMINIO FREE SHAFT - BRONZE ALUMINIUM BUTTERFLY

MISURA SIZE		TENUTA LINER	
DN [mm]	[inch]	EPDM	NBR
DN 40	1"1/2	V377XE68	V377XN68
DN 50	2"	V377XE69	V377XN69
DN 65	2"1/2	V377XE70	V377XN70
DN 80	3"	V377XE71	V377XN71
DN 100	4"	V377XE72	V377XN72
DN 125	5"	V377XE73	V377XN73
DN 150	6"	V377XE74	V377XN74
DN 200	8"	V377XE75	V377XN75
DN 250	10"	V377XE76	V377XN76
DN 300	12"	V377XE77	V377XN77
DN 350	14"	A richiesta On request	A richiesta On request
DN 400	16"	A richiesta On request	A richiesta On request
DN 450	18"	A richiesta On request	A richiesta On request
DN 500	20"	A richiesta On request	A richiesta On request
DN 600	24"	A richiesta On request	A richiesta On request

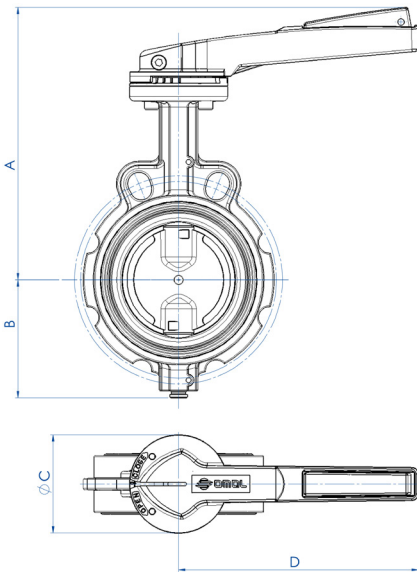
ATEX: Per la versione ATEX aggiungere "YX" alla fine del codice.

ATEX: Please add "YX" at the end of the code for the ATEX version.



ITEM 375-376-377

CORPO IN GHISA CAST IRON BODY CON LEVA WITH LEVER



MISURA SIZE		DIMENSIONI DIMENSIONS				
DN [mm]	[inch]	A	B	øC	D	Kg
DN 40	1"1/2	188	70	90	160	2,2
DN 50	2"	203	80	90	160	3,0
DN 65	2"1/2	225	86	90	220	3,8
DN 80	3"	230	95,5	90	220	4,0
DN 100	4"	250	108	90	220	5,1
DN 125	5"	277	124,5	90	350	7,8
DN 150	6"	290	137	90	350	9,2
DN 200	8"	325	166	90	350	13,3

CARATTERISTICHE DELLA LEVA

Leva con regolazione dentellata a 10 posizioni:
Materiale: alluminio;
Trattamento esterno: verniciata (poliestere);
Peso: da 0,3 a 0,9 Kg.
Lucchettabile in ogni posizione.

LEVER FEATURES

10-position lever; lockable in each position
Material: Aluminium;
Surface coating: polyester
Weight: from 0,3 to 0,9 Kg.

CON LEVA - LENTE IN GHISA WITH LEVER - CAST IRON DISC

MISURA SIZE	TENUTA LINER			LEVA LEVER
	EPDM	NBR	NBR CARBOX	
DN 40 1"1/2	L375XE68	L375XN68	L375XC68	KLW37569
DN 50 2"	L375XE69	L375XN69	L375XC69	KLW37569
DN 65 2"1/2	L375XE70	L375XN70	L375XC70	KLW37570
DN 80 3"	L375XE71	L375XN71	L375XC71	KLW37570
DN 100 4"	L375XE72	L375XN72	L375XC72	KLW37570
DN 125 5"	L375XE73	L375XN73	L375XC73	KLW37573
DN 150 6"	L375XE74	L375XN74	L375XC74	KLW37573
DN 200 8"	L375XE75	L375XN75	L375XC75	KLW37575

CON LEVA - LENTE IN CF8M WITH LEVER - CF8M DISC

MISURA SIZE	TENUTA LINER								LEVA LEVER
	EPDM	NBR	FKM	PTFE <small>a richiesta on request</small>	DVGW	NBR BIANCO <small>WHITE NBR</small>	NBR PER ACQUA <small>NBR WATER</small>		
DN 40 1"1/2	L376XE68	L376XN68	L376XV68	L376XT68	L376XN68GA	L376XB68	L376XW68NF	KLW37569*	
DN 50 2"	L376XE69	L376XN69	L376XV69	L376XT69	L376XN69GA	L376XB69	L376XW69NF	KLW37569*	
DN 65 2"1/2	L376XE70	L376XN70	L376XV70	L376XT70	L376XN70GA	L376XB70	L376XW70NF	KLW37570*	
DN 80 3"	L376XE71	L376XN71	L376XV71	L376XT71	L376XN71GA	L376XB71	L376XW71NF	KLW37570*	
DN 100 4"	L376XE72	L376XN72	L376XV72	L376XT72	L376XN72GA	L376XB72	L376XW72NF	KLW37570*	
DN 125 5"	L376XE73	L376XN73	L376XV73	L376XT73	L376XN73GA	L376XB73	L376XW73NF	KLW37573*	
DN 150 6"	L376XE74	L376XN74	L376XV74	L376XT74	L376XN74GA	L376XB74	L376XW74NF	KLW37573*	
DN 200 8"	L376XE75	L376XN75	L376XV75	L376XT75	L376XN75GA	L376XB75	L376XW75NF	KLW37575*	

*Per la versione DVGW aggiungere "GI" alla fine del codice

*Please add "GI" at the end of the code for the DVGW version

CON LEVA - LENTE IN BRONZO ALLUMINIO WITH LEVER - BRONZE ALUMINIUM DISC

MISURA SIZE	TENUTA LINER		LEVA LEVER
	EPDM	NBR	
DN 40 1"1/2	L377XE68	L377XN68	KLW37569
DN 50 2"	L377XE69	L377XN69	KLW37569
DN 65 2"1/2	L377XE70	L377XN70	KLW37570
DN 80 3"	L377XE71	L377XN71	KLW37570
DN 100 4"	L377XE72	L377XN72	KLW37570
DN 125 5"	L377XE73	L377XN73	KLW37573
DN 150 6"	L377XE74	L377XN74	KLW37573
DN 200 8"	L377XE75	L377XN75	KLW37575

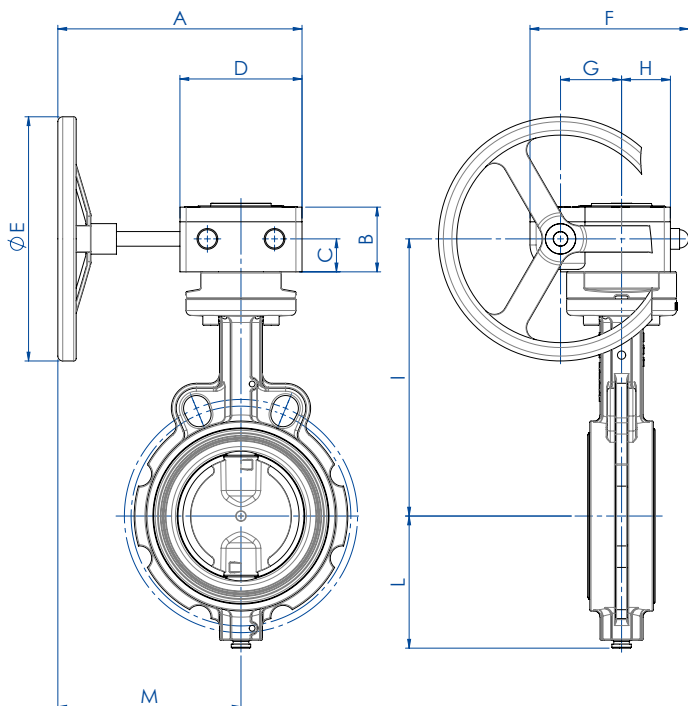
ATEX: Per la versione ATEX aggiungere "YX" alla fine del codice.

ATEX: Please add "YX" at the end of the code for the ATEX version.



ITEM 375-376-377

CORPO IN GHISA CAST IRON BODY CON RIDUTTORE WITH GEAR BOX



CARATTERISTICHE DEL RIDUTTORE

Meccanismo di concezione sperimentata, funzionante tramite pignone dentato e vite senza fine.
 Un indicatore visivo dà la posizione della valvola.
 Carter in lega di alluminio per i riduttori "RF0" (IP65), in ghisa per i riduttori "RRM..." (IP67).
 Pignone dentato in ghisa.
 Vite senza fine in acciaio trattato.
 Volantino in acciaio.
 Esterno trattato con vernice epossidica.

GEAR BOX FEATURES

*Designed tested mechanism, working through pinion and worm.
 Visual indicator gives the position of the valve
 Aluminium alloy carter for the gear box "RF0" type (IP65), cast iron for the gear box "RRM..." Type (IP67).
 Cast iron pinion.
 Worm gear in hardened steel.
 Steel wheel.
 Epoxy painted external surface.*

DIMENSIONI DIMENSIONS

MISURA SIZE		A	B	C	D	øE	F	G	H	I	L	M	Kg
DN [mm]	[inch]												
DN 40	1"1/2	200	49	24	80	140	115	42	35	171,2	70	160	3,3
DN 50	2"	200	49	24	80	140	115	42	35	185,9	80	160	4,1
DN 65	2"1/2	200	54	27	100	200	130	50	40	201,6	86	150	5,7
DN 80	3"	200	54	27	100	200	130	50	40	208	95,5	150	6
DN 100	4"	200	54	27	100	200	130	50	40	227	108	150	7
DN 125	5"	200	54	27	100	200	130	50	40	239,7	124,5	150	9,4
DN 150	6"	200	54	27	100	200	130	50	40	252,4	137	150	10,7
DN 200	8"	250	70,5	40,5	140	300	175	60	60	300,7	166	180	17,4
DN 250	10"	250	70,5	40,5	140	300	175	60	60	342	199	180	28
DN 300	12"	250	70,5	40,5	140	300	175	60	60	380	234	180	37,5
DN 350	14"	250	70,5	40,5	140	300	175	60	60	425,5	293	180	56
DN 400	16"	421	102	48	220	300	258	105	75	461	325	301	95
DN 450	18"	421	102	48	220	300	258	105	75	488	348	301	112
DN 500	20"	456	102	48	220	500	258	105	75	514	386,5	346	141
DN 600	24"	456	102	48	220	600	258	105	75	578	447,5	346	205



ITEM 375-376-377

CORPO IN GHISA CAST IRON BODY CON RIDUTTORE WITH GEAR BOX

CON RIDUTTORE - LENTE IN GHISA WITH GEAR BOX - CAST IRON BUTTERFLY						
MISURA	SIZE	TENUTA LINER			RIDUTTORE	KIT VALVOLA-RIDUTTORE
DN [mm]	[inch]	EPDM	NBR	NBR CARBOX	GEAR-BOX	KIT VALVE-GEAR BOX
DN 40	1"1/2	R375XE68	R375XN68	R375XC68	RF01070900	KCF052898
DN 50	2"	R375XE69	R375XN69	R375XC69	RF01070900	KCF052898
DN 65	2"1/2	R375XE70	R375XN70	R375XC70	RF02071400	KCF074035
DN 80	3"	R375XE71	R375XN71	R375XC71	RF02071400	KCF074035
DN 100	4"	R375XE72	R375XN72	R375XC72	RF02071400	KCF074035
DN 125	5"	R375XE73	R375XN73	R375XC73	RF02071400	KCF052898
DN 150	6"	R375XE74	R375XN74	R375XC74	RF02071400	KCF052898
DN 200	8"	R375XE75	R375XN75	R375XC75	RF04122200	KCF124037
DN 250	10"	R375XE76	R375XN76	R375XC76	RF04122200	KCF124038
DN 300	12"	R375XE77	R375XN77	R375XC77	RF04122200	KCF124038
DN 350	14"	R375XE78	A richiesta On request	---	RF04122200	KCF123213
DN 400	16"	R375XE79	A richiesta On request	---	RRM011G00Q36161004	KCF145715
DN 450	18"	R375XE80	A richiesta On request	---	RRM011G00Q36161004	KCF145715
DN 500	20"	R375XE81	A richiesta On request	---	RRM011G00Q36351004	KCF143215
DN 600	24"	R375XE82	A richiesta On request	---	RRM011G00Q36381004	KCF143215

CON RIDUTTORE - LENTE IN CF8M WITH GEAR BOX - CF8M BUTTERFLY										
MISURA	SIZE	TENUTA LINER							RIDUTTORE	KIT VALVOLA-RIDUTTORE
DN [mm]	[inch]	EPDM	NBR	FKM	PTFE a richiesta on request	DVGW	NBR BIANCO WHITE NBR	NBR PER ACQUA NBR WATER	GEAR-BOX	KIT VALVE-GEAR BOX
DN 40	1"1/2	R376XE68	R376XN68	R376XV68	R376XT68	R376XN68GA	R376XB68	R376XW68NF	RF01070900	KCF052898
DN 50	2"	R376XE69	R376XN69	R376XV69	R376XT69	R376XN69GA	R376XB69	R376XW69NF	RF01070900	KCF052898
DN 65	2"1/2	R376XE70	R376XN70	R376XV70	R376XT70	R376XN70GA	R376XB70	R376XW70NF	RF02071400	KCF074035
DN 80	3"	R376XE71	R376XN71	R376XV71	R376XT71	R376XN71GA	R376XB71	R376XW71NF	RF02071400	KCF074035
DN 100	4"	R376XE72	R376XN72	R376XV72	R376XT72	R376XN72GA	R376XB72	R376XW72NF	RF02071400	KCF074035
DN 125	5"	R376XE73	R376XN73	R376XV73	R376XT73	R376XN73GA	R376XB73	R376XW73NF	RF02071400	KCF052898
DN 150	6"	R376XE74	R376XN74	R376XV74	R376XT74	R376XN74GA	R376XB74	R376XW74NF	RF02071400	KCF052898
DN 200	8"	R376XE75	R376XN75	R376XV75	R376XT75	R376XN75GA	R376XB75	R376XW75NF	RF04122200	KCF124037
DN 250	10"	R376XE76	R376XN76	R376XV76	R376XT76	R376XN76GA	R376XB76	R376XW76NF	RF04122200	KCF124038
DN 300	12"	R376XE77	R376XN77	R376XV77	R376XT77	R376XN77GA	R376XB77	R376XW77NF	RF04122200	KCF124038
DN 350	14"	R376XE78	On request	-	-	-	-	-	RF04122200	KCF123213
DN 400	16"	R376XE79	On request	-	-	-	-	-	RRM011G00Q36161004	KCF145715
DN 450	18"	R376XE80	On request	-	-	-	-	-	RRM011G00Q36161004	KCF145715
DN 500	20"	R376XE81	On request	-	-	-	-	-	RRM011G00Q36351004	KCF143215
DN 600	24"	R376XE82	On request	-	-	-	-	-	RRM011G00Q36381004	KCF143215

CON RIDUTTORE - LENTE IN BRONZO ALLUMINIO WITH GEAR BOX - BRONZE ALUMINIUM BUTTERFLY					
MISURA	SIZE	TENUTA LINER		RIDUTTORE	KIT VALVOLA-RIDUTTORE
DN [mm]	[inch]	EPDM	NBR	GEAR-BOX	KIT VALVE-GEAR BOX
DN 40	1"1/2	R377XE68	R377XN68	RF01070900	KCF052898
DN 50	2"	R377XE69	R377XN69	RF01070900	KCF052898
DN 65	2"1/2	R377XE70	R377XN70	RF02071400	KCF074035
DN 80	3"	R377XE71	R377XN71	RF02071400	KCF074035
DN 100	4"	R377XE72	R377XN72	RF02071400	KCF074035
DN 125	5"	R377XE73	R377XN73	RF02071400	KCF052898
DN 150	6"	R377XE74	R377XN74	RF02071400	KCF052898
DN 200	8"	R377XE75	R377XN75	RF04122200	KCF124037
DN 250	10"	R377XE76	R377XN76	RF04122200	KCF124038
DN 300	12"	R377XE77	R377XN77	RF04122200	KCF124038
DN 350	14"	A richiesta On request	A richiesta On request	RF04122200	KCF123213
DN 400	16"	A richiesta On request	A richiesta On request	RRM011G00Q36161004	KCF145715
DN 450	18"	A richiesta On request	A richiesta On request	RRM011G00Q36161004	KCF145715
DN 500	20"	A richiesta On request	A richiesta On request	RRM011G00Q36351004	KCF143215
DN 600	24"	A richiesta On request	A richiesta On request	RRM011G00Q36381004	KCF143215

**ITEM 375****CORPO IN GHISA CAST IRON BODY****CON ATTUATORE PNEUMATICO WITH PNEUMATIC ACTUATOR**
CON ATTUATORE PNEUMATICO DOPPIO EFFETTO - LENTE IN GHISA
WITH DOUBLE ACTING PNEUMATIC ACTUATOR - CAST IRON DISC

MISURA DN [mm]	SIZE [inch]	ΔP max [bar]	TENUTA LINER			ATTUATORE ACTUATOR	L [mm]	H [mm]	Kg
			EPDM	NBR	NBR CARBOX				
DN 40	1"1/2	16	DG375XE68	DG375XN68	DG375XC68	DAN0030411S	174,2	226,4	3,2
DN 50	2"	16	DG375XE69	DG375XN69	DG375XC69	DAN0030411S	174,2	241,4	4
DN 65	2"1/2	16	DG375XE70	DG375XN70	DG375XC70	DAN0045412S	188,5	258,7	5
DN 80	3"	16	DG375XE71	DG375XN71	DG375XC71	DAN0045412S	188,5	265,7	5,2
DN 100	4"	16	DG375XE72	DG375XN72	DG375XC72	DAN0060412S	198	290,4	6,7
DN 125	5"	16	DG375XE73	DG375XN73	DG375XC73	DAN0106411S	237	316	10,3
DN 150	6"	16	DG375XE74	DG375XN74	DG375XC74	DAN0120411S	244,1	332,2	11,8
DN 200	8"	16	DG375XE75	DG375XN75	DG375XC75	DAN0240411S	313,6	401,3	18,7
DN 250	10"	16	DG375XE76	DG375XN76	DG375XC76	DAN0360411S	339,3	449,2	31,6
DN 300	12"	16	DG375XE77	DG375XN77	DG375XC77	DAN0480411S	387,6	504,1	44,1
DN 200	8"	10	DG375KE75	DG375KN75	-	DAN0180411S	289,9	397,7	17,9
DN 250	10"	10	DG375KE76	DG375KN76	-	DAN0240411S	313,6	442,3	30,5
DN 300	12"	10	DG375KE77	DG375KN77	-	DAN0360411S	339,3	487,2	41
DN 350	14"	10	DG375KE78	A richiesta On request	-	DAN0480411S	387,6	549,9	64
DN 400	16"	10	DG375KE79	A richiesta On request	-	DAN0720411S	433,1	599	91,4
DN 450	18"	10	DG375KE80	A richiesta On request	-	DAN0960411S	479,3	646	111,8
DN 500	20"	10	DG375KE81	A richiesta On request	-	DAN1440411S	567,1	690	145,8
DN 600	24"	10	DG375KE82	A richiesta On request	-	DAN1920411S	601	775,7	216,4

CON ATTUATORE PNEUMATICO SEMPLICE EFFETTO - LENTE IN GHISA
WITH SPRING RETURN PNEUMATIC ACTUATOR - CAST IRON DISC

MISURA DN [mm]	SIZE [inch]	ΔP max [bar]	TENUTA LINER			ATTUATORE ACTUATOR	L [mm]	H [mm]	Kg
			EPDM	NBR	NBR CARBOX				
DN 40	1"1/2	16	SG375XE68	SG375XN68	SG375XC68	SRN0030402S	258,8	237,6	4,2
DN 50	2"	16	SG375XE69	SG375XN69	SG375XC69	SRN0030402S	258,8	252,6	5
DN 65	2"1/2	16	SG375XE70	SG375XN70	SG375XC70	SRN0053401S	304,2	277,5	6,8
DN 80	3"	16	SG375XE71	SG375XN71	SG375XC71	SRN0053401S	304,2	284,5	7
DN 100	4"	16	SG375XE72	SG375XN72	SG375XC72	SRN0060401S	338,5	307,2	8,45
DN 125	5"	16	SG375XE73	SG375XN73	SG375XC73	SRN0090401S	393,7	350,2	13,7
DN 150	6"	16	SG375XE74	SG375XN74	SG375XC74	SRN0120401S	409,6	366,3	16
DN 200	8"	16	SG375XE75	SG375XN75	SG375XC75	SRN0240401S	520,4	425,2	25,1
DN 250	10"	16	SG375XE76	SG375XN76	SG375XC76	SRN0360401S	613	479,2	41,6
DN 300	12"	16	SG375XE77	SG375XN77	SG375XC77	SRN0480401S	648,2	537,2	57,2
DN 200	8"	10	SG375KE75	SG375KN75	-	SRN0180401S	474	408,2	22,2
DN 250	10"	10	SG375KE76	SG375KN76	-	SRN0240401S	520,5	466,2	36,9
DN 300	12"	10	SG375KE77	SG375KN77	-	SRN0360401S	613	517,2	51
DN 350	14"	10	SG375KE78	A richiesta On request	-	SRN0480401S	648,2	583	77,1
DN 400	16"	10	SG375KE79	A richiesta On request	-	SRN0720401S	798	637	112,4
DN 450	18"	10	SG375KE80	A richiesta On request	-	SRN0960401S	828	685,7	136,4
DN 500	20"	10	S375KE81	A richiesta On request	-	SR1920E1608A	1001	788,5	189,4
DN 600	24"	10	S375KE82	A richiesta On request	-	SR1920E1608A	1001	852,5	251,4

Dimensionamento degli attuatori pneumatici fatto considerando una pressione minima di alimentazione pari a 5,6 barg. *Sizing of pneumatic actuators by minimum pressure rate 5,6 barg.***ATEX:** Per la versione ATEX aggiungere "YX" alla fine del codice. **ATEX:** Please add "YX" at the end of the code for the ATEX version.



ITEM 376

CORPO IN GHISA CAST IRON BODY

CON ATTUATORE PNEUMATICO WITH PNEUMATIC ACTUATOR



CON ATTUATORE PNEUMATICO DOPPIO EFFETTO - LENTE IN CF8M WITH DOUBLE ACTING PNEUMATIC ACTUATOR - CF8M DISC

MISURA DN [mm]	SIZE [inch]	ΔP max [bar]	TENUTA LINER				ATTUATORE ACTUATOR	TENUTA LINER			ATTUATORE ACTUATOR	L [mm]	H [mm]	Kg
			EPDM	NBR	FKM	DVGW		PTFE On request	NBR BIANCO WHITE NBR	NBR ACQUA NBR WATER				
DN 40	1"1/2	16	DG376XE68	DG376XN68	DG376XV68	DG376XN68GA	DAN0030411S	DG376XT68	DG376XB68	DG376XW68NF	DAN0030421S	174	226	3,2
DN 50	2"	16	DG376XE69	DG376XN69	DG376XV69	DG376XN69GA	DAN0030411S	DG376XT69	DG376XB69	DG376XW69NF	DAN0030421S	174	241	4
DN 65	2"1/2	16	DG376XE70	DG376XN70	DG376XV70	DG376XN70GA	DAN0045412S	DG376XT70	DG376XB70	DG376XW70NF	DAN0045422S	189	259	5
DN 80	3"	16	DG376XE71	DG376XN71	DG376XV71	DG376XN71GA	DAN0045412S	DG376XT71	DG376XB71	DG376XW71NF	DAN0045422S	189	266	5,2
DN 100	4"	16	DG376XE72	DG376XN72	DG376XV72	DG376XN72GA	DAN0060412S	DG376XT72	DG376XB72	DG376XW72NF	DAN0060422S	198	290	6,7
DN 125	5"	16	DG376XE73	DG376XN73	DG376XV73	DG376XN73GA	DAN0106411S	DG376XT73	DG376XB73	DG376XW73NF	DAN0106411S	237	316	10,3
DN 150	6"	16	DG376XE74	DG376XN74	DG376XV74	DG376XN74GA	DAN0120411S	DG376XT74	DG376XB74	DG376XW74NF	DAN0120411S	244	332	11,8
DN 200	8"	16	DG376XE75	DG376XN75	DG376XV75	DG376XN75GA	DAN0240411S	DG376XT75	DG376XB75	DG376XW75NF	DAN0240411S	314	401	18,7
DN 250	10"	16	DG376XE76	DG376XN76	DG376XV76	DG376XN76GA	DAN0360411S	DG376XT76	DG376XB76	DG376XW76NF	DAN0360411S	339	449	31,6
DN 300	12"	16	DG376XE77	DG376XN77	DG376XV77	DG376XN77GA	DAN0480411S	DG376XT77	DG376XB77	DG376XW77NF	DAN0480411S	388	504	44,1
DN 200	8"	10	DG376KE75	DG376KN75	DG376KV75	-	DAN0180411S	-	-	-	DAN0180411S	290	398	17,9
DN 250	10"	10	DG376KE76	DG376KN76	DG376KV76	-	DAN0240411S	-	-	-	DAN0240411S	314	442	30,5
DN 300	12"	10	DG376KE77	DG376KN77	DG376KV77	-	DAN0360411S	-	-	-	DAN0360411S	339	487	41
DN 350	14"	10	DG376KE78	On request	-	-	DAN0480411S	-	-	-	DAN0480411S	388	550	64
DN 400	16"	10	DG376KE79	On request	-	-	DAN0720411S	-	-	-	DAN0720411S	433	599	91,4
DN 450	18"	10	DG376KE80	On request	-	-	DAN0960411S	-	-	-	DAN0960411S	479	646	111,8
DN 500	20"	10	DG376KE81	On request	-	-	DAN1440411S	-	-	-	DAN1440411S	567	690	145,8
DN 600	24"	10	DG376KE82	On request	-	-	DAN1920411S	-	-	-	DAN1920411S	601	776	216,4

CON ATTUATORE PNEUMATICO SEMPLICE EFFETTO - LENTE IN CF8M WITH SPRING RETURN PNEUMATIC ACTUATOR - CF8M DISC

MISURA DN [mm]	SIZE [inch]	ΔP max [bar]	TENUTA LINER					ATTUATORE ACTUATOR	L [mm]	H [mm]	Kg		
			EPDM	NBR	FKM	PTFE On request	DVGW					NBR BIANCO WHITE NBR	NBR ACQUA NBR WATER
DN 40	1"1/2	16	SG376XE68	SG376XN68	SG376XV68	SG376XT68	SG376XN68GA	SG376XB68	SG376XW68NF	SRN0030402S	259	238	4,2
DN 50	2"	16	SG376XE69	SG376XN69	SG376XV69	SG376XT69	SG376XN69GA	SG376XB69	SG376XW69NF	SRN0030402S	259	253	5
DN 65	2"1/2	16	SG376XE70	SG376XN70	SG376XV70	SG376XT70	SG376XN70GA	SG376XB70	SG376XW70NF	SRN0053401S	304	278	6,8
DN 80	3"	16	SG376XE71	SG376XN71	SG376XV71	SG376XT71	SG376XN71GA	SG376XB71	SG376XW71NF	SRN0053401S	304	285	7
DN 100	4"	16	SG376XE72	SG376XN72	SG376XV72	SG376XT72	SG376XN72GA	SG376XB72	SG376XW72NF	SRN0060401S	339	307	8,45
DN 125	5"	16	SG376XE73	SG376XN73	SG376XV73	SG376XT73	SG376XN73GA	SG376XB73	SG376XW73NF	SRN0090401S	394	350	13,7
DN 150	6"	16	SG376XE74	SG376XN74	SG376XV74	SG376XT74	SG376XN74GA	SG376XB74	SG376XW74NF	SRN0120401S	410	366	16
DN 200	8"	16	SG376XE75	SG376XN75	SG376XV75	SG376XT75	SG376XN75GA	SG376XB75	SG376XW75NF	SRN0240401S	520	425	25,1
DN 250	10"	16	SG376XE76	SG376XN76	SG376XV76	SG376XT76	SG376XN76GA	SG376XB76	SG376XW76NF	SRN0360401S	613	479	41,6
DN 300	12"	16	SG376XE77	SG376XN77	SG376XV77	SG376XT77	SG376XN77GA	SG376XB77	SG376XW77NF	SRN0480401S	648	537	57,2
DN 200	8"	10	SG376KE75	SG376KN75	SG376KV75	-	-	-	-	SRN0180401S	474	408	22,2
DN 250	10"	10	SG376KE76	SG376KN76	SG376KV76	-	-	-	-	SRN0240401S	521	466	36,9
DN 300	12"	10	SG376KE77	SG376KN77	SG376KV77	-	-	-	-	SRN0360401S	613	517	51
DN 350	14"	10	SG376KE78	On request	-	-	-	-	-	SRN0480401S	648	583	77,1
DN 400	16"	10	SG376KE79	On request	-	-	-	-	-	SRN0720401S	798	637	112,4
DN 450	18"	10	SG376KE80	On request	-	-	-	-	-	SRN0960401S	828	686	136,4
DN 500	20"	10	S376KE81	On request	-	-	-	-	-	SR1920E1608A	1001	789	189,4
DN 600	24"	10	S376KE82	On request	-	-	-	-	-	SR1920E1608A	1001	853	251,4

Dimensionamento degli attuatori pneumatici fatto considerando una pressione minima di alimentazione pari a 5,6 barg. Sizing of pneumatic actuators by minimum pressure rate 5,6 barg.

ATEX: Per la versione ATEX aggiungere "YX" alla fine del codice. ATEX: Please add "YX" at the end of the code for the ATEX version.



ITEM 377
CORPO IN GHISA CAST IRON BODY
CON ATTUATORE PNEUMATICO WITH PNEUMATIC ACTUATOR



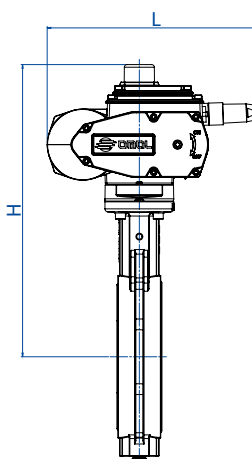
CON ATTUATORE PNEUMATICO DOPPIO EFFETTO - LENTE IN BRONZO ALLUMINIO
WITH DOUBLE ACTING PNEUMATIC ACTUATOR - BRONZE ALUMINIUM DISC

MISURA DN [mm]	SIZE [inch]	ΔP max [bar]	TENUTA LINER		ATTUATORE ACTUATOR	L [mm]	H [mm]	Kg
			EPDM	NBR				
DN 40	1"1/2	16	DG377XE68	DG377XN68	DAN0030411S	174,2	226,4	3,2
DN 50	2"	16	DG377XE69	DG377XN69	DAN0030411S	174,2	241,4	4
DN 65	2"1/2	16	DG377XE70	DG377XN70	DAN0045412S	188,5	258,7	5
DN 80	3"	16	DG377XE71	DG377XN71	DAN0045412S	188,5	265,7	5,2
DN 100	4"	16	DG377XE72	DG377XN72	DAN0060412S	198	290,4	6,7
DN 125	5"	16	DG377XE73	DG377XN73	DAN0106411S	237	316	10,3
DN 150	6"	16	DG377XE74	DG377XN74	DAN0120411S	244,1	332,2	11,8
DN 200	8"	16	DG377XE75	DG377XN75	DAN0240411S	313,6	401,3	18,7
DN 250	10"	16	DG377XE76	DG377XN76	DAN0360411S	339,3	449,2	31,6
DN 300	12"	16	DG377XE77	DG377XN77	DAN0480411S	387,6	504,1	44,1
DN 200	8"	10	DG377KE75	DG377KN75	DAN0180411S	289,9	397,7	17,9
DN 250	10"	10	DG377KE76	DG377KN76	DAN0240411S	313,6	442,3	30,5
DN 300	12"	10	DG377KE77	DG377KN77	DAN0360411S	339,3	487,2	41
DN 350	14"	10	A richiesta On request	A richiesta On request	DAN0480411S	387,6	549,9	64
DN 400	16"	10	A richiesta On request	A richiesta On request	DAN0720411S	433,1	599	91,4
DN 450	18"	10	A richiesta On request	A richiesta On request	DAN0960412S	479,3	646	111,8
DN 500	20"	10	A richiesta On request	A richiesta On request	DAN1440411S	567,1	690	145,8
DN 600	24"	10	A richiesta On request	A richiesta On request	DAN1920411S	601	775,7	216,4

CON ATTUATORE PNEUMATICO SEMPLICE EFFETTO - LENTE IN BRONZO ALLUMINIO
WITH SPRING RETURN PNEUMATIC ACTUATOR - BRONZE ALUMINIUM DISC

MISURA DN [mm]	SIZE [inch]	ΔP max [bar]	TENUTA LINER		ATTUATORE ACTUATOR	L [mm]	H [mm]	Kg
			EPDM	NBR				
DN 40	1"1/2	16	SG377XE68	SG377XN68	SRN0030402S	258,8	237,6	4,2
DN 50	2"	16	SG377XE69	SG377XN69	SRN0030402S	258,8	252,6	5
DN 65	2"1/2	16	SG377XE70	SG377XN70	SRN0053401S	304,2	277,5	6,8
DN 80	3"	16	SG377XE71	SG377XN71	SRN0053401S	304,2	284,5	7
DN 100	4"	16	SG377XE72	SG377XN72	SRN0060401S	338,5	307,2	8,45
DN 125	5"	16	SG377XE73	SG377XN73	SRN0090401S	393,7	350,2	13,7
DN 150	6"	16	SG377XE74	SG377XN74	SRN0120401S	409,6	366,3	16
DN 200	8"	16	SG377XE75	SG377XN75	SRN0240401S	520,4	425,2	25,1
DN 250	10"	16	SG377XE76	SG377XN76	SRN0360401S	613	479,2	41,6
DN 300	12"	16	SG377XE77	SG377XN77	SRN0480401S	648,2	537,2	57,2
DN 200	8"	10	SG377KE75	SG377KN75	SRN0180401S	474	408,2	22,2
DN 250	10"	10	SG377KE76	SG377KN76	SRN0240401S	520,5	466,2	36,9
DN 300	12"	10	SG377KE77	SG377KN77	SRN0360401S	613	517,2	51
DN 350	14"	10	A richiesta On request	A richiesta On request	SRN0480401S	648,2	583	77,1
DN 400	16"	10	A richiesta On request	A richiesta On request	SRN0720401S	798	637	112,4
DN 450	18"	10	A richiesta On request	A richiesta On request	SRN0960401S	828	685,7	136,4
DN 500	20"	10	A richiesta On request	A richiesta On request	SR1920E1608A	1001	788,5	189,4
DN 600	24"	10	A richiesta On request	A richiesta On request	SR1920E1608A	1001	852,5	251,4

Dimensionamento degli attuatori pneumatici fatto considerando una pressione minima di alimentazione pari a 5,6 barg. Sizing of pneumatic actuators by minimum pressure rate 5,6 barg.
ATEX: Per la versione ATEX aggiungere "YX" alla fine del codice. **ATEX:** Please add "YX" at the end of the code for the ATEX version.

**ITEM 375****CORPO IN GHISA CAST IRON BODY****CON ATTUATORE ELETTRICO WITH ELECTRIC ACTUATOR**
CON ATTUATORE ELETTRICO ON-OFF - LENTE IN GHISA
WITH ON-OFF ELECTRIC ACTUATOR - CAST IRON DISC

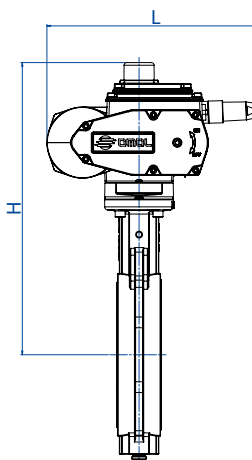
MISURA DN [mm]	SIZE [inch]	ΔP max [bar]	TENUTA LINER			ATTUATORE ACTUATOR	L [mm]	H [mm]	Kg
			EPDM	NBR	NBR CARBOX				
DN 40	1" 1/2	16	C375EA5E68	C375NA5E68	C375CA5E68	EA0035A5C000	250	284	5,8
DN 50	2"	16	C375EA5E69	C375NA5E69	C375CA5E69	EA0035A5C000	250	299	6,6
DN 65	2" 1/2	16	C375EA5E70	C375NA5E70	C375CA5E70	EA0035A5C000	250	311	7,4
DN 80	3"	16	C375EA5E71	C375NA5E71	C375CA5E71	EA0035A5C000	250	318	7,6
DN 100	4"	16	C375EA5G72	C375NA5G72	C375CA5G72	EA0070A5C000	250	337	8,9
DN 125	5"	16	C375EA5I73	C375NA5I73	C375CA5I73	EA0130A5C000	280	370	15
DN 150	6"	16	C375EA5I74	C375NA5I74	C375CA5I74	EA0130A5C000	280	383	16,4
DN 200	8"	16	C375EA5K75	C375NA5K75	C375CA5K75	EA0240A5C000	280	418	20,8
DN 250	10"	16	E375E16N76	E375N16N76	E375C16N76	AE160040	256	486	34,1
DN 300	12"	16	E375E16R77	E375N16R77	E375C16R77	AE160060	381	573	55
DN 250	10"	10	C375EA5K76	C375NA5K76	C375CA5K76	EA0240A5C000	280	457	32,6
DN 300	12"	10	E375E16N77	E375N16N77	E375C16N77	AE160040	256	524	43,5
DN 350	14"	10	E375E16T78	A richiesta On request	-	AE160100	381	619	75,9
DN 400	16"	10	E375E16T79	A richiesta On request	-	AE160100	381	655	100,9
DN 450	18"	10	E375E16T80	A richiesta On request	-	AE160100	381	682	115,9
DN 500	20"	10	E375E16V81	A richiesta On request	-	AE160150	381	708	147,4
DN 600	24"	10	E375E16X82	A richiesta On request	-	AE160200	381	772	209,4

CON ATTUATORE ELETTRICO MODULANTE - LENTE IN GHISA
WITH ROTARY MODULAR TYPE ELECTRIC ACTUATOR - CAST IRON DISC

MISURA DN [mm]	SIZE [inch]	ΔP max [bar]	TENUTA LINER			ATTUATORE ACTUATOR	L [mm]	H [mm]	Kg
			EPDM	NBR	NBR CARBOX				
DN 40	1" 1/2	16	M375E16F68	M375N16F68	M375C16F68	AM160005	208	311	6,7
DN 50	2"	16	M375E16F69	M375N16F69	M375C16F69	AM160005	208	326	7,5
DN 65	2" 1/2	16	M375E16F70	M375N16F70	M375C16F70	AM160005	208	338	8,3
DN 80	3"	16	M375E16F71	M375N16F71	M375C16F71	AM160005	208	345	8,5
DN 100	4"	16	M375E16H72	M375N16H72	M375C16H72	AM160010	208	364	9,6
DN 125	5"	16	M375E16H73	M375N16H73	M375C16H73	AM160010	208	376	12,3
DN 150	6"	16	M375E16L74	M375N16L74	M375C16L74	AM160020	257	410	17,9
DN 200	8"	16	M375E16L75	M375N16L75	M375C16L75	AM160020	257	445	22
DN 250	10"	16	M375E16N76	M375N16N76	M375C16N76	AM160040	257	486	33,8
DN 300	12"	16	M375E16P77	M375N16P77	M375C16P77	AM160050	381	573	57,3
DN 300	12"	10	M375E16N77	M375N16N77	M375C16N77	AM160040	257	524	43,2
DN 350	14"	10	M375E16T78	A richiesta On request	-	AM160100	381	619	77,2
DN 400	16"	10	M375E16T79	A richiesta On request	-	AM160100	381	655	102,2
DN 450	18"	10	M375E16T80	A richiesta On request	-	AM160100	381	682	117,2
DN 500	20"	10	M375E16V81	A richiesta On request	-	AM160150	381	708	147,7
DN 600	24"	10	M375E16X82	A richiesta On request	-	AM160200	381	772	209,7



ITEM 376
CORPO IN GHISA CAST IRON BODY
CON ATTUATORE ELETTRICO WITH ELECTRIC ACTUATOR



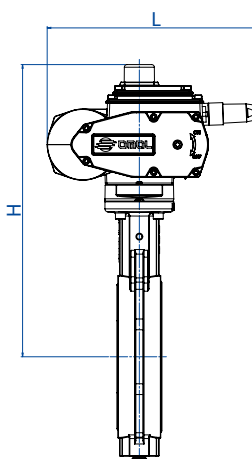
CON ATTUATORE ELETTRICO ON-OFF - LENTE IN CF8M
WITH ON-OFF ELECTRIC ACTUATOR - CF8M DISC

MISURA DN [mm]	SIZE [inch]	ΔP max [bar]	TENUTA LINER						NBR BIANCO WHITE NBR	NBR PER ACQUA NBR WATER	ATTUATORE ACTUATOR	L [mm]	H [mm]	Kg
			EPDM	NBR	FKM	PTFE on request	DVGW							
DN 40	1" 1/2	16	C376EA5E68	C376NA5E68	C376VA5E68	C376TA5E68	C376NA5E68GA	C376BA5E68	C376WA5E68NF	EA0035A5C000	250	284	5,8	
DN 50	2"	16	C376EA5E69	C376NA5E69	C376VA5E69	C376TA5E69	C376NA5E69GA	C376BA5E69	C376WA5E69NF	EA0035A5C000	250	299	6,6	
DN 65	2" 1/2	16	C376EA5E70	C376NA5E70	C376VA5E70	C376TA5E70	C376NA5E70GA	C376BA5E70	C376WA5E70NF	EA0035A5C000	250	311	7,4	
DN 80	3"	16	C376EA5E71	C376NA5E71	C376VA5E71	C376TA5E71	C376NA5E71GA	C376BA5E71	C376WA5E71NF	EA0035A5C000	250	318	7,6	
DN 100	4"	16	C376EA5G72	C376NA5G72	C376VA5G72	C376TA5G72	C376NA5G72GA	C376BA5G72	C376WA5G72NF	EA0070A5C000	250	337	8,9	
DN 125	5"	16	C376EA5I73	C376NA5I73	C376VA5I73	C376TA5I73	C376NA5I73GA	C376BA5I73	C376WA5I73NF	EA0130A5C000	280	370	15	
DN 150	6"	16	C376EA5I74	C376NA5I74	C376VA5I74	C376TA5I74	C376NA5I74GA	C376BA5I74	C376WA5I74NF	EA0130A5C000	280	383	16,4	
DN 200	8"	16	C376EA5K75	C376NA5K75	C376VA5K75	C376TA5K75	C376NA5K75GA	C376BA5K75	C376WA5K75NF	EA0240A5C000	280	418	20,8	
DN 250	10"	16	E376E16N76	E376N16N76	E376V16N76	E376T16N76	E376N16N76GA	E376B16N76	E376W16N76NF	AE160040	256	486	34,1	
DN 300	12"	16	E376E16R77	E376N16R77	E376V16R77	E376T16R77	E376N16R77GA	E376B16R77	E376W16R77NF	AE160060	381	573	55	
DN 250	10"	10	C376EA5K76	C376NA5K76	C376VA5K76	-	C376NA5K76GA	C376BA5K76	C376WA5K76NF	EA0240A5C000	280	457	32,6	
DN 300	12"	10	E376E16N77	E376N16N77	E376V16N77	-	E376N16N77GA	E376B16N77	E376W16N77NF	AE160040	256	524	43,5	
DN 350	14"	10	E376E16T78	On request	-	-	-	-	-	AE160100	381	619	75,9	
DN 400	16"	10	E376E16T79	On request	-	-	-	-	-	AE160100	381	655	100,9	
DN 450	18"	10	E376E16T80	On request	-	-	-	-	-	AE160100	381	682	115,9	
DN 500	20"	10	E376E16V81	On request	-	-	-	-	-	AE160150	381	708	147,4	
DN 600	24"	10	E376E16X82	On request	-	-	-	-	-	AE160200	381	772	209,4	

CON ATTUATORE ELETTRICO MODULANTE - LENTE IN CF8M
WITH ROTARY MODULAR TYPE ELECTRIC ACTUATOR - CF8M DISC

MISURA DN [mm]	SIZE [inch]	ΔP max [bar]	TENUTA LINER						NBR BIANCO WHITE NBR	NBR PER ACQUA NBR WATER	ATTUATORE ACTUATOR	L [mm]	H [mm]	Kg
			EPDM	NBR	FKM	PTFE on request	DVGW							
DN 40	1" 1/2	16	M376E16F68	M376N16F68	M376V16F68	M376T16F68	M376N16F68GA	M376B16F68	M376W16F68NF	AM160005	208	311	6,7	
DN 50	2"	16	M376E16F69	M376N16F69	M376V16F69	M376T16F69	M376N16F69GA	M376B16F69	M376W16F69NF	AM160005	208	326	7,5	
DN 65	2" 1/2	16	M376E16F70	M376N16F70	M376V16F70	M376T16F70	M376N16F70GA	M376B16F70	M376W16F70NF	AM160005	208	338	8,3	
DN 80	3"	16	M376E16F71	M376N16F71	M376V16F71	M376T16F71	M376N16F71GA	M376B16F71	M376W16F71NF	AM160005	208	345	8,5	
DN 100	4"	16	M376E16H72	M376N16H72	M376V16H72	M376T16H72	M376N16H72GA	M376B16H72	M376W16H72NF	AM160010	208	364	9,6	
DN 125	5"	16	M376E16H73	M376N16H73	M376V16H73	M376T16H73	M376N16H73GA	M376B16H73	M376W16H73NF	AM160010	208	376	12,3	
DN 150	6"	16	M376E16L74	M376N16L74	M376V16L74	M376T16L74	M376N16L74GA	M376B16L74	M376W16L74NF	AM160020	257	410	17,9	
DN 200	8"	16	M376E16L75	M376N16L75	M376V16L75	M376T16L75	M376N16L75GA	M376B16L75	M376W16L75NF	AM160020	257	445	22	
DN 250	10"	16	M376E16N76	M376N16N76	M376V16N76	M376T16N76	M376N16N76GA	M376B16N76	M376W16N76NF	AM160040	257	486	33,8	
DN 300	12"	16	M376E16P77	M376N16P77	M376V16P77	M376T16P77	M376N16P77GA	M376B16P77	M376W16P77NF	AM160050	381	573	57,3	
DN 300	12"	10	M376E16N77	M376N16N77	M376V16N77	-	M376N16N77GA	M376B16N77	M376W16N77NF	AM160040	257	524	43,2	
DN 350	14"	10	M376E16T78	On request	-	-	-	-	-	AM160100	381	619	77,2	
DN 400	16"	10	M376E16T79	On request	-	-	-	-	-	AM160100	381	655	102,2	
DN 450	18"	10	M376E16T80	On request	-	-	-	-	-	AM160100	381	682	117,2	
DN 500	20"	10	M376E16V81	On request	-	-	-	-	-	AM160150	381	708	147,7	
DN 600	24"	10	M376E16X82	On request	-	-	-	-	-	AM160200	381	772	209,7	

Codici con attuatore elettrico 230 Vac. Items with electric actuator 230 Vac.

**ITEM 377****CORPO IN GHISA CAST IRON BODY****CON ATTUATORE ELETTRICO WITH ELECTRIC ACTUATOR**
CON ATTUATORE ELETTRICO ON-OFF - LENTE IN BRONZO ALLUMINIO
WITH ON-OFF ELECTRIC ACTUATOR - BRONZE ALUMINIUM DISC

MISURA DN [mm]	SIZE [inch]	ΔP max [bar]	TENUTA LINER		ATTUATORE ACTUATOR	L [mm]	H [mm]	Kg
			EPDM	NBR				
DN 40	1" 1/2	16	C377EA5E68	C377NA5E68	EA0035A5C000	250	284	5,8
DN 50	2"	16	C377EA5E69	C377NA5E69	EA0035A5C000	250	299	6,6
DN 65	2" 1/2	16	C377EA5E70	C377NA5E70	EA0035A5C000	250	311	7,4
DN 80	3"	16	C377EA5E71	C377NA5E71	EA0035A5C000	250	318	7,6
DN 100	4"	16	C377EA5G72	C377NA5G72	EA0070A5C000	250	337	8,9
DN 125	5"	16	C377EA5I73	C377NA5I73	EA0130A5C000	280	370	15
DN 150	6"	16	C377EA5I74	C377NA5I74	EA0130A5C000	280	383	16,4
DN 200	8"	16	C377EA5K75	C377NA5K75	EA0240A5C000	280	418	20,8
DN 250	10"	16	E377E16N76	E377N16N76	AE160040	256	486	34,1
DN 300	12"	16	E377E16R77	E377N16R77	AE160060	381	573	55
DN 250	10"	10	C377EA5K76	C377NA5K76	EA0240A5C000	280	457	32,6
DN 300	12"	10	E377E16N77	E377N16N77	AE160040	256	524	43,5
DN 350	14"	10	A richiesta On request	A richiesta On request	AE160100	381	619	75,9
DN 400	16"	10	A richiesta On request	A richiesta On request	AE160100	381	655	100,9
DN 450	18"	10	A richiesta On request	A richiesta On request	AE160100	381	682	115,9
DN 500	20"	10	A richiesta On request	A richiesta On request	AE160150	381	708	147,4
DN 600	24"	10	A richiesta On request	A richiesta On request	AE160200	381	772	209,4

CON ATTUATORE ELETTRICO MODULANTE - LENTE IN BRONZO ALLUMINIO
WITH ROTARY MODULAR TYPE ELECTRIC ACTUATOR - BRONZE ALUMINIUM DISC

MISURA DN [mm]	SIZE [inch]	ΔP max [bar]	TENUTA LINER		ATTUATORE ACTUATOR	L [mm]	H [mm]	Kg
			EPDM	NBR				
DN 40	1" 1/2	16	M377E16F68	M377N16F68	AM160005	208	311	6,7
DN 50	2"	16	M377E16F69	M377N16F69	AM160005	208	326	7,5
DN 65	2" 1/2	16	M377E16F70	M377N16F70	AM160005	208	338	8,3
DN 80	3"	16	M377E16F71	M377N16F71	AM160005	208	345	8,5
DN 100	4"	16	M377E16H72	M377N16H72	AM160010	208	364	9,6
DN 125	5"	16	M377E16H73	M377N16H73	AM160010	208	376	12,3
DN 150	6"	16	M377E16L74	M377N16L74	AM160020	257	410	17,9
DN 200	8"	16	M377E16L75	M377N16L75	AM160020	257	445	22
DN 250	10"	16	M377E16N76	M377N16N76	AM160040	257	486	33,8
DN 300	12"	16	M377E16P77	M377N16P77	AM160050	381	573	57,3
DN 300	12"	10	M377E16N77	M377N16N77	AM160040	257	524	43,2
DN 350	14"	10	A richiesta On request	A richiesta On request	AM160100	381	619	77,2
DN 400	16"	10	A richiesta On request	A richiesta On request	AM160100	381	655	102,2
DN 450	18"	10	A richiesta On request	A richiesta On request	AM160100	381	682	117,2
DN 500	20"	10	A richiesta On request	A richiesta On request	AM160150	381	708	147,7
DN 600	24"	10	A richiesta On request	A richiesta On request	AM160200	381	772	209,7

**ITEM 375-376-377**
KIT GUARNIZIONI SEALS KIT

MISURA SIZE		TENUTA LINER					
DN [mm]	[inch]	EPDM	NBR	FKM	NBR BIANCO WHITE NBR	NBR CARBOX	DVGW
DN 40	1" 1/2	KGFE0068	KGFN0068	KGFEV0068	KGFA0068	KGFC0068	KGFG0068
DN 50	2"	KGFE0069	KGFN0069	KGFEV0069	KGFA0069	KGFC0069	KGFG0069
DN 65	2" 1/2	KGFE0070	KGFN0070	KGFEV0070	KGFA0070	KGFC0070	KGFG0070
DN 80	3"	KGFE0071	KGFN0071	KGFEV0071	KGFA0071	KGFC0071	KGFG0071
DN 100	4"	KGFE0072	KGFN0072	KGFEV0072	KGFA0072	KGFC0072	KGFG0072
DN 125	5"	KGFE0073	KGFN0073	KGFEV0073	KGFA0073	KGFC0073	KGFG0073
DN 150	6"	KGFE0074	KGFN0074	KGFEV0074	KGFA0074	KGFC0074	KGFG0074
DN 200	8"	KGFE0075	KGFN0075	KGFEV0075	KGFA0075	KGFC0075	KGFG0075
DN 250	10"	KGFE0076	KGFN0076	KGFEV0076	KGFA0076	KGFC0076	KGFG0076
DN 300	12"	KGFE0077	KGFN0077	KGFEV0077	KGFA0077	KGFC0077	KGFG0077
DN 350	14"	KGFE0078	KGFN0078	-	-	-	-
DN 400	16"	KGFE0079	KGFN0079	-	-	-	-
DN 450	18"	KGFE0080	KGFN0080	-	-	-	-
DN 500	20"	KGFE0081	KGFN0081	-	-	-	-
DN 600	24"	KGFE0082	KGFN0082	-	-	-	-



ITEM 375-376-377

KIT CONNESSIONE VALVOLA-ATTUATORE VALVE-ACTUATOR CONNECTION KIT

KIT DI CONNESSIONE VALVOLA-ATTUATORE VALVE-ACTUATOR CONNECTION KIT						
MISURA SIZE		ΔP max 10 bar		ΔP max 16 bar		
DN [mm]	[inch]	ATTUATORE ACTUATOR	KIT DI CONNESSIONE CONNECTION KIT	ATTUATORE ACTUATOR	KIT DI CONNESSIONE CONNECTION KIT	KIT DI CONNESSIONE valvola con TENUTA IN PTFE CONNECTION KIT valve with PTFE LINER
DN 40	1" 1/2	-	-	DAN0030411S	KCF042895	KCF045003
		-	-	SRN0030402S	KCF052925	KCF055004
		-	-	EA0035A5C000	KCF052925	KCF052925
		-	-	AM160005	KCE282926	KCE282926
DN 50	2"	-	-	DAN0030411S	KCF042895	KCF045003
		-	-	SRN0030402S	KCF052925	KCF055004
		-	-	EA0035A5C000	KCF052925	KCF052925
		-	-	AM160005	KCE282926	KCE282926
DN 65	2" 1/2	-	-	DAN0045412S	KCF042896	KCF044988
		-	-	SRN0053401S	KCF072949	KCF075005
		-	-	EA0035A5C000	KCF052897	KCF052897
		-	-	AM160005	KCE282927	KCE282927
DN 80	3"	-	-	DAN0045412S	KCF042896	KCF044988
		-	-	SRN0053401S	KCF072949	KCF075005
		-	-	EA0035A5C000	KCF052897	KCF052897
		-	-	AM160005	KCE282927	KCE282927
DN 100	4"	-	-	DAN0060412S	KCF052897	KCF054991
		-	-	SRN0060401S	KCF072949	KCF075005
		-	-	EA0070A5C000	KCF052897	KCF052897
		-	-	AM160010	KCE282927	KCE282927
DN 125	5"	-	-	DAN0106411S	KCF072899	KCF074994
		-	-	SRN0090401S	KCF105415	KCF105006
		-	-	EA0130A5C000	KCF072899	KCF072899
		-	-	AM160010	KCE282928	KCE282928
DN 150	6"	-	-	DAN0120411S	KCF072899	KCF074994
		-	-	SRN0120401S	KCF105415	KCF105006
		-	-	EA0130A5C000	KCF072899	KCF072899
		-	-	AM160020	KCE362929	KCE362929
DN 200	8"	DAN0180411S	KCF102900	DAN0240411S	KCF102900	KCF104998
		SRN0180401S	KCF102900	SRN0240401S	KCF123367	KCF125532
		EA0240A5C000	KCF102900	EA0240A5C000	KCF102900	KCF102900
		AM160020	KCE362930	AM160020	KCE362930	KCE362930
DN 250	10"	DAN0240411S	KCF102901	DAN0360411S	KCF102901	KCF104995
		SRN0240401S	KCF122902	SRN0360401S	KCF122902	KCF124997
		EA0240A5C000	KCF102901	AE160040	KCE362931	KCE362931
		AM160040	KCE362931	AM160040	KCE362931	KCE362931
DN 300	12"	DAN0360411S	KCF102901	DAN0480411S	KCF122902	KCF124997
		SRN0360401S	KCF122902	SRN0480401S	KCF145417	KCF125533
		AE160040	KCE362931	AE160060	KCE562932	KCE562932
		AM160040	KCE362931	AM160050	KCE562932	KCE562932
DN 350	14"	DAN0480411S	KCF123212	-	-	-
		SRN0480401S	KCF144262	-	-	-
		AE160100	KCE563395	-	-	-
		AM160100	KCE563395	-	-	-
DN 400	16"	DAN0720411S	KCF123213	-	-	-
		SRN0720401S	KCF143214	-	-	-
		AE160100	KCE563350	-	-	-
		AM160100	KCE563350	-	-	-
DN 450	18"	DAN0960411S	KCF144263	-	-	-
		SRN0960401S	KCF164264	-	-	-
		AE160100	KCE563350	-	-	-
		AM160100	KCE563350	-	-	-
DN 500	20"	DAN1440411S	KCF143215	-	-	-
		SR1920E1608A	KCF163216	-	-	-
		AE160150	KCE563390	-	-	-
		AM160150	KCE563390	-	-	-
DN 600	24"	DAN1920411S	KCF164265	-	-	-
		SR1920E1608A	KCF163216	-	-	-
		AE160200	KCE563390	-	-	-
		AM160200	KCE563390	-	-	-



ITEM 385-386-387

VALVOLA A FARFALLA IN GHISA PER MONTAGGIO TRA FLANGE TIPO "LUG"
CAST IRON BUTTERFLY VALVE FOR MOUNTING BETWEEN FLANGES, "LUG" TYPE

ITEM 385

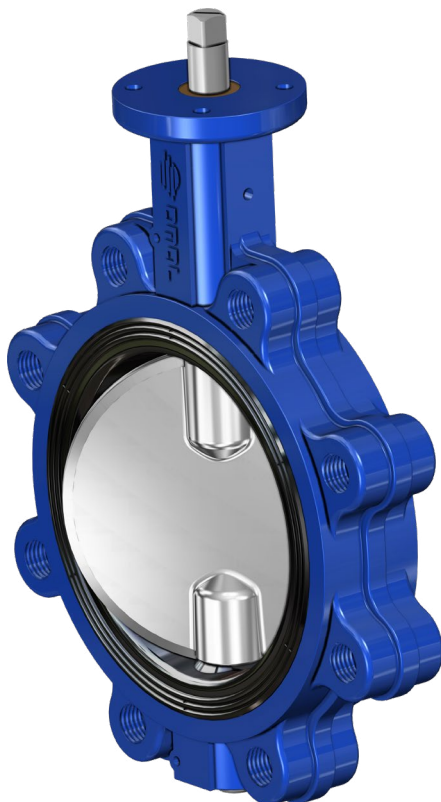
Corpo: Ghisa
Lente: Ghisa
Guarnizioni: vedere tabella

ITEM 386

Corpo: Ghisa
Lente: CF8M (316 S.S.)
Guarnizioni: vedere tabella

ITEM 387

Corpo: Ghisa
Lente: Bronzo Alluminio
Guarnizioni: vedere tabella



ITEM 385

Body: Cast iron
Butterfly: Cast iron
Liner: see table

ITEM 386

Body: Cast iron
Butterfly: CF8M (316 S.S.)
Liner: see table

ITEM 387

Body: Cast iron
Butterfly: Bronze aluminium
Liner: see table

ESECUZIONI STANDARD:

- Gamma disponibile: dal DN 40 al DN 300 PN 10 - PN 16.
- Flangiatura standard: PN 10=PN 16 dal DN 40 al DN 150;
PN 10 o PN 16 dal DN 200 al DN 300.
- A richiesta PN 16 dal DN 200 al DN 300.
- Requisiti generali in accordo a UNI EN593.
- Ingombri da faccia a faccia normalizzati EN 558 serie 20.
- Testa della valvola normalizzata ISO 5211.
- Tenuta secondo EN 12266-1 rate A.
- Altre combinazioni a richiesta.
- Temperatura di utilizzo per le guarnizioni:
 - EPDM: da -25°C a +135°C;
 - NBR: da -23°C a +82°C;
 - FKM: da -10°C a +190°C;
 - PTFE (su base EPDM): da -25°C a +135°C.
- Pressione di utilizzo tra flange: PN 16 bar dal DN 40 al DN 150;
PN 10 o PN 16 bar dal DN 200 al DN 300.
- Spessore rivestimento epossidico: 160 ÷ 200 µ. RAL: 5015.

ESECUZIONI A RICHIESTA:

- Temperatura di utilizzo per guarnizioni speciali:
 - SILICONE: da -25°C a +160°C;
 - NBR CARBOX: da -10°C a +82°C;
 - NBR BIANCO per fluidi alimentari: da -23°C a +82°C;
 - HNBR: da -20°C a +120°C.
- Per altre applicazioni contattare il nostro ufficio commerciale.

CERTIFICAZIONI:

- Conforme alla direttiva Europea 2014/68/EU "PED".
- Omologazione DVGW per gas combustibile (V386).
- Omologazione RINA.
- Dichiarazione conformità al D.M.n°174; Idoneità al contatto con acqua e fluidi alimentari (V386).
- Versione ATEX in conformità alla Direttiva Europea 2014/34/EU.
- Certificato ATEX a richiesta (Per le valvole con guarnizione in PTFE solo fino alla DN200).

STANDARD EXECUTIONS:

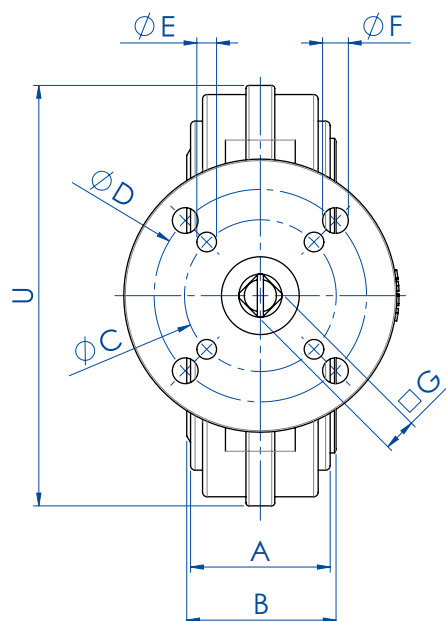
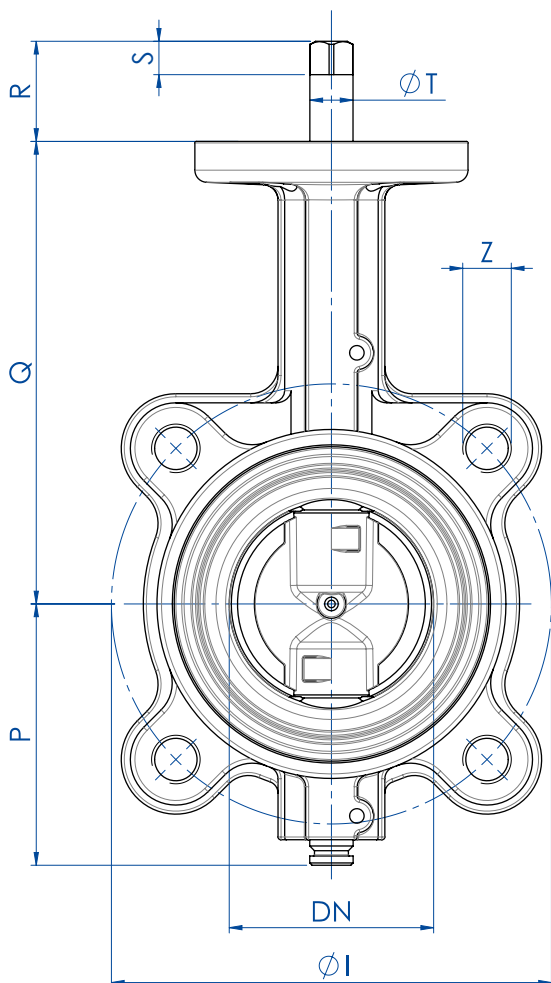
- Available range: from DN 40 to DN 300 PN 10 - PN 16.
- Standard flanges: PN 10=PN 16 - from DN 40 to DN 150;
PN 10 or PN 16 from DN 200 to DN 300.
- On request PN 16 from DN 200 to DN 300.
- General requirements in accordance with UNI EN593.
- Face to face as per EN 558 serie 20.
- Valve head as per ISO 5211.
- Tightness as per EN 12266-1 rate A.
- Other tests on request.
- Operating temperature of liners:
 - EPDM: from -25°C to +135°C;
 - NBR: from -23°C to +82°C;
 - FKM: from -10°C to +190°C;
 - PTFE (on EPDM core): from -25°C to +135°C.
- Working pressure between flanges: PN 16 bar for DN 40 to DN 150;
PN 10 or PN 16 bar for DN 200 to DN 300.
- Thickness of epoxy coating: 160 ÷ 200 µ. RAL: 5015.

ON REQUEST:

- Working temperature for special liners:
 - SILICONE: from -25°C to +160°C;
 - NBR CARBOX: from -10°C to +82°C;
 - NBR WHITE for food: from -23°C to +82°C;
 - HNBR: from -20°C to +120°C.
- For other applications, please contact our sales department.

CERTIFICATIONS:

- According to 2014/68/EU "PED".
- DVGW homologation for gas (V386).
- RINA homologation.
- Conformity to the Italian D.M.n°174 suitable with drinking water and alimentary fluid (V386).
- ATEX version in conformity with European Directive 2014/34/EU.
- ATEX certificate on request (For valves with PTFE liner only up to DN200).



A: Scartamento valvola
Face to face

B: Guarnizioni non compresse
Liner not compressed

MISURA SIZE		DIMENSIONI DIMENSIONS																
DN [mm]	[inch]	PN	A	B	ØC	ØD	ØE	ØF	□G	ØI	P	Q	R	S	ØT	U	ØZ	Fori Holes
DN 40	1"1/2	10-16	33	36	50	70	6,5	8,5	9	110	70	125	31	9	14,2	118	M16	4
DN 50	2"	10-16	43	46	50	70	6,5	8,5	9	125	80	140	31	9	14,2	125	M16	4
DN 65	2"1/2	10-16	46	49	50	70	6,5	8,5	11	145	86	152	33	11	14,2	139	M16	4
DN 80	3"	10-16	46	49	50	70	6,5	8,5	11	160	95,5	159	33	11	14,2	184	M16	8
DN 100	4"	10-16	52	56	50	70	6,5	8,5	11	180	108	178	33	11	14,2	204	M16	8
DN 125	5"	10-16	56	59	70		8,5		14	210	124,5	190,5	36	14	19	230	M16	8
DN 150	6"	10-16	56	59	70		8,5		14	240	137	203	36	14	19	266	M20	8
DN 200	8"	10	60	64	70		8,5		17	295	166	238	39	17	22,2	318	M20	8
DN 250	10"	10	68	72	102	125	11	13	17	350	199	268	50	17	28,5	395	M20	12
DN 300	12"	10	78	81,5	102	125	11	13	22	400	234	306	55	22	28,5	448	M20	12
DN 200	8"	16	60	64	70		8,5		17	295	166	238	39	17	22,2	329	M20	12
DN 250	10"	16	68	72	102	125	11	13	22	355	199	268	55	22	28,5	395	M24	12
DN 300	12"	16	78	81,5	102	125	11	13	22	410	234	306	55	22	28,5	448	M24	12

MISURA SIZE		COPPIE DI SPUNTO in Nm BREAKAWAY TORQUES Nm									
		DN 40 1"1/2	DN 50 2"	DN 65 2"1/2	DN 80 3"	DN 100 4"	DN 125 5"	DN 150 6"	DN 200 8"	DN 250 10"	DN 300 12"
PN 10 bar		15	15	17	19	27	36	54	109	145	218
PN 16 bar		18	18	25	27	35	52	72	142	170	250

I valori della coppia possono variare in funzione della temperatura e del tipo di fluido. Considerare un fattore di sicurezza pari a 1,4. Con frequenti cicli di apertura e chiusura la coppia di manovra può diminuire sensibilmente rispetto a quella iniziale. Gli accoppiamenti attuatore/valvola, riportati nelle pagine seguenti, sono realizzati per valvole che intercettano fluidi liquidi o gassosi, puliti e per medie temperature. Per maggiori informazioni, o utilizzi diversi, consultare il nostro ufficio commerciale.

Torque can vary depending on temperature and type of fluid; a safety factor of 1.4 must be applied. Torque can drop on high frequency of operations. The actuator/valve sizing, indicated on the following pages, are based for valves to be used with liquids or gaseous fluids, clean, and for medium temperatures. For further information, or different uses please contact our sales department.



ITEM 385-386-387

CORPO IN GHISA CAST IRON BODY

ASSE LIBERO FREE SHAFT

ASSE LIBERO - LENTE IN GHISA FREE SHAFT - CAST IRON DISC

MISURA SIZE		PN	TENUTA LINER		
DN [mm]	[inch]		EPDM	NBR	NBR CARBOX
DN 40	1" 1/2	10-16	V385XE68	V385XN68	V385XC68
DN 50	2"	10-16	V385XE69	V385XN69	V385XC69
DN 65	2" 1/2	10-16	V385XE70	V385XN70	V385XC70
DN 80	3"	10-16	V385XE71	V385XN71	V385XC71
DN 100	4"	10-16	V385XE72	V385XN72	V385XC72
DN 125	5"	10-16	V385XE73	V385XN73	V385XC73
DN 150	6"	10-16	V385XE74	V385XN74	V385XC74
DN 200	8"	10	V385KE75	V385KN75	V385KC75
DN 250	10"	10	V385KE76	V385KN76	V385KC76
DN 300	12"	10	V385KE77	V385KN77	V385KC77
DN 200	8"	16	V385FE75	V385FN75	V385FC75
DN 250	10"	16	V385FE76	V385FN76	V385FC76
DN 300	12"	16	V385FE77	V385FN77	V385FC77

A richiesta
On request

ASSE LIBERO - LENTE IN CF8M FREE SHAFT - CF8M DISC

MISURA SIZE		PN	TENUTA LINER						
DN [mm]	[inch]		EPDM	NBR	FKM	PTFE <i>on request</i>	DVGW	NBR BIANCO <i>WHITE NBR</i>	NBR PER ACQUA <i>NBR WATER</i>
DN 40	1" 1/2	10-16	V386XE68	V386XN68	V386XV68	V386XT68	V386XN68GA	V386XB68	V386XW68NF
DN 50	2"	10-16	V386XE69	V386XN69	V386XV69	V386XT69	V386XN69GA	V386XB69	V386XW69NF
DN 65	2" 1/2	10-16	V386XE70	V386XN70	V386XV70	V386XT70	V386XN70GA	V386XB70	V386XW70NF
DN 80	3"	10-16	V386XE71	V386XN71	V386XV71	V386XT71	V386XN71GA	V386XB71	V386XW71NF
DN 100	4"	10-16	V386XE72	V386XN72	V386XV72	V386XT72	V386XN72GA	V386XB72	V386XW72NF
DN 125	5"	10-16	V386XE73	V386XN73	V386XV73	V386XT73	V386XN73GA	V386XB73	V386XW73NF
DN 150	6"	10-16	V386XE74	V386XN74	V386XV74	V386XT74	V386XN74GA	V386XB74	V386XW74NF
DN 200	8"	10	V386KE75	V386KN75	V386KV75	V386KT75	V386KN75GA	V386KB75	V386KW75NF
DN 250	10"	10	V386KE76	V386KN76	V386KV76	V386KT76	V386KN76GA	V386KB76	V386KW76NF
DN 300	12"	10	V386KE77	V386KN77	V386KV77	V386KT77	V386KN77GA	V386KB77	V386KW77NF
DN 200	8"	16	V386FE75	V386FN75	V386FV75	V386FT75	V386FN75GA	V386FB75	V386FW75NF
DN 250	10"	16	V386FE76	V386FN76	V386FV76	V386FT76	V386FN76GA	V386FB76	V386FW76NF
DN 300	12"	16	V386FE77	V386FN77	V386FV77	V386FT77	V386FN77GA	V386FB77	V386FW77NF

A richiesta
On request

ASSE LIBERO - LENTE IN BRONZO ALLUMINIO FREE SHAFT - BRONZE ALUMINIUM DISC

MISURA SIZE		PN	TENUTA LINER	
DN [mm]	[inch]		EPDM	NBR
DN 40	1" 1/2	10-16	V387XE68	V387XN68
DN 50	2"	10-16	V387XE69	V387XN69
DN 65	2" 1/2	10-16	V387XE70	V387XN70
DN 80	3"	10-16	V387XE71	V387XN71
DN 100	4"	10-16	V387XE72	V387XN72
DN 125	5"	10-16	V387XE73	V387XN73
DN 150	6"	10-16	V387XE74	V387XN74
DN 200	8"	10	V387KE75	V387KN75
DN 250	10"	10	V387KE76	V387KN76
DN 300	12"	10	V387KE77	V387KN77
DN 200	8"	16	V387FE75	V387FN75
DN 250	10"	16	V387FE76	V387FN76
DN 300	12"	16	V387FE77	V387FN77

A richiesta
On request

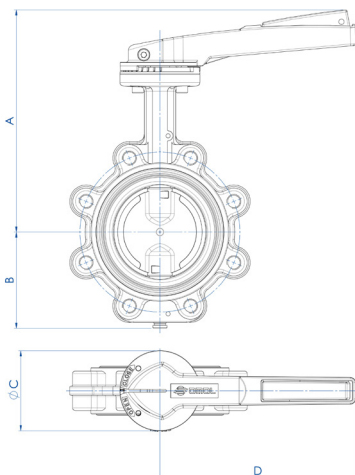
ATEX: Per la versione ATEX aggiungere "YX" alla fine del codice.
ATEX: Please add "YX" at the end of the code for the ATEX version.



ITEM 385-386-387

CORPO IN GHISA CAST IRON BODY

CON LEVA WITH LEVER



MISURA SIZE		DIMENSIONI DIMENSIONS				
DN [mm]	[inch]	A	B	øC	D	Kg
DN 40	1" 1/2	188	70	90	160	2,5
DN 50	2"	203	80	90	160	3,4
DN 65	2" 1/2	225	86	90	220	4,3
DN 80	3"	230	95,5	90	220	5,5
DN 100	4"	250	108	90	220	6,6
DN 125	5"	277	124,5	90	350	9
DN 150	6"	290	137	90	350	11,4
DN 200	8"	325	166	90	350	17,5

CARATTERISTICHE DELLA LEVA

Leva con regolazione dentellata a 10 posizioni:
 Materiale: alluminio;
 Trattamento esterno: verniciata (poliestere);
 Peso: da 0,3 a 0,9 Kg.
 Lucchettabile in ogni posizione.

LEVER FEATURES

10-position lever; lockable in each position
 Material: Aluminium;
 Surface coating: polyester
 Weight: from 0,3 to 0,9 Kg.

CON LEVA - LENTE IN GHISA WITH LEVER - CAST IRON DISC

MISURA SIZE		PN	TENUTA LINER			LEVA LEVER
DN [mm]	[inch]		EPDM	NBR	NBR CARBOX	
DN 40	1" 1/2	10-16	L385XE68	L385XN68	L385XC68	KLW37569
DN 50	2"	10-16	L385XE69	L385XN69	L385XC69	KLW37569
DN 65	2" 1/2	10-16	L385XE70	L385XN70	L385XC70	KLW37570
DN 80	3"	10-16	L385XE71	L385XN71	L385XC71	KLW37570
DN 100	4"	10-16	L385XE72	L385XN72	L385XC72	KLW37570
DN 125	5"	10-16	L385XE73	L385XN73	L385XC73	KLW37573
DN 150	6"	10-16	L385XE74	L385XN74	L385XC74	KLW37573
DN 200	8"	10	L385KE75	L385KN75	L385KC75	KLW37575
DN 200	8"	16	L385FE75	L385FN75	L385FC75	KLW37575

CON LEVA - LENTE IN CF8M WITH LEVER - CF8M DISC

MISURA SIZE		PN	TENUTA LINER						LEVA LEVER	
DN [mm]	[inch]		EPDM	NBR	FKM	PTFE on request	DVGW	NBR BIANCO WHITE NBR		NBR PER ACQUA NBR WATER
DN 40	1" 1/2	10-16	L386XE68	L386XN68	L386XV68	L386XT68	L386XN68GA	L386XB68	L386XW68NF	KLW37569*
DN 50	2"	10-16	L386XE69	L386XN69	L386XV69	L386XT69	L386XN69GA	L386XB69	L386XW69NF	KLW37569*
DN 65	2" 1/2	10-16	L386XE70	L386XN70	L386XV70	L386XT70	L386XN70GA	L386XB70	L386XW70NF	KLW37570*
DN 80	3"	10-16	L386XE71	L386XN71	L386XV71	L386XT71	L386XN71GA	L386XB71	L386XW71NF	KLW37570*
DN 100	4"	10-16	L386XE72	L386XN72	L386XV72	L386XT72	L386XN72GA	L386XB72	L386XW72NF	KLW37570*
DN 125	5"	10-16	L386XE73	L386XN73	L386XV73	L386XT73	L386XN73GA	L386XB73	L386XW73NF	KLW37573*
DN 150	6"	10-16	L386XE74	L386XN74	L386XV74	L386XT74	L386XN74GA	L386XB74	L386XW74NF	KLW37573*
DN 200	8"	10	L386KE75	L386KN75	L386KV75	L386KT75	L386KN75GA	L386KB75	L386KW75NF	KLW37575*
DN 200	8"	16	L386FE75	L386FN75	L386FV75	L386FT75	L386FN75GA	L386FB75	L386FW75NF	KLW37575*

*Per la versione DVGW aggiungere "GI" alla fine del codice

*Please add "GI" at the end of the code for the DVGW version

CON LEVA - LENTE IN BRONZO ALLUMINIO WITH LEVER - BRONZE ALUMINIUM DISC

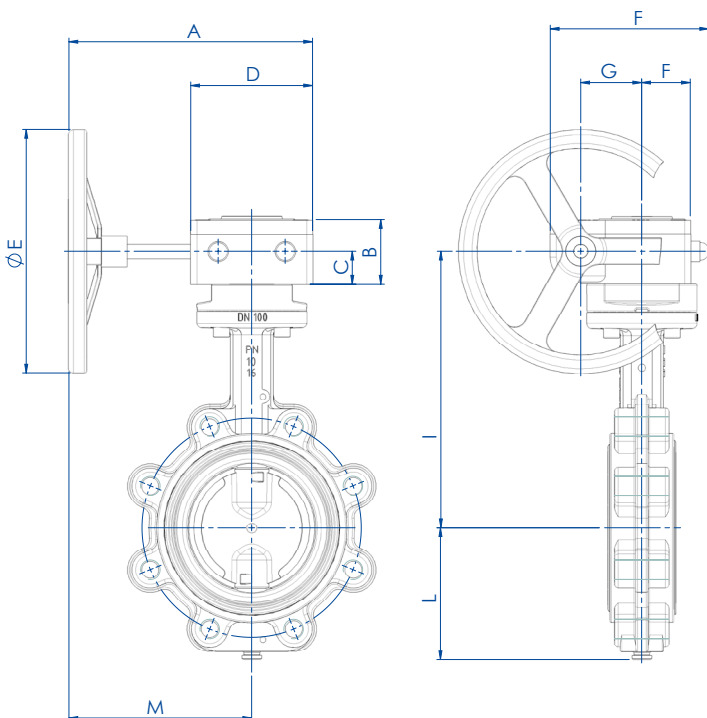
MISURA SIZE		PN	TENUTA LINER		LEVA LEVER
DN [mm]	[inch]		EPDM	NBR	
DN 40	1" 1/2	10-16	L387XE68	L387XN68	KLW37569
DN 50	2"	10-16	L387XE69	L387XN69	KLW37569
DN 65	2" 1/2	10-16	L387XE70	L387XN70	KLW37570
DN 80	3"	10-16	L387XE71	L387XN71	KLW37570
DN 100	4"	10-16	L387XE72	L387XN72	KLW37570
DN 125	5"	10-16	L387XE73	L387XN73	KLW37573
DN 150	6"	10-16	L387XE74	L387XN74	KLW37573
DN 200	8"	10	L387KE75	L387KN75	KLW37575
DN 200	8"	16	L387FE75	L387FN75	KLW37575

ATEX: Per la versione ATEX aggiungere "YX" alla fine del codice.

ATEX: Please add "YX" at the end of the code for the ATEX version.



ITEM 385-386-387
CORPO IN GHISA CAST IRON BODY
CON RIDUTTORE WITH GEAR BOX



CARATTERISTICHE DEL RIDUTTORE

Meccanismo di concezione sperimentata, funzionante tramite pignone dentato e vite senza fine.
 Un indicatore visivo dà la posizione della valvola.
 Carter in lega di alluminio per i riduttori "RF0", in ghisa per i riduttori "RRM...".
 Pignone dentato in ghisa.
 Vite senza fine in acciaio trattato.
 Volantino in acciaio.
 Esterno trattato con vernice epossidica.

GEAR BOX FEATURES

Designed tested mechanism, working through pinion and worm.
Visual indicator gives the position of the valve
Aluminium alloy carter for the gear box "RF0" type, cast iron for the gear box "RRM..." Type
Cast iron pinion.
Worm gear in hardened steel.
Steel wheel.
Epoxy painted external surface.

DIMENSIONI DIMENSIONS

MISURA SIZE		PN	A	B	C	D	ØE	F	G	H	I	L	M	Kg
DN (mm)	[inch]													
DN 40	1"1/2	10-16	200	49	24	80	140	115	42	35	171,2	70	160	3,6
DN 50	2"	10-16	200	49	24	80	140	115	42	35	185,9	80	160	4,5
DN 65	2"1/2	10-16	200	54	27	100	200	130	50	40	201,6	86	150	5,9
DN 80	3"	10-16	200	54	27	100	200	130	50	40	208	95,5	150	7,1
DN 100	4"	10-16	200	54	27	100	200	130	50	40	227	108	150	8,2
DN 125	5"	10-16	200	54	27	100	200	130	50	40	239,7	124,5	150	10,2
DN 150	6"	10-16	200	54	27	100	200	130	50	40	252,4	137	150	12
DN 200	8"	10	250	70,5	40,5	140	300	175	60	60	300,7	166	180	21,6
DN 250	10"	10	250	70,5	40,5	140	300	175	60	60	342	199	180	29,8
DN 300	12"	10	250	70,5	40,5	140	300	175	60	60	380	234	180	45,1
DN 200	8"	16	250	70,5	40,5	140	300	175	60	60	300,7	166	180	21,6
DN 250	10"	16	250	70,5	40,5	140	300	175	60	60	342	199	180	29,8
DN 300	12"	16	250	70,5	40,5	140	300	175	60	60	380	234	180	45,1



ITEM 385-386-387

CORPO IN GHISA CAST IRON BODY CON RIDUTTORE WITH GEAR BOX

CON RIDUTTORE - LENTE IN GHISA WITH GEAR BOX - CAST IRON DISC

MISURA SIZE		PN	TENUTA LINER			RIDUTTORE GEAR-BOX	KIT VALVOLA-RIDUTTORE KIT VALVE-GEAR BOX
DN [mm]	[inch]		EPDM	NBR	NBR CARBOX		
DN 40	1" 1/2	10-16	R385XE68	R385XN68	R385XC68	RF01070900	KCF052898
DN 50	2"	10-16	R385XE69	R385XN69	R385XC69	RF01070900	KCF052898
DN 65	2" 1/2	10-16	R385XE70	R385XN70	R385XC70	RF02071400	KCF074035
DN 80	3"	10-16	R385XE71	R385XN71	R385XC71	RF02071400	KCF074035
DN 100	4"	10-16	R385XE72	R385XN72	R385XC72	RF02071400	KCF074035
DN 125	5"	10-16	R385XE73	R385XN73	R385XC73	RF02071400	KCF052898
DN 150	6"	10-16	R385XE74	R385XN74	R385XC74	RF02071400	KCF052898
DN 200	8"	10	R385KE75	R385KN75	R385KC75	RF04122200	KCF124037
DN 250	10"	10	R385KE76	R385KN76	R385KC76	RF04122200	KCF124039
DN 300	12"	10	R385KE77	R385KN77	R385KC77	RF04122200	KCF124038
DN 200	8"	16	R385FE75	R385FN75	R385FC75	RF04122200	KCF124037
DN 250	10"	16	R385FE76	R385FN76	R385FC76	RF04122200	KCF124038
DN 300	12"	16	R385FE77	R385FN77	R385FC77	RF04122200	KCF124038

A richiesta
On request

CON RIDUTTORE - LENTE IN CF8M WITH GEAR BOX - CF8M DISC

MISURA SIZE		PN	TENUTA LINER							RIDUTTORE GEAR-BOX	KIT VALVOLA-RIDUTTORE KIT VALVE-GEAR BOX
DN [mm]	[inch]		EPDM	NBR	FKM	PTFE a richiesta on request	DVGW	NBR BIANCO WHITE NBR	NBR PER ACQUA NBR WATER		
DN 40	1" 1/2	10-16	R386XE68	R386XN68	R386XV68	R386XT68	R386XN68GA	R386XB68	R386XW68NF	RF01070900	KCF052898
DN 50	2"	10-16	R386XE69	R386XN69	R386XV69	R386XT69	R386XN69GA	R386XB69	R386XW69NF	RF01070900	KCF052898
DN 65	2" 1/2	10-16	R386XE70	R386XN70	R386XV70	R386XT70	R386XN70GA	R386XB70	R386XW70NF	RF02071400	KCF074035
DN 80	3"	10-16	R386XE71	R386XN71	R386XV71	R386XT71	R386XN71GA	R386XB71	R386XW71NF	RF02071400	KCF074035
DN 100	4"	10-16	R386XE72	R386XN72	R386XV72	R386XT72	R386XN72GA	R386XB72	R386XW72NF	RF02071400	KCF074035
DN 125	5"	10-16	R386XE73	R386XN73	R386XV73	R386XT73	R386XN73GA	R386XB73	R386XW73NF	RF02071400	KCF052898
DN 150	6"	10-16	R386XE74	R386XN74	R386XV74	R386XT74	R386XN74GA	R386XB74	R386XW74NF	RF02071400	KCF052898
DN 200	8"	10	R386KE75	R386KN75	R386KV75	R386KT75	R386KN75GA	R386KB75	R386KW75NF	RF04122200	KCF124037
DN 250	10"	10	R386KE76	R386KN76	R386KV76	R386KT76	R386KN76GA	R386KB76	R386KW76NF	RF04122200	KCF124039
DN 300	12"	10	R386KE77	R386KN77	R376KV77	R386KT77	R386KN77GA	R386KB77	R386KW77NF	RF04122200	KCF124038
DN 200	8"	16	R386FE75	R386FN75	R386FV75	R386FT75	R386FN75GA	R386FB75	R386FW75NF	RF04122200	KCF124037
DN 250	10"	16	R386FE76	R386FN76	R386FV76	R386FT76	R386FN76GA	R386FB76	R386FW76NF	RF04122200	KCF124038
DN 300	12"	16	R386FE77	R386FN77	R386FV77	R386FT77	R386FN77GA	R386FB77	R386FW77NF	RF04122200	KCF124038

A richiesta
On requestBUTTERFLY
VALVES

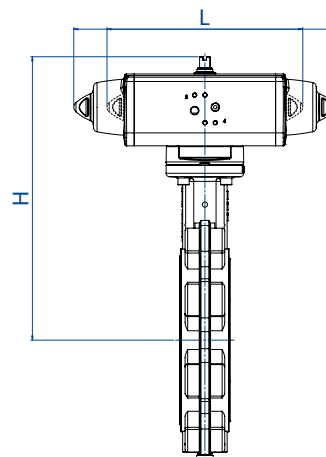
CON RIDUTTORE - LENTE IN BRONZO ALLUMINIO WITH GEAR BOX - BRONZE ALUMINIUM DISC

MISURA SIZE		PN	TENUTA LINER		RIDUTTORE GEAR-BOX	KIT VALVOLA-RIDUTTORE KIT VALVE-GEAR BOX
DN [mm]	[inch]		EPDM	NBR		
DN 40	1" 1/2	10-16	R387XE68	R387XN68	RF01070900	KCF052898
DN 50	2"	10-16	R387XE69	R387XN69	RF01070900	KCF052898
DN 65	2" 1/2	10-16	R387XE70	R387XN70	RF02071400	KCF074035
DN 80	3"	10-16	R387XE71	R387XN71	RF02071400	KCF074035
DN 100	4"	10-16	R387XE72	R387XN72	RF02071400	KCF074035
DN 125	5"	10-16	R387XE73	R387XN73	RF02071400	KCF052898
DN 150	6"	10-16	R387XE74	R387XN74	RF02071400	KCF052898
DN 200	8"	10	R387KE75	R387KN75	RF04122200	KCF124037
DN 250	10"	10	R387KE76	R387KN76	RF04122200	KCF124039
DN 300	12"	10	R387KE77	R387KN77	RF04122200	KCF124038
DN 200	8"	16	R387FE75	R387FN75	RF04122200	KCF124037
DN 250	10"	16	R387FE76	R387FN76	RF04122200	KCF124038
DN 300	12"	16	R387FE77	R387FN77	RF04122200	KCF124038

A richiesta
On request



ITEM 385
CORPO IN GHISA CAST IRON BODY
CON ATTUATORE PNEUMATICO WITH PNEUMATIC ACTUATOR



CON ATTUATORE PNEUMATICO DOPPIO EFFETTO - LENTE IN GHISA
WITH DOUBLE ACTING PNEUMATIC ACTUATOR - CAST IRON DISC

MISURA DN [mm]	SIZE [inch]	PN	TENUTA LINER			ATTUATORE ACTUATOR	L [mm]	H [mm]	Kg
			EPDM	NBR	NBR CARBOX				
DN 40	1" 1/2	10-16	DG385XE68	DG385XN68	DG385XC68	DAN0030411S	174,2	226,4	3,3
DN 50	2"	10-16	DG385XE69	DG385XN69	DG385XC69	DAN0030411S	174,2	241,4	4,2
DN 65	2" 1/2	10-16	DG385XE70	DG385XN70	DG385XC70	DAN0045412S	188,5	258,7	5,0
DN 80	3"	10-16	DG385XE71	DG385XN71	DG385XC71	DAN0045412S	188,5	265,5	6,2
DN 100	4"	10-16	DG385XE72	DG385XN72	DG385XC72	DAN0060412S	198	290,6	7,6
DN 125	5"	10-16	DG385XE73	DG385XN73	DG385XC73	DAN0106411S	237	316	10,6
DN 150	6"	10-16	DG385XE74	DG385XN74	DG385XC74	DAN0120411S	244,1	332,2	12,4
DN 200	8"	10	DG385KE75	DG385KN75	DG385KC75	DAN0180411S	289,9	397,7	21,5
DN 250	10"	10	DG385KE76	DG385KN76	DG385KC76	DAN0240411S	313,6	442,3	30,5
DN 300	12"	10	DG385KE77	DG385KN77	DG385KC77	DAN0360411S	339,3	487,2	46,9
DN 200	8"	16	DG385FE75	DG385FN75	DG385FC75	DAN0240411S	313,6	401,3	22,3
DN 250	10"	16	DG385FE76	DG385FN76	DG385FC76	DAN0360411S	339,3	449,2	31,6
DN 300	12"	16	DG385FE77	DG385FN77	DG385FC77	DAN0480411S	387,6	504,1	50,0

A richiesta
On request

CON ATTUATORE PNEUMATICO SEMPLICE EFFETTO - LENTE IN GHISA
WITH SPRING RETURN PNEUMATIC ACTUATOR - CAST IRON DISC

MISURA DN [mm]	SIZE [inch]	PN	TENUTA LINER			ATTUATORE ACTUATOR	L [mm]	H [mm]	Kg
			EPDM	NBR	NBR CARBOX				
DN 40	1" 1/2	10-16	SG385XE68	SG385XN68	SG385XC68	SRN0030402S	258,8	237,6	4,3
DN 50	2"	10-16	SG385XE69	SG385XN69	SG385XC69	SRN0030402S	258,8	252,6	5,2
DN 65	2" 1/2	10-16	SG385XE70	SG385XN70	SG385XC70	SRN0053401S	304,2	277,5	6,6
DN 80	3"	10-16	SG385XE71	SG385XN71	SG385XC71	SRN0053401S	304,2	284,5	7,8
DN 100	4"	10-16	SG385XE72	SG385XN72	SG385XC72	SRN0060401S	338,5	307,2	8,6
DN 125	5"	10-16	SG385XE73	SG385XN73	SG385XC73	SRN0090401S	393,7	350,2	13,2
DN 150	6"	10-16	SG385XE74	SG385XN74	SG385XC74	SRN0120401S	409,6	366,3	15,5
DN 200	8"	10	SG385KE75	SG385KN75	SG385KC75	SRN0180401S	474	408,2	25,8
DN 250	10"	10	SG385KE76	SG385KN76	SG385KC76	SRN0240401S	520,5	466,2	36,9
DN 300	12"	10	SG385KE77	SG385KN77	SG385KC77	SRN0360401S	613	517,2	56,9
DN 200	8"	16	SG385FE75	SG385FN75	SG385FC75	SRN0240401S	520,4	425,2	28,7
DN 250	10"	16	SG385FE76	SG385FN76	SG385FC76	SRN0360401S	613	479,2	41,6
DN 300	12"	16	SG385FE77	SG385FN77	SG385FC77	SRN0480401S	648,2	537,2	63,1

A richiesta
On request

Dimensionamento degli attuatori pneumatici fatto considerando una pressione minima di alimentazione pari a 5,6 barg.
 Sizing of pneumatic actuators by minimum pressure rate 5,6 barg.

ATEX: Per la versione ATEX aggiungere "YX" alla fine del codice.
ATEX: Please add "YX" at the end of the code for the ATEX version.



ITEM 386

CORPO IN GHISA CAST IRON BODY

CON ATTUATORE PNEUMATICO WITH PNEUMATIC ACTUATOR



CON ATTUATORE PNEUMATICO DOPPIO EFFETTO - LENTE IN CF8M WITH DOUBLE ACTING PNEUMATIC ACTUATOR - CF8M DISC

MISURA DN [mm]	SIZE [inch]	PN	TENUTA LINER				ATTUATORE ACTUATOR	TENUTA LINER			ATTUATORE ACTUATOR	L [mm]	H [mm]	Kg	
			EPDM	NBR	FKM	DVGW		PTFE on request	NBR BIANCO WHITE NBR	NBR PER ACQUA NBR WATER					
DN 40	1" 1/2	10-16	DG386XE68	DG386XN68	DG386XV68	DG386XN68GA	DAN0030411S	DG386XT68	DG386XB68	DG386XW68NF	DAN0030421S	174,2	226,4	3,3	
DN 50	2"	10-16	DG386XE69	DG386XN69	DG386XV69	DG386XN69GA	DAN0030411S	DG386XT69	DG386XB69	DG386XW69NF	DAN0030421S	174,2	241,4	4,2	
DN 65	2" 1/2	10-16	DG386XE70	DG386XN70	DG386XV70	DG386XN70GA	DAN0045412S	DG386XT70	DG386XB70	DG386XW70NF	DAN0045422S	188,5	258,7	5,0	
DN 80	3"	10-16	DG386XE71	DG386XN71	DG386XV71	DG386XN71GA	DAN0045412S	DG386XT71	DG386XB71	DG386XW71NF	DAN0045422S	188,5	265,5	6,2	
DN 100	4"	10-16	DG386XE72	DG386XN72	DG386XV72	DG386XN72GA	DAN0060412S	DG386XT72	DG386XB72	DG386XW72NF	DAN0060422S	198	290,6	7,6	
DN 125	5"	10-16	DG386XE73	DG386XN73	DG386XV73	DG386XN73GA	DAN0106411S	DG386XT73	DG386XB73	DG386XW73NF	DAN0106411S	237	316	10,6	
DN 150	6"	10-16	DG386XE74	DG386XN74	DG386XV74	DG386XN74GA	DAN0120411S	DG386XT74	DG386XB74	DG386XW74NF	DAN0120411S	244,1	332,2	12,4	
DN 200	8"	10	DG386KE75	DG386KN75	DG386KV75	DG386KN75GA	DAN0180411S	DG386KT75*	DG386KB75	DG386KW75NF	DAN0180411S	289,9	397,7	21,5	
DN 250	10"	10	DG386KE76	DG386KN76	DG386KV76	DG386KN76GA	DAN0240411S	DG386KT76*	DG386KB76	DG386KW76NF	DAN0240411S	313,6	442,3	30,5	
DN 300	12"	10	DG386KE77	DG386KN77	DG386KV77	DG386KN77GA	DAN0360411S	DG386KT77*	DG386KB77	DG386KW77NF	DAN0360411S	339,3	487,2	46,9	
A richiesta On request	DN 200	8"	16	DG386FE75	DG386FN75	DG386FV75	DG386FN75GA	DAN0240411S	DG386FT75	DG386FB75	DG386FW75NF	DAN0240411S	313,6	401,3	22,3
	DN 250	10"	16	DG386FE76	DG386FN76	DG386FV76	DG386FN76GA	DAN0360411S	DG386FT76	DG386FB76	DG386FW76NF	DAN0360411S	339,3	449,2	31,6
	DN 300	12"	16	DG386FE77	DG386FN77	DG386FV77	DG386FN77GA	DAN0480411S	DG386FT77	DG386FB77	DG386FW77NF	DAN0480411S	387,6	504,1	50,0

CON ATTUATORE PNEUMATICO SEMPLICE EFFETTO - LENTE IN CF8M WITH SPRING RETURN PNEUMATIC ACTUATOR - CF8M DISC

MISURA DN [mm]	SIZE [inch]	PN	TENUTA LINER					ATTUATORE ACTUATOR	L [mm]	H [mm]	Kg			
			EPDM	NBR	FKM	PTFE on request	DVGW					NBR BIANCO WHITE NBR	NBR PER ACQUA NBR WATER	
DN 40	1" 1/2	10-16	SG386XE68	SG386XN68	SG386XV68	SG386XT68	SG386XN68GA	SG386XB68	SG386XW68NF	SRN0030402S	258,8	237,6	4,3	
DN 50	2"	10-16	SG386XE69	SG386XN69	SG386XV69	SG386XT69	SG386XN69GA	SG386XB69	SG386XW69NF	SRN0030402S	258,8	252,6	5,2	
DN 65	2" 1/2	10-16	SG386XE70	SG386XN70	SG386XV70	SG386XT70	SG386XN70GA	SG386XB70	SG386XW70NF	SRN0053401S	304,2	277,5	6,6	
DN 80	3"	10-16	SG386XE71	SG386XN71	SG386XV71	SG386XT71	SG386XN71GA	SG386XB71	SG386XW71NF	SRN0053401S	304,2	284,5	7,8	
DN 100	4"	10-16	SG386XE72	SG386XN72	SG386XV72	SG386XT72	SG386XN72GA	SG386XB72	SG386XW72NF	SRN0060401S	338,5	307,2	8,6	
DN 125	5"	10-16	SG386XE73	SG386XN73	SG386XV73	SG386XT73	SG386XN73GA	SG386XB73	SG386XW73NF	SRN0090401S	393,7	350,2	13,2	
DN 150	6"	10-16	SG386XE74	SG386XN74	SG386XV74	SG386XT74	SG386XN74GA	SG386XB74	SG386XW74NF	SRN0120401S	409,6	366,3	15,5	
DN 200	8"	10	SG386KE75	SG386KN75	SG386KV75	SG386KT75*	SG386KN75GA	SG386KB75	SG386KW75NF	SRN0180401S	474	408,2	25,8	
DN 250	10"	10	SG386KE76	SG386KN76	SG386KV76	SG386KT76*	SG386KN76GA	SG386KB76	SG386KW76NF	SRN0240401S	520,5	466,2	36,9	
DN 300	12"	10	SG386KE77	SG386KN77	SG386KV77	SG386KT77*	SG386KN77GA	SG386KB77	SG386KW77NF	SRN0360401S	613	517,2	56,9	
A richiesta On request	DN 200	8"	16	SG386FE75	SG386FN75	SG386FV75	SG386FT75	SG386FN75GA	SG386FB75	SG386FW75NF	SRN0240401S	520,4	425,2	28,7
	DN 250	10"	16	SG386FE76	SG386FN76	SG386FV76	SG386FT76	SG386FN76GA	SG386FB76	SG386FW76NF	SRN0360401S	613	479,2	41,6
	DN 300	12"	16	SG386FE77	SG386FN77	SG386FV77	SG386FT77	SG386FN77GA	SG386FB77	SG386FW77NF	SRN0480401S	648,2	537,2	63,1

(*) : Gli attuatori per queste valvole sono i medesimi delle valvole versione PN16. (*) The actuators for these valves are the same as the PN16 version.

Dimensionamento degli attuatori pneumatici fatto considerando una pressione minima di alimentazione pari a 5,6 barg. Sizing of pneumatic actuators by minimum pressure rate 5,6 barg.

ATEX: Per la versione ATEX aggiungere "YX" alla fine del codice. ATEX: Please add "YX" at the end of the code for the ATEX version.



ITEM 387
CORPO IN GHISA CAST IRON BODY
CON ATTUATORE PNEUMATICO WITH PNEUMATIC ACTUATOR



CON ATTUATORE PNEUMATICO DOPPIO EFFETTO - LENTE IN BRONZO ALLUMINIO
WITH DOUBLE ACTING PNEUMATIC ACTUATOR - BRONZE ALUMINIUM DISC

MISURA SIZE		PN	TENUTA LINER		ATTUATORE ACTUATOR	L [mm]	H [mm]	Kg
DN [mm]	[inch]		EPDM	NBR				
DN 40	1" 1/2	10-16	DG387XE68	DG387XN68	DAN0030411S	174,2	226,4	3,3
DN 50	2"	10-16	DG387XE69	DG387XN69	DAN0030411S	174,2	241,4	4,2
DN 65	2" 1/2	10-16	DG387XE70	DG387XN70	DAN0045412S	188,5	258,7	5,0
DN 80	3"	10-16	DG387XE71	DG387XN71	DAN0045412S	188,5	265,5	6,2
DN 100	4"	10-16	DG387XE72	DG387XN72	DAN0060412S	198	290,6	7,6
DN 125	5"	10-16	DG387XE73	DG387XN73	DAN0106411S	237	316	10,6
DN 150	6"	10-16	DG387XE74	DG387XN74	DAN0120411S	244,1	332,2	12,4
DN 200	8"	10	DG387KE75	DG387KN75	DAN0180411S	289,9	397,7	21,5
DN 250	10"	10	DG387KE76	DG387KN76	DAN0240411S	313,6	442,3	30,5
DN 300	12"	10	DG387KE77	DG387KN77	DAN0360411S	339,3	487,2	46,9
DN 200	8"	16	DG387FE75	DG387FN75	DAN0240411S	313,6	401,3	22,3
DN 250	10"	16	DG387FE76	DG387FN76	DAN0360411S	339,3	449,2	31,6
DN 300	12"	16	DG387FE77	DG387FN77	DAN0480411S	387,6	504,1	50,0

A richiesta
On request

CON ATTUATORE PNEUMATICO SEMPLICE EFFETTO - LENTE IN BRONZO ALLUMINIO
WITH SPRING RETURN PNEUMATIC ACTUATOR - BRONZE ALUMINIUM DISC

MISURA SIZE		PN	TENUTA LINER		ATTUATORE ACTUATOR	L [mm]	H [mm]	Kg
DN [mm]	[inch]		EPDM	NBR				
DN 40	1" 1/2	10-16	SG387XE68	SG387XN68	SRN0030402S	258,8	237,6	4,3
DN 50	2"	10-16	SG387XE69	SG387XN69	SRN0030402S	258,8	252,6	5,2
DN 65	2" 1/2	10-16	SG387XE70	SG387XN70	SRN0053401S	304,2	277,5	6,6
DN 80	3"	10-16	SG387XE71	SG387XN71	SRN0053401S	304,2	284,5	7,8
DN 100	4"	10-16	SG387XE72	SG387XN72	SRN0060401S	338,5	307,2	8,6
DN 125	5"	10-16	SG387XE73	SG387XN73	SRN0090401S	393,7	350,2	13,2
DN 150	6"	10-16	SG387XE74	SG387XN74	SRN0120401S	409,6	366,3	15,5
DN 200	8"	10	SG387KE75	SG387KN75	SRN0180401S	474	408,2	25,8
DN 250	10"	10	SG387KE76	SG387KN76	SRN0240401S	520,5	466,2	36,9
DN 300	12"	10	SG387KE77	SG387KN77	SRN0360401S	613	517,2	56,9
DN 200	8"	16	SG387FE75	SG387FN75	SRN0240401S	520,4	425,2	28,7
DN 250	10"	16	SG387FE76	SG387FN76	SRN0360401S	613	479,2	41,6
DN 300	12"	16	SG387FE77	SG387FN77	SRN0480401S	648,2	537,2	63,1

A richiesta
On request

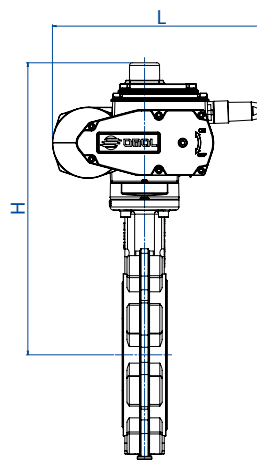
Dimensionamento degli attuatori pneumatici fatto considerando una pressione minima di alimentazione pari a 5,6 barg.
 Sizing of pneumatic actuators by minimum pressure rate 5,6 barg.

ATEX: Per la versione ATEX aggiungere "YX" alla fine del codice.
ATEX: Please add "YX" at the end of the code for the ATEX version.



ITEM 385

CORPO IN GHISA CAST IRON BODY CON ATTUATORE ELETTRICO WITH ELECTRIC ACTUATOR



CON ATTUATORE ELETTRICO ON-OFF - LENTE IN GHISA WITH ON-OFF ELECTRIC ACTUATOR - CAST IRON DISC

MISURA SIZE		PN	TENUTA LINER			ATTUATORE ACTUATOR	L [mm]	H [mm]	Kg
DN [mm]	[inch]		EPDM	NBR	NBR CARBOX				
DN 40	1" 1/2	10-16	C385EA5E68	C385NA5E68	C385CA5E68	EA0035A5C000	250	284	6
DN 50	2"	10-16	C385EA5E69	C385NA5E69	C385CA5E69	EA0035A5C000	250	299	6,9
DN 65	2" 1/2	10-16	C385EA5E70	C385NA5E70	C385CA5E70	EA0035A5C000	250	311	7,6
DN 80	3"	10-16	C385EA5E71	C385NA5E71	C385CA5E71	EA0035A5C000	250	318	8,8
DN 100	4"	10-16	C385EA5G72	C385NA5G72	C385CA5G72	EA0070A5C000	250	337	10,2
DN 125	5"	10-16	C385EA5I73	C385NA5I73	C385CA5I73	EA0130A5C000	280	370	12,2
DN 150	6"	10-16	C385EA5I74	C385NA5I74	C385CA5I74	EA0130A5C000	280	383	18
DN 200	8"	10	C385EA5K75	C385NA5K75	C385CA5K75	EA0240A5C000	280	418	24,4
DN 250	10"	10	C385EA5K76	C385NA5K76	C385CA5K76	EA0240A5C000	280	457	30,9
DN 300	12"	10	E385EK16N77	E385NK16N77	E385CK16N77	AE160040	256	524	42
DN 200	8"	16	C385EA5K75	C385NA5K75	C385CA5K75	EA0240A5C000	280	418	24,4
DN 250	10"	16	E385EF16N76	E385NF16N76	E385CF16N76	AE160040	256	486	33,2
DN 300	12"	16	E385EF16R77	E385NF16R77	E385CF16R77	AE160060	381	573	60,9

Architesta
On request

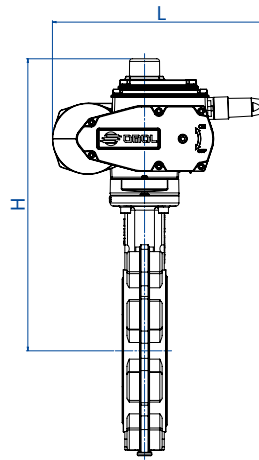
CON ATTUATORE ELETTRICO MODULANTE - LENTE IN GHISA WITH ROTARY MODULAR TYPE ELECTRIC ACTUATOR - CAST IRON DISC

MISURA SIZE		PN	TENUTA LINER			ATTUATORE ACTUATOR	L [mm]	H [mm]	Kg
DN [mm]	[inch]		EPDM	NBR	NBR CARBOX				
DN 40	1" 1/2	10-16	M385E16F68	M385N16F68	M385C16F68	AM160005	208	311	6,6
DN 50	2"	10-16	M385E16F69	M385N16F69	M385C16F69	AM160005	208	326	7,5
DN 65	2" 1/2	10-16	M385E16F70	M385N16F70	M385C16F70	AM160005	208	338	8,3
DN 80	3"	10-16	M385E16F71	M385N16F71	M385C16F71	AM160005	208	345	9,5
DN 100	4"	10-16	M385E16H72	M385N16H72	M385C16H72	AM160010	208	364	10,8
DN 125	5"	10-16	M385E16H73	M385N16H73	M385C16H73	AM160010	208	376	12,9
DN 150	6"	10-16	M385E16L74	M385N16L74	M385C16L74	AM160020	257	410	18,6
DN 200	8"	10	M385EK16L75	M385NK16L75	M385CK16L75	AM160020	257	445	25
DN 250	10"	10	M385EK16N76	M385NK16N76	M385CK16N76	AM160040	257	486	32
DN 300	12"	10	M385EK16N77	M385NK16N77	M385CK16N77	AM160040	257	524	41,6
DN 200	8"	16	M385EF16L75	M385NF16L75	M385CF16L75	AM160020	257	445	25
DN 250	10"	16	M385EF16N76	M385NF16N76	M385CF16N76	AM160040	257	486	32
DN 300	12"	16	M385EF16P77	M385NF16P77	M385CF16P77	AM160050	381	573	63,2

Architesta
On request



ITEM 386 CORPO IN GHISA CAST IRON BODY CON ATTUATORE ELETTRICO WITH ELECTRIC ACTUATOR



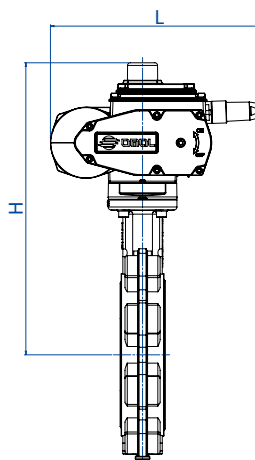
CON ATTUATORE ELETTRICO ON-OFF - LENTE IN CF8M WITH ON-OFF ELECTRIC ACTUATOR - CF8M DISC

MISURA SIZE		PN	TENUTA LINER							NBR BIANCO WHITE NBR	NBR PER ACQUA NBR WATER	ATTUATORE ACTUATOR	L [mm]	H [mm]	Kg
DN [mm]	[inch]		EPDM	NBR	FKM	PTFE on request	DVGW								
DN 40	1" 1/2	10-16	C386EA5E68	C386NA5E68	C386VA5E68	C386TA5E68	C386NA5E68GA	C386BA5E68	C386WA5E68NF	EA0035A5C000	250	284	6		
DN 50	2"	10-16	C386EA5E69	C386NA5E69	C386VA5E69	C386TA5E69	C386NA5E69GA	C386BA5E69	C386WA5E69NF	EA0035A5C000	250	299	6,9		
DN 65	2" 1/2	10-16	C386EA5E70	C386NA5E70	C386VA5E70	C386TA5E70	C386NA5E70GA	C386BA5E70	C386WA5E70NF	EA0035A5C000	250	311	7,6		
DN 80	3"	10-16	C386EA5E71	C386NA5E71	C386VA5E71	C386TA5E71	C386NA5E71GA	C386BA5E71	C386WA5E71NF	EA0035A5C000	250	318	8,8		
DN 100	4"	10-16	C386EA5G72	C386NA5G72	C386VA5G72	C386TA5G72	C386NA5G72GA	C386BA5G72	C386WA5G72NF	EA0070A5C000	250	337	10,2		
DN 125	5"	10-16	C386EA5I73	C386NA5I73	C386VA5I73	C386TA5I73	C386NA5I73GA	C386BA5I73	C386WA5I73NF	EA0130A5C000	280	370	12,2		
DN 150	6"	10-16	C386EA5I74	C386NA5I74	C386VA5I74	C386TA5I74	C386NA5I74GA	C386BA5I74	C386WA5I74NF	EA0130A5C000	280	383	18		
DN 200	8"	10	C386EKA5K75	C386NKA5K75	C386VKA5K75	C386TKA5K75	C386NKA5K75GA	C386BKA5K75	C386WKA5K75NF	EA0240A5C000	280	418	24,4		
DN 250	10"	10	C386EKA5K76	C386NKA5K76	C386VKA5K76	E386TK16N76*	C386NKA5K76GA	C386BKA5K76	C386WKA5K76NF	EA0240A5C000	280	457	30,9		
DN 300	12"	10	E386EK16N77	E386NK16N77	E386VK16N77	E386TK16R77*	E386NK16N77GA	E386BK16N77	E386WK16N77NF	AE160040	256	524	42		
Archiata On request	DN 200	8"	16	C386EFA5K75	C386NFA5K75	C386VFA5K75	C386TFA5K75	C386NFA5K75GA	C386WFA5K75NF	EA0240A5C000	280	418	24,4		
	DN 250	10"	16	E386EF16N76	E386NF16N76	E386VF16N76	E386TF16N76	E386NF16N76GA	E386WF16N76NF	AE160040	256	486	33,2		
	DN 300	12"	16	E386EF16R77	E386NF16R77	E386VF16R77	E386TF16R77	E386NF16R77GA	E386WF16R77NF	AE160060	381	573	60,9		

CON ATTUATORE ELETTRICO MODULANTE - LENTE IN CF8M WITH ROTARY MODULAR TYPE ELECTRIC ACTUATOR - CF8M DISC

MISURA SIZE		PN	TENUTA LINER							NBR BIANCO WHITE NBR	NBR PER ACQUA NBR WATER	ATTUATORE ACTUATOR	L [mm]	H [mm]	Kg
DN [mm]	[inch]		EPDM	NBR	FKM	PTFE on request	DVGW								
DN 40	1" 1/2	10-16	M386E16F68	M386N16F68	M386V16F68	M386T16F68	M386N16F68GA	M386B16F68	M386W16F68NF	AM160005	208	311	6,6		
DN 50	2"	10-16	M386E16F69	M386N16F69	M386V16F69	M386T16F69	M386N16F69GA	M386B16F69	M386W16F69NF	AM160005	208	326	7,5		
DN 65	2" 1/2	10-16	M386E16F70	M386N16F70	M386V16F70	M386T16F70	M386N16F70GA	M386B16F70	M386W16F70NF	AM160005	208	338	8,3		
DN 80	3"	10-16	M386E16F71	M386N16F71	M386V16F71	M386T16F71	M386N16F71GA	M386B16F71	M386W16F71NF	AM160005	208	345	9,5		
DN 100	4"	10-16	M386E16H72	M386N16H72	M386V16H72	M386T16H72	M386N16H72GA	M386B16H72	M386W16H72NF	AM160010	208	364	10,8		
DN 125	5"	10-16	M386E16H73	M386N16H73	M386V16H73	M386T16H73	M386N16H73GA	M386B16H73	M386W16H73NF	AM160010	208	376	12,9		
DN 150	6"	10-16	M386E16L74	M386N16L74	M386V16L74	M386T16L74	M386N16L74GA	M386B16L74	M386W16L74NF	AM160020	257	410	18,6		
DN 200	8"	10	M386EK16L75	M386NK16L75	M386VK16L75	M386TK16L75	M386NK16L75GA	M386BK16L75	M386WK16L75NF	AM160020	257	445	25		
DN 250	10"	10	M386EK16N76	M386NK16N76	M386VK16N76	M386TK16N76	M386NK16N76GA	M386BK16N76	M386WK16N76NF	AM160040	257	486	32		
DN 300	12"	10	M386EK16N77	M386NK16N77	M386VK16N77	M386TK16P77*	M386NK16N77GA	M386BK16N77	M386WK16N77NF	AM160040	257	524	41,6		
Archiata On request	DN 200	8"	16	M386EF16L75	M386NF16L75	M386VF16L75	M386TF16L75	M386NF16L75GA	M386WF16L75NF	AM160020	257	445	25		
	DN 250	10"	16	M386EF16N76	M386NF16N76	M386VF16N76	M386TF16N76	M386NF16N76GA	M386WF16N76NF	AM160040	257	486	32		
	DN 300	12"	16	M386EF16P77	M386NF16P77	M386VF16P77	M386TF16P77	M386NF16P77GA	M386WF16P77NF	AM160050	381	573	63,2		

(*) : Gli attuatori per queste valvole sono i medesimi delle valvole versione PN16. (*) The actuators for these valves are the same as the PN16 version.
Codici con attuatore elettrico 230 Vac. Items with electric actuator 230 Vac.

**ITEM 387****CORPO IN GHISA CAST IRON BODY****CON ATTUATORE ELETTRICO WITH ELECTRIC ACTUATOR**
CON ATTUATORE ELETTRICO ON-OFF - LENTE IN BRONZO ALLUMINIO
WITH ON-OFF ELECTRIC ACTUATOR - BRONZE ALUMINIUM DISC

MISURA SIZE		PN	TENUTA LINER		ATTUATORE ACTUATOR	L [mm]	H [mm]	Kg
DN [mm]	[inch]		EPDM	NBR				
DN 40	1" 1/2	10-16	C387EA5E68	C387NA5E68	EA0035A5C000	250	284	6
DN 50	2"	10-16	C387EA5E69	C387NA5E69	EA0035A5C000	250	299	6,9
DN 65	2" 1/2	10-16	C387EA5E70	C387NA5E70	EA0035A5C000	250	311	7,6
DN 80	3"	10-16	C387EA5E71	C387NA5E71	EA0035A5C000	250	318	8,8
DN 100	4"	10-16	C387EA5G72	C387NA5G72	EA0070A5C000	250	337	10,2
DN 125	5"	10-16	C387EA5I73	C387NA5I73	EA0130A5C000	280	370	12,2
DN 150	6"	10-16	C387EA5I74	C387NA5I74	EA0130A5C000	280	383	18
DN 200	8"	10	C387EKA5K75	C387NKA5K75	EA0240A5C000	280	418	24,4
DN 250	10"	10	C387EKA5K76	C387NKA5K76	EA0240A5C000	280	457	30,9
DN 300	12"	10	E387EK16N77	E387NK16N77	AE160040	256	524	42
DN 200	8"	16	C387EFA5K75	C387NFA5K75	EA0240A5C000	280	418	24,4
DN 250	10"	16	E387EF16N76	E387NF16N76	AE160040	256	486	33,2
DN 300	12"	16	E387EF16R77	E387NF16R77	AE160060	381	573	60,9

A richiesta
On request
CON ATTUATORE ELETTRICO MODULANTE - LENTE IN BRONZO ALLUMINIO
WITH ROTARY MODULAR TYPE ELECTRIC ACTUATOR - BRONZE ALUMINIUM DISC

MISURA SIZE		PN	TENUTA LINER		ATTUATORE ACTUATOR	L [mm]	H [mm]	Kg
DN [mm]	[inch]		EPDM	NBR				
DN 40	1" 1/2	10-16	M387E16F68	M387N16F68	AM160005	208	311	6,6
DN 50	2"	10-16	M387E16F69	M387N16F69	AM160005	208	326	7,5
DN 65	2" 1/2	10-16	M387E16F70	M387N16F70	AM160005	208	338	8,3
DN 80	3"	10-16	M387E16F71	M387N16F71	AM160005	208	345	9,5
DN 100	4"	10-16	M387E16H72	M387N16H72	AM160010	208	364	10,8
DN 125	5"	10-16	M387E16H73	M387N16H73	AM160010	208	376	12,9
DN 150	6"	10-16	M387E16L74	M387N16L74	AM160020	257	410	18,6
DN 200	8"	10	M387EK16L75	M387NK16L75	AM160020	257	445	25
DN 250	10"	10	M387EK16N76	M387NK16N76	AM160040	257	486	32
DN 300	12"	10	M387EK16N77	M387NK16N77	AM160040	257	524	41,6
DN 200	8"	16	M387EF16L75	M387NF16L75	AM160020	257	445	25
DN 250	10"	16	M387EF16N76	M387NF16N76	AM160040	257	486	32
DN 300	12"	16	M387EF16P77	M387NF16P77	AM160050	381	573	63,2

A richiesta
On request



ITEM 385-386-387

KIT GUARNIZIONI *SEALS KIT*

MISURA <i>SIZE</i>		PN	TENUTA <i>LINER</i>					
DN [mm]	[inch]		EPDM	NBR	FKM	NBR BIANCO <i>WHITE NBR</i>	NBR CARBOX	DVGW
DN 40	1" 1/2	10-16	KGFE0068	KGFN0068	KGFE0068	KGFA0068	KGFC0068	KGFG0068
DN 50	2"	10-16	KGFE0069	KGFN0069	KGFE0069	KGFA0069	KGFC0069	KGFG0069
DN 65	2" 1/2	10-16	KGFE0070	KGFN0070	KGFE0070	KGFA0070	KGFC0070	KGFG0070
DN 80	3"	10-16	KGFE0071	KGFN0071	KGFE0071	KGFA0071	KGFC0071	KGFG0071
DN 100	4"	10-16	KGFE0072	KGFN0072	KGFE0072	KGFA0072	KGFC0072	KGFG0072
DN 125	5"	10-16	KGFE0073	KGFN0073	KGFE0073	KGFA0073	KGFC0073	KGFG0073
DN 150	6"	10-16	KGFE0074	KGFN0074	KGFE0074	KGFA0074	KGFC0074	KGFG0074
DN 200	8"	10	KGFE0075	KGFN0075	KGFE0075	KGFA0075	KGFC0075	KGFG0075
DN 250	10"	10	KGFE0076	KGFN0076	KGFE0076	KGFA0076	KGFC0076	KGFG0076
DN 300	12"	10	KGFE0077	KGFN0077	KGFE0077	KGFA0077	KGFC0077	KGFG0077
DN 200	8"	16	KGFE0075	KGFN0075	KGFE0075	KGFA0075	KGFC0075	KGFG0075
DN 250	10"	16	KGFE0076	KGFN0076	KGFE0076	KGFA0076	KGFC0076	KGFG0076
DN 300	12"	16	KGFE0077	KGFN0077	KGFE0077	KGFA0077	KGFC0077	KGFG0077



ITEM 385-386-387

KIT CONNESSIONE VALVOLA-ATTUATORE VALVE-ACTUATOR CONNECTION KIT

KIT DI CONNESSIONE VALVOLA-ATTUATORE VALVE-ACTUATOR CONNECTION KIT					
MISURA DN [mm]	SIZE [inch]	PN	ATTUATORE ACTUATOR	KIT DI CONNESSIONE CONNECTION KIT	KIT DI CONNESSIONE valvola con TENUTA IN PTFE CONNECTION KIT valve with PTFE LINER
DN 40	1" 1/2		10-16	DAN0030411S	KCF042895
		SRN0030402S		KCF052925	KCF055004
		EA0035A5C000		KCF052925	KCF052925
		AM160005		KCE282926	KCE282926
DN 50	2"	10-16	DAN0030411S	KCF042895	KCF045003
			SRN0030402S	KCF052925	KCF055004
			EA0035A5C000	KCF052925	KCF052925
			AM160005	KCE282926	KCE282926
DN 65	2" 1/2	10-16	DAN0045412S	KCF042896	KCF044988
			SRN0053401S	KCF072949	KCF075005
			EA0035A5C000	KCF052897	KCF052897
			AM160005	KCE282927	KCE282927
DN 80	3"	10-16	DAN0045412S	KCF042896	KCF044988
			SRN0053401S	KCF072949	KCF075005
			EA0035A5C000	KCF052897	KCF052897
			AM160005	KCE282927	KCE282927
DN 100	4"	10-16	DAN0060412S	KCF052897	KCF054991
			SRN0060401S	KCF072949	KCF075005
			EA0070A5C000	KCF052897	KCF052897
			AM160010	KCE282927	KCE282927
DN 125	5"	10-16	DAN0106411S	KCF072899	KCF074994
			SRN0090401S	KCF105415	KCF105006
			EA0130A5C000	KCF072899	KCF072899
			AM160010	KCE282928	KCE282928
DN 150	6"	10-16	DAN0120411S	KCF072899	KCF074994
			SRN0120401S	KCF105415	KCF105006
			EA0130A5C000	KCF072899	KCF072899
			AM160020	KCE362929	KCE362929

DN 200	8"	10	DAN0180411S	KCF102900
			SRN0180401S	KCF102900
			EA0240A5C000	KCF102900
			AM160020	KCE362930
DN 250	10"	10	DAN0240411S	KCF103034
			SRN0240401S	KCF125416
			EA0240A5C000	KCF103034
			AM160040	KCE362930
DN 300	12"	10	DAN0360411S	KCF102901
			SRN0360401S	KCF122902
			AE160040	KCE362931
			AM160040	KCE362931

ATTUATORE MAGGIORATO valvola con TENUTA IN PTFE BIGGER SIZE ACTUATOR valve with PTFE LINER	KIT DI CONNESSIONE valvola con TENUTA IN PTFE CONNECTION KIT valve with PTFE LINER
DAN0240411S	KCF104998
SRN0240401S	KCF125532
EA0240A5C000	KCF102900
AM160020	KCE362930
DAN0360411S	KCF104998
SRN0360401S	KCF125555
AE160040	KCE363035
AM160040	KCE363035
DAN0480411S	KCF124997
SRN0480401S	KCF125533
AE160060	KCE562932
AM160050	KCE562932

DN 200	8"	16	DAN0240411S	KCF102900	KCF104998
			SRN0240401S	KCF123367	KCF125532
			EA0240A5C000	KCF102900	KCF102900
			AM160020	KCE362930	KCE362930
DN 250	10"	16	DAN0360411S	KCF102901	KCF104995
			SRN0360401S	KCF122902	KCF124997
			AE160040	KCE362931	KCE362931
			AM160040	KCE362931	KCE362931
DN 300	12"	16	DAN0480411S	KCF122902	KCF124997
			SRN0480401S	KCF145417	KCF125533
			AE160060	KCE562932	KCE562932
			AM160050	KCE562932	KCE562932



ITEM 270-474

VALVOLA A FARFALLA "METALLO-METALLO" PER MONTAGGIO TRA FLANGE TIPO "WAFER"

BUTTERFLY VALVE "METAL-METAL" FOR MOUNTING BETWEEN FLANGES, "WAFER" TYPE

ITEM 270

Corpo: Ghisa
Lente: Ghisa*

ITEM 474

Corpo: CF8M
Lente: CF8M



ITEM 270

Body: Cast iron
Butterfly: Cast iron*

ITEM 474

Body: CF8M
Butterfly: CF8M

ESECUZIONI STANDARD:

- **Valvola serie 270: corpo e lente in ghisa.***
- **Valvola serie 474: corpo e lente in CF8M.**
- Gamma disponibile: dal DN 40 al DN 200 (altre misure a richiesta);
PN10 - PN16 - ANSI 150.
- Flangiatura standard: PN10 - PN16 - ANSI 150.
- Ingombri da faccia a faccia normalizzati ISO 5752.
- Testa della valvola normalizzata ISO 5211.
- La valvola con tenuta metallo-metallo é stata studiata per l'intercettazione di gas di scarico, fumi di forni industriali, in impianti di cogenerazione: da -15°C a +180°C versione ghisa;
da -50°C a +180°C versione CF8M;
- Pressione di utilizzo: PN 16 bar per DN 40÷200.
- **La tenuta di questa valvola contiene le perdite entro un valore stimato di 1,5-2%.**

* CF8M per le valvole fino al DN100 compreso.

ESECUZIONI A RICHIESTA:

- Versioni dal DN 40 al DN 600: ghisa -15°C/+400°C, CF8M -50°C/+600°C.
- Per ulteriori informazioni contattare il nostro ufficio commerciale.

CERTIFICAZIONI:

- Configurazione ATEX 2014/34/UE da richiedere in fase d'ordine.

STANDARD EXECUTIONS:

- **Valve type 270: body and butterfly in cast iron.***
- **Valve type 474: body and butterfly in CF8M.**
- Available range: from DA 40 to DN 200 (other sizes on request);
PN10 - PN16 - ANSI 150.
- Standard flanges: PN10 - PN16 - ANSI 150.
- Face to face as per ISO 5752.
- Head valve as per ISO 5211.
- The metal-metal valve is suitable for exhaust gases, industrial ovens, fume outlets, cogeneration plants: from -15°C to +180°C cast iron type;
from -50°C to +180°C CF8M type;
- Working pressure: PN 16 bar for DN 40÷200.
- **Valve leakage approximately 1,5-2%.**

* CF8M for valve up to and including DN100.

ON REQUEST:

- Version from DN 40 to DN 600: cast iron -15°C/+400°C, CF8M -50°C/+600°C.
- For further information, please contact our sales department.

CERTIFICATIONS:

- 2014/34/EU ATEX configuration to request at time of order.



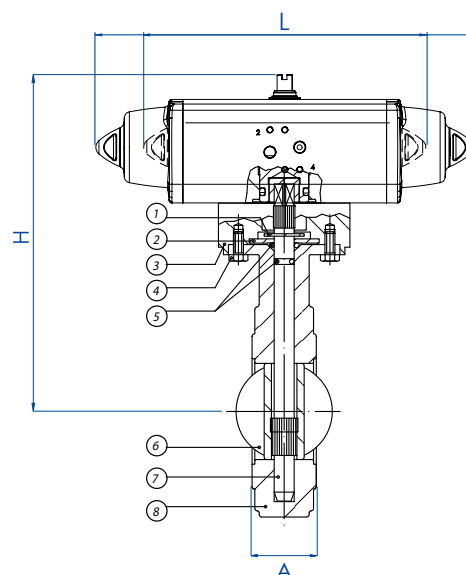
ITEM 270-474

ASSE LIBERO - CON LEVA - CON RIDUTTORE FREE SHAFT - WITH LEVER - WITH GEAR BOX

MISURA SIZE		ASSE LIBERO FREE SHAFT			CON LEVA WITH LEVER			CON RIDUTTORE WITH GEAR BOX		
DN [mm]	[inch]	Asse libero Free shaft 270	Asse libero Free shaft 474	Kg	Con leva With lever 270	Con leva With lever 474	Kg	Con riduttore With gear box 270	Con riduttore With gear box 474	Kg
DN 40	1"1/2	V270XM68	V474XM68	2,7	V270LM68	V474LM68	3	V270RM68	V474RM68	3,2
DN 50	2"	V270XM69	V474XM69	4,2	V270LM69	V474LM69	4,5	V270RM69	V474RM69	4,7
DN 65	2"1/2	V270XM70	V474XM70	5,2	V270LM70	V474LM70	5,5	V270RM70	V474RM70	5,7
DN 80	3"	V270XM71	V474XM71	5,8	V270LM71	V474LM71	6,3	V270RM71	V474RM71	6,6
DN 100	4"	V270XM72	V474XM72	7,3	V270LM72	V474LM72	7,8	V270RM72	V474RM72	8,1
DN 125	5"	V270XM73	V474XM73	8,9	V270LM73	V474LM73	9,4	V270RM73	V474RM73	9,7
DN 150	6"	V270XM74	V474XM74	9,9	V270LM74	V474LM74	10,4	V270RM74	V474RM74	10,7
DN 200	8"	V270XM75	V474XM75	16	V270LM75	V474LM75	19,9	V270RM75	V474RM75	20,3

ITEM 270-474

CON ATTUATORE WITH ACTUATOR



CON ATTUATORE PNEUMATICO DA WITH DA PNEUMATIC ACTUATOR

MISURA SIZE	ARTICOLO ITEM CODE	ATTUATORE ACTUATOR	KIT montaggio Mounting KIT	L [mm]	H [mm]	A [mm]	Kg
DN 40 1" 1/2	DG*XM68	DAN0015411S	KCNADDD5438	159,0	272,2	33	4,2
DN 50 2"	DG*XM69	DAN0015411S	KCNADDD5438	159,0	288,2	43	5,7
DN 65 2" 1/2	DG*XM70	DAN0015411S	KCNADDD5439	159,0	293,2	46	6,7
DN 80 3"	DG*XM71	DAN0030411S	KCNCDD5440	174,2	308,2	46	7,7
DN 100 4"	DG*XM72	DAN0030411S	KCNCDD5440	174,2	326,2	52	9,2
DN 125 5"	DG*XM73	DAN0030411S	KCNCDD5442	174,2	345,2	56	10,8
DN 150 6"	DG*XM74	DAN0030411S	KCNCDD5442	174,2	354,2	56	11,8
DN 200 8"	DG*XM75	DAN0060412S	KCND5444	198,0	405,4	60	18,7

CON ATTUATORE PNEUMATICO SR WITH SR PNEUMATIC ACTUATOR

MISURA SIZE	ARTICOLO ITEM CODE	ATTUATORE ACTUATOR	KIT montaggio Mounting KIT	L [mm]	H [mm]	A [mm]	Kg
DN 40 1" 1/2	SG*XM68	SRN0015401S	KCNADDD5438	233,2	279,2	33	4,7
DN 50 2"	SG*XM69	SRN0015401S	KCNADDD5438	233,2	295,2	43	6,2
DN 65 2" 1/2	SG*XM70	SRN0015401S	KCNADDD5439	233,2	300,2	46	7,2
DN 80 3"	SG*XM71	SRN0030402S	KCNCDD5441	258,8	319,4	46	8,6
DN 100 4"	SG*XM72	SRN0030402S	KCNCDD5441	258,8	337,4	52	10,1
DN 125 5"	SG*XM73	SRN0030402S	KCNCDD5443	258,8	356,4	56	11,7
DN 150 6"	SG*XM74	SRN0030402S	KCNCDD5443	258,8	365,4	56	12,7
DN 200 8"	SG*XM75	SRN0060401S	KCND5445	338,5	422,0	60	20,4

* = 270 Valvola in ghisa - Cast iron valve * = 474 Valvola CF8M - CF8M valve

Dimensionamento degli attuatori pneumatici fatto considerando una pressione minima di alimentazione pari a 5,6 barg. Sizing of pneumatic actuators by minimum pressure rate 5,6 barg.

MATERIALI USATI PER LA VALVOLA

1) Anello elastico di sicurezza	Acciaio nichelato
2) Rosetta premi O-Ring	Acciaio nichelato
3) Adattatore	Alluminio verniciato
4) Viti	Acciaio nichelato
5) O-ring	FKM
6) Lente	Ghisa sferoidale GGG50 - CF8M
7) Albero di comando	420 S.S. - 303 S.S.
8) Corpo	Ghisa sferoidale GGG50 - CF8M

VALVE MATERIALS

1) Safety elastic ring	Nickel-plated steel
2) Washer	Nickel-plated steel
3) Adapter	Painted aluminium
4) Screws	Nickel-plated steel
5) O-ring	FKM
6) Butterfly	Spheroidal cast iron GGG50 - CF8M
7) Driving shaft	420 S.S. - 303 S.S.
8) Body	Spheroidal cast iron GGG50 - CF8M



ITEM 490-492-493-494

VALVOLA A FARFALLA 2 VIE FILETTATA ISO 228/1, DIN 11851, DA SALDARE, CLAMP
STAINLESS STEEL BUTTERFLY VALVE WITH ISO 228/1 THREADED, BUTT
WELDED, DIN 11851 ENDS, CLAMP

ITEM 490

Conessioni: Filettate
ISO 228/1, Materiale: 304 S.S.

ITEM 492

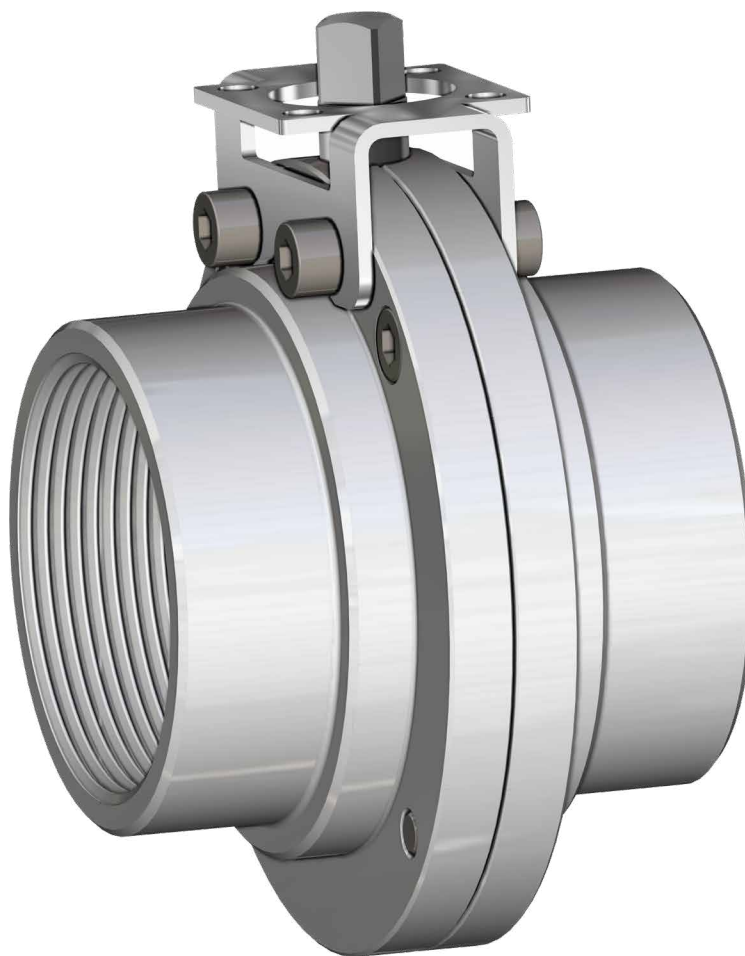
Conessioni: DIN 11851,
Materiale: 304 S.S.

ITEM 493

Conessioni: DIN 11850
serie 1, Materiale: 304 S.S.

ITEM 494

Conessioni: Clamp BS 4825,
Materiale: 316L S.S.



ITEM 490

Connections: Threaded ISO 228/1,
Material: 304 S.S.

ITEM 492

Connections: DIN 11851,
Material: 304 S.S.

ITEM 493

Connections: DIN 11850 serie 1,
Material: 304 S.S.

ITEM 494

Connections: Clamp BS 4825,
Material: 316L S.S.

ESECUZIONI STANDARD:

- Valvola interamente costruita in acciaio inox 304 (serie 490-492-493) e in 316L (serie 494).
- La valvola si presta ad utilizzi che richiedono condizioni igieniche particolari.
- Temperatura di utilizzo: da 0°C a + 150°C.
- Pressione di utilizzo: PN 6.
- Fluido intercettato: per usi alimentari.
- Attacchi: filettati gas a norma DIN/ISO 228/1;
filettati alimentare a norma DIN 11851;
da saldare di testa a norma DIN 11850-1;
Clamp BS 4825 (DIN 32676 serie C).
- Trattamento esterno: lucidata.

STANDARD EXECUTIONS:

- Valve manufactured in 304 (series 490-492-493) and in 316L (series 494) stainless steel.
- The valve it's suitable for food industries.
- Working temperature: from 0°C to + 150°C.
- Working pressure: PN 6.
- Fluid range: food industry.
- Connections: GAS threads as per DIN/ISO 228/1;
DIN 11851 threads for food industry;
to be butt-welded as per DIN 11850-1;
Clamp BS 4825 (DIN 32676 C serie).
- Surface treatment: polished.

ESECUZIONI A RICHIESTA:

- Filettata SMS 1146.
- Filettata MACON.
- Clamp DIN 32676 serie A.
- Clamp ISO 2852.
- Per altre applicazioni consultare il nostro ufficio commerciale.

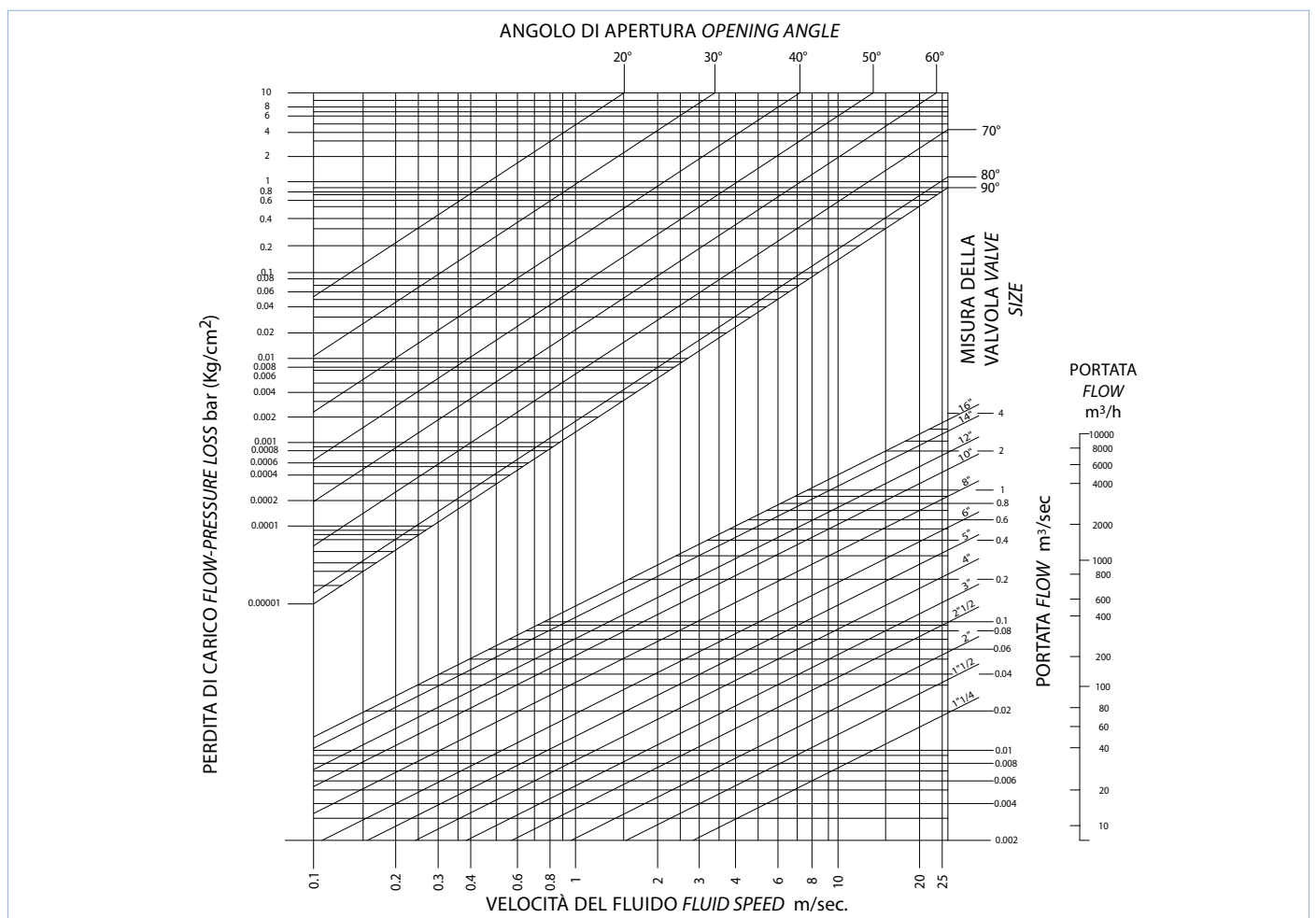
ON REQUEST:

- Threaded SMS 1146.
- Threaded MACON.
- Clamp DIN 32676 A serie.
- Clamp ISO 2852.
- For other applications, please contact our sales department.



ITEM 490-492-493-494 ASSE LIBERO E CON LEVA *FREE SHAFT AND WITH LEVER*

MISURA SIZE		ASSE LIBERO <i>FREE SHAFT</i>					CON LEVA <i>WITH LEVER</i>					KIT GUARNIZIONI <i>SEALS KIT</i>			
DN [mm]	[inch]	Filettata Threaded DIN ISO 228/1	Filettata Threaded DIN 11851	Saldare di testa Butt weld	Clamp BS 4825	Kg	DIN ISO 228/1	DIN 11851	Saldare di testa Butt weld	Clamp BS 4825	Kg	Kit guarnizione principale Main seal kit ITEM 490-492-493	Kit guarnizione principale Main seal kit ITEM 494	Kit guarnizione completo Complete seal kit ITEM 492	Kit guarnizione completo Complete seal kit ITEM 494
DN 25	1"	V490X406	V492X636	V493X756	V494X006	0,8	L490X406	L492X636	L493X756	L494X006	0,95	KGBV7006	KGBV7206	KGBV7006C	KGBV7206C
DN 32	1"1/4	V490X407	V492X637	V493X757	-	0,9	L490X407	L492X637	L493X757	-	1,05	KGBV7007	-	KGBV7007C	-
DN 40	1"1/2	V490X408	V492X638	V493X758	V494X008	1,4	L490X408	L492X638	L493X758	L494X008	1,55	KGBV7008	KGBV7208	KGBV7008C	KGBV7208C
DN 50	2"	V490X409	V492X639	V493X759	V494X009	1,9	L490X409	L492X639	L493X759	L494X009	2,1	KGBV7009	KGBV7209	KGBV7009C	KGBV7209C
DN 65	2"1/2	V490X410	V492X640	V493X760	V494X010	2,2	L490X410	L492X640	L493X760	L494X010	2,4	KGBV7010	KGBV7210	KGBV7010C	KGBV7210C
DN 80	3"	V490X411	V492X641	V493X761	V494X011	2,7	L490X411	L492X641	L493X761	L494X011	2,9	KGBV7011	KGBV7211	KGBV7011C	KGBV7211C
DN 100	4"	V490X412	V492X642	V493X762	V494X012	4	L490X412	L492X642	L493X762	L494X012	4,3	KGBV7012	KGBV7212	KGBV7012C	KGBV7212C



MISURA SIZE	COPPIE DI SPUNTO in Nm <i>BREAKAWAY TORQUES Nm</i>						
	DN 25 1"	DN 32 1"1/4	DN 40 1"1/2	DN 50 2"	DN 65 2"1/2	DN 80 3"	DN 100 4"
PN 6 bar	7	9	15	18	29	43	65

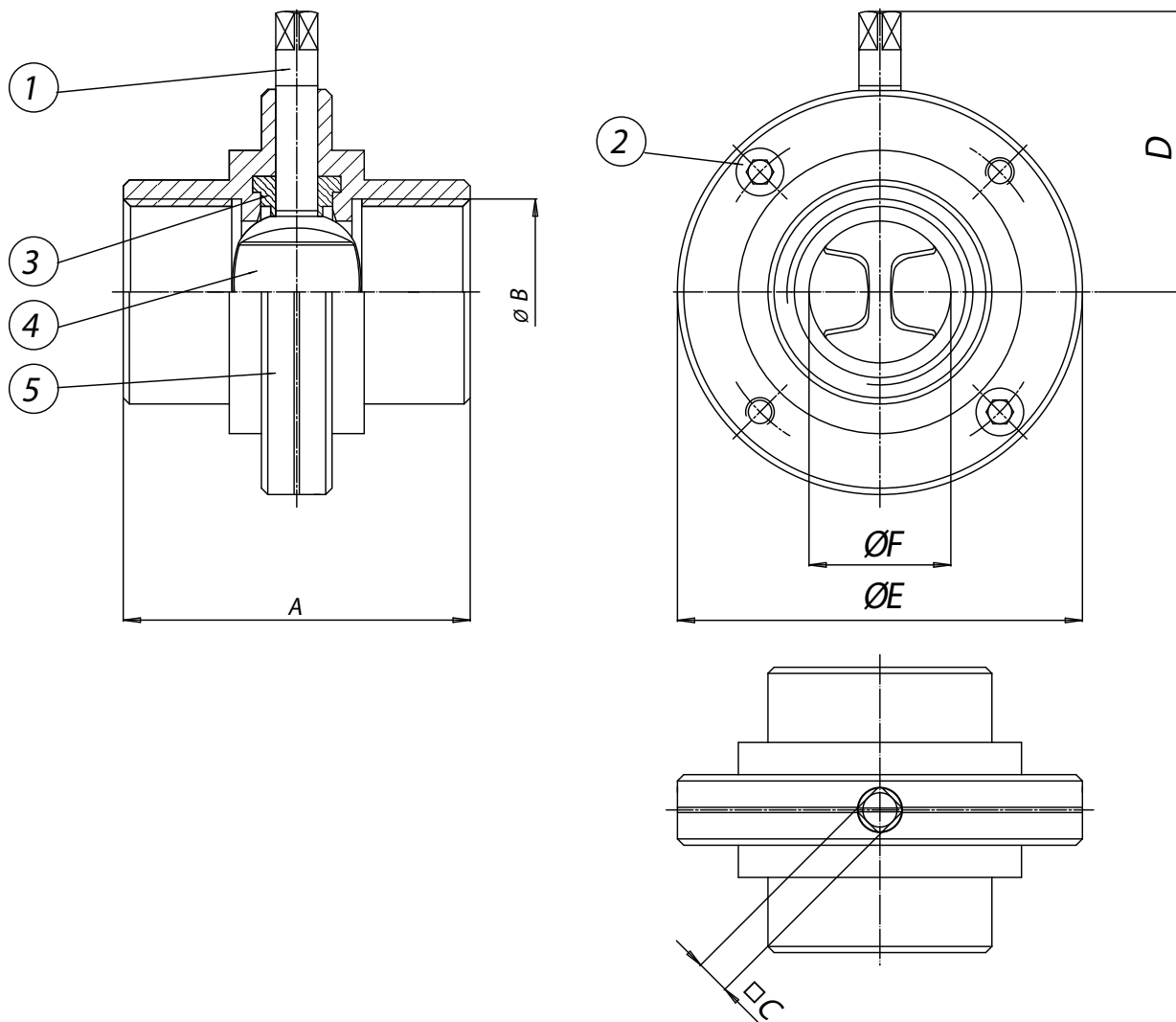
I valori della coppia possono variare in funzione della temperatura e del tipo di fluido. Considerare un fattore di sicurezza pari a 1,4. Con frequenti cicli di apertura e chiusura la coppia di manovra può diminuire sensibilmente rispetto a quella iniziale. Gli accoppiamenti attuatore/valvola, riportati nelle pagine seguenti, sono realizzati per valvole che intercettano fluidi liquidi o gassosi, puliti e per medie temperature. Per maggiori informazioni, o utilizzi diversi, consultare il nostro ufficio commerciale.

Torque can vary depending on temperature and type of fluid; a safety factor of 1.4 must be applied. Torque can drop on high frequency of operations. The actuator/valve sizing, indicated on the following pages, are based for valves to be used with liquids or gaseous fluids, clean, and for medium temperatures. For further information, or different uses please contact our sales department.

BUTTERFLY VALVES



ITEM 490 ISO 228/1



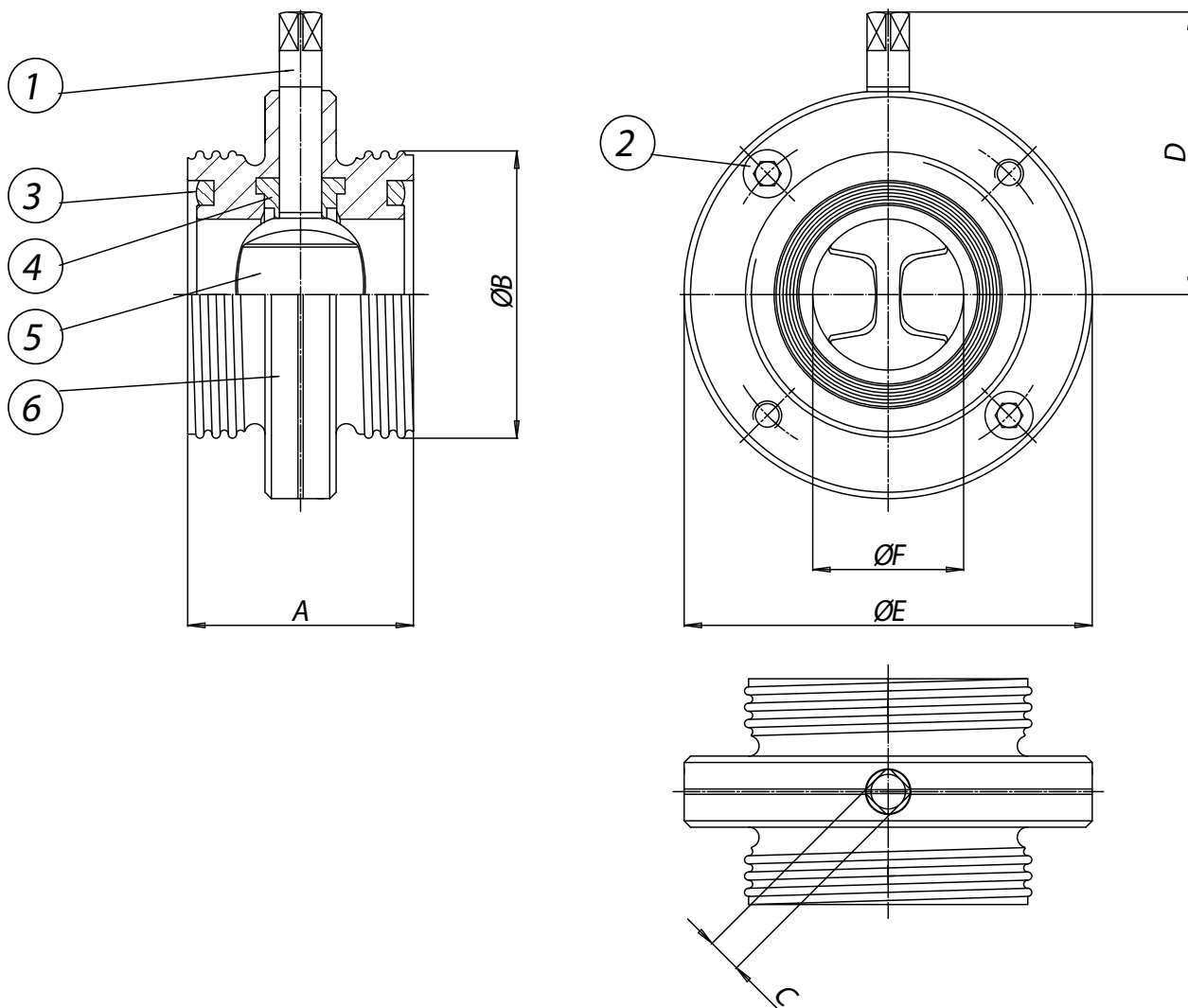
		MATERIALI	MATERIALS		
1	Stelo <i>Shaft</i>	304 S.S.	1.4301		UNI X5CrNi 18 10
2	Viti di bloccaggio <i>Screws</i>	304 S.S.	1.4301		UNI X5CrNi 18 10
3*	Guarnizioni di tenuta interne <i>Internal seals</i>	Silicone <i>Silicon</i>			
4	Lente <i>Disc</i>	CF8	1.4301		UNI X5CrNi 18 10
5	Semicorpi <i>Ends</i>	304 S.S.	1.4301		UNI X5CrNi 18 10

* Particolari del kit di ricambio *Components of spare part kit* KGBV70...

		DIMENSIONI		DIMENSIONS			
MISURA <i>SIZE</i>		A	ØB	□C	D	øE	øF
DN [mm]	[inch]						
DN 25	1"	68	1"	9	58	79	25
DN 32	1" 1/4	76	1"1/4	9	63	85	32
DN 40	1" 1/2	76	1"1/2	9	65	92	40
DN 50	2"	80	2"	9	71	105	50
DN 65	2" 1/2	82	2"1/2	9	81	125	65
DN 80	3"	84	3"	11	88	137	80
DN 100	4"	88	4"	11	100	157	100



ITEM 492 DIN 11851



		MATERIALI	MATERIALS	
1	Stelo <i>Shaft</i>	304 S.S.	1.4301	UNI X5CrNi 18 10
2	Viti di bloccaggio <i>Screws</i>	304 S.S.	1.4301	UNI X5CrNi 18 10
3**	Guarnizioni di tenuta laterale <i>Seals</i>	Silicone <i>Silicon</i>		
4*	Guarnizioni di tenuta interne <i>Internal seals</i>	Silicone <i>Silicon</i>		
5	Lente <i>Disc</i>	CF8	1.4301	UNI X5CrNi 18 10
6	Semicorpi <i>Ends</i>	304 S.S.	1.4301	UNI X5CrNi 18 10

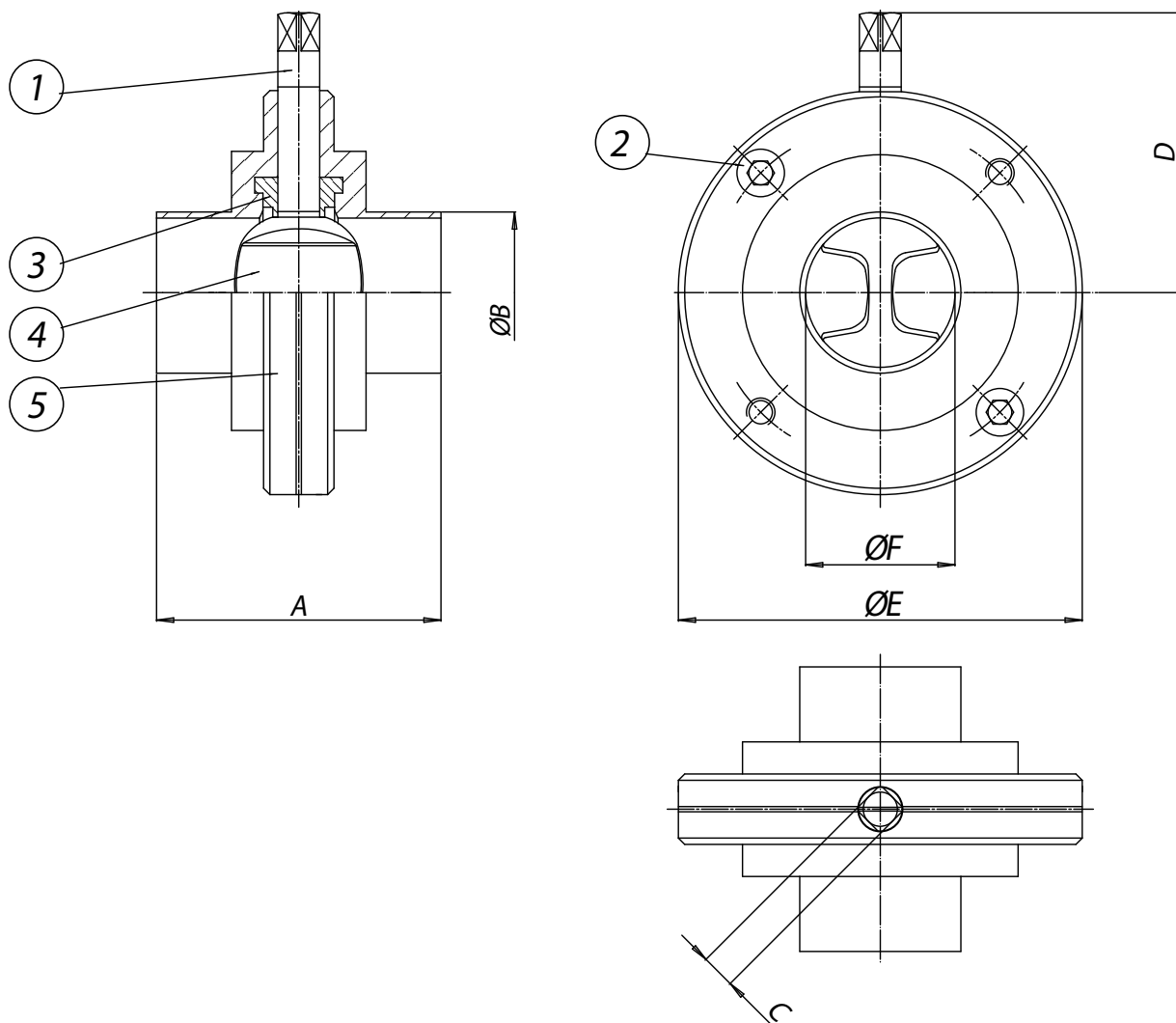
* Ricambio della guarnizione principale. *Main seat spare part.*

** Particolari del kit di ricambio completo. *Components of complete spare part.*

		DIMENSIONI	DIMENSIONS				
MISURA <i>SIZE</i>		A	ØB	□C	D	øE	øF
DN [mm]	[inch]						
DN 25	1"	68	52X1/6	9	58	79	25
DN 32	1" 1/4	76	58X1/6	9	63	85	32
DN 40	1" 1/2	76	65x1/6	9	65	92	40
DN 50	2"	80	78X1/6	9	71	105	50
DN 65	2" 1/2	82	95x1/6	9	81	125	65
DN 80	3"	84	110X1/4	11	88	137	80
DN 100	4"	88	130X1/4	11	100	157	100



ITEM 493 DIN 11850 1 SERIE



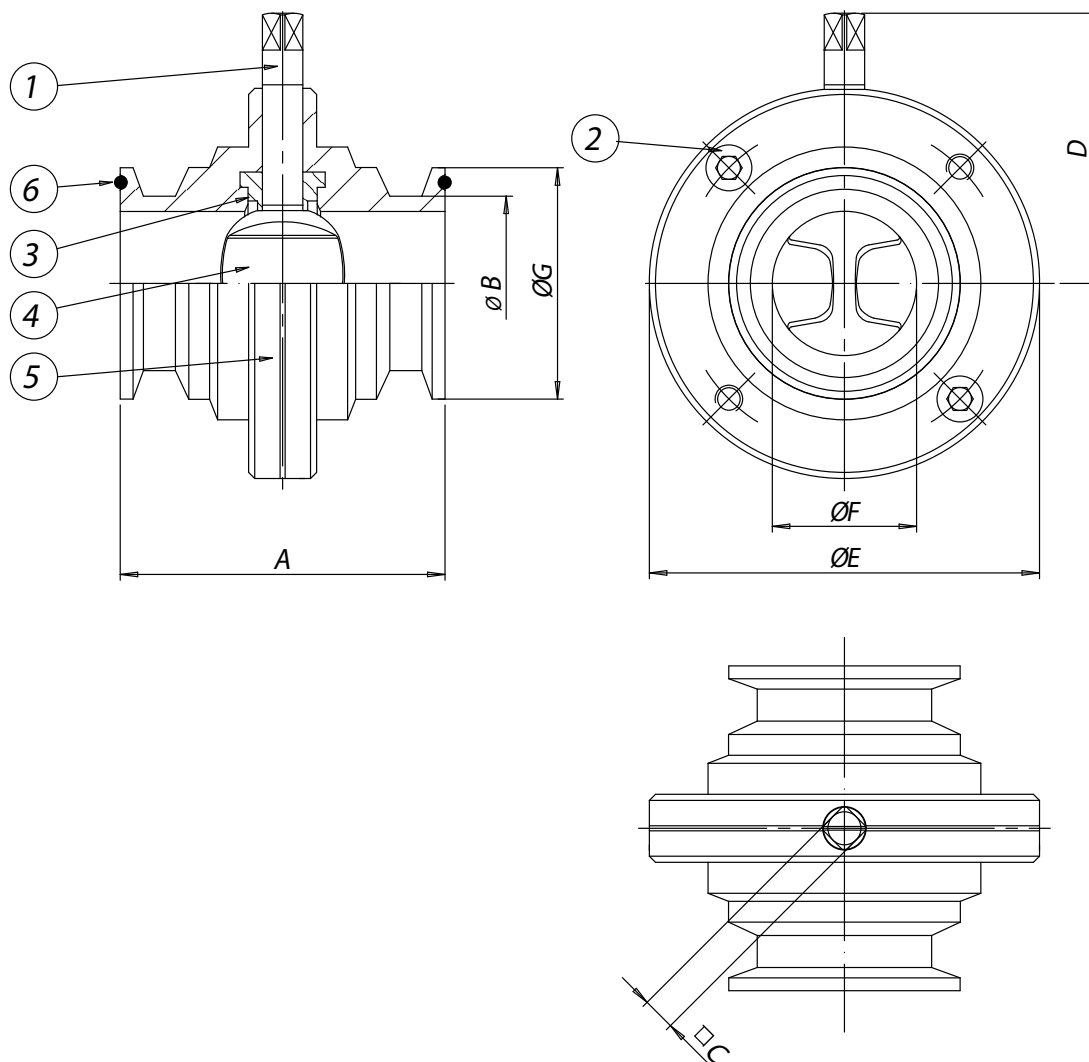
		MATERIALI	MATERIALS		
1	Stelo <i>Shaft</i>	304 S.S.	1.4301		UNI X5CrNi 18 10
2	Viti di bloccaggio <i>Screws</i>	304 S.S.	1.4301		UNI X5CrNi 18 10
3*	Guarnizioni di tenuta interne <i>Internal seals</i>	Silicone <i>Silicon</i>			
4	Lente <i>Disc</i>	CF8	1.4301		UNI X5CrNi 18 10
5	Semicorpi <i>Ends</i>	304 S.S.	1.4301		UNI X5CrNi 18 10

* Particolari del kit di ricambio *Components of spare part kit* KGBV70...

		DIMENSIONI		DIMENSIONS			
MISURA <i>SIZE</i>		A	ØB	□C	D	øE	øF
DN [mm]	[inch]						
DN 25	1"	68	28	9	58	79	25
DN 32	1" 1/4	76	34	9	63	85	31
DN 40	1" 1/2	76	40	9	65	92	37
DN 50	2"	80	52	9	71	105	49
DN 65	2" 1/2	82	70	9	81	125	66
DN 80	3"	84	85	11	88	137	81
DN 100	4"	88	104	11	100	157	100



ITEM 494 CLAMP BS 4825 (DIN 32676 C SERIE)



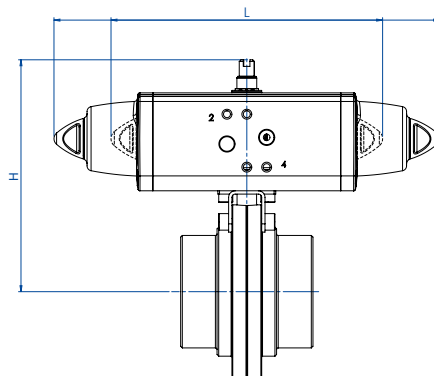
MATERIALI		MATERIALS		
1	Stelo <i>Shaft</i>	316L S.S.	1.4401	UNI X5CrNiMo 17 12
2	Viti di bloccaggio <i>Screws</i>	316L S.S.	1.4401	UNI X5CrNiMo 17 12
3*	Guarnizioni di tenuta interne <i>Internal seals</i>	Silicone <i>Silicon</i>		
4	Lente <i>Disc</i>	CF3M	1.4401	UNI X5CrNiMo 17 12
5	Semicorpi <i>Ends</i>	316L S.S.	1.4401	UNI X5CrNiMo 17 12
6**	Guarnizione clamp <i>Clamp seal</i>	Silicone <i>Silicon</i>		

* Ricambio della guarnizione principale. *Main seat spare part.*
 ** Particolari del kit di ricambio completo. *Components of complete spare part.*

DIMENSIONI		DIMENSIONS					
CLAMP SIZE [inch]	A	ØB	□C	D	ØE	ØF	ØG
1"	68	25,4	9	58	79	22,1	50,4
1 1/2"	76	38,1	9	63	85	34,8	50,4
2"	80	50,8	9	71	105	47,5	64
2 1/2"	82	63,5	9	76	113	60,2	77,4
3"	82	76,1	9	81	125	72,8	90,9
4"	88	101,6	11	100	157	97,6	118,8



ITEM 490-492-493 CON ATTUATORE WITH ACTUATOR



CON ATTUATORE PNEUMATICO DOPPIO EFFETTO WITH DOUBLE ACTING PNEUMATIC ACTUATOR

MISURA	SIZE	ARTICOLO "F/F GAS" ITEM CODE "F/F GAS"	ARTICOLO "F/F DIN" ITEM CODE "F/F DIN"	ARTICOLO saldare di testa ITEM CODE butt weld	ATTUATORE ACTUATOR	KIT montaggio Mounting KIT	L [mm]	H [mm]	Kg
DN 25	1"	DG490H006	DG492H066	DG493H086	DAN0015411S	KCF042253	159,0	120,2	1,6
DN 32	1" 1/4	DG490H007	DG492H067	DG493H087	DAN0015411S	KCF042253	159,0	125,2	1,7
DN 40	1" 1/2	DG490H008	DG492H068	DG493H088	DAN0015411S	KCF042253	159,0	127,2	2,2
DN 50	2"	DG490H009	DG492H069	DG493H089	DAN0030411S	KCF042253	174,2	140,2	2,9
DN 65	2" 1/2	DG490H010	DG492H070	DG493H090	DAN0045412S	KCF042254	188,5	155,5	3,4
DN 80	3"	DG490H011	DG492H071	DG493H091	DAN0060412S	KCF052256	198,0	168,4	4,3
DN 100	4"	DG490H012	DG492H072	DG493H092	DAN0106411S	KCF072257	237,0	193,3	6,5

CON ATTUATORE PNEUMATICO SEMPLICE EFFETTO WITH SPRING RETURN PNEUMATIC ACTUATOR

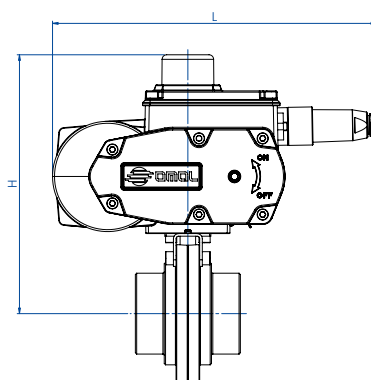
MISURA	SIZE	ARTICOLO "F/F GAS" ITEM CODE "F/F GAS"	ARTICOLO "F/F DIN" ITEM CODE "F/F DIN"	ARTICOLO saldare di testa ITEM CODE butt weld	ATTUATORE ACTUATOR	KIT montaggio Mounting KIT	L [mm]	H [mm]	Kg
DN 25	1"	SG490H006	SG492H066	SG493H086	SRN0015401S	KCF042253	233,2	127,2	2,2
DN 32	1" 1/4	SG490H007	SG492H067	SG493H087	SRN0015401S	KCF042253	233,2	132,2	2,3
DN 40	1" 1/2	SG490H008	SG492H068	SG493H088	SRN0015401S	KCF042253	233,2	134,2	2,5
DN 50	2"	SG490H009	SG492H069	SG493H089	SRN0030402S	KCF052255	258,8	151,4	3,8
DN 65	2" 1/2	SG490H010	SG492H070	SG493H090	SRN0053401S	KCF075308	304,2	174,3	5,3
DN 80	3"	SG490H011	SG492H071	SG493H091	SRN0060401S	KCF072257	338,5	185,0	9,3
DN 100	4"	SG490H012	SG492H072	SG493H092	SRN0090401S	KCF105307	393,7	227,5	11,9

Dimensionamento degli attuatori pneumatici fatto considerando una pressione minima di alimentazione pari a 5,6 barg. Sizing of pneumatic actuators by minimum pressure rate 5,6 barg.



I codici degli articoli con attuatore elettrico si riferiscono a una tensione di 230Vac.
For the codes of the items operated by electrical actuators is considered 230Vac voltage.

Versione ATEX non disponibile per attuatori elettrici.
ATEX version not available for electric actuator.



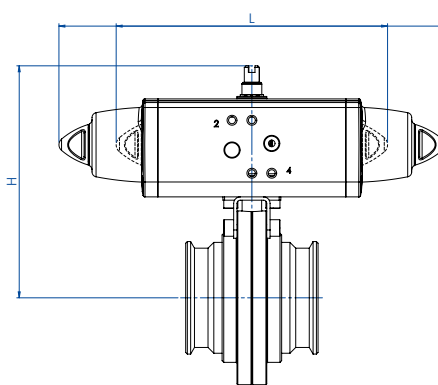
CON ATTUATORE ELETTRICO ON-OFF WITH ON-OFF ELECTRIC ACTUATOR

MISURA	SIZE	ARTICOLO "F/F GAS" ITEM CODE "F/F GAS"	ARTICOLO "F/F DIN" ITEM CODE "F/F DIN"	ARTICOLO saldare di testa ITEM CODE butt weld	ATTUATORE ACTUATOR	KIT montaggio Mounting KIT	L [mm]	H [mm]	Kg
DN 25	1"	C490A5E06	C492A5E66	C493A5E86	EA0035A5C000	KCF052255	250,0	185,0	4,4
DN 32	1" 1/4	C490A5E07	C492A5E67	C493A5E87	EA0035A5C000	KCF052255	250,0	190,0	4,5
DN 40	1" 1/2	C490A5E08	C492A5E68	C493A5E88	EA0035A5C000	KCF052255	250,0	192,0	5,0
DN 50	2"	C490A5E09	C492A5E69	C493A5E89	EA0035A5C000	KCF052255	250,0	198,0	5,5
DN 65	2" 1/2	C490A5G10	C492A5G70	C493A5G90	EA0070A5C000	KCF052255	250,0	208,0	5,8
DN 80	3"	C490A5G11	C492A5G71	C493A5G91	EA0070A5C000	KCF053106	250,0	215,0	8,2
DN 100	4"	C490A5I12	C492A5I72	C493A5I92	EA0130A5C000	KCF072257	280,0	247,6	11,5

Articoli con attuatore modulante disponibili a richiesta. Article with modulating actuator available on request.



ITEM 494 CLAMP BS 4825 (DIN 32676 C SERIE) CON ATTUATORE WITH ACTUATOR



CON ATTUATORE PNEUMATICO DOPPIO EFFETTO WITH DOUBLE ACTING PNEUMATIC ACTUATOR

CLAMP SIZE [inch]	ARTICOLO CLAMP ITEM CODE CLAMP	ATTUATORE ACTUATOR	KIT montaggio Mounting KIT	L [mm]	H [mm]	Kg
1"	DG494H006	DAN0015411S	KCF042253	159,0	120,2	1,6
1" 1/2	DG494H008	DAN0015411S	KCF042253	159,0	127,2	2,2
2"	DG494H009	DAN0030411S	KCF042253	174,2	140,2	2,9
2" 1/2	DG494H010	DAN0045412S	KCF042254	188,5	155,5	3,4
3"	DG494H011	DAN0060412S	KCF052255	198,0	168,4	4,3
4"	DG494H012	DAN0106411S	KCF072257	237,0	193,3	6,5

CON ATTUATORE PNEUMATICO SEMPLICE EFFETTO WITH SPRING RETURN PNEUMATIC ACTUATOR

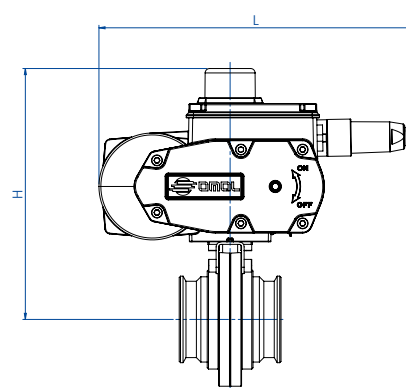
CLAMP SIZE [inch]	ARTICOLO CLAMP ITEM CODE CLAMP	ATTUATORE ACTUATOR	KIT montaggio Mounting KIT	L [mm]	H [mm]	Kg
1"	SG494H006	SRN0015401S	KCF042253	233,2	127,2	2,2
1" 1/2	SG494H008	SRN0015401S	KCF042253	233,2	134,2	2,5
2"	SG494H009	SRN0030402S	KCF052255	258,8	151,4	3,8
2" 1/2	SG494H010	SRN0053401S	KCF075308	304,2	174,3	5,3
3"	SG494H011	SRN0060401S	KCF075752	338,5	185,0	9,3
4"	SG494H012	SRN0090401S	KCF105307	393,7	227,5	11,9

Dimensionamento degli attuatori pneumatici fatto considerando una pressione minima di alimentazione pari a 5,6 barg. Sizing of pneumatic actuators by minimum pressure rate 5,6 barg.



I codici degli articoli con attuatore elettrico si riferiscono a una tensione di 230Vac.
For the codes of the items operated by electrical actuators is considered 230Vac voltage.

Versione ATEX non disponibile per attuatori elettrici.
ATEX version not available for electric actuator.



CON ATTUATORE ELETTRICO ON-OFF WITH ON-OFF ELECTRIC ACTUATOR

CLAMP SIZE [inch]	ARTICOLO CLAMP ITEM CODE CLAMP	ATTUATORE ACTUATOR	KIT montaggio Mounting KIT	L [mm]	H [mm]	Kg
1"	C494A5E06	EA0035A5C000	KCF052255	250,0	185,0	4,4
1" 1/2	C494A5E08	EA0035A5C000	KCF052255	250,0	192,0	5,0
2"	C494A5E09	EA0035A5C000	KCF052255	250,0	198,0	5,5
2" 1/2	C494A5G10	EA0070A5C000	KCF052255	250,0	208,0	5,8
3"	C494A5G11	EA0070A5C000	KCF053106	250,0	215,0	8,2
4"	C494A5I12	EA0130A5C000	KCF072257	280,0	247,6	11,5

Articoli con attuatore modulante disponibili a richiesta. Article with modulating actuator available on request.



ITEM 675

VALVOLA A FARFALLA IN PVC PER MONTAGGIO TRA FLANGE TIPO "WAFER"
PVC BUTTERFLY VALVE FOR MOUNTING BETWEEN FLANGES, "WAFER" TYPE



ESECUZIONE STANDARD:

- Costruzione secondo il principio del doppio eccentrico: garantisce una minor usura del seggio di tenuta e una coppia di azionamento inferiore fino al 50% rispetto a una valvola a farfalla centrica.
- Corpo esterno in polipropilene (PP-GR) resistente ai raggi UV.
- Lente in materiale termoplastico: PVC-C.
- Tenuta primaria con manicotto in elastomero: EPDM.
- Temperatura di esercizio: da 0°C a 80°C.
- Pressione di esercizio: vedi diagramma.
- Applicazioni: sostanze chimiche, fluidi ai quali il PVC-C ed EPDM sono chimicamente resistente.
- Gamma disponibile: dal DN50 al DN300 PN10.
- Flangiatura standard: dal DN40 al DN300, ISO 7005 PN 10, EN 1092 PN 10, DIN 2501 PN 10, ANSI/ASME B16.5 classe 150, BS 1560: 1989, BS 4504, JIS B 2220.
- Interfaccia F07 secondo DIN/ISO 5211.

ESECUZIONI SPECIALI A RICHIESTA:

- Lenti speciali in materiale termoplastico: PVC-U, ABS, PP-H, PVDF.
- Tenute primarie speciali: FPM, FPM/PTFE.
- Possibilità di installare riduttore manuale.

STANDARD VERSION:

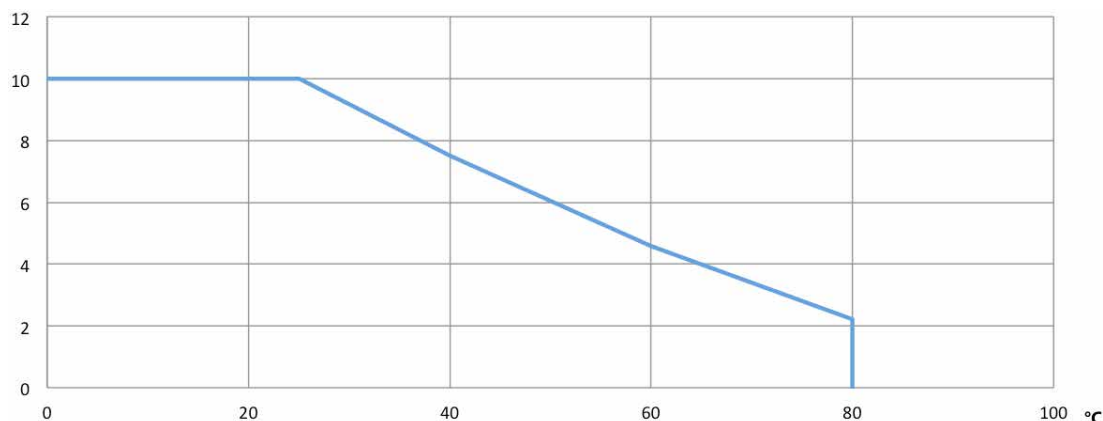
- *Double eccentric operating principle: this construction helps to reduce seat abrasion and actuation torque lower than 50% compared to a centric butterfly valve.*
- *External body material: polypropylene fiber glass reinforced.*
- *Disc: PVC-C.*
- *Seal: EPDM.*
- *Working temperature: from 0°C to +80°C.*
- *Working pressure: see diagram.*
- *Application: chemicals and all kinds of fluids compatible with PVC-C and EPDM.*
- *Available range: from DN50 to DN300 PN 10.*
- *Standard flanges: from DN50 to DN300, ISO 7005 PN 10, EN 1092 PN 10, DIN 2501 PN 10, ANSI/ASME B16.5 class 150, BS 1560: 1989, BS 4504, JIS B 2220.*
- *F07 connection as per DIN/ISO 5211.*

ON REQUEST:

- *Disc: PVC-U, ABS, PP-H, PVDF.*
- *Seals: FPM, FPM/PTFE.*
- *Gear box.*



DIAGRAMMA PRESSIONE/TEMPERATURA PRESSURE/TEMPERATURE DIAGRAM



PORTATA/PERDITA DI CARICO E COEFFICIENTE NOMINALE KV FLOW-PRESSURE LOSS DIAGRAM AND KV NOMINAL COEFFICIENT

	DN50	DN65	DN80	DN100	DN125	DN150	DN200	DN250	DN300
Kv100	1470	2200	3000	6500	11500	16600	39600	51000	73000
KV	88,2	132	180	390	690	996	2376	3060	4380

KV100 litri al minuto KV100 liters per minute

KV metricubi/ora KV cubic meters / hour

Il valore Kv è il valore di portata in m³/h (con acqua a 15°C) che provoca la caduta di pressione di 1 bar. Kv is the coefficient, expressed in m³/h (with water at 15°C) causing a pressure loss of 1 bar.

COPPIE DI SPUNTO in Nm BREAKAWAY TORQUES Nm

MISURA SIZE	DN 50 2"	DN 65 2"1/2	DN 80 3"	DN 100 4"	DN 125 5"	DN 150 6"	DN 200 8"	DN 250 10"	DN 300 12"
PN 10 bar	12	18	28	40	50	62	90	110	140

I valori della coppia possono variare in funzione della temperatura e del tipo di fluido. Considerare un fattore di sicurezza pari a 1,4.
Con frequenti cicli di apertura e chiusura la coppia di manovra può diminuire sensibilmente rispetto a quella iniziale. Gli accoppiamenti attuatore/valvola, riportati nelle pagine seguenti, sono realizzati per valvole che intercettano fluidi liquidi o gassosi, puliti e per medie temperature. Per maggiori informazioni, o utilizzi diversi, consultare il nostro ufficio commerciale.

Torque can vary depending on temperature and type of fluid; a safety factor of 1.4 must be applied. Torque can drop on high frequency of operations. The actuator/valve sizing, indicated on the following pages, are based for valves to be used with liquids or gaseous fluids, clean, and for medium temperatures. For further information, or different uses please contact our sales department.

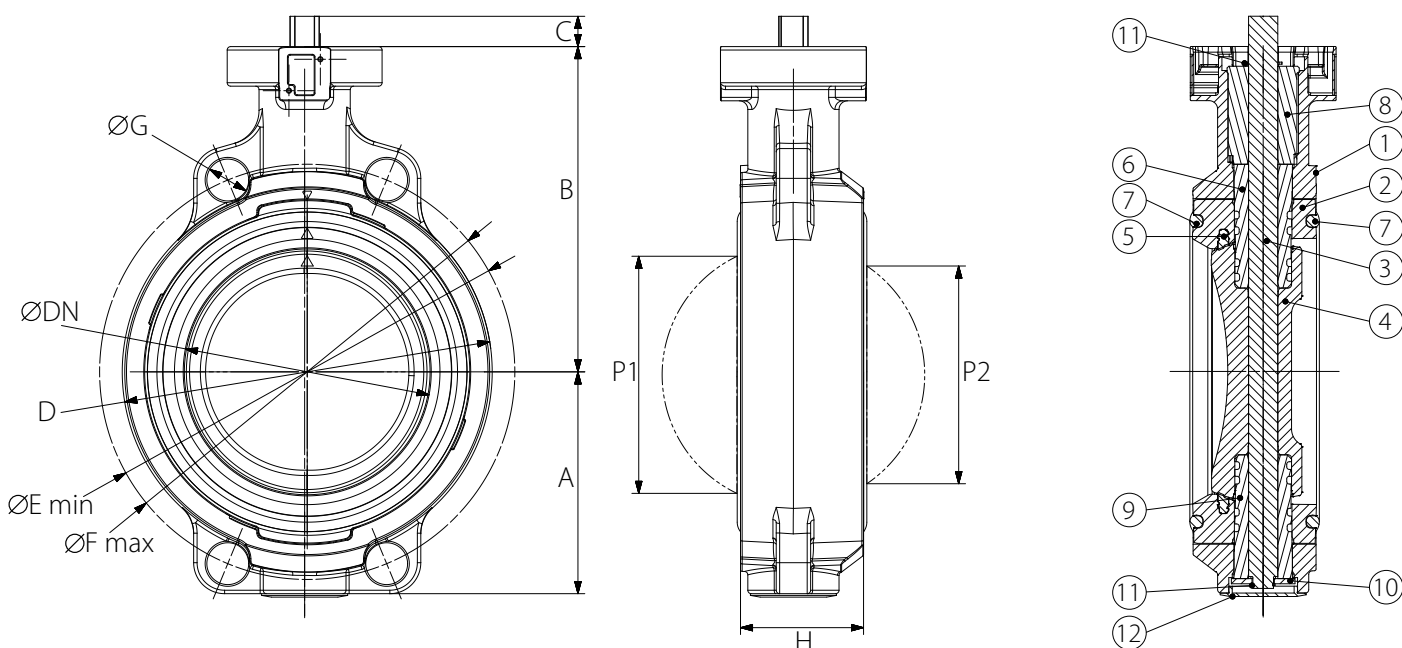


ITEM 675

PVC PVC

ASSE LIBERO E CON LEVA FREE SHAFT AND WITH LEVER

MISURA SIZE		ASSE LIBERO FREE SHAFT	CON LEVA WITH LEVER
DN [mm]	[inch]	Asse libero Free shaft	Con leva With lever
DN 50	2"	V675PE69	L675PE69
DN 65	2 1/2"	V675PE70	L675PE70
DN 80	3"	V675PE71	L675PE71
DN 100	4"	V675PE72	L675PE72
DN 125	5"	V675PE73	L675PE73
DN 150	6"	V675PE74	L675PE74
DN 200	8"	V675PE75	L675PE75
DN 250	10"	V675PE76	L675PE76
DN 300	12"	V675PE77	L675PE77

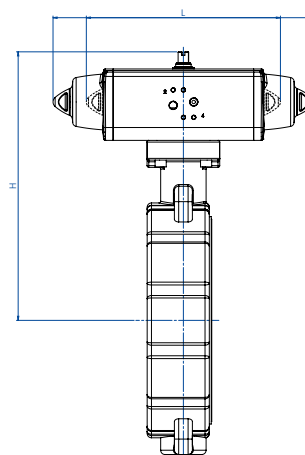


MATERIALI MATERIALS		
1	Corpo Body	PP+GF30
2	Corpo interno Internal body	PVC-C
3	Albero Stem	S.S.
4	Lente Disc	PVC-C
5	Guarnizione di tenuta Gasket	EPDM
6	Boccola superiore Upper Bush	PVC-C
7	Guarnizione flangia Flange gasket	EPDM
8	Boccola ferma stelo Stem holder bush	PP+GF30
9	Boccola inferiore Lower bush	PVC-C
10	Rondella Washer	S.S.
11	Anello di bloccaggio Retainer ring	S.S.
12	Coperchio stelo Shaft cover	PE

MISURA SIZE		DIMENSIONI DIMENSIONS												
DN [mm]	[inch]	H	A	B	C	D	G	ØE min	ØF max	ØM	L	□Q	P1	P2
DN 50	2"	45	77	134	27	104	19	120	125	70	90	11	40	40
DN 65	2 1/2"	46	83	140	27	115	19	140	145	70	90	11	54	35
DN 80	3"	49	89	146	27	131	19	150	160	70	90	11	67	50
DN 100	4"	56	104	167	16	161	19	175	191	70	90	14	88	74
DN 125	5"	64	117	181	16	187	23	210	216	70	90	14	113	97
DN 150	6"	72	130	189	19	215	24	241	241	70	90	17	139	123
DN 200	8"	73	158	210	19	267	23	290	295	70	90	17	178	169
DN 250	10"	113	205	264	40	329	25	353	362	102	125	22	210	207
DN 300	12"	113	228	285	40	379	25	400	432	102	125	22	256	253



ITEM 675 PVC PVC CON ATTUATORE WITH ACTUATOR



CON ATTUATORE PNEUMATICO DOPPIO EFFETTO WITH DOUBLE ACTING PNEUMATIC ACTUATOR

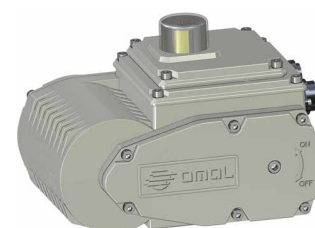
MISURA SIZE		ARTICOLO ITEM CODE	ATTUATORE ACTUATOR	KIT montaggio Mounting KIT	L [mm]	H [mm]	Kg
DN [mm]	[inch]						
DN 50	2"	DG675PE69	DAN0030411S	KCF055500	175	228	1,9
DN 65	2"1/2	DG675PE70	DAN0030411S	KCF055500	175	234	2
DN 80	3"	DG675PE71	DAN0045412S	KCF055500	189	246	2,4
DN 100	4"	DG675PE72	DAN0060412S	KCF075505	198	258	3,7
DN 125	5"	DG675PE73	DAN0106411S	KCF075506	237	285	4,9
DN 150	6"	DG675PE74	DAN0106411S	KCF075505	237	293	5,9
DN 200	8"	DG675PE75	DAN0180411S	KCF075507	290	348	10
DN 250	10"	DG675PE76	DAN0180411S	KCF075501	290	402	16,7
DN 300	12"	DG675PE77	DAN0240411S	KCF075501	314	427	21,7

CON ATTUATORE PNEUMATICO SEMPLICE EFFETTO WITH SPRING RETURN PNEUMATIC ACTUATOR

MISURA SIZE		ARTICOLO ITEM CODE	ATTUATORE ACTUATOR	KIT montaggio Mounting KIT	L [mm]	H [mm]	Kg
DN [mm]	[inch]						
DN 50	2"	SG675PE69	SRN0030402S	KCF055502	259	239	2,9
DN 65	2"1/2	SG675PE70	SRN0030402S	KCF055502	259	245	3
DN 80	3"	SG675PE71	SRN0053401S	KCF055503	304	265	4,2
DN 100	4"	SG675PE72	SRN0060401S	KCF075506	339	275	5,5
DN 125	5"	SG675PE73	SRN0090401S	KCF075724	394	319	8,3
DN 150	6"	SG675PE74	SRN0120401S	KCF075507	410	327	10,2
DN 200	8"	SG675PE75	SRN0180401S	KCF075507	474	358	14,3
DN 250	10"	SG675PE76	SRN0180401S	KCF075501	474	412	21,2
DN 300	12"	SG675PE77	SRN0240401S	KCF075504	521	451	28,2

Dimensionamento degli attuatori pneumatici fatto considerando una pressione minima di alimentazione pari a 5,6 barg. *Sizing of pneumatic actuators by minimum pressure rate 5,6 barg.*

A richiesta, articoli disponibili anche con attuatori elettrici.
On request, items available also with electric actuators.





DIN-DVGW type examination certificate
DIN-DVGW-Baumusterprüfzertifikat

Registration Number: **NG-4313BU0007**

Field of Application Anwendungsbereich	products of gas supply Produkte der Gasversorgung
Owner of Certificate Zertifikatinhaber	OMAL S.p.A. Via Ponte Nuovo, 11, I-25050 Rodengo Saiano (BS)
Distributor Vertreiber	OMAL S.p.A. Via Ponte Nuovo, 11, I-25050 Rodengo Saiano (BS)
Product Category Produktkategorie	Gas fittings: Shut-off valve for local gas distribution -<= PN 16 (4313)
Product description Produktbezeichnung	butterfly valve (lug or wafer type) for using between flanges
Model Modell	V375/376/385/386XN...
Test reports Prüfberichte	Laboratory control test: 21-00836-KP01-235 from 08.12.2023 (EBI)
Test basis Prüfgrundlagen	DIN EN 13774 (01.05.2013)

Date of Expiry / File No.
Ablaufdatum / Aktenzeichen: 19.01.2025 / 24-0031-GNV

DVGW CERT GmbH
Zertifizierungsstelle
Joseph-Wilmer-Str. 1-3
53173 Bonn
Tel: +49 228 91 98-388
Fax: +49 228 91 98-993
www.dvgw-cert.com
info@dvgw-cert.com

DarKs
Dutch Accreditation Body
01-26-90028-05-03

▲ DVGW GAS

Certificazione dei materiali, della progettazione, della produzione e del collaudo di valvole a farfalla per sistemi di distribuzione di gas in accordo alla norma UNI EN 13774.

Certification of materials, design, production and testing of valves for gas distribution systems in accordance with EN 13774 requirements.

INC-RIS

Appareil non électrique destiné à être utilisé en atmosphères explosibles
Non electrical equipment intended for use in potentially explosive atmospheres
Apparecchi non elettrici destinati ad essere utilizzati in atmosfera potenzialmente esplosiva

Directive 2014/34/EU
Directive 2014/34/EU

ACCUSÉ DE RECEPTION D'UN DOSSIER TECHNIQUE
ACKNOWLEDGE RECEIPT OF TECHNICAL DOCUMENTATION
AVVISO DI RICEVIMENTO DEL FASCICOLO TECNICO

Appareil / Equipement / Apparecchiatura: BUTTERFLY VALVES

Type(s) / Type(s) / Tipologia: WAFFER TYPE (LUG AND WAFFER TYPE) PN 16

Marquage / Marking / Marcatura: CE M G D

Dépositaire / Applicant / Richiedente: OMAL S.p.A.
Via Ponte Nuovo 11

Adresse / Address / Indirizzo: I-25050 Rodengo Saiano (BS)

UNITEC, organisme notifié en vertu de l'arrêté du 17 et 21 de la Commission européenne du 17 et 21 de la Directive 2014/34/EU, a procédé, le 17 et 21 de la Directive 2014/34/EU, à l'examen de la documentation technique présentée par le fabricant. L'unité a constaté que la documentation technique présentée est conforme à la norme européenne EN 13774:2013.

UNITEC, notified body and identified in the Commission decision of 17 and 21 of the Directive 2014/34/EU, has carried out the examination of the technical documentation submitted by the manufacturer. The notified body has concluded that the technical documentation submitted is in compliance with the European standard EN 13774:2013.

UNITEC, organismo notificado en virtud de la Decisión de la Comisión Europea de 17 y 21 de la Directiva 2014/34/UE, ha procedido, el 17 y 21 de la Directiva 2014/34/UE, al examen de la documentación técnica presentada por el fabricante. El organismo notificado ha concluido que la documentación técnica presentada es conforme a la norma europea EN 13774:2013.

La documentazione tecnica presentata dal fabbricante è conforme alla norma europea EN 13774:2013.

The technical documentation submitted by the manufacturer is in compliance with the European standard EN 13774:2013.

La documentación técnica presentada por el fabricante es conforme a la norma europea EN 13774:2013.

Il certificato è valido fino al 19.01.2025.

The certificate is valid until 19.01.2025.

Il certificato è valido fino al 19.01.2025.

The certificate is valid until 19.01.2025.

Il Direttore Generale del INC-RIS, Per delegazione, The Chief Executive Officer of INC-RIS, By delegation, Il Direttore generale dell'INC-RIS, Per Delega,

▲ ATEX

Dichiarazione che il Sistema di Qualità applicato per la progettazione, fabbricazione, ispezione finale e la prova di valvole industriali è in accordo con i requisiti della Direttiva ATEX per apparecchiature destinate all'impiego in ambienti con atmosfera potenzialmente esplosiva.

Declaration that the Quality Management System operated by OMAL for the design, manufacture, final inspection and tests of industrial valves is in compliance with the Directive ATEX for equipment intended to be used in potentially explosive atmospheres.

RINA

TYPE APPROVAL CERTIFICATE
No. MAC095121CS/002

This is to certify that the product identified below is in compliance with the regulations herewith specified.

Description	BUTTERFLY VALVES
Type	WAFFER LUG TYPE
Applicant	OMAL S.P.A. VIA PONTE NUOVO 11/I 25050 Rodengo-Saiano (BS) ITALY
Manufacturer	OMAL S.P.A.
Place of manufacture	VIA PONTE NUOVO 11/I 25050 Rodengo-Saiano (BS) ITALY
Reference standards	Part C, Chapter 1, Section 10 of RINA Rules

Issued in **Genoa** on **November 19, 2021**. This Certificate is valid until **October 16, 2026**

RINA Services S.p.A.
Marco Dardano

This Certificate annuls and replace the previous one No. MAC242716CS.

This Certificate consists of this page and 1 enclosure

RINA Services S.p.A.
Via Corsica, 12 - 16128 Genova
Tel. +39 010 53861

Digitally signed by RINA Services S.p.A. on 22 Nov 2021. No handwritten signature is provided.

▲ RINA

Certificazione di conformità del prodotto al Regolamento del RINA, Registro Navale Italiano, per l'installazione di valvole a farfalla a bordo di navi classificate con RINA.

Certification of compliance of the product with the Technical Rules of RINA for butterfly valve installation on board ship classified with RINA.

DNV

FULL QUALITY ASSURANCE
CERTIFICATE

Certificate No.: CS59802
Initial date: 01 January, 2023
Validity: 01 January, 2023 - 31 December, 2025

This certificate consists of 2 pages

This is to certify that the quality system of:
OMAL S.p.A.
Via Ponte Nuovo, 11 - 25050 Rodengo Saiano (BS) - Italy

has been assessed and found to comply with respect to the conformity assessment procedure described in:
ANNEX III MODULE H OF DIRECTIVE 2014/68/EU ON PRESSURE EQUIPMENT

This certificate is valid for the following scope:

Type of Pressure Equipment: **Pressure Accessory**
Product Name: **Ball valves, high pressure ball valves, butterfly valves, pneumatic valves.**

Place and date: Vimerate, 03 December, 2022

Check Validity

For the issuing office: Notified Body 0496, Italy
DNV Business Assurance Italy S.r.l.

Nicola Privato
Management Representative

Lack of fulfillment of conditions as set out in the Certification Agreement may render this Certificate invalid.
NOTIFIED BODY 0496: DNV Business Assurance Italy S.r.l. Via Energy Park, 14, 20071 Vimerate (MB), Italy. Tel: 039 68 99 905. www.dnv.com ICP-A-S-05-PED-01 rev.0

▲ PED

Certificazione del Sistema di Qualità applicato per la progettazione, fabbricazione, ispezione finale e la prova di valvole industriali in accordo con i requisiti della Direttiva PED.

OMAL operated Quality Management System Certificate for the design, manufacture, final inspection and tests of industrial valves in accordance with PED Directives







3.

**VALVOLE
PNEUMATICHE**

***PNEUMATIC
VALVES***



VALVOLE PNEUMATICHE · INDICE

Pag:

3 • VALVOLE PNEUMATICHE




- 3.1 • VIP (fino ad esaurimento scorte) 473**
- 3.1.1 • Accessori VIP 480



- 3.2 • VIP (nuovo modello) 485**
- 3.2.1 • Accessori VIP 493



- 3.3 • VIP EVO 497**
- 3.3.1 • Accessori VIP EVO 508
- 3.3.2 • Certificati VIP EVO  510



- 3.4 • VALVOLE A FLUSSO AVVIATO 513**



- 3.4.1 • **ARES / ATENA 516**




- 3.4.2 • **ARES con attacchi speciali 528**
- ARES Flangiata 529
- ARES da Saldare 534
- ARES Clamp 3A 540



- 3.4.3 • **ARES manuale 546**

- 3.4.4 • **ZEUS 550**

- 3.4.5 • Accessori ARES e ZEUS 560

- 3.5 • Certificati valvole pneumatiche  562



PNEUMATIC VALVES · INDEX

Pag:

3 • PNEUMATIC VALVES




- 3.1 • **VIP (while stocks last)** **473**
- 3.1.1 • *VIP Accessories* 480



- 3.2 • **VIP (new model)** **485**
- 3.2.1 • *VIP Accessories* 493



- 3.3 • **VIP EVO** **497**
- 3.3.1 • *VIP EVO Accessories* 508
- 3.3.2 • *VIP EVO Certificates*  510



- 3.4 • **ANGLE SEAT VALVES** **513**



- 3.4.1 • **ARES / ATENA** **516**
- 3.4.2 • **ARES with special ends** **528**
- *ARES Flanged* 529
- *ARES Weld Ends* 534
- *ARES Clamp 3A* 540



- 3.4.3 • **ARES manual drive** **546**



- 3.4.4 • **ZEUS** **550**
- 3.4.5 • *ARES and ZEUS Accessories* 560

- 3.5 • *Pneumatic valves Certificates*  562





3.1

VIP

VIP

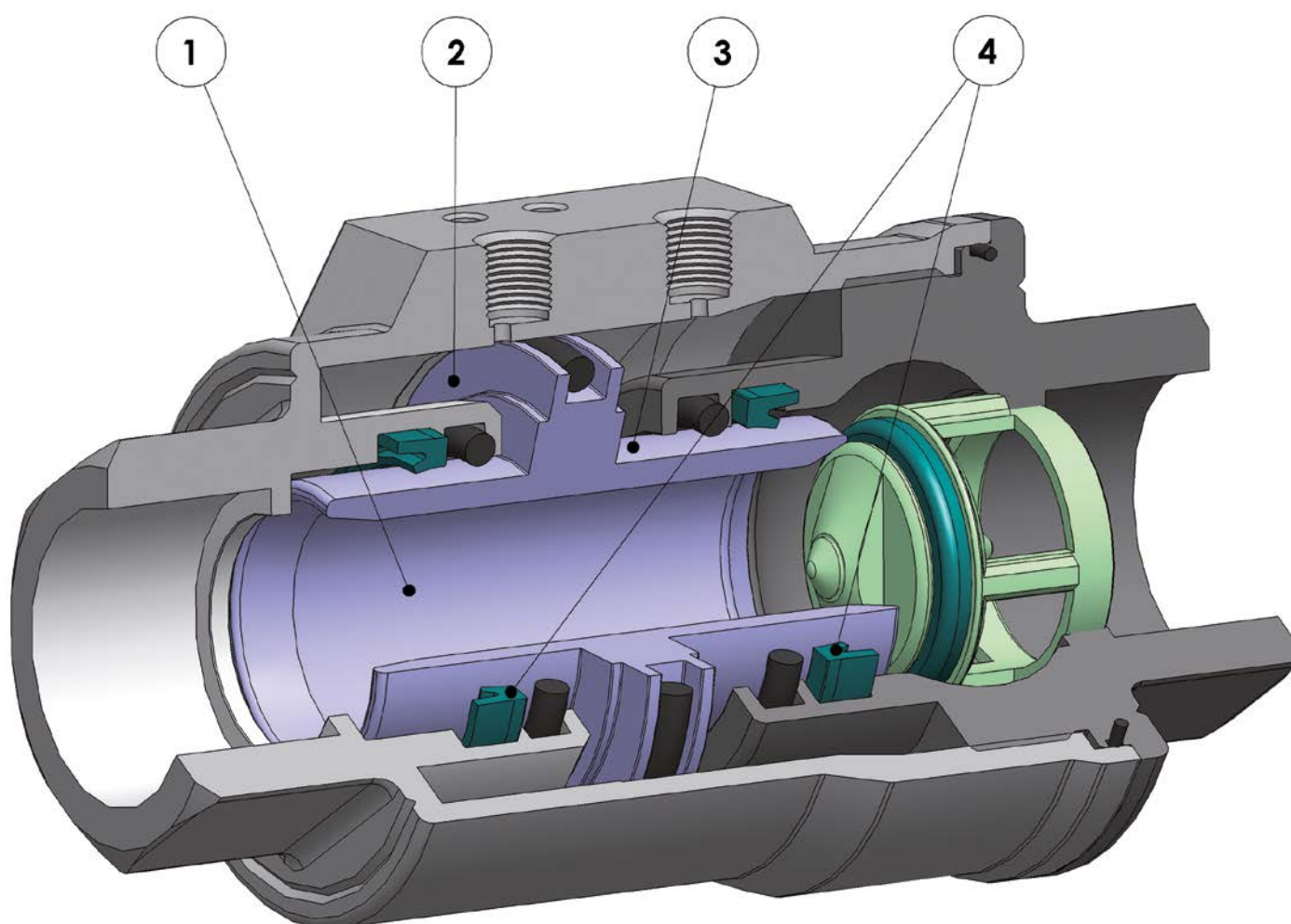
Fino ad esaurimento scorte
While stocks last



VIP

VALVOLA DI INTERCETTAZIONE PNEUMATICA PNEUMATIC COAXIAL VALVE

Fino ad esaurimento scorte
While stocks last





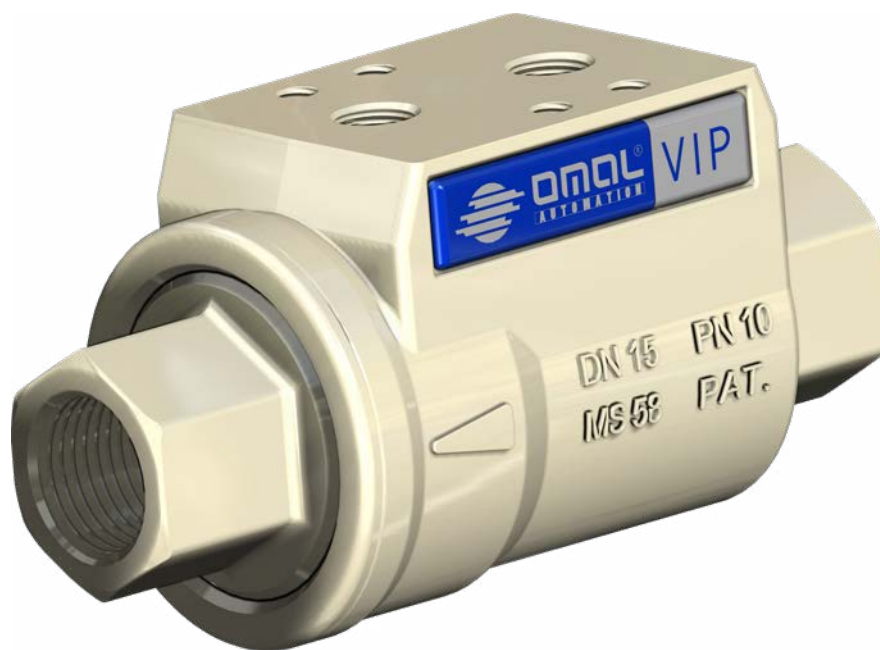
FEATURES & BENEFITS

1	Diametro di passaggio interno uguale al diametro di passaggio del tubo <i>Internal diameter equal to the diameter of the pipe</i>	Passaggio totale del fluido <i>High flow capacity</i>
2	Attuatore e valvola integrati in un unico prodotto <i>Pneumatic actuator integrated in the valve</i>	Minor ingombro (-60%) e costi ridotti rispetto ad una valvola attuata <i>Space saving (-60%) and reduced costs compared to an automated valve</i>
3	Pistone con nichelatura chimica (20-25 micron) <i>Piston with chemical nickel plating (20-25 micron)</i>	Maggior protezione contro gli agenti corrosivi <i>High corrosion resistance</i>
		Minor usura delle guarnizioni grazie all'aumento di durezza superficiale (400 -550 HV) <i>Lower wear of the seals due to the increase of the surface hardness (400 -550 HV)</i>
4	Guarnizioni a labbro <i>Lip seals</i>	Minor usura della guarnizione rispetto ad un o-ring <i>Less wear of the seal comparing with an o-ring</i>
	Varie guarnizioni di tenuta <i>Several seal materials available</i>	Massima compatibilità con diverse tipologie di fluidi a seconda della guarnizione montata (EPDM, NBR, FKM) <i>Maximum compatibility with different types of fluids depending by the seals used</i>
	Assenza di parti mobili esterne <i>No external moving parts</i>	Rischi di infortuni ridotti <i>Maximum safety</i>
		Facilità di montaggio in ogni posizione <i>Easy mounting</i>
	Lunga vita garantita <i>Long life time granted</i>	Durata 10 volte superiore rispetto alla valvola a sfera con costi di manutenzione ridotti <i>Lifetime 10 times longer than a ball valve with with reduced maintenance costs</i>
	Processo produttivo interamente realizzato in OMAL <i>100% in- house manufacturing process technology</i>	Massimo controllo in tutte le fasi di lavorazione <i>Maximum control and accuracy in all the stages of the manufacturing process</i>
	Minor consumo d'aria <i>Less Air consumption</i>	Risparmio d'aria pari ad un 80% rispetto ad una valvola attuata con attuatore semplice effetto con conseguente minor carico di lavoro del compressore o possibilità di utilizzo di un compressore con dimensioni ridotte <i>80% less air consumption compared to an actuated valve with SR pneumatic actuator therefore less load on the compressor or the possibility of using a smaller compressor's size.</i>
	Certificato ATEX <i>ATEX Certificate</i>	Ne consente l'installazione in presenza di ambiente potenzialmente esplosivo <i>Installation is allowed in a potential explosive environment</i>
	Certificato PED <i>PED Certificate</i>	Piena conformità alle norme di sicurezza europee per i dispositivi in pressione <i>Full compliance with European Safety Standards for Pressure Equipment</i>



VIP

VALVOLA DI INTERCETTAZIONE PNEUMATICA PNEUMATIC COAXIAL VALVE



CARATTERISTICHE GENERALI:

- Disponibile nelle versioni doppio effetto "DA" e semplice effetto "SR" (sia normalmente aperto sia normalmente chiuso) con misure da 3/8" a 2".
- Flusso unidirezionale.
- Attacchi filettati GAS EN 10226-1 Rp (Ex ISO 7/1) - DIN 2999 (a richiesta filetti NPT) con connessioni del fluido di comando secondo interfaccia NAMUR.
- L'ottimizzazione della fluidodinamica interna ha consentito la realizzazione di un condotto con perdite di carico ridotte al minimo: vedi diagramma portate.
- Possibilità di utilizzo in qualsiasi posizione di montaggio (orizzontale, verticale, obliqua).
- Disponibile con guarnizioni NBR, FKM ed EPDM:
 - NBR: compatibile con aria, gas, olii, acqua, etc.
 - FKM: ottima compatibilità con la maggior parte dei fluidi. Sconsigliato per il vapore.
 - EPDM: ottima compatibilità con acqua calda e vapore. Non compatibile con prodotti minerali (oli, grassi etc.).
- Per gas, fluidi esplosivi e maggiori informazioni sulla compatibilità dei materiali si prega di consultare il nostro ufficio commerciale.
- Possibilità di segnalare l'apertura o chiusura della valvola tramite l'applicazione di finecorsa induttivi a contatto magnetico esterni (disponibili a richiesta). Previo acquisto della versione VIP con magnete interno, da specificare in fase d'ordine.
- **Conforme alla direttiva Europea 2014/68/UE "PED"**
- **Configurazione ATEX 2014/34/UE da richiedere in fase d'ordine.**

FLUIDO DI COMANDO:

- Aria compressa filtrata non necessariamente lubrificata; con temperature da -20°C a 0°C usare aria secca.
- In caso di lubrificazione usare olio compatibile con le guarnizioni impiegate.
- Pressione di comando: min. 3 bar; max. 8 bar nella versione doppio effetto - min. 4,2 bar; max. 8 bar nelle versioni semplice effetto.

FLUIDO INTERCETTATO:

- Pressione: max. 10 bar, vedere diagramma.
- Temperatura: da -20°C a +80°C (NBR); da -20°C a +150°C (FKM); da -20°C a +150°C (EPDM).
- Tenuta al vuoto: 97% vuoto (circa 30 mbar assoluti, -980 mbarg).

GENERAL FEATURES:

- Both Double Acting and Spring Return VIP valves (either Normally Open or Normally Closed) are available in sizes ranging from 3/8" to 2".
- Unidirectional flow.
- GAS threaded ends as per EN 10226-1 Rp (Ex ISO 7/1) - DIN 2999 (NPT threads on request) with control fluid connections as per NAMUR interface.
- Improved fluid dynamics allow minimum pressure losses. See Flow Pressure Diagram.
- VIP valves can be used in any mounting position (horizontal, vertical or oblique).
- They can be provided with seals in NBR, FKM or EPDM:
 - NBR: suitable for air, gas, oils, water etc.
 - FKM: perfectly suitable for most fluid. Unsuitable for steam.
 - EPDM: perfectly suitable for hot water and steam. Unsuitable for mineral products (oils, grease, etc.).
- For further information about gas, explosive fluids, material compatibilities etc. please contact our sales department.
- Possibility to check open / close valve position thanks to inductive limit switches (magnetic contact) available on request. Internal magnet needs to be requested at VIP order phase.
- **According to 2014/68/EU "PED"**
- **2014/34/EU ATEX configuration to request at time of order.**

CONTROL MEDIA:

- Filtered compressed air, not necessarily lubricated. At temperatures from -20°C to 0°C, use dry air.
- In case of lubricated air, seal compatible oil must be used.
- Air supply: 3 bar min.- 8 bar max. in Double Acting execution. 4,2 bar min.- 8 bar max. in Spring Return execution.

OPERATING MEDIA:

- Pressure: 10 bar max, see diagram.
- Temperature: from -20°C to +80°C (NBR); from -20°C to +150°C (FKM); from -20°C to +150°C (EPDM).
- Vacuum tightness: 97% vacuum (about 30 mbar absolut, -980 mbarg).



Principio di funzionamento

La valvola di intercettazione pneumatica VIP (di esclusivo brevetto OMAL) è, a tutti gli effetti, una valvola automatica che raggruppa, in un unico dispositivo, sia il meccanismo di intercettazione (tra il condotto C-D) che quello di comando (A-B).

Il principio di funzionamento si basa sul movimento interno di un pistone dovuto alla pressione del fluido di comando. Il pistone, esaurita la sua corsa (VIP è una valvola on/off), preme o si stacca dalla guarnizione del seggio di tenuta, consentendo o impedendo il passaggio del liquido intercettato. Dato che la tenuta è realizzata sul seggio e le pressioni del fluido intercettato si scaricano sul medesimo, la pressione necessaria al movimento del pistone risulta indipendente da quella del fluido intercettato. Questo ha permesso di contenere i pesi e gli ingombri e di garantire un altissimo numero di manovre di apertura e chiusura. La valvola è a passaggio totale e l'accurato studio della fluidodinamica interna consente di ridurre al minimo le turbolenze e le perdite di carico.

Working principle

A VIP valve (patented by OMAL exclusively) is a proper automatic valve embodying both interception device (between pipe C-D) and control device (A-B). It works thanks to the internal movement of a piston supplied with air. At the end of its stroke (a VIP valve is an ON/OFF valve), the piston presses on the seat seal or moves away from it letting the intercepted fluid flow or stopping it from flowing. As the seat is perfectly tight and the intercepted fluid pressures discharge on it, the pressure necessary to move the piston is completely independent of the fluid pressure. As a result OMAL has been able to design a light space saving and lasting valve. Its full bore and its improved internal dynamics allow minimum pressure losses, too.

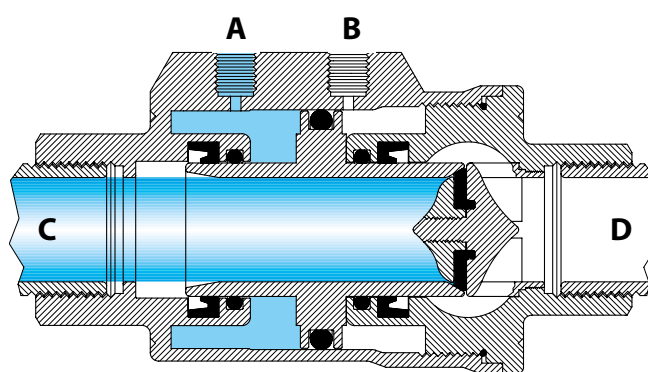
Valvola chiusa

Immettendo aria nel foro di comando "A" (il foro "B" deve essere a scarico) il pistone, esaurita la sua corsa, preme sulla guarnizione del seggio di tenuta: la valvola è chiusa.

Nelle versioni SEMPLICE EFFETTO N.C. la molla è alloggiata nella camera "A" questo fa sì che, in mancanza di comando, il pistone sia a contatto con la guarnizione del seggio di tenuta: la posizione preferenziale è quindi quella chiusa.

Closed valve

Supplying the hole "A" with air (the hole "B" must be discharging) at the end of its stroke the piston presses on the seat seal: the valve is closed. As in Spring Return N.C. executions the spring is in "A", if there is no control, the piston will touch the seat seal: therefore, the preferable position is the closed one.



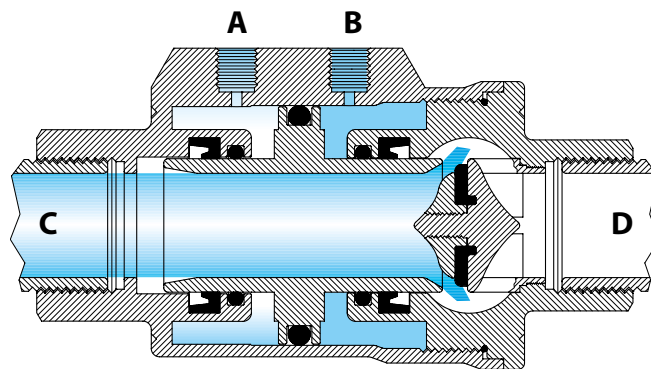
Fase transitoria

Durante la fase transitoria (la figura indica il transitorio di apertura della versione DOPPIO EFFETTO) viene data pressione a uno dei due fori di alimentazione. Il pistone si muove assialmente modificando lo stato di apertura o chiusura preesistente. Nella versione SEMPLICE EFFETTO N.C. la chiusura viene determinata dalla molla (in assenza di comando). Nella versione SEMPLICE EFFETTO N.A. l'apertura viene determinata dalla molla (in assenza di comando). La fase transitoria sia in apertura che in chiusura ha una durata inferiore al secondo.

Transitory phase

During the transitory phase (the picture shows the opening transition in a Double Acting execution), one of the two holes is supplied. The piston moves axially changing the previous closed or open state. In Spring Return N.C. executions, the closing is caused by the spring (if there is no control). In Spring Return N.O. executions, the opening is caused by the spring (if there is no control).

Both opening and closing transitory phases last less than a second.



Valvola aperta

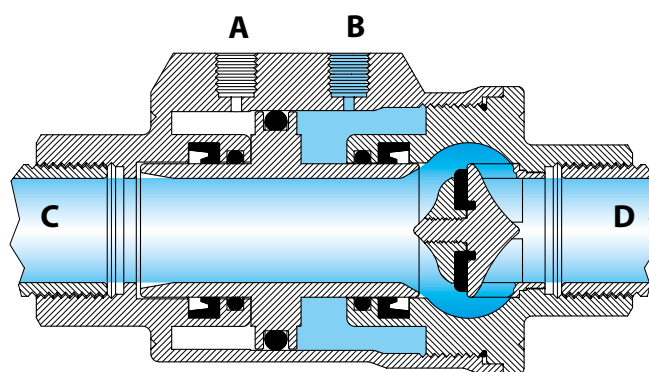
Immettendo aria nel foro di alimentazione "B" (il foro "A" deve essere a scarico) il pistone, esaurita la sua corsa, si trova alla massima distanza dal seggio di tenuta: la valvola è aperta.

Nelle versioni SEMPLICE EFFETTO N.A. la molla è alloggiata nella camera "B" questo fa sì che, in mancanza di comando, il pistone sia lontano dal seggio di tenuta: la posizione preferenziale è quindi quella aperta.

Opened valve

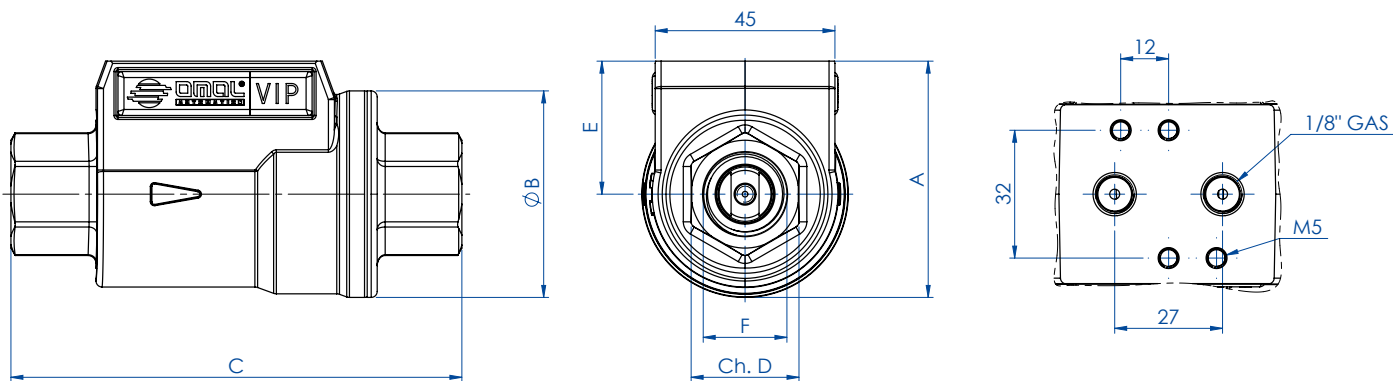
Supplying the hole "B" with air (the hole "A" must be discharging) at the end of its stroke the piston is at maximum distance from the seat seal: the valve is open.

As in Spring Return N.O. executions the spring is in "B", if there is no control, the piston will be away from the seat seal: therefore, the preferable position is the open one.





VIP



	DIMENSIONI				DIMENSIONS			
DN diametro nominale <i>DN nominal diameter</i> mm.	10	15	20	25	32	40	50	
misura size <i>F GAS</i> .	3/8"	1/2"	3/4"	1"	1" 1/4	1" 1/2	2"	
passaggio bore mm.	10	15	20	25	32	40	50	
A mm.	54	60	70	76	92	102	115	
ØB mm.	46	51,7	63,5	69	86	96	109	
C mm.	98	112	135	143	165	180	207	
ch. D mm.	22	27	33	41	50	60	75	
E mm.	31	34	39	42	49	54	60	
aria doppio effetto <i>double acting air</i> dm ³ /cycle	0,024	0,035	0,063	0,080	0,150	0,219	0,310	
aria semplice effetto <i>spring return air</i> dm ³ /cycle	0,012	0,017	0,031	0,040	0,075	0,109	0,155	
peso doppio effetto "DA" <i>weight double acting "DA"</i> Kg.	0,80	1	1,59	1,8	3,13	3,5	5,5	
peso semplice effetto "SR" <i>weight spring return "SR"</i> Kg.	0,85	1,05	1,69	1,88	3,41	3,7	5,8	

	CODICI VIP CON GUARNIZIONI NBR				VIP CODE WITH SEALING IN NBR			
codice VIP doppio effetto "DA" <i>VIP code double acting "DA"</i>	VDA10003	VDA10004	VDA10005	VDA10006	VDA10007	VDA10008	VDA10009	
codice VIP DA+1 finecorsa <i>VIP code DA+1 limit switch</i>	VDA10603	VDA10604	VDA10605	VDA10606	VDA10607	VDA10608	VDA10609	
codice VIP DA+2 finecorsa <i>VIP code DA+2 limit switches</i>	VDA10703	VDA10704	VDA10705	VDA10706	VDA10707	VDA10708	VDA10709	
codice VIP semplice effetto "SR" N.A. <i>VIP code spring return "SR" N.O.</i>	VNA10003	VNA10004	VNA10005	VNA10006	VNA10007	VNA10008	VNA10009	
codice VIP "SR" N.A.+1 finecorsa <i>VIP code "SR" N.O.+1 limit switch</i>	VNA10603	VNA10604	VNA10605	VNA10606	VNA10607	VNA10608	VNA10609	
codice VIP "SR" N.A.+2 finecorsa <i>VIP code "SR" N.O.+2 limit switches</i>	VNA10703	VNA10704	VNA10705	VNA10706	VNA10707	VNA10708	VNA10709	
codice VIP semplice effetto "SR" N.C. <i>VIP code spring return "SR" N.C.</i>	VNC10003	VNC10004	VNC10005	VNC10006	VNC10007	VNC10008	VNC10009	
codice VIP "SR" N.C.+1 finecorsa <i>VIP code "SR" N.C.+1 limit switch</i>	VNC10603	VNC10604	VNC10605	VNC10606	VNC10607	VNC10608	VNC10609	
codice VIP "SR" N.C.+2 finecorsa <i>VIP code "SR" N.C.+2 limit switches</i>	VNC10703	VNC10704	VNC10705	VNC10706	VNC10707	VNC10708	VNC10709	
Kit guarnizioni di ricambio <i>Spare seals KIT</i>	KGVN0103	KGVN0104	KGVN0105	KGVN0106	KGVN0107	KGVN0108	KGVN0109	

	CODICI VIP CON GUARNIZIONI FKM				VIP CODE WITH SEALING IN FKM			
codice VIP doppio effetto "DA" <i>VIP code double acting "DA"</i>	VDA20003	VDA20004	VDA20005	VDA20006	VDA20007	VDA20008	VDA20009	
codice VIP DA+1 finecorsa <i>VIP code DA+1 limit switch</i>	VDA20603	VDA20604	VDA20605	VDA20606	VDA20607	VDA20608	VDA20609	
codice VIP DA+2 finecorsa <i>VIP code DA+2 limit switches</i>	VDA20703	VDA20704	VDA20705	VDA20706	VDA20707	VDA20708	VDA20709	
codice VIP semplice effetto "SR" N.A. <i>VIP code spring return "SR" N.O.</i>	VNA20003	VNA20004	VNA20005	VNA20006	VNA20007	VNA20008	VNA20009	
codice VIP "SR" N.A.+1 finecorsa <i>VIP code "SR" N.O.+1 limit switch</i>	VNA20603	VNA20604	VNA20605	VNA20606	VNA20607	VNA20608	VNA20609	
codice VIP "SR" N.A.+2 finecorsa <i>VIP code "SR" N.O.+2 limit switches</i>	VNA20703	VNA20704	VNA20705	VNA20706	VNA20707	VNA20708	VNA20709	
codice VIP semplice effetto "SR" N.C. <i>VIP code spring return "SR" N.C.</i>	VNC20003	VNC20004	VNC20005	VNC20006	VNC20007	VNC20008	VNC20009	
codice VIP "SR" N.C.+1 finecorsa <i>VIP code "SR" N.C.+1 limit switch</i>	VNC20603	VNC20604	VNC20605	VNC20606	VNC20607	VNC20608	VNC20609	
codice VIP "SR" N.C.+2 finecorsa <i>VIP code "SR" N.C.+2 limit switches</i>	VNC20703	VNC20704	VNC20705	VNC20706	VNC20707	VNC20708	VNC20709	
Kit guarnizioni di ricambio <i>Spare seals KIT</i>	KGVV0103	KGVV0104	KGVV0105	KGVV0106	KGVV0107	KGVV0108	KGVV0109	

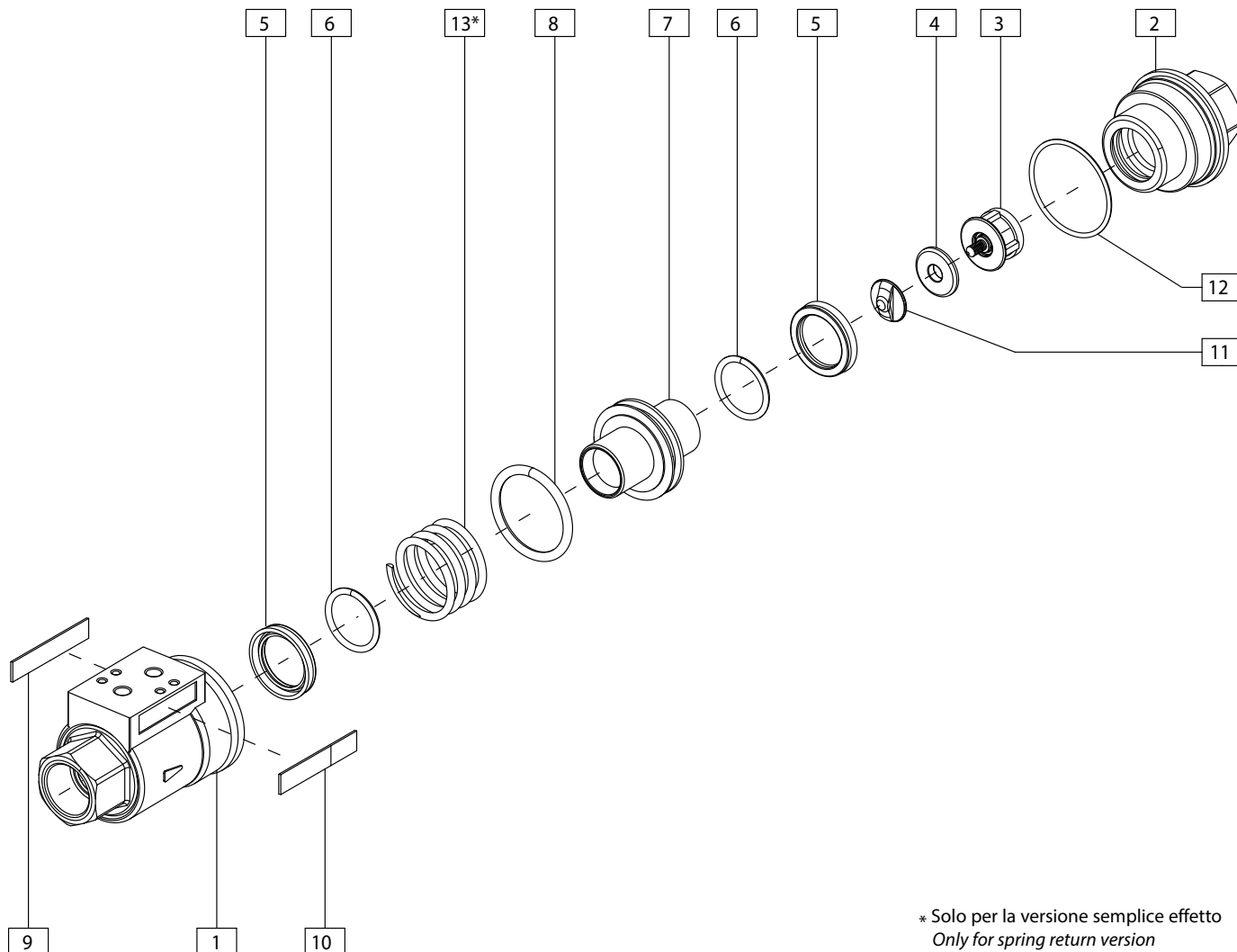
	CODICI VIP CON GUARNIZIONI IN FKM USO OSSIGENO				CODE WITH FKM SEALS OXYGEN USE			
Versione sgrassata per ossigeno <i>Degreased execution for oxygen applications</i>	VNC90503	VNC90504	VNC90505	VNC90506	VNC90507	VNC90508	VNC90509	

	CODICI VIP CON GUARNIZIONI EPDM				VIP CODE WITH SEALING IN EPDM			
codice VIP doppio effetto "DA" <i>VIP code double acting "DA"</i>	VDA30003	VDA30004	VDA30005	VDA30006	VDA30007	VDA30008	VDA30009	
codice VIP DA+1 finecorsa <i>VIP code DA+1 limit switch</i>	VDA30603	VDA30604	VDA30605	VDA30606	VDA30607	VDA30608	VDA30609	
codice VIP DA+2 finecorsa <i>VIP code DA+2 limit switch</i>	VDA30703	VDA30704	VDA30705	VDA30706	VDA30707	VDA30708	VDA30709	
codice VIP semplice effetto "SR" N.A. <i>VIP code spring return "SR" N.O.</i>	VNA30003	VNA30004	VNA30005	VNA30006	VNA30007	VNA30008	VNA30009	
codice VIP "SR" N.A.+1 finecorsa <i>VIP code "SR" N.O.+1 limit switch</i>	VNA30603	VNA30604	VNA30605	VNA30606	VNA30607	VNA30608	VNA30609	
codice VIP "SR" N.A.+2 finecorsa <i>VIP code "SR" N.O.+2 limit switches</i>	VNA30703	VNA30704	VNA30705	VNA30706	VNA30707	VNA30708	VNA30709	
codice VIP semplice effetto "SR" N.C. <i>VIP code spring return "SR" N.C.</i>	VNC30003	VNC30004	VNC30005	VNC30006	VNC30007	VNC30008	VNC30009	
codice VIP "SR" N.C.+1 finecorsa <i>VIP code "SR" N.C.+1 limit switch</i>	VNC30603	VNC30604	VNC30605	VNC30606	VNC30607	VNC30608	VNC30609	
codice VIP "SR" N.C.+2 finecorsa <i>VIP code "SR" N.C.+2 limit switches</i>	VNC30703	VNC30704	VNC30705	VNC30706	VNC30707	VNC30708	VNC30709	
Kit guarnizioni di ricambio <i>Spare seals KIT</i>	KGVE0103	KGVE0104	KGVE0105	KGVE0106	KGVE0107	KGVE0108	KGVE0109	

Per tutti i modelli, la versione ATEX si ottiene aggiungendo YX alla fine del codice
 For all the models, to create the ATEX code please add YX at the end of the standard version code



VIP



* Solo per la versione semplice effetto
Only for spring return version

MATERIALI MATERIALS

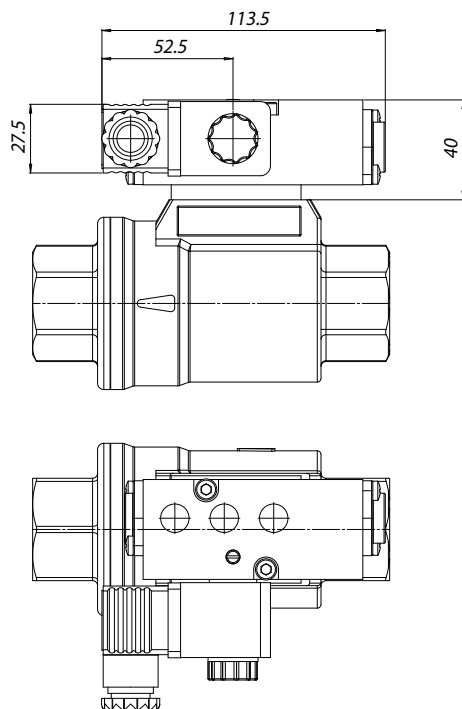
Pos.	Denominazione Description	Q.ty	Materiale Material	Trattamento Treatment
1	corpo body	1	ottone brass CW617N	nichelato nickel plated
2	manicotto sleeve	1	ottone brass CW617N	nichelato nickel plated
3	seggio di tenuta seat	1	ottone brass CW617N	nichelato nickel plated
4**	guarnizione di battuta seat-seal	1	NBR/FKM/EPDM	
5**	guarnizione a labbro lip seal	2	NBR/FKM/EPDM	
6**	O-ring stelo stem O-ring	2	NBR/FKM/EPDM	
7	pistone piston	1	ottone brass CW617N	nichelato nickel plated
8**	O-ring pistone piston O-ring	1	NBR/FKM/EPDM	
9	etichetta tecnica technical label	1	Poliestere Polyestere	
10	etichetta OMAL OMAL label	1	Poliestere Polyestere	
11	ghiera di battuta seat nut	1	ottone brass CW614N	nichelato nickel plated
12**	O-ring manicotto sleeve O-ring	1	NBR/FKM/EPDM	
13	molla (solo per SR) spring (only for SR)	1	Acciaio inox Stainless steel	

** Particolari del kit di ricambio Components of spare part kit

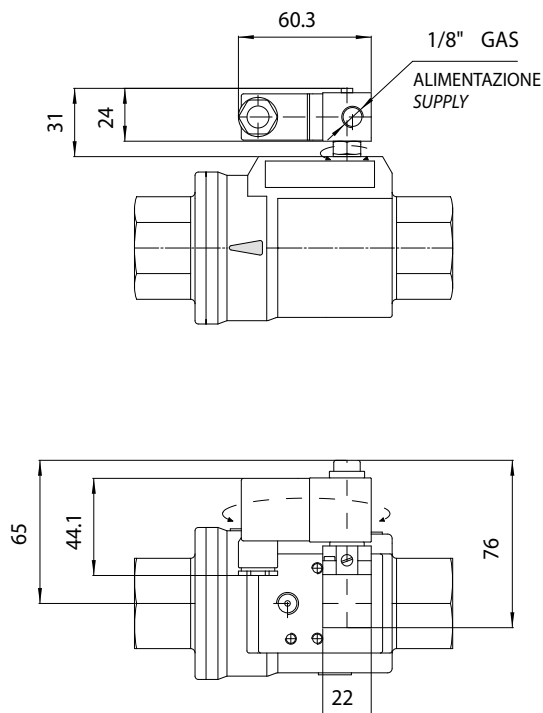


ACCESSORI VIP VIP ACCESSORIES

ELETTRORVALVOLA NAMUR		NAMUR SOLENOID VALVE			
Elettrovalvola Solenoid valve	ER8188A2	ER8188A4	ER8188A5	ER8188C2	ER8188C4
Voltaggio Voltage	24V AC	115V AC	230V AC	24V DC	110V DC



MICROELETTRORVALVOLA		MICRO SOLENOID VALVE			
Elettrovalvola Solenoid valve	EP415024	EP415110	EP415220	EP412012	EP412024
Voltaggio Voltage	24V AC	115V AC	230V AC	12V DC	24V DC



Elettrovalvola 5/2 a norma NAMUR

- L'elettrovalvola è predisposta per la selezione tra la funzione 5/2 e 3/2 vie che si realizza utilizzando l'appropriata piastra di interfacciamento dell'elettrovalvola.
- Potenza assorbita D.C.: 2,5 W.
- Potenza assorbita A.C.: 2 W.
- Tolleranza tensione di alimentazione: $\pm 10\%$.
- Classe isolamento bobina: F.
- Grado di protezione con connettore: IP 65.
- Connessione elettrica: PG 9.
- Connessioni pneumatiche: alimentazione 1/4"; scarico 1/4" ISO 228.
- Pressione elettrovalvola max.: 10 bar.
- Temperatura fluido di alimentazione: da -10°C a +80°C.
- Temperatura ambiente: da -10°C a +50°C.

Solenoid valve 5/2 as per NAMUR

- *This solenoid valve is designed for the selection of the functions 5/2 and 3/2, which is realized by using the appropriate plate.*
- *Full-working input power - D.C.: 2,5 W.*
- *Full-working input power - A.C.: 2 W.*
- *Supply voltage tolerances: +/- 10%.*
- *Coil insulation: F-class.*
- *Protection with connector: IP65.*
- *Electric connection: PG 9.*
- *Pneumatic connections: inlet 1/4"; outlet 1/4" ISO 228.*
- *Max. pressure: 10 bar.*
- *Operating media temperature: from -10°C to +80°C.*
- *Ambient temperature: from -10°C to +50°C.*

Microelettrovalvola universale compatta

- Il collegamento dell'elettrovalvola è eseguito direttamente nella presa d'aria dell'attuatore, eliminando qualsiasi pezzo intermedio e viti di fissaggio.
- Elettrovalvola del tipo 3/2 con un solenoide disponibile con le seguenti tensioni: 24-110-220V AC; 12-24V DC.
- Potenza assorbita allo spunto - A.C.: 9 VA.
- Potenza assorbita a regime - D.C.: 5 W.
- Potenza assorbita a regime - A.C.: 6 VA.
- Tolleranza tensione di alimentazione: $\pm 10\%$.
- Classe di isolamento filo di rame: H.
- Classe isolamento bobina: F.
- Grado di protezione con connettore: IP 65.
- Connessione elettrica: PG 9 (orientabile 360°).
- Connessione pneumatica: 1/8" ISO 228 (orientabile 360°).
- Pressione elettrovalvola max.: 10 bar.
- Temperatura fluido di alimentazione: da -10°C a +50°C.
- Temperatura ambiente: da -10°C a +50°C.
- Diametro nominale di passaggio 1,3 mm.

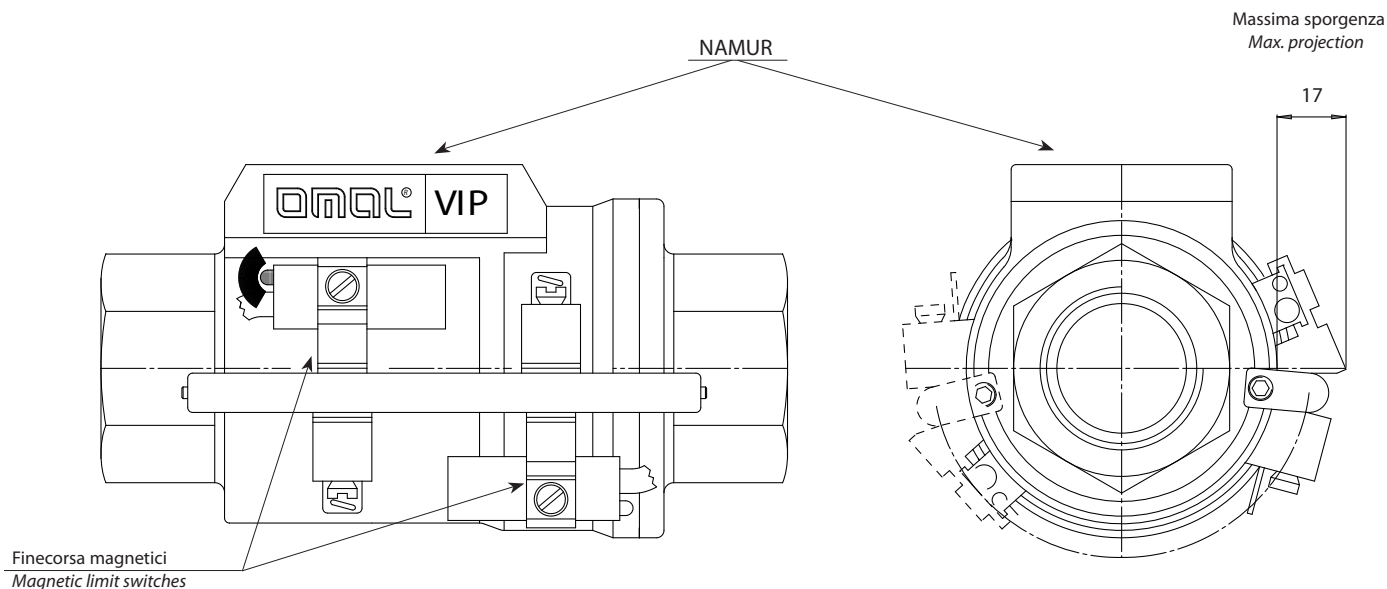
Micro solenoid valve :

- *This solenoid valve is connected by a joint which fits directly to the actuator air intake, without other fittings or fixing screws.*
- *3/2 solenoid valve, with solenoid available in the following voltages: 24-110-220V AC; 12-24V DC.*
- *Starting input power - A.C.: 9 VA.*
- *Full-working input power - D.C.: 5 W.*
- *Full-working input power - A.C.: 6 VA.*
- *Supply voltage tolerances: +/- 10%.*
- *Copper wire insulation: H-class.*
- *Coil insulation: F-class.*
- *Protection with connector: IP65.*
- *Electric connection: PG 9 any orientation acceptable 360°.*
- *Pneumatic connections: 1/8" ISO 228 any orientation acceptable 360°.*
- *Max. pressure: 10 bar.*
- *Operating media temperature: from -10°C to +50°C.*
- *Ambient temperature: from -10°C to +50°C.*
- *ø Bore 1,3 mm.*



ACCESSORI VIP VIP ACCESSORIES

FINECORSA LIMIT-SWITCH

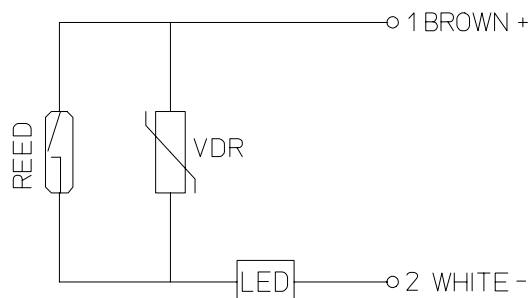


VIP é predisposta per l'utilizzo di finecorsa induttivi a contatto magnetico, con led di segnalazione, i quali vengono forniti con un kit che ne consente un rapido fissaggio su gran parte della circonferenza esterna.

I magneti per la rilevazione della posizione tramite finecorsa si trovano all'interno, di conseguenza si possono installare solamente durante l'assemblaggio del VIP e non in fase successiva. Per questo motivo é necessario specificare in fase d'ordine la richiesta di finecorsa.

*VIP can be provided with magnetic contact inductive limit switches and signalling LED. Limit switches are supplied with a KIT which makes it possible to fix them on the outside easily and quickly. **Since the magnets are situated inside the valve, they must be assembled while mounting the VIP and not afterwards. That's the reason why the limit switches must be requested on ordering the valve.***

Schema elettrico dei finecorsa *Limit-switch electric plan*



CARATTERISTICHE ELETTRICHE DEI FINECORSA	LIMIT-SWITCH ELECTRICAL FEATURES
Indicatore di commutazione <i>Switch indicator</i>	LED
Grado di protezione <i>Protection level</i>	IP 67
Tensione nominale a corrente continua <i>Nominal voltage with direct current</i>	3÷250 V dc
Tensione nominale a corrente alternata <i>Nominal voltage with alternating current</i>	3÷250 V ac
Caduta massima di tensione <i>Maximum voltage drop</i>	2,5 V
Potenza massima in corrente continua <i>Maximum power with direct current</i>	50 W
Potenza massima in corrente alternata <i>Maximum power with alternating current</i>	50 VA
Corrente massima a 25°C (carico resistivo) <i>Maximum current at 25°C (resistive load)</i>	1 A
Protezione contro i picchi di tensione induttivi <i>Protection against inductive tension peaks</i>	250 VR
Protezione polarità inversa <i>Inverse polarity protection</i>	•
Massimo carico applicabile (bobina con soppressore di sovratensioni) <i>Maximum applicable load (coil with overvoltage suppressor)</i>	10 W
Massimo carico applicabile (bobina semplice) <i>Maximum applicable load (simple coil)</i>	10 W
Massimo carico applicabile (PLC) <i>Maximum applicable load (PLC)</i>	•
Vita elettrica (carico resistivo 20% pot. max. distanza breve tra carico e interruttore) <i>Electric life (resistive load 20% max. power short distance between load and switch)</i>	10x10 ⁶
Ripetibilità <i>Repeatability</i>	0,1 mm
Tempo di azionamento (carico resistivo) <i>Operating time (resistive load)</i>	2 ms
Tempo di rilascio (carico resistivo) <i>Release time (resistive load)</i>	0,1 ms
Temperatura d'uso <i>Working temperature</i>	-30÷+80 °C
Resistenza all'urto (11ms) <i>Impact resistance (11ms)</i>	50 g
Resistenza alle vibrazioni <i>Vibration resistance</i>	1000 Hz
Tipo di sensore <i>Sensor type</i>	1
Cavo di collegamento 2m <i>Connecting cable 2m</i>	n° 2 fili



DIAGRAMMA PORTATA - PERDITA DI CARICO E COEFFICIENTE NOMINALE
FLOW PRESSURE DROP DIAGRAM AND Kv NOMINAL COEFFICIENT

Il valore Kv è il valore di portata in m³/h (con acqua a 15°C) provocante la caduta di pressione di 1 bar. Kv is the coefficient, expressed in m³/h (with water at 15°C) causing a pressure loss of 1 bar.

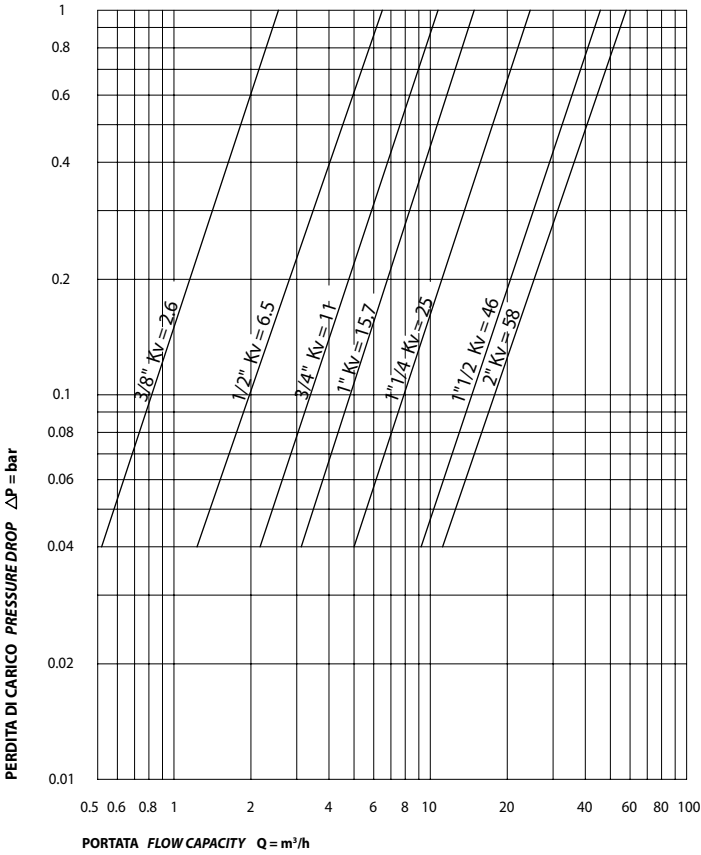


DIAGRAMMA PRESSIONE TEMPERATURA VIP EPDM
VIP EPDM PRESSURE TEMPERATURE DIAGRAM

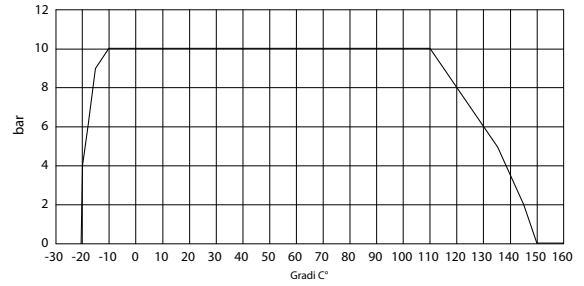


DIAGRAMMA PRESSIONE TEMPERATURA VIP NBR
VIP NBR PRESSURE TEMPERATURE DIAGRAM

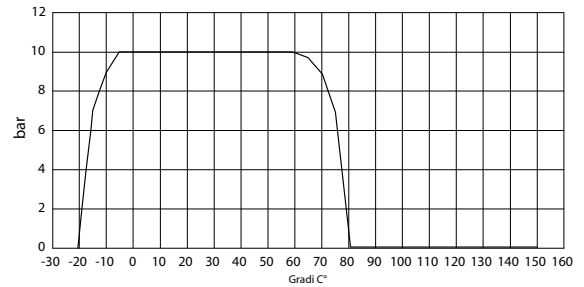
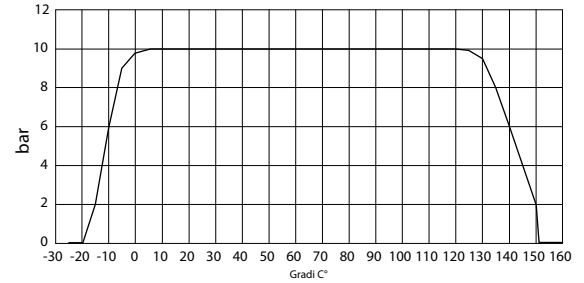
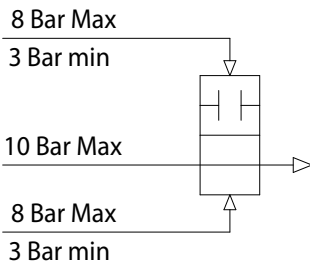


DIAGRAMMA PRESSIONE TEMPERATURA VIP FKM
VIP FPM PRESSURE TEMPERATURE DIAGRAM

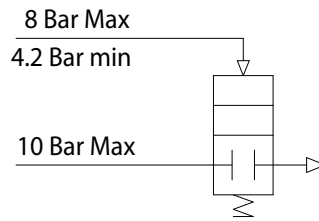


SCHEMI DI FUNZIONAMENTO WORKING PLAN



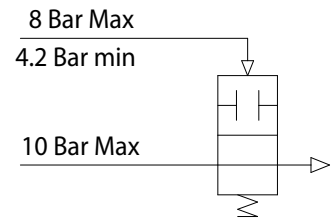
Schema di funzionamento nella configurazione
 doppio effetto

Double acting VIP Working plan



Schema di funzionamento nella configurazione
 semplice effetto normalmente chiuso

Spring return Normally closed VIP
 Working plan



Schema di funzionamento nella configurazione
 semplice effetto normalmente aperto

Spring return Normally open VIP
 Working plan







3.2

VIP

VIP

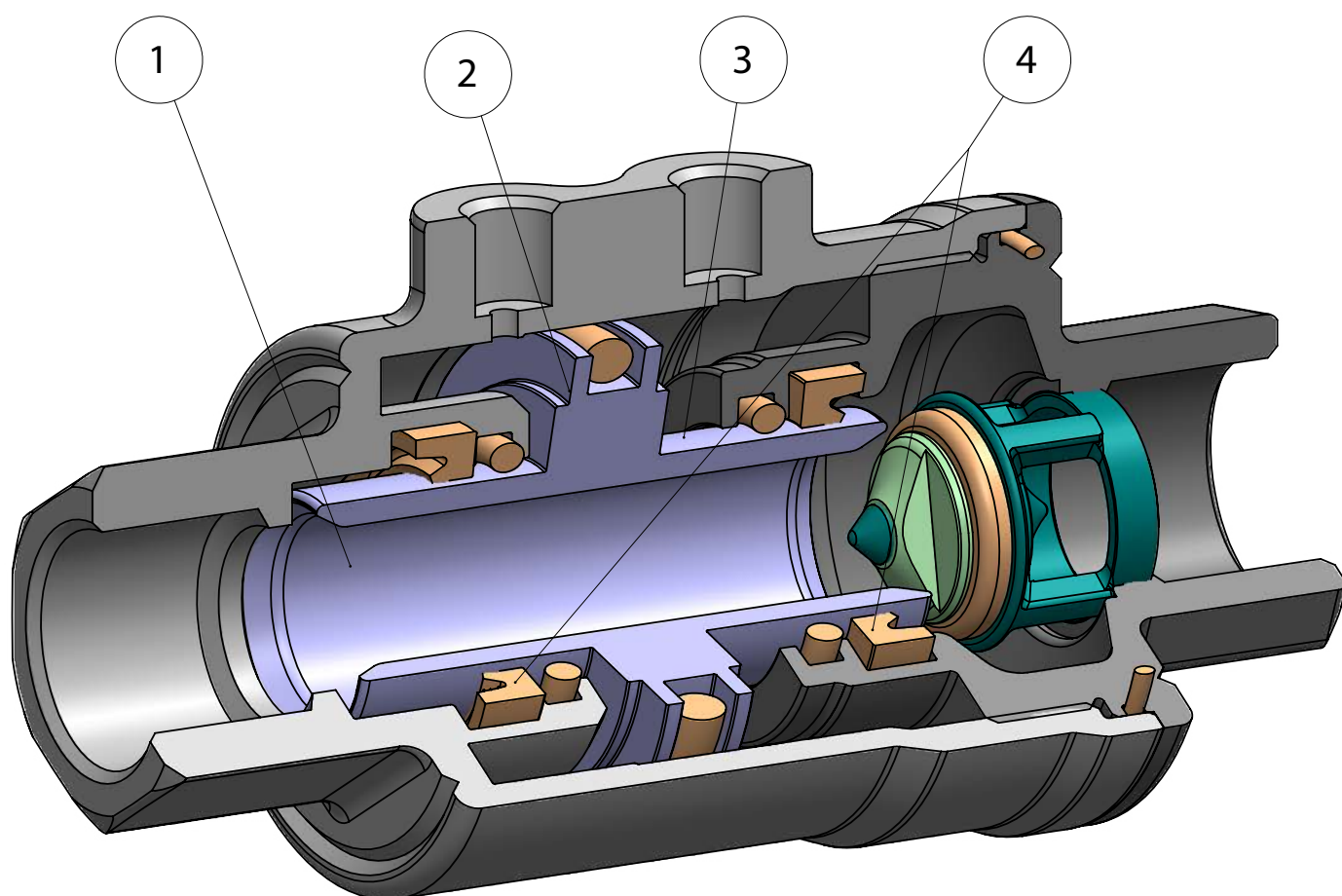
Nuovo modello
New model



VIP

VALVOLA DI INTERCETTAZIONE PNEUMATICA PNEUMATIC COAXIAL VALVE

Nuovo modello
New model





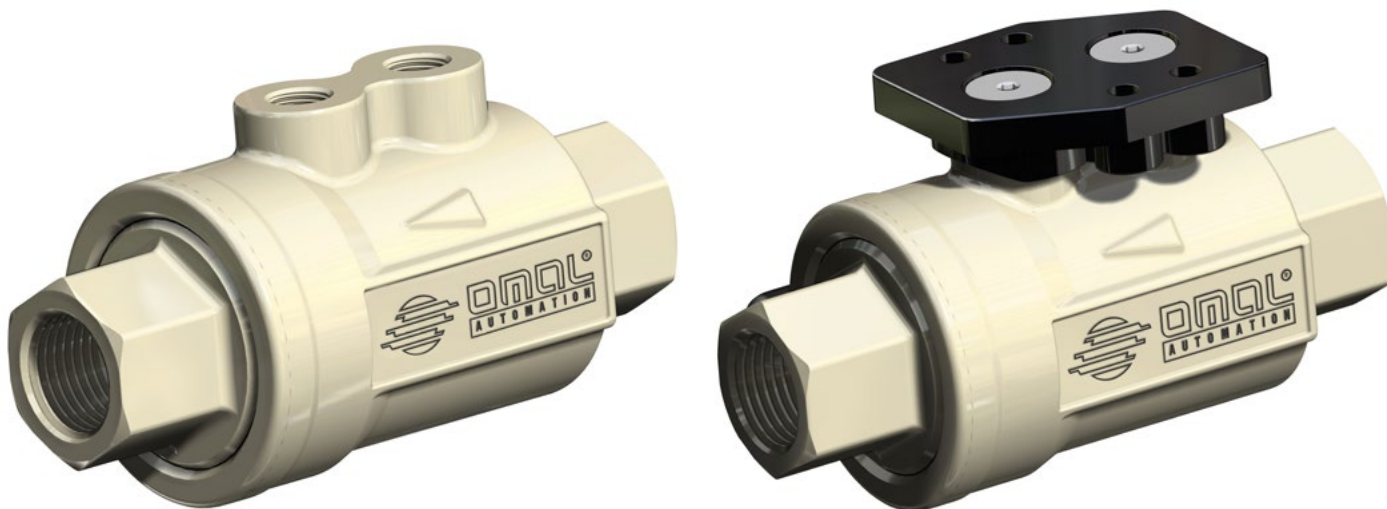
FEATURES & BENEFITS

1	Diametro di passaggio interno uguale al diametro di passaggio del tubo <i>Internal diameter equal to the diameter of the pipe</i>	Geometria ottimizzata per massimizzare la portata <i>Optimised geometry to maximise flow rate</i>
2	Attuatore e valvola integrati in un unico prodotto <i>Pneumatic actuator integrated in the valve</i>	Minor ingombro (-60%) e costi ridotti rispetto ad una valvola attuata <i>Space saving (-60%) and reduced costs compared to an automated valve</i>
3	Pistone con nichelatura chimica (20-25 micron) <i>Piston with chemical nickel plating (20-25 micron)</i>	Maggior protezione contro gli agenti corrosivi <i>High corrosion resistance</i>
		Minor usura delle guarnizioni grazie all'aumento di durezza superficiale (400 -550 HV) <i>Lower wear of the seals due to the increase of the surface hardness (400 -550 HV)</i>
4	Guarnizioni a labbro <i>Lip seals</i>	Minor usura della guarnizione rispetto ad un o-ring <i>Less wear of the seal comparing with an o-ring</i>
	Varie guarnizioni di tenuta <i>Several seal materials available</i>	Massima compatibilità con diverse tipologie di fluidi a seconda della guarnizione montata (EPDM, NBR, FKM) <i>Maximum compatibility with different types of fluids depending by the seals used</i>
	Assenza di parti mobili esterne <i>No external moving parts</i>	Rischi di infortuni ridotti <i>Maximum safety</i>
		Facilità di montaggio in ogni posizione <i>Easy mounting</i>
	Lunga vita garantita <i>Long life time granted</i>	Durata 10 volte superiore rispetto alla valvola a sfera con costi di manutenzione ridotti <i>Lifetime 10 times longer than a ball valve with with reduced maintenance costs</i>
	Processo produttivo interamente realizzato in OMAL <i>100% in- house manufacturing process technology</i>	Massimo controllo in tutte le fasi di lavorazione <i>Maximum control and accuracy in all the stages of the manufacturing process</i>
	Minor consumo d'aria <i>Less Air consumption</i>	Risparmio d'aria pari ad un 80% rispetto ad una valvola attuata con attuatore semplice effetto con conseguente minor carico di lavoro del compressore o possibilità di utilizzo di un compressore con dimensioni ridotte <i>80% less air consumption compared to an actuated valve with SR pneumatic actuator therefore less load on the compressor or the possibility of using a smaller compressor's size.</i>
	Certificato ATEX <i>ATEX Certificate</i>	Ne consente l'installazione in presenza di ambiente potenzialmente esplosivo <i>Installation is allowed in a potential explosive environment</i>
	Certificato PED <i>PED Certificate</i>	Piena conformità alle norme di sicurezza europee per i dispositivi in pressione <i>Full compliance with European Safety Standards for Pressure Equipment</i>



VIP

VALVOLA DI INTERCETTAZIONE PNEUMATICA PNEUMATIC COAXIAL VALVE



CARATTERISTICHE GENERALI:

- Disponibile nelle versioni doppio effetto "DA" e semplice effetto "SR" (sia normalmente aperto sia normalmente chiuso) con misure da 3/8" a 2".
- Flusso unidirezionale.
- Attacchi filettati GAS EN 10226-1 Rp (ISO 7/1) - DIN 2999 (a richiesta filetti NPT) con connessioni del fluido di comando secondo interfaccia NAMUR (opzionale).
- L'ottimizzazione della fluidodinamica interna ha consentito la realizzazione di un condotto con perdite di carico ridotte al minimo: vedi diagramma portate.
- Possibilità di utilizzo in qualsiasi posizione di montaggio (orizzontale, verticale, obliqua).
- Disponibile con guarnizioni NBR, FKM ed EPDM:
 - **NBR**: compatibile con aria, fluidi gassosi, olii, acqua, etc.
 - **FKM**: ottima compatibilità con la maggior parte dei fluidi. Sconsigliato per il vapore.
 - **EPDM**: ottima compatibilità con acqua calda. Non compatibile con prodotti minerali (oli, grassi etc.).
- Possibilità di segnalare l'apertura o chiusura della valvola tramite l'applicazione di finecorsa induttivi a contatto magnetico esterni (disponibili a richiesta) previo acquisto della versione VIP con magnete interno, da specificare in fase d'ordine.
- Classe di tenuta VI secondo IEC 60534-4 (ANSI-FCI 70-2 classe VI).
- **Conforme alla direttiva Europea 2014/68/UE "PED"**
- **Configurazione ATEX 2014/34/UE da richiedere in fase d'ordine.**

GENERAL FEATURES:

- Both Double Acting and Spring Return VIP valves (either Normally Open or Normally Closed) are available in sizes ranging from 3/8" to 2".
- Unidirectional flow.
- GAS threaded ends as per EN 10226-1 Rp (ISO 7/1) - DIN 2999 (NPT threads on request) with control fluid connections as per NAMUR interface (optional).
- Improved fluid dynamics allow minimum pressure losses. See Flow Pressure Diagram.
- VIP valves can be used in any mounting position (horizontal, vertical or oblique).
- They can be provided with seals in NBR, FKM or EPDM:
 - **NBR**: suitable for air, gaseous fluids, oils, water etc.
 - **FKM**: perfectly suitable for most fluid. Unsuitable for steam.
 - **EPDM**: perfectly suitable for hot water. Unsuitable for mineral products (oils, grease, etc.).
- Possibility to check open / close valve position thanks to inductive limit switches (magnetic contact) available on request. Internal magnet needs to be requested at VIP order phase.
- Leakage rate class VI according to IEC 60534-4 (ANSI-FCI 70-2 class VI).
- **According to 2014/68/EU "PED"**
- **2014/34/EU ATEX configuration to request at time of order.**

FLUIDO DI COMANDO:

- Aria compressa filtrata non necessariamente lubrificata; con temperatura da -20°C a 0°C usare aria secca.
- In caso di lubrificazione usare olio compatibile con le guarnizioni impiegate.
- Pressione di comando: min. 3 bar; max. 8.5 bar nella versione doppio effetto - min. 4,2 bar; max. 8.5 bar nelle versioni semplice effetto.

CONTROL MEDIA:

- Filtered compressed air, not necessarily lubricated. At temperatures from -20°C to 0°C, use dry air.
- In case of lubricated air, seal compatible oil must be used.
- Air supply: 3 bar min.- 8.5 bar max. in Double Acting execution. 4,2 bar min.- 8.5 bar max. in Spring Return execution.

FLUIDO INTERCETTATO:

- Pressione: max. 10 bar, vedere diagramma.
- Temperatura:
 - NBR (anche versione con magnete): da -20°C (-4°F) a +80°C (176°F)
 - EPDM ed FKM senza magnete: da -20°C (-4°F) a +150°C (302°F)
 - EPDM ed FKM con magnete: da -20°C (-4°F) a +90°C (194°F)
- Tenuta al vuoto: 97% vuoto (circa 30 mbar assoluti, -980 mbarg). Valore di perdita 10^{-6} mbar·l/s (Valore inferiore a 2g di aria a temperatura ambiente l'anno).

OPERATING MEDIA:

- Pressure: 10 bar max, see diagram.
- Temperature:
 - NBR (also version with magnet): from -20°C (-4°F) a +80°C (176°F)
 - EPDM and FKM without magnet: from -20°C (-4°F) a +150°C (302°F)
 - EPDM and FKM with magnet: from -20°C (-4°F) a +90°C (194°F)
- Vacuum tightness: 97% vacuum (about 30 mbar absolut, -980 mbarg). Leakage rate 10^{-6} mbar·l/s (Value less than 2g of air at room temperature per year).



Principio di funzionamento

La valvola di intercettazione pneumatica VIP (di esclusivo brevetto OMAL) è, a tutti gli effetti, una valvola automatica che raggruppa, in un unico dispositivo, sia il meccanismo di intercettazione (tra il condotto C-D) che quello di comando (A-B).

Il principio di funzionamento si basa sul movimento interno di un pistone dovuto alla pressione del fluido di comando. Il pistone, esaurita la sua corsa (VIP è una valvola on/off), preme o si stacca dalla guarnizione del seggio di tenuta, consentendo o impedendo il passaggio del liquido intercettato. Dato che la tenuta è realizzata sul seggio e le pressioni del fluido intercettato si scaricano sul medesimo, la pressione necessaria al movimento del pistone risulta indipendente da quella del fluido intercettato. Questo ha permesso di contenere i pesi e gli ingombri e di garantire un altissimo numero di manovre di apertura e chiusura. La valvola è a passaggio totale e l'accurato studio della fluidodinamica interna consente di ridurre al minimo le turbolenze e le perdite di carico.

Working principle

A VIP valve (patented by OMAL exclusively) is a proper automatic valve embodying both interception device (between pipe C-D) and control device (A-B). It works thanks to the internal movement of a piston supplied with air. At the end of its stroke (a VIP valve is an ON/OFF valve), the piston presses on the seat seal or moves away from it letting the intercepted fluid flow or stopping it from flowing. As the seat is perfectly tight and the intercepted fluid pressures discharge on it, the pressure necessary to move the piston is completely independent of the fluid pressure. As a result OMAL has been able to design a light space saving and lasting valve. Its full bore and its improved internal dynamics allow minimum pressure losses, too.

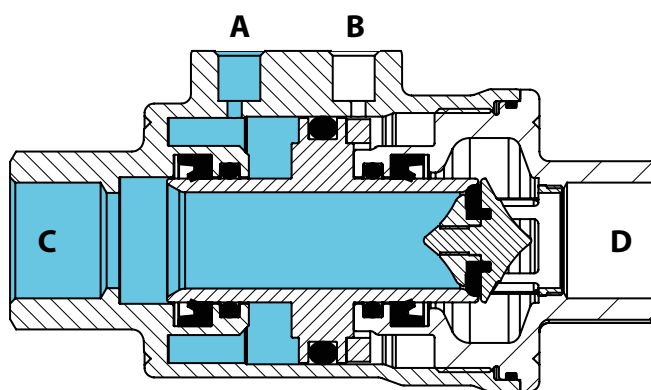
Valvola chiusa

Immettendo aria nel foro di comando "A" (il foro "B" deve essere a scarico) il pistone, esaurita la sua corsa, preme sulla guarnizione del seggio di tenuta: la valvola è chiusa.

Nelle versioni SEMPLICE EFFETTO N.C. la molla è alloggiata nella camera "A" questo fa sì che, in mancanza di comando, il pistone sia a contatto con la guarnizione del seggio di tenuta: la posizione preferenziale è quindi quella chiusa.

Closed valve

Supplying the hole "A" with air (the hole "B" must be discharging) at the end of its stroke the piston presses on the seat seal: the valve is closed. As in Spring Return N.C. executions the spring is in "A", if there is no control, the piston will touch the seat seal: therefore, the preferable position is the closed one.



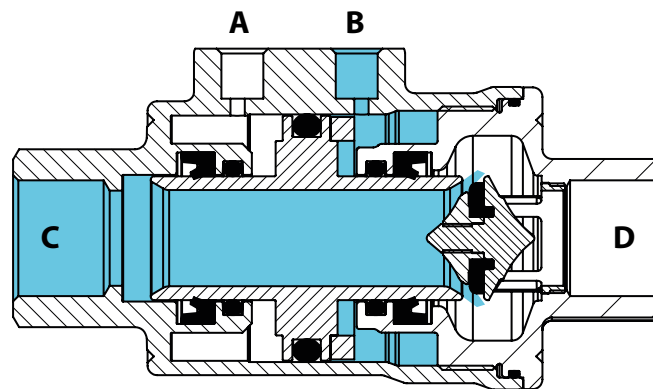
Fase transitoria

Durante la fase transitoria (la figura indica il transitorio di apertura della versione DOPPIO EFFETTO) viene data pressione a uno dei due fori di alimentazione. Il pistone si muove assialmente modificando lo stato di apertura o chiusura preesistente. Nella versione SEMPLICE EFFETTO N.C. la chiusura viene determinata dalla molla (in assenza di comando). Nella versione SEMPLICE EFFETTO N.A. l'apertura viene determinata dalla molla (in assenza di comando). La fase transitoria sia in apertura che in chiusura ha una durata inferiore al secondo.

Transitory phase

During the transitory phase (the picture shows the opening transition in a Double Acting execution), one of the two holes is supplied. The piston moves axially changing the previous closed or open state. In Spring Return N.C. executions, the closing is caused by the spring (if there is no control). In Spring Return N.O. executions, the opening is caused by the spring (if there is no control).

Both opening and closing transitory phases last less than a second.



Valvola aperta

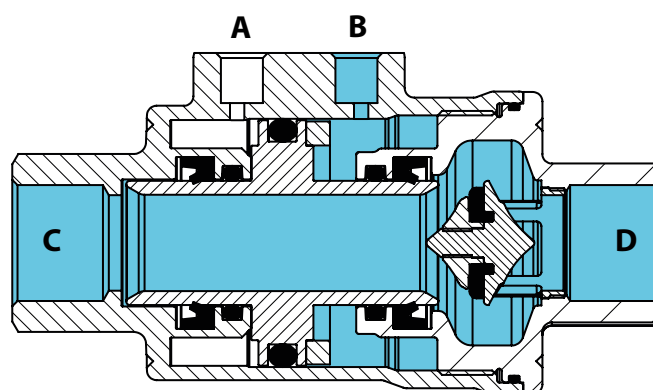
Immettendo aria nel foro di alimentazione "B" (il foro "A" deve essere a scarico) il pistone, esaurita la sua corsa, si trova alla massima distanza dal seggio di tenuta: la valvola è aperta.

Nelle versioni SEMPLICE EFFETTO N.A. la molla è alloggiata nella camera "B" questo fa sì che, in mancanza di comando, il pistone sia lontano dal seggio di tenuta: la posizione preferenziale è quindi quella aperta.

Opened valve

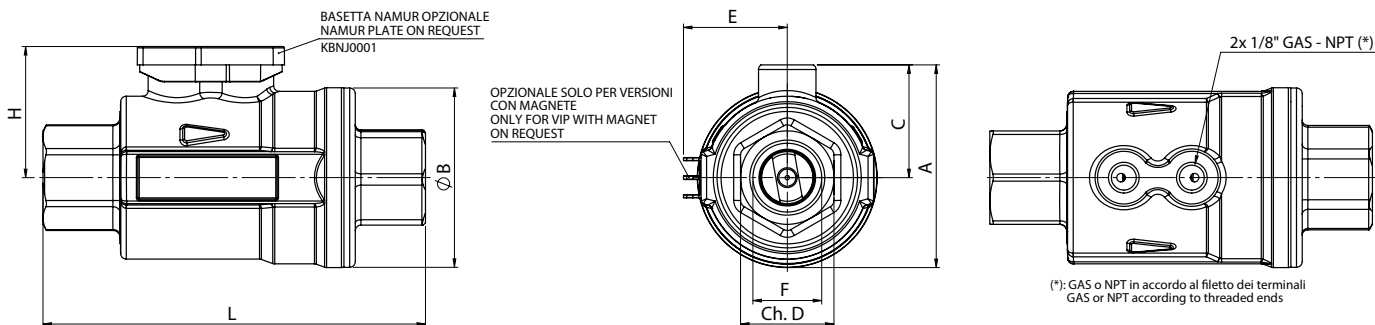
Supplying the hole "B" with air (the hole "A" must be discharging) at the end of its stroke the piston is at maximum distance from the seat seal: the valve is open.

As in Spring Return N.O. executions the spring is in "B", if there is no control, the piston will be away from the seat seal: therefore, the preferable position is the open one.

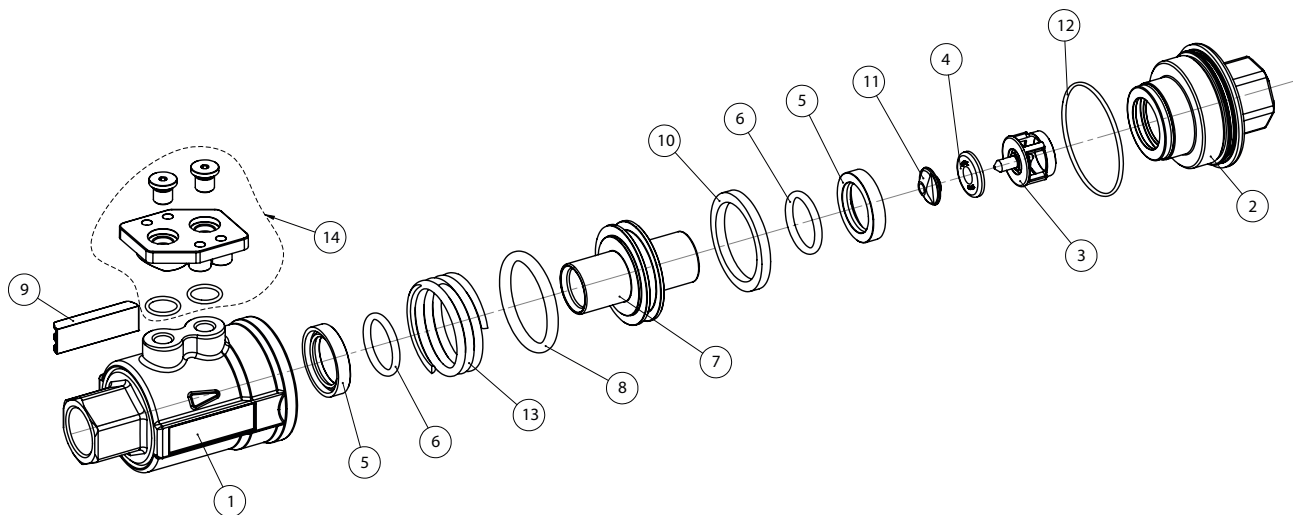




VIP



		DIMENSIONI		DIMENSIONS									
DN diametro nominale	DN nominal diameter	mm	10	15	20	25	32	40	50				
Misura size F		GAS/NPT	3/8"	1/2"	3/4"	1"	1 1/4"	1 1/2"	2"				
Passaggio Bore		mm [in]	10 [0.39]	15 [0.59]	20 [0.79]	25 [0.98]	32 [1.26]	40 [1.57]	50 [1.97]				
A		mm [in]	53,5 [2.11]	59 [2.32]	71 [2.80]	76 [2.99]	91 [3.58]	102 [4.02]	114,5 [4.51]				
B		mm [in]	46 [1.81]	52 [2.05]	63,5 [2.50]	69 [2.72]	86 [3.39]	96 [3.78]	109 [4.29]				
C		mm [in]	30,5 [1.20]	33,5 [1.32]	39 [1.54]	41,5 [1.63]	48 [1.89]	54 [2.13]	59,8 [2.35]				
Ch. D		mm [in]	22 [0.87]	27 [1.06]	33 [1.30]	41 [1.61]	50 [1.97]	60 [2.36]	70 [2.76]				
E		mm [in]	28,2 [1.11]	31,5 [1.24]	37,5 [1.48]	38,5 [1.52]	46 [1.81]	51,5 [2.03]	57,5 [2.26]				
H		mm [in]	37 [1.46]	40 [1.57]	45,5 [1.81]	48 [1.89]	55 [2.17]	61 [2.40]	67 [2.64]				
L (GAS)		mm [in]	98 [3.86]	112 [4.41]	135 [5.31]	143 [5.63]	165 [6.50]	180 [7.09]	205 [8.07]				
L (NPT)		mm [in]	92,5 [3.64]	106 [4.17]	126 [4.96]	136 [5.35]	154 [6.06]	171 [6.73]	187 [7.36]				
Aria doppio effetto Double acting air		"dm3/ciclo [in3/cycle]"	0,024 [1.46]	0,042 [2.56]	0,074 [4.52]	0,082 [5]	0,15 [9.2]	0,22 [13.3]	0,25 [15.4]				
Aria semplice effetto Spring return air		"dm3/ciclo [in3/cycle]"	0,011 [0.67]	0,021 [1.28]	0,034 [2.07]	0,037 [2.26]	0,07 [4.2]	0,10 [6.1]	0,13 [7.8]				
Peso doppio effetto "DA" Weight double acting "DA"		kg [lb]	0,6 [1.3]	0,8 [1.8]	1,3 [2.9]	1,7 [3.6]	2,8 [6.2]	3,7 [8.2]	5,1 [11.2]				
Peso semplice effetto "SR" Weight spring return "SR"		kg [lb]	0,6 [1.3]	0,85 [1.9]	1,4 [3]	1,8 [4]	3 [6.5]	3,9 [8.6]	5,4 [11.9]				
Tempo azionamento indicativo Approx. switching time		ms	40	55	60	70	80	120	160				



		MATERIALI		MATERIALS	
Pos.	Descrizione Description	Q.ty	Materiale Material	Trattamento Treatment	
1	corpo body	1	ottone brass CW617N	nicelato nickel plated	
2	manicotto sleeve	1	ottone brass CW617N	nicelato nickel plated	
3	seggio di tenuta seat	1	ottone brass CW617N	nicelato nickel plated	
4*	guarnizione di battuta seat-seal	1	NBR/EPDM/FKM	-	
5*	guarnizione a labbro lip seal	2	NBR/EPDM/FKM	-	
6*	o-ring stelo stem O-ring	2	NBR/EPDM/FKM	-	
7	pistone piston	1	ottone brass CW617N	nicelato nickel plated	
8*	o-ring pistone piston O-ring	1	NBR/EPDM/FKM	-	
9**	binario finecorsa limit switch bracket	1	PA6+20% Vetro Glass	-	
10**	anello magnetico magnetic ring	1	plastroferrite	-	
11	ghiera di battuta seat nut	1	ottone brass CW614N	nicelato nickel plated	
12*	o-ring manicotto sleeve O-ring	1	NBR/EPDM/FKM	-	
13	molla spring	1	302 S.S.	-	
14**	kit basetta Namur Kit Namur plate	1	PA66+30% Vetro, inserti ottone Glass, brass inserts	-	

* Particolari del kit di ricambio Components of spare part kit

** Particolari opzionali Optional parts



VIP

CODICI GAS GAS CODES

NBR		CODICI GAS CON GUARNIZIONI NBR				GAS CODES WITH NBR SEALING	
DN [mm]	[inch]	SR N.C.		SR N.O.		DA	
		Semplice effetto "N.C." Spring return "N.C."	+ magnete e binario* + magnet and bracket*	Semplice effetto "N.O." Spring return "N.O."	+ magnete e binario* + magnet and bracket*	Doppio effetto Double acting	+ magnete e binario* + magnet and bracket*
10	3/8"	VC0B00003	VC0BM0003	VA0B00003	VA0BM0003	VD0B00003	VD0BM0003
15	1/2"	VC0B00004	VC0BM0004	VA0B00004	VA0BM0004	VD0B00004	VD0BM0004
20	3/4"	VC0B00005	VC0BM0005	VA0B00005	VA0BM0005	VD0B00005	VD0BM0005
25	1"	VC0B00006	VC0BM0006	VA0B00006	VA0BM0006	VD0B00006	VD0BM0006
32	1"1/4	VC0B00007	VC0BM0007	VA0B00007	VA0BM0007	VD0B00007	VD0BM0007
40	1"1/2	VC0B00008	VC0BM0008	VA0B00008	VA0BM0008	VD0B00008	VD0BM0008
50	2"	VC0B00009	VC0BM0009	VA0B00009	VA0BM0009	VD0B00009	VD0BM0009

EPDM		CODICI GAS CON GUARNIZIONI EPDM				GAS CODES WITH EPDM SEALING	
DN [mm]	[inch]	SR N.C.		SR N.O.		DA	
		Semplice effetto "N.C." Spring return "N.C."	+ magnete e binario* + magnet and bracket*	Semplice effetto "N.O." Spring return "N.O."	+ magnete e binario* + magnet and bracket*	Doppio effetto Double acting	+ magnete e binario* + magnet and bracket*
10	3/8"	VC0E00003	VC0EM0003	VA0E00003	VA0EM0003	VD0E00003	VD0EM0003
15	1/2"	VC0E00004	VC0EM0004	VA0E00004	VA0EM0004	VD0E00004	VD0EM0004
20	3/4"	VC0E00005	VC0EM0005	VA0E00005	VA0EM0005	VD0E00005	VD0EM0005
25	1"	VC0E00006	VC0EM0006	VA0E00006	VA0EM0006	VD0E00006	VD0EM0006
32	1"1/4	VC0E00007	VC0EM0007	VA0E00007	VA0EM0007	VD0E00007	VD0EM0007
40	1"1/2	VC0E00008	VC0EM0008	VA0E00008	VA0EM0008	VD0E00008	VD0EM0008
50	2"	VC0E00009	VC0EM0009	VA0E00009	VA0EM0009	VD0E00009	VD0EM0009

FKM		CODICI GAS CON GUARNIZIONI FKM				GAS CODES WITH FKM SEALING	
DN [mm]	[inch]	SR N.C.		SR N.O.		DA	
		Semplice effetto "N.C." Spring return "N.C."	+ magnete e binario* + magnet and bracket*	Semplice effetto "N.O." Spring return "N.O."	+ magnete e binario* + magnet and bracket*	Doppio effetto Double acting	+ magnete e binario* + magnet and bracket*
10	3/8"	VC0V00003	VC0VM0003	VA0V00003	VA0VM0003	VD0V00003	VD0VM0003
15	1/2"	VC0V00004	VC0VM0004	VA0V00004	VA0VM0004	VD0V00004	VD0VM0004
20	3/4"	VC0V00005	VC0VM0005	VA0V00005	VA0VM0005	VD0V00005	VD0VM0005
25	1"	VC0V00006	VC0VM0006	VA0V00006	VA0VM0006	VD0V00006	VD0VM0006
32	1"1/4	VC0V00007	VC0VM0007	VA0V00007	VA0VM0007	VD0V00007	VD0VM0007
40	1"1/2	VC0V00008	VC0VM0008	VA0V00008	VA0VM0008	VD0V00008	VD0VM0008
50	2"	VC0V00009	VC0VM0009	VA0V00009	VA0VM0009	VD0V00009	VD0VM0009

Per tutti i modelli, la versione ATEX si ottiene aggiungendo YX alla fine del codice

For all the models, to create the ATEX code please add YX at the end of the standard version code

* Versione con predisposizione all'uso dei finecorsa. * Version with limit switch arrangement.

FKM O ₂		CODICI GAS CON GUARNIZIONI FKM O ₂				GAS CODES WITH FKM O ₂ SEALING	
VERSIONE SPECIALE SPECIAL VERSION: T max 60°C							
DN [mm]	[inch]	SR N.C.		SR N.O.		DA	
		Semplice effetto "N.C." Spring return "N.C."	+ magnete e binario* + magnet and bracket*	Semplice effetto "N.O." Spring return "N.O."	+ magnete e binario* + magnet and bracket*	Doppio effetto Double acting	+ magnete e binario* + magnet and bracket*
10	3/8"	VCXV00003	VCXVM0003	VAXV00003	VAXVM0003	VDXV00003	VDXVM0003
15	1/2"	VCXV00004	VCXVM0004	VAXV00004	VAXVM0004	VDXV00004	VDXVM0004
20	3/4"	VCXV00005	VCXVM0005	VAXV00005	VAXVM0005	VDXV00005	VDXVM0005
25	1"	VCXV00006	VCXVM0006	VAXV00006	VAXVM0006	VDXV00006	VDXVM0006
32	1"1/4	VCXV00007	VCXVM0007	VAXV00007	VAXVM0007	VDXV00007	VDXVM0007
40	1"1/2	VCXV00008	VCXVM0008	VAXV00008	VAXVM0008	VDXV00008	VDXVM0008
50	2"	VCXV00009	VCXVM0009	VAXV00009	VAXVM0009	VDXV00009	VDXVM0009

Per VIP ad uso ossigeno non sono disponibili Kit di ricambio. Spare parts are not available for VIP for oxygen service.

* Versione con predisposizione all'uso dei finecorsa. * Version with limit switch arrangement.

		CODICI KIT GUARNIZIONI DI RICAMBIO		SPARE SEALS KIT CODES	
DN [mm]	[inch]	NBR	EPDM	FKM	
10	3/8"	KGVN0103	KGVE0103	KGVV0103	
15	1/2"	KGVN0104	KGVE0104	KGVV0104	
20	3/4"	KGVN0105	KGVE0105	KGVV0105	
25	1"	KGVN0106	KGVE0106	KGVV0106	
32	1"1/4	KGVN0107	KGVE0107	KGVV0107	
40	1"1/2	KGVN0108	KGVE0108	KGVV0108	
50	2"	KGVN0109	KGVE0109	KGVV0109	



VIP

CODICI NPT NPT CODES

NBR		CODICI NPT CON GUARNIZIONI NBR				NPT CODES WITH NBR SEALING	
DN [mm]	[inch]	SR N.C.		SR N.O.		DA	
		Semplice effetto "N.C." Spring return "N.C."	+ magnete e binario* + magnet and bracket*	Semplice effetto "N.O." Spring return "N.O."	+ magnete e binario* + magnet and bracket*	Doppio effetto Double acting	+ magnete e binario* + magnet and bracket*
10	3/8"	VC0B00043	VC0BM0043	VA0B00043	VA0BM0043	VD0B00043	VD0BM0043
15	1/2"	VC0B00044	VC0BM0044	VA0B00044	VA0BM0044	VD0B00044	VD0BM0044
20	3/4"	VC0B00045	VC0BM0045	VA0B00045	VA0BM0045	VD0B00045	VD0BM0045
25	1"	VC0B00046	VC0BM0046	VA0B00046	VA0BM0046	VD0B00046	VD0BM0046
32	1"1/4	VC0B00047	VC0BM0047	VA0B00047	VA0BM0047	VD0B00047	VD0BM0047
40	1"1/2	VC0B00048	VC0BM0048	VA0B00048	VA0BM0048	VD0B00048	VD0BM0048
50	2"	VC0B00049	VC0BM0049	VA0B00049	VA0BM0049	VD0B00049	VD0BM0049

EPDM		CODICI NPT CON GUARNIZIONI EPDM				NPT CODES WITH EPDM SEALING	
DN [mm]	[inch]	SR N.C.		SR N.O.		DA	
		Semplice effetto "N.C." Spring return "N.C."	+ magnete e binario* + magnet and bracket*	Semplice effetto "N.O." Spring return "N.O."	+ magnete e binario* + magnet and bracket*	Doppio effetto Double acting	+ magnete e binario* + magnet and bracket*
10	3/8"	VC0E00043	VC0EM0043	VA0E00043	VA0EM0043	VD0E00043	VD0EM0043
15	1/2"	VC0E00044	VC0EM0044	VA0E00044	VA0EM0044	VD0E00044	VD0EM0044
20	3/4"	VC0E00045	VC0EM0045	VA0E00045	VA0EM0045	VD0E00045	VD0EM0045
25	1"	VC0E00046	VC0EM0046	VA0E00046	VA0EM0046	VD0E00046	VD0EM0046
32	1"1/4	VC0E00047	VC0EM0047	VA0E00047	VA0EM0047	VD0E00047	VD0EM0047
40	1"1/2	VC0E00048	VC0EM0048	VA0E00048	VA0EM0048	VD0E00048	VD0EM0048
50	2"	VC0E00049	VC0EM0049	VA0E00049	VA0EM0049	VD0E00049	VD0EM0049

FKM		CODICI NPT CON GUARNIZIONI FKM				NPT CODES WITH FKM SEALING	
DN [mm]	[inch]	SR N.C.		SR N.O.		DA	
		Semplice effetto "N.C." Spring return "N.C."	+ magnete e binario* + magnet and bracket*	Semplice effetto "N.O." Spring return "N.O."	+ magnete e binario* + magnet and bracket*	Doppio effetto Double acting	+ magnete e binario* + magnet and bracket*
10	3/8"	VC0V00043	VC0VM0043	VA0V00043	VA0VM0043	VD0V00043	VD0VM0043
15	1/2"	VC0V00044	VC0VM0044	VA0V00044	VA0VM0044	VD0V00044	VD0VM0044
20	3/4"	VC0V00045	VC0VM0045	VA0V00045	VA0VM0045	VD0V00045	VD0VM0045
25	1"	VC0V00046	VC0VM0046	VA0V00046	VA0VM0046	VD0V00046	VD0VM0046
32	1"1/4	VC0V00047	VC0VM0047	VA0V00047	VA0VM0047	VD0V00047	VD0VM0047
40	1"1/2	VC0V00048	VC0VM0048	VA0V00048	VA0VM0048	VD0V00048	VD0VM0048
50	2"	VC0V00049	VC0VM0049	VA0V00049	VA0VM0049	VD0V00049	VD0VM0049

Per tutti i modelli, la versione ATEX si ottiene aggiungendo YX alla fine del codice

For all the models, to create the ATEX code please add YX at the end of the standard version code

* Versione con predisposizione all'uso dei finecorsa. * Version with limit switch arrangement.

FKM O ₂		CODICI NPT CON GUARNIZIONI FKM O ₂				NPT CODES WITH FKM O ₂ SEALING	
VERSIONE SPECIALE SPECIAL VERSION: T max 60°C							
DN [mm]	[inch]	SR N.C.		SR N.O.		DA	
		Semplice effetto "N.C." Spring return "N.C."	+ magnete e binario* + magnet and bracket*	Semplice effetto "N.O." Spring return "N.O."	+ magnete e binario* + magnet and bracket*	Doppio effetto Double acting	+ magnete e binario* + magnet and bracket*
10	3/8"	VCXV00043	VCXVM0043	VAXV00043	VAXVM0043	VDXV00043	VDXVM0043
15	1/2"	VCXV00044	VCXVM0044	VAXV00044	VAXVM0044	VDXV00044	VDXVM0044
20	3/4"	VCXV00045	VCXVM0045	VAXV00045	VAXVM0045	VDXV00045	VDXVM0045
25	1"	VCXV00046	VCXVM0046	VAXV00046	VAXVM0046	VDXV00046	VDXVM0046
32	1"1/4	VCXV00047	VCXVM0047	VAXV00047	VAXVM0047	VDXV00047	VDXVM0047
40	1"1/2	VCXV00048	VCXVM0048	VAXV00048	VAXVM0048	VDXV00048	VDXVM0048
50	2"	VCXV00049	VCXVM0049	VAXV00049	VAXVM0049	VDXV00049	VDXVM0049

Per VIP ad uso ossigeno non sono disponibili Kit di ricambio. Spare parts are not available for VIP for oxygen service.

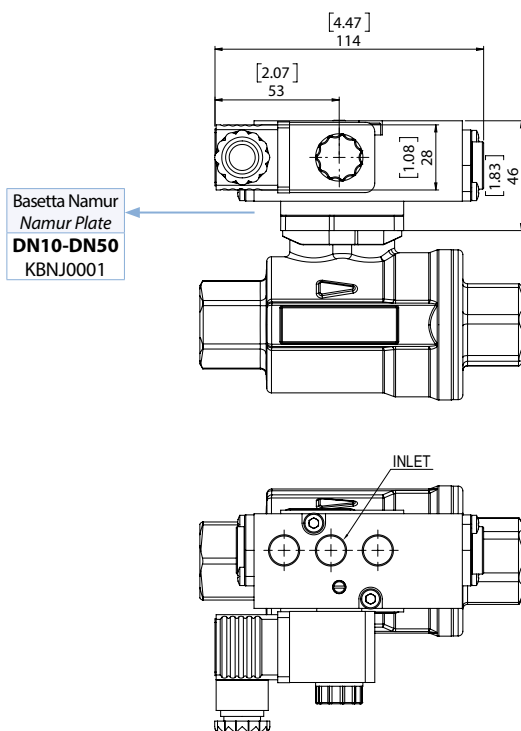
* Versione con predisposizione all'uso dei finecorsa. * Version with limit switch arrangement.

		CODICI KIT GUARNIZIONI DI RICAMBIO		SPARE SEALS KIT CODES	
DN [mm]	[inch]	NBR	EPDM	FKM	
10	3/8"	KGVN0103	KGVE0103	KGVV0103	
15	1/2"	KGVN0104	KGVE0104	KGVV0104	
20	3/4"	KGVN0105	KGVE0105	KGVV0105	
25	1"	KGVN0106	KGVE0106	KGVV0106	
32	1"1/4	KGVN0107	KGVE0107	KGVV0107	
40	1"1/2	KGVN0108	KGVE0108	KGVV0108	
50	2"	KGVN0109	KGVE0109	KGVV0109	

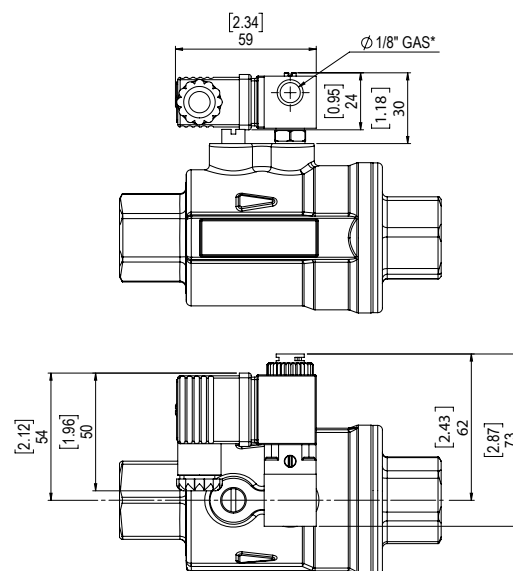


ACCESSORI VIP VIP ACCESSORIES

ELETTRORVALVOLA NAMUR		NAMUR SOLENOID VALVE			
Elettrovalvola Solenoid valve	ER8188A2	ER8188A4	ER8188A5	ER8188C2	ER8188C4
Voltaggio Voltage	24V AC	115V AC	230V AC	24V DC	110V DC



MICROELETTRORVALVOLA		MICRO SOLENOID VALVE			
Elettrovalvola Solenoid valve	EP415024	EP415110	EP415220	EP412012	EP412024
Voltaggio Voltage	24V AC	115V AC	230V AC	12V DC	24V DC



Elettrovalvola 5/2 a norma NAMUR

- L'elettrovalvola è predisposta per la selezione tra la funzione 5/2 e 3/2 vie che si realizza utilizzando l'appropriata piastra di interfacciamento dell'elettrovalvola.
- Potenza assorbita D.C.: 2,5 W.
- Potenza assorbita A.C.: 2 W.
- Tolleranza tensione di alimentazione: $\pm 10\%$.
- Classe isolamento bobina: F.
- Grado di protezione con connettore: IP 65.
- Connessione elettrica: PG 9.
- Connessioni pneumatiche: alimentazione 1/4"; scarico 1/4" ISO 228.
- Pressione elettrovalvola max.: 10 bar.
- Temperatura fluido di alimentazione: da -10°C a +80°C.
- Temperatura ambiente: da -10°C a +50°C.

Solenoid valve 5/2 as per NAMUR

- *This solenoid valve is designed for the selection of the functions 5/2 and 3/2, which is realized by using wing the appropriate plate.*
- *Full-working input power - D.C.: 2,5 W.*
- *Full-working input power - A.C.: 2 W.*
- *Supply voltage tolerances: +/- 10%.*
- *Coil insulation: F-class.*
- *Protection with connector: IP65.*
- *Electric connection: PG 9.*
- *Pneumatic connections: inlet 1/4"; outlet 1/4" ISO 228.*
- *Max. pressure: 10 bar.*
- *Operating media temperature: from -10°C to +80°C.*
- *Ambient temperature: from -10°C to +50°C.*

Microelettrovalvola universale compatta

- Il collegamento dell'elettrovalvola è eseguito direttamente nella presa d'aria dell'attuatore, eliminando qualsiasi pezzo intermedio e viti di fissaggio.
- Elettrovalvola del tipo 3/2 con un solenoide disponibile con le seguenti tensioni: 24-110-220V AC; 12-24V DC.
- Potenza assorbita allo spunto - A.C.: 9 VA.
- Potenza assorbita a regime - D.C.: 5 W.
- Potenza assorbita a regime - A.C.: 6 VA.
- Tolleranza tensione di alimentazione: $\pm 10\%$.
- Classe di isolamento filo di rame: H.
- Classe isolamento bobina: F.
- Grado di protezione con connettore: IP 65.
- Connessione elettrica: PG 9 (orientabile 360°).
- Connessione pneumatica: 1/8" ISO 228 (orientabile 360°).
- Pressione elettrovalvola max.: 10 bar.
- Temperatura fluido di alimentazione: da -10°C a +50°C.
- Temperatura ambiente: da -10°C a +50°C.
- Diametro nominale di passaggio 1,3 mm.

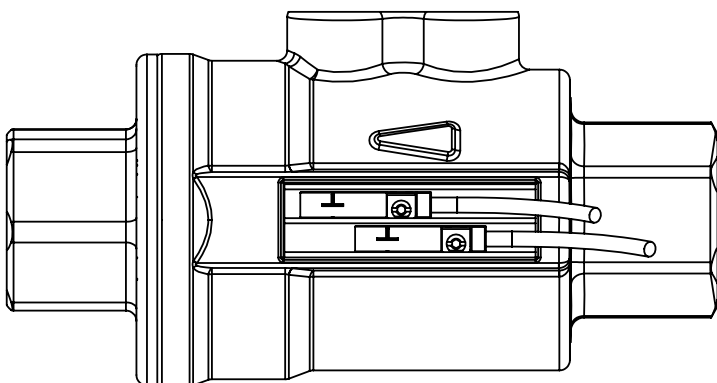
Micro solenoid valve :

- *This solenoid valve is connected by a joint which fits directly to the actuator air intake, without other fittings or fixing screws.*
- *3/2 solenoid valve, with solenoid available in the following voltages: 24-110-220V AC; 12-24V DC.*
- *Starting input power - A.C.: 9 VA.*
- *Full-working input power - D.C.: 5 W.*
- *Full-working input power - A.C.: 6 VA.*
- *Supply voltage tolerances: +/- 10%.*
- *Copper wire insulation: H-class.*
- *Coil insulation: F-class.*
- *Protection with connector: IP65.*
- *Electric connection: PG 9 any orientation acceptable 360°.*
- *Pneumatic connections: 1/8" ISO 228 any orientation acceptable 360°.*
- *Max. pressure: 10 bar.*
- *Operating media temperature: from -10°C to +50°C.*
- *Ambient temperature: from -10°C to +50°C.*
- *ø Bore 1,3 mm.*



ACCESSORI VIP VIP ACCESSORIES

FINECORSA LIMIT SWITCH



VIP è predisposto per l'utilizzo di finecorsa induttivi a contatto magnetico, con led di segnalazione, i quali vengono forniti con un kit che ne consente un rapido fissaggio nelle scanalature laterali del corpo. I magneti per la rilevazione della posizione tramite finecorsa si trovano all'interno, di conseguenza si possono installare solamente durante l'assemblaggio di VIP e non in fase successiva. Per questo motivo è necessario **specificare in fase d'ordine la richiesta del magnete**.

La temperatura massima del fluido deve essere inferiore alla temperatura massima sopportata dal finecorsa.

VIP can be provided with inductive limit switch (magnetic contact) and signal LED. Limit switches can be easily mounted in the integrated slots and fixed with a screw. Since the magnets are situated inside the valve, they must be mounted while assembling the VIP and not afterwards. For this reason, in case needed, **magnet must be requested at VIP order phase**.

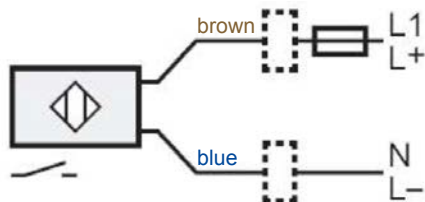
The maximum fluid temperature must be lower than the maximum temperature supported by the limit switch.

DATI TECNICI FINECORSA LIMIT SWITCH TECHNICAL DATA

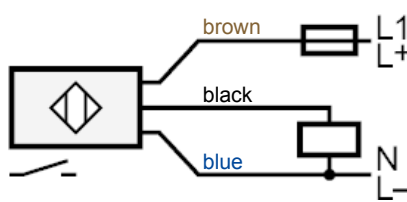
Modello elettrico <i>Electrical design</i>	REED (PNP/NPN)		REED (PNP)		HALL (PNP)		HALL (PNP)	
Tipo di contatto <i>Type of contact</i>	N.O.		N.O.		N.O.		N.O.	
Tensione alimentazione <i>Operating voltage</i>	V	5-120 AC/DC	5-50 AC/DC		10-30 DC		10-30 DC	
Permanente capacità di corrente dell'uscita di commutazione AC <i>Permanent current rating of switching output AC</i>	mA	100	350		-		-	
Permanente capacità di corrente dell'uscita di commutazione DC <i>Permanent current rating of switching output DC</i>	mA	100	500		100		100	
Grado di protezione <i>Degree of protection</i>		IP 67	IP 67		IP 69K		IP 67	
Temperatura ambiente <i>Ambient temperature</i>	°C	-25/70	-25/+70		-25/+85		-25/+60	
	°F	-13÷158	-13 ÷158		-13/185		-13/+140	
Numero fili <i>Wire number</i>		2	3		3		3	
Lunghezza filo <i>Wire length</i>	m	2	2	0,3	2	0,3	2	0,3
	ft	6,56	6,56	1	6,56	1	6,56	1
Collegamento <i>Mounting type</i>		Diretto <i>Direct</i>	Diretto <i>Direct</i>	M12	Diretto <i>Direct</i>	M12	Diretto <i>Direct</i>	M12
Categoria Atex <i>Atex category</i>		-	-		-		II 3D Ex tc IIIC T125°C Dc C	
Certificazioni <i>Certifications</i>		CE/UKCA/UL/EAC/CCC	CE/UKCA/UL/EAC/CCC		CE/UKCA/UL/EAC		CE/UKCA/EAC	
Codice <i>Code</i>		FM7B7200	FM7B9200	FM7B9112	FM7C3200	FM7C3112	FM7A3200	FM7A3112
Materiale <i>Material</i>		PA / Inox						

Cablaggio finecorsa *Limit switch wiring*

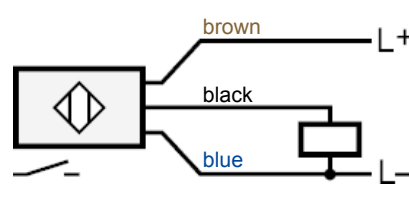
REED (2 fili / 2 wires)



REED (3 fili / 3 wires)



HALL (3 fili / 3 wires)

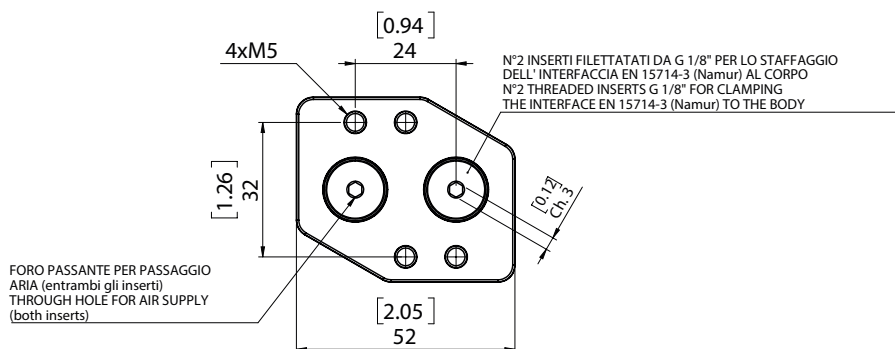


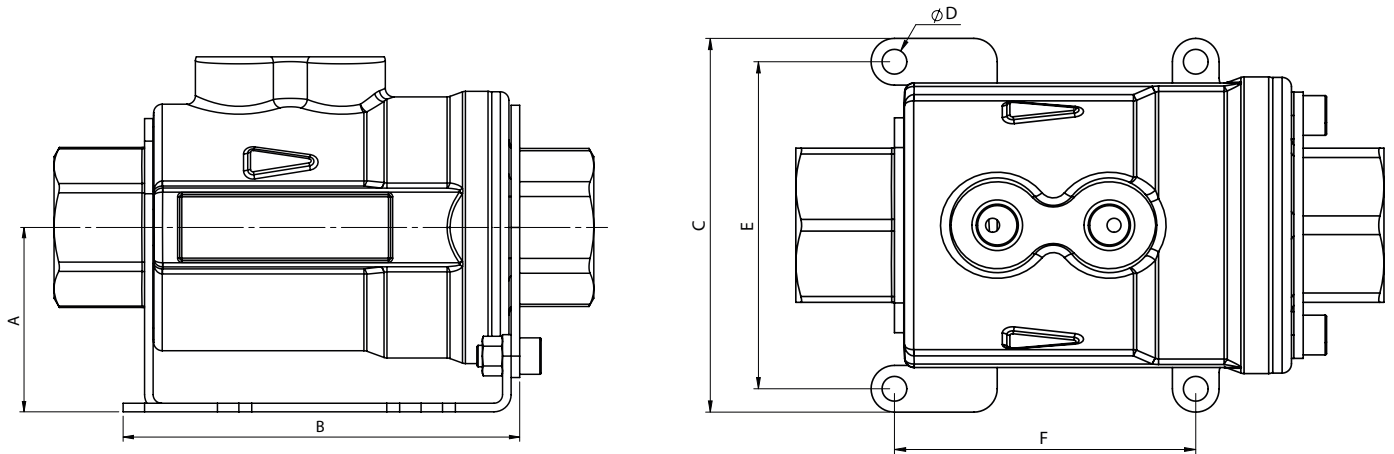
BASETTA INTERFACCIA NAMUR NAMUR PLATE ADAPTER

VIP
DN10 ÷ DN50
KBNJ0001

La temperatura massima del fluido deve essere inferiore alla temperatura massima sopportata dall'elettrovalvola.

The maximum fluid temperature must be lower than the maximum temperature supported by the solenoid valve.





STAFFA DI FISSAGGIO FIXING BRACKET

	GAS/NPT	CODICE/CODE	A	B	C	ØD	E	F
DN10	3/8"	K00V0003	36	71,5	64	5,4	54	61,5
DN15	1/2"	K00V0004	39	80	69	5,4	59	68
DN20	3/4"	K00V0005	43	92,5	80	5,4	70	64,5
DN25	1"	K00V0006	46	99	86	5,4	76	71
DN32	1"1/4	K00V0007	58	116,5	110	6,4	96	81,5
DN40	1"1/2	K00V0008	63	122	120	6,4	106	84,5
DN50	2"	K00V0009	64	139	132	6,4	118	100

DIAGRAMMA PORTATA - PERDITA DI CARICO E COEFFICIENTE NOMINALE
FLOW PRESSURE DROP DIAGRAM AND Kv NOMINAL COEFFICIENT

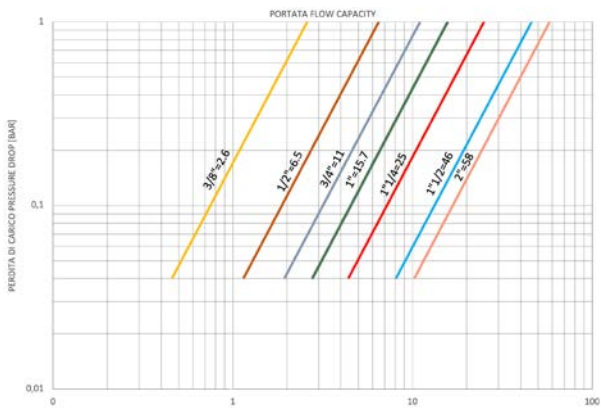
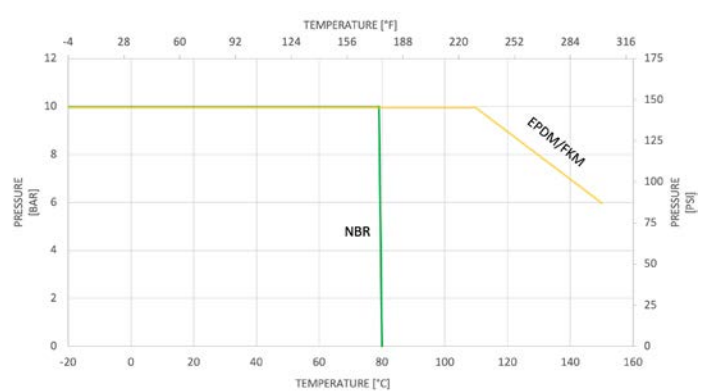
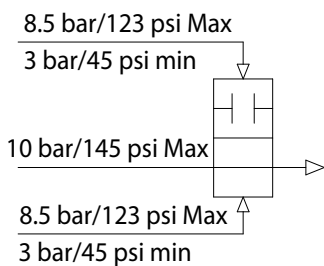


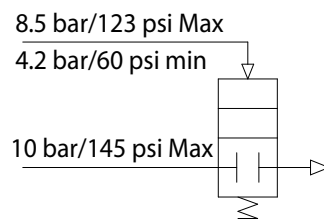
DIAGRAMMA PRESSIONE TEMPERATURA
PRESSURE TEMPERATURE DIAGRAM



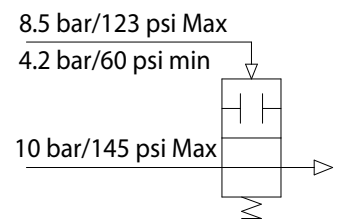
SCHEMI DI FUNZIONAMENTO WORKING PLAN



Schema di funzionamento nella configurazione
doppio effetto
Double acting VIP Working plan



Schema di funzionamento nella configurazione
semplice effetto normalmente chiuso
Spring return Normally closed VIP Working plan



Schema di funzionamento nella configurazione
semplice effetto normalmente aperto
Spring return Normally open VIP Working plan





3.3

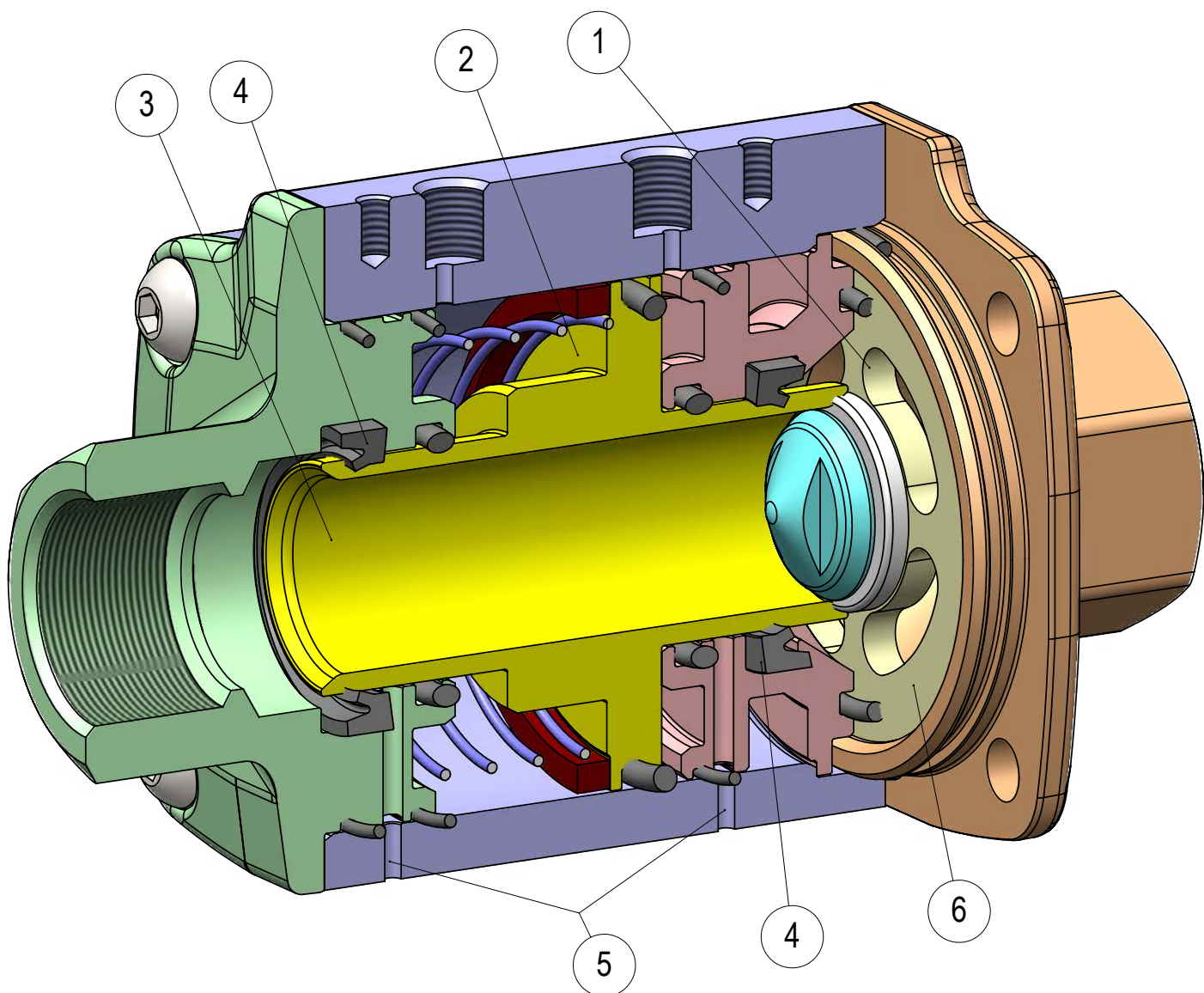
VIP EVO®





VIP EVO®

VALVOLA DI INTERCETTAZIONE PNEUMATICA PN40 / 580 psi
PNEUMATIC COAXIAL VALVE PN40 / 580 psi





FEATURES & BENEFITS

1	<p>Geometria interna sviluppata per minimizzare le perdite di carico.</p> <p><i>Internal geometry studied to reduce pressure drop.</i></p>	<p>È stato eseguito uno studio fluidodinamico del passaggio interno in modo da massimizzare il coefficiente di portata.</p> <p><i>Fluid dynamic of internal of valve studied to maximize flow capacity.</i></p>
2	<p>Attuatore e valvola integrati in un unico prodotto.</p> <p><i>Pneumatic actuator integrated in the valve.</i></p>	<p>Minor ingombro ridotti rispetto ad una valvola attuata.</p> <p><i>Space saving compared to an automated valve.</i></p>
3	<p>Pistone con nichelatura chimica (20-25 micron).</p> <p><i>Piston with chemical nickel plating (20-25 micron).</i></p>	<p>Maggior protezione contro gli agenti corrosivi.</p> <p><i>High corrosion resistance.</i></p>
		<p>Minor usura delle guarnizioni grazie all'aumento di durezza superficiale (400-550 HV).</p> <p><i>Lower wear of the seals due to the increase of the surface hardness (400-550 HV).</i></p>
4	<p>Guarnizioni a labbro.</p> <p><i>Lip seals.</i></p>	<p>Minor usura della guarnizione rispetto ad un o-ring.</p> <p><i>Less wear of the seal compared to an o-ring.</i></p>
5	<p>Fori di verifica perdita guarnizioni a labbro.</p> <p><i>Lip seal leakage check holes.</i></p>	<p>I fori permettono di verificare l'eventuale perdita delle guarnizioni a labbro, evitando che il fluido intercettato possa risalire nell'impianto di alimentazione aria.</p> <p><i>These holes show eventual leakage from lip seal, preventing the intercepted fluid from damaging the air supply system.</i></p>
6	<p>Porta seggio supporto guarnizione.</p> <p><i>Seat support disc.</i></p>	<p>Porta seggio in 316L per la massima compatibilità chimica.</p> <p><i>316L S.S. disc for best chemical compatibility.</i></p>
	<p>Varie guarnizioni di tenuta.</p> <p><i>Several seal materials available.</i></p>	<p>Massima compatibilità con diverse tipologie di fluidi a seconda della guarnizione montata (EPDM, NBR, FKM).</p> <p><i>Maximum compatibility with different types of fluids depending on the seals used (EPDM, NBR, FKM).</i></p>
	<p>Sedi per montaggio di sensori integrati.</p> <p><i>Integrated slot for valve position sensor.</i></p>	<p>I sensori di posizione valvola possono essere montati da entrambi i lati per ottimizzare gli ingombri.</p> <p><i>Position sensor can be easily mounted in both sides of the valve to minimize space.</i></p>
	<p>Assenza di parti mobili esterne.</p> <p><i>No external moving parts.</i></p>	<p>Nessun rischio di infortunio dovuto a elementi in movimento.</p> <p><i>No risk of injury due to moving parts.</i></p>
		<p>Facilità di montaggio in ogni posizione.</p> <p><i>Easy mounting.</i></p>
	<p>Lunga vita garantita.</p> <p><i>Long life time guaranteed.</i></p>	<p>Durata fino 10 volte superiore rispetto alla valvola a sfera con costi di manutenzione ridotti.</p> <p><i>Lifetime up to 10 times longer than a ball valve with reduced maintenance costs.</i></p>
	<p>Processo produttivo interamente realizzato in OMAL.</p> <p><i>100% in-house manufacturing process technology.</i></p>	<p>Massimo controllo in tutte le fasi di lavorazione.</p> <p><i>Maximum control and accuracy in all the stages of the manufacturing process.</i></p>
	<p>Minor consumo d'aria.</p> <p><i>Less Air consumption.</i></p>	<p>Risparmio d'aria pari ad almeno il 70% rispetto ad una valvola attuata con attuatore semplice effetto con conseguente minor carico di lavoro del compressore o possibilità di utilizzo di un compressore con dimensioni ridotte.</p> <p><i>70% less air consumption compared to an actuated valve with SR pneumatic actuator therefore less load on the compressor or the possibility of using a smaller sized compressor.</i></p>
	<p>Certificato ATEX.</p> <p><i>ATEX Certification.</i></p>	<p>Ne consente l'installazione in presenza di ambiente potenzialmente esplosivo.</p> <p><i>Installation is allowed in a potential explosive environment.</i></p>
	<p>Certificato PED.</p> <p><i>PED Certification.</i></p>	<p>Piena conformità alle norme di sicurezza europee per i dispositivi in pressione.</p> <p><i>Full compliance with European Safety Standards for Pressure Equipment.</i></p>
	<p>Certificato fino a SIL 3.</p> <p><i>Up to SIL 3 certified.</i></p>	<p>Elevato livello di sicurezza funzionale.</p> <p><i>Guarantee of high level of functional safety.</i></p>



VIP EVO PN40 / 580 psi

THE LATEST EVOLUTION OF OMAL COAXIAL VALVE



CARATTERISTICHE GENERALI:

- Disponibile nelle versioni doppio effetto "DA" e semplice effetto "SR" (sia normalmente aperto sia normalmente chiuso) con misure da 3/8" a 2".
- Flusso unidirezionale.
- P MAX 40 bar (580 psi) nella direzione indicata.
- Attacchi filettati GAS EN 10226-1 Rp (Ex ISO 7/1) - DIN 2999 ; NPT.
- Connessioni del fluido di comando filettate (NAMUR a richiesta con basetta).
- L'ottimizzazione della fluidodinamica interna ha consentito la realizzazione di un condotto con perdite di carico ridotte al minimo.
- Possibilità di utilizzo in qualsiasi posizione di montaggio (orizzontale, verticale, obliqua).
- Tenuta principale PTFE + VETRO.
- Tenute labbro e o-ring:
 - **NBR**: compatibile con aria, fluidi gassosi, olii, acqua, etc.
 - **FKM**: ottima compatibilità con la maggior parte dei fluidi. Sconsigliato per il vapore.
 - **EPDM**: ottima compatibilità con acqua calda. Non compatibile con prodotti minerali (oli, grassi etc.).
- Possibilità di segnalare l'apertura o chiusura della valvola tramite l'applicazione di fincorsa induttivi a contatto magnetico esterni (disponibili a richiesta). Previo acquisto della versione VIP EVO con magnete interno, da specificare in fase d'ordine.
- Classe di tenuta VI secondo IEC 60534-4 (ANSI-FCI 70-2 classe VI).
- **Conforme alla direttiva Europea 2014/68/UE "PED"**.
- **Configurazione ATEX 2014/34/UE da richiedere in fase d'ordine.**
- Tenuta al vuoto: tasso di fuga <math> < 5 \cdot 10^{-5}</math> mbar·l/s (Valore inferiore a 2g di aria a temperatura ambiente l'anno).

GENERAL FEATURES:

- Both Double Acting and Spring Return VIP valves (either Normally Open or Normally Closed) are available in sizes ranging from 3/8" to 2".
- Unidirectional flow.
- P MAX 40 bar (580 psi) in indicated direction.
- GAS threaded ends as per EN 10226-1 Rp (Ex ISO 7/1) - DIN 2999 ; NPT.
- Threaded connections for air supply system (NAMUR adapter plate on request).
- Improved fluid dynamics allow minimum pressure losses.
- VIP valves can be used in any mounting position (horizontal, vertical or angled).
- Seat PTFE + GF.
- Lips seals and o-ring:
 - **NBR**: suitable for air, gaseous fluids, oils, water etc.
 - **FKM**: perfectly suitable for most fluid. Unsuitable for steam.
 - **EPDM**: perfectly suitable for hot water. Unsuitable for mineral products (oils, grease, etc.).
- Possibility to check open / close valve position thanks to inductive limit switches (magnetic contact) available on request. Internal magnet needs to be requested at VIP EVO order phase.
- Leakage rate class VI according to IEC 60534-4 (ANSI-FCI 70-2 class VI).
- **According to 2014/68/EU "PED"**.
- **2014/34/EU ATEX configuration available upon request at time of order.**
- Vacuum tightness: leak rate <math> < 5 \cdot 10^{-5}</math> mbar·l/s (Value less than 2g of air at room temperature per year)

FLUIDO DI COMANDO:

- Aria compressa filtrata non necessariamente lubrificata; in accordo a UNI EN 15714-3:2009.
- In caso di lubrificazione usare olio compatibile con le guarnizioni impiegate.
- Pressione di comando:
 - Doppio Effetto: min. 3 bar (44 psi); max. 8,5 bar (123 psi).
 - Semplice Effetto N.C.: min. 4 bar (58 psi); max. 8,5 bar (123 psi).
 - Semplice Effetto N.O.: min. 4,5 bar (65 psi); max. 8,5 bar (123 psi).

CONTROL MEDIA:

- Filtered compressed air, not necessarily lubricated; according to UNI EN 15714-3: 2009.
- In case of lubricated air, seal compatible oil must be used.
- Air supply:
 - Double Acting: min. 3 bar (44 psi); max. 8,5 bar (123 psi).
 - Spring Return N.C.: min. 4 bar (58 psi); max. 8,5 bar (123 psi).
 - Spring Return N.O.: min. 4,5 bar (65 psi); max. 8,5 bar (123 psi).

FLUIDO INTERCETTATO:

- Pressione: max. 40 bar (580 psi), vedere diagramma.
- Temperatura:
 - NBR (anche versione con magnete): da -20°C (-4°F) a +80°C (176°F)
 - EPDM ed FKM senza magnete: da -20°C (-4°F) a +150°C (302°F)
 - EPDM ed FKM con magnete: da -20°C (-4°F) a +90°C (194°F)

OPERATING MEDIA:

- Pressure: 40 bar (580 psi) max, see diagram.
- Temperature:
 - NBR (also version with magnet): from -20°C (-4°F) a +80°C (176°F)
 - EPDM and FKM without magnet: from -20°C (-4°F) a +150°C (302°F)
 - EPDM and FKM with magnet: from -20°C (-4°F) a +90°C (194°F)



VIP EVO PN40 / 580 psi

PRINCIPIO DI FUNZIONAMENTO WORKING PRINCIPLE

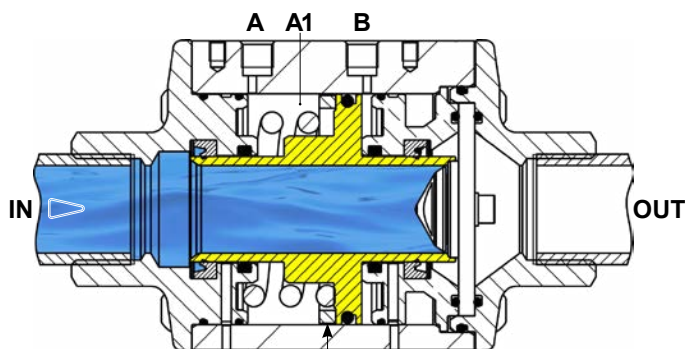
La valvola di intercettazione pneumatica "VIP EVO" è l'evoluzione della valvola "VIP". "VIP EVO" è a tutti gli effetti, una valvola automatica che raggruppa, in un unico dispositivo, sia il meccanismo di intercettazione (tra il condotto IN-OUT) che quello di comando (A-B). Il principio di funzionamento si basa sul movimento interno di un pistone dovuto alla pressione del fluido di comando. Il pistone, esaurita la sua corsa (VIP EVO è una valvola on/off), preme o si stacca dalla guarnizione del sedgio di tenuta, consentendo o impedendo il passaggio del liquido intercettato. Dato che la tenuta è realizzata sul sedgio e le pressioni del fluido intercettato si scaricano sul medesimo, la pressione necessaria al movimento del pistone risulta poco influenzata da quella del fluido intercettato. Questo ha permesso di contenere i pesi e gli ingombri e di garantire un altissimo numero di manovre di apertura e chiusura. La fluidodinamica interna è stata studiata in modo da ridurre al minimo le turbolenze e le perdite di carico.

The pneumatic coaxial valve "VIP EVO" is the evolution of the "VIP" valve. "VIP EVO" is an interception valve (between pipe IN-OUT) with built in control system (A-B). It works thanks to the internal movement of a piston supplied with air. At the end of its stroke (VIP EVO valve is an ON/OFF valve), the piston presses on the seat seal, stopping the fluid from flowing, or moves away from the seal, allowing the intercepted fluid to flow. As the seat is perfectly tight and the intercepted fluid pressures discharge on it, the pressure necessary to move the piston is little affected by the fluid pressure. As a result OMAL has been able to design a light space saving and lasting valve. Internal fluid-dynamics has been designed to reduce turbulence and pressure loss.

VALVOLA CHIUSA CLOSED VALVE

SEMPLICE EFFETTO - SR N.C. La molla è alloggiata nella camera "A1" questo fa sì che, in mancanza di comando, il pistone sia a contatto con la guarnizione del sedgio di tenuta: la posizione preferenziale è quindi quella chiusa.

SPRING RETURN - SR N.C. *The spring is in "A1", if there is no control, the piston will touch the seat seal: therefore, the preferable position is the closed one.*

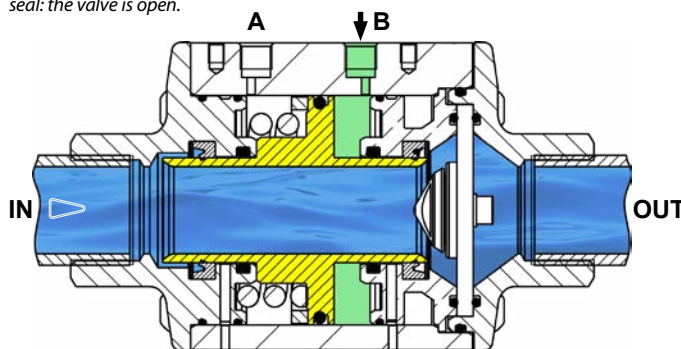


Magnete per finecorsa: da richiedere in fase di ordine.
Limit switch magnet: on request at order phase.

VALVOLA APERTA OPENED VALVE

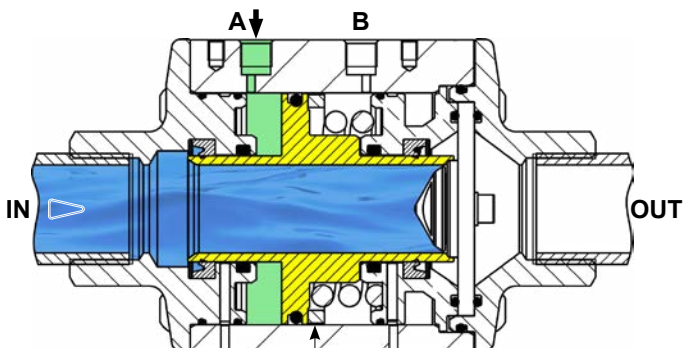
SEMPLICE EFFETTO - SR N.C. Immettendo aria nel foro di comando "B" (il foro "A" deve essere a scarico) il pistone, esaurita la sua corsa, si trova alla massima distanza dal sedgio di tenuta: la valvola è aperta.

SPRING RETURN - SR N.C. *Supplying the hole "B" with air (the hole "A" must be discharging) at the end of its stroke the piston is at maximum distance from the seat seal: the valve is open.*



SEMPLICE EFFETTO - SR N.O. Immettendo aria nel foro di comando "A" (il foro "B" deve essere a scarico) il pistone, esaurita la sua corsa, preme sulla guarnizione del sedgio di tenuta: la valvola è chiusa.

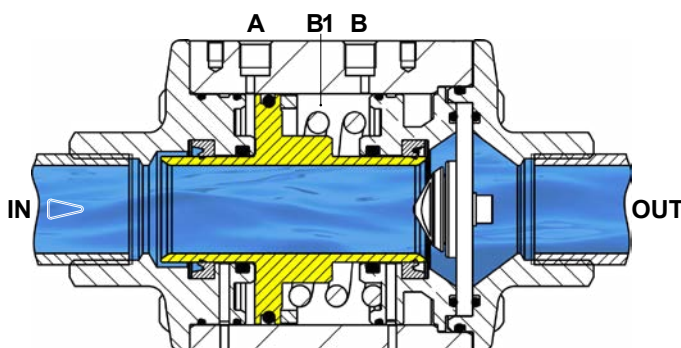
SPRING RETURN - SR N.O. *Supplying the hole "A" with air (the hole "B" must be discharging) the piston presses on the seat seal at the end of its stroke: the valve is closed.*



Magnete per finecorsa: da richiedere in fase di ordine.
Limit switch magnet: on request at order phase.

SEMPLICE EFFETTO - SR N.O. La molla è alloggiata nella camera "B1" questo fa sì che, in mancanza di comando, il pistone sia lontano dal sedgio di tenuta: la posizione preferenziale è quindi quella aperta.

SPRING RETURN - SR N.O. *The spring is in "B1", if there is no control, the piston will be away from the seat seal: therefore, the preferable position is the open one.*



DOPPIO EFFETTO - DA Immettendo aria nel foro di comando "A" (il foro "B" deve essere a scarico) il pistone preme sulla guarnizione del sedgio di tenuta: la valvola è chiusa.

DOUBLE ACTING - DA *Supplying the hole "A" with air (the hole "B" must be discharging) the piston presses on the seat seal: the valve is closed.*

DOPPIO EFFETTO - DA Immettendo aria nel foro di comando "B" (il foro "A" deve essere a scarico) il pistone si allontana dal sedgio di tenuta: la valvola è aperta.

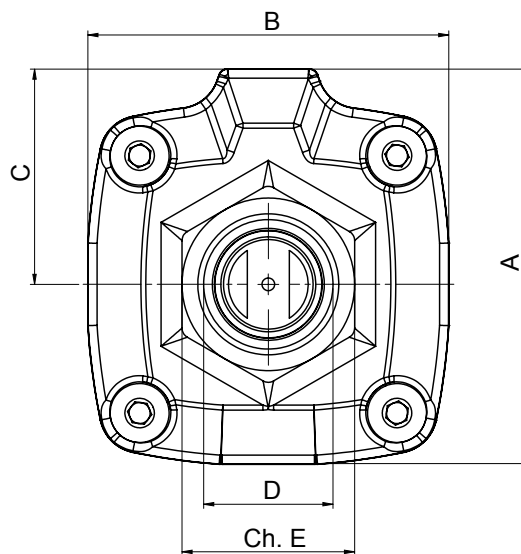
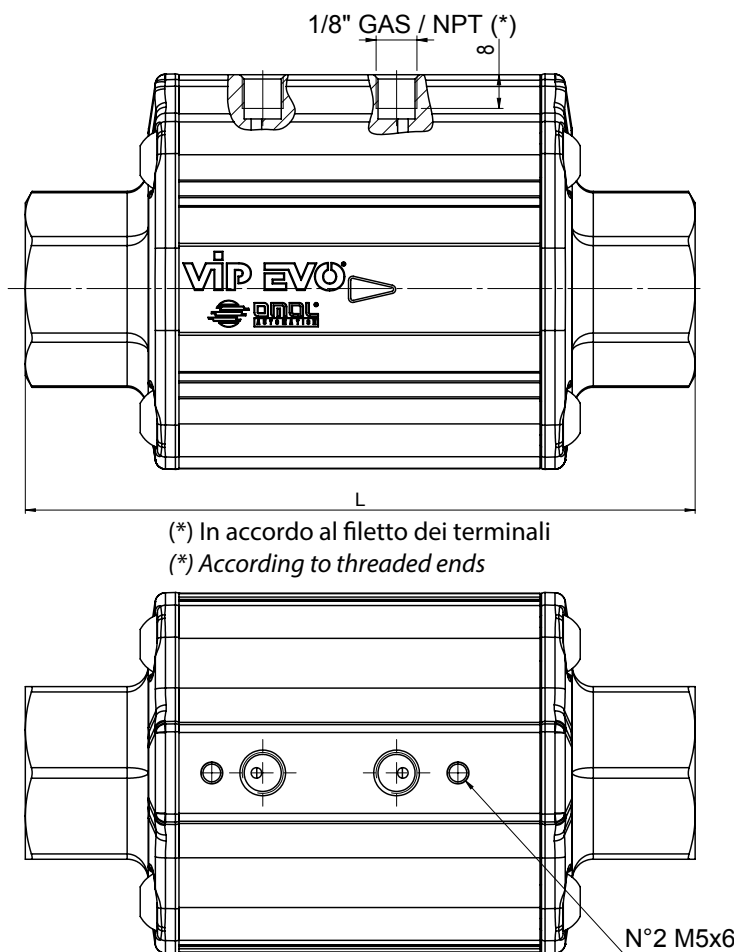
DOUBLE ACTING - DA *Supplying the hole "B" with air (the hole "A" must be discharging) the piston is at maximum distance from the seat seal: the valve is open.*

Magnete per finecorsa: da richiedere in fase di ordine. Limit switch magnet: on request at order phase.

Versioni Doppio Effetto DA: inclusa molla per dispositivo antistatico. Double Acting DA versions: spring included for antistatic device.



VIP EVO PN40 / 580 psi



(*) In accordo al filetto dei terminali
 (*) According to threaded ends

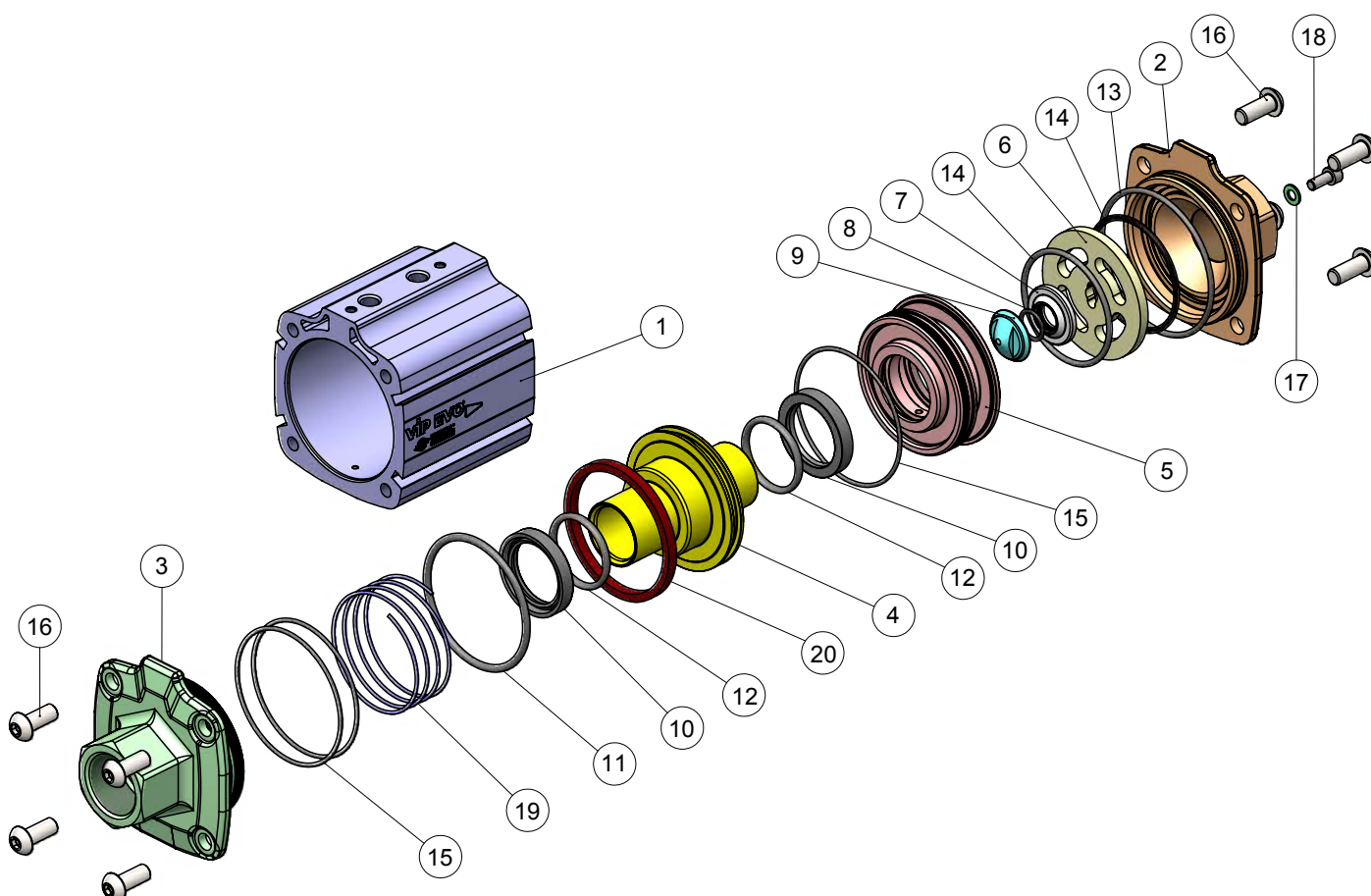
N°2 M5x6

	DIMENSIONI [metriche]				DIMENSIONS [metric]				
DN diametro nominale <i>DN nominal diameter</i>	mm	10	15	20	25	32	40	50	
D Filetto <i>Thread</i>	GAS / NPT	3/8"	1/2"	3/4"	1"	1"1/4	1"1/2	2"	
Passaggio <i>Bore</i>	mm	10,5	16	20,8	26,6	33,5	41	51	
A	mm	63	73,5	85,5	94	110	123,5	134	
B	mm	56	66	78,5	86	103	115,5	123,5	
L	mm	120	134,5	154	159	185	211	228	
ch. E	mm	22	27	34	41	50	60	70	
C	mm	35,5	40,5	47	51	60	66	72,5	
Doppio effetto "DA" - Volume aria <i>Double acting "DA" - Air volume</i>	dm ³ /cycle	0,024	0,039	0,074	0,082	0,15	0,22	0,25	
Semplice effetto "SR" - Volume aria <i>Spring return "SR" - Air volume</i>	dm ³ /cycle	0,011	0,021	0,034	0,037	0,07	0,10	0,13	
Doppio effetto "DA" - Peso <i>Double acting "DA" - Weight</i>	Kg	1,1	1,7	2,5	3	4,7	7,2	8	
Semplice effetto "SR" - Peso <i>Spring return "SR" - Weight</i>	Kg	1,15	1,8	2,6	3,1	4,9	7,5	8,3	
Tempi di azionamento <i>Switching times</i>	ms	25/40	30/55	40/60	45/70	50/80	70/120	100/160	

	DIMENSIONS [imperial]								
D Thread	GAS / NPT	3/8"	1/2"	3/4"	1"	1"1/4	1"1/2	2"	
Bore	in	0,41	0,63	0,82	1,05	1,32	1,61	2,01	
A	in	2,48	2,89	3,37	3,70	4,33	4,86	5,28	
B	in	2,20	2,60	3,09	3,39	4,06	4,55	4,86	
L	in	4,72	5,30	6,06	6,26	7,28	8,31	8,98	
ch. E	in	0,87	1,06	1,34	1,61	1,97	2,36	2,76	
C	in	1,40	1,59	1,85	2,01	2,36	2,60	2,85	
Double acting "DA" - Air volume	in ³ /cycle	1,46	2,38	4,52	5,00	9,15	13,43	15,26	
Spring return "SR" - Air volume	in ³ /cycle	0,67	1,28	2,07	2,26	4,27	6,10	7,93	
Double acting "DA" - Weight	lb	2,43	3,75	5,51	6,61	10,36	15,87	17,64	
Spring return "SR" - Weight	lb	2,54	3,97	5,73	6,83	10,80	16,53	18,30	
Switching times	ms	25/40	30/55	40/60	45/70	50/80	70/120	100/160	



VIP EVO PN40 / 580 psi



MATERIALI		MATERIALS		
Pos.	Descrizione Description	Q.ty	Materiale Material	Trattamento Treatment
1	Cilindro attuatore di pilotaggio <i>Pilot actuator cylinder</i>	1	Alluminio <i>Aluminum</i>	Anodizzazione nera <i>Black anodizing</i>
2	Manicotto uscita <i>Output sleeve</i>	1	Ottone <i>Brass CW617N</i>	Nichelatura <i>Nickel plated</i>
3	Manicotto ingresso <i>Input sleeve</i>	1	Ottone <i>Brass CW617N</i>	Nichelatura <i>Nickel plated</i>
4	Pistone <i>Piston</i>	1	Ottone <i>Brass CW617N</i>	Nichelatura <i>Nickel plated</i>
5	Supporto interno <i>Internal support</i>	1	Ottone <i>Brass CW614N</i>	-
6*	Porta seggio <i>Seat support</i>	1	316L S.S.	-
7*	Guarnizione <i>Seat</i>	1	PTFE+15% vetro <i>glass</i>	-
8*	O-ring guarnizione <i>O-ring Seat</i>	1	NBR/EPDM/FKM	-
9*	Ghiera battuta <i>Seat nut</i>	1	Ottone <i>Brass CW614N</i>	-
10**	Labbro <i>Lip seal</i>	2	NBR/EPDM/FKM	-
11**	O-ring pistone comando <i>Command piston O-ring</i>	1	NBR/EPDM/FKM	-
12**	O-ring pistone interno <i>Internal piston O-ring</i>	2	NBR/EPDM/FKM	-
13*	O-ring corpo manicotto <i>Sleeve-body O-ring</i>	1	NBR/EPDM/FKM	-
14*	O-ring frontale <i>Frontal O-ring</i>	2	NBR/EPDM/FKM	-
15**	O-ring supporto <i>Support O-ring</i>	3	NBR/EPDM/FKM	-
16	Viti chiusura <i>Closing Screw</i>	8	A2-70	-
17	Rondella <i>Washer</i>	1	A2 (304 S.S.)	-
18	Vite <i>Screw</i>	1	A2-70	-
19	Molla <i>Spring</i>	1	301 S.S.	-
20	Magnete <i>Magnet</i>	1	Plasto-ferrite <i>Plastic ferrite</i>	-

*Kit ricambio guarnizione principale. *Main seat spare kit.

**Kit ricambio completo (comprensivo di Kit ricambio guarnizione principale). ** Complete spare kit (including main seat spare kit).



VIP EVO PN40 / 580 psi

CODICI GAS EN 10226-1 Rp (ISO 7/1) GAS EN 10226-1 Rp (ISO 7/1) CODES

NBR		CODICI GAS CON GUARNIZIONI NBR				GAS CODES WITH NBR SEALING	
DN [mm]	[inch]	SR N.C.		SR N.O.		DA	
		Semplice effetto "N.C." Spring return "N.C."	+ solo magnete* senza finecorsa + only magnet* without limit switch	Semplice effetto "N.O." Spring return "N.O."	+ solo magnete* senza finecorsa + only magnet* without limit switch	Doppio effetto Double acting	+ solo magnete* senza finecorsa + only magnet* without limit switch
10	3/8"	VECHOJBBA1BCA00003	VECHOJBBA1BCA10003	VEAH0JBBA1BCA00003	VEAH0JBBA1BCA10003	VEDH0JBBA1BCA00003	VEDH0JBBA1BCA10003
15	1/2"	VECHOJBBA1BCA00004	VECHOJBBA1BCA10004	VEAH0JBBA1BCA00004	VEAH0JBBA1BCA10004	VEDH0JBBA1BCA00004	VEDH0JBBA1BCA10004
20	3/4"	VECHOJBBA1BCA00005	VECHOJBBA1BCA10005	VEAH0JBBA1BCA00005	VEAH0JBBA1BCA10005	VEDH0JBBA1BCA00005	VEDH0JBBA1BCA10005
25	1"	VECHOJBBA1BCA00006	VECHOJBBA1BCA10006	VEAH0JBBA1BCA00006	VEAH0JBBA1BCA10006	VEDH0JBBA1BCA00006	VEDH0JBBA1BCA10006
32	1 1/4"	VECHOJBBA1BCA00007	VECHOJBBA1BCA10007	VEAH0JBBA1BCA00007	VEAH0JBBA1BCA10007	VEDH0JBBA1BCA00007	VEDH0JBBA1BCA10007
40	1 1/2"	VECHOJBBA1BCA00008	VECHOJBBA1BCA10008	VEAH0JBBA1BCA00008	VEAH0JBBA1BCA10008	VEDH0JBBA1BCA00008	VEDH0JBBA1BCA10008
50	2"	VECHOJBBA1BCA00009	VECHOJBBA1BCA10009	VEAH0JBBA1BCA00009	VEAH0JBBA1BCA10009	VEDH0JBBA1BCA00009	VEDH0JBBA1BCA10009

EPDM		CODICI GAS CON GUARNIZIONI EPDM				GAS CODES WITH EPDM SEALING	
DN [mm]	[inch]	SR N.C.		SR N.O.		DA	
		Semplice effetto "N.C." Spring return "N.C."	+ solo magnete* senza finecorsa + only magnet* without limit switch	Semplice effetto "N.O." Spring return "N.O."	+ solo magnete* senza finecorsa + only magnet* without limit switch	Doppio effetto Double acting	+ solo magnete* senza finecorsa + only magnet* without limit switch
10	3/8"	VECHOJEEA1BCA00003	VECHOJEEA1BCA10003	VEAH0JEEA1BCA00003	VEAH0JEEA1BCA10003	VEDH0JEEA1BCA00003	VEDH0JEEA1BCA10003
15	1/2"	VECHOJEEA1BCA00004	VECHOJEEA1BCA10004	VEAH0JEEA1BCA00004	VEAH0JEEA1BCA10004	VEDH0JEEA1BCA00004	VEDH0JEEA1BCA10004
20	3/4"	VECHOJEEA1BCA00005	VECHOJEEA1BCA10005	VEAH0JEEA1BCA00005	VEAH0JEEA1BCA10005	VEDH0JEEA1BCA00005	VEDH0JEEA1BCA10005
25	1"	VECHOJEEA1BCA00006	VECHOJEEA1BCA10006	VEAH0JEEA1BCA00006	VEAH0JEEA1BCA10006	VEDH0JEEA1BCA00006	VEDH0JEEA1BCA10006
32	1 1/4"	VECHOJEEA1BCA00007	VECHOJEEA1BCA10007	VEAH0JEEA1BCA00007	VEAH0JEEA1BCA10007	VEDH0JEEA1BCA00007	VEDH0JEEA1BCA10007
40	1 1/2"	VECHOJEEA1BCA00008	VECHOJEEA1BCA10008	VEAH0JEEA1BCA00008	VEAH0JEEA1BCA10008	VEDH0JEEA1BCA00008	VEDH0JEEA1BCA10008
50	2"	VECHOJEEA1BCA00009	VECHOJEEA1BCA10009	VEAH0JEEA1BCA00009	VEAH0JEEA1BCA10009	VEDH0JEEA1BCA00009	VEDH0JEEA1BCA10009

FKM		CODICI GAS CON GUARNIZIONI FKM				GAS CODES WITH FKM SEALING	
DN [mm]	[inch]	SR N.C.		SR N.O.		DA	
		Semplice effetto "N.C." Spring return "N.C."	+ solo magnete* senza finecorsa + only magnet* without limit switch	Semplice effetto "N.O." Spring return "N.O."	+ solo magnete* senza finecorsa + only magnet* without limit switch	Doppio effetto Double acting	+ solo magnete* senza finecorsa + only magnet* without limit switch
10	3/8"	VECHOJVVA1BCA00003	VECHOJVVA1BCA10003	VEAH0JVVA1BCA00003	VEAH0JVVA1BCA10003	VEDH0JVVA1BCA00003	VEDH0JVVA1BCA10003
15	1/2"	VECHOJVVA1BCA00004	VECHOJVVA1BCA10004	VEAH0JVVA1BCA00004	VEAH0JVVA1BCA10004	VEDH0JVVA1BCA00004	VEDH0JVVA1BCA10004
20	3/4"	VECHOJVVA1BCA00005	VECHOJVVA1BCA10005	VEAH0JVVA1BCA00005	VEAH0JVVA1BCA10005	VEDH0JVVA1BCA00005	VEDH0JVVA1BCA10005
25	1"	VECHOJVVA1BCA00006	VECHOJVVA1BCA10006	VEAH0JVVA1BCA00006	VEAH0JVVA1BCA10006	VEDH0JVVA1BCA00006	VEDH0JVVA1BCA10006
32	1 1/4"	VECHOJVVA1BCA00007	VECHOJVVA1BCA10007	VEAH0JVVA1BCA00007	VEAH0JVVA1BCA10007	VEDH0JVVA1BCA00007	VEDH0JVVA1BCA10007
40	1 1/2"	VECHOJVVA1BCA00008	VECHOJVVA1BCA10008	VEAH0JVVA1BCA00008	VEAH0JVVA1BCA10008	VEDH0JVVA1BCA00008	VEDH0JVVA1BCA10008
50	2"	VECHOJVVA1BCA00009	VECHOJVVA1BCA10009	VEAH0JVVA1BCA00009	VEAH0JVVA1BCA10009	VEDH0JVVA1BCA00009	VEDH0JVVA1BCA10009

FKM O ₂		CODICI GAS FKM PER USO OSSIGENO				GAS FKM CODES FOR OXYGEN SERVICE	
VERSIONE SPECIALE SPECIAL VERSION: P max 30 bar (435psi), T max 60°C (140°F)							
DN [mm]	[inch]	SR N.C.		SR N.O.		DA	
		Semplice effetto "N.C." Spring return "N.C."	+ solo magnete* senza finecorsa + only magnet* without limit switch	Semplice effetto "N.O." Spring return "N.O."	+ solo magnete* senza finecorsa + only magnet* without limit switch	Doppio effetto Double acting	+ solo magnete* senza finecorsa + only magnet* without limit switch
10	3/8"	VECCXJVVA1BCA00003	VECCXJVVA1BCA10003	VEACXJVVA1BCA00003	VEACXJVVA1BCA10003	VEDCXJVVA1BCA00003	VEDCXJVVA1BCA10003
15	1/2"	VECCXJVVA1BCA00004	VECCXJVVA1BCA10004	VEACXJVVA1BCA00004	VEACXJVVA1BCA10004	VEDCXJVVA1BCA00004	VEDCXJVVA1BCA10004
20	3/4"	VECCXJVVA1BCA00005	VECCXJVVA1BCA10005	VEACXJVVA1BCA00005	VEACXJVVA1BCA10005	VEDCXJVVA1BCA00005	VEDCXJVVA1BCA10005
25	1"	VECCXJVVA1BCA00006	VECCXJVVA1BCA10006	VEACXJVVA1BCA00006	VEACXJVVA1BCA10006	VEDCXJVVA1BCA00006	VEDCXJVVA1BCA10006
32	1 1/4"	VECCXJVVA1BCA00007	VECCXJVVA1BCA10007	VEACXJVVA1BCA00007	VEACXJVVA1BCA10007	VEDCXJVVA1BCA00007	VEDCXJVVA1BCA10007
40	1 1/2"	VECCXJVVA1BCA00008	VECCXJVVA1BCA10008	VEACXJVVA1BCA00008	VEACXJVVA1BCA10008	VEDCXJVVA1BCA00008	VEDCXJVVA1BCA10008
50	2"	VECCXJVVA1BCA00009	VECCXJVVA1BCA10009	VEACXJVVA1BCA00009	VEACXJVVA1BCA10009	VEDCXJVVA1BCA00009	VEDCXJVVA1BCA10009

Per VIP EVO ad uso ossigeno non sono disponibili Kit di ricambio. Spare parts are not available for VIP EVO for oxygen service.

* Versione con predisposizione all'uso dei finecorsa. * Version with limit switch arrangement.

CODICI FINECORSA LIMIT SWITCHES CODES							
Tipo di contatto Type of contact		N.O.		N.O.		N.O.	
Certificazioni Certifications		CE/UKCA/UL/EAC/CCC		CE/UKCA/UL/EAC/CCC		CE/UKCA/UL/EAC	
Codice Code		FM7B7200		FM7B9200 FM7B9112		FM7C3200 FM7C3112	
		FM7A3200		FM7A3112			



VIP EVO PN40 / 580 psi

CODICI NPT NPT CODES

NBR		CODICI NPT CON GUARNIZIONI NBR				NPT CODES WITH NBR SEALING	
DN [mm]	[inch]	SR N.C.		SR N.O.		DA	
		Semplice effetto "N.C." Spring return "N.C."	+ solo magnete* senza finecorsa + only magnet* without limit switch	Semplice effetto "N.O." Spring return "N.O."	+ solo magnete* senza finecorsa + only magnet* without limit switch	Doppio effetto Double acting	+ solo magnete* senza finecorsa + only magnet* without limit switch
10	3/8"	VECH0JBBA2BCA00403	VECH0JBBA2BCA10403	VEAH0JBBA2BCA00403	VEAH0JBBA2BCA10403	VEDH0JBBA2BCA00403	VEDH0JBBA2BCA10403
15	1/2"	VECH0JBBA2BCA00404	VECH0JBBA2BCA10404	VEAH0JBBA2BCA00404	VEAH0JBBA2BCA10404	VEDH0JBBA2BCA00404	VEDH0JBBA2BCA10404
20	3/4"	VECH0JBBA2BCA00405	VECH0JBBA2BCA10405	VEAH0JBBA2BCA00405	VEAH0JBBA2BCA10405	VEDH0JBBA2BCA00405	VEDH0JBBA2BCA10405
25	1"	VECH0JBBA2BCA00406	VECH0JBBA2BCA10406	VEAH0JBBA2BCA00406	VEAH0JBBA2BCA10406	VEDH0JBBA2BCA00406	VEDH0JBBA2BCA10406
32	1 1/4"	VECH0JBBA2BCA00407	VECH0JBBA2BCA10407	VEAH0JBBA2BCA00407	VEAH0JBBA2BCA10407	VEDH0JBBA2BCA00407	VEDH0JBBA2BCA10407
40	1 1/2"	VECH0JBBA2BCA00408	VECH0JBBA2BCA10408	VEAH0JBBA2BCA00408	VEAH0JBBA2BCA10408	VEDH0JBBA2BCA00408	VEDH0JBBA2BCA10408
50	2"	VECH0JBBA2BCA00409	VECH0JBBA2BCA10409	VEAH0JBBA2BCA00409	VEAH0JBBA2BCA10409	VEDH0JBBA2BCA00409	VEDH0JBBA2BCA10409

EPDM		CODICI NPT CON GUARNIZIONI EPDM				NPT CODES WITH EPDM SEALING	
DN [mm]	[inch]	SR N.C.		SR N.O.		DA	
		Semplice effetto "N.C." Spring return "N.C."	+ solo magnete* senza finecorsa + only magnet* without limit switch	Semplice effetto "N.O." Spring return "N.O."	+ solo magnete* senza finecorsa + only magnet* without limit switch	Doppio effetto Double acting	+ solo magnete* senza finecorsa + only magnet* without limit switch
10	3/8"	VECH0JEEA2BCA00403	VECH0JEEA2BCA10403	VEAH0JEEA2BCA00403	VEAH0JEEA2BCA10403	VEDH0JEEA2BCA00403	VEDH0JEEA2BCA10403
15	1/2"	VECH0JEEA2BCA00404	VECH0JEEA2BCA10404	VEAH0JEEA2BCA00404	VEAH0JEEA2BCA10404	VEDH0JEEA2BCA00404	VEDH0JEEA2BCA10404
20	3/4"	VECH0JEEA2BCA00405	VECH0JEEA2BCA10405	VEAH0JEEA2BCA00405	VEAH0JEEA2BCA10405	VEDH0JEEA2BCA00405	VEDH0JEEA2BCA10405
25	1"	VECH0JEEA2BCA00406	VECH0JEEA2BCA10406	VEAH0JEEA2BCA00406	VEAH0JEEA2BCA10406	VEDH0JEEA2BCA00406	VEDH0JEEA2BCA10406
32	1 1/4"	VECH0JEEA2BCA00407	VECH0JEEA2BCA10407	VEAH0JEEA2BCA00407	VEAH0JEEA2BCA10407	VEDH0JEEA2BCA00407	VEDH0JEEA2BCA10407
40	1 1/2"	VECH0JEEA2BCA00408	VECH0JEEA2BCA10408	VEAH0JEEA2BCA00408	VEAH0JEEA2BCA10408	VEDH0JEEA2BCA00408	VEDH0JEEA2BCA10408
50	2"	VECH0JEEA2BCA00409	VECH0JEEA2BCA10409	VEAH0JEEA2BCA00409	VEAH0JEEA2BCA10409	VEDH0JEEA2BCA00409	VEDH0JEEA2BCA10409

FKM		CODICI NPT CON GUARNIZIONI FKM				NPT CODES WITH FKM SEALING	
DN [mm]	[inch]	SR N.C.		SR N.O.		DA	
		Semplice effetto "N.C." Spring return "N.C."	+ solo magnete* senza finecorsa + only magnet* without limit switch	Semplice effetto "N.O." Spring return "N.O."	+ solo magnete* senza finecorsa + only magnet* without limit switch	Doppio effetto Double acting	+ solo magnete* senza finecorsa + only magnet* without limit switch
10	3/8"	VECH0JVVA2BCA00403	VECH0JVVA2BCA10403	VEAH0JVVA2BCA00403	VEAH0JVVA2BCA10403	VEDH0JVVA2BCA00403	VEDH0JVVA2BCA10403
15	1/2"	VECH0JVVA2BCA00404	VECH0JVVA2BCA10404	VEAH0JVVA2BCA00404	VEAH0JVVA2BCA10404	VEDH0JVVA2BCA00404	VEDH0JVVA2BCA10404
20	3/4"	VECH0JVVA2BCA00405	VECH0JVVA2BCA10405	VEAH0JVVA2BCA00405	VEAH0JVVA2BCA10405	VEDH0JVVA2BCA00405	VEDH0JVVA2BCA10405
25	1"	VECH0JVVA2BCA00406	VECH0JVVA2BCA10406	VEAH0JVVA2BCA00406	VEAH0JVVA2BCA10406	VEDH0JVVA2BCA00406	VEDH0JVVA2BCA10406
32	1 1/4"	VECH0JVVA2BCA00407	VECH0JVVA2BCA10407	VEAH0JVVA2BCA00407	VEAH0JVVA2BCA10407	VEDH0JVVA2BCA00407	VEDH0JVVA2BCA10407
40	1 1/2"	VECH0JVVA2BCA00408	VECH0JVVA2BCA10408	VEAH0JVVA2BCA00408	VEAH0JVVA2BCA10408	VEDH0JVVA2BCA00408	VEDH0JVVA2BCA10408
50	2"	VECH0JVVA2BCA00409	VECH0JVVA2BCA10409	VEAH0JVVA2BCA00409	VEAH0JVVA2BCA10409	VEDH0JVVA2BCA00409	VEDH0JVVA2BCA10409

FKM O ₂		CODICI NPT FKM PER USO OSSIGENO				NPT FKM CODES FOR OXYGEN SERVICE	
VERSIONE SPECIALE SPECIAL VERSION: P max 30 bar (435psi), T max 60°C (140°F)							
DN [mm]	[inch]	SR N.C.		SR N.O.		DA	
		Semplice effetto "N.C." Spring return "N.C."	+ solo magnete* senza finecorsa + only magnet* without limit switch	Semplice effetto "N.O." Spring return "N.O."	+ solo magnete* senza finecorsa + only magnet* without limit switch	Doppio effetto Double acting	+ solo magnete* senza finecorsa + only magnet* without limit switch
10	3/8"	VECCXJVVA2BCA00403	VECCXJVVA2BCA10403	VEACXJVVA2BCA00403	VEACXJVVA2BCA10403	VEDCXJVVA2BCA00403	VEDCXJVVA2BCA10403
15	1/2"	VECCXJVVA2BCA00404	VECCXJVVA2BCA10404	VEACXJVVA2BCA00404	VEACXJVVA2BCA10404	VEDCXJVVA2BCA00404	VEDCXJVVA2BCA10404
20	3/4"	VECCXJVVA2BCA00405	VECCXJVVA2BCA10405	VEACXJVVA2BCA00405	VEACXJVVA2BCA10405	VEDCXJVVA2BCA00405	VEDCXJVVA2BCA10405
25	1"	VECCXJVVA2BCA00406	VECCXJVVA2BCA10406	VEACXJVVA2BCA00406	VEACXJVVA2BCA10406	VEDCXJVVA2BCA00406	VEDCXJVVA2BCA10406
32	1 1/4"	VECCXJVVA2BCA00407	VECCXJVVA2BCA10407	VEACXJVVA2BCA00407	VEACXJVVA2BCA10407	VEDCXJVVA2BCA00407	VEDCXJVVA2BCA10407
40	1 1/2"	VECCXJVVA2BCA00408	VECCXJVVA2BCA10408	VEACXJVVA2BCA00408	VEACXJVVA2BCA10408	VEDCXJVVA2BCA00408	VEDCXJVVA2BCA10408
50	2"	VECCXJVVA2BCA00409	VECCXJVVA2BCA10409	VEACXJVVA2BCA00409	VEACXJVVA2BCA10409	VEDCXJVVA2BCA00409	VEDCXJVVA2BCA10409

Per VIP EVO ad uso ossigeno non sono disponibili Kit di ricambio. Spare parts are not available for VIP EVO for oxygen service.

* Versione con predisposizione all'uso dei finecorsa. * Version with limit switch arrangement.

CODICI FINECORSA LIMIT SWITCHES CODES							
Tipo di contatto Type of contact		N.O.		N.O.		N.O.	
Certificazioni Certifications		CE/UKCA/UL/EAC/CCC		CE/UKCA/UL/EAC/CCC		CE/UKCA/UL/EAC	
Codice Code		FM7B7200		FM7B9200 FM7B9112		FM7C3200 FM7C3112	
		FM7A3200		FM7A3112			



VIP EVO PN40 / 580 psi

CODICI KIT DI RICAMBIO SPARE KIT CODES

NBR		KIT RICAMBIO PER GUARNIZIONI NBR	SPARE KIT FOR NBR SEALING
DN [mm]	[inch]	Kit ricambio guarnizione principale <i>Main seat spare kit</i>	Kit ricambio completo <i>Complete spare kit</i>
10	3/8"	KGEB203	KGEB203C
15	1/2"	KGEB204	KGEB204C
20	3/4"	KGEB205	KGEB205C
25	1"	KGEB206	KGEB206C
32	1"1/4	KGEB207	KGEB207C
40	1"1/2	KGEB208	KGEB208C
50	2"	KGEB209	KGEB209C

EPDM		KIT RICAMBIO PER GUARNIZIONI EPDM	SPARE KIT FOR EPDM SEALING
DN [mm]	[inch]	Kit ricambio guarnizione principale <i>Main seat spare kit</i>	Kit ricambio completo <i>Complete spare kit</i>
10	3/8"	KGEE203	KGEE203C
15	1/2"	KGEE204	KGEE204C
20	3/4"	KGEE205	KGEE205C
25	1"	KGEE206	KGEE206C
32	1"1/4	KGEE207	KGEE207C
40	1"1/2	KGEE208	KGEE208C
50	2"	KGEE209	KGEE209C

FKM		KIT RICAMBIO PER GUARNIZIONI FKM	SPARE KIT FOR FKM SEALING
DN [mm]	[inch]	Kit ricambio guarnizione principale <i>Main seat spare kit</i>	Kit ricambio completo <i>Complete spare kit</i>
10	3/8"	KGEV203	KGEV203C
15	1/2"	KGEV204	KGEV204C
20	3/4"	KGEV205	KGEV205C
25	1"	KGEV206	KGEV206C
32	1"1/4	KGEV207	KGEV207C
40	1"1/2	KGEV208	KGEV208C
50	2"	KGEV209	KGEV209C

Per VIP EVO ad uso ossigeno non sono disponibili Kit di ricambio. *Spare parts are not available for VIP EVO for oxygen service.*



VIP EVO PN40 / 580 psi

SCHEMA DI FUNZIONAMENTO WORKING PLAN

Semplice Effetto SR N.C. Spring Return SR N.C.	Semplice Effetto SR N.O. Spring Return SR N.O.	Doppio Effetto DA Double Acting DA

DIAGRAMMA PRESSIONE / TEMPERATURA PRESSURE / TEMPERATURE DIAGRAM

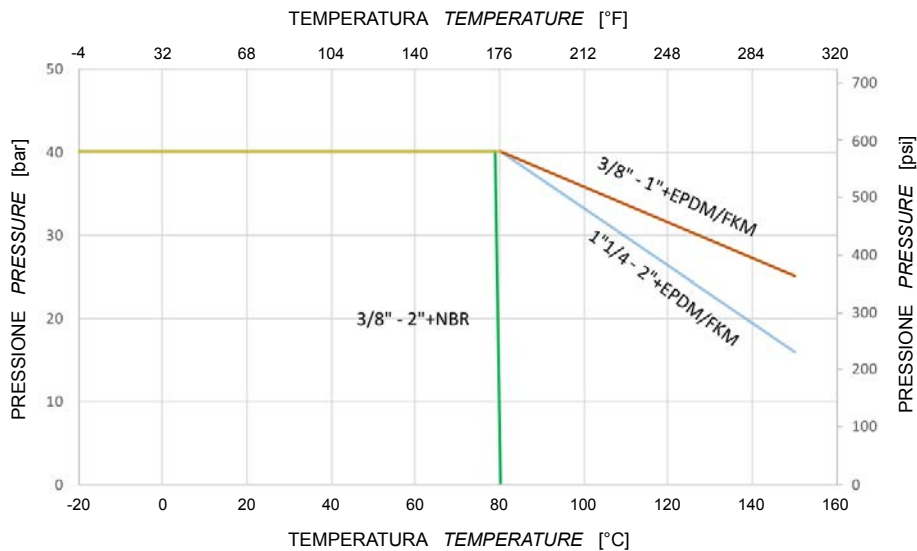
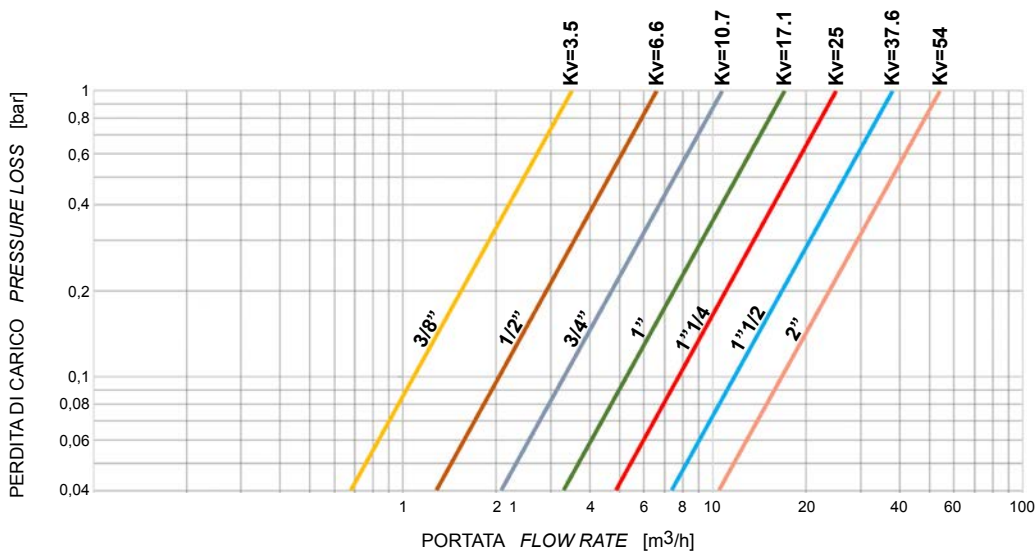


DIAGRAMMA PORTATA / PERDITA DI CARICO E COEFFICIENTE NOMINALE FLOW RATE / PRESSURE LOSS AND NOMINAL COEFFICIENT



Il valore Kv è il valore di portata in m³/h (con acqua a 15°C) provocante la caduta di pressione di 1 bar.

Kv is the coefficient, expressed in m³/h (with water at 15°C) causing a pressure loss of 1 bar.

Cv factor is the flow of water at 60°F in US gallons/minutes (gpm) at appressure drop of 1lb / in².

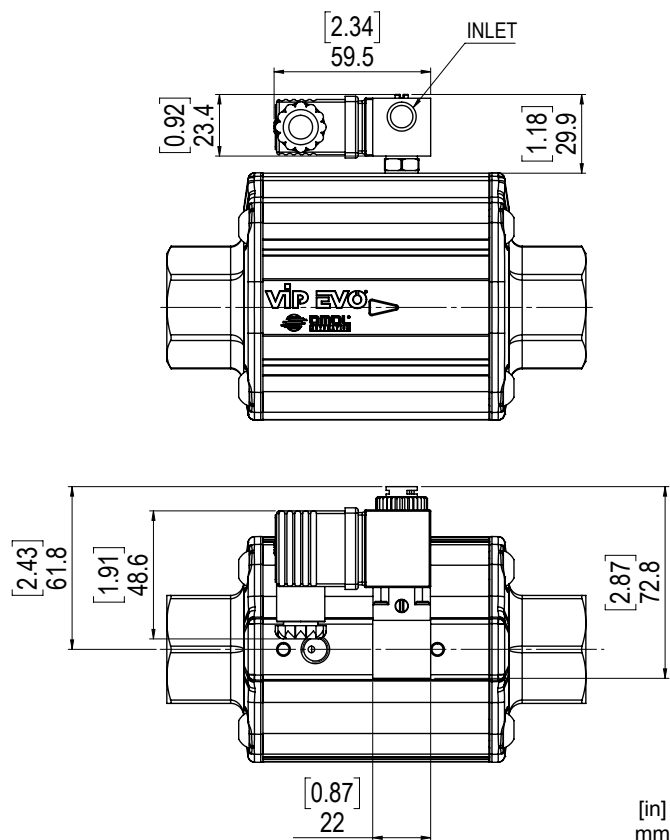
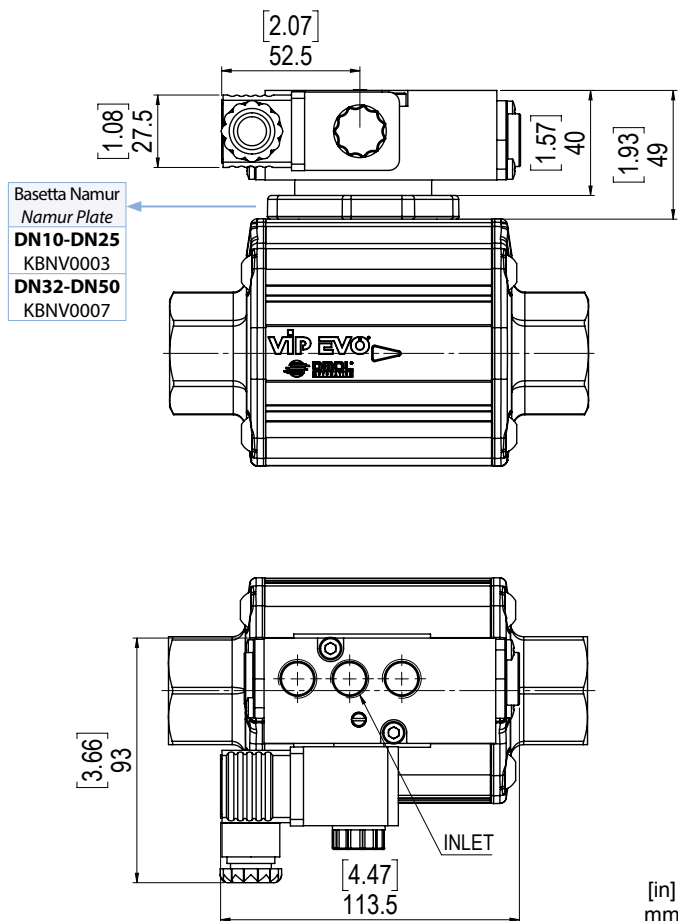
Cv = 1,156 * Kv



ACCESSORI VIP EVO VIP EVO ACCESSORIES

ELETTROVALVOLA NAMUR	NAMUR SOLENOID VALVE				
Elettrovalvola Solenoid valve	ER8188A2	ER8188A4	ER8188A5	ER8188C2	ER8188C4
Voltaggio Voltage	24V AC	115V AC	230V AC	24V DC	110V DC

MICROELETTROVALVOLA	MICRO SOLENOID VALVE				
Elettrovalvola Solenoid valve	EP415024	EP415110	EP415220	EP412012	EP412024
Voltaggio Voltage	24V AC	115V AC	230V AC	12V DC	24V DC



Elettrovalvola 5/2 a norma NAMUR

- L'elettrovalvola è predisposta per la selezione tra la funzione 5/2 e 3/2 vie che si realizza utilizzando l'appropriata piastra di interfacciamento dell'elettrovalvola.
- Potenza assorbita D.C.: 2,5 W.
- Potenza assorbita A.C.: 2 W.
- Tolleranza tensione di alimentazione: $\pm 10\%$.
- Classe isolamento bobina: F.
- Grado di protezione con connettore: IP 65.
- Connessione elettrica: PG 9.
- Connessioni pneumatiche: alimentazione 1/4"; scarico 1/4" ISO 228.
- Pressione elettrovalvola max.: 10 bar (145 psi).
- Temperatura fluido di alimentazione: da -10°C a +80°C (da 14°F a 176°F).
- Temperatura ambiente: da -10°C a +50°C (da 14°F a 122°F).

Solenoid valve 5/2 as per NAMUR

- This solenoid valve is designed for the selection of the functions 5/2 and 3/2, which is realized by using with the appropriate mounting plate.
- Full-working input power - D.C.: 2,5 W.
- Full-working input power - A.C.: 2 W.
- Supply voltage tolerances: $\pm 10\%$.
- Coil insulation: F-class.
- Protection with connector: IP65.
- Electric connection: PG 9.
- Pneumatic connections: inlet 1/4"; outlet 1/4" ISO 228.
- Max. pressure: 10 bar (145 psi).
- Operating media temperature: from -10°C to +80°C (from 14°F to 176°F).
- Ambient temperature: from -10°C to +50°C (from 14°F to 122°F).

Microelettrovalvola universale compatta

- Il collegamento dell'elettrovalvola è eseguito direttamente nella presa d'aria dell'attuatore, eliminando qualsiasi pezzo intermedio e viti di fissaggio.
- Elettrovalvola del tipo 3/2 con un solenoide disponibile con le seguenti tensioni: 24-110-220V AC; 12-24V DC.
- Potenza assorbita allo spunto - A.C.: 9 VA.
- Potenza assorbita a regime - D.C.: 5 W.
- Potenza assorbita a regime - A.C.: 6 VA.
- Tolleranza tensione di alimentazione: $\pm 10\%$.
- Classe di isolamento filo di rame: H.
- Classe isolamento bobina: F.
- Grado di protezione con connettore: IP 65.
- Connessione elettrica: PG 9 (orientabile 360°).
- Connessione pneumatica: 1/8" ISO 228 (orientabile 360°).
- Pressione elettrovalvola max.: 10 bar (145 psi).
- Temperatura fluido di alimentazione: da -10°C a +50°C (da 14°F a 122°F).
- Temperatura ambiente: da -10°C a +50°C (da 14°F a 122°F).
- Diametro nominale di passaggio 1,3 mm (0,05 in).

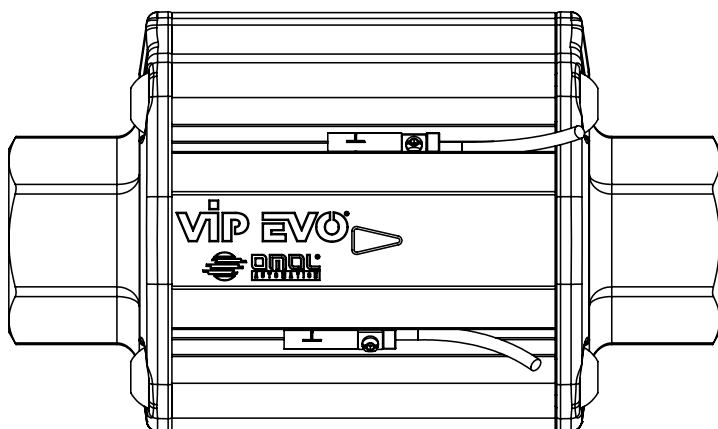
Micro solenoid valve

- This solenoid valve is connected by a joint which fits directly to the actuator air intake, without other fittings or fixing screws.
- 3/2 solenoid valve, with solenoid available in the following voltages: 24-110-220V AC; 12-24V DC.
- Starting input power - A.C.: 9 VA.
- Full-working input power - D.C.: 5 W.
- Full-working input power - A.C.: 6 VA.
- Supply voltage tolerances: $\pm 10\%$.
- Copper wire insulation: H-class.
- Coil insulation: F-class.
- Protection with connector: IP65.
- Electric connection: PG 9 any orientation acceptable 360°.
- Pneumatic connections: 1/8" ISO 228 any orientation acceptable 360°.
- Max. pressure: 10 bar (145 psi).
- Operating media temperature: from -10°C to +50°C (from 14°F to 122°F).
- Ambient temperature: from -10°C to +50°C (from 14°F to 122°F).
- Bore 1,3 mm (0,05 in).



ACCESSORI VIP EVO VIP EVO ACCESSORIES

FINECORSA LIMIT SWITCH



VIP EVO é predisposto per l'utilizzo di finecorsa induttivi a contatto magnetico, con led di segnalazione, i quali vengono forniti con un kit che ne consente un rapido fissaggio nelle scanalature laterali del corpo. I magneti per la rilevazione della posizione tramite finecorsa si trovano all'interno, di conseguenza si possono installare solamente durante l'assemblaggio di VIP EVO e non in fase successiva. Per questo motivo é necessario **specificare in fase d'ordine la richiesta del magnete**.

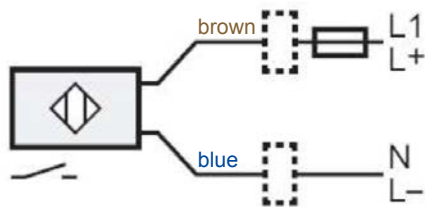
VIP EVO can be provided with inductive limit switch (magnetic contact) and signal LED. Limit switches can be easily mounted in the integrated slots and fixed with a screw. Since the magnets are situated inside the valve, they must be mounted while assembling the VIP EVO and not afterwards. For this reason, in case needed, **magnet must be requested at VIP EVO order phase**.

DATI TECNICI FINECORSA LIMIT SWITCH TECHNICAL DATA

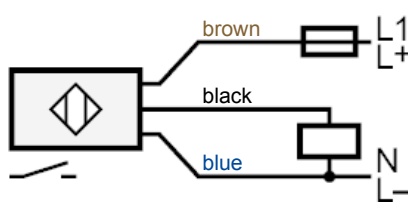
Modello elettrico <i>Electrical design</i>	REED (PNP/NPN)		REED (PNP)		HALL (PNP)		HALL (PNP)	
Tipo di contatto <i>Type of contact</i>	N.O.		N.O.		N.O.		N.O.	
Tensione alimentazione <i>Operating voltage</i>	V	5-120 AC/DC	5-50 AC/DC		10-30 DC		10-30 DC	
Permanente capacità di corrente dell'uscita di commutazione AC <i>Permanent current rating of switching output AC</i>	mA	100	350		-		-	
Permanente capacità di corrente dell'uscita di commutazione DC <i>Permanent current rating of switching output DC</i>	mA	100	500		100		100	
Grado di protezione <i>Degree of protection</i>		IP 67	IP 67		IP 69K		IP 67	
Temperatura ambiente <i>Ambient temperature</i>	°C	-25/70	-25/+70		-25/+85		-25/+60	
	°F	-13÷158	-13 ÷158		-13/185		-13/+140	
Numero fili <i>Wire number</i>		2	3		3		3	
Lunghezza filo <i>Wire length</i>	m	2	2	0,3	2	0,3	2	0,3
	ft	6,56	6,56	1	6,56	1	6,56	1
Collegamento <i>Mounting type</i>		Diretto <i>Direct</i>	Diretto <i>Direct</i>	M12	Diretto <i>Direct</i>	M12	Diretto <i>Direct</i>	M12
Categoria Atex <i>Atex category</i>		-	-		-		II 3D Ex tc IIIC T125°C Dc C	
Certificazioni <i>Certifications</i>		CE/UKCA/UL/EAC/CCC	CE/UKCA/UL/EAC/CCC		CE/UKCA/UL/EAC		CE/UKCA/EAC	
Codice <i>Code</i>		FM7B7200	FM7B9200	FM7B9112	FM7C3200	FM7C3112	FM7A3200	FM7A3112
Materiale <i>Material</i>		PA / Inox						

Cablaggio finecorsa Limit switch wiring

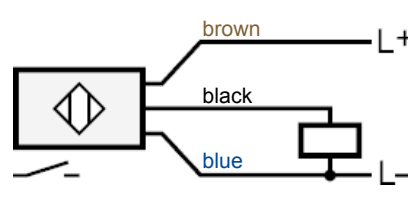
REED (2 fili / 2 wires)



REED (3 fili / 3 wires)

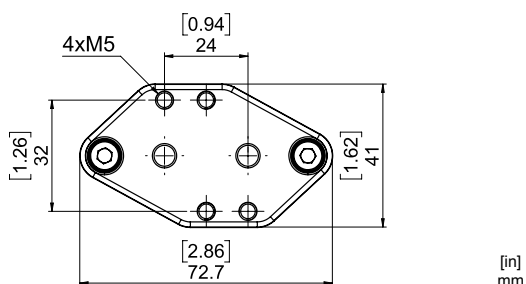


HALL (3 fili / 3 wires)

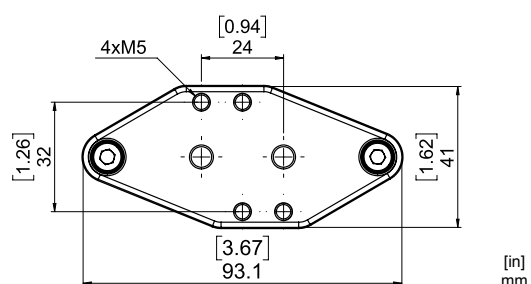


BASETTA INTERFACCIA NAMUR NAMUR PLATE ADAPTER

VIP EVO
DN10-DN25
KBNV0003



VIP EVO
DN32-DN50
KBNV0007





CERTIFICATI VIP EVO

VIP EVO CERTIFICATES



DNV

FULL QUALITY ASSURANCE CERTIFICATE

Certificate No.: C559822 Initial date: 01 January, 2023 Validity: 01 January, 2023 – 31 December, 2025
This certificate consists of 2 pages

This is to certify that the quality system of:
OMAL S.p.A.
Via Ponte Nuovo, 11 - 25050 Rodengo Saiano (BS) - Italy

has been assessed and found to comply with respect to the conformity assessment procedure described in:
ANNEX III MODULE H OF DIRECTIVE 2014/68/EU ON PRESSURE EQUIPMENT

This certificate is valid for the following scope:

Type of Pressure Equipment	Pressure Accessory
Product Name	Ball valves, high pressure ball valves, butterfly valves, pneumatic valves.

Place and date:
Vimercate, 03 December, 2022

Check Validity





For the issuing office:
Notified Body 0496, Italy
DNV Business Assurance Italy S.r.l.



Nicola Privato
Management Representative

Lack of fulfillment of conditions set out in the Certification Agreement may render this Certificate invalid.
NOTIFIED BODY 0496, DNV Business Assurance Italy S.r.l. Via Energy Park, 14, 20871 Vimercate (MB), Italy. Tel: 039 68 99 905. www.dnv.com ICP-4-S-IPED-19 rev 0

▲ PED

Certificazione del Sistema di Qualità applicato per la progettazione, fabbricazione, ispezione finale e la prova di valvole industriali in accordo con i requisiti della Direttiva PED.

OMAL operated Quality Management System Certificate for the design, manufacture, final inspection and tests of industrial valves in accordance with PED Directives





Appareil non électrique destiné à être utilisé en atmosphères explosibles
Non electrical equipment intended for use in potentially explosive atmospheres
Apparecchi non elettrici destinati ad essere utilizzati in atmosfera potenzialmente esplosiva

Directive 2014/34/EU
Directive 2014/34/EU / Direttiva 2014/34/UE

ACCUSÉ DE RECEPTION D'UN DOSSIER TECHNIQUE
ACKNOWLEDGE RECEIPT OF TECHNICAL DOCUMENTATION
AVVISO DI RICEVIMENTO DEL FASCICOLO TECNICO

Appareil / Equipment / Apparecchiatura: **PNEUMATIC VALVES**

Type(s) / Type(s) / Tipo(i): **ANGLE SEAT VALVES ABES-ATENA-ZEUS / PNEUMATIC COAXIAL VALVES VIP-VIP EVO**

Marquage / Marking / Marcatura:  **II 2 GD**

Dépositaire / Applicant / Richiedente: **OMAL S.p.A.**
Via Ponte Nuovo 11
I - 25050 Rodengo Saiano (BS)

<p>L'INERIS, organisme notifié et identifié sous le numéro 0200, conformément aux articles 17 et 21 de la Directive du Conseil 2014/34/UE du 26 février 2014, accuse réception du dossier conformément à la procédure décrite au chapitre 3, article 13 1) b) ii) de la Directive.</p> <p>La documentation technique référencée : VAP-19 dated 10/10/2019 est consignée sous le numéro d'enregistrement : n° INERIS-EQEN 035242/19.</p> <p>Dans le cadre de cet enregistrement, l'INERIS n'a pas examiné le contenu de la documentation technique.</p> <p>Date de fin de validité : 2029.11.07</p>	<p>INERIS, notified body and identified under number 0200, in accordance with articles 17 and 21 of Council Directive 2014/34/EU of the 26 February 2014, confirms the receipt of the file according to the procedure described in chapter 3, article 13 1) b) ii) of the Directive.</p> <p>The technical documentation referenced : VAP-19 dated 10/10/2019 is consigned under the reference : n° INERIS-EQEN 035242/19.</p> <p>Within the scope of the recording, INERIS did not examine the content of the technical documentation.</p> <p>Validity completion date : 2029.11.07</p>	<p>L'INERIS, organismo notificato e identificato con il n. 0200, conformemente agli articoli 17 e 21 della Direttiva 2014/34/UE del 26 febbraio 2014, conferma il ricevimento del fascicolo in conformità alla procedura prevista nella rubrica 3, articolo 13 1) b) ii) della Direttiva.</p> <p>La documentazione tecnica di riferimento : VAP-19 dated 10/10/2019 è depositata con il numero di registrazione : n° INERIS-EQEN 035242/19.</p> <p>Nel quadro di questa registrazione, INERIS non ha esaminato il contenuto della documentazione tecnica.</p> <p>Data di fine di validità : 2029.11.07</p> <p style="text-align: right;">Verneuil-en-Halatte, le 2019.11.07</p>
--	---	---

Le Directeur Général de
INERIS,
Par délégation,

The Chief Executive Officer of
INERIS,
By delegation,

Il Direttore generale
dell' INERIS,
Per Delega,

Ce document ne peut être reproduit que dans son intégralité / Only the entire document may be reported / Questo documento può essere riprodotto solo integralmente

Parc Technologique Alata BP 2 F-60550 Verneuil-en-Halatte
tél +33(0)3 44 55 66 77 fax +33(0)3 44 55 66 99 internet www.ineris.fr
Institut national de l'Environnement Industriel et des Risques
Etablissement public à caractère industriel et commercial - RCS Compilguez B 381 984 924 - Siret 381 984 921 00019 - APE 71200 - TVA Intracorp FR 73 381 984 921

▲ ATEX

Dichiarazione che il Sistema di Qualità applicato per la progettazione, fabbricazione, ispezione finale e la prova di valvole industriali è in accordo con i requisiti della Direttiva ATEX per apparecchiature destinate all'impiego in ambienti con atmosfera potenzialmente esplosiva.

Declaration that the Quality Management System operated by OMAL for the design, manufacture, final inspection and tests of industrial valves is in compliance with the Directive ATEX for equipment intended to be used in potentially explosive atmospheres.



CERTIFICATE

This certifies, that the company

Omal S.p.A.
Via Ponte Nuovo, 11
25050 Rodengo Saiano (BS)
Italy

Is authorized to provide the product mentioned below

Description of product: **Coaxial actuated valve series VIP EVO**

In accordance with: **EN 61508:2010 Parts 1, 2, 4, 5, 6, 7**

Registration No 20 20256 03
Test Report No PS-23789-23-M-03
File reference: 23789-03

Mario Giannini

TUV NORD Italia S.r.l. (TUV NORD Group)
Via Turati, 70 20123 Cerro Maggiore (MI) www.tuev-nord.it

Validity
from 2023-06-20
until 2026-06-20

Cerro Maggiore: 2023-06-20
prodotti@tuev-nord.it

Please also pay attention to the information stated overleaf

▲ SIL

Certificazione di conformità alla norma IEC 61508, del livello di sicurezza funzionale del prodotto destinato ad essere integrato in sistemi con un livello di integrità funzionale fino a SIL 3.

Certification of compliance to the IEC 61508 requirements, of the functional safety level provided by the product intended to be integrated in systems with required safety integrity level up to SIL 3.





3.4

**VALVOLE A FLUSSO
AVVIATO**

ANGLE SEAT VALVES



VALVOLE A FLUSSO AVVIATO

ANGLE SEAT VALVES

**PN 25****Acciaio inox**

ARES da 3/8" a 2"; **ATENA** versione compatta da 3/8" a 3/4" con attuatore ø40.

Stainless steel

ARES from 3/8" to 2"; **ATENA** compact version from 3/8" to 3/4" with actuator ø40.

**PN 16****Bronzo**

ZEUS: Versione in bronzo da 3/8" a 2"

Bronze

ZEUS: bronze versions from 3/8" to 2"

CARATTERISTICHE GENERALI:

- Attacchi valvola filettati secondo EN 10226-1 Rp (ex ISO 7/1) per valvole ARES; ISO 228/1 per valvole ZEUS. Altri tipi di attacchi a richiesta.
- Montaggio in ogni posizione: orizzontale, verticale, obliqua.
- Gamma disponibile da 3/8" a 2" nelle versioni doppio effetto, semplice effetto normalmente chiusa da sopra e sotto l'otturatore, semplice effetto normalmente aperta da sotto l'otturatore.
- **Conforme alla direttiva Europea 2014/68/UE "PED".**
- **Configurazione ATEX 2014/34/UE da richiedere in fase d'ordine.**
- Le diverse versioni degli azionamenti, le varie combinazioni della valvola e la possibilità di intercettare il flusso da sopra o sotto l'otturatore, danno origine a molteplici versioni della valvola automatica.
- Nelle tabelle seguenti sono elencate le versioni standard con i principali parametri di funzionamento.
- In base al tipo di valvola ed alla variazione di pressione ΔP che deve essere intercettata tra monte e valle della stessa, viene individuata la pressione di comando necessaria all'azionamento e conseguentemente il codice della valvola corrispondente.
- A richiesta: versioni per vuoto e per uso ossigeno.

FLUIDO DI COMANDO:

- Fluido di pilotaggio: aria compressa lubrificata o secca, gas e fluidi neutri.
- Temperatura ambiente: da -10°C a +60°C.

FLUIDO INTERCETTATO:

- Aria, acqua, alcool, olii, carburanti, soluzioni saline, vapore, ecc..(comunque compatibili con A 351 CF8M O CuSn5Zn5Pb5-B).
- Pressione di utilizzo da 0 a 16 / 25 bar (vapore a 180°C da 0 a 10 bar) in funzione della misura e della versione scelta (vedi pagine seguenti).
- Temperatura da -10°C a +180°C.
- Viscosità massima 600 cst (mm²/s).

GENERAL FEATURES:

- Threaded valve ends, as per EN 10226-1 Rp (ex ISO 7/1) for ARES valves; ISO 228/1 for ZEUS valves. Other types available on request.
- Assembling is possible in all positions: upright, flat or angled.
- Range available from 3/8" to 2" in the Double Acting versions, Spring Return N.C. from above and below the plug, Spring Return N.O. from below the plug.
- **According to 2014/68/EU "PED".**
- **2014/34/EU ATEX configuration to request at time of order.**
- The variations in the actioning of the valve, the several combinations and the possibility to intercept the fluid from above or below the plug, originate multiple versions of the automatic valve.
- In the table below are indicated the standard versions with the main parameters.
- On the basis of the kind of valve and the variations of pressure ΔP that must be intercepted, the necessary control pressure can be individuated, and consequently, the code for the corresponding valve.
- On request: versions for vacuum and oxygen service.

CONTROL MEDIA:

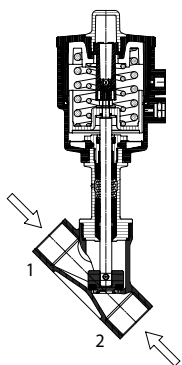
- Driving media: compressed air, lubricated or dry, gas or neutral media.
- Ambient temperature: -10°C to +60°C.

OPERATING MEDIA:

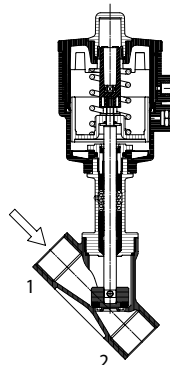
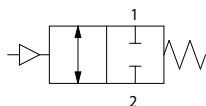
- Air, water, alcohol, oil, petroleum products, saline solutions, steam, etc. (as long as compatible with A 351 CF8M O CuSn5Zn5Pb5-B).
- Pressure from 0 to 16 / 25 bar (steam from 180°C, from 0 to 10 bar) depending on the size and model chosen (see following pages).
- Temperature from -10°C to 180°C.
- Max. viscosity 600 cst (mm²/s).



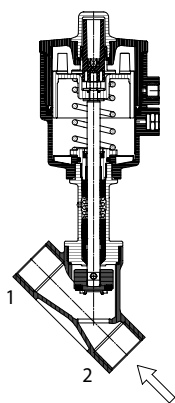
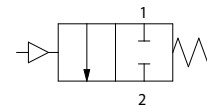
MODALITÀ DI IMPIEGO METHODS OF USE



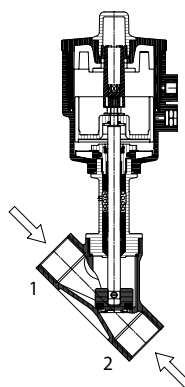
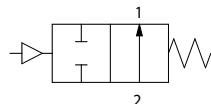
N.C. Normalmente chiusa bidirezionale. Con ingresso sotto l'otturatore si evita il colpo d'ariete.
 Ingresso sopra l'otturatore per fluidi comprimibili.
*N.C. Normally Closed bidirectional. With the flow coming from below the plug you avoid water hammering.
 Flow from above the plug for condensable media.*



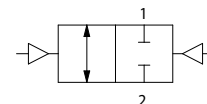
N.C. Normalmente chiusa con ingresso sopra l'otturatore.
 Ingresso sopra l'otturatore per fluidi comprimibili.
*N.C. Normally Closed with the flow from above the plug.
 Flow from above the plug for condensable media.*



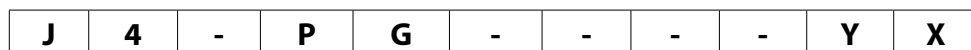
N.A. Normalmente aperta con ingresso sotto l'otturatore
N.O. Normally Open with flow from below the plug



Doppio effetto bidirezionale
Double Acting bidirectional



**SCHEMA DI CODIFICA VALVOLE A FLUSSO AVVIATO
 ANGLE SEAT VALVES CODE PLAN**



9

Versione Version
P = Standard
X = Per uso ossigeno
 For oxygen

**Ø teste di comando
 Ø control heads**
 14 = Ø 40
 16 = Ø 50
 18 = Ø 63
 21 = Ø 90
 23 = Ø 110

**YX solo per la versione
 ATEX**
YX only for ATEX version

Versione Version
4 = ARES - ATENA
9 = ZEUS

Versione Version
S = N.C. sottosedo anticampo d'ariete
below the plug anti water hammer
C = N.C. soprasede above the plug
A = N.A. - N.O.
D = doppio effetto - double acting

Tipo di connessioni Connection types
0 = Filettate Threaded
 - EN 10226-1 Rp (ex ISO 7/1) ARES;
 - ISO 228/1 ZEUS.
4 = Filettate Threaded
 NPT
 Per altri attacchi ARES vedere "ARES con attacchi speciali".
For other thread see "ARES with special ends".

Misura valvola Valve size
3 = 3/8"
4 = 1/2"
5 = 3/4"
6 = 1"
7 = 1" 1/4
8 = 1" 1/2
9 = 2"
4 = DN 15
5 = DN 20
6 = DN 25
7 = DN 32
8 = DN 40
9 = DN 50

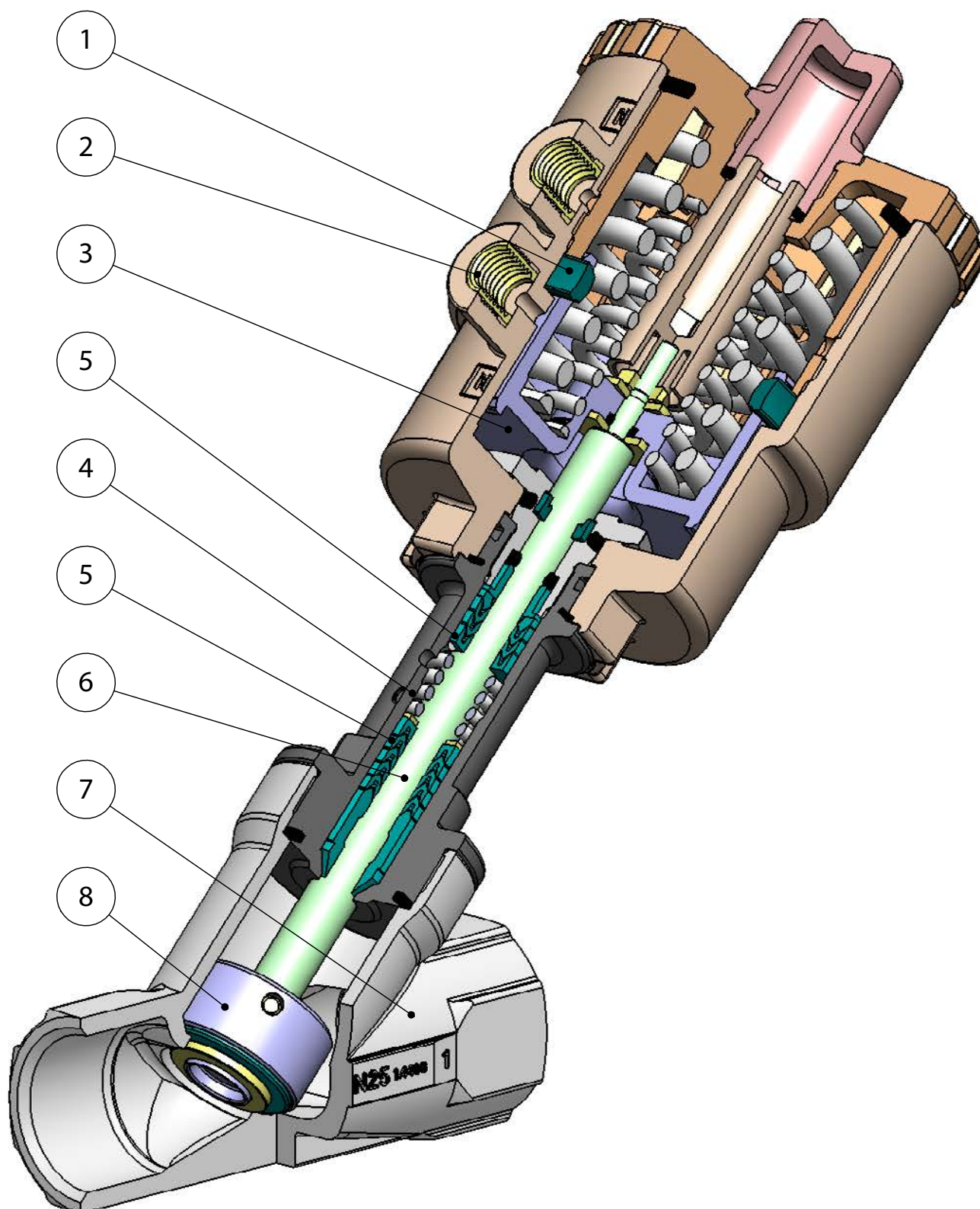
A richiesta versione per vuoto e per uso ossigeno *On request: versions for vacuum and oxygen service*
 Per versioni con teste di comando differenti dallo standard contattare l'ufficio commerciale OMAL.
For versions with control head different from standard executions, please contact our sales department

ANGLE SEAT VALVES



ARES

VALVOLA INCLINATA ANGLE SEAT VALVE





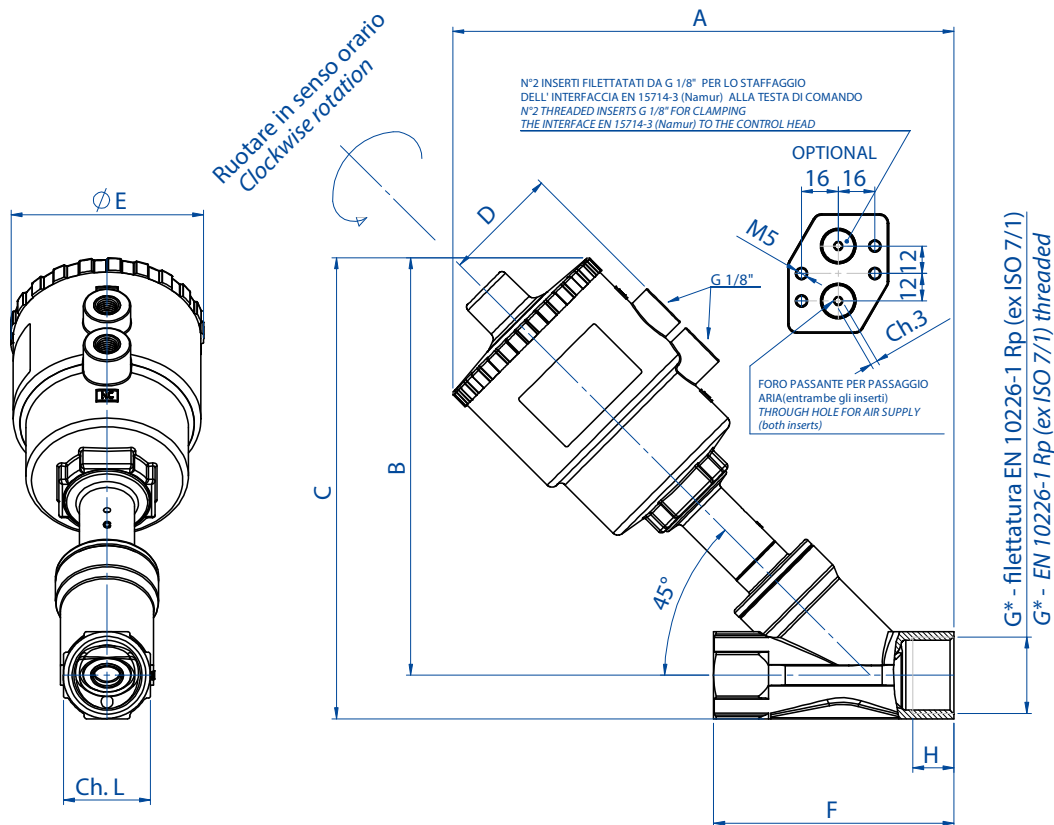
FEATURES & BENEFITS

1	<p>Guarnizione posizionata nel cilindro anziché sul pistone.</p> <p><i>Seal placed in the cylinder rather than on the piston.</i></p>	<p>Si ottiene una maggiore corsa dell'attuatore e dell'otturatore ad esso collegato garantendo grandi aperture del passaggio sulla sede (minor perdita di carico).</p> <p><i>Longer stroke of the actuator and shutter will be achieved, granting higher flow rate (less flow loss).</i></p>
		<p>Minor usura della guarnizione.</p> <p><i>Less wear of the seal.</i></p>
2	<p>Inseriti della testa di comando in 303 S.S..</p> <p><i>Piloting head inserts in 303 S.S..</i></p>	<p>Aumenta considerevolmente la resistenza alla corrosione causata da agenti esterni.</p> <p><i>Increases considerably the corrosion resistance caused by external agents.</i></p>
3	<p>Dal DN63 pistone metallico con rivestimento in NICHEL-CHIMICO (10-15 micron).</p> <p><i>Starting from DN63 metal piston with CHEMICAL NICKEL coating (10-15 micron).</i></p>	<p>Si riduce l'usura del pistone grazie al raggiungimento di una maggior durezza superficiale(700-750 HV).</p> <p><i>Reduces the wear of the piston due to the achievement of a greater surface hardness (700-750 HV).</i></p>
4	<p>Guarnizioni precaricate da molla.</p> <p><i>Seals pre-loaded by spring.</i></p>	<p>Garantiscono il recupero dei giochi dovuti all'usura causata dallo scorrimento lineare dell'albero evitando perdite verso l'esterno.</p> <p><i>Guarantee of the recovery of the gap due to the wear caused by the sliding of the shaft avoiding leakage towards the outside part.</i></p>
		<p>Consentono di mantenere energizzati le guarnizioni "chevron" (a V) compensandone le variazioni dimensionali anche a fronte di notevoli escursioni termiche.</p> <p><i>Allow to maintain energized the "chevron" seals (V) compensating the dimensional changes even in case of huge temperature excursions.</i></p>
5	<p>Guarnizioni tipo "chevron" (a "v") con 5 guarnizioni nella parte inferiore e 3 nella parte superiore della molla.</p> <p><i>CHEVRON seals (V shape) with 5 seals in the lower part of the spring and 3 seals in the upper part.</i></p>	<p>Si garantisce una perfetta tenuta anche dopo un numero elevato di cicli</p> <p><i>It ensures a perfect tightness even after a high number of cycles</i></p>
6	<p>Albero rullato.</p> <p><i>Rolled shaft.</i></p>	<p>Minor usura delle guarnizioni grazie alla bassa rugosità (0,1 micron Ra) dell'albero che facilita lo scorrimento.</p> <p><i>Less wear of the seals due to the low roughness (0,1 micron Ra) which facilitate the sliding of the shaft.</i></p>
7	<p>Scartamento lungo.</p> <p><i>Longer face to face.</i></p>	<p>Miglior fluidodinamica con riduzione delle turbolenze.</p> <p><i>Better fluidodynamic with reduction of the turbulences.</i></p>
8	<p>Otturatore oscillante/autoallineante.</p> <p><i>Oscillating / self-aligning shutter.</i></p>	<p>Si adatta perfettamente alla sede sul corpo valvola garantendo una massima tenuta.</p> <p><i>It fits perfectly to the valve body ensuring the maximum tightness.</i></p>
	<p>Certificato ATEX.</p> <p><i>ATEX Certificate.</i></p>	<p>Ne consente l'installazione in presenza di ambiente potenzialmente esplosivo.</p> <p><i>Installation is allowed in a potential explosive environment.</i></p>
	<p>Certificato PED.</p> <p><i>PED Certificate.</i></p>	<p>Piena conformità alle norme di sicurezza europee per i dispositivi in pressione.</p> <p><i>Full compliance with European Safety Standards for Pressure Equipment.</i></p>



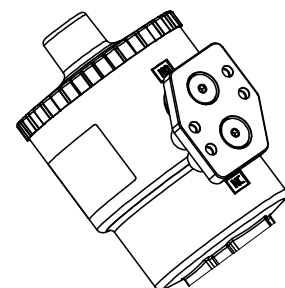
ARES

Testa di comando orientabile a 360° Control head adjustable at 360°



Esempio dell'interfaccia EN 15714-3 (Namur) assemblata alla testa di comando
Disponibile A RICHIESTA nel caso di pilotaggio di elettrovalvola NAMUR
Codice: KBNJ0001

Example of NAMUR plate EN 15714-3 to be assembled on the control head
Available ON REQUEST once NAMUR Solenoid valve should be needed
Code: KBNJ0001



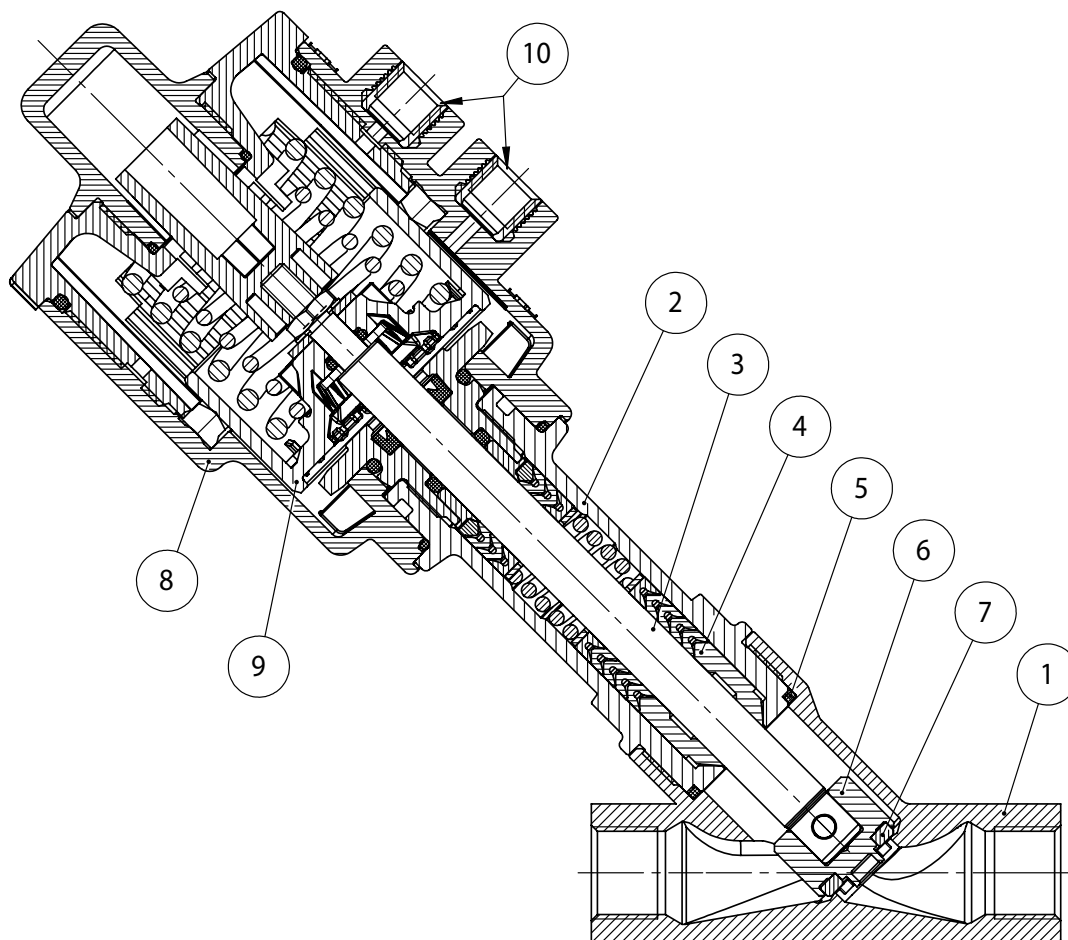
DIMENSIONI DIMENSIONS

DN [mm]	G* [inch]	ATTUATORE ACTUATOR	A	B	C	D	øE	F	ch. L	H
15	3/8"	Ø 50	190	156,5	169	44	70	85	25	12
15	1/2"	Ø 50	190	156,5	169	44	70	85	25	15
20	3/4"	Ø 50	195	160,5	176	44	70	95	31	16,3
20	3/4"	Ø 63	213	178,5	194,4	50,5	84,4	95	31	16,3
25	1"	Ø 50	200	164	183	44	70	105	38	19,5
25	1"	Ø 63	219	183	202	50,5	84,4	105	38	19,5
25	1"	Ø 90	259	223	242	66,2	116,4	105	38	19
32	1 1/4"	Ø 50	208	167,5	191	44	70	120	47	19
32	1 1/4"	Ø 63	226	185,5	209	50,5	84,4	120	47	19
32	1 1/4"	Ø 90	266	225,5	249	66,2	116,4	120	47	18
32	1 1/4"	Ø 110	302	261,5	285	77,4	140,6	120	47	18
40	1 1/2"	Ø 63	231	191	218	50,5	84,4	130	54	18
40	1 1/2"	Ø 90	271	231	258	66,2	116,4	130	54	20
40	1 1/2"	Ø 110	307	266	294	77,4	140,6	130	54	20
50	2"	Ø 63	245	200	233	50,5	84,4	150	66	20
50	2"	Ø 90	285	241	274	66,2	116,4	150	66	20
50	2"	Ø 110	321	276	310	77,4	140,6	150	66	20

* A richiesta la versione con filettatura NPT On request NPT-threading



ARES



N°	MATERIALI	MATERIALS
1	Corpo valvola <i>Valve body</i>	A351-CF8M (316 S.S.)
2	Cannotto premistoppa <i>Sleeve</i>	A351-CF8M (316 S.S.)
3	Stelo <i>Stem</i>	316L S.S.
4*	Guarnizioni stelo <i>Stem seals</i>	PTFE-CF
5*	Guarnizione corpo <i>Body seal</i>	GRAPHITE
6	Otturatore <i>Plug</i>	316L S.S.
7	Guarnizione otturatore <i>Plug seal</i>	PTFE
8	Testa di comando <i>Actuator cylinder</i>	Poliammide PA 66 + GF 30%
9	Pistone <i>Piston</i>	Ottone nichel chimico <i>Brass chem-nickel</i> (PBT + GF 20% testa/head ø40 - ø50)
10	Inseri di pilotaggio <i>Threading inserts</i>	303 S.S.
	Basetta namur <i>Namur plate</i> (OPTIONAL)	PA66 +GF30%, inseri ottone <i>brass inserts</i>

* Per applicazioni alta purezza sono disponibili guarnizioni stelo in PTFE vergine e guarnizione corpo in Peek
 For high purity application are allowable stem seals in virgin PTFE and body seals in Peek

DIAGRAMMA PRESSIONE/TEMPERATURA
TEMPERATURE/PRESSURE DIAGRAM

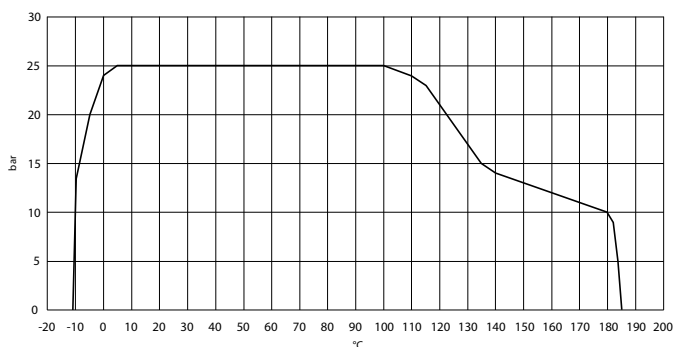
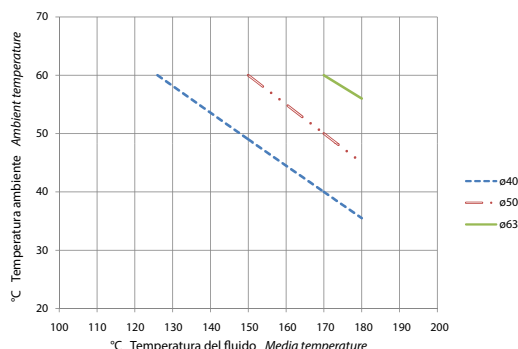


DIAGRAMMA T AMBIENTE/T FLUIDO INTERCETTABILE
AMBIENT TEMPERATURE/MEDIA TEMPERATURE DIAGRAM



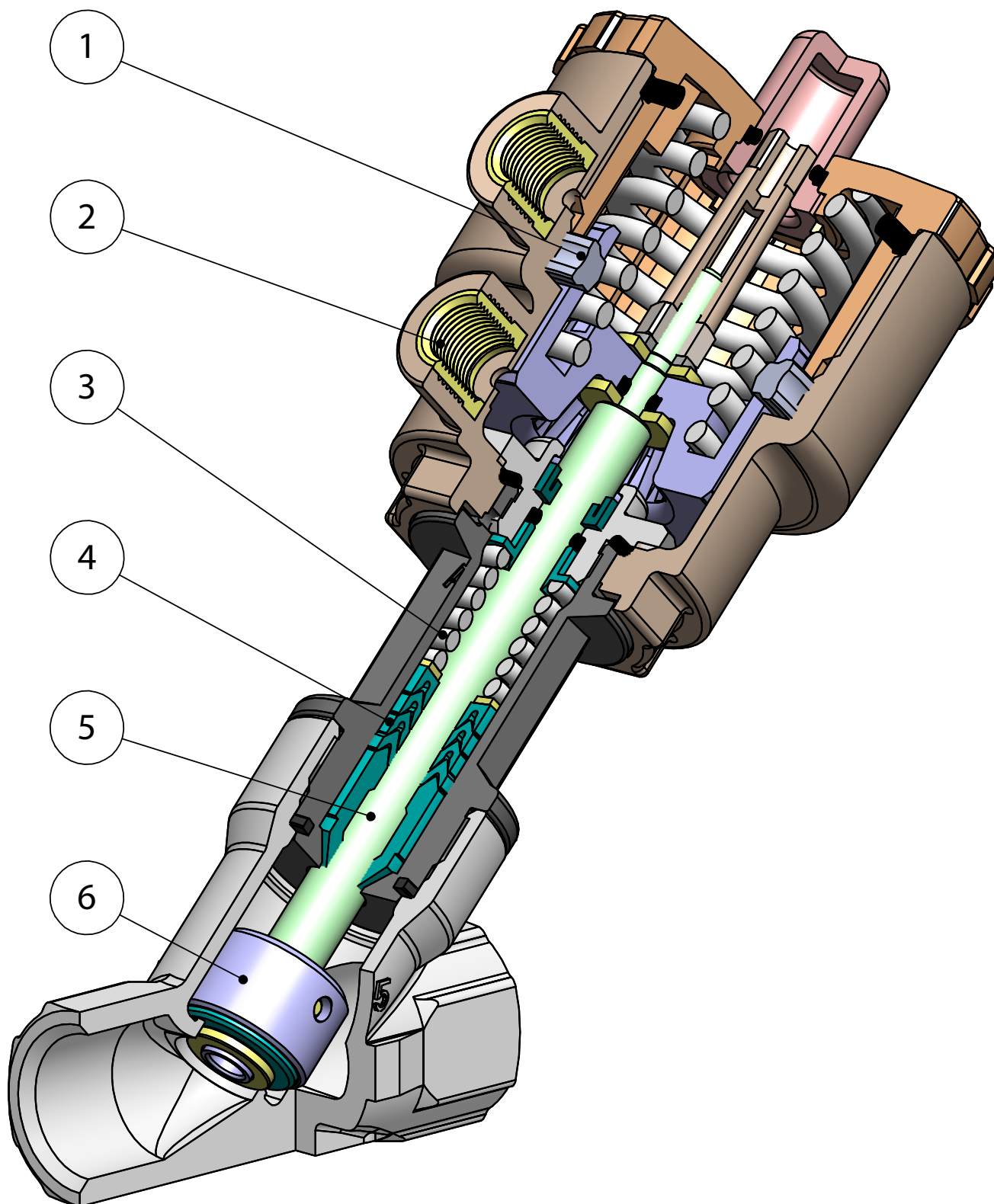
ARES / ATENA



ATENA

VALVOLA INCLINATA

ANGLE SEAT VALVE



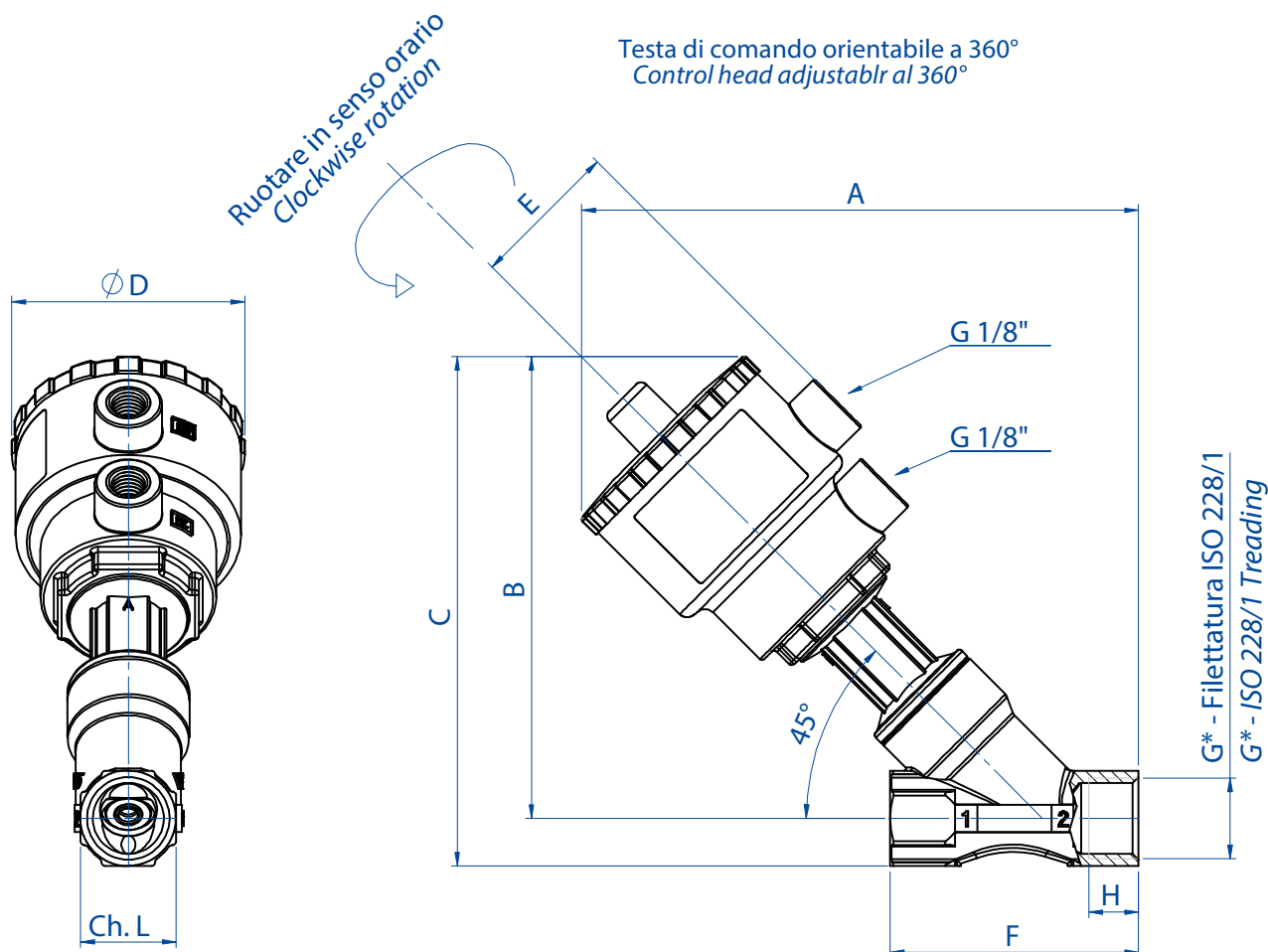


FEATURES & BENEFITS

1	<p>Guarnizione posizionata nel cilindro anziché sul pistone</p> <p><i>Seal placed in the cylinder rather than on the piston</i></p>	<p>Si ottiene una maggiore corsa dell'attuatore e dell'otturatore ad esso collegato garantendo grandi aperture del passaggio sulla sede (minor perdita di carico)</p> <p><i>Longer stroke of the actuator and shutter will be achieved, granting higher flow rate (less flow loss)</i></p>
		<p>Minor usura della guarnizione</p> <p><i>Less wear of the seal</i></p>
2	<p>Inserti della testa di comando in 303 S.S.</p> <p><i>Piloting head inserts in 303 S.S.</i></p>	<p>Aumenta considerevolmente la resistenza alla corrosione causata da agenti esterni</p> <p><i>Increases considerably the corrosion resistance caused by external agents</i></p>
3	<p>Guarnizioni precaricate da molla</p> <p><i>Seals pre-loaded by spring</i></p>	<p>Garantiscono il recupero dei giochi dovuti all'usura causata dallo scorrimento lineare dell'albero evitando perdite verso l'esterno</p> <p><i>Guarantee of the recovery of the gap due to the wear caused by the sliding of the shaft avoiding leakage towards the outside part.</i></p>
		<p>Consentono di mantenere energizzati le guarnizioni "chevron" (a V) compensandone le variazioni dimensionali anche a fronte di notevoli escursioni termiche</p> <p><i>Allow to maintain energized the "chevron" seals (V) compensating the dimensional changes even in case of huge temperature excursions</i></p>
4	<p>Guarnizioni tipo "chevron" (a "V") con 4 guarnizioni nella parte rivolta al fluido</p> <p><i>CHEVRON seals (V shape) with 4 seals in the part towards the fluid</i></p>	<p>Si garantisce una perfetta tenuta anche dopo un numero elevato di cicli</p> <p><i>It ensures a perfect tightness even after a high number of cycles</i></p>
5	<p>Albero rullato</p> <p><i>Rolled shaft</i></p>	<p>Minor usura delle guarnizioni grazie alla bassa rugosità (0,1 micron Ra) dell'albero che facilita lo scorrimento</p> <p><i>Less wear of the seals due to the low roughness (0,1 micron Ra) which facilitate the sliding of the shaft</i></p>
6	<p>Otturatore oscillante/autoallineante</p> <p><i>Oscillating / self-aligning shutter</i></p>	<p>Si adatta perfettamente alla sede sul corpo valvola garantendo una massima tenuta</p> <p><i>It fits perfectly to the valve body ensuring the maximum tightness</i></p>
	<p>Certificato ATEX</p> <p><i>ATEX Certificate</i></p>	<p>Ne consente l'installazione in presenza di ambiente potenzialmente esplosivo</p> <p><i>Installation is allowed in a potential explosive environment</i></p>



ATENA TESTA Ø40 HEAD Ø40



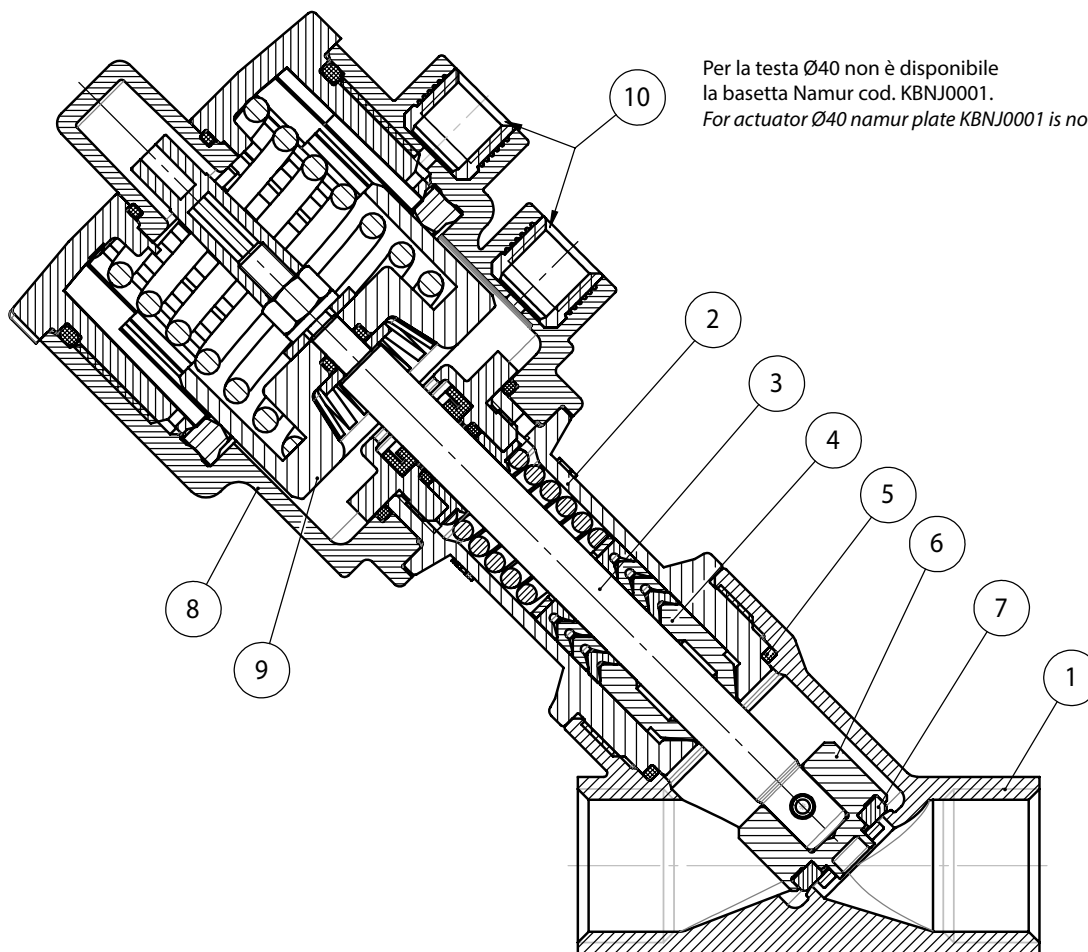
Per la testa Ø40 non è disponibile la bassetta Namur cod. KBNJ0001.
For actuator Ø40 namur plate KBNJ0001 is not available.

DIMENSIONI			DIMENSIONS							
			Versioni in CF8M CF8M version							
DN [mm]	G *[inch]	ATTUATORE ACTUATOR	A	B	C	ØD	E	F	H	ch. L
15	3/8"	Ø 40	144	121	134	61	39	65	12	25
15	1/2"	Ø 40	144	121	134	61	39	65	11	25
20	3/4"	Ø 40	151	128	143	61	39	75	14	31

* A richiesta la versione con filettatura NPT On request NPT-threading



ATENA TESTA Ø40 HEAD Ø40



Per la testa Ø40 non è disponibile la bassetta Namur cod. KBNJ0001.
For actuator Ø40 namur plate KBNJ0001 is not available.

N°	MATERIALI	MATERIALS
1	Corpo valvola Valve body	A351-CF8M (316 S.S.)
2	Cannotto premistoppa Sleeve	A351-CF8M (316 S.S.)
3	Stelo Stem	316L S.S.
4*	Guarnizioni stelo Stem seals	PTFE-CF
5*	Guarnizione corpo Body seal	GRAPHITE
6	Otturatore Plug	316L S.S.
7	Guarnizione otturatore Plug seal	PTFE
8	Testa di comando Actuator cylinder	Poliammide PA 66 + GF 30%
9	Pistone Piston	PBT + GF 20%
10	Inseriti di pilotaggio Threading inserts	303 S.S.

* Per applicazioni alta purezza sono disponibili guarnizioni stelo in PTFE vergine e guarnizione corpo in Peek
For high purity application are allowable stem seals in virgin PTFE and body seals in Peek

DIAGRAMMA PRESSIONE/TEMPERATURA
TEMPERATURE/PRESSURE DIAGRAM

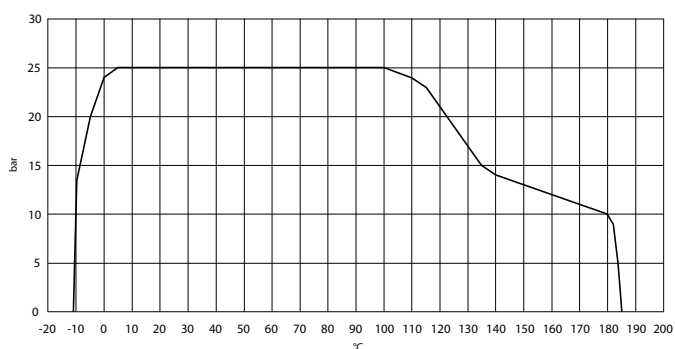
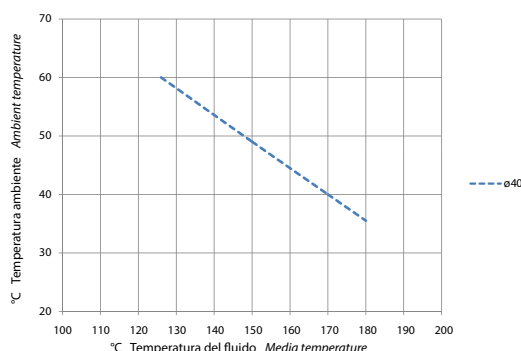


DIAGRAMMA T AMBIENTE/T FLUIDO INTERCETTABILE
AMBIENT TEMPERATURE/MEDIA TEMPERATURE DIAGRAM



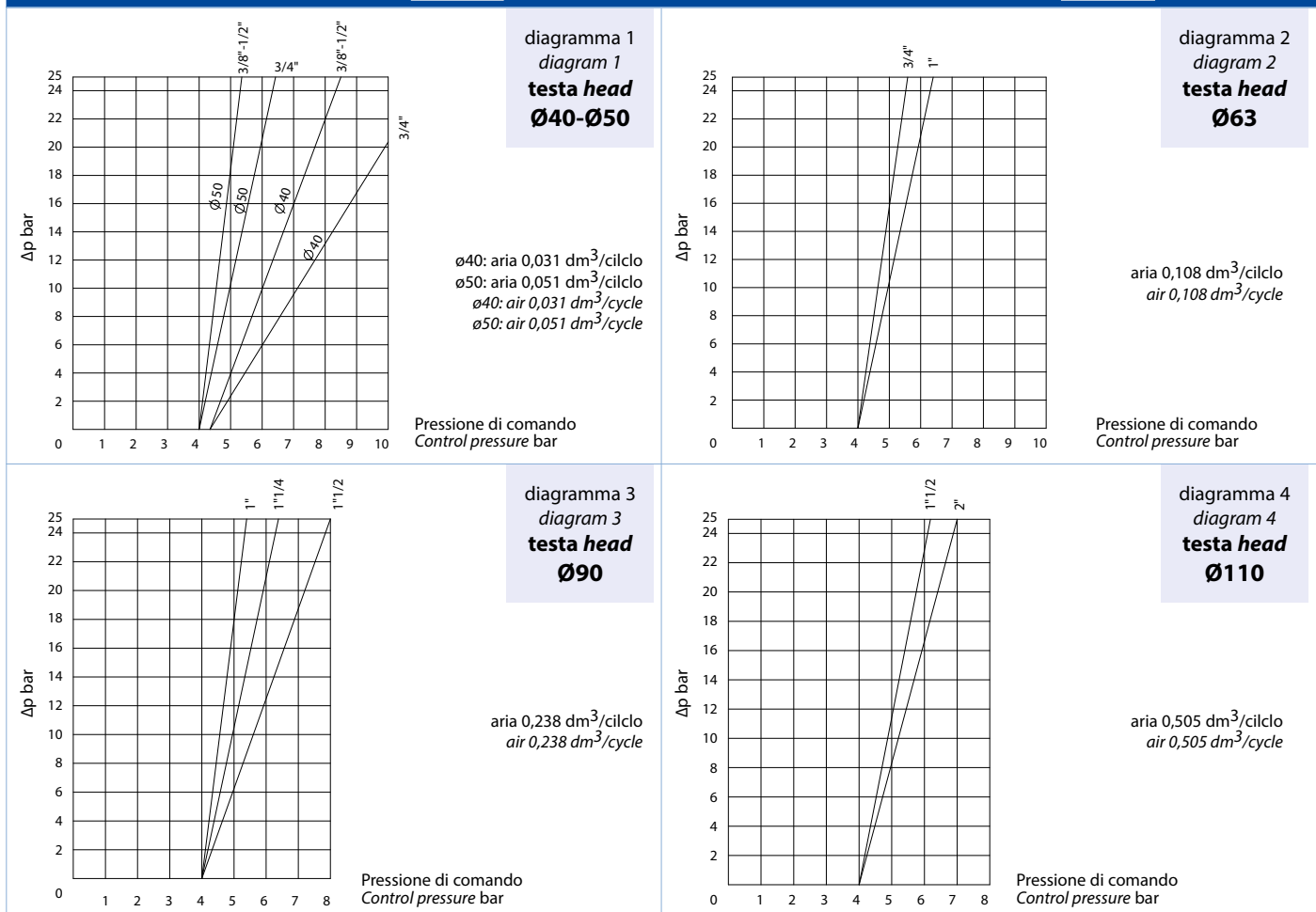
**ARES - ATENA****N.C. Normalmente Chiusa bidirezionale** (Con ingresso sotto l'otturatore si evita il colpo d'ariete).**N.C. Normally Closed bidirectional** (With the flow coming from below the plug you avoid water hammering).**CON INGRESSO DEL FLUIDO SOTTO L'OTTURATORE WITH THE FLOW FROM BELOW THE PLUG**

DN [mm]	Filettatura Threading	CODICE CODE CF8M	Kv m ³ /h	Ø Testa comando Ø Control head	P comando bar P control bar		P intercettata P operating ΔP max. bar	Peso Weight Kg.	KIT OTTURATORE DI RICAMBIO PLUG SPARE KIT	KIT TESTA DI RICAMBIO HEAD SPARE KIT
					Min	Max				
15	3/8"	J4SPG1403	4,5	40 (ATENA)	4,2	10	16	1	KGJP1303	J4SPG14R3
15	3/8"	J4SPG1603	4,9	50	4	10	16	1,1	KGJP1003	J4SPG16R3
15	1/2"	J4SPG1404	5,3	40 (ATENA)	4,2	10	16	1	KGJP1303	J4SPG14R4
15	1/2"	J4SPG1604	5,7	50	4	10	16	1	KGJP1003	J4SPG16R4
20	3/4"	J4SPG1405	9,2	40 (ATENA)	4,2	10	8	1,2	KGJP1305	J4SPG14R5
20	3/4"	J4SPG1605	10,5	50	4	10	10	1,2	KGJP1005	J4SPG16R5
20	3/4"	J4SPG1805	10,8	63	4	10	16	1,2	KGJP1005	J4SPG18R5
25	1"	J4SPG1806	20	63	4	10	11	1,6	KGJP1006	J4SPG18R6
25	1"	J4SPG2106	20	90	4	8	16	1,7	KGJP1106	J4SPG21R6
32	1"1/4	J4SPG2107	29	90	4	8	14	3	KGJP1107	J4SPG21R7
40	1"1/2	J4SPG2108	46	90	4	8	11	3,4	KGJP1108	J4SPG21R8
40	1"1/2	J4SPG2308	46,5	110	4	8	16	4	KGJP1108	J4SPG23R8
50	2"	J4SPG2309	67	110	4	8	10	5,8	KGJP1109	J4SPG23R9

Il kit testa di ricambio comprende tutto l'articolo meno il corpo valvola.
The "piloting head replacement Kit" includes the complete item without the valve body only.

Il kit otturatore di ricambio comprende l'otturatore e le guarnizioni necessarie.
The shutter "replacement Kit" includes the shutter and the necessary seals.

Per la testa Ø40 non è disponibile la basetta Namur cod. KBNJ0001.
For actuator Ø40 namur plate KBNJ0001 is not available.

CON INGRESSO DEL FLUIDO SOPRA L'OTTURATORE WITH THE FLOW FROM ABOVE THE PLUG

Nei diagrammi le linee tratteggiate indicano le versioni disponibili a richiesta. In the diagrams, the dash lines indicate versions available on request.



ARES - ATENA

N.C. Normalmente Chiusa con ingresso sopra l'otturatore

N.C. Normally Closed with the flow from above the plug

DN [mm]	Filettatura Threading	CODICE CODE CF8M	Kv m ³ /h	Ø Testa comando Control head	P comando bar P control bar		P intercettata P operating ΔP max. bar	Peso Weight Kg.	KIT OTTURATORE DI RICAMBIO PLUG SPARE KIT	KIT TESTA DI RICAMBIO HEAD SPARE KIT
					Min	Max				
15	3/8"	J4CPG1403	4,5	40 (ATENA)	2,5	10	diagram n° 5	1	KGJP1303	J4CPG14R3
15	3/8"	J4CPG1603	4,9	50	1,8	10	diagram n° 5	1	KGJP1003	J4CPG16R3
15	1/2"	J4CPG1404	5,3	40 (ATENA)	2,5	10	diagram n° 5	1	KGJP1303	J4CPG14R4
15	1/2"	J4CPG1604	5,7	50	1,8	10	diagram n° 5	1	KGJP1003	J4CPG16R4
20	3/4"	J4CPG1405	9,2	40 (ATENA)	2,5	10	diagram n° 5	1,2	KGJP1305	J4CPG14R5
20	3/4"	J4CPG1605	10,5	50	1,8	10	diagram n° 5	1,2	KGJP1005	J4CPG16R5
25	1"	J4CPG1806	20	63	1,8	10	diagram n° 6	1,6	KGJP1006	J4CPG18R6
32	1 1/4"	J4CPG2107	29	90	1,8	8	diagram n° 7	3	KGJP1107	J4CPG21R7
40	1 1/2"	J4CPG2108	46	90	1,8	8	diagram n° 7	3,7	KGJP1108	J4CPG21R8
40	1 1/2"	J4CPG2308	46,5	110	1,8	8	diagram n° 8	4,6	KGJP1108	J4CPG23R8
50	2"	J4CPG2109	59	90	1,8	8	diagram n° 7	4,4	KGJP1109	J4CPG21R9
50	2"	J4CPG2309	67	110	1,8	8	diagram n° 8	5,6	KGJP1109	J4CPG23R9

Il kit testa di ricambio comprende tutto l'articolo meno il corpo valvola.

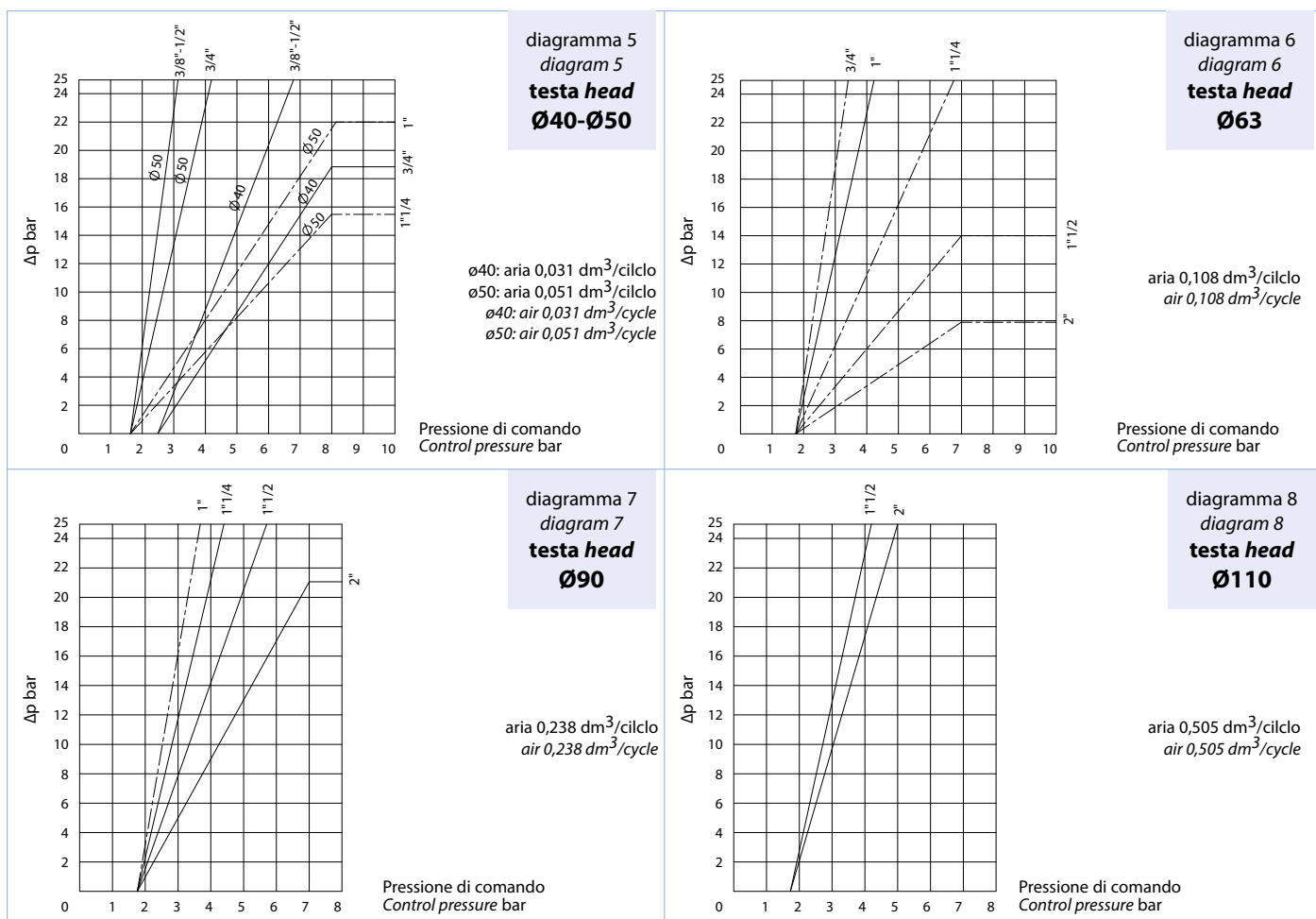
The "piloting head replacement Kit" includes the complete item without the valve body only.

Il kit otturatore di ricambio comprende l'otturatore e le guarnizioni necessarie.

The shutter "replacement Kit" includes the shutter and the necessary seals.

Per la testa Ø40 non è disponibile la basetta Namur cod. KBNJ0001.

For actuator Ø40 namur plate KBNJ0001 is not available.



Nei diagrammi le linee tratteggiate indicano le versioni disponibili a richiesta.

In the diagrams, the dash lines indicate versions available on request.

**ARES****N.A. Normalmente Aperta con ingresso sotto l'otturatore****N.O. Normally Open with flow from below the plug**

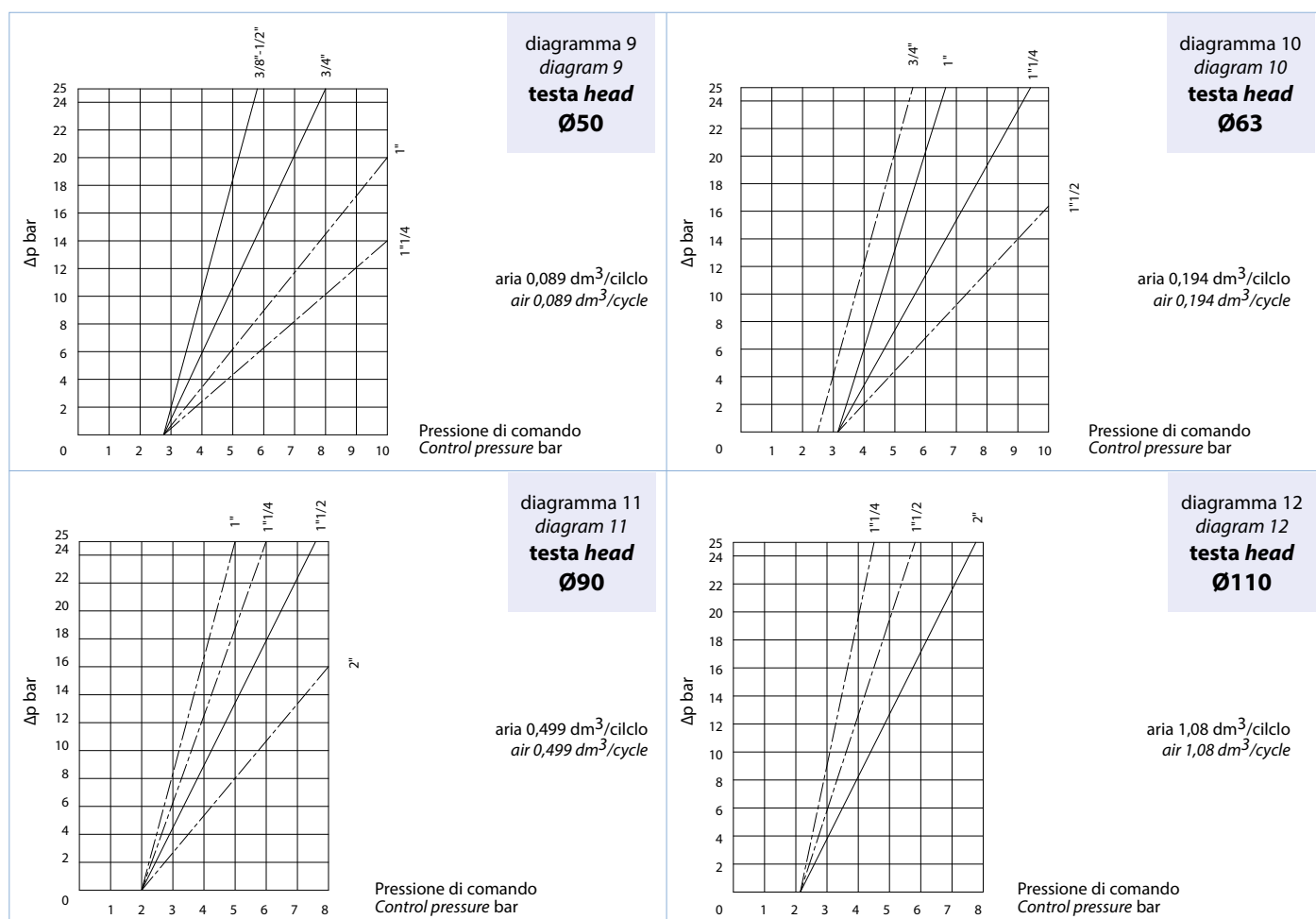
DN [mm]	Filettatura Threading	CODICE CODE CF8M	Kv m ³ /h	Ø Testa comando Ø Control head	P comando bar		P intercettata P operating ΔP max. bar	Peso Weight Kg.	KIT OTTURATORE DI RICAMBIO PLUG SPARE KIT	KIT TESTA DI RICAMBIO HEAD SPARE KIT
					P control bar Min	Max				
15	3/8"	J4APG1603	4,9	50	2,8	10	diagram n° 9	1	KGJP1003	J4APG16R3
15	1/2"	J4APG1604	5,7	50	2,8	10	diagram n° 9	1	KGJP1003	J4APG16R4
20	3/4"	J4APG1605	10,5	50	2,8	10	diagram n° 9	1,2	KGJP1005	J4APG16R5
25	1"	J4APG1806	20	63	3,2	10	diagram n° 10	1,6	KGJP1006	J4APG18R6
32	1 1/4"	J4APG1807	28,5	63	3,2	10	diagram n° 10	2	KGJP1007	J4APG18R7
40	1 1/2"	J4APG2108	46	90	2	8	diagram n° 11	3,7	KGJP1108	J4APG21R8
50	2"	J4APG2309	67	110	2,2	8	diagram n° 12	5,6	KGJP1109	J4APG23R9

Il kit testa di ricambio comprende tutto l'articolo meno il corpo valvola.

The "piloting head replacement Kit" includes the complete item without the valve body only.

Il kit otturatore di ricambio comprende l'otturatore e le guarnizioni necessarie.

The shutter "replacement Kit" includes the shutter and the necessary seals.





ARES

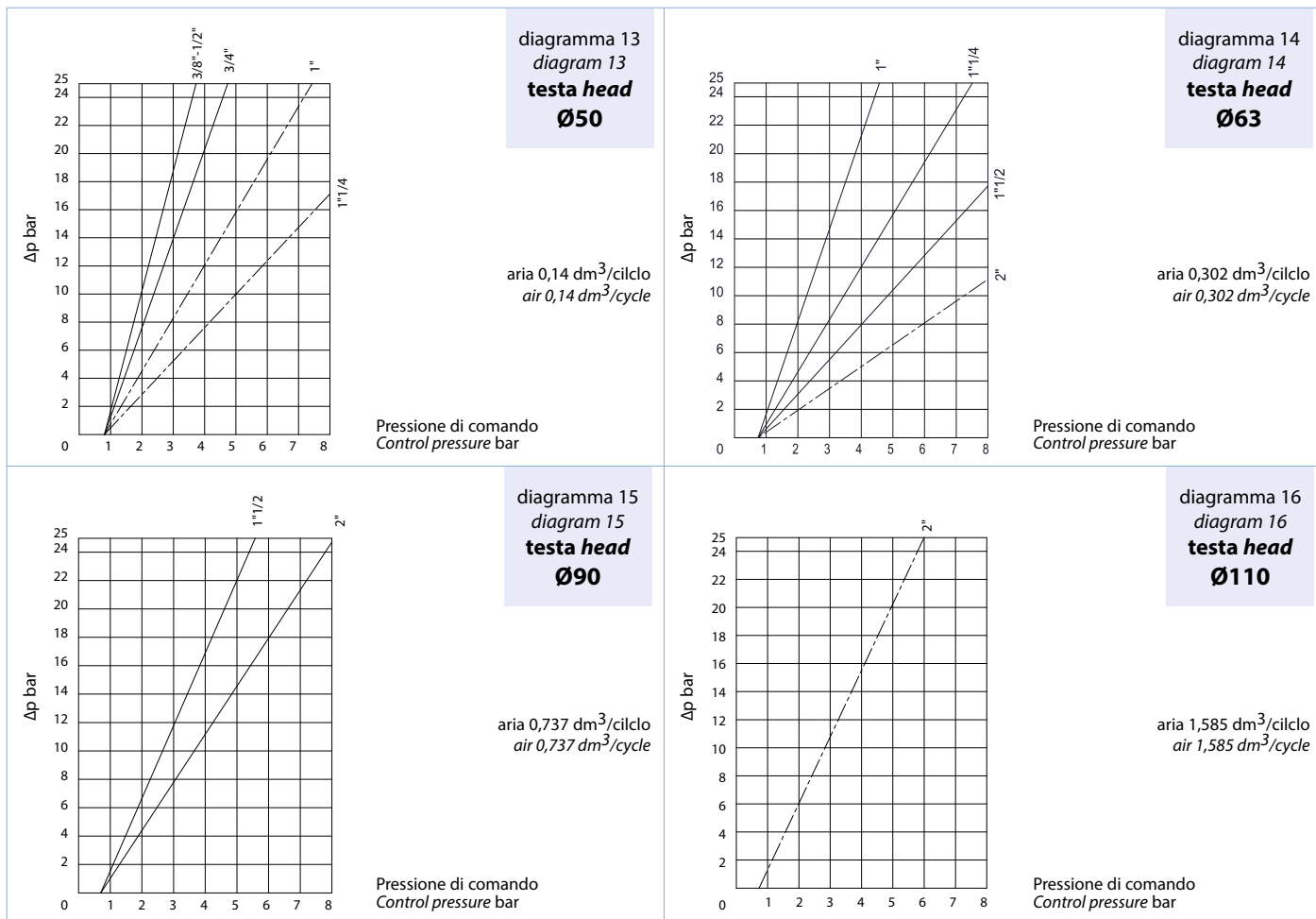
Doppio effetto bidirezionale

Double acting bidirectional

DN [mm]	Filettatura Threading	CODICE CODE CF8M	Kv m ³ /h	Ø Testa comando Ø Control head	P comando bar P control bar Min Max	P intercettata P operating ΔP max. bar	Peso Weight Kg.	KIT OTTURATORE DI RICAMBIO PLUG SPARE KIT	KIT TESTA DI RICAMBIO HEAD SPARE KIT
15	3/8"	J4DPG1603	4,9	50	0,8 8	diagram n° 13	1	KGJP1003	J4DPG16R3
15	1/2"	J4DPG1604	5,7	50	0,8 8	diagram n° 13	1	KGJP1003	J4DPG16R4
20	3/4"	J4DPG1605	10,5	50	0,8 8	diagram n° 13	1,2	KGJP1005	J4DPG16R5
25	1"	J4DPG1806	20	63	0,8 8	diagram n° 14	1,6	KGJP1006	J4DPG18R6
32	1 1/4"	J4DPG1807	28,5	63	0,8 8	diagram n° 14	1,9	KGJP1007	J4DPG18R7
40	1 1/2"	J4DPG1808	35	63	0,8 8	diagram n° 14	2,3	KGJP1008	J4DPG18R8
40	1 1/2"	J4DPG2108	46	90	0,8 8	diagram n° 15	3,6	KGJP1108	J4DPG21R8
50	2"	J4DPG2109	59	90	0,8 8	diagram n° 15	4,3	KGJP1009	J4DPG21R9

Il kit testa di ricambio comprende tutto l'articolo meno il corpo valvola.
 The "piloting head replacement Kit" includes the complete item without the valve body only.

Il kit otturatore di ricambio comprende l'otturatore e le guarnizioni necessarie.
 The shutter "replacement Kit" includes the shutter and the necessary seals.

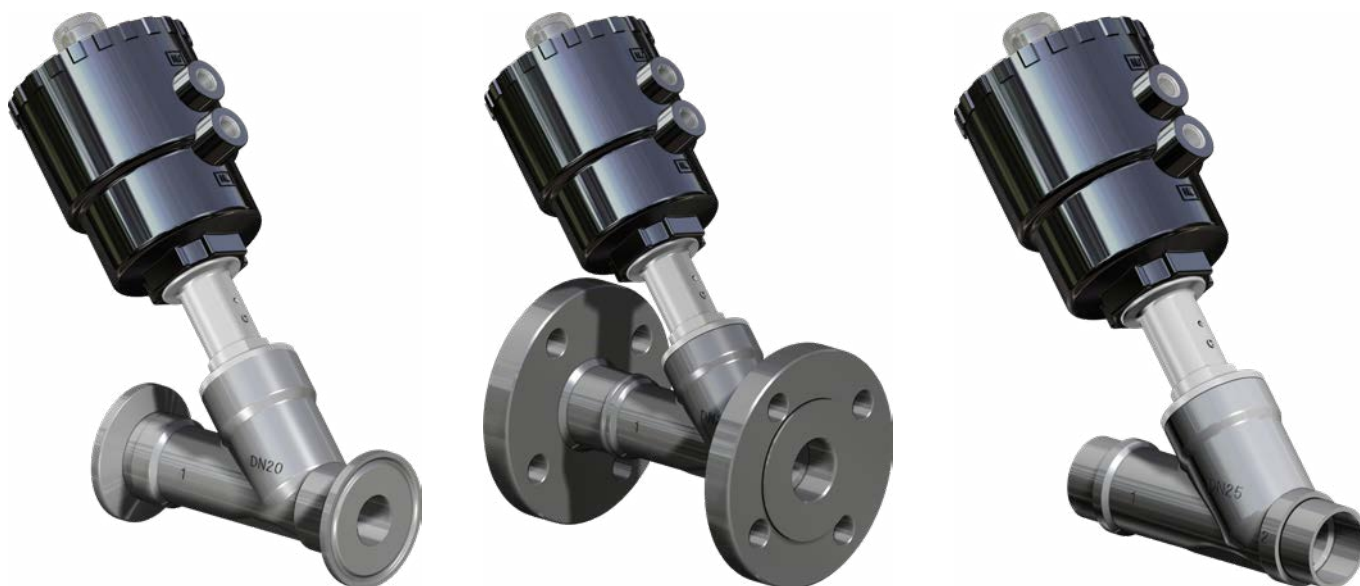


Nei diagrammi le linee tratteggiate indicano le versioni disponibili a richiesta. In the diagrams, the dash lines indicate versions available on request.



ARES CON ATTACCHI SPECIALI

ARES WITH SPECIAL ENDS



CARATTERISTICHE GENERALI

- Materiale del corpo valvola: A351-CF3M (316L S.S.).
- Attacchi valvola: Vedi schema di codifica.
- Montaggio in ogni posizione: orizzontale, verticale, obliqua.
- Gamma disponibile da DN 15 a DN 50 nelle versioni doppio effetto; semplice effetto: normalmente chiusa, normalmente chiusa anticolo d'ariete e normalmente aperta.
- Le prestazioni e i diagrammi delle pressioni sono le medesime delle versioni standard ma limitate a PN16.
- A richiesta: versioni per vuoto e per uso ossigeno.
- Configurazione ATEX 2014/34/UE da richiedere in fase d'ordine.

GENERAL FEATURES

- Body valve material: A351-CF3M (316L S.S.).
- Valve ends: see code plan.
- Assembling is possible in all positions: upright, flat or angled.
- Range available from DN 15 to DN 50 in the Double Acting versions, Spring Return N.C. from above and below the plug, Spring Return N.O. from below the plug.
- The performance and the pressure's diagrams are the same as per Standard versions but limited at PN16.
- On request: versions for vacuum and oxygen service.
- 2014/34/EU ATEX configuration to request at time of order.

FLUIDO DI COMANDO

- Fluido di pilotaggio: aria compressa lubrificata o secca, gas e fluidi neutri.
- Temperatura ambiente: da -10°C a +60°C.

FLUIDO INTERCETTATO

- Aria, acqua, alcool, olii, carburanti, soluzioni saline, vapore, ecc. (comunque compatibili con CF3M (316L S.S.) e PTFE).
- Pressione di utilizzo da 0 a 16 bar (vapore a 180°C da 0 a 10 bar) in funzione della misura e della versione scelta vedi pagine seguenti.
- Temperatura da -10°C a +180°C.
- Viscosità massima 600 cst (mm²/s).

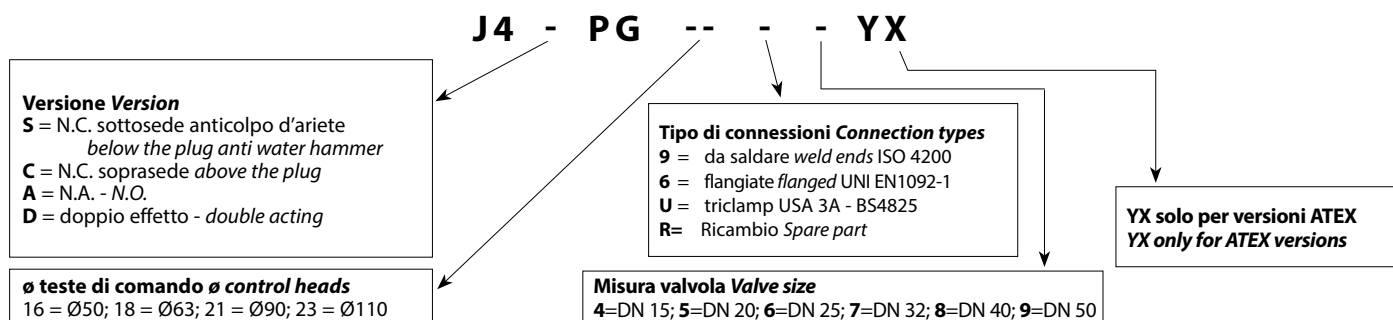
CONTROL MEDIA

- Driving media: compressed air, lubricated or dry, gas or neutral media.
- Ambient temperature: -10°C to +60°C.

OPERATING MEDIA

- Air, water, alcohol, oil, petroleum products, saline solutions, steam, etc. (as long as compatible with CF3M (316L S.S.) or PTFE).
- Pressure from 0 to 16 bar (steam from 180°C, from 0 to 10 bar) depending on the size and model chosen see following pages.
- Temperature from -10°C to 180°C.
- Max. viscosity 600 cst (mm²/s).

SCHEMA DI CODIFICA VALVOLE ARES ARES VALVES CODE PLAN



Per versioni con teste di comando differenti dallo standard contattare l'ufficio commerciale OMAL.
For versions with control head different from standard executions, please contact our sales department



ARES FLANGIATA UNI EN 1092-1

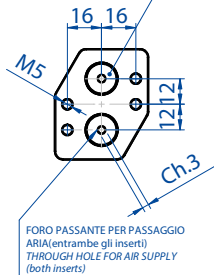
FLANGED UNI EN 1092-1

Testa di comando orientabile a 360°
Control head adjustable at 360°

Ruotare in senso orario
Clockwise rotation

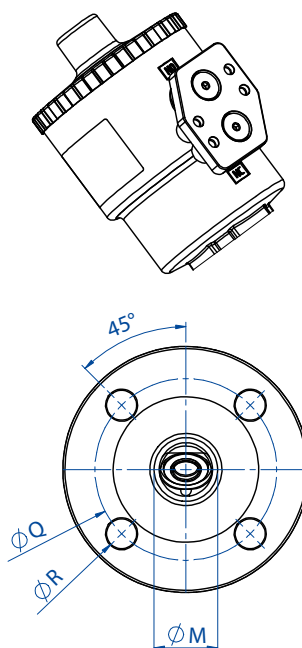
N°2 INSERTI FILETTATI DA G 1/8" PER LO STAFFAGGIO
DELL'INTERFACCIA EN 15714-3 (NAMUR) ALLA TESTA DI COMANDO
N°2 THREADED INSERTS G 1/8" FOR CLAMPING
THE INTERFACE EN 15714-3 (NAMUR) TO THE CONTROL HEAD

OPTIONAL



Esempio dell'interfaccia EN 15714-3 (Namur) assemblata alla testa di comando
Disponibile A RICHIESTA nel caso di pilotaggio di elettrovalvola NAMUR
Codice: KBNJ0001

Example of NAMUR plate EN 15714-3 to be assembled on the control head
Available ON REQUEST once NAMUR Solenoid valve should be needed
Code: KBNJ0001



A richiesta versioni:
flangiate ASME 150 RF;
flangiate ridotte

On request versions:
flanges according to ASME 150 RF;
reduced flanges

VALVOLA FLANGIATA ANSI 150RF SCART.ASME B16.10 A1 ANSI 150RF FLANGED VALVE FACE TO FACE ASME B16.10 A1							
DN [mm]	H	L	øN	øP	øQ	øR	F
15	11,3	9,7	35,1	89,0	60,5	16,0	108,0
20	12,8	11,2	42,9	99,0	69,8	16,0	117,0
25	15,0	13,4	50,8	108,0	79,2	16,0	127,0
32	15,8	14,2	63,5	117,0	88,9	16,0	140,0
40	18,0	16,4	73,0	127,0	98,6	16,0	165,0
50	19,1	17,5	91,9	152,0	120,6	19,0	178,0

VALVOLA FLANGIATA RIDOTTA REDUCED FLANGES VALVES					
DN [mm]	H	øP	øQ	øR	F
15	7,0	70,0	50,0	7,0	104,5
20	8,0	75,0	55,0	9,0	119,5
25	9,0	80,0	60,0	9,0	134,5
32	9,0	90,0	70,0	9,0	149,5
40	10,0	100,0	80,0	9,0	164,5
50	10,0	110,0	90,0	11,0	179,5

DIMENSIONI DIMENSIONS														
DN [mm]	Testa di comando Control head	A	B	C	D	øE	F	H	L	øM	øN	øP	øQ	øR
15	Ø 50	182,5	156	203,5	44	70	130	16	14	18,1	45	95	65	14
20	Ø 50	192,3	160	212,5	44	70	150	18	16	23,7	58	105	75	14
20	Ø 63	210,3	178	230,5	50,5	84,4	150	18	16	23,7	58	105	75	14
25	Ø 50	197,36	164	221,5	44	70	160	18	16	29,7	68	115	85	14
25	Ø 63	216,36	182	239,5	50,5	84,4	160	18	16	29,7	68	115	85	14
25	Ø 90	256,36	222	279,5	66,2	116,4	160	18	16	29,7	68	115	85	14
32	Ø 50	202,5	168	238	44	70	180	18	16	38,4	78	140	100	18
32	Ø 63	220,5	186	256	50,5	84,4	180	18	16	38,4	78	140	100	18
32	Ø 90	260,5	226	296	66,2	116,4	180	18	16	38,4	78	140	100	18
32	Ø 110	296,5	261	331	77,4	140,6	180	18	16	38,4	78	140	100	18
40	Ø 63	228,6	190	265	50,5	84,4	200	18	15	44,3	88	150	110	18
40	Ø 90	268,6	230	305	66,2	116,4	200	18	15	44,3	88	150	110	18
40	Ø 110	304,2	266	341	77,4	140,6	200	18	15	44,3	88	150	110	18
50	Ø 63	241,87	200	282,5	50,5	84,4	230	18	15	55,7	102	165	125	18
50	Ø 90	281,87	240	322,5	66,2	116,4	230	18	15	55,7	102	165	125	18
50	Ø 110	317,87	276	358,5	77,4	140,6	230	18	15	55,7	102	165	125	18

In neretto gli accoppiamenti consigliati. Altre combinazioni a richiesta. Suggested executions are in bold. Other combinations on request.



ARES FLANGIATA *FLANGED*

N.C. Normalmente Chiusa bidirezionale (Con ingresso sotto l'otturatore si evita il colpo d'ariete).

N.C. Normally Closed bidirectional (With the flow coming from below the plug you avoid water hammering).

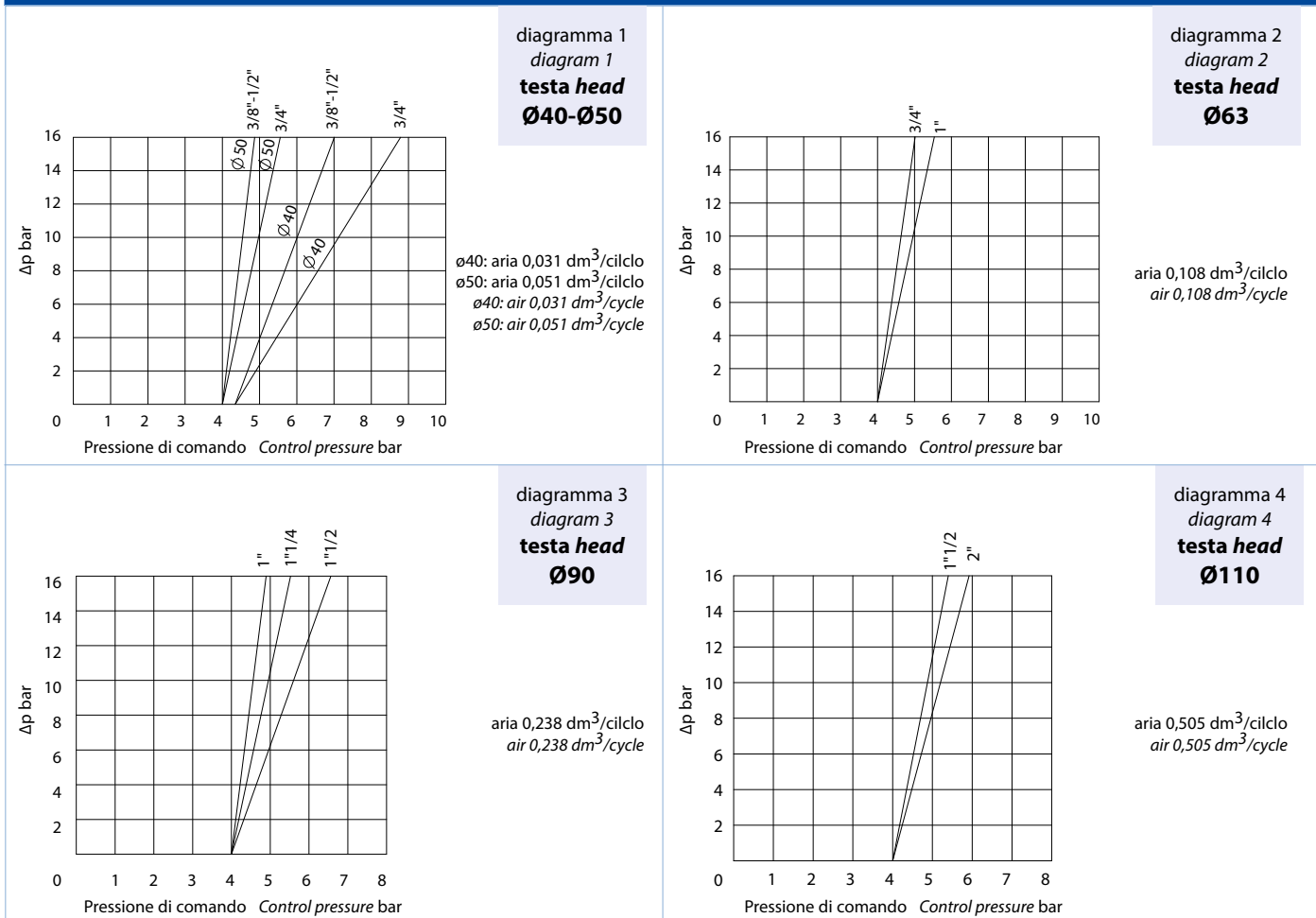
CON INGRESSO DEL FLUIDO SOTTO L'OTTURATORE *WITH THE FLOW FROM BELOW THE PLUG*

DN [mm]	CODICE CODE CF3M	Kv m ³ /h	Ø Testa comando Ø Control head	P comando bar P control bar		P intercettata P operating ΔP max. bar	Peso Weight Kg.	KIT OTTURATORE DI RICAMBIO PLUG SPARE KIT	KIT TESTA DI RICAMBIO HEAD SPARE KIT
				Min	Max				
15	J4SPG1664	5,7	50	4	10	16	2,4	KGJP1003	J4SPG16R4
20	J4SPG1665	10,5	50	4	10	10	3,2	KGJP1005	J4SPG16R5
20	J4SPG1865	10,8	63	4	10	16	3,1	KGJP1005	J4SPG18R5
25	J4SPG1866	20	63	4	10	11	3,8	KGJP1006	J4SPG18R6
25	J4SPG2166	20	90	4	8	16	3,9	KGJP1106	J4SPG21R6
32	J4SPG2167	29	90	4	8	14	6,6	KGJP1107	J4SPG21R7
40	J4SPG2168	46	90	4	8	11	7,5	KGJP1108	J4SPG21R8
40	J4SPG2368	46,5	110	4	8	16	8,1	KGJP1108	J4SPG23R8
50	J4SPG2369	67	110	4	8	10	11,2	KGJP1109	J4SPG23R9

Il kit testa di ricambio comprende tutto l'articolo meno il corpo valvola.
The "piloting head replacement Kit" includes the complete item without the valve body only.

Il kit otturatore di ricambio comprende l'otturatore e le guarnizioni necessarie.
The shutter "replacement Kit" includes the shutter and the necessary seals.

CON INGRESSO DEL FLUIDO SOPRA L'OTTURATORE *WITH THE FLOW FROM ABOVE THE PLUG*



Nei diagrammi le linee tratteggiate indicano le versioni disponibili a richiesta. *In the diagrams, the dash lines indicate versions available on request.*



ARES FLANGIATA *FLANGED*

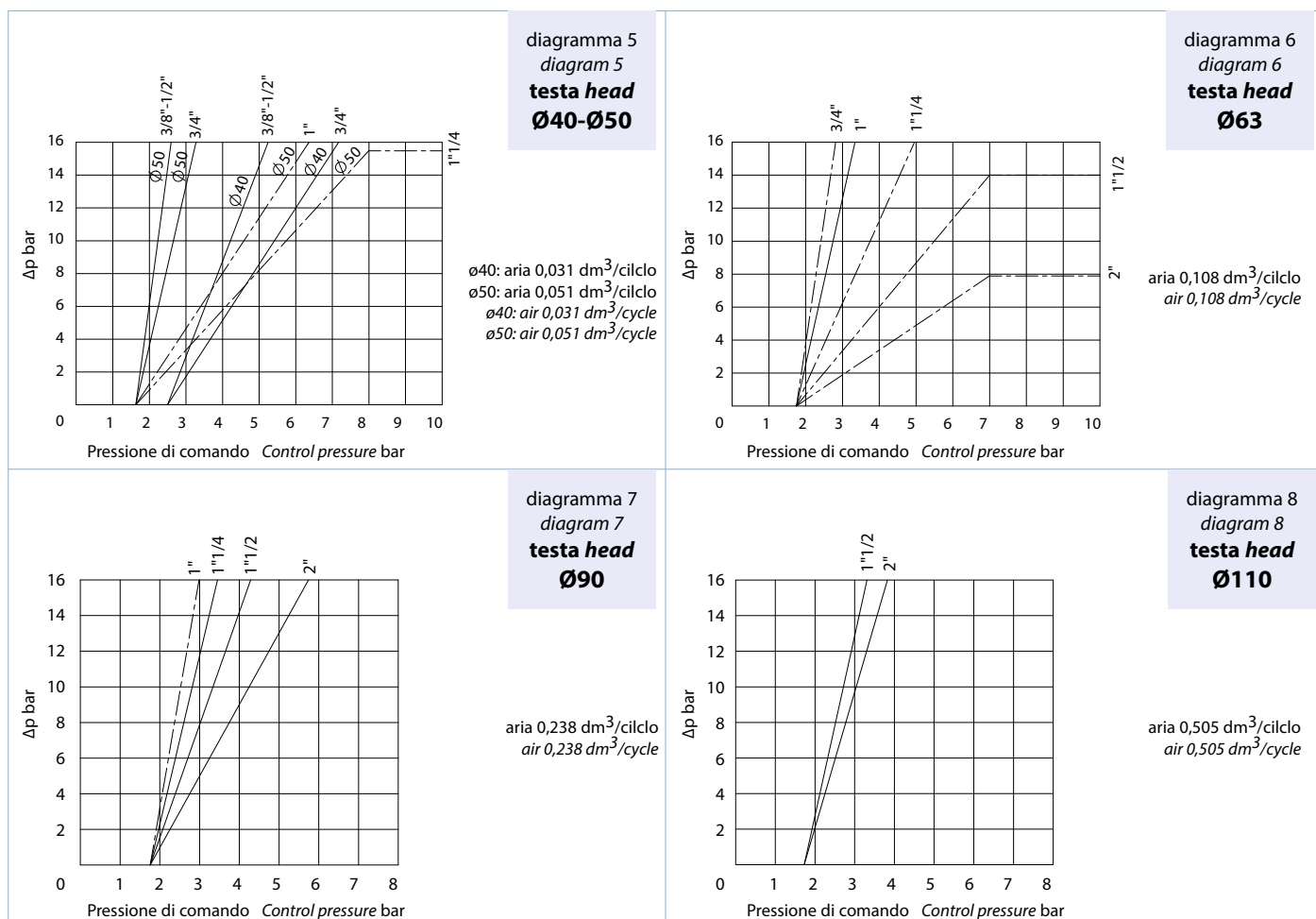
N.C. Normalmente Chiusa con ingresso sopra l'otturatore.

N.C. Normally Closed with the flow from above the plug.

DN [mm]	CODICE CODE CF3M	Kv m ³ /h	Ø Testa comando Ø Control head	P comando bar P control bar		P intercettata P operating ΔP max. bar	Peso Weight Kg.	KIT OTTURATORE DI RICAMBIO PLUG SPARE KIT	KIT TESTA DI RICAMBIO HEAD SPARE KIT
				Min	Max				
15	J4CPG1664	5,7	50	1,8	10	diagram n° 5	1	KGJP1003	J4CPG16R4
20	J4CPG1665	10,5	50	1,8	10	diagram n° 5	1,2	KGJP1005	J4CPG16R5
25	J4CPG1866	20	63	1,8	10	diagram n° 6	1,6	KGJP1006	J4CPG18R6
32	J4CPG2167	29	90	1,8	8	diagram n° 7	3	KGJP1107	J4CPG21R7
40	J4CPG2168	46	90	1,8	8	diagram n° 7	3,7	KGJP1108	J4CPG21R8
50	J4CPG2169	59	90	1,8	8	diagram n° 7	4,4	KGJP1109	J4CPG21R9
40	J4CPG2368	46,5	110	1,8	8	diagram n° 8	4,6	KGJP1108	J4CPG23R8
50	J4CPG2369	67	110	1,8	8	diagram n° 8	5,6	KGJP1109	J4CPG23R9

Il kit testa di ricambio comprende tutto l'articolo meno il corpo valvola.
The "piloting head replacement Kit" includes the complete item without the valve body only.

Il kit otturatore di ricambio comprende l'otturatore e le guarnizioni necessarie.
The shutter "replacement Kit" includes the shutter and the necessary seals.



Nei diagrammi le linee tratteggiate indicano le versioni disponibili a richiesta. In the diagrams, the dash lines indicate versions available on request.



ARES FLANGIATA *FLANGED*

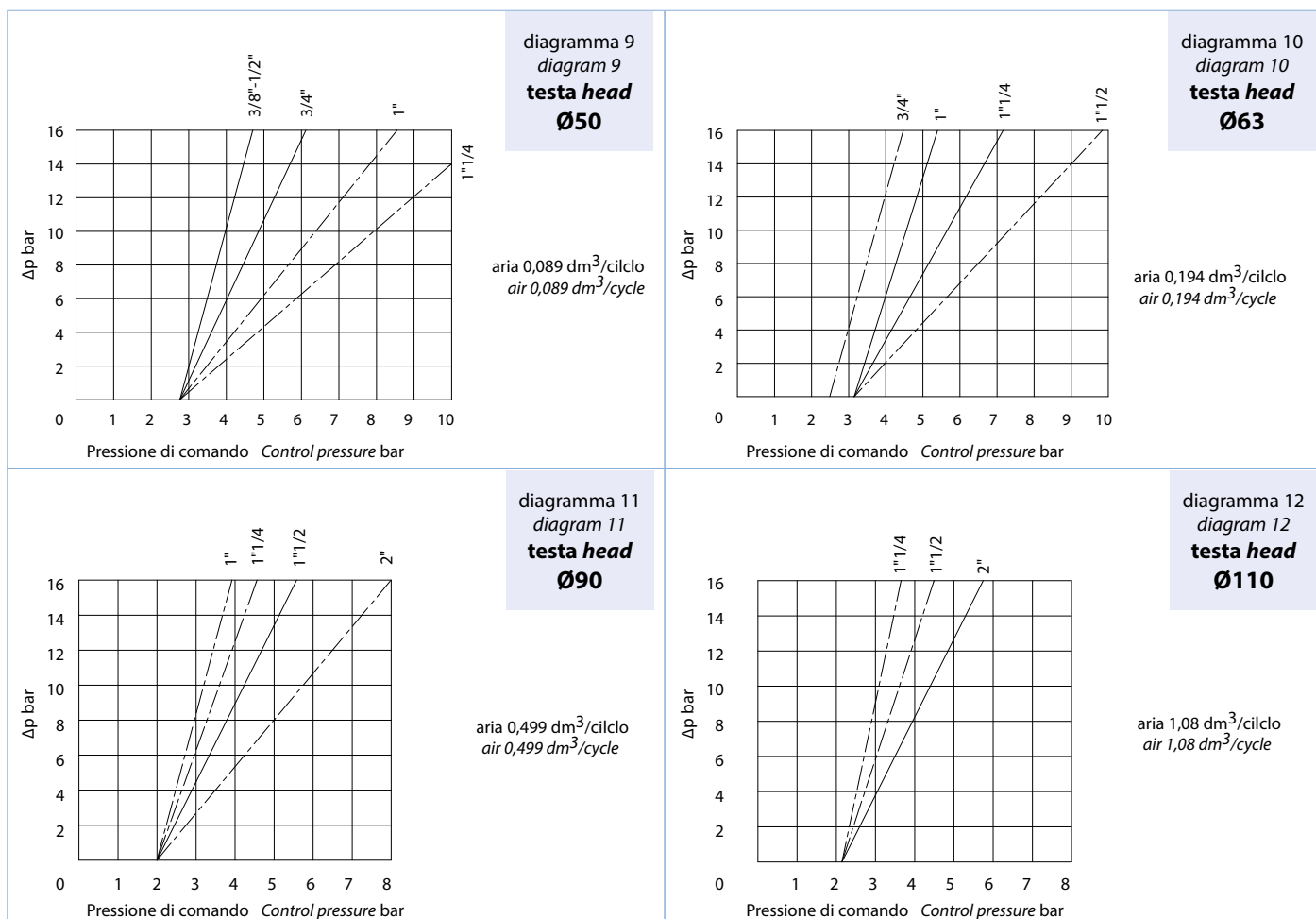
N.A. Normalmente Aperta con ingresso sotto l'otturatore.

N.O. Normally Open with flow from below the plug.

DN [mm]	CODICE CODE CF3M	Kv m ³ /h	Ø Testa comando Ø Control head	P comando bar P control bar		P intercettata P operating ΔP max. bar	Peso Weight Kg.	KIT OTTURATORE DI RICAMBIO PLUG SPARE KIT	KIT TESTA DI RICAMBIO HEAD SPARE KIT
				Min	Max				
15	J4APG1664	5,7	50	2,8	10	diagram n° 9	2,4	KGJP1003	J4APG16R4
20	J4APG1665	10,5	50	2,8	10	diagram n° 9	3,1	KGJP1005	J4APG16R5
25	J4APG1866	20	63	3,2	10	diagram n° 10	3,8	KGJP1006	J4APG18R6
32	J4APG1867	28,5	63	3,2	10	diagram n° 10	5,5	KGJP1007	J4APG18R7
40	J4APG2168	46	90	2	8	diagram n° 11	7,5	KGJP1108	J4APG21R8
50	J4APG2369	67	110	2,2	8	diagram n° 12	11,2	KGJP1109	J4APG23R9

Il kit testa di ricambio comprende tutto l'articolo meno il corpo valvola.
The "piloting head replacement Kit" includes the complete item without the valve body only.

Il kit otturatore di ricambio comprende l'otturatore e le guarnizioni necessarie.
The shutter "replacement Kit" includes the shutter and the necessary seals.



Nei diagrammi le linee tratteggiate indicano le versioni disponibili a richiesta. *In the diagrams, the dash lines indicate versions available on request.*



ARES FLANGIATA *FLANGED*

Doppio effetto bidirezionale.

Double Acting bidirectional.

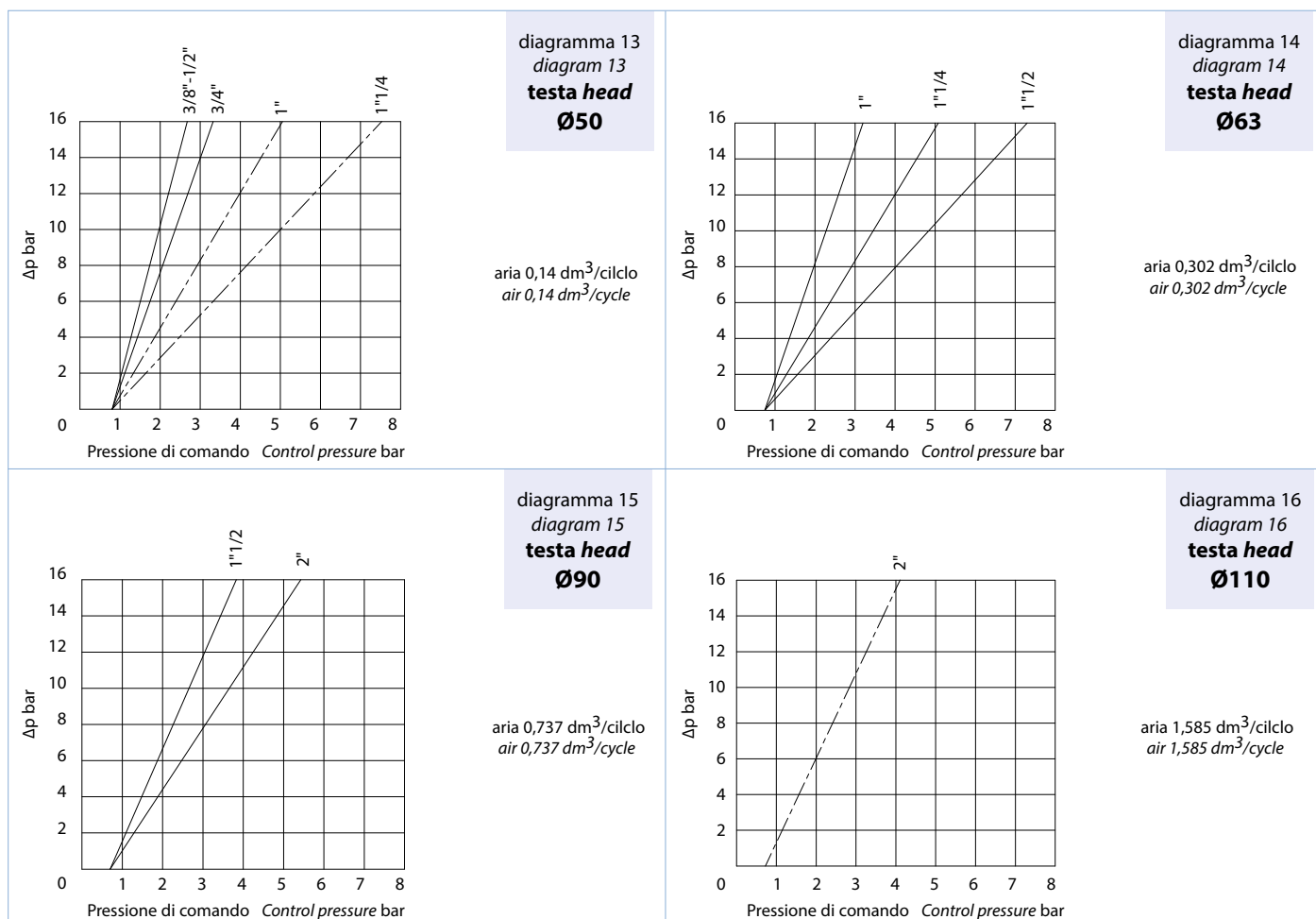
DN [mm]	CODICE CODE CF3M	Kv m ³ /h	Ø Testa comando Ø Control head	P comando bar P control bar		P intercettata P operating ΔP max. bar	Peso Weight Kg.	KIT OTTURATORE DI RICAMBIO PLUG SPARE KIT	KIT TESTA DI RICAM- BIO HEAD SPARE KIT
				Min	Max				
15	J4DPG1664	5,7	50	0,8	8	diagram n° 13	2,4	KGJP1003	J4DPG16R4
20	J4DPG1665	10,5	50	0,8	8	diagram n° 13	3,1	KGJP1005	J4DPG16R5
25	J4DPG1866	20	63	0,8	8	diagram n° 14	3,8	KGJP1006	J4DPG18R6
32	J4DPG1867	28,5	63	0,8	8	diagram n° 14	5,5	KGJP1007	J4DPG18R7
40	J4DPG1868	35	63	0,8	8	diagram n° 14	6,3	KGJP1008	J4DPG18R8
40	J4DPG2168	46	90	0,8	8	diagram n° 15	7,5	KGJP1108	J4DPG21R8
50	J4DPG2169	59	90	0,8	8	diagram n° 15	9,3	KGJP1009	J4DPG21R9

Il kit testa di ricambio comprende tutto l'articolo meno il corpo valvola.

The "piloting head replacement Kit" includes the complete item without the valve body only.

Il kit otturatore di ricambio comprende l'otturatore e le guarnizioni necessarie.

The shutter "replacement Kit" includes the shutter and the necessary seals.



Nei diagrammi le linee tratteggiate indicano le versioni disponibili a richiesta. *In the diagrams, the dash lines indicate versions available on request.*

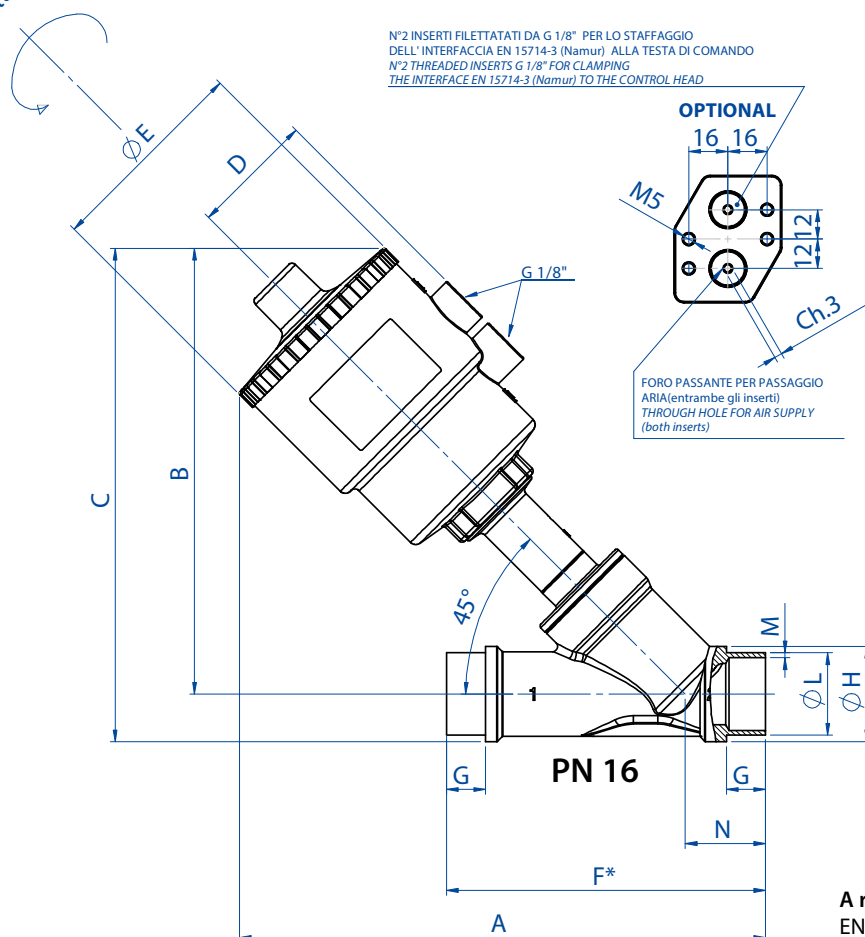


ARES DA SALDARE UNI ISO 4200

WELD ENDS UNI ISO 4200

Testa di comando orientabile a 360°
Control head adjustable at 360°

Ruotare in senso orario
Clockwise rotation



N°2 INSERTI FILETTATI DA G 1/8" PER LO STAFFAGGIO
DELL' INTERFACCIA EN 15714-3 (Namura) ALLA TESTA DI COMANDO
N°2 THREADED INSERTS G 1/8" FOR CLAMPING
THE INTERFACE EN 15714-3 (Namura) TO THE CONTROL HEAD

OPTIONAL

16 16

M5

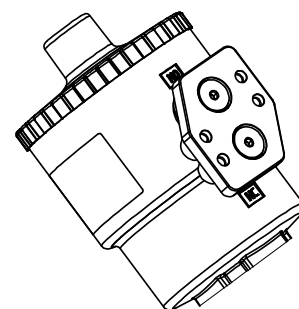
12 12

Ch.3

FORO PASSANTE PER PASSAGGIO
ARIA (entrambe gli inserti)
THROUGH HOLE FOR AIR SUPPLY
(both inserts)

Esempio dell'interfaccia EN 15714-3 (Namura)
assemblata alla testa di comando
**Disponibile A RICHIESTA nel caso di
pilotaggio di elettrovalvola NAMUR**
Codice: KBNJ0001

Example of NAMUR plate EN 15714-3
to be assembled on the control head
**Available ON REQUEST once
NAMUR Solenoid valve should be needed**
Code: KBNJ0001



A richiesta versioni:
EN 10357 serie A (ex DIN 11850 2) - ISO 2037

On request versions:
EN 10357 series A (ex DIN 11850 2) - ISO 2037

* esecuzioni speciali su richiesta e per quantità
* special version on request

		DIMENSIONI						DIMENSIONS					
DN [mm]	Testa di comando Control head	A	B	C	D	øE	F *	G	øH	øL	M	N	
15	Ø 50	180	156	170	44	70	100	12	26,3	21,3	1,6	26	
20	Ø 50	190	160	177	44	70	115	14	33	26,9	1,6	31	
20	Ø 63	208	178	195	50,5	84,4	115	14	33	26,9	1,6	31	
25	Ø 50	165	164	184	44	70	130	14	39	33,7	2	32,96	
25	Ø 63	214	182	202	50,5	84,4	130	14	39	33,7	2	32,96	
25	Ø 90	254	222	242	66,2	116,4	130	14	39	33,7	2	32,96	
32	Ø 50	200	168	193	44	70	145	14	49	42,4	2	34	
32	Ø 63	218	186	211	50,5	84,4	145	14	49	42,4	2	34	
32	Ø 90	258	226	251	66,2	116,4	145	14	49	42,4	2	34	
32	Ø 110	294	261	286	77,4	140,6	145	14	49	42,4	2	34	
40	Ø 63	226	190	218	50,5	84,4	160	14	55	48,3	2	37,6	
40	Ø 90	266	230	258	66,2	116,4	160	14	55	48,3	2	37,6	
40	Ø 110	302	266	294	77,4	140,6	160	14	55	48,3	2	37,6	
50	Ø 63	241	200	234	50,5	84,4	175	16	66,5	60,3	2,3	41,37	
50	Ø 90	281	240	274	66,2	116,4	175	16	66,5	60,3	2,3	41,37	
50	Ø 110	317	276	310	77,4	140,6	175	16	66,5	60,3	2,3	41,37	

In neretto gli accoppiamenti consigliati. Altre combinazioni a richiesta.
Suggested executions are in bold. Other combinations on request.



ARES DA SALDARE WELD ENDS

N.C. Normalmente Chiusa bidirezionale (Con ingresso sotto l'otturatore si evita il colpo d'ariete).

N.C. Normally Closed bidirectional (With the flow coming from below the plug you avoid water hammering).

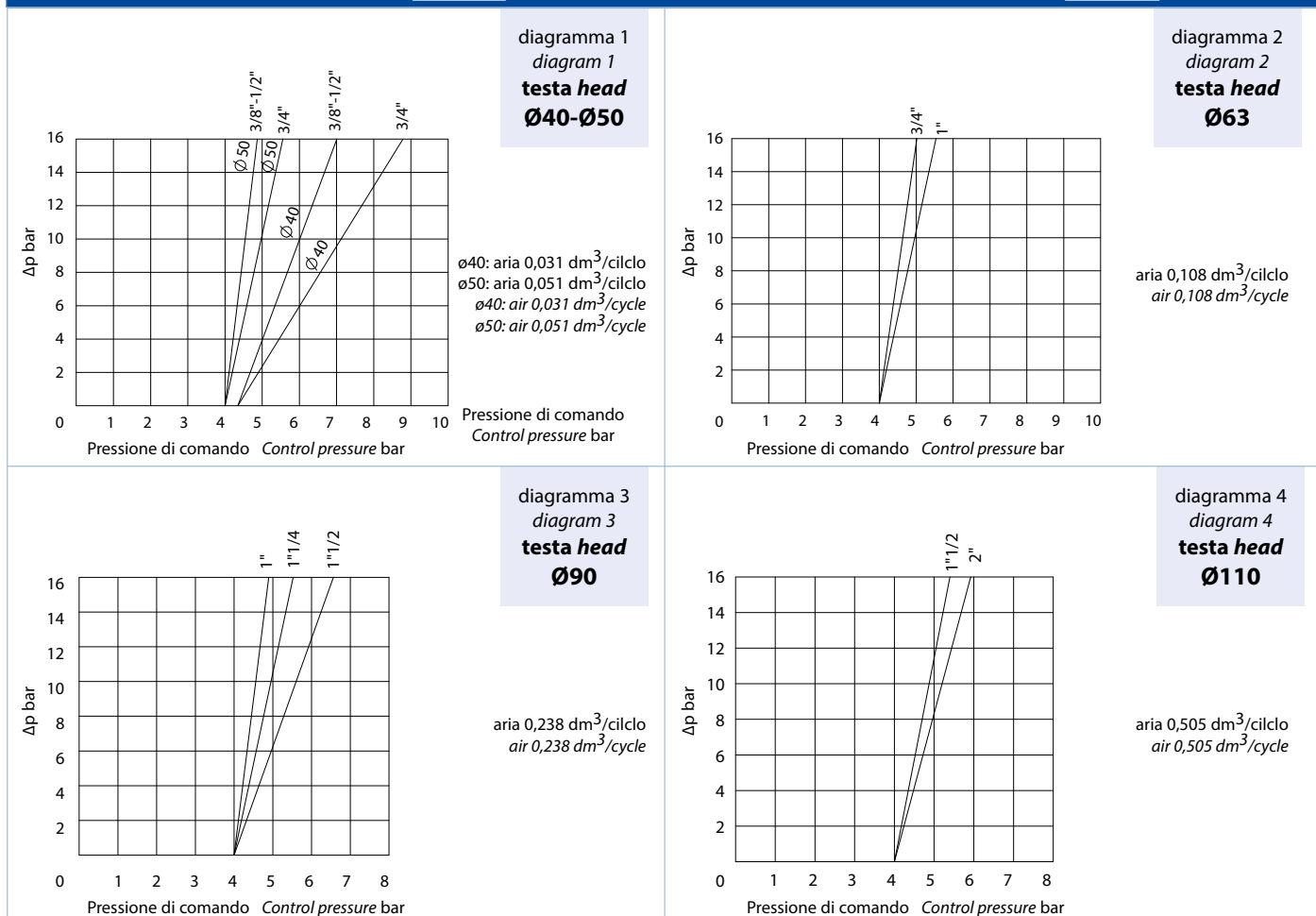
CON INGRESSO DEL FLUIDO SOTTO L'OTTURATORE WITH THE FLOW FROM BELOW THE PLUG

DN [mm]	CODICE CODE CF3M	Kv m ³ /h	Ø Testa comando Ø Control head	P comando bar P control bar		P intercettata P operating ΔP max. bar	Peso Weight Kg.	KIT OTTURATORE DI RICAMBIO PLUG SPARE KIT	KIT TESTA DI RICAMBIO HEAD SPARE KIT
				Min	Max				
15	J4SPG1694	5,7	50	4	10	16	1	KGJP1003	J4SPG16R4
20	J4SPG1695	10,5	50	4	10	10	1,2	KGJP1005	J4SPG16R5
20	J4SPG1895	10,8	63	4	10	16	1,2	KGJP1005	J4SPG18R5
25	J4SPG1896	20	63	4	10	11	1,6	KGJP1006	J4SPG18R6
25	J4SPG2196	20	90	4	8	16	1,7	KGJP1106	J4SPG21R6
32	J4SPG2197	29	90	4	8	14	3	KGJP1107	J4SPG21R7
40	J4SPG2198	46	90	4	8	11	3,4	KGJP1108	J4SPG21R8
40	J4SPG2398	46,5	110	4	8	16	4	KGJP1108	J4SPG23R8
50	J4SPG2399	67	110	4	8	10	5,8	KGJP1109	J4SPG23R9

Il kit testa di ricambio comprende tutto l'articolo meno il corpo valvola.

The "piloting head replacement Kit" includes the complete item without the valve body only.

CON INGRESSO DEL FLUIDO SOPRA L'OTTURATORE WITH THE FLOW FROM ABOVE THE PLUG



Nei diagrammi le linee tratteggiate indicano le versioni disponibili a richiesta. In the diagrams, the dash lines indicate versions available on request.



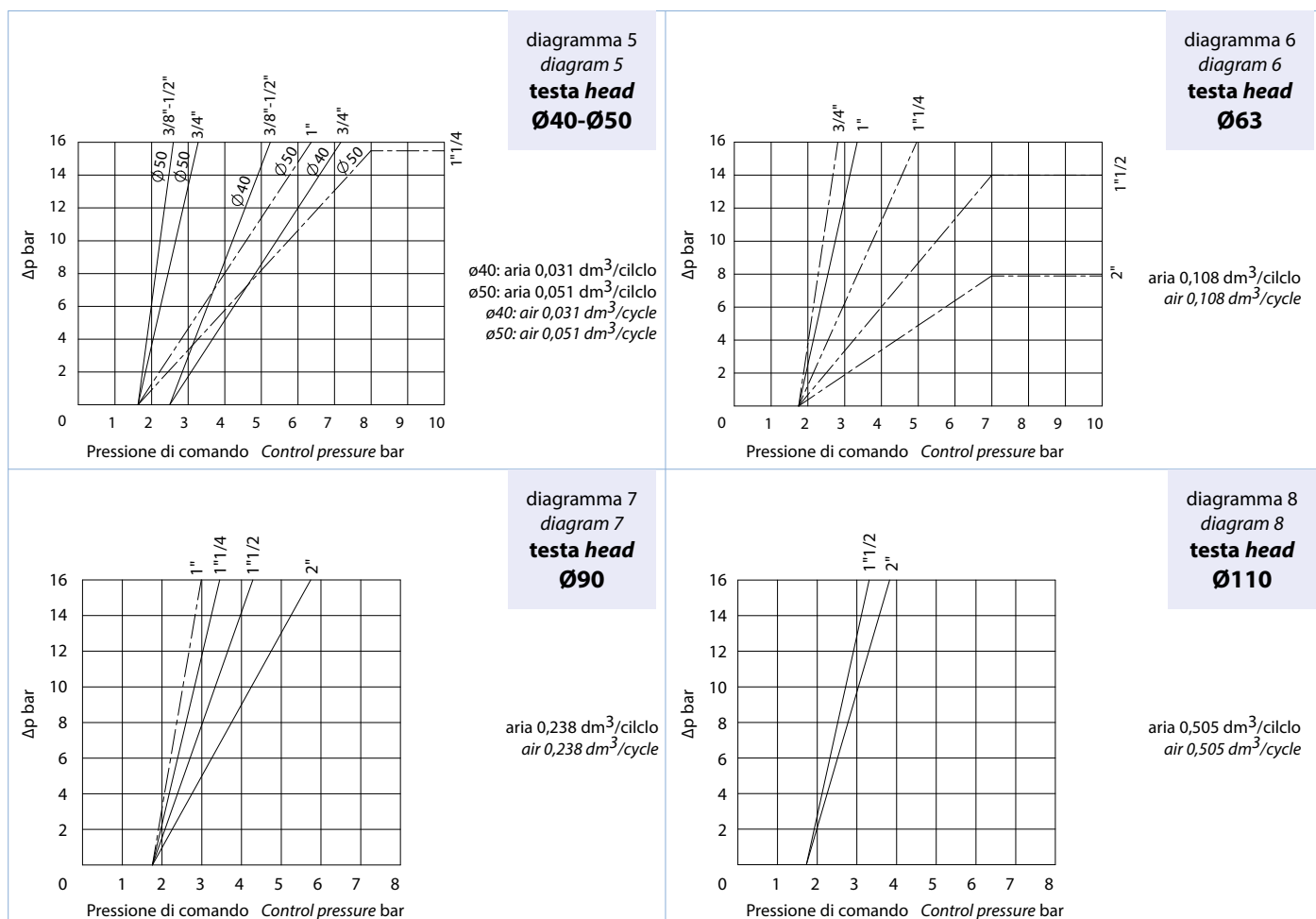
ARES DA SALDARE WELD ENDS

N.C. Normalmente Chiusa con ingresso sopra l'otturatore

N.C. Normally Closed with the flow from above the plug

DN [mm]	CODICE CODE CF3M	Kv m ³ /h	Ø Testa comando Ø Control head	P comando bar P control bar		P intercettata P operating ΔP max. bar	Peso Weight Kg.	KIT OTTURATORE DI RICAMBIO PLUG SPARE KIT	KIT TESTA DI RICAMBIO HEAD SPARE KIT
				Min	Max				
15	J4CPG1694	5,7	50	1,8	10	diagram n° 5	1	KGJP1003	J4CPG16R4
20	J4CPG1695	10,5	50	1,8	10	diagram n° 5	1,2	KGJP1005	J4CPG16R5
25	J4CPG1896	20	63	1,8	10	diagram n° 6	1,6	KGJP1006	J4CPG18R6
32	J4CPG2197	29	90	1,8	8	diagram n° 7	3	KGJP1107	J4CPG21R7
40	J4CPG2198	46	90	1,8	8	diagram n° 7	3,7	KGJP1108	J4CPG21R8
50	J4CPG2199	59	90	1,8	8	diagram n° 7	4,4	KGJP1109	J4CPG21R9
40	J4CPG2398	46,5	110	1,8	8	diagram n° 8	4,6	KGJP1108	J4CPG23R8
50	J4CPG2399	67	110	1,8	8	diagram n° 8	5,6	KGJP1109	J4CPG23R9

Il kit testa di ricambio comprende tutto l'articolo meno il corpo valvola.
The "piloting head replacement Kit" includes the complete item without the valve body only.



Nei diagrammi le linee tratteggiate indicano le versioni disponibili a richiesta. In the diagrams, the dash lines indicate versions available on request.



ARES DA SALDARE WELD ENDS

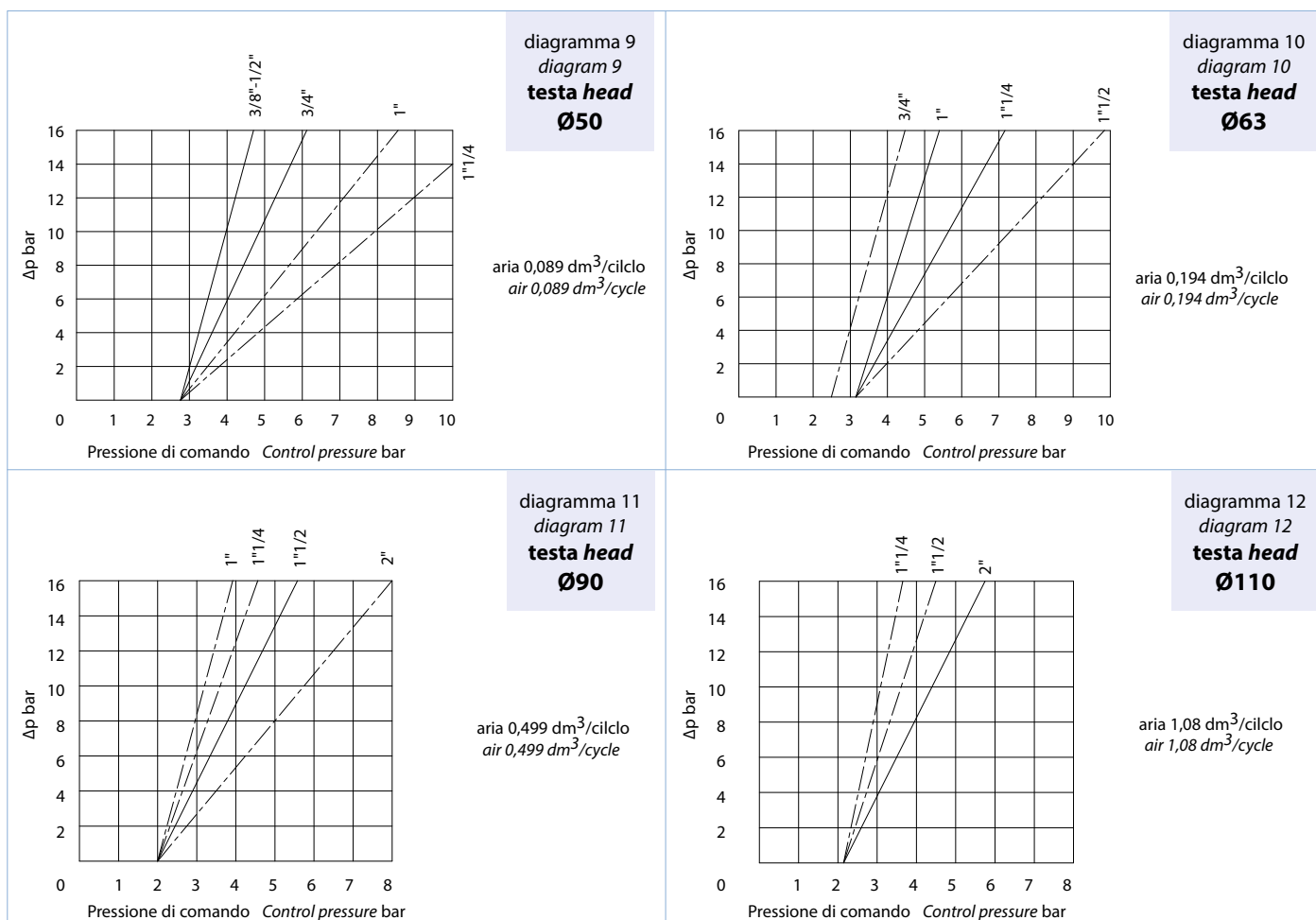
N.A. Normalmente Aperta con ingresso sotto l'otturatore

N.O. Normally Open with flow from below the plug

DN [mm]	CODICE CODE CF3M	Kv m ³ /h	Ø Testa comando Ø Control head	P comando bar P control bar		P intercettata P operating ΔP max. bar	Peso Weight Kg.	KIT OTTURATORE DI RICAMBIO PLUG SPARE KIT	KIT TESTA DI RICAMBIO HEAD SPARE KIT
				Min	Max				
15	J4APG1694	5,7	50	2,8	10	diagram n° 9	1	KGJP1003	J4APG16R4
20	J4APG1695	10,5	50	2,8	10	diagram n° 9	1,2	KGJP1005	J4APG16R5
25	J4APG1896	20	63	3,2	10	diagram n° 10	1,6	KGJP1006	J4APG18R6
32	J4APG1897	28,5	63	3,2	10	diagram n° 10	2	KGJP1007	J4APG18R7
40	J4APG2198	46	90	2	8	diagram n° 11	3,7	KGJP1108	J4APG21R8
50	J4APG2399	67	110	2,2	8	diagram n° 12	5,6	KGJP1109	J4APG23R9

Il kit testa di ricambio comprende tutto l'articolo meno il corpo valvola.

The "piloting head replacement Kit" includes the complete item without the valve body only.



Nei diagrammi le linee tratteggiate indicano le versioni disponibili a richiesta. In the diagrams, the dash lines indicate versions available on request.



ARES DA SALDARE WELD ENDS

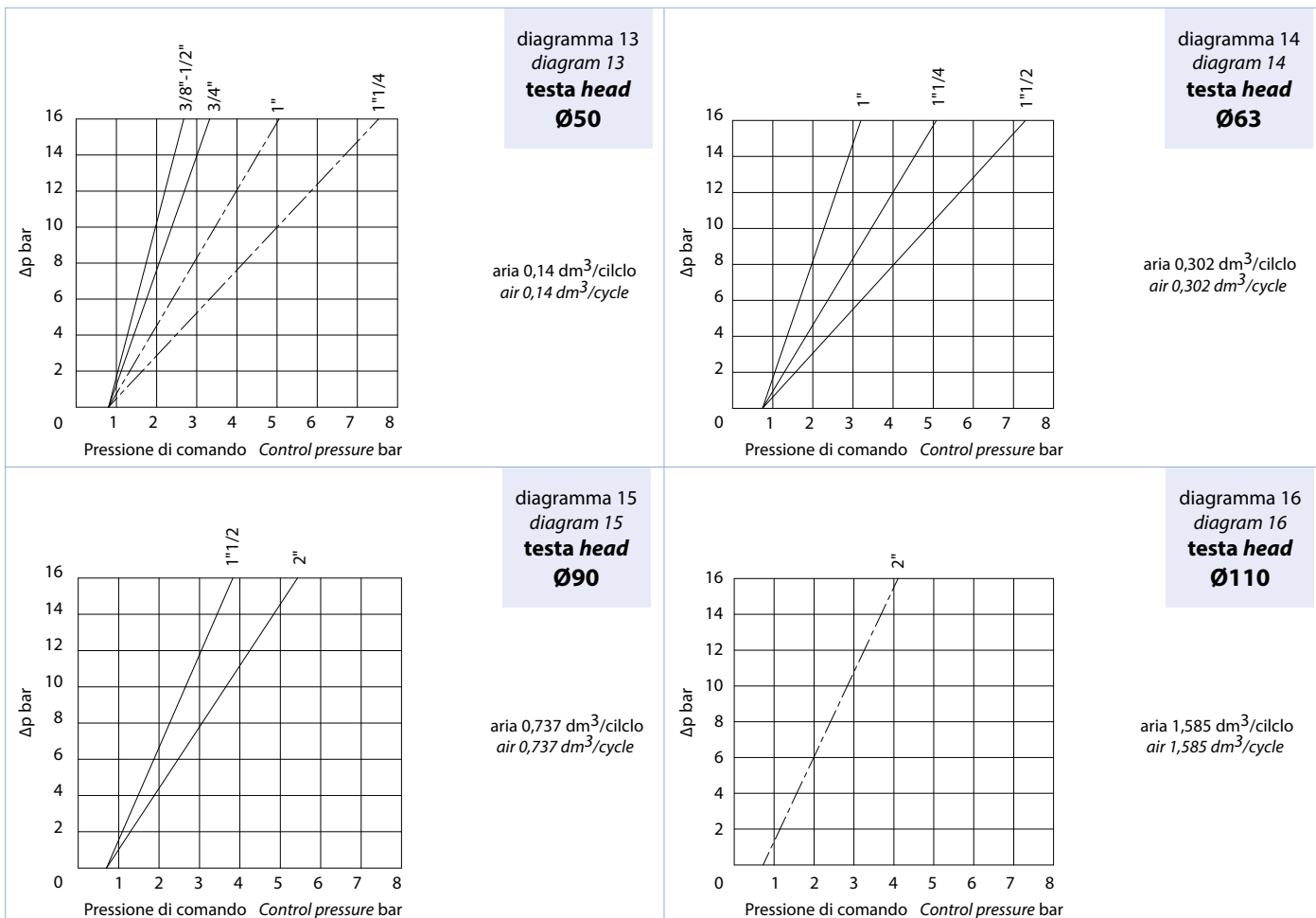
Doppio effetto bidirezionale

Double Acting bidirectional

DN [mm]	CODICE CODE CF3M	Kv m ³ /h	Ø Testa coman- do Ø Control head	P comando bar P control bar		P intercettata P operating ΔP max. bar	Peso Weight Kg.	KIT OTTURATORE DI RICAMBIO PLUG SPARE KIT	KIT TESTA DI RICAMBIO HEAD SPARE KIT
				Min	Max				
15	J4DPG1694	5,7	50	0,8	8	diagram n° 13	1	KGJP1003	J4DPG16R4
20	J4DPG1695	10,5	50	0,8	8	diagram n° 13	1,2	KGJP1005	J4DPG16R5
25	J4DPG1896	20	63	0,8	8	diagram n° 14	1,6	KGJP1006	J4DPG18R6
32	J4DPG1897	28,5	63	0,8	8	diagram n° 14	1,9	KGJP1007	J4DPG18R7
40	J4DPG1898	35	63	0,8	8	diagram n° 14	2,3	KGJP1008	J4DPG18R8
40	J4DPG2198	46	90	0,8	8	diagram n° 15	3,6	KGJP1108	J4DPG21R8
50	J4DPG2199	59	90	0,8	8	diagram n° 15	4,3	KGJP1009	J4DPG21R9

Il kit testa di ricambio comprende tutto l'articolo meno il corpo valvola.

The "piloting head replacement Kit" includes the complete item without the valve body only.



Nei diagrammi le linee tratteggiate indicano le versioni disponibili a richiesta. In the diagrams, the dash lines indicate versions available on request.

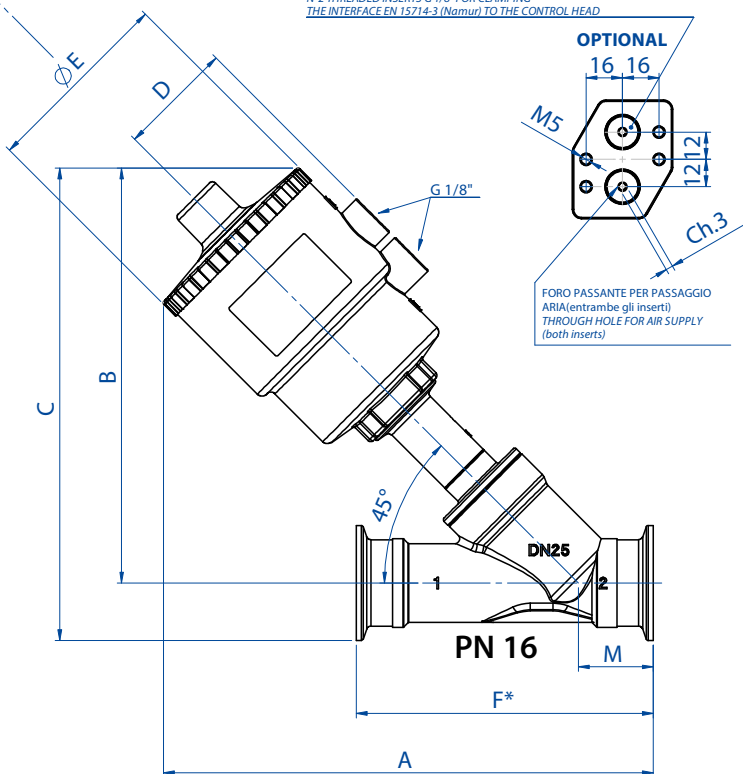




ARES CONNESSIONI CLAMP 3A TRICLAMP ENDS 3A

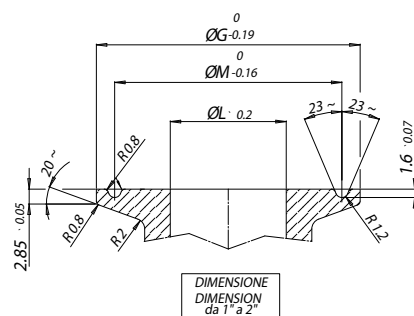
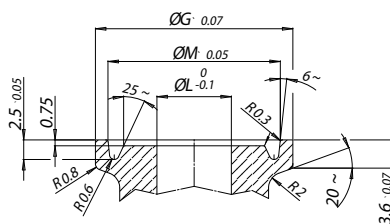
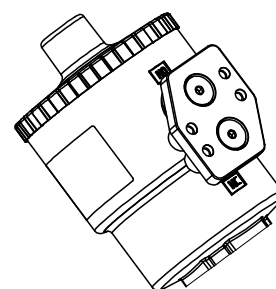
Testa di comando orientabile a 360°
Control head adjustable at 360°

Ruotare in senso orario
Clockwise rotation



Esempio dell'interfaccia EN 15714-3 (Namura) assemblata alla testa di comando
Disponibile A RICHIESTA nel caso di pilotaggio di elettrovalvola NAMUR
Codice: KBNJ0001

Example of NAMUR plate EN 15714-3 to be assembled on the control head
Available ON REQUEST once NAMUR Solenoid valve should be needed
Code: KBNJ0001



* Esecuzioni speciali su richiesta e per quantità. * Special version on request.

A richiesta versioni ISO 2852. ISO 2852 version on request.

Pressione di utilizzo fino a 16 bar (per il dettaglio vedere relativi diagrammi). Working pressure up to 16 bar (for details see diagrams).

		DIMENSIONI DIMENSIONS										
CLAMP Size	Testa di comando Control head	Passaggio Bore (mm)	A	B	C	D	ØE	F*	ØG	ØH	ØL	M
1/2"	Ø 50	9,5(*)	179	156	168,6	44	70	88,9	25,2	19	9,5	22
3/4"	Ø 50	15	181,5	156	168,6	44	70	101,6	25,2	19	15,8	22
1"	Ø 50	20	189,3	160	185,3	44	70	114,3	50,5	32	22,2	43,5
1"	Ø 63	20	207,3	178	203,3	50,5	84,4	114,3	50,5	23	22,2	43,5
1"1/2	Ø 63	32	214,6	186	211,3	50,5	84,4	139,7	50,5	38	34,9	43,5
1"1/2	Ø 90	32	254,6	226	251,3	66,2	116,4	139,7	50,5	38	34,9	43,5
1"1/2	Ø 110	32	290,6	261	286,3	77,4	140,6	139,7	50,5	38	34,9	43,5
2"	Ø 63	40	224,7	190	222	50,5	84,4	158,8	64	54	47,6	56,5
2"	Ø 90	40	264,7	230	262	66,2	116,4	158,8	64	54	47,6	56,5
2"	Ø 110	40	300,7	266	298	77,4	140,6	158,8	64	54	47,6	56,5

(*) Il passaggio valvola è 15 mm, la riduzione a 9,5 mm è dovuta al passaggio del clamp. (*) The valve bore is 15 mm, reduction to 9,5 mm is due to clamp bore. In neretto gli accoppiamenti consigliati. Altre combinazioni a richiesta. Suggested executions are in bold. Other combinations on request.



ARES CLAMP 3A

N.C. Normalmente Chiusa bidirezionale (Con ingresso sotto l'otturatore si evita il colpo d'ariete).

N.C. Normally Closed bidirectional (With the flow coming from below the plug you avoid water hammering).

CON INGRESSO DEL FLUIDO SOTTO L'OTTURATORE WITH THE FLOW FROM BELOW THE PLUG

CLAMP SIZE	CODICE CODE CF3M	Passaggio Bore mm	Kv m ³ /h	Ø Testa comando Ø Control head	P comando bar P control bar		P intercettata P operating ΔP max. bar	Peso Weight Kg.	KIT OTTURATORE DI RICAMBIO PLUG SPARE KIT	KIT TESTA DI RICAMBIO HEAD SPARE KIT
					Min	Max				
1/2"	J4SPG16U4	9,5(*)	3,4	50	4	10	16	1	KGJP1003	J4SPG16R4
3/4"	J4SPG16U5	15	5,7	50	4	10	16	1,1	KGJP1004	J4SPG16R4
1"	J4SPG16U6	20	10,5	50	4	10	10	1,2	KGJP1005	J4SPG16R5
1"	J4SPG18U6	20	10,5	63	4	10	16	1,4	KGJP1005	J4SPG18R5
1"1/2	J4SPG21U8	32	29	90	4	8	14	3	KGJP1107	J4SPG21R7
1"1/2	J4SPG23U8	32	29,5	110	4	8	16	3,3	KGJP1107	J4SPG23R7
2"	J4SPG21U9	40	46	90	4	8	11	3,4	KGJP1108	J4SPG21R8
2"	J4SPG23U9	40	46,5	110	4	8	16	4	KGJP1108	J4SPG23R8

Il kit testa di ricambio comprende tutto l'articolo meno il corpo valvola.

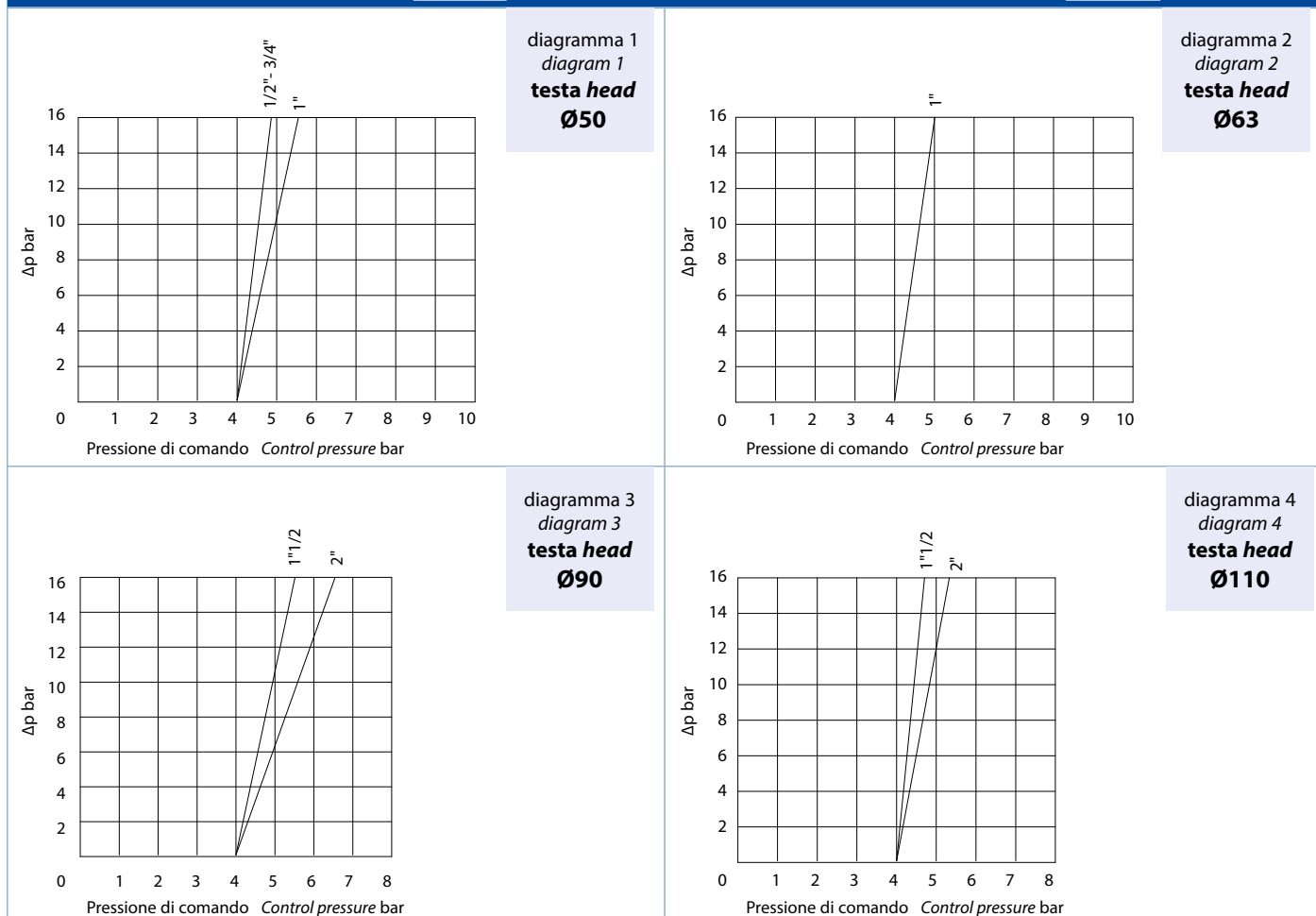
The "piloting head replacement Kit" includes the complete item without the valve body only.

(*) Il passaggio valvola è 15 mm, la riduzione a 9,5 mm è dovuta al passaggio del clamp.

(*) The valve bore is 15 mm, reduction to 9,5 mm is due to clamp bore.

Misure riferite alla dimensione Clamp. Refer to Clamp size.

CON INGRESSO DEL FLUIDO SOPRA L'OTTURATORE WITH THE FLOW FROM ABOVE THE PLUG





ARES CLAMP 3A

N.C. Normalmente Chiusa con ingresso sopra l'otturatore.

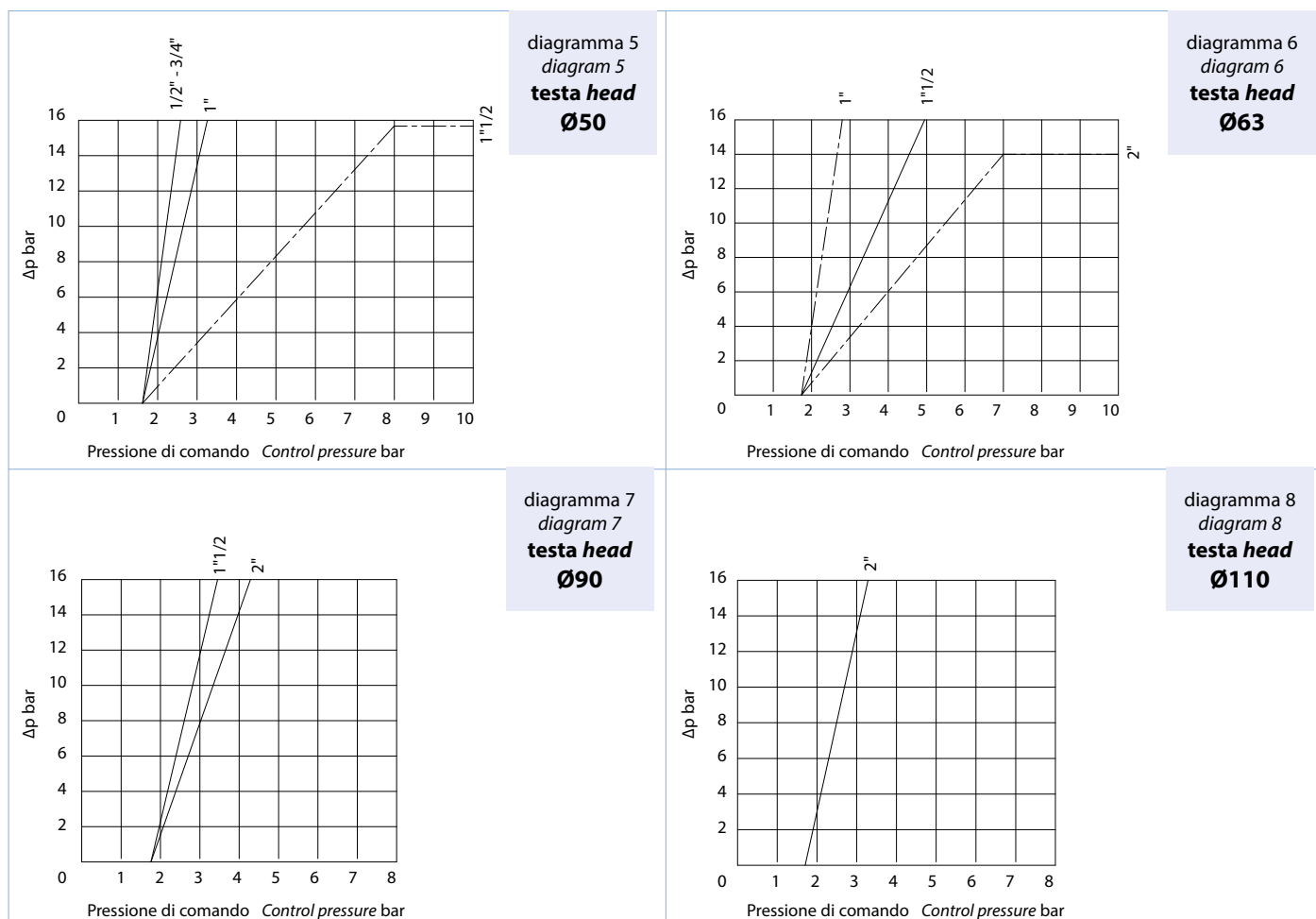
N.C. Normally Closed with the flow from above the plug.

CLAMP SIZE	CODICE CODE CF3M	Passaggio Bore mm	Kv m ³ /h	Ø Testa comando Ø Control head	P comando bar P control bar		P intercettata P operating ΔP max. bar	Peso Weight Kg.	KIT OTTURATORE DI RICAMBIO PLUG SPARE KIT	KIT TESTA DI RICAMBIO HEAD SPARE KIT
1/2"	J4CPG16U4	9,5(*)	3,4	50	1,8	10	diagram n° 5	1	KGJP1003	J4CPG16R4
3/4"	J4CPG16U5	15	5,7	50	1,8	10	diagram n° 5	1,1	KGJP1004	J4CPG16R4
1"	J4CPG16U6	20	10,5	50	1,8	10	diagram n° 5	1,2	KGJP1005	J4CPG16R5
1"	J4CPG18U6	20	10,5	63	1,8	10	diagram n° 6	1,4	KGJP1005	J4CPG18R5
1"1/2	J4CPG18U8	32	28,5	63	1,8	10	diagram n° 6	2,6	KGJP1007	J4CPG18R7
1"1/2	J4CPG21U8	32	29	90	1,8	8	diagram n° 7	3	KGJP1107	J4CPG21R7
2"	J4CPG21U9	40	46	90	1,8	8	diagram n° 7	3,7	KGJP1108	J4CPG21R8
2"	J4CPG23U9	40	46,5	110	1,8	8	diagram n° 8	4,6	KGJP1108	J4CPG23R8

Il kit testa di ricambio comprende tutto l'articolo meno il corpo valvola.
 The "piloting head replacement Kit" includes the complete item without the valve body only.

(*) Il passaggio valvola è 15 mm, la riduzione a 9,5 mm è dovuta al passaggio del clamp.
 (*) The valve bore is 15 mm, reduction to 9,5 mm is due to clamp bore.

Misure riferite alla dimensione Clamp. Refer to Clamp size.



Nei diagrammi le linee tratteggiate indicano le versioni disponibili a richiesta. In the diagrams, the dash lines indicate versions available on request.



ARES CLAMP 3A

N.A. Normalmente Aperta con ingresso sotto l'otturatore.

N.O. Normally Open with flow from below the plug.

CLAMP SIZE	CODICE CODE CF3M	Passaggio Bore mm	Kv m ³ /h	Ø Testa comando Ø Control head	P comando bar P control bar Min Max		P intercettata P operating ΔP max. bar	Peso Weight Kg.	KIT OTTURATORE DI RICAMBIO PLUG SPARE KIT	KIT TESTA DI RICAMBIO HEAD SPARE KIT
1/2"	J4APG16U4	9,5(*)	3,4	50	2,8	10	diagram n° 9	1	KGJP1003	J4APG16R4
3/4"	J4APG16U5	15	5,7	50	2,8	10	diagram n° 9	1,1	KGJP1004	J4APG16R4
1"	J4APG16U6	20	10,5	50	2,8	10	diagram n° 9	1,2	KGJP1005	J4APG16R5
1"1/2	J4APG18U8	32	28,5	63	3,2	10	diagram n° 10	2,6	KGJP1007	J4APG18R7
2"	J4APG21U9	40	46	90	2	8	diagram n° 11	3,7	KGJP1108	J4APG21R8

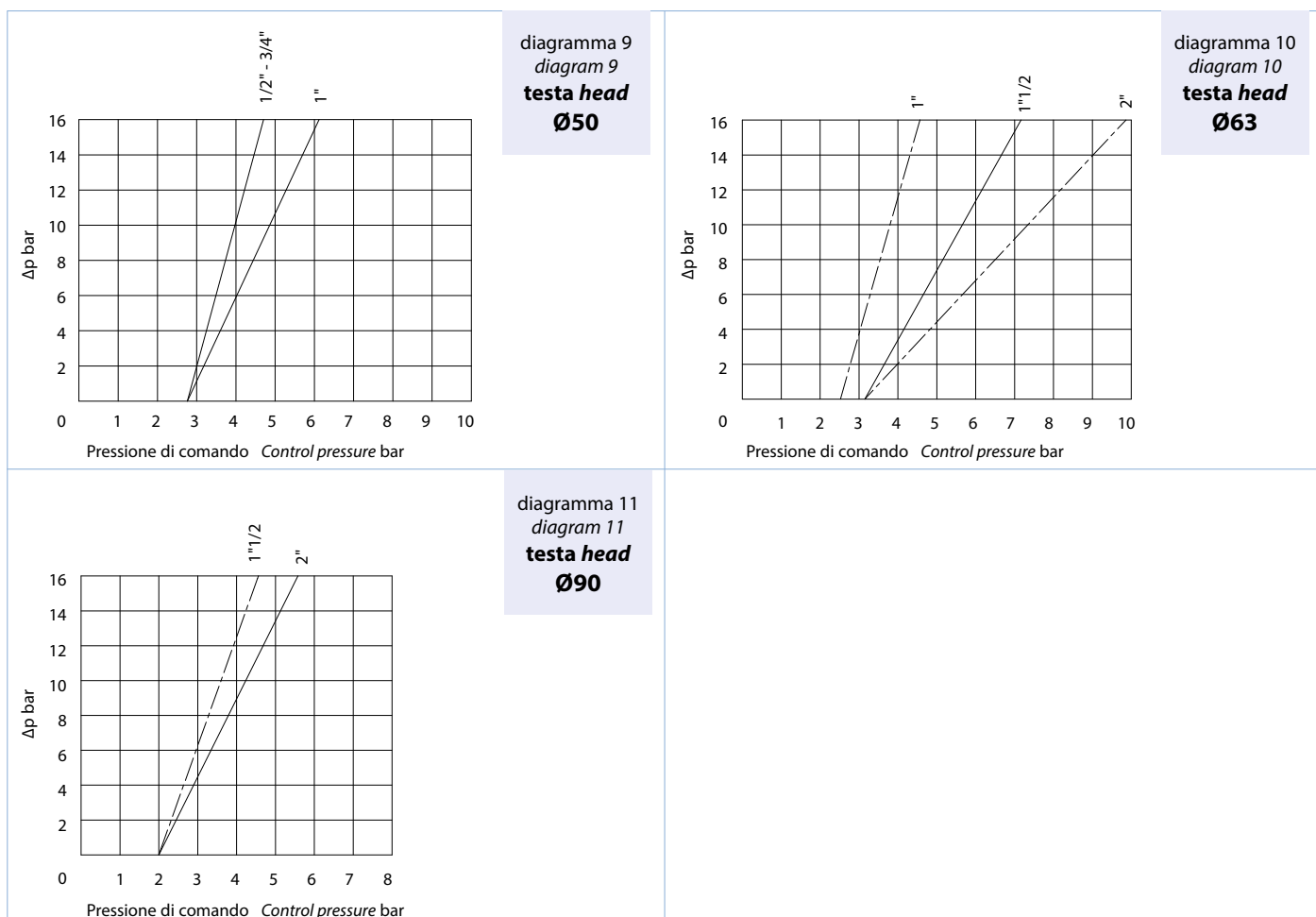
Il kit testa di ricambio comprende tutto l'articolo meno il corpo valvola.

The "piloting head replacement Kit" includes the complete item without the valve body only.

(*) Il passaggio valvola è 15 mm, la riduzione a 9,5 mm è dovuta al passaggio del clamp.

(*) The valve bore is 15 mm, reduction to 9,5 mm is due to clamp bore.

Misure riferite alla dimensione Clamp. Refer to Clamp size.



Nei diagrammi le linee tratteggiate indicano le versioni disponibili a richiesta. In the diagrams, the dash lines indicate versions available on request.

**ARES CLAMP 3A****Doppio effetto bidirezionale.****Double Acting bidirectional.**

CLAMP SIZE	CODICE CODE CF3M	Passaggio Bore mm	Kv m ³ /h	Ø Testa comando Ø Control head	P comando bar P control bar Min Max	P intercettata P operating ΔP max. bar	Peso Weight Kg.	KIT OTTURATORE DI RICAMBIO PLUG SPARE KIT	KIT TESTA DI RICAMBIO HEAD SPARE KIT
1/2"	J4DPG16U4	9,5(*)	3,4	50	0,8 8	diagram n° 13	1	KGJP1003	J4DPG16R4
3/4"	J4DPG16U5	15	5,7	50	0,8 8	diagram n° 13	1,1	KGJP1004	J4DPG16R4
1"	J4DPG16U6	20	10,5	50	0,8 8	diagram n° 13	1,2	KGJP1005	J4DPG16R5
1"1/2	J4DPG18U8	32	28,5	63	0,8 8	diagram n° 14	2	KGJP1007	J4DPG18R7
2"	J4DPG18U9	40	35	63	0,8 8	diagram n° 14	2,3	KGJP1008	J4DPG18R8
2"	J4DPG21U9	40	46	90	0,8 8	diagram n° 15	3,6	KGJP1108	J4DPG21R8

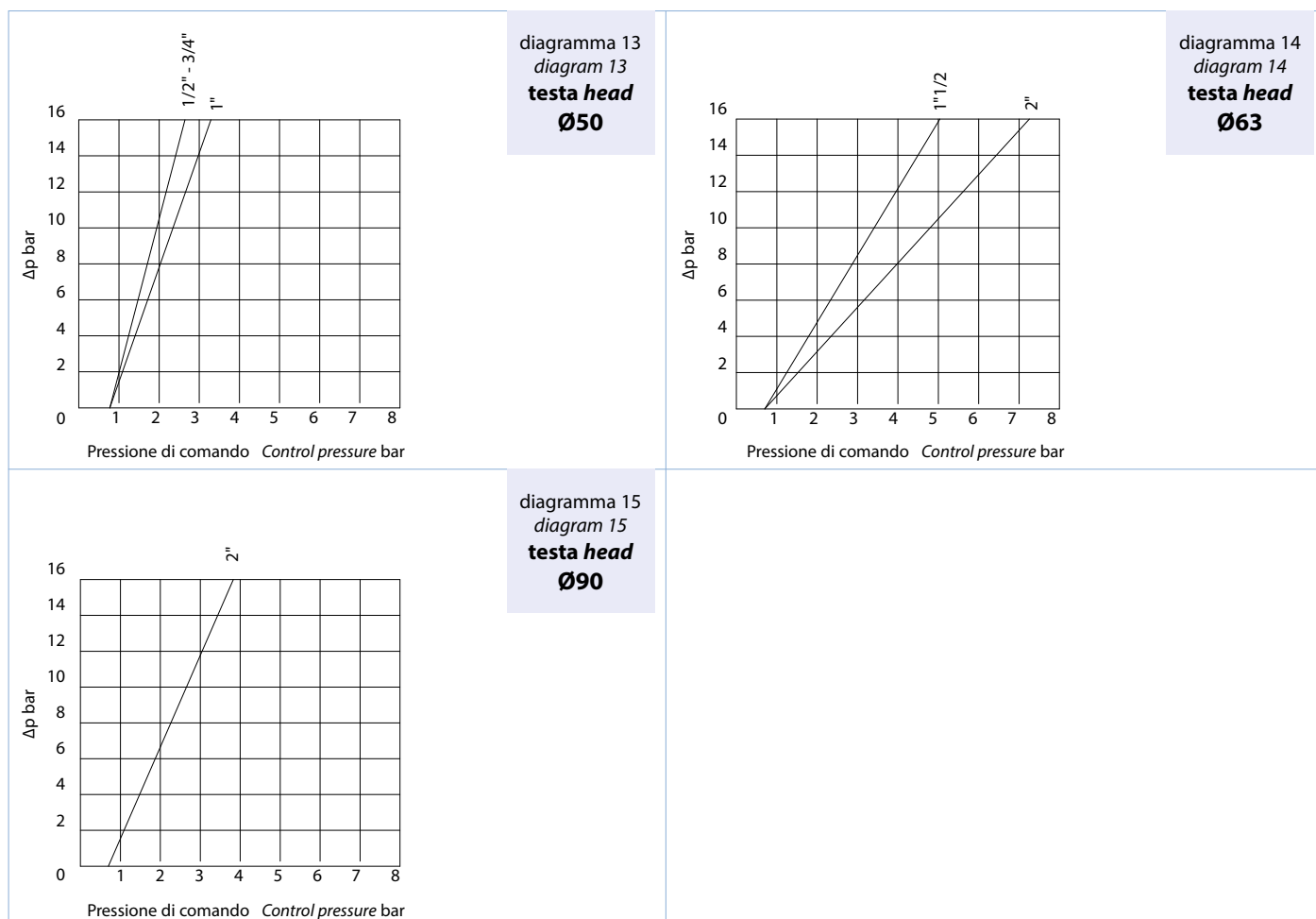
Il kit testa di ricambio comprende tutto l'articolo meno il corpo valvola.

The "piloting head replacement Kit" includes the complete item without the valve body only.

(*) Il passaggio valvola è 15 mm, la riduzione a 9,5 mm è dovuta al passaggio del clamp.

(*) The valve bore is 15 mm, reduction to 9,5 mm is due to clamp bore.

Misure riferite alla dimensione Clamp. Refer to Clamp size.



Nei diagrammi le linee tratteggiate indicano le versioni disponibili a richiesta. In the diagrams, the dash lines indicate versions available on request.





ARES MANUALE

ARES MANUAL DRIVE



PN 25

CARATTERISTICHE GENERALI:

- Materiale del corpo valvola: A351-CF8M (316 S.S.).
- Attacchi valvola: vedi schema di codifica.
- Montaggio in ogni posizione: orizzontale, verticale, obliqua.
- Gamma disponibile da DN 10 a DN 50.
- Disponibile anche versione con dispositivo di bloccaggio.
- Configurazione ATEX 2014/34/UE da richiedere in fase d'ordine.
- A richiesta: versioni per vuoto e per uso ossigeno.

GENERAL FEATURES:

- *Body valve material: A351-CF8M (316 S.S.).*
- *Valve ends: see code plan.*
- *Assembling is possible in all positions: upright, flat or angled.*
- *Range available from DN 10 to DN 50.*
- *Locking device version available.*
- *2014/34/EU ATEX configuration to request at time of order.*
- *On request: versions for vacuum and oxygen service.*

FLUIDO INTERCETTATO:

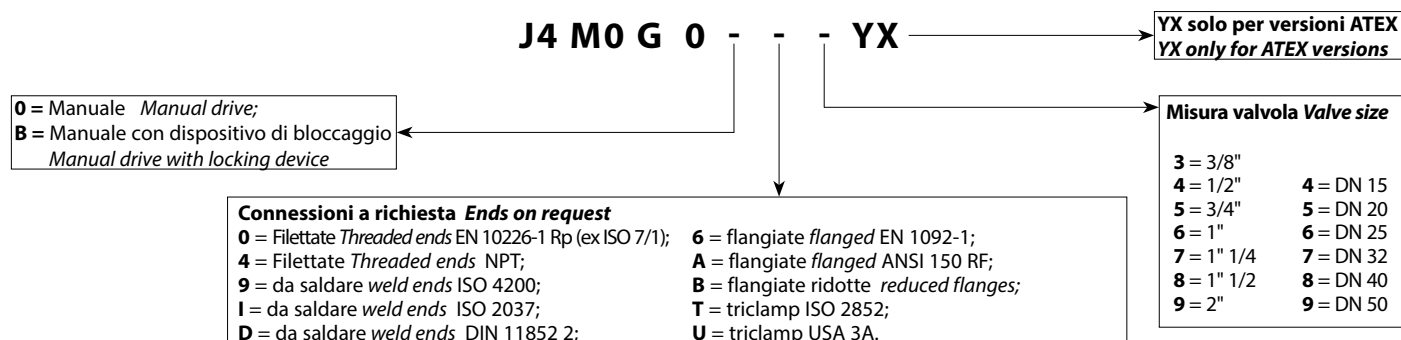
- Aria, acqua, alcool, olii, carburanti, soluzioni saline, vapore, ecc..(comunque compatibili con A 351 CF8M (316 S.S.) e PTFE).
- Pressione di utilizzo da 0 a 25 bar (vapore a 180°C da 0 a 10 bar) in funzione della versione scelta.
- Temperatura da -10°C a +180°C.
- Viscosità massima 600 cst (mm²/s).

OPERATING MEDIA:

- *Air, water, alcohol, oil, petroleum products, saline solutions, steam, etc. (as long as compatible with A 351 CF8M (316 S.S.) e PTFE).*
- *Pressure from 0 to 25 bar (steam from 180°C, from 0 to 10 bar) depending on the model chosen.*
- *Temperature from -10°C to 180°C.*
- *Max. viscosity 600 cst (mm²/s).*

SCHEMA DI CODIFICA ARES MANUALI

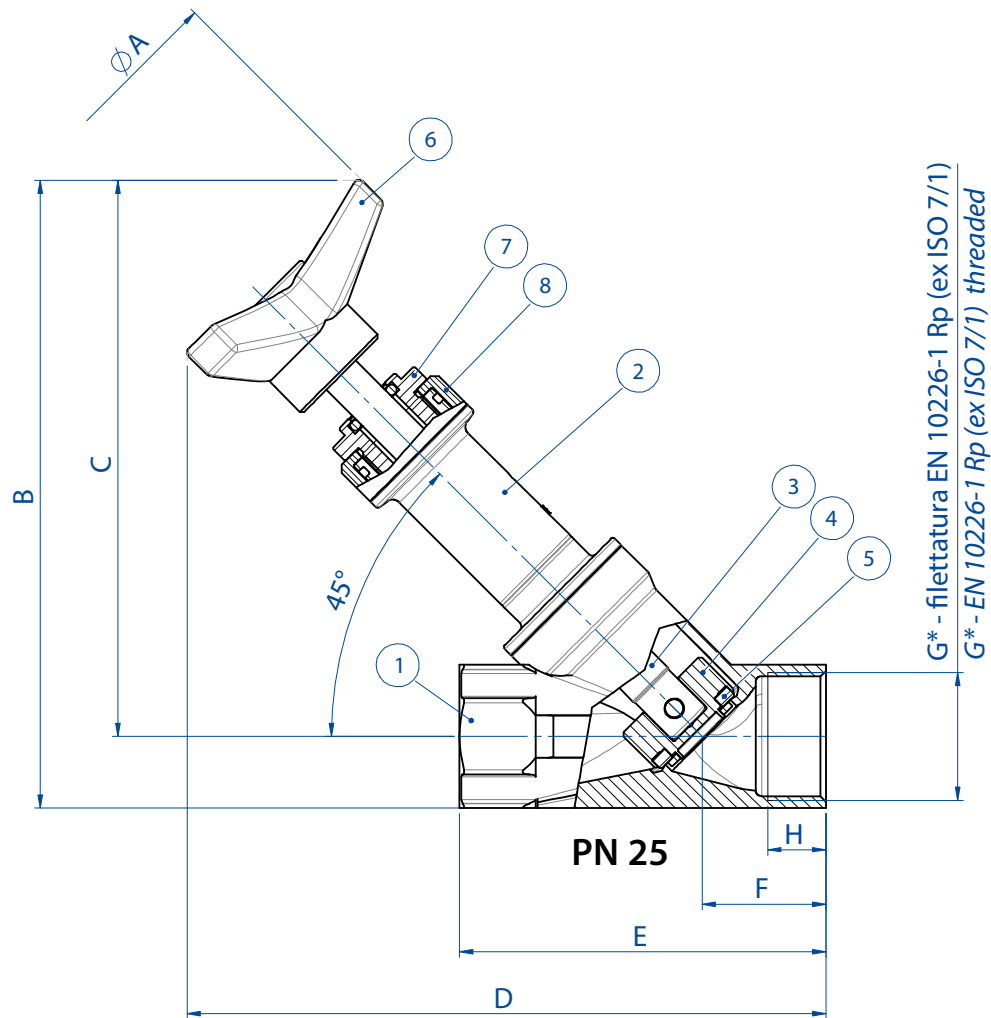
ARES MANUAL DRIVE CODE PLAN





ARES MANUALE ARES MANUAL DRIVE

ATTACCHI FILETTATI *THREADED VALVE ENDS EN 10226-1 RP (EX ISO 7/1)*



*A richiesta filetto NPT *NPT on request*

		DIMENSIONI		DIMENSIONS				
DN [mm]	G* [inch]	ϕA	B	C	D	E	F	H
15	3/8"	63	138,5	126	169	85	34,5	12
15	1/2"	63	138,5	126	169	85	34,5	15
20	3/4"	63	148,5	133	176,2	95	34,7	16,3
25	1"	63	152	133	178,1	105	36,6	19,5
32	1"1/4	100	191,5	168	222,5	120	40,5	19
40	1"1/2	100	197	170	225	130	41	18
50	2"	100	213	180	239,5	150	45,5	20

* A richiesta filetto NPT *NPT on request*

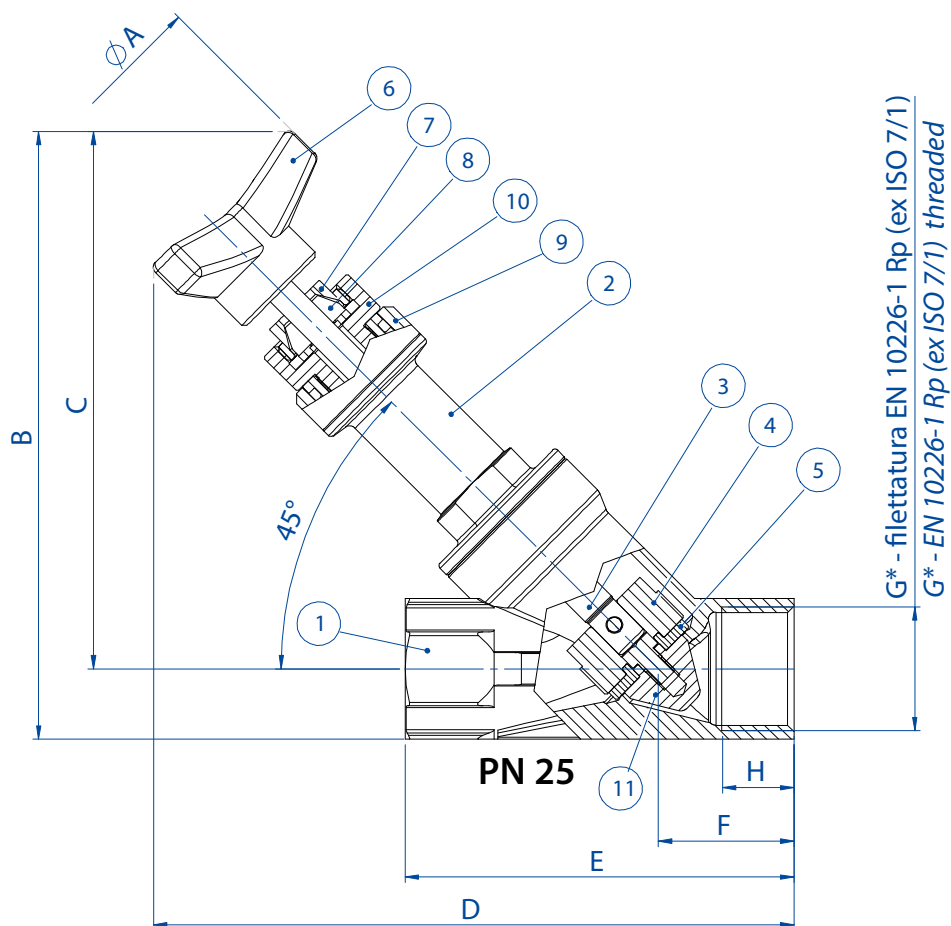
		MATERIALI	MATERIALS
N°	Descrizione <i>Description</i>	Materiali <i>Materials</i>	
1	Corpo valvola <i>Valve body</i>	CF8M (316 S.S.)	
2	Cannotto premistoppa <i>Sleeve</i>	CF8M (316 S.S.)	
3	Stelo <i>Stem</i>	316L S.S.	
4	Otturatore <i>Plug</i>	316L S.S.	
5	Guarnizione otturatore <i>Plug seals</i>	PTFE	
6	Manopola <i>Hand grip</i>	Tecnopolimero <i>Tecnopolymer</i>	
7	Premiguarnizione <i>Gland Nut</i>	304 S.S.	
8	Bussola <i>Bush</i>	Lega di alluminio <i>Aluminium Alloy</i>	



ARES MANUALE CON DISPOSITIVO DI BLOCCAGGIO

ARES MANUAL DRIVE WITH BLOCKING DEVICE

ATTACCHI FILETTATI *THREADED VALVE ENDS EN 10226-1 RP (EX ISO 7/1)*



*a richiesta filetto NPT *NPT on request*

DIMENSIONI		DIMENSIONS						
DN [mm]	G* [inch]	øA	B	C	D	E	F	H
15	3/8"	63	138,5	126	169	85	34,5	12
15	1/2"	63	138,5	126	169	85	34,5	15
20	3/4"	63	148,5	133	176,2	95	34,7	16,3
25	1"	63	152	133	178,1	105	36,6	19,5
32	1 1/4"	100	191,5	168	222,5	120	40,5	19
40	1 1/2"	100	197	170	225	130	41	18
50	2"	100	213	180	239,5	150	45,5	20

* A richiesta filetto NPT *NPT on request*

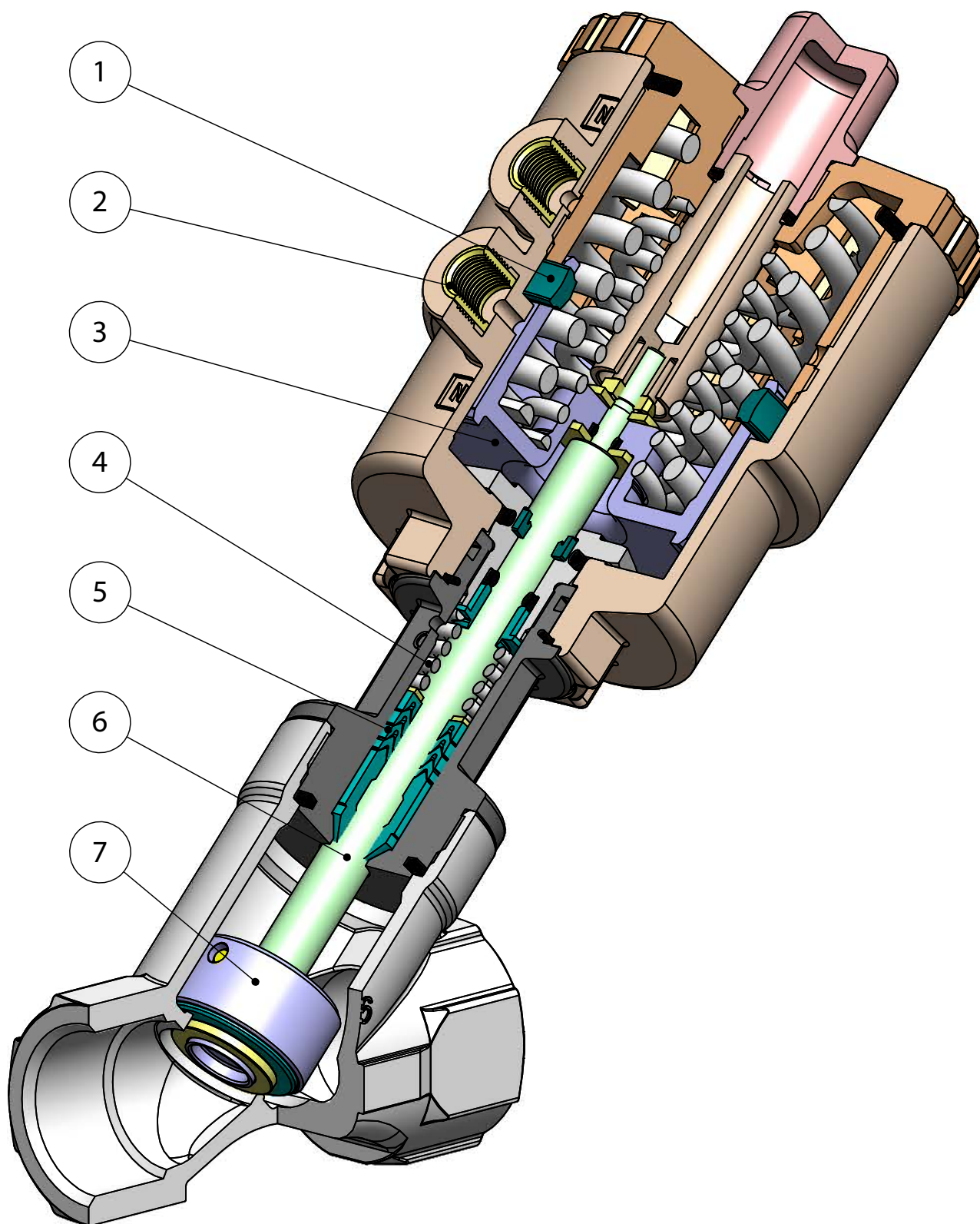
MATERIALI		MATERIALS	
N°	Descrizione <i>Description</i>	Materiali	Materials
1	Corpo valvola <i>Valve body</i>	CF8M	
2	Cannotto premistoppa <i>Sleeve</i>	CF8M	
3	Stelo <i>Stem</i>	316L S.S.	
4	Otturatore <i>Plug</i>	316L S.S.	
5	Guarnizione otturatore <i>Plug seals</i>	PTFE	
6	Manopola <i>Hand grip</i>	Tecnopolimero <i>Tecnopolymer</i>	
7	Ghiera di bloccaggio <i>Locking nut</i>	304 S.S.	
8	Pinza <i>Pliers</i>	Ottone <i>Brass</i>	
9	Bussola <i>Bush</i>	Lega di alluminio <i>Aluminium Alloy</i>	
10	Premiguarnizione <i>Gland Nut</i>	304 S.S.	
11	Ogiva <i>Ogive</i>	304 S.S.	





ZEUS

VALVOLA INCLINATA ANGLE SEAT VALVE





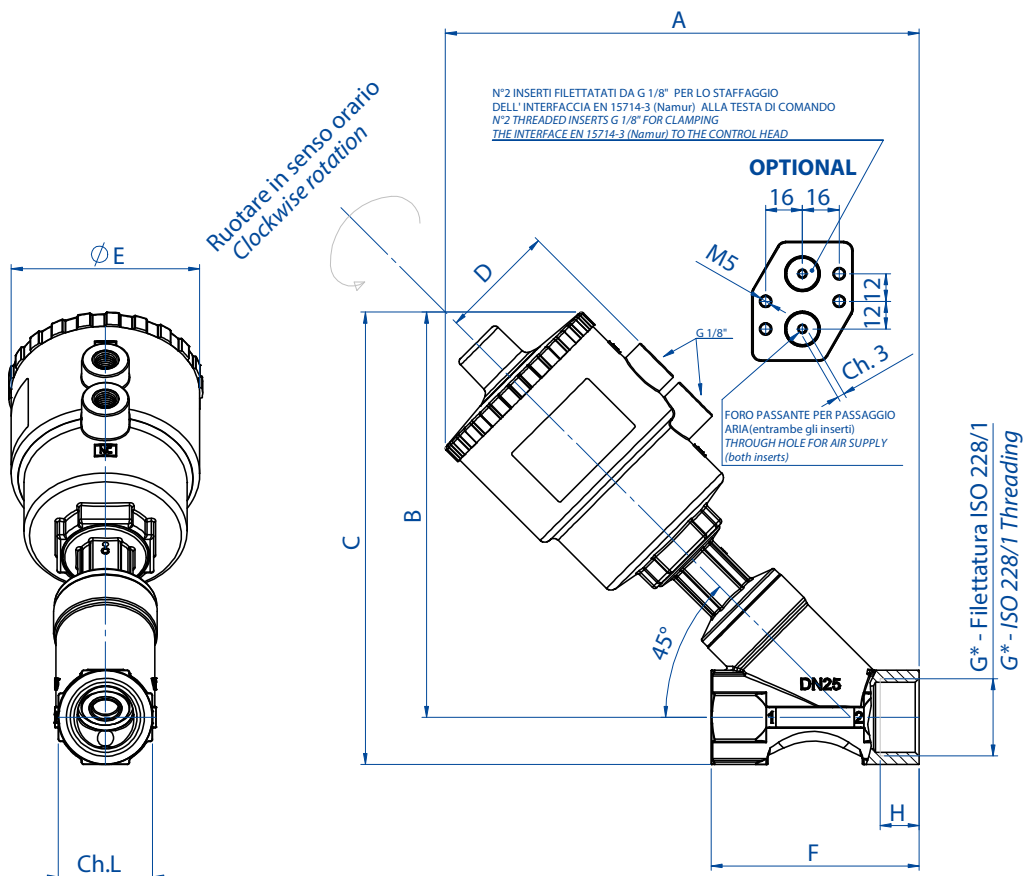
FEATURES & BENEFITS

1	<p>Guarnizione posizionata nel cilindro anziché sul pistone</p> <p><i>Seal placed in the cylinder rather than on the piston</i></p>	<p>Si ottiene una maggiore corsa dell'attuatore e dell'otturatore ad esso collegato garantendo grandi aperture del passaggio sulla sede (minor perdita di carico)</p> <p><i>Longer stroke of the actuator and shutter will be achieved, granting higher flow rate (less flow loss)</i></p>
		<p>Minor usura della guarnizione</p> <p><i>Less wear of the seal</i></p>
2	<p>Inseriti della testa di comando in 303 S.S..</p> <p><i>Piloting head inserts in 303 S.S..</i></p>	<p>Aumenta considerevolmente la resistenza alla corrosione causata da agenti esterni.</p> <p><i>Increases considerably the corrosion resistance caused by external agents.</i></p>
3	<p>Dal DN63 pistone metallico con rivestimento in NICHEL-CHIMICO (10-15 micron)</p> <p><i>Starting from DN63 metal piston with CHEMICAL NICKEL coating (10-15 micron)</i></p>	<p>Si riduce l'usura del pistone grazie al raggiungimento di una maggior durezza superficiale(700-750 HV)</p> <p><i>Reduces the wear of the piston due to the achievement of a greater surface hardness (700-750 HV)</i></p>
4	<p>Guarnizioni precaricate da molla</p> <p><i>Seals pre-loaded by spring</i></p>	<p>Garantiscono il recupero dei giochi dovuti all'usura causata dallo scorrimento lineare dell'albero evitando perdite verso l'esterno</p> <p><i>Guarantee of the recovery of the gap due to the wear caused by the sliding of the shaft avoiding leakage towards the outside part.</i></p>
		<p>Consentono di mantenere energizzati le guarnizioni "chevron" (a V) compensandone le variazioni dimensionali anche a fronte di notevoli escursioni termiche</p> <p><i>Allow to maintain energized the "chevron" seals (V) compensating the dimensional changes even in case of huge temperature excursions</i></p>
5	<p>Guarnizioni tipo "chevron" (a "v") con 4 guarnizioni nella parte inferiore</p> <p><i>CHEVRON seals (V shape) with 4 seals in the lower part</i></p>	<p>Si garantisce una perfetta tenuta anche dopo un numero elevato di cicli</p> <p><i>It ensures a perfect tightness even after a high number of cycles</i></p>
6	<p>Albero rullato</p> <p><i>Rolled shaft</i></p>	<p>Minor usura delle guarnizioni grazie alla bassa rugosità (0,1 micron Ra) dell'albero che facilita lo scorrimento</p> <p><i>Less wear of the seals due to the low roughness (0,1 micron Ra) which facilitate the sliding of the shaft</i></p>
7	<p>Otturatore oscillante/autoallineante</p> <p><i>Oscillating / self-aligning shutter</i></p>	<p>Si adatta perfettamente alla sede sul corpo valvola garantendo una massima tenuta</p> <p><i>It fits perfectly to the valve body ensuring the maximum tightness</i></p>
	<p>Certificato ATEX</p> <p><i>ATEX Certificate</i></p>	<p>Ne consente l'installazione in presenza di ambiente potenzialmente esplosivo</p> <p><i>Installation is allowed in a potential explosive environment</i></p>
	<p>Certificato PED</p> <p><i>PED Certificate</i></p>	<p>Piena conformità alle norme di sicurezza europee per i dispositivi in pressione</p> <p><i>Full compliance with European Safety Standards for Pressure Equipment</i></p>



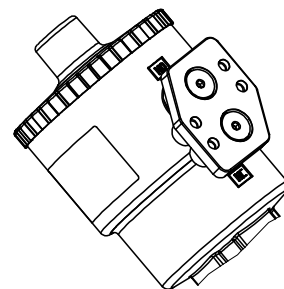
ZEUS

Testa di comando orientabile a 360°
Control head adjustable at 360°



Esempio dell'interfaccia EN 15714-3 (Namura) assemblata alla testa di comando
Disponibile A RICHIESTA nel caso di pilotaggio di elettrovalvola NAMUR
Codice: KBNJ0001

Example of NAMUR plate EN 15714-3 to be assembled on the control head
Available ON REQUEST once NAMUR Solenoid valve should be needed
Code: KBNJ0001



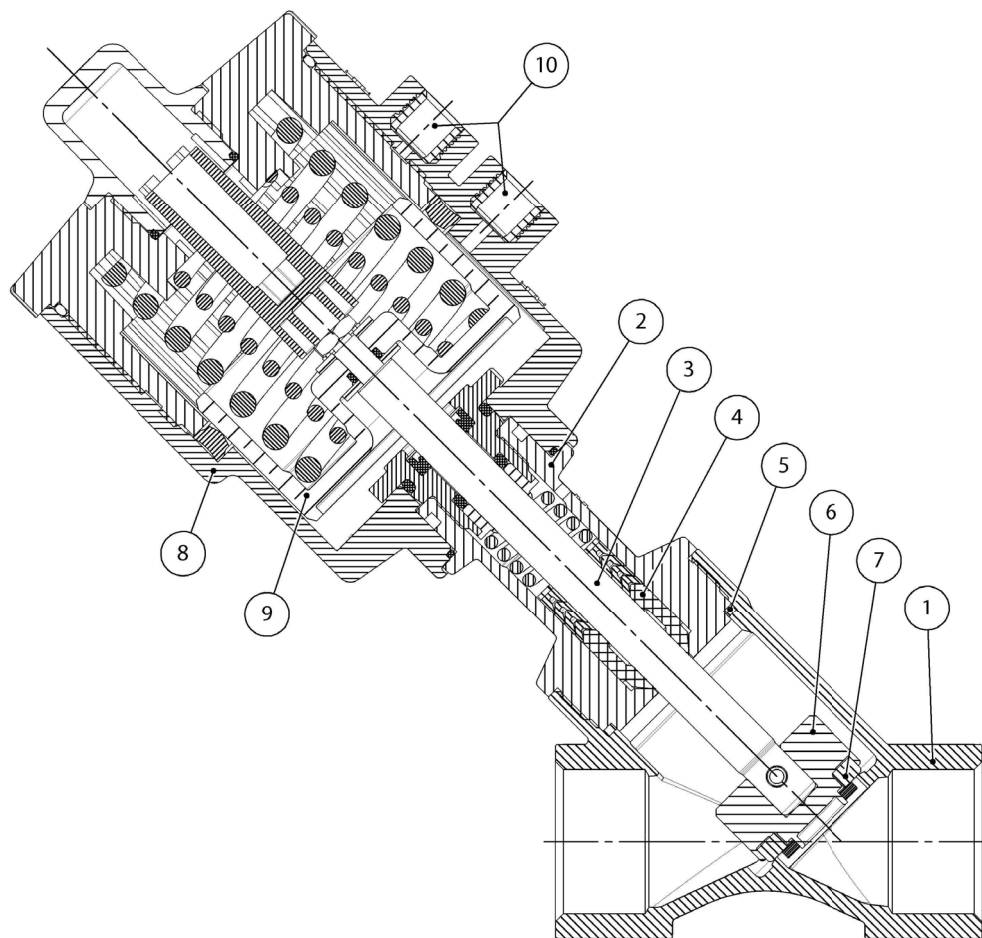
DIMENSIONI DIMENSIONS

DN [mm]	G* [inch]	Attuatore Actuator	A	B	C	D	øE	F	ch. L	H
15	3/8"	Ø 50	166	143	157	44	70	65	27	12
15	1/2"	Ø 50	166	143	157	44	70	65	27	11
20	3/4"	Ø 50	174	149	165	44	70	75	33	14
20	3/4"	Ø 63	193	167	184	51	85	75	33	14
25	1"	Ø 50	188	159	180	44	70	90	41	17
25	1"	Ø 63	206	172	193	51	85	90	41	17
25	1"	Ø 90	255	221	242	67	117	90	41	17
32	1 1/4"	Ø 50	197	160	186	44	70	110	50	19
32	1 1/4"	Ø 63	215	180	205	51	85	110	50	19
32	1 1/4"	Ø 90	267	231	256	67	117	110	50	19
32	1 1/4"	Ø 110	300	265	290	78	141	110	50	19
40	1 1/2"	Ø 63	238	202	231	51	85	120	58	18
40	1 1/2"	Ø 90	270	235	264	67	117	120	58	18
40	1 1/2"	Ø 110	306	271	300	78	141	120	58	18
50	2"	Ø 63	247	206	241	51	85	150	70	20
50	2"	Ø 90	281	241	276	67	117	150	70	20
50	2"	Ø 110	317	276	311	78	141	150	70	20

* A richiesta la versione con filettatura NPT On request NPT-threading



ZEUS



N°	MATERIALI	MATERIALS
1	Corpo valvola <i>Valve body</i>	Bronzo <i>Bronze</i> CuSn5Zn5Pb5-B
2	Cannotto premistoppa <i>Sleeve</i>	Ottone EN 12165 CW617N <i>Brass EN 12165 CW617N</i>
3	Stelo <i>Stem</i>	316L S.S.
4*	Guarnizioni stelo <i>Stem seals</i>	PTFE-CF
5*	Guarnizione corpo <i>Body seal</i>	GRAPHITE
6	Otturatore <i>Plug</i>	316L S.S.
7	Guarnizione otturatore <i>Plug seal</i>	PTFE
8	Testa di comando <i>Actuator cylinder</i>	Poliammide PA 66 + GF 30%
9	Pistone <i>Piston</i>	Ottone nichel chimico <i>Brass chem-nickel</i> (PBT + GF 20% testa/head ø50)
10	Inseri di pilotaggio <i>Threading inserts</i>	303 S.S.
	Basetta namur <i>Namur plate</i> (OPTIONAL)	PA66 + GF30%, inseri ottone <i>brass inserts</i>

* Per applicazioni alta purezza sono disponibili guarnizioni stelo in PTFE vergine e guarnizione corpo in Peek
 For high purity application are allowable stem seals in virgin PTFE and body seals in Peek

DIAGRAMMA PRESSIONE/TEMPERATURA
TEMPERATURE/PRESSURE DIAGRAM

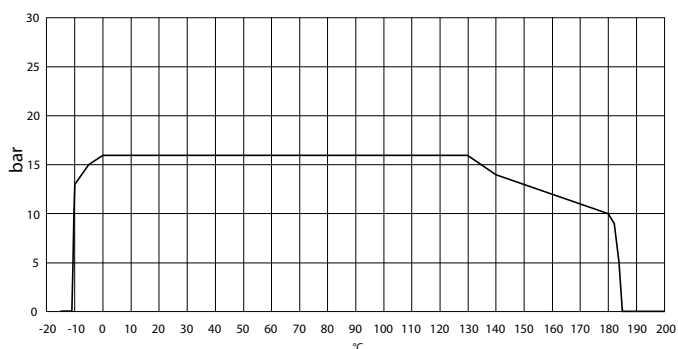
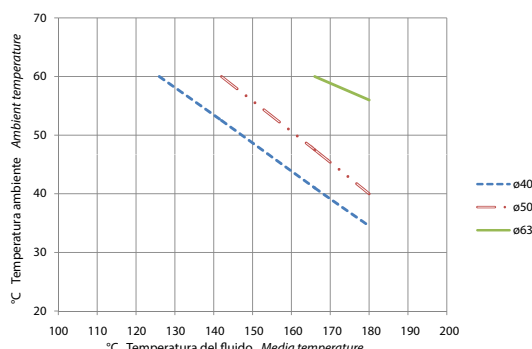
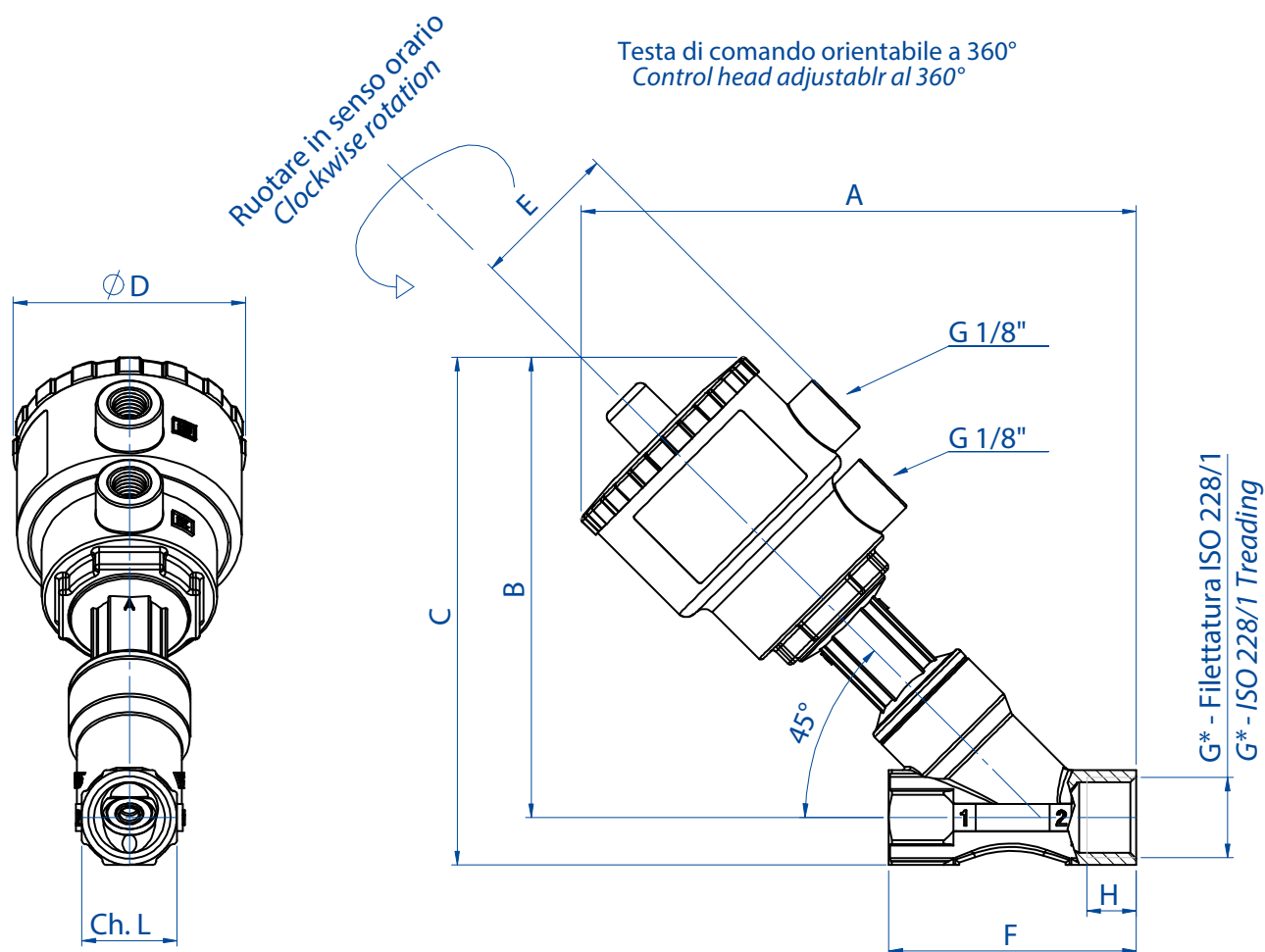


DIAGRAMMA T AMBIENTE/T FLUIDO INTERCETTABILE
AMBIENT TEMPERATURE/MEDIA TEMPERATURE DIAGRAM



ZEUS

**ZEUS** TESTA Ø40 HEAD Ø40

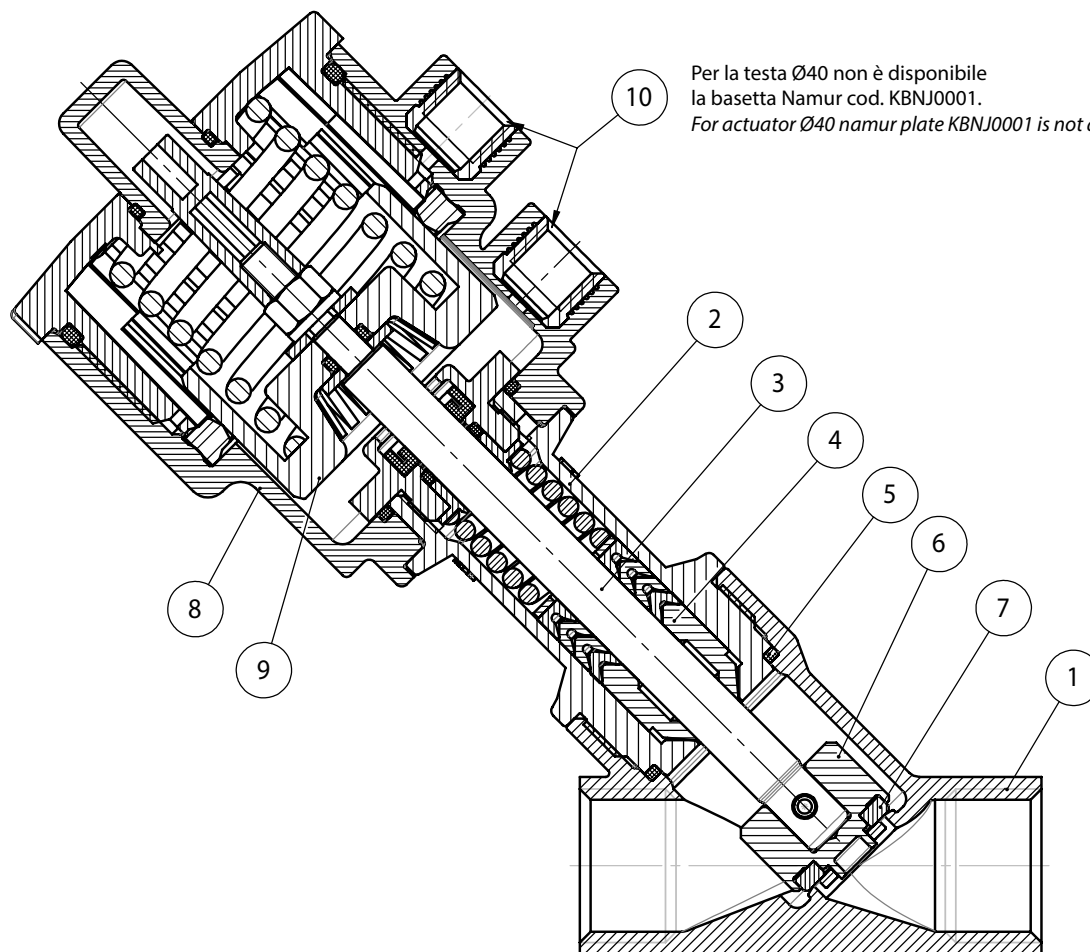
Per la testa Ø40 non è disponibile la bassetta Namur cod. KBNJ0001.
 For actuator Ø40 namur plate KBNJ0001 is not available.

DIMENSIONI		DIMENSIONS								
DN [mm]	G* [inch]	Attuatore Actuator	A	B	C	ØD	E	F	H	ch. L
15	3/8"	Ø 40	144	121	134	61	39	65	12	27
15	1/2"	Ø 40	144	121	134	61	39	65	11	27
20	3/4"	Ø 40	151	128	143	61	39	75	14	33

* A richiesta la versione con filettatura NPT On request NPT-threading



ZEUS TESTA Ø40 HEAD Ø40



N°	MATERIALI	MATERIALS
1	Corpo valvola <i>Valve body</i>	Bronzo <i>Bronze</i> CuSn5Zn5Pb5-B
2	Cannotto premistoppa <i>Sleeve</i>	Ottone EN 12165 CW617N <i>Brass EN 12165 CW617N</i>
3	Stelo <i>Stem</i>	316L S.S.
4*	Guarnizioni stelo <i>Stem seals</i>	PTFE-CF
5*	Guarnizione corpo <i>Body seal</i>	GRAPHITE
6	Otturatore <i>Plug</i>	316L S.S.
7	Guarnizione otturatore <i>Plug seal</i>	PTFE
8	Testa di comando <i>Actuator cylinder</i>	Poliammide PA 66 + GF 30%
9	Pistone <i>Piston</i>	PBT + GF 20%
10	Inserti di pilotaggio <i>Threading inserts</i>	303 S.S.

* Per applicazioni alta purezza sono disponibili guarnizioni stelo in PTFE vergine e guarnizione corpo in Peek
For high purity application are allowable stem seals in virgin PTFE and body seals in Peek

DIAGRAMMA PRESSIONE/TEMPERATURA
TEMPERATURE/PRESSURE DIAGRAM

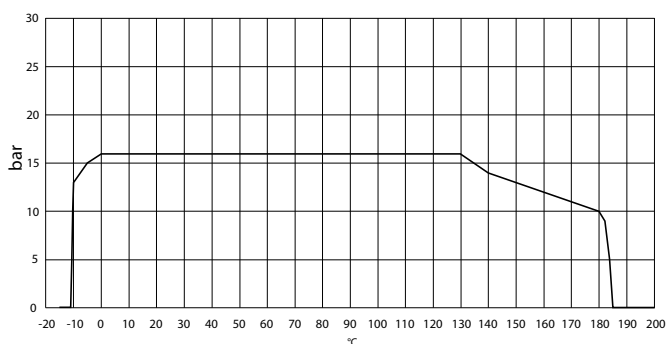
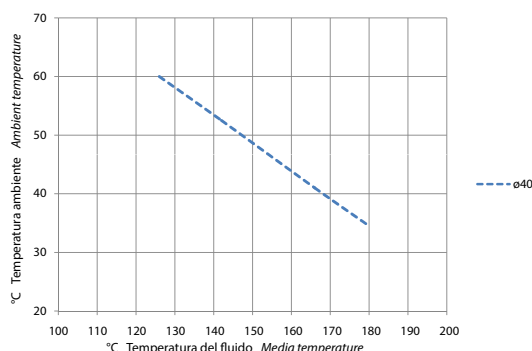


DIAGRAMMA T AMBIENTE/T FLUIDO INTERCETTABILE
AMBIENT TEMPERATURE/MEDIA TEMPERATURE DIAGRAM





ZEUS

N.C. Normalmente Chiusa bidirezionale (Con ingresso sotto l'otturatore si evita il colpo d'ariete).
N.C. Normally Closed bidirectional (With the flow coming from below the plug you avoid water hammering).

CON INGRESSO DEL FLUIDO SOTTO L'OTTURATORE WITH THE FLOW FROM BELOW THE PLUG

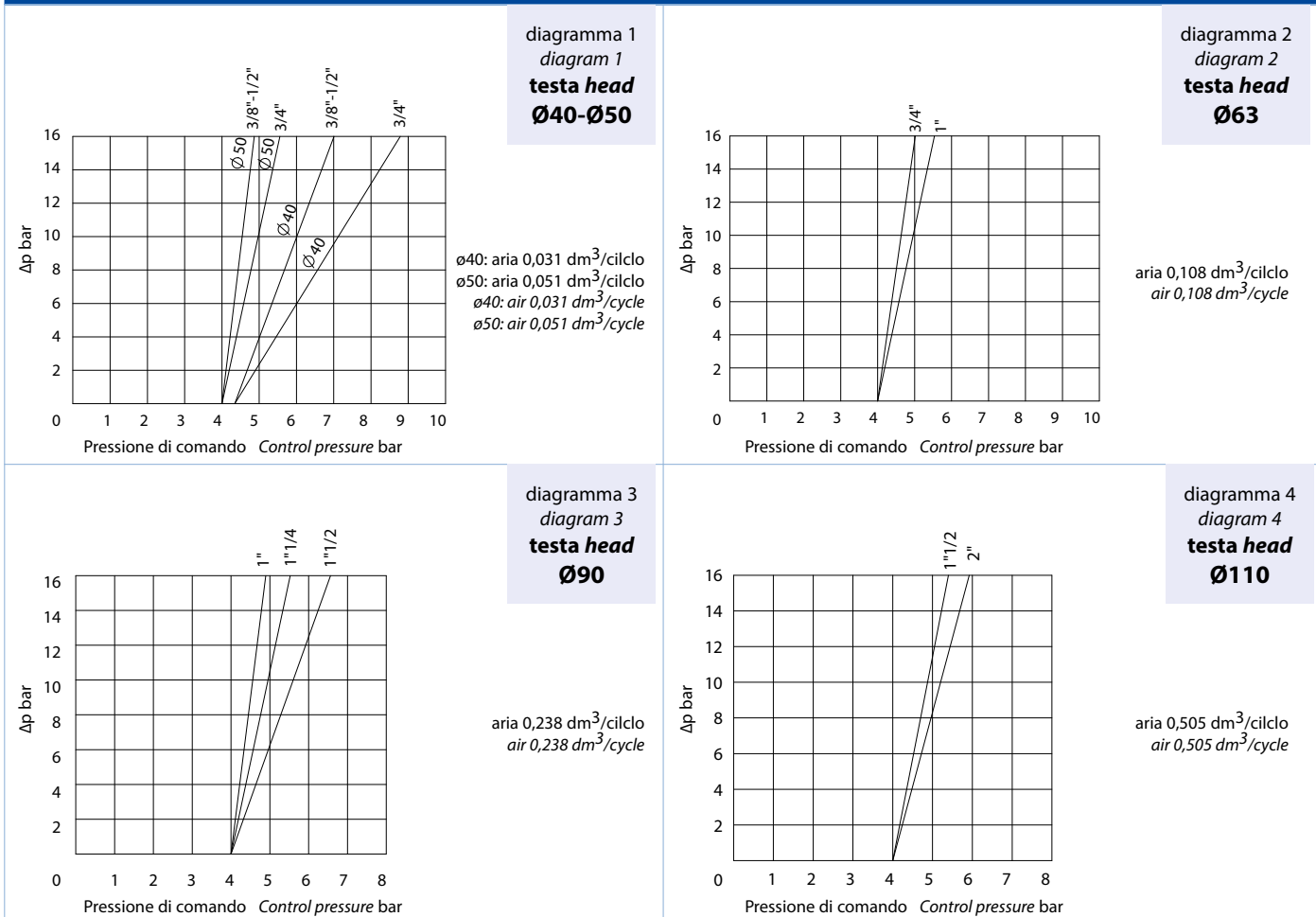
DN [mm]	Filettatura Threading	CODICE BRONZO CODE BRONZE	Kv m ³ /h	Ø Testa comando Ø Control head	P comando bar P control bar		P intercettata P operating ΔP max. bar	Peso Weight Kg.	KIT OTTURATORE DI RICAMBIO PLUG SPARE KIT	KIT TESTA DI RICAMBIO HEAD SPARE KIT
					Min	Max				
15	3/8"	J9SPG1403	4,5	40	4,2	10	16	1,1	KGJP2303	J9SPG14R3
15	3/8"	J9SPG1603	4,9	50	4	10	16	1,1	KGJP2003	J9SPG16R3
15	1/2"	J9SPG1404	5,3	40	4,2	10	16	1	KGJP2303	J9SPG14R4
15	1/2"	J9SPG1604	5,7	50	4	10	16	1	KGJP2003	J9SPG16R4
20	3/4"	J9SPG1405	9,2	40	4,2	10	8	1,2	KGJP2305	J9SPG14R5
20	3/4"	J9SPG1605	10,5	50	4	10	10	1,2	KGJP2005	J9SPG16R5
20	3/4"	J9SPG1805	10,8	63	4	10	16	1,2	KGJP2005	J9SPG18R5
25	1"	J9SPG1806	20	63	4	10	11	1,6	KGJP2006	J9SPG18R6
25	1"	J9SPG2106	20	90	4	8	16	1,7	KGJP2106	J9SPG21R6
32	1"1/4	J9SPG2107	29	90	4	8	14	3	KGJP2107	J9SPG21R7
40	1"1/2	J9SPG2108	46	90	4	8	11	3,4	KGJP2108	J9SPG21R8
40	1"1/2	J9SPG2308	46,5	110	4	8	16	4	KGJP2108	J9SPG23R8
50	2"	J9SPG2309	67	110	4	8	10	5,8	KGJP2109	J9SPG23R9

Il kit testa di ricambio comprende tutto l'articolo meno il corpo valvola.
 The "piloting head replacement Kit" includes the complete item without the valve body only.

Il kit otturatore di ricambio comprende l'otturatore e le guarnizioni necessarie.
 The shutter "replacement Kit" includes the shutter and the necessary seals.

Per la testa Ø40 non è disponibile la bassetta Namur cod. KBNJ0001.
 For actuator Ø40 namur plate KBNJ0001 is not available.

CON INGRESSO DEL FLUIDO SOPRA L'OTTURATORE WITH THE FLOW FROM ABOVE THE PLUG



Nei diagrammi le linee tratteggiate indicano le versioni disponibili a richiesta. In the diagrams, the dash lines indicate versions available on request.



ZEUS

N.C. Normalmente Chiusa con ingresso sopra l'otturatore.

N.C. Normally Closed with the flow from above the plug.

DN [mm]	Filettatura Threading	CODICE BRONZO CODE BRONZE	Kv m ³ /h	Ø Testa comando Ø Control head	P comando bar P control bar Min Max	P intercettata P operating ΔP max. bar	Peso Weight Kg.	KIT OTTURATORE DI RICAMBIO PLUG SPARE KIT	KIT TESTA DI RICAMBIO HEAD SPARE KIT
15	3/8"	J9CPG1403	4,5	40	2,5 10	diagram n° 5	1	KGJP2303	J9CPG14R3
15	3/8"	J9CPG1603	4,9	50	1,8 10	diagram n° 5	1	KGJP2003	J9CPG16R3
15	1/2"	J9CPG1404	5,3	40	2,5 10	diagram n° 5	1	KGJP2303	J9CPG14R4
15	1/2"	J9CPG1604	5,7	50	1,8 10	diagram n° 5	1	KGJP2003	J9CPG16R4
20	3/4"	J9CPG1405	9,2	40	2,5 10	diagram n° 5	1,2	KGJP2305	J9CPG14R5
20	3/4"	J9CPG1605	10,5	50	1,8 10	diagram n° 5	1,2	KGJP2005	J9CPG16R5
25	1"	J9CPG1806	20	63	1,8 10	diagram n° 6	1,6	KGJP2006	J9CPG18R6
32	1 1/4"	J9CPG2107	29	90	1,8 8	diagram n° 7	3	KGJP2107	J9CPG21R7
40	1 1/2"	J9CPG2108	46	90	1,8 8	diagram n° 7	3,7	KGJP2108	J9CPG21R8
40	1 1/2"	J9CPG2308	46,5	110	1,8 8	diagram n° 8	4,6	KGJP2108	J9CPG23R8
50	2"	J9CPG2109	59	90	1,8 8	diagram n° 7	4,4	KGJP2109	J9CPG21R9
50	2"	J9CPG2309	67	110	1,8 8	diagram n° 8	5,6	KGJP2109	J9CPG23R9

Il kit testa di ricambio comprende tutto l'articolo meno il corpo valvola.

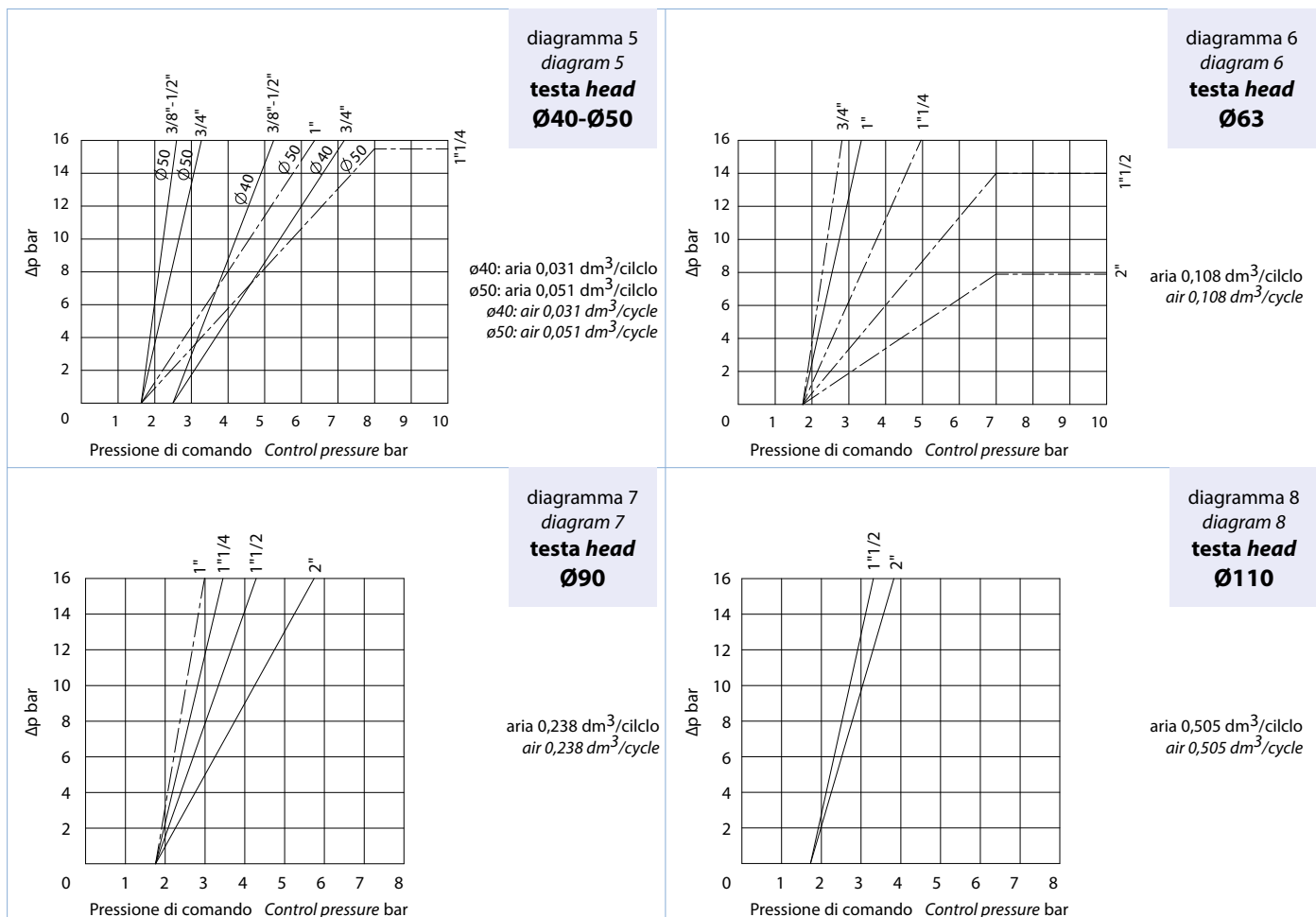
The "piloting head replacement Kit" includes the complete item without the valve body only.

Il kit otturatore di ricambio comprende l'otturatore e le guarnizioni necessarie.

The shutter "replacement Kit" includes the shutter and the necessary seals.

Per la testa Ø40 non è disponibile la basetta Namur cod. KBNJ0001.

For actuator Ø40 namur plate KBNJ0001 is not available.



Nei diagrammi le linee tratteggiate indicano le versioni disponibili a richiesta. *In the diagrams, the dash lines indicate versions available on request.*



ZEUS

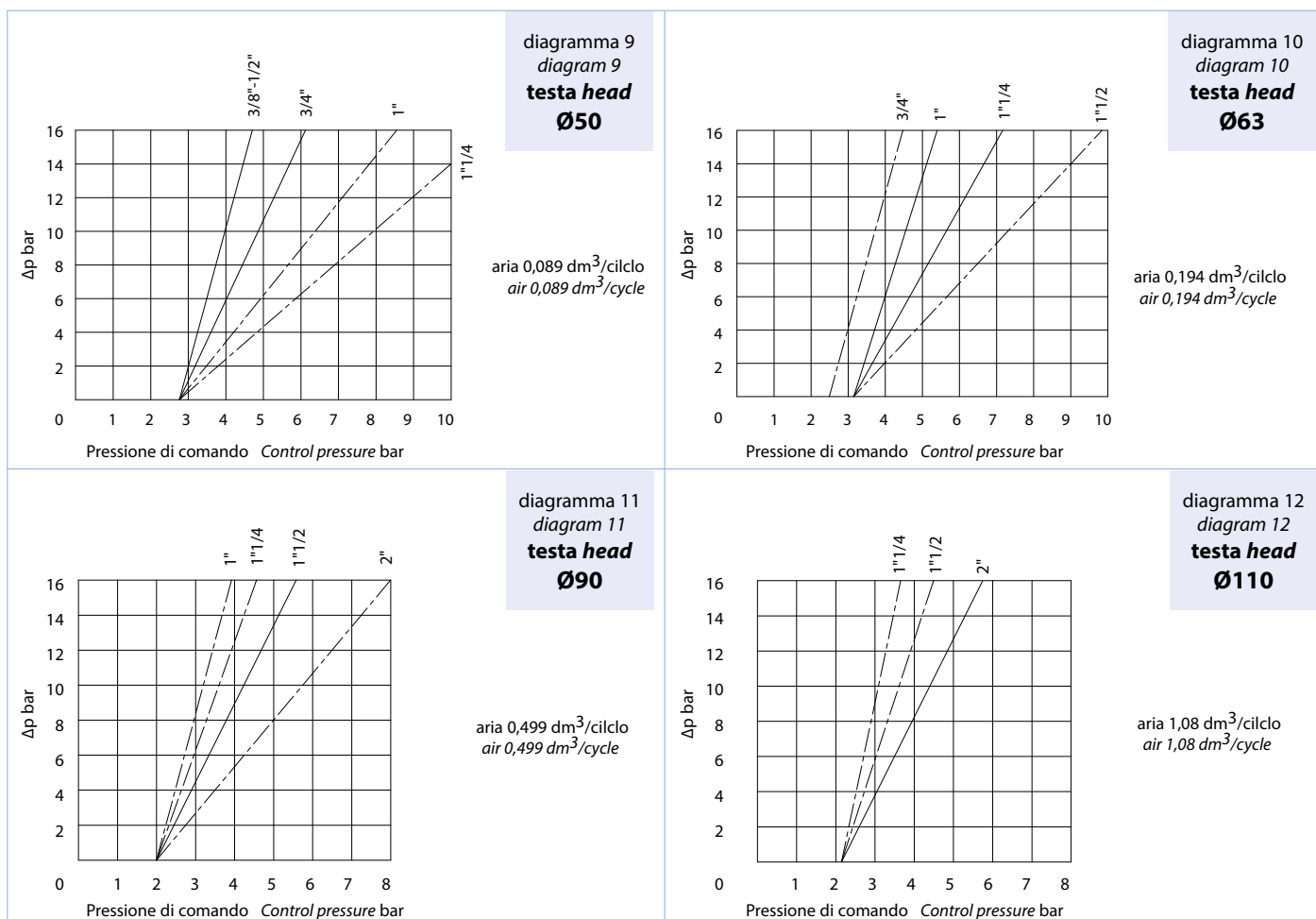
N.A. Normalmente Aperta con ingresso sotto l'otturatore

N.O. Normally Open with flow from below the plug

DN [mm]	Filettatura Threading	CODICE BRONZO CODE BRONZE	Kv m ³ /h	Ø Testa comando Ø Control head	P comando bar P control bar		P intercettata P operating ΔP max. bar	Peso Weight Kg.	KIT OTTURATORE DI RICAMBIO PLUG SPARE KIT	KIT TESTA DI RICAMBIO HEAD SPARE KIT
					Min	Max				
15	3/8"	J9APG1603	4,9	50	2,8	10	diagram n° 9	1	KGJP2003	J9APG16R3
15	1/2"	J9APG1604	5,7	50	2,8	10	diagram n° 9	1	KGJP2003	J9APG16R4
20	3/4"	J9APG1605	10,5	50	2,8	10	diagram n° 9	1,2	KGJP2005	J9APG16R5
25	1"	J9APG1806	20	63	3,2	10	diagram n° 10	1,6	KGJP2006	J9APG18R6
32	1 1/4"	J9APG1807	28,5	63	3,2	10	diagram n° 10	2	KGJP2007	J9APG18R7
40	1 1/2"	J9APG2108	46	90	2	8	diagram n° 11	3,7	KGJP2108	J9APG21R8
50	2"	J9APG2309	67	110	2,2	8	diagram n° 12	5,6	KGJP2109	J9APG23R9

Il kit testa di ricambio comprende tutto l'articolo meno il corpo valvola.
The "piloting head replacement Kit" includes the complete item without the valve body only.

Il kit otturatore di ricambio comprende l'otturatore e le guarnizioni necessarie.
The shutter "replacement Kit" includes the shutter and the necessary seals.



Nei diagrammi le linee tratteggiate indicano le versioni disponibili a richiesta. *In the diagrams, the dash lines indicate versions available on request.*



ZEUS

Doppio effetto bidirezionale

Double acting bidirectional

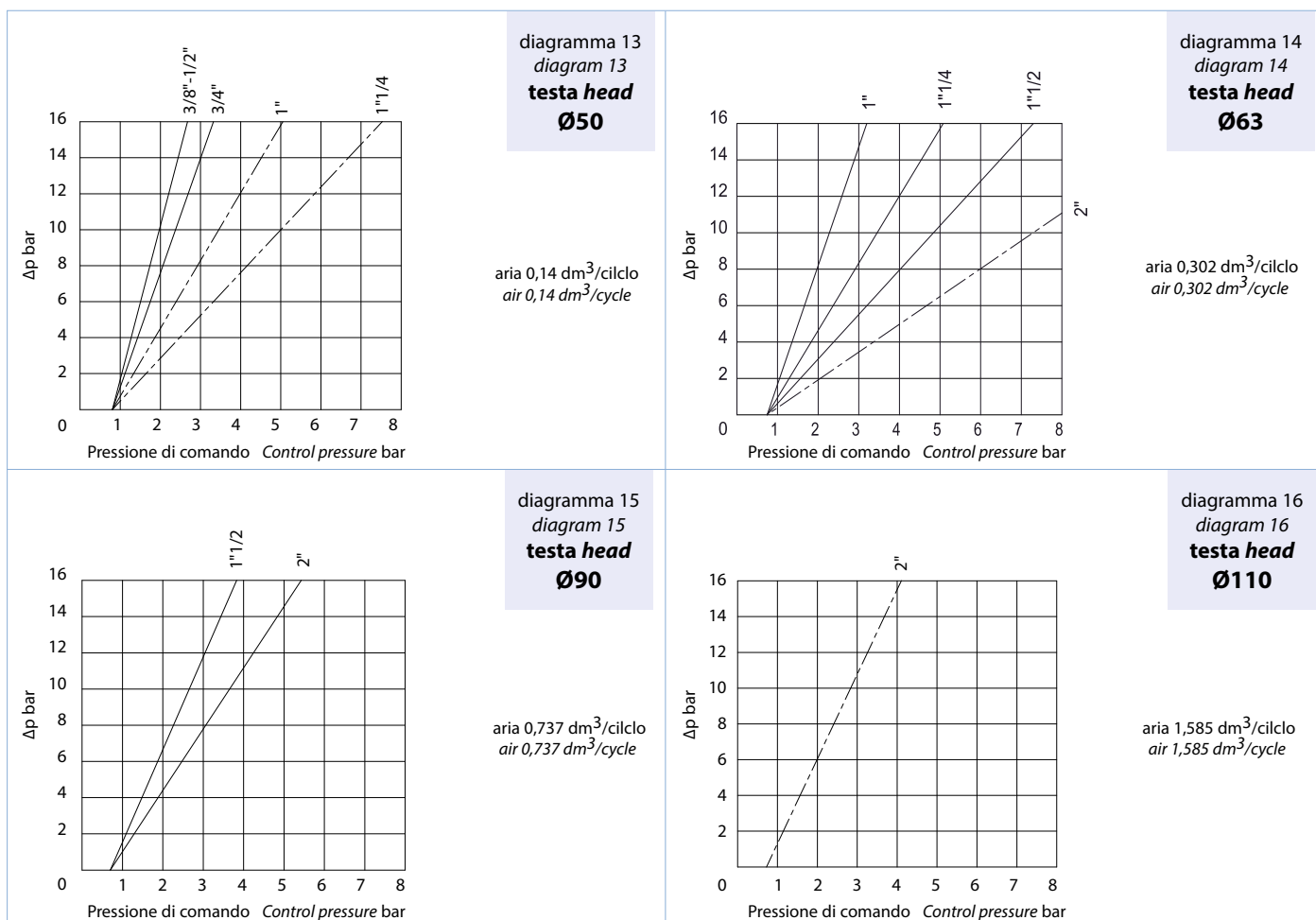
DN [mm]	Filettatura Threading	CODICE BRONZO CODE BRONZE	Kv m ³ /h	Ø Testa comando Ø Control head	P comando bar P control bar		P intercettata P operating ΔP max. bar	Peso Weight Kg.	KIT OTTURATORE DI RICAMBIO PLUG SPARE KIT	KIT TESTA DI RICAMBIO HEAD SPARE KIT
					Min	Max				
15	3/8"	J9DPG1603	4,9	50	0,8	8	diagram n° 13	1	KGJP2003	J9DPG16R3
15	1/2"	J9DPG1604	5,7	50	0,8	8	diagram n° 13	1	KGJP2003	J9DPG16R4
20	3/4"	J9DPG1605	10,5	50	0,8	8	diagram n° 13	1,2	KGJP2005	J9DPG16R5
25	1"	J9DPG1806	20	63	0,8	8	diagram n° 14	1,6	KGJP2006	J9DPG18R6
32	1"1/4	J9DPG1807	28,5	63	0,8	8	diagram n° 14	1,9	KGJP2007	J9DPG18R7
40	1"1/2	J9DPG1808	35	63	0,8	8	diagram n° 14	2,3	KGJP2008	J9DPG18R8
40	1"1/2	J9DPG2108	46	90	0,8	8	diagram n° 15	3,6	KGJP2108	J9DPG21R8
50	2"	J9DPG2109	59	90	0,8	8	diagram n° 15	4,3	KGJP2009	J9DPG21R9

Il kit testa di ricambio comprende tutto l'articolo meno il corpo valvola.

The "piloting head replacement Kit" includes the complete item without the valve body only.

Il kit otturatore di ricambio comprende l'otturatore e le guarnizioni necessarie.

The shutter "replacement Kit" includes the shutter and the necessary seals.



Nei diagrammi le linee tratteggiate indicano le versioni disponibili a richiesta.

In the diagrams, the dash lines indicate versions available on request.



ACCESSORI ARES E ZEUS ARES AND ZEUS ACCESSORIES

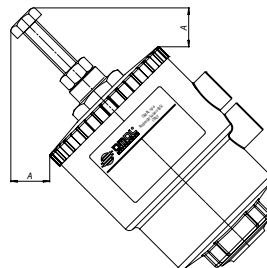
Limitatore della corsa

Consente di limitare la corsa dell'otturatore valvola in apertura e quindi di regolare la portata.

Disponibile per tutte le versioni. Nelle versioni semplice effetto normalmente aperte può essere utilizzato anche come comando manuale di emergenza.

Stroke limiter

It allows to limit the plug run in opening phase, therefore it regulates the flow. Available on all versions. In spring return normally open version it can be used as an emergency control



Comando Control	A mm	Codice Code
Ø 50	25,5	KLJL0016
Ø 63	21,5	KLJL0018
Ø 90	5,2	KLJL0021
Ø 110	5,9	KLJL0023

Non disponibile con testa Ø 40
Not available with Ø 40 head

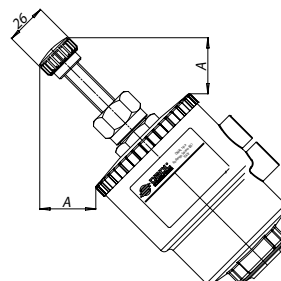
Comando manuale di emergenza

Consente di effettuare l'apertura della valvola in caso di emergenza (mancanza di fluido di pilotaggio, guasto all'impianto, mancanza di segnale di pilotaggio ecc..)

Disponibile per tutte le valvole nelle versioni normalmente chiuse.

Emergency manual override

It allows to open the valve in emergency cases (lack of pilot fluid, machinery damaged, lack of piloting signal)
It is available on all normally closed valves.



Comando Control	A mm	Codice Code
Ø 50	35,8	KLJA0016
Ø 63	35,8	KLJA0018
Ø 90	29,5	KLJA0021
Ø 110	29,5	KLJA0023

Non disponibile con testa Ø 40
Not available with Ø 40 head

Elettrovalvola di comando

Elettropilota 3/2 per il montaggio diretto.

Corpo e bobina orientabili sui 360°

Comando manuale standard.

Elettrovalvola (NAMUR) predisposta per la selezione tra la funzione 5/2 e 3/2 che si realizza montando la corrispondente basetta (entrambe fornite).

Comando manuale standard.

Temperatura ambiente da -10°C a +50°C

Control solenoid valve

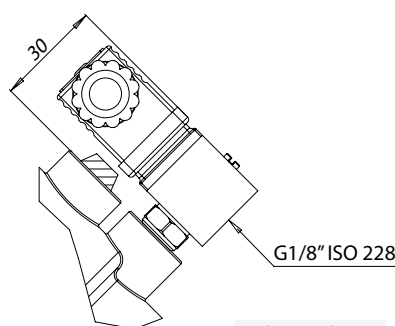
Electro-pilot 3/2 for direct assembling.

Body and reel positionable at 360°.

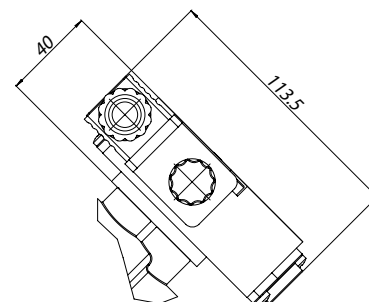
Standard manual control.

Solenoid valve (NAMUR) sets for selection between function 5/3 or 3/2, achievable by mounting the corresponding plate (both supplied).

Room temperature: from -10°C to +50°C.



Elettropilota
Electro-pilot
3/2



Elettrovalvola
Solenoid valve
3/2 - 5/2

Voltaggio Voltage	24 Vac	115 Vac	230 Vac	24 Vdc
Elettropilota Electro-pilot	EP415024	EP415110	EP415220	EP412024

Voltaggio Voltage	24 Vac	115 Vac	230 Vac	24 Vdc
Elettrovalvola NAMUR* NAMUR Solenoid valve*	ER8188A2	ER8188A4	ER8188A5	ER8188C2

Interfaccia NAMUR NAMUR interface	KBNJ0001 Non disponibile con testa Ø 40 Not available with Ø 40 head			
-----------------------------------	---	--	--	--

* Da utilizzare solo con interfaccia NAMUR. To be used only with NAMUR interface only.



ACCESSORI ARES E ZEUS ARES AND ZEUS ACCESSORIES

Box di segnalazione

Il box di segnalazione per il controllo della posizione aperto o chiuso con due finecorsa meccanici o induttivi é adatto al montaggio su tutta la serie di valvole con attuatori Ø50 - Ø63 - Ø90 - Ø110.

A richiesta sono disponibili i morsetti per collegare l'elettrovalvola e indicatori visivi tramite led.

Grado di protezione IP 65

Temperatura ambiente da -20°C a +70°C

Accesso cavo n°1 PG11

Materiale dell'involucro in poliammide con coperchio in polimetacrilato trasparente.

Limit switch box

The control box to check the open/close positions with two mechanical limit switches is suitable for assembling on all the range of valves with actuators Ø50 - Ø63 - Ø90 - Ø110.

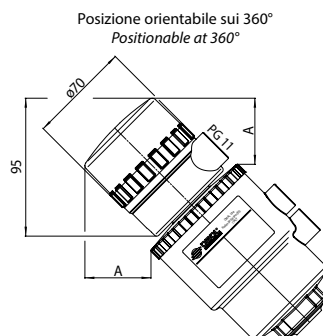
The terminals to connect the solenoid valve and the visual indicators provided with led are optional.

Level of protection: IP 65.

Room temperature: from -20° C to +70°C.

Access lead nr. 1 PG11.

Body material: polyamide (cap in transparent polymethacrylate).



Comando Control	A mm
Ø 50	52,1
Ø 63	47,5
Ø 90	37,7
Ø 110	29,5

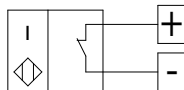
TIPI DI FINECORSA DISPONIBILI AVAILABLE LIMIT SWITCH

Interruttori di finecorsa induttivi NAMUR EExia

Tensione nominale: 8 Vdc

Consumo: azionato ≤1 mA; rilasciato ≥3 mA

Temperatura di funzionamento: da -20° C a +70° C



Inductive limit switches NAMUR EExia

Nominal voltage: 8 Vdc

Consumes: working ≤1mA; resting ≥3 mA

Working temperature: from -20°C to +70°C

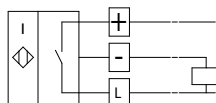
Configurazione Configuration	Codice Code
1 finecorsa: alto in posizione di valvola aperta 1 Limit switch at the top: open valve	KSIN9A0xx
1 finecorsa: basso in posizione di valvola chiusa 1 Limit switch at the bottom: close valve.	KSIN9C0xx
2 finecorsa valvola aperta e chiusa 2 Limit switch open and close valve	KSIN920xx

Interruttori finecorsa di prossimit 

Tensione nominale: 10÷30 Vdc

Consumo: 15 mA;

Temperatura di funzionamento: da -20° C a +70° C



Proximity limit switches

Nominal voltage: 10÷30 Vdc

Consumes: 15mA;

Working temperature: from -20°C to +70°C

Configurazione Configuration	Codice Code
1 finecorsa: alto in posizione di valvola aperta 1 Limit switch at the top: open valve	KS109A0xx
1 finecorsa: basso in posizione di valvola chiusa 1 Limit switch at the bottom: close valve.	KS109C0xx
2 finecorsa valvola aperta e chiusa 2 Limit switch open and close valve	KS10920xx

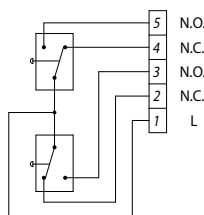
Interruttori di finecorsa meccanici

Mechanical limit switches

Finecorsa alto: valvola aperta
Limit switch at the top: open valve

Finecorsa basso: valvola chiusa
Limit switch at the bottom: close valve

Carico max. 5A 250 Vac;
1A 250 Vdc
Max. capacity 5A 250 Vac;
1A 250 Vdc



Configurazione Configuration	Codice Code
2 finecorsa 2 Limit switch	KSM0C20xx

xx = Ø testa di comando Ø control heads

16 = Ø 50
18 = Ø 63
21 = Ø 90
23 = Ø 110



ACCESSORI ARES E ZEUS ARES AND ZEUS ACCESSORIES

Tappo per finecorsa

Il tappo speciale, in materiale plastico trasparente, presenta due scanalature per poter fissare e regolare velocemente i finecorsa a contatto magnetico. I finecorsa sono provvisti di un LED interno visibile quando il finecorsa stesso è eccitato.

Sono disponibili finecorsa di tipo REED e ad effetto HALL con collegamento libero o già cablati M12.

Il tappo ha un grado di protezione IP68.

Attenzione: per permettere il corretto fissaggio nell'alloggiamento del finecorsa, l'indicatore visivo, quando la valvola è completamente aperta, non arriva all'estremità del tappo. I finecorsa devono essere regolati una volta installata la valvola in impianto.

Limit switch cap

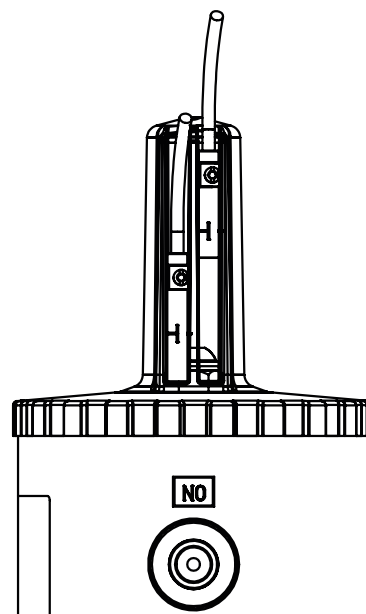
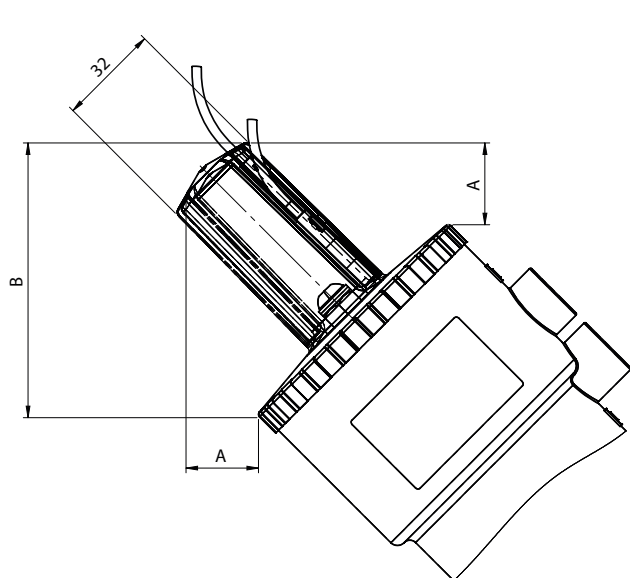
The special cap, made of transparent plastic material, has two grooves for fast attachment and adjustment of magnetic limit switches.

The limit switches have an internal LED visible when the limit switch is energized.

REED and HALL effect type limit switches are available with free connection or already wired M12.

The cap has an IP68 protection rating.

Attention: to enable proper fixing in the limit switch housing, the visual indicator, when the valve is fully open, does not reach the end of the plug. The limit switches must be set once the valve is installed in the system.



Il kit non comprende i finecorsa, vedere di seguito quelli disponibili.

Kit does not include limit switches, see below those available.

Codice kit Kit code	Dimensione testa Head size	A [mm]	B [mm]
KFJM16	Ø 50	30	77
KFJM18	Ø 63	26	87
KFJM21	Ø 90	15	97
KFJM23	Ø 110	8	107



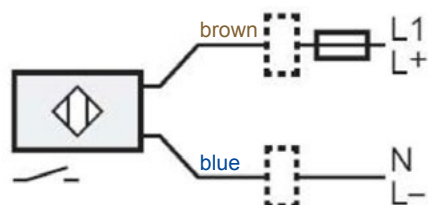
ACCESSORI ARES E ZEUS ARES AND ZEUS ACCESSORIES

TIPI DI FINECORSA DISPONIBILI AVAILABLE LIMIT SWITCH

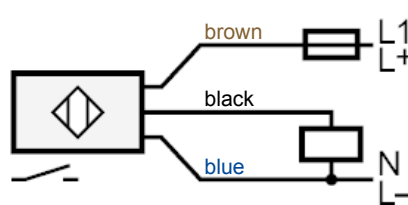
Modello elettrico <i>Electrical design</i>	DATI TECNICI FINECORSA		LIMIT SWITCH TECHNICAL DATA			
	REED (PNP/NPN)	REED (PNP)	HALL (PNP)		HALL (PNP)	
Tipo di contatto <i>Type of contact</i>	N.O.		N.O.		N.O.	
Tensione alimentazione <i>Operating voltage</i>	V	5-120 AC/DC	5-50 AC/DC		10-30 DC	
Permanente capacità di corrente dell'uscita di commutazione AC <i>Permanent current rating of switching output AC</i>	mA	100	350		-	
Permanente capacità di corrente dell'uscita di commutazione DC <i>Permanent current rating of switching output DC</i>	mA	100	500		100	
Grado di protezione <i>Degree of protection</i>	IP 67		IP 67		IP 69K	
Temperatura ambiente <i>Ambient temperature</i>	°C	-25/70	-25/+70		-25/+85	
	°F	-13÷158	-13 ÷158		-13/185	
Numero fili <i>Wire number</i>	2		3		3	
Lunghezza filo <i>Wire length</i>	m	2	2	0,3	2	0,3
	ft	6,56	6,56	1	6,56	1
Collegamento <i>Mounting type</i>	Diretto <i>Direct</i>		Diretto <i>Direct</i>		M12	
Categoria Atex <i>Atex category</i>	-		-		II 3D Ex tc IIIC T125°C Dc C	
Certificazioni <i>Certifications</i>	CE/UKCA/UL/EAC/CCC		CE/UKCA/UL/EAC/CCC		CE/UKCA/UL/EAC	
Codice <i>Code</i>	FM7B7200	FM7B9200	FM7B9112	FM7C3200	FM7C3112	FM7A3200 FM7A3112
Materiale <i>Material</i>			PA / Inox			

Cablaggio finecorsa *Limit switch wiring*

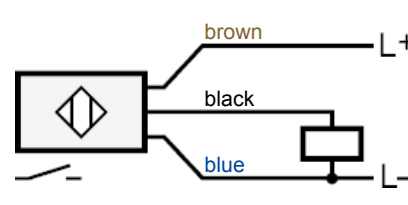
REED (2 fili / 2 wires)



REED (3 fili / 3 wires)



HALL (3 fili / 3 wires)



In fase d'ordine indicare il tipo e la quantità di finecorsa desiderato (uno o due). Per le valvole Atex sono disponibili solo i finecorsa FM7A3200 e FM7A3112.

When ordering, indicate the type and quantity of limit switch desired (one or two). Only FM7A3200 and FM7A3112 limit switches are available for Atex valves.



DNV

FULL QUALITY ASSURANCE CERTIFICATE

Certificate No.: CS39822 Initial date: 01 January, 2023 Validity: 01 January, 2023 – 31 December, 2025
This certificate consists of 2 pages

This is to certify that the quality system of:
OMAL S.p.A.
Via Ponte Nuovo, 11 - 25050 Rodengo Saiano (BS) - Italy

has been assessed and found to comply with respect to the conformity assessment procedure described in:
ANNEX III MODULE H OF DIRECTIVE 2014/68/EU ON PRESSURE EQUIPMENT

This certificate is valid for the following scope:

Type of Pressure Equipment **Pressure Accessory**
Product Name **Ball valves, high pressure ball valves, butterfly valves, pneumatic valves.**

Place and date:
Vimercate, 03 December, 2022

Check Validity

For the issuing office:
Notified Body 4666, Italy
DNV Business Assurance Italy S.r.l.

Nicola Privato
Management Representative

Lack of fulfilment of conditions as set out in the Certification Agreement may render this Certificate invalid.
NOTIFIED BODY 4666, DNV Business Assurance Italy S.r.l. Via Energy Park, 14, 20071 Vimercate (MB), Italy. Tel: 039 58 99 905. www.dnv.com ICP4-S-0-PED-0 rev.0

▲ PED

Certificazione del Sistema di Qualità applicato per la progettazione, fabbricazione, ispezione finale e la prova di valvole industriali in accordo con i requisiti della Direttiva PED.

OMAL operated Quality Management System Certificate for the design, manufacture, final inspection and tests of industrial valves in accordance with PED Directives

INERIS

Appareil non électrique destiné à être utilisé en atmosphères explosibles
Non electrical equipment intended for use in potentially explosive atmospheres
Apparecchi non elettrici destinati ad essere utilizzati in atmosfera potenzialmente esplosiva

Directive 2014/34/EU
Direttiva 2014/34/UE

ACCUSÉ DE RECEPTION D'UN DOSSIER TECHNIQUE ACKNOWLEDGE RECEIPT OF TECHNICAL DOCUMENTATION AVVISO DI RICEVIMENTO DEL FASCICOLO TECNICO

Appareil / Equipment / Apparecchiatura: **PNEUMATIC VALVES**

Type(s) / Type(s) / Tipo(i): **ANGLE SEAT VALVES ARES-ATEMA-ZEUS / PNEUMATIC COAXIAL VALVES VP-VP EVO**

Marquage / Marking / Marcatura: **II 2 GD**

Dépositaire / Applicant / Richiedente: **OMAL S.p.A.**
Via Ponte Nuovo 11
I- 25050 Rodengo Saiano (BS)

L'INERIS, organisme notifié et INERIS, notified body and identified L'INERIS, organismo notificato e identificato
identifié sous le numéro 0080, under number 0080, in accordance with con il n.0080 conformemente agli articoli
conformément aux articles 17 et 21 de la articles 17 and 21 of Council Directive 17 e 21 della Direttiva 2014/34/UE del
Directive de Conseil 2014/34/UE of the 26 February 2014, Consiglio dell'Unione Europea del 26 febbraio
du 26 février 2014, accuse réception acknowledges receipt of file according 2014, conferma il ricevimento del fascicolo
du dossier conformément à la to the procedure described chapter 3, in conformità alla procedura prevista nella
procédure décrite au chapitre 3, article 13 b) ii) of the Directive, numero 3, articolo 13 b) ii) della Direttiva,
articolo 13 b) ii) de la Directive.

La documentation technique référencée : The technical documentation referenced : La documentazione tecnica di riferimento :
VAP-19 dated 10/10/2019 VAP-19 dated 10/10/2019 VAP-19 dated 10/10/2019
est consignée sous le numéro d'enregistrement : is consigned under the reference : è depositata con il numero di registrazione :
n° INERIS-EQEN 035242/19, no INERIS-EQEN 035242/19, n° INERIS-EQEN 035242/19,
Dans le cadre de cet enregistrement, Within the scope of the recording, Nel quadro di questa registrazione,
INERIS n'a pas examiné le contenu INERIS did not examine the content INERIS non ha esaminato il contenuto
de la documentation technique. of the technical documentation. della documentazione tecnica.

Date de fin de validité : Validity completion date : Data di fine di validità :
2029.11.07 2029.11.07 2029.11.07

Le Directeur Général de INERIS, The Chief Executive Officer of INERIS, Il Direttore generale dell' INERIS,
Par délégation, By delegation, Per Delega,

En Document ne peut être repris que dans son intégralité / This technical document may be reproduced / Questo documento può essere riprodotto solo integralmente

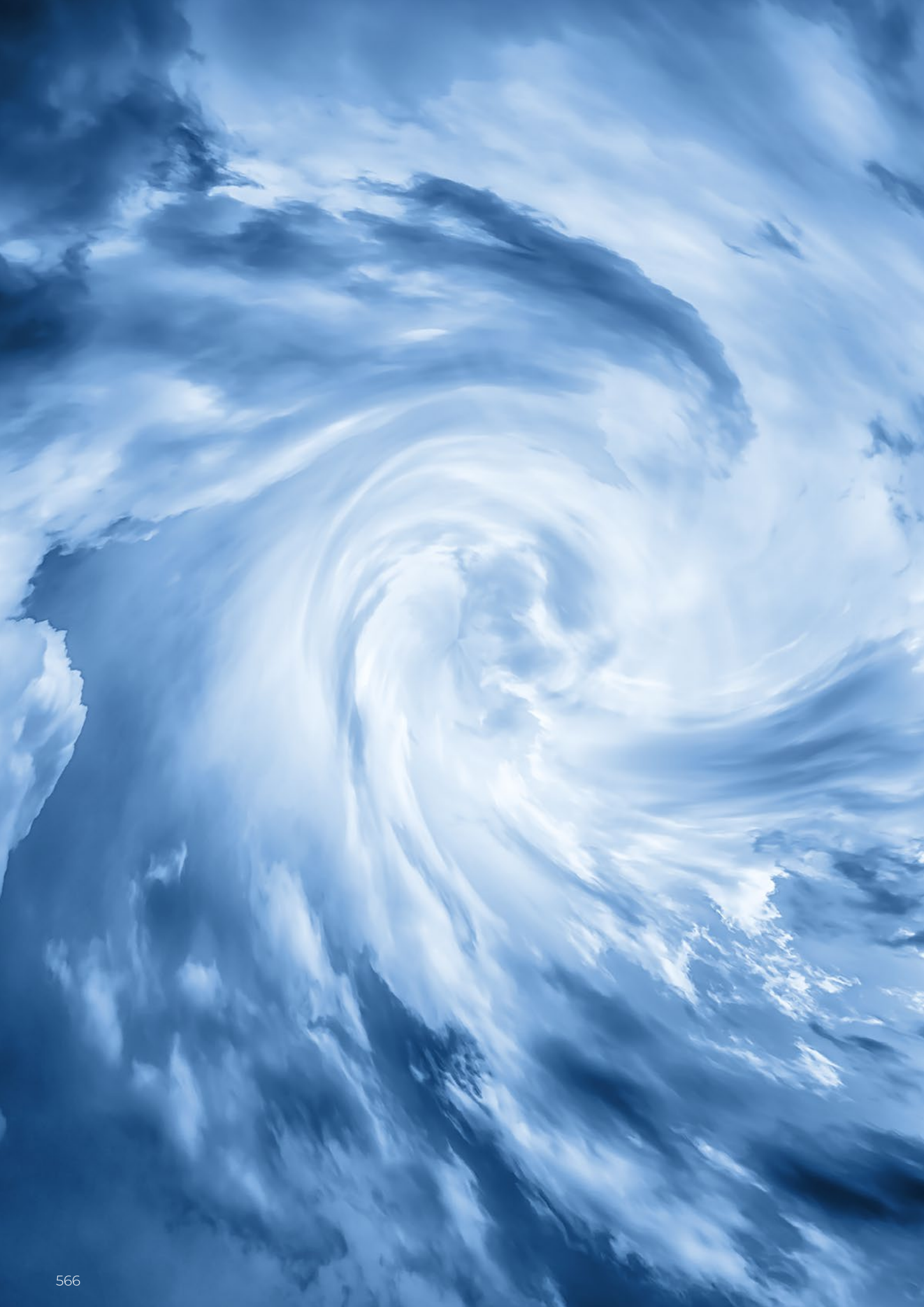
Parc Technologique Alata BP 2 F-42050 Verneuil-en-Halatte
Tel : +33(0)3 44 55 66 77 Fax : +33(0)3 44 55 66 99 Internet : www.ineris.fr
Institut national de Recherche Industrielle et de Sécurité
Établissement public à caractère industriel et commercial - RCS Compagnie 381 964 501 - Siret 381 964 501 0009 - APE 7120B - TVA Intracomm FR 73 381 964 921

▲ ATEX

Dichiarazione che il Sistema di Qualità applicato per la progettazione, fabbricazione, ispezione finale e la prova di valvole industriali è in accordo con i requisiti della Direttiva ATEX per apparecchiature destinate all'impiego in ambienti con atmosfera potenzialmente esplosiva.

Declaration that the Quality Management System operated by OMAL for the design, manufacture, final inspection and tests of industrial valves is in compliance with the Directive ATEX for equipment intended to be used in potentially explosive atmospheres.







4.

**ATTUATORI
PNEUMATICI**

***PNEUMATIC
ACTUATORS***



ATTUATORI PNEUMATICI · INDICE 1/3

Pag:

4 · AGO - Attuatori pneumatici

574



4.1 · AGO - Doppio effetto "DA" in alluminio

576

Doppio effetto: DA 08 (Nm) 578

Doppio effetto: DAN 15 (Nm) ÷ DAN 60 (Nm) 579

Doppio effetto: DAN 106 (Nm) ÷ DAN 720 (Nm) 580

Doppio effetto: DAN 960 (Nm) ÷ DAN 1920 (Nm) 581

Doppio effetto: DA 2880 (Nm) 582

Doppio effetto: DA 3840 (Nm) 583

Doppio effetto: DA 5760 (Nm) 584

Doppio effetto: DA 8000 (Nm) 585



4.2 · AGO - Semplice effetto "SR" in alluminio

586

Semplice effetto: SRN 15 (Nm) ÷ SRN 53 (Nm) 588

Semplice effetto: SRN 60 (Nm) ÷ SRN 360 (Nm) 589

Semplice effetto: SRN 480 (Nm) ÷ SRN 960 (Nm) 590

Semplice effetto: SR 1440 (Nm) 591

Semplice effetto: SR 1920 (Nm) 592

Semplice effetto: SR 2880 (Nm) 593

Semplice effetto: SR 4000 (Nm) 594



PNEUMATIC ACTUATORS · INDEX 1/3

Pag:

4 · AGO - Pneumatic actuators

574



4.1 · AGO - Aluminium double acting "DA" type

576

Double acting: DA 08 (Nm)

578

Double acting: DAN 15 (Nm) ÷ DAN 60 (Nm)

579

Double acting: DAN 106 (Nm) ÷ DAN 720 (Nm)

580

Double acting: DAN 960 (Nm) ÷ DAN 1920 (Nm)

581

Double acting: DA 2880 (Nm)

582

Double acting: DA 3840 (Nm)

583

Double acting: DA 5760 (Nm)

584

Double acting: DA 8000 (Nm)

585



4.2 · AGO - Aluminium spring return "SR" type

586

Spring return: SRN 15 (Nm) ÷ SRN 53 (Nm)

588

Spring return: SRN 60 (Nm) ÷ SRN 360 (Nm)

589

Spring return: SRN 480 (Nm) ÷ SRN 960 (Nm)

590

Spring return: SR 1440 (Nm)

591

Spring return: SR 1920 (Nm)

592

Spring return: SR 2880 (Nm)

593

Spring return: SR 4000 (Nm)

594



ATTUATORI PNEUMATICI · INDICE 2/3

Pag:



4.3 · **AGO HANDWHEEL - "DA" con volantino integrato** **596**



4.4 · **AGO HANDWHEEL - "SR" con volantino integrato** **600**

4.5 · AGO HANDWHEEL - Schema di funzionamento 604



4.6 · **AGO CF8M - "DA" inox CF8M microfuso** **606**



4.7 · **AGO CF8M - "SR" inox CF8M microfuso** **608**



4.8 · **AGO 316 - "DA" inox 316 da barra** **610**



4.9 · **AGO 316 - "SR" inox 316 da barra** **612**



4.10 · **AGO A105 - "DA" acciaio al carbonio A105** **614**



4.11 · **AGO A105 - "SR" acciaio al carbonio A105** **616**



4.12 · **AGO TWO STAGE - Dosatore in alluminio** **618**

4.13 · Schema funzionamento attuatore pneumatico AGO doppio effetto "DA" 620

4.14 · Schema funzionamento attuatore pneumatico AGO semplice effetto "SR" 621



PNEUMATIC ACTUATORS · INDEX 2/3

Pag:



4.3 · **AGO HANDWHEEL - "DA" with integrated handwheel** **596**



4.4 · **AGO HANDWHEEL - "SR" with integrated handwheel** **600**

4.5 · *AGO HANDWHEEL - Working plane* **604**



4.6 · **AGO CF8M - "DA" type inox precision casting CF8M** **606**



4.7 · **AGO CF8M - "SR" type inox precision casting CF8M** **608**



4.8 · **AGO 316 - "DA" type inox 316 from solid bar** **610**



4.9 · **AGO 316 - "SR" type inox 316 from solid bar** **612**



4.10 · **AGO A105 - "DA" type carbon steel A105** **614**



4.11 · **AGO A105 - "SR" type carbon steel A105** **616**



4.12 · **AGO TWO STAGE - Aluminium two stage** **618**

4.13 · *Working plane pneumatic actuator AGO "DA" type* **620**

4.14 · *Working plane pneumatic actuator AGO "SR" type* **621**



ATTUATORI PNEUMATICI · INDICE 3/3

Pag:

4.15 · AGO Tabelle Componenti:

• AGO - Doppio effetto DA 08	622
• AGO - Doppio effetto DAN 15 ÷ DAN 1920	623
• AGO - Doppio effetto DA 2880	624
• AGO - Doppio effetto DA 3840	626
• AGO - Doppio effetto DA 5760	628
• AGO - Doppio effetto DA 8000	630
• AGO - Semplice effetto SRN 15 ÷ SRN 960	632
• AGO - Semplice effetto SR 1440	634
• AGO - Semplice effetto SR 1920	636
• AGO - Semplice effetto SR 2880	638
• AGO - Semplice effetto SR 4000	640
• AGO HANDWHEEL - "DA" con volantino: fino a DANV 1920	642
• AGO HANDWHEEL - "SR" con volantino: fino a SRNV 960	643
• AGO HANDWHEEL - "DA" con volantino: DANV 3840	644
• AGO HANDWHEEL - "SR" con volantino: SRNV 1920	646
• AGO CF8M - "DA" CF8M microfuso: DA 15 ÷ DA 30	648
• AGO CF8M - "DA" CF8M microfuso: DA 60 ÷ DA 480	649
• AGO CF8M - "SR" CF8M microfuso: SR 15	650
• AGO CF8M - "SR" CF8M microfuso: SR 30 ÷ SR 240	651
• AGO 316 - "DA" e "SR" 316 da barra	652
• AGO A105 - "DA" e "SR" A105 da barra	653
• AGO TWO STAGE - Attuatore pneumatico dosatore: DDN 30 ÷ DDN 480	654

4.16 · AGO - Versioni speciali a richiesta - doppio effetto "DA"	656
--	-----

4.17 · AGO - Versioni speciali a richiesta - semplice effetto "SR"	657
--	-----

4.18 · Accessori attuatori pneumatici AGO	658
---	-----

4.19 · Certificati attuatori pneumatici AGO 	660
--	-----



PNEUMATIC ACTUATORS · INDEX 3/3

Pag:

4.15 · AGO Components' Table:

• AGO - Double acting DA 08	622
• AGO - Double acting DAN 15 ÷ DAN 1920	623
• AGO - Double acting DA 2880	624
• AGO - Double acting DA 3840	626
• AGO - Double acting DA 5760	628
• AGO - Double acting DA 8000	630
• AGO - Spring return SRN 15 ÷ SRN 960	632
• AGO - Spring return SR 1440	634
• AGO - Spring return SR 1920	636
• AGO - Spring return SR 2880	638
• AGO - Spring return SR 4000	640
• AGO HANDWHEEL - "DA" with handwheel: up to DANV 1920	642
• AGO HANDWHEEL - "SR" with handwheel: up to SRNV 960	643
• AGO HANDWHEEL - "DA" with handwheel : DANV 3840	644
• AGO HANDWHEEL - "SR" with handwheel : SRNV 1920	646
• AGO CF8M - "DA" CF8M casting: DA 15 ÷ DA 30	648
• AGO CF8M - "DA" CF8M casting: DA 60 ÷ DA 480	649
• AGO CF8M - "SR" CF8M casting: SR 15	650
• AGO CF8M - "SR" CF8M casting: SR 30 ÷ SR 240	651
• AGO 316 - 316 from bar "DA" and "SR"	652
• AGO A105 - A105 from bar "DA" and "SR"	653
• AGO TWO STAGE - Two stage pneumatic actuator: DDN 30 ÷ DDN 480	654

4.16 · AGO - Special version on request - double acting "DA"	656
4.17 · AGO - Special version on request - spring return "SR"	657

4.18 · AGO Pneumatic actuators Accessories	658
--	-----

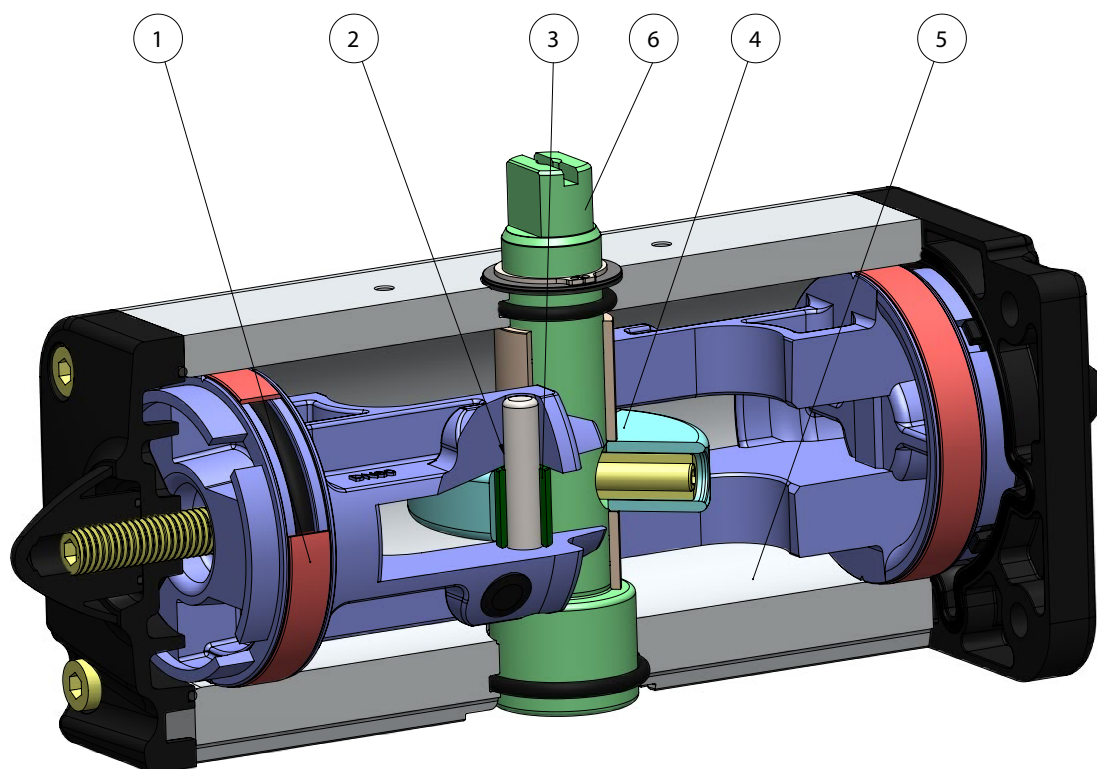
4.19 · AGO Pneumatic actuators Certificates 	660
--	-----



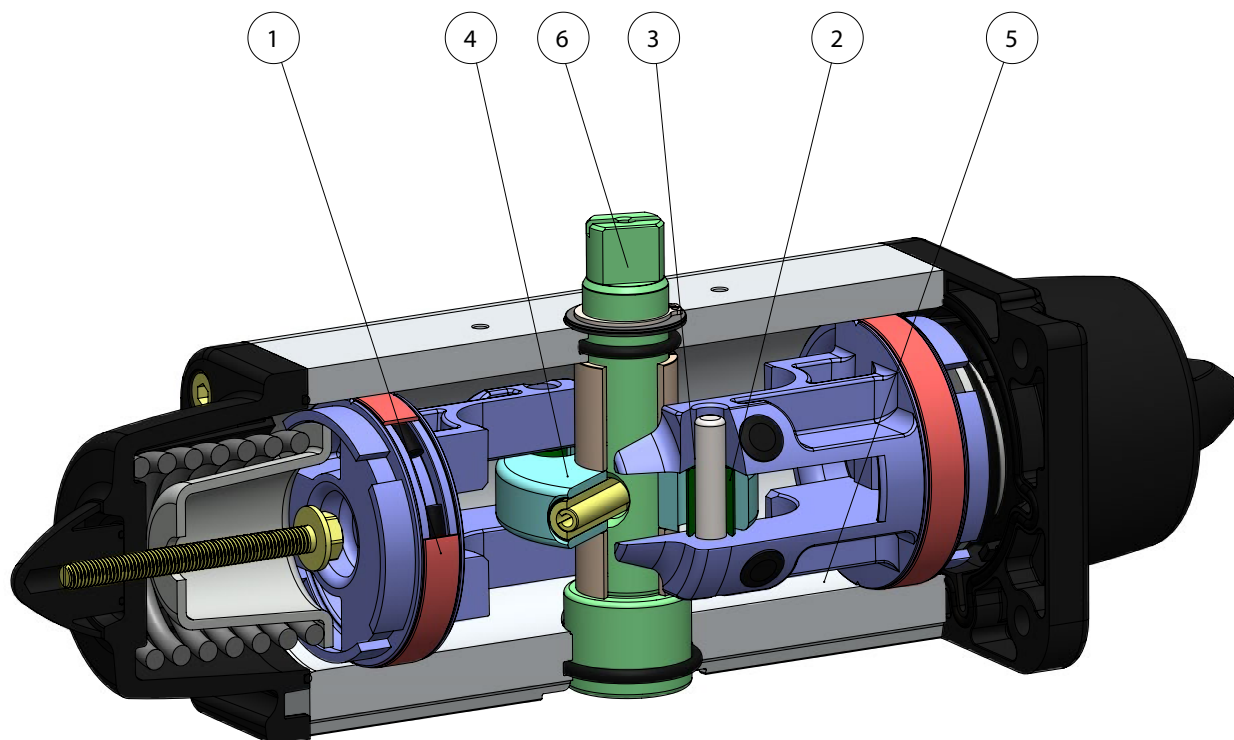
AGCO®

ATTUATORI PNEUMATICI PNEUMATIC ACTUATORS

DA DOPPIO EFFETTO *DOUBLE ACTING*



SR SEMPLICE EFFETTO *SPRING RETURN*





FEATURES & BENEFITS

1	<p>Fasce di tenuta e scorrimento energizzate autolubrificanti. <i>Energized and self-lubricated strips.</i></p>	<p>Minor attrito tra pistone e cilindro. <i>Less friction between piston and cylinder.</i></p> <p>Si evita l'incollaggio della guarnizione al cilindro anche dopo lunghi periodi di fermo. <i>It prevents the bonding of the seal to the cylinder even after long periods of inactivity.</i></p>
2	<p>Slot, bussole e spine con acciaio con durezza maggiore a 50 HRC. <i>Slots, bushes and pins made by steel with hardness higher than 50 HRC.</i></p>	<p>Maggior resistenza alle forze presenti all' interno dell'attuatore. <i>Higher resistance to the forces inside the actuator.</i></p>
3	<p>Attrito volvente tra slot e pistone. <i>Rolling friction between piston and slot.</i></p>	<p>Minor attrito. <i>Less friction.</i></p>
4	<p>Scotch yoke con attrito volvente(trasformazione del movimento lineare in movimento rotatorio mediante pistone e albero privo di ingranaggi). <i>Scotch yoke with rolling friction (transforming rotary motion into linear motion using piston and shaft without teeth/gears).</i></p>	<p>Minor attrito tra pistone e albero con conseguente minor usura dei pezzi. <i>Reduced friction between piston and shaft with consequently less wear on the relevant parts.</i></p> <p>Momento torcente potenziato in fase di apertura e chiusura. <i>Empowered Breakaway Torque (BTO & BTC).</i></p> <p>Minor ingombro rispetto agli attuatori pignone e cremagliera con conseguente minor spazio necessario. <i>Smaller volume/size than rack and pinion actuators (with the same torque) therefore less space required for installation.</i></p> <p>Minor peso rispetto agli attuatori pignone e cremagliera (-30% Kg/Nm) con conseguenti risparmi sulla realizzazione della struttura dell'impianto. <i>Less weight than the rack and pinion (-30% kg / Nm), with consequent savings on the construction sizing of the plant/equipment.</i></p> <p>Minor consumo d'aria rispetto agli attuatori pignone e cremagliera (-40% aria cm³/Nm doppio effetto e -20% aria cm³/Nm semplice effetto) con conseguente minor carico di lavoro del compressore o possibilità di utilizzo di un compressore con dimensioni ridotte. <i>Lower air consumption compared to the rack and pinion actuators (-40% air cm³/Nm for Double Acting and -20% air cm³/Nm for Spring Return) therefore less load on the compressor or the possibility of using a smaller compressor's size.</i></p>
5	<p>Cilindro rullato. <i>Rolled cylinder.</i></p>	<p>Minor usura delle fascette energizzate grazie alla bassa rugosità della superficie. <i>Less wear of the energized ties thanks to the low roughness of the surface.</i></p>
6	<p>Albero Inox. <i>Stainless Steel shaft.</i></p>	<p>Maggiore resistenza alla corrosione. <i>Higher corrosion resistance.</i></p>
	<p>Interfaccia per elettrovalvole NAMUR integrata dal DAN15. <i>From sizes bigger than DAN15, NAMUR interface for solenoid valve is already integrated.</i></p>	<p>Non richiede alcuna basetta supplementare. <i>No need for extra plate.</i></p>
	<p>Processo produttivo interamente eseguito in OMAL. <i>100% in- house manufacturing process technology.</i></p>	<p>Massimo controllo in tutte le fasi di lavorazione. <i>Maximum control and accuracy in all the stages of the manufacturing process.</i></p>
	<p>Certificato ATEX. <i>ATEX Certificate.</i></p>	<p>Ne consente l'installazione in presenza di ambiente potenzialmente esplosivo. <i>Installation is allowed in a potential explosive environment.</i></p>
	<p>Certificato fino a SIL 3. <i>Up to SIL 3 certified.</i></p>	<p>Elevato livello di sicurezza funzionale garantito. <i>Guarantee of the high level of functional safety.</i></p>



AGO "DA"

ATTUATORE PNEUMATICO DOPPIO EFFETTO IN ALLUMINIO ALUMINIUM DOUBLE ACTING PNEUMATIC ACTUATOR



Design by
GIUGIARO DESIGN

DATI TECNICI

- Coppia da 8 Nm a 8000 Nm.
- Flangia d'attacco: EN ISO 5211
F03 - F04 - F05 - F07 - F10 - F12 - F14 - F16 - F25.
- Conforme alla EN 15714-3.
- Angolo di rotazione: 92° (-1°, +91°).
- Momento torcente: Direttamente proporzionale alla pressione di alimentazione; vedi tabella.
- In ciascun attuatore la cifra che segue la sigla DA/DAN corrisponde al valore della coppia di spunto in Nm. alla pressione di 5,6 bar.
- **A richiesta: Versione ATEX in conformità alla direttiva 2014/34/UE.**

CONDIZIONI DI ESERCIZIO

- Temperatura: da -20°C a +80°C. (Versioni speciali: alta temperatura: -20°C +150°C; bassa temperatura: -50°C +60°C).
- Pressione nominale: 5,6 bar; massima di esercizio 8,4 bar (7 bar per DA8000).
- Fluido di alimentazione: aria compressa filtrata secca non necessariamente lubrificata.
- In caso di lubrificazione usare olio non detergente, compatibile con NBR.

TECHNICAL FEATURES

- Torque from 8 Nm to 8000 Nm.
- Mounting flange according to EN ISO 5211
F03 - F04 - F05 - F07 - F10 - F12 - F14 - F16 - F25.
- In accordance with EN 15714-3
- Rotation angle: 92° (-1°, +91°)
- Torque: directly proportional to the air supply (see table).
- The code numbers after the DA/DAN letters, always correspond to the breakaway torque in Nm by 5,6 bar air supply.
- **On request: ATEX version in conformity with directive 2014/34/EU.**

WORKING CONDITIONS

- Temperature: from -20°C to +80°C. (Special versions: high temperature: -20°C +150°C; low temperature: -50°C +60°).
- Air supply: 5,6 bar; maximum 8,4 bar (7 bar for DA8000).
- Actuating media: filtered dry compressed air, not necessarily lubricated.
- In case of lubricated air, either non detergent oil, NBR compatible oil, must be used.



DIAGRAMMA DEL MOMENTO TORCENTE IN FUNZIONE DELL'ANGOLO DI ROTAZIONE OUTPUT TORQUE DIAGRAM RELATED TO ROTATION ANGLE

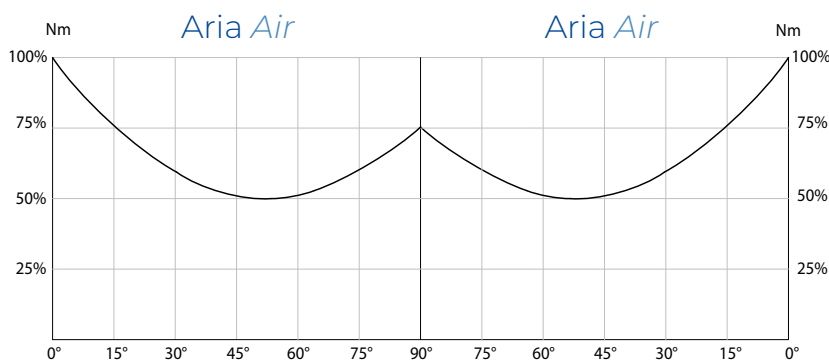
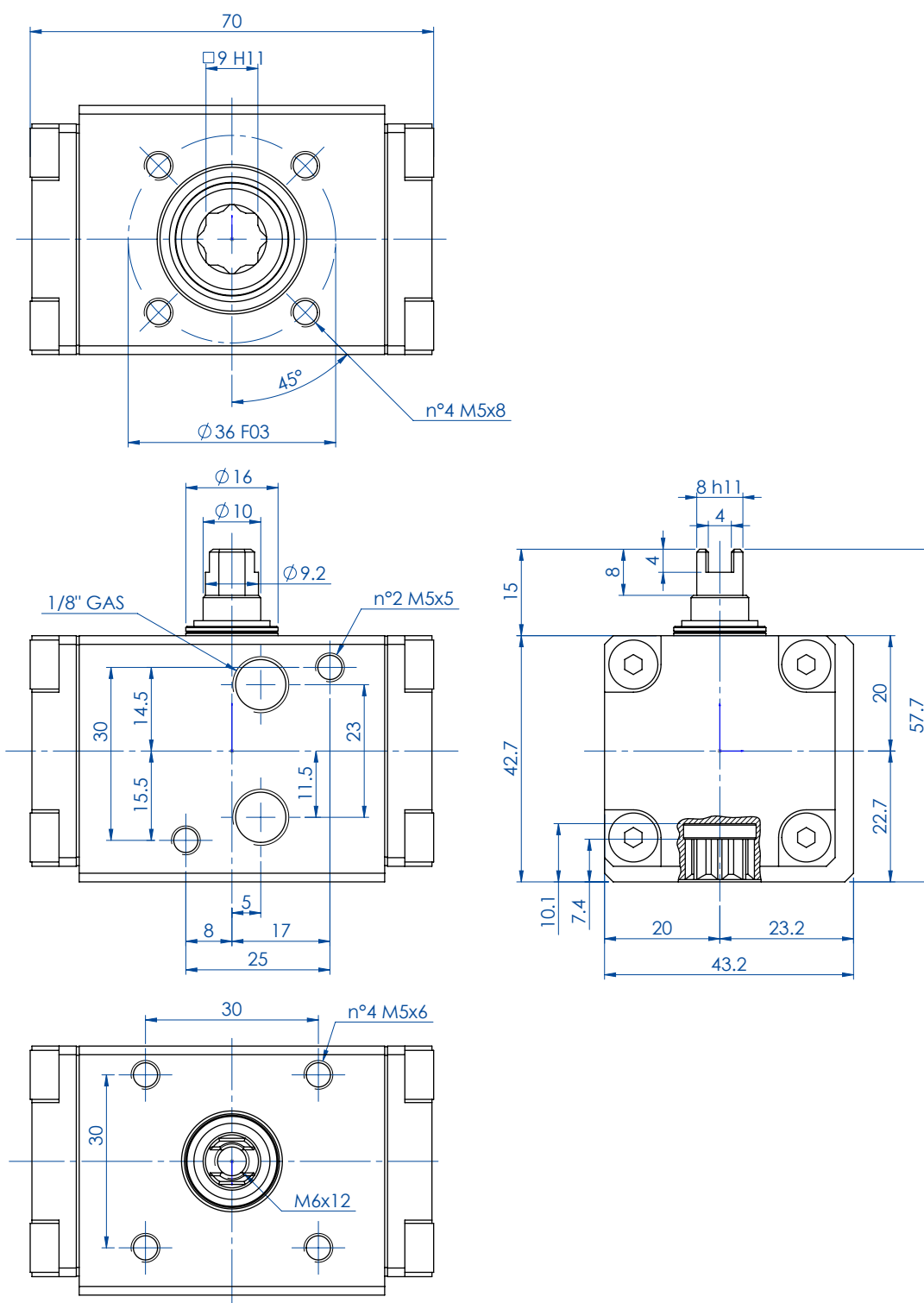


TABELLA DEL MOMENTI TORCENTI (Nm) OUTPUT TORQUE TABLE (Nm)		$\alpha^\circ =$ ANGOLO DI ROTAZIONE $\alpha^\circ =$ ROTATION ANGLE						
MISURA SIZE	α°	3 bar	4 bar	5 bar	5,6 bar	6 bar	7 bar	8 bar
DA 08	0°	3,8	5	6,3	7	7,5	8,8	10
	45°	1,9	2,5	3,1	3,5	3,8	4,4	5
	90°	3,8	5	6,3	7	7,5	8,8	10
DAN 15	0°	8	10,7	13,4	15	16,1	18,8	21,4
	50°	4	5,4	6,7	7,5	8	9,4	10,7
	90°	6,1	8,1	10,1	11,3	12,1	14,1	16,1
DAN 30	0°	16,1	21,4	26,8	30	32,1	37,5	42,9
	50°	8	10,7	13,4	15	16,1	18,8	21,4
	90°	12,1	16,1	20,1	22,5	24,1	28,1	32,1
DAN 45	0°	24,1	32,1	40,2	45	48,2	56,3	64,3
	50°	12,1	16,1	20,1	22,5	24,1	28,1	32,1
	90°	18,1	24,1	30,1	33,8	36,2	42,2	48,2
DAN 60	0°	32,1	42,9	53,6	60	64,3	75	85,7
	50°	16,1	21,4	26,8	30	32,1	37,5	42,9
	90°	24,1	32,1	40,2	45	48,2	56,3	64,3
DAN 106	0°	56,8	75,7	94,6	106	113,6	132,5	151,4
	50°	28,4	37,9	47,3	53	56,8	66,3	75,7
	90°	42,9	57,1	71,4	80	85,7	100	114,3
DAN 120	0°	64,3	85,7	107,1	120	128,6	150	171,4
	50°	32,1	42,9	53,6	60	64,3	75	85,7
	90°	48,2	64,3	80,4	90	96,4	112,5	128,6
DAN 180	0°	96,4	128,4	160,7	180	192,9	225	257,1
	50°	48,2	64,3	80,4	90	96,4	112,5	128,6
	90°	72,3	96,4	120,5	135	144,6	168,8	192,9
DAN 240	0°	128,6	171,4	214,3	240	257,1	300	342,9
	50°	64,3	85,7	107,1	120	128,6	150	171,4
	90°	96,4	128,6	160,7	180	192,9	225	257,1
DAN 360	0°	192,9	257,1	321,4	360	385,7	450	514,3
	50°	96,4	128,6	160,7	180	192,9	225	257,1
	90°	144,6	192,9	241,1	270	289,3	337,5	385,7
DAN 480	0°	257,1	342,9	428,6	480	514,3	600	685,7
	50°	128,6	171,4	214,3	240	257,1	300	342,9
	90°	192,9	257,1	321,4	360	385,7	450	514,3
DAN 720	0°	385,7	514,3	642,9	720	771,4	900	1028,6
	50°	192,9	257,1	321,4	360	385,7	450	514,3
	90°	289,3	385,7	482,1	540	578,6	675	771,4
DAN 960	0°	514,3	685,7	857,1	960	1028,6	1200	1371,4
	50°	257,1	342,9	428,6	480	514,3	600	685,7
	90°	385,7	514,3	642,9	720	771,4	900	1028,6
DAN 1440	0°	771,4	1028,6	1285,7	1440	1542,9	1800	2057,1
	50°	385,7	514,3	642,9	720	771,4	900	1028,6
	90°	578,6	771,4	964,3	1080	1157,1	1350	1542,9
DAN 1920	0°	1028,6	1371,4	1714,3	1920	2057,1	2400	2742,9
	50°	514,3	685,7	857,1	960	1028,6	1200	1371,4
	90°	771,4	1028,6	1285,7	1440	1542,9	1800	2057,1
DA 2880	0°	1542,9	2057,1	2571,4	2880	3085,7	3600	4114,3
	50°	771,4	1028,6	1285,7	1440	1542,9	1800	2057,1
	90°	1157,1	1542,9	1928,6	2160	2314,3	2700	3085,7
DA 3840	0°	2057,1	2742,9	3428,6	3840	4114,3	4800	5485,7
	50°	1028,6	1371,4	1714,3	1920	2057,1	2400	2742,9
	90°	1542,9	2057,1	2571,4	2880	3085,7	3600	4114,3
DA 5760	0°	3085,7	4114,3	5142,9	5760	6171,4	7200	8228,6
	50°	1542,9	2057,1	2571,4	2880	3085,7	3600	4114,3
	90°	2314,3	3085,7	3857,1	4320	4628,6	5400	6171,4
DA 8000	0°	4285,7	5714,3	7142,9	8000	8571,4	10000	---
	50°	2142,9	2857,1	3571,4	4000	4285,7	5000	---
	90°	3214,3	4285,7	5357,1	6000	6428,6	7500	---



AGO "DA"

DA 08 (Nm)



SCHEDA TECNICA DATA SHEET

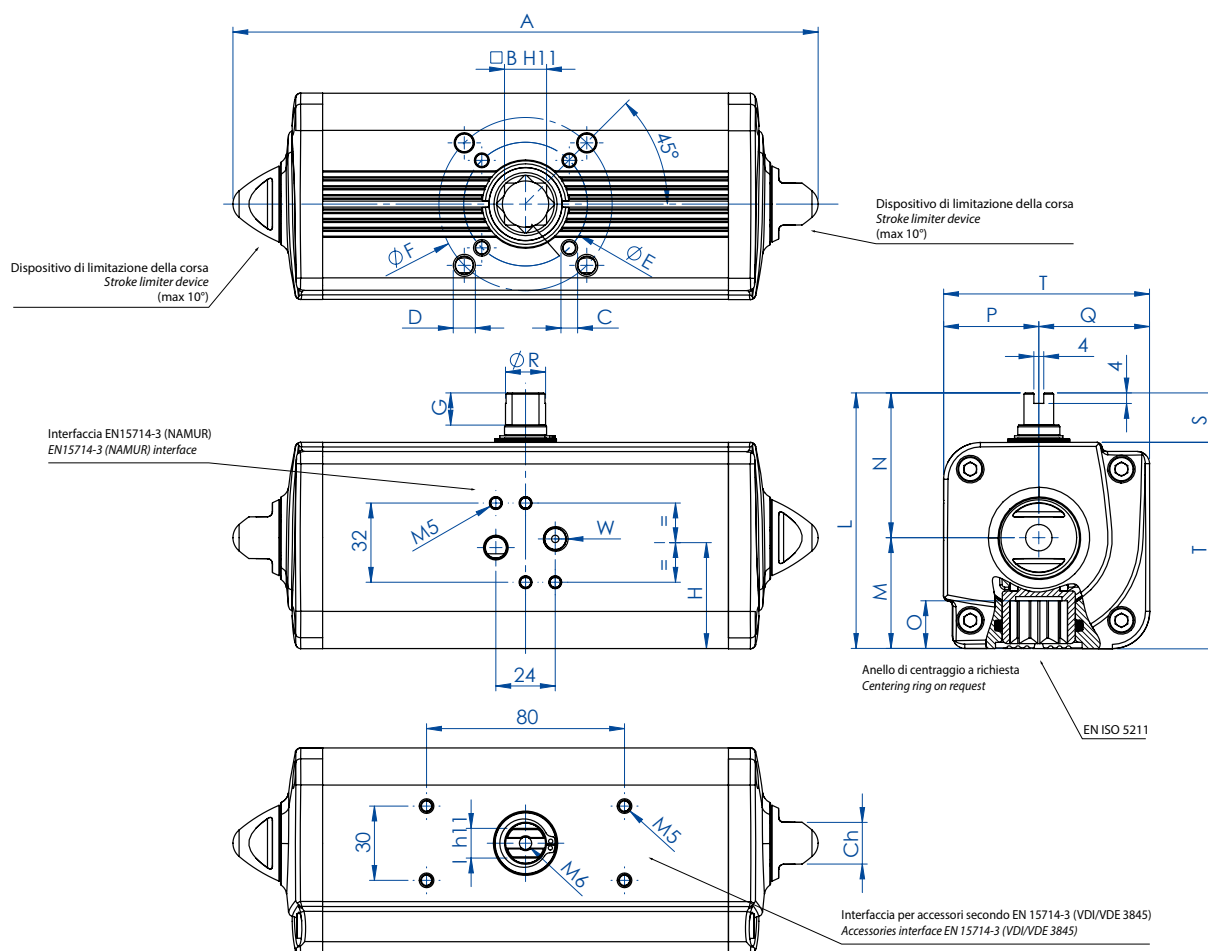
Codice Code		DA008401S
Peso Weight	Kg	0,29
Volume aria Air volume	dm ³ /cycle	0,034
Guarnizioni di ricambio Spare seals		KGDI0010

Per la tabella dei componenti vedi indice "AGO Tabelle Componenti" a pag. 558. "AGO Components' Table" to be found in the Index on page 559.



AGO "DA"

DAN 15 (Nm) ÷ DAN 60 (Nm)



SCHEDA TECNICA DATA SHEET

Codice Code	DAN0015411S	DAN0015412S	DAN0030411S	DAN0030412S	DAN0045411S	DAN0045412S	DAN0060411S	DAN0060412S
Spare seals	KGGI0012		KGGI0014		KGGI0015		KGGI0016	
Misura Size	DAN 15		DAN 30		DAN 45		DAN 60	
ISO	F03	F04	F03/F05	F04	F04	F03/F05	F04	F05/F07
A	159,1	159,1	174,3	174,3	188,5	188,5	198,1	198,1
B	11	11	11	11	11	11	14	14
C x depth	M5x8	M5x8	M5x8	M5x8	M5x8	M5x8	M5x8	M6x9
D x depth	-	-	M6x9	-	-	M6x9	-	M8x12
E	36	42	36	42	42	36	42	50
F	-	-	50	-	-	50	-	70
G	10	10	10	10	13	13	13	13
H	26,8	26,8	30,3	30,3	32,5	32,5	35,7	35,7
I	8	8	9	9	10	10	10	10
L	72,2	72,2	79,2	79,2	84,5	84,5	90,4	90,4
M	28	28	31,5	31,5	34,5	34,5	37,7	37,7
N	44,2	44,2	47,7	47,7	50	50	52,7	52,7
O	13,2	13,2	13,2	13,2	13,2	13,2	16,5	16,5
P	24,2	24,2	27,7	27,7	30	30	32,7	32,7
Q	28	28	31,5	31,5	34,5	34,5	37,7	37,7
R	9,2	9,2	10,9	10,9	12,7	12,7	14,5	14,5
S	20	20	20	20	20	20	20	20
T	52,2	52,2	59,2	59,2	64,5	64,5	70,4	70,4
W (Gas)	1/8"	1/8"	1/8"	1/8"	1/8"	1/8"	1/8"	1/8"
Ch	13	13	13	13	13	13	13	13
Weight (Kg)	0,75	0,75	1	1	1,2	1,2	1,6	1,6
Air (dm ³ /cycle)	0,08	0,08	0,15	0,15	0,22	0,22	0,3	0,3

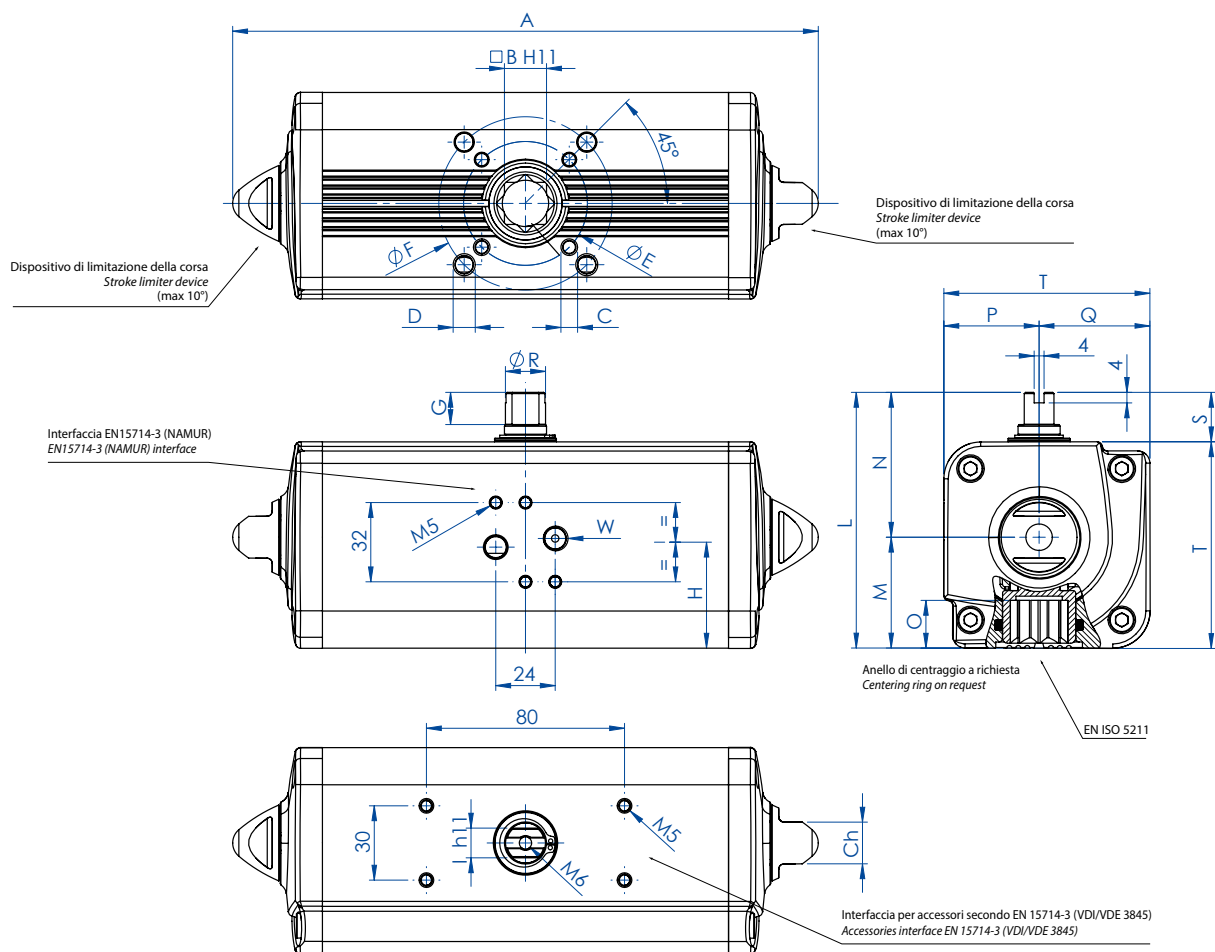
H = CENTRO DEI FISSAGGI BASETTA H = CENTER OF PLATE'S FIXING

Per la tabella dei componenti vedi indice "AGO Tabelle Componenti" a pag. 558. "AGO Components' Table" to be found in the Index on page 559.



AGO "DA"

DAN 106 (Nm) ÷ DAN 720 (Nm)



SCHEDA TECNICA DATA SHEET

Codice Code	DAN0106411S	DAN0120411S	DAN0180411S	DAN0240411S	DAN0360411S	DAN0480411S	DAN0720411S
Spare seals	KGGI0060	KGGI0018	KGGI0019	KGGI0020	KGGI0021	KGGI0022	KGGI0023
Misura Size	DAN 106	DAN 120	DAN 180	DAN 240	DAN 360	DAN 480	DAN 720
ISO	F05/F07	F05/F07	F07/F10	F07/F10	F07/F10	F10/F12	F10/F12
A	237,1	257,4	289,9	313,6	339,3	387,7	433
B	17	17	22	22	22	27	27
C x depth	M6x9	M6x9	M8x12	M8x12	M8x12	M10x15	M10x15
D x depth	M8x12	M8x12	M10x15	M10x15	M10x15	M12x18	M12x18
E	50	50	70	70	70	102	102
F	70	70	102	102	102	125	125
G	13	13	16	17	19	19	19,5
H	42,8	44,8	54,5	58,1	60	57,4	61,5
I	12	12	15	15	19	19	22
L	103,3	107	137,5	141,1	148	164,9	178
M	44,8	46,8	56,5	60,1	62	72,9	78,5
N	58,5	60,2	81	81	86	92	99,5
O	19,3	19,3	24,8	24,8	24,3	29,5	29,5
P	38,5	40,2	51	51	56	62	69,5
Q	44,8	46,8	56,5	60,1	62	72,9	78,5
R	16,2	18	20,2	22,5	25,5	29	31,8
S	20	20	30	30	30	30	30
T	83,3	87	107,5	111,1	118	134,9	148
W (Gas)	1/8"	1/8"	1/8"	1/8"	1/8"	1/4"	1/4"
Ch	17	17	22	22	22	27	27
Weight (Kg)	2,5	2,6	4,6	5,4	6,5	9,6	12
Air (dm3/cycle)	0,55	0,59	0,95	1,3	1,8	2,6	3,5

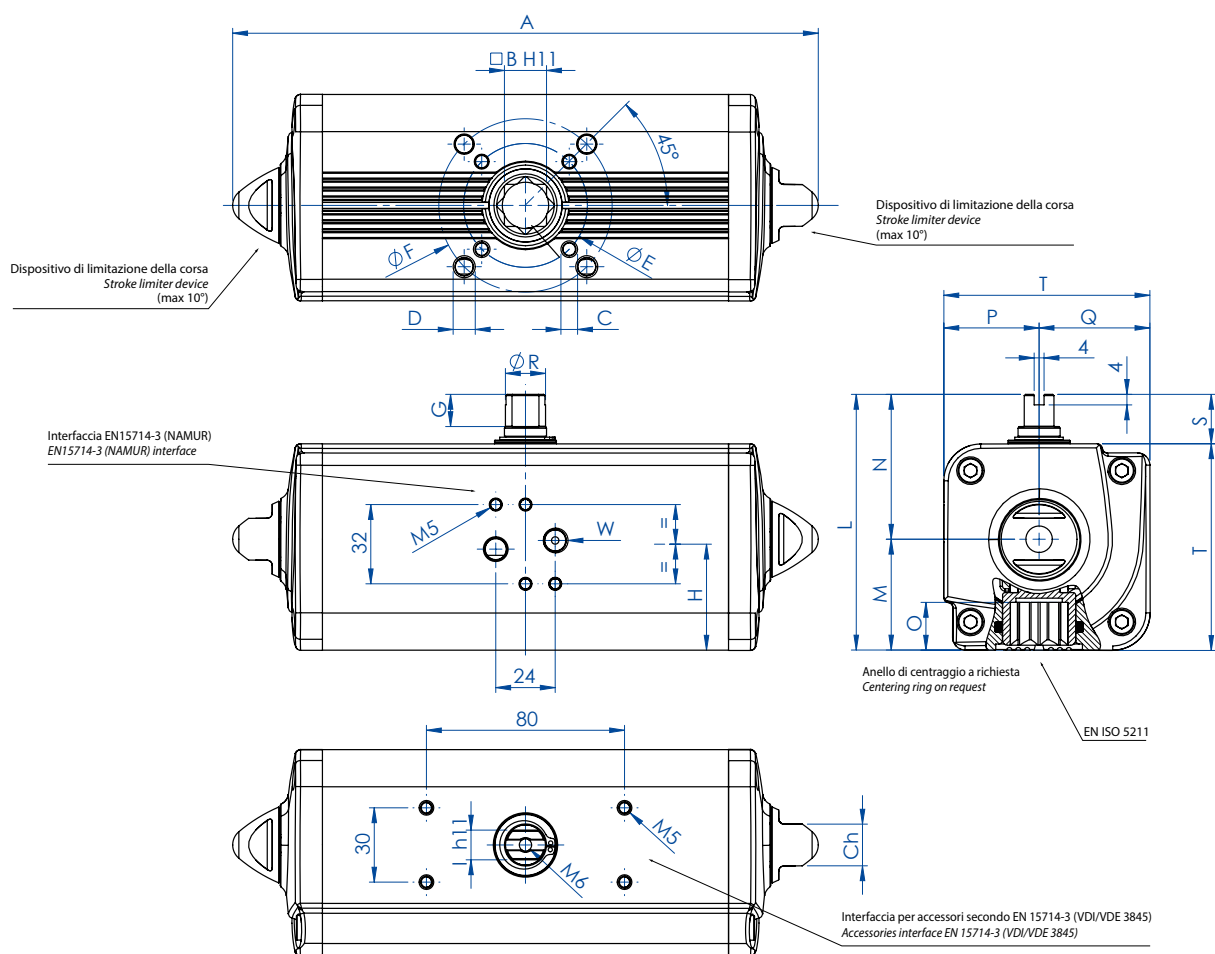
H = CENTRO DEI FISSAGGI BASETTA H = CENTER OF PLATE'S FIXING

Per la tabella dei componenti vedi indice "AGO Tabelle Componenti" a pag. 558. "AGO Components' Table" to be found in the Index on page 559.



AGO "DA"

DAN 960 (Nm) ÷ DAN 1920 (Nm)



SCHEDA TECNICA DATA SHEET

Codice Code	DAN0960411S	DAN0960412S	DAN1440412S	DAN1440411S	DAN1920412S	DAN1920411S
Spare seals	KGGI0024		KGGI0025		KGGI0026	
Misura Size	DAN 960		DAN 1440		DAN 1920	
ISO	F10/F12	F14	F12	F14	F12/F16	F14
A	479,4	479,4	567	567	601	601
B	36	36	36	36	46	46
C x depth	M10x15	M16x24	M12x18	M16x24	M12x18	M16x24
D x depth	M12x18	-	-	-	M20x30	-
E	102	140	125	140	125	140
F	125	-	-	-	165	-
G	19,5	19,5	19,5	19,5	18,5	18,5
H	78	78	86,5	86,5	99,2	99,2
I	24	24	27	27	32	32
L	198	198	216	216	237,7	237,7
M	93,5	93,5	101,5	101,5	114,7	114,7
N	104,5	104,5	114,5	114,5	123	123
O	38,5	38,5	38,5	38,5	48,5	48,5
P	74,5	74,5	84,5	84,5	93	93
Q	93,5	93,5	101,5	101,5	114,7	114,7
R	36,5	36,5	41	41	46	46
S	30	30	30	30	30	30
T	168	168	186	186	207,7	207,7
W (Gas)	1/4"	1/4"	1/4"	1/4"	1/4"	1/4"
Ch	27	27	36	36	36	36
Weight (Kg)	17,4	17,4	23,4	23,4	32	32
Air (dm ³ /cycle)	4,9	4,9	7,6	7,6	10,2	10,2

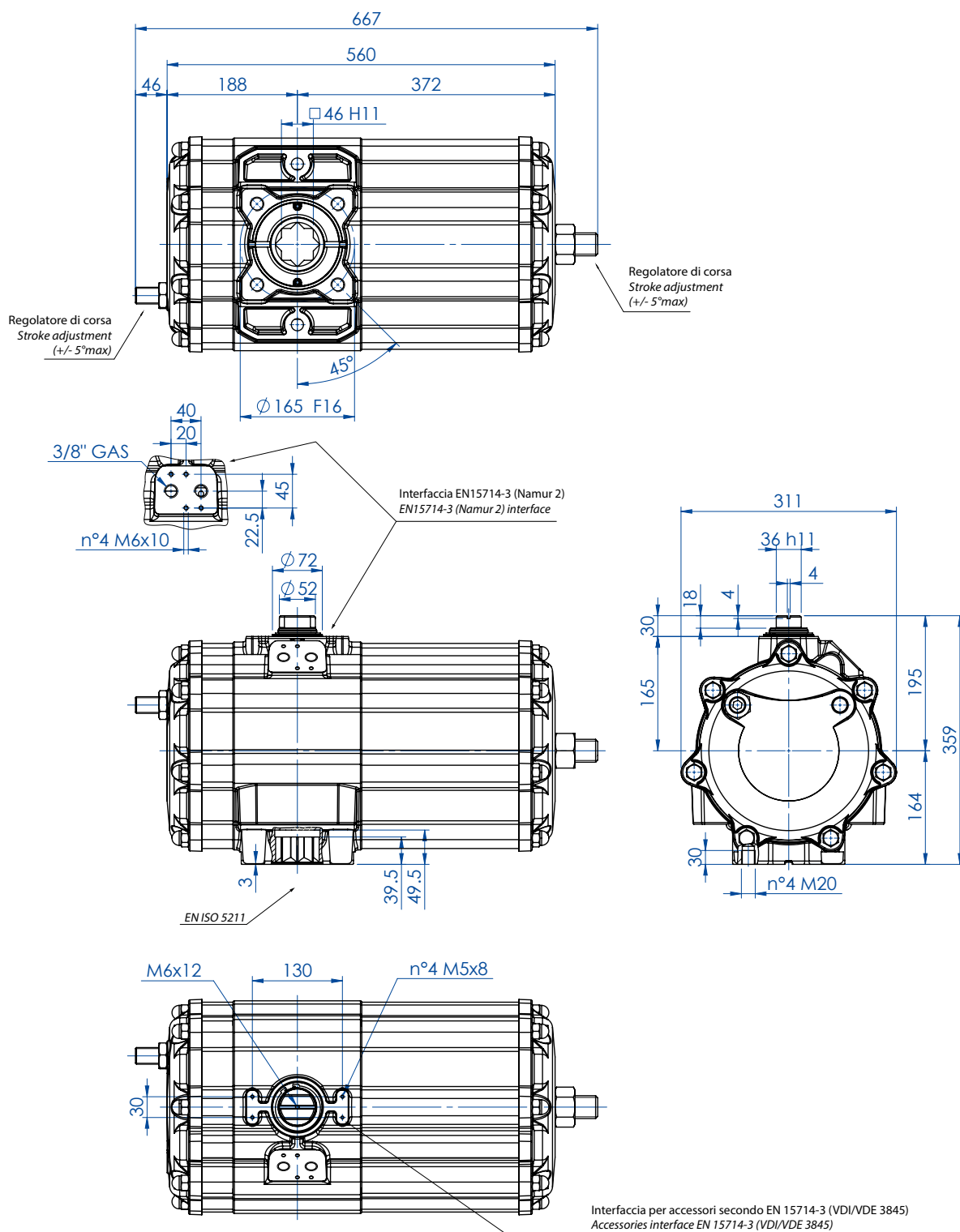
H = CENTRO DEI FISSAGGI BASETTA H = CENTER OF PLATE'S FIXING

Per la tabella dei componenti vedi indice "AGO Tabelle Componenti" a pag. 558. "AGO Components' Table" to be found in the Index on page 559.



AGO "DA"

DA 2880 (Nm)



SCHEDA TECNICA DATA SHEET

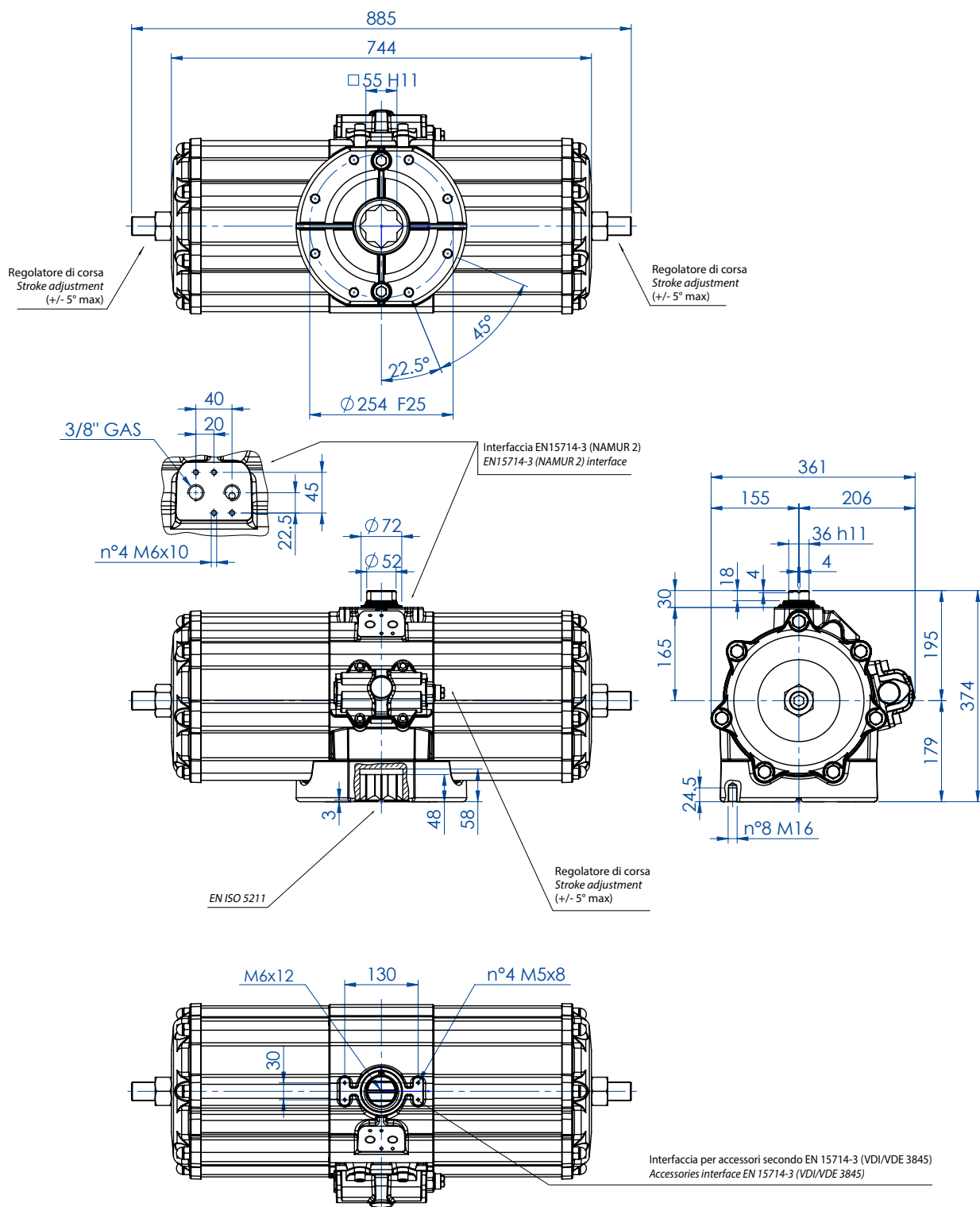
Codice Code		DA2880E16D0A
Peso Weight	Kg	55,4
Volume aria Air volume	dm ³ /cycle	20,0
Guarnizioni di ricambio Spare seals		KGDI1035

Per la tabella dei componenti vedi indice "AGO Tabelle Componenti" a pag. 558. "AGO Components' Table" to be found in the Index on page 559.



AGO "DA"

DA 5760 (Nm)



SCHEDA TECNICA DATA SHEET

Codice Code		DA5760E25D0A
Peso Weight	Kg	85,5
Volume aria Air volume	dm^3/cycle	38,0
Guarnizioni di ricambio Spare seals		KGDI2035

Per la tabella dei componenti vedi indice "AGO Tabelle Componenti" a pag. 558. "AGO Components' Table" to be found in the Index on page 559.



AGO "SR"

ATTUATORE PNEUMATICO SEMPLICE EFFETTO ALLUMINIO ALUMINIUM SPRING RETURN PNEUMATIC ACTUATOR



Design by
GIUGIARO DESIGN

DATI TECNICI

- Coppia da 15 Nm a 4000 Nm.
- Flangia d'attacco: EN ISO 5211
F03 - F04 - F05 - F07 - F10 - F12 - F14 - F16 - F25.
- Conforme alla EN 15714-3.
- Angolo di rotazione: 92° (-1°, +91°).
- Momento torcente: Il momento torcente di ritorno dipende solo dall'azione della molla ed è indipendente dalla pressione di alimentazione. Sono disponibili 4 differenti tarature per la molla; vedi tabella.
- La chiusura automatica per mezzo delle molle avviene in senso orario. In ciascun attuatore la cifra che segue la sigla SR/SRN corrisponde al valore della coppia di spunto in Nm. alla pressione di 5,6 bar.
- **A richiesta: Versione ATEX in conformità alla direttiva 2014/34/UE.**

CONDIZIONI DI ESERCIZIO

- Temperatura: da -20°C a +80°C. (Versioni speciali: alta temperatura: -20°C +150°C; bassa temperatura: -50°C +60°C).
- Pressione nominale: 5,6 bar; massima di esercizio 8,4 bar.
- Fluido di alimentazione: aria compressa filtrata secca non necessariamente lubrificata.
- In caso di lubrificazione usare olio non detergente, compatibile con NBR.

TECHNICAL FEATURES

- Torque from 15 Nm to 4000 Nm.
- Mounting flange according to EN ISO 5211
F03 - F04 - F05 - F07 - F10 - F12 - F14 - F16 - F25.
- In compliance with EN 15714-3.
- Rotation angle: 92° (-1°, +91°).
- Torque: the return torque depends on spring action only notwithstanding the air supply. The spring is provided in four different sizes (see table).
- The code numbers after the letters SR/SRN, always correspond to the breakaway torque in Nm by 5,6 bar air supply.
The actuator automatic closing takes place in clockwise direction by means of its springs.
- **On request: ATEX version in conformity with directive 2014/34/EU.**

WORKING CONDITION

- Temperature: from -20°C to +80°C. (Special versions: high temperature: -20°C +150°C; low temperature: -50°C +60°).
- Air supply: 5,6 bar; maximum 8,4 bar.
- Actuating media: filtered dry compressed air, not necessarily lubricated.
- In case of lubricated air, either non detergent oil, NBR compatible oil, must be used.



DIAGRAMMA DEL MOMENTO TORCENTE IN FUNZIONE DELL'ANGOLO DI ROTAZIONE OUTPUT TORQUE DIAGRAM RELATED TO ROTATION ANGLE

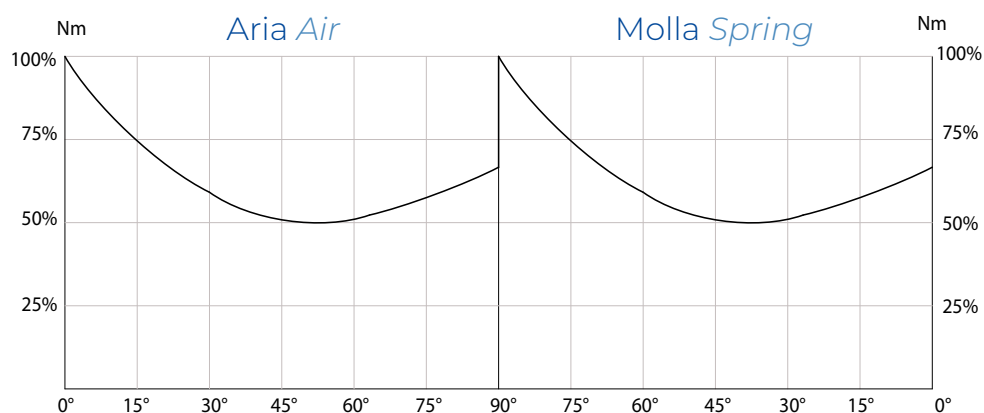
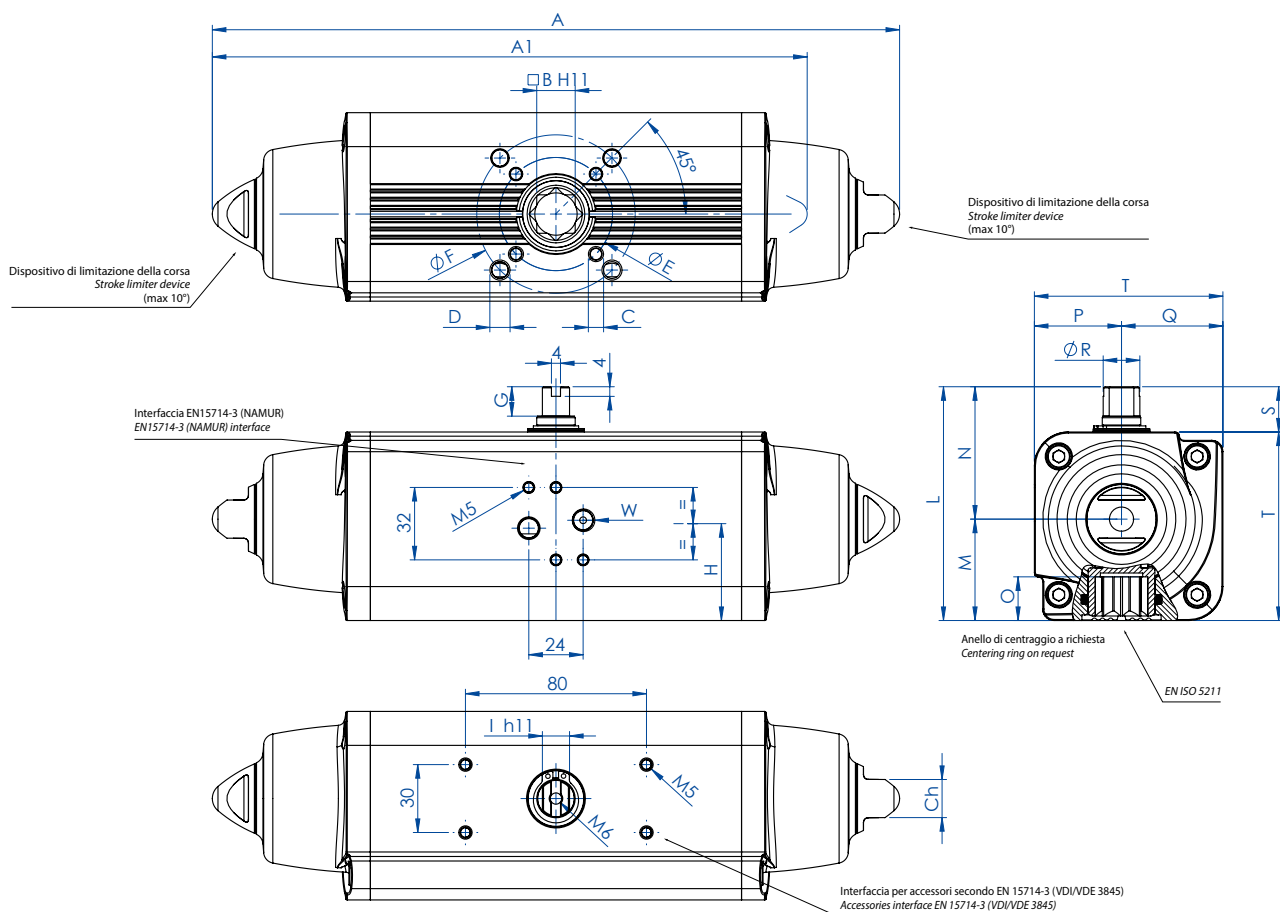


TABELLA DEL MOMENTI TORCENTI (Nm) OUTPUT TORQUE TABLE (Nm)		$\alpha^\circ =$ ANGOLO DI ROTAZIONE $\alpha^\circ =$ ROTATION ANGLE							
MISURA SIZE	α°	2,8 bar ÷ 40 PSI		3,5 bar ÷ 50 PSI		4,2 bar ÷ 60 PSI		5,6 bar ÷ 80 PSI	
		aria air	molla spring	aria air	molla spring	aria air	molla spring	aria air	molla spring
SRN 15	0°	7,5	5	9,4	6,3	11,3	7,5	15	10
	50°	3,7	3,7	4,7	4,7	5,6	5,6	7,5	7,5
	90°	5	7,5	6,3	9,4	7,5	11,3	10	15
SRN 30	0°	15	10	18,8	12,5	22,5	15	30	20
	50°	7,5	7,5	9,4	9,4	11,3	11,3	15	15
	90°	10	15	12,5	18,8	15	22,5	20	30
SRN 53	0°	26,5	17,5	33	22	40	26	53	35
	50°	13	13	16,5	16,5	19,5	19,5	26	26
	90°	17,5	26,5	22	33	26	40	35	53
SRN 60	0°	30	20	37,5	25	45	30	60	40
	50°	15	15	18,8	18,8	22,5	22,5	30	30
	90°	20	30	25	37,5	30	45	40	60
SRN 90	0°	45	30	56,3	37,5	67,5	45	90	60
	50°	22,5	22,5	28,1	28,1	33,9	33,9	45	45
	90°	30	45	37,5	56,3	45	67,5	60	90
SRN 120	0°	60	40	75	50	90	60	120	80
	50°	30	30	37,5	37,5	45	45	60	60
	90°	40	60	50	75	60	90	80	120
SRN 180	0°	90	60	112,5	75	135	90	180	120
	50°	45	45	56,3	56,3	67,5	67,5	90	90
	90°	60	90	75	112,5	90	135	120	180
SRN 240	0°	120	80	150	100	180	120	240	160
	50°	60	60	75	75	90	90	120	120
	90°	80	120	100	150	120	180	160	240
SRN 360	0°	180	120	225	150	270	180	360	240
	50°	90	90	112,5	112,5	135	135	180	180
	90°	120	180	150	225	180	270	240	360
SRN 480	0°	240	160	300	200	360	240	480	320
	50°	120	120	150	150	180	180	240	240
	90°	160	240	200	300	240	360	320	480
SRN 720	0°	360	240	450	300	540	360	720	480
	50°	180	180	225	225	270	270	360	360
	90°	240	360	300	450	360	540	480	720
SRN 960	0°	480	320	600	400	720	480	960	640
	50°	240	240	300	300	360	360	480	480
	90°	320	480	400	600	480	720	640	960
SR 1440	0°	---	---	900	600	---	---	1440	960
	50°	---	---	450	450	---	---	720	720
	90°	---	---	600	900	---	---	960	1440
SR 1920	0°	960	640	1200	800	1440	960	1920	1280
	50°	480	480	600	600	720	720	960	960
	90°	640	960	800	1200	960	1440	1280	1920
SR 2880	0°	1440	960	1800	1200	2160	1440	2880	1920
	50°	720	720	900	900	1080	1080	1440	1440
	90°	960	1440	1200	1800	1440	2160	1920	2880
SR 4000	0°	2000	1333	2500	1666,3	3000	1999,5	4000	2666
	50°	1000	1000	1250	1250	1500	1500	2000	2000
	90°	1333	2000	1666,3	2500	1999,5	3000	2666	4000



AGO "SR"

SRN 15 (Nm) ÷ SRN 53 (Nm)



SCHEDA TECNICA DATA SHEET

Codice Code	SRN0015401S	SRN0015402S	SRN0030401S	SRN0030402S	SRN0053401S
Spare seals	KGGI0014		KGGI0016		KGGI0060
Misura Size	SRN 15		SRN 30		SRN 53
ISO	F03/F05	F04	F04	F05/F07	F05/F07
A	233,3	233,3	259	259	304,3
A1 (2,8 Bar)	203,8	203,8	228,5	228,5	270,7
B	11	11	14	14	17
C x depth	M5x8	M5x8	M5x8	M6x9	M6x9
D x depth	M6x9	-	-	M8x12	M8x12
E	36	42	42	50	50
F	50	-	-	70	70
G	10	10	13	13	13
H	30,3	30,3	35,7	35,7	42,8
I	9	9	10	10	12
L	79,2	79,2	90,4	90,4	103,3
M	31,5	31,5	37,7	37,7	44,8
N	47,7	47,7	52,7	52,7	58,5
O	13,2	13,2	16,5	16,5	19,3
P	27,7	27,7	32,7	32,7	38,5
Q	31,5	31,5	37,7	37,7	44,8
R	10,9	10,9	14,5	14,5	16,2
S	20	20	20	20	20
T	59,2	59,2	70,4	70,4	83,3
W (Gas)	1/8"	1/8"	1/8"	1/8"	1/8"
Ch	13	13	13	13	17
Weight (Kg)	1,2	1,2	1,95	1,95	3
Air (dm3/cycle)	0,09	0,09	0,17	0,17	0,3

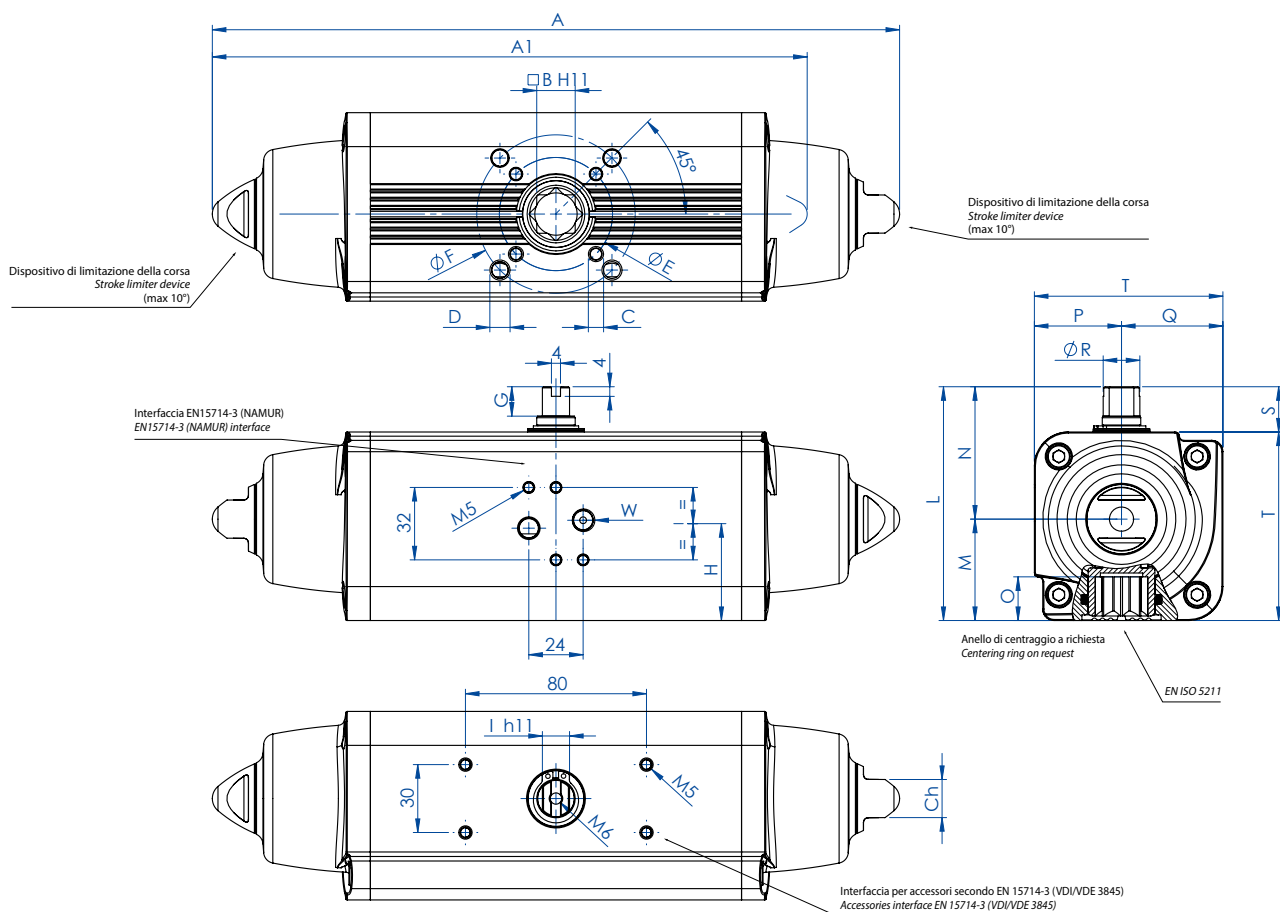
H = CENTRO DEI FISSAGGI BASETTA H = CENTER OF PLATE'S FIXING

Per la tabella dei componenti vedi indice "AGO Tabelle Componenti" a pag. 558. "AGO Components' Table" to be found in the Index on page 559.



AGO "SR"

SRN 60 (Nm) ÷ SRN 360 (Nm)



SCHEDA TECNICA DATA SHEET

Codice Code	SRN0060401S	SRN0090401S	SRN0120401S	SRN0180401S	SRN0240401S	SRN0360401S
Spare seals	KGGI0018	KGGI0019	KGGI0020	KGGI0021	KGGI0022	KGGI0023
Misura Size	SRN 60	SRN 90	SRN 120	SRN 180	SRN 240	SRN 360
ISO	F05/F07	F07/F10	F07/F10	F07/F10	F10/F12	F10/F12
A	338,5	393,7	409,6	474	520,5	613
A1 (2,8 Bar)	309,1	341,8	361,6	406,6	454,1	523
B	17	22	22	22	27	27
C x depth	M6x9	M8x12	M8x12	M8x12	M10x15	M10x15
D x depth	M8x12	M10x15	M10x15	M10x15	M12x18	M12x18
E	50	70	70	70	102	102
F	70	102	102	102	125	125
G	13	16	17	19	19	19,5
H	44,8	54,5	58,1	60	57,4	61,5
I	12	15	15	19	19	22
L	107	137,5	141,1	148	164,9	178
M	46,8	56,5	60,1	62	72,9	78,5
N	60,2	81	81	86	92	99,5
O	19,3	24,8	24,8	24,3	29,5	29,5
P	40,2	51	51	56	62	69,5
Q	46,8	56,5	60,1	62	72,9	78,5
R	18	20,2	22,5	25,5	29	31,8
S	20	30	30	30	30	30
T	87	107,5	111,1	118	134,9	148
W (Gas)	1/8"	1/8"	1/8"	1/8"	1/4"	1/4"
Ch	17	22	22	22	27	27
Weight (Kg)	3,35	5,9	6,8	8,9	11,8	16,5
Air (dm3/cycle)	0,33	0,55	0,8	1	1,5	2

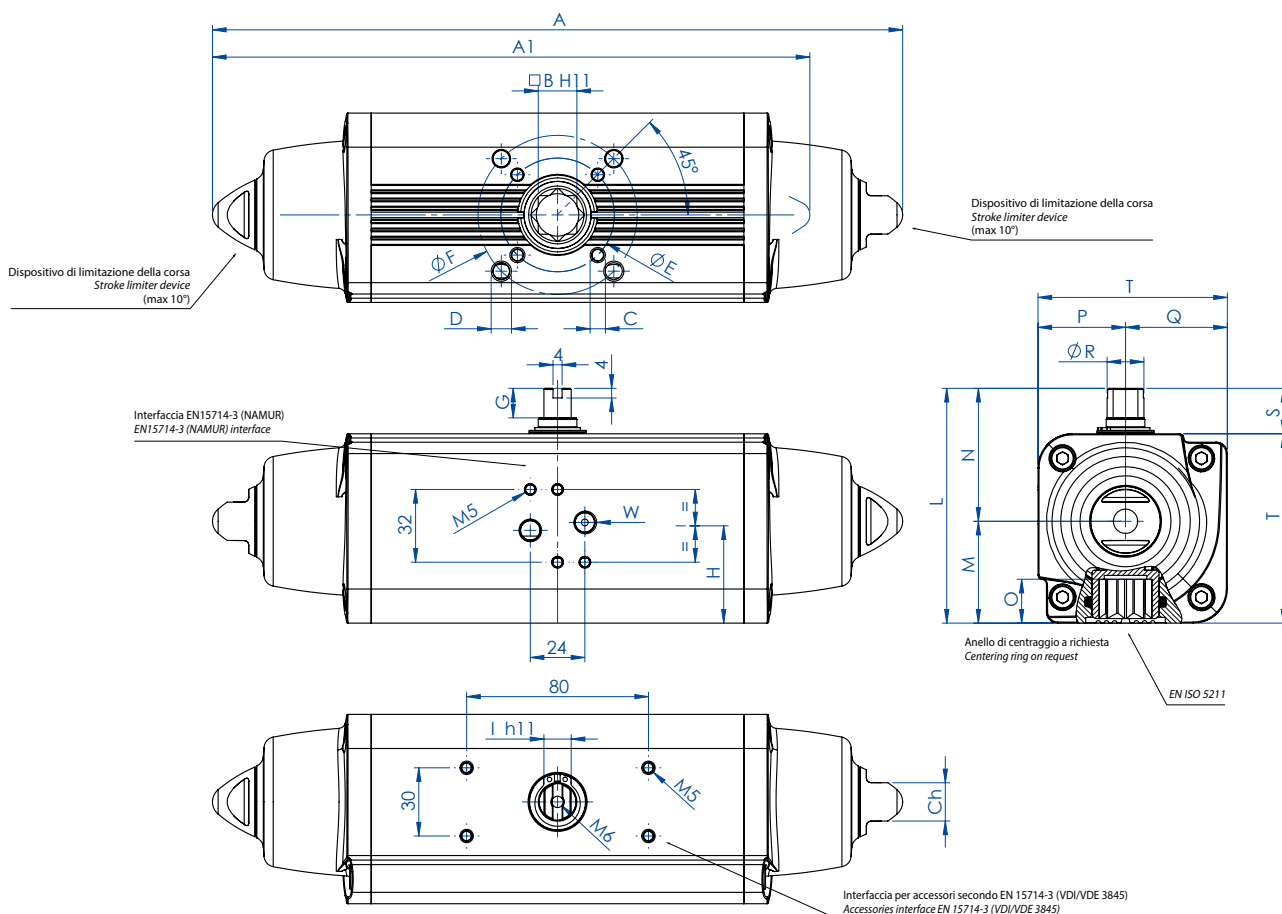
H = CENTRO DEI FISSAGGI BASETTA H = CENTER OF PLATE'S FIXING

Per la tabella dei componenti vedi indice "AGO Tabelle Componenti" a pag. 558. "AGO Components' Table" to be found in the Index on page 559.



AGO "SR"

SRN 480 (Nm) ÷ SRN 960 (Nm)



SCHEDA TECNICA DATA SHEET

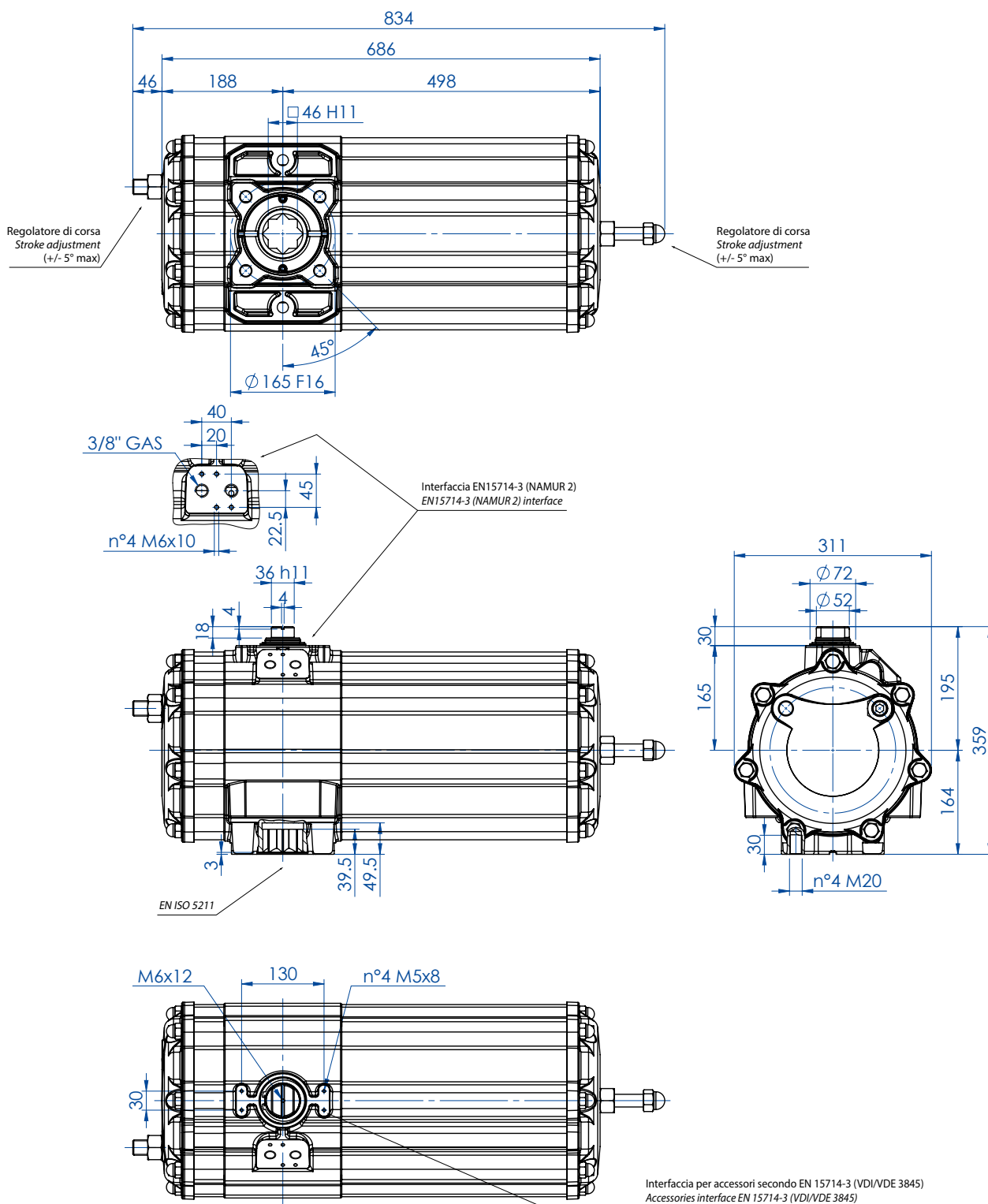
Codice Code	SRN0480401S	SRN0480402S	SRN0720402S	SRN0720401S	SRN0960402S	SRN0960401S
Spare seals	KGGI0024		KGGI0025		KGGI0026	
Misura Size	SRN 480		SRN 720		SRN 960	
ISO	F10/F12	F14	F12	F14	F12/F16	F14
A	648,2	648,2	798	798	828	828
A1 (2,8 Bar)	563,8	563,8	683	683	714,4	714,4
B	36	36	36	36	46	46
C x depth	M10x15	M16x24	M12x18	M16x24	M12x18	M16x24
D x depth	M12x18	-	-	-	M20x30	-
E	102	140	125	140	125	140
F	125	-	-	-	165	-
G	19,5	19,5	19,5	19,5	18,5	18,5
H	78	78	86,5	86,5	99,2	99,2
I	24	24	27	27	32	32
L	198	198	216	216	237,7	237,7
M	93,5	93,5	101,5	101,5	114,7	114,7
N	104,5	104,5	114,5	114,5	123	123
O	38,5	38,5	38,5	38,5	48,5	48,5
P	74,5	74,5	84,5	84,5	93	93
Q	93,5	93,5	101,5	101,5	114,7	114,7
R	36,5	36,5	41	41	46	46
S	30	30	30	30	30	30
T	168	168	186	186	207,7	207,7
W (Gas)	1/4"	1/4"	1/4"	1/4"	1/4"	1/4"
Ch	27	27	36	36	36	36
Weight (Kg)	22,7	22,7	33	33	42	42
Air (dm3/cycle)	2,8	2,8	4,2	4,2	5,9	5,9

H = CENTRO DEI FISSAGGI BASETTA H = CENTER OF PLATE'S FIXING

Per la tabella dei componenti vedi indice "AGO Tabelle Componenti" a pag. 558. "AGO Components' Table" to be found in the Index on page 559.



AGO "SR" SR 1440 (Nm)



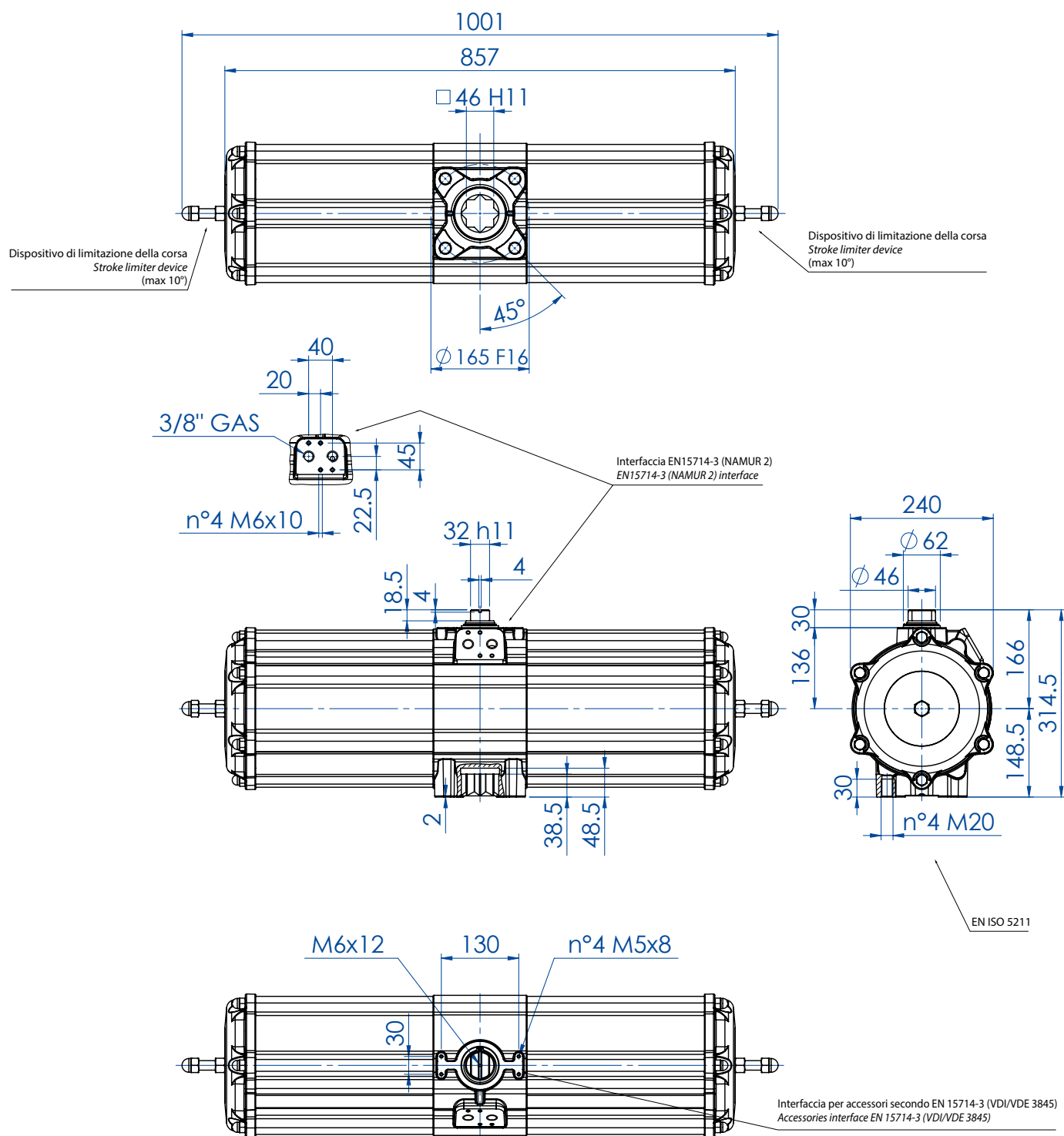
SCHEDA TECNICA DATA SHEET		SR1440E16D8A
Codice Code		SR1440E16D8A
Peso Weight	Kg	74,0
Volume aria Air volume	dm ³ /cycle	11,0
Guarnizioni di ricambio Spare seals		KGSI1035

Per la tabella dei componenti vedi indice "AGO Tabelle Componenti" a pag. 558. "AGO Components' Table" to be found in the Index on page 559.



AGO "SR"

SR 1920 (Nm)



Disponibile versione con doppia regolazione della corsa (+/- 5°max) con codice SR1920E16D8A.
Available version with double stroke adjustment (+/- 5°max) with code SR1920E16D8A.

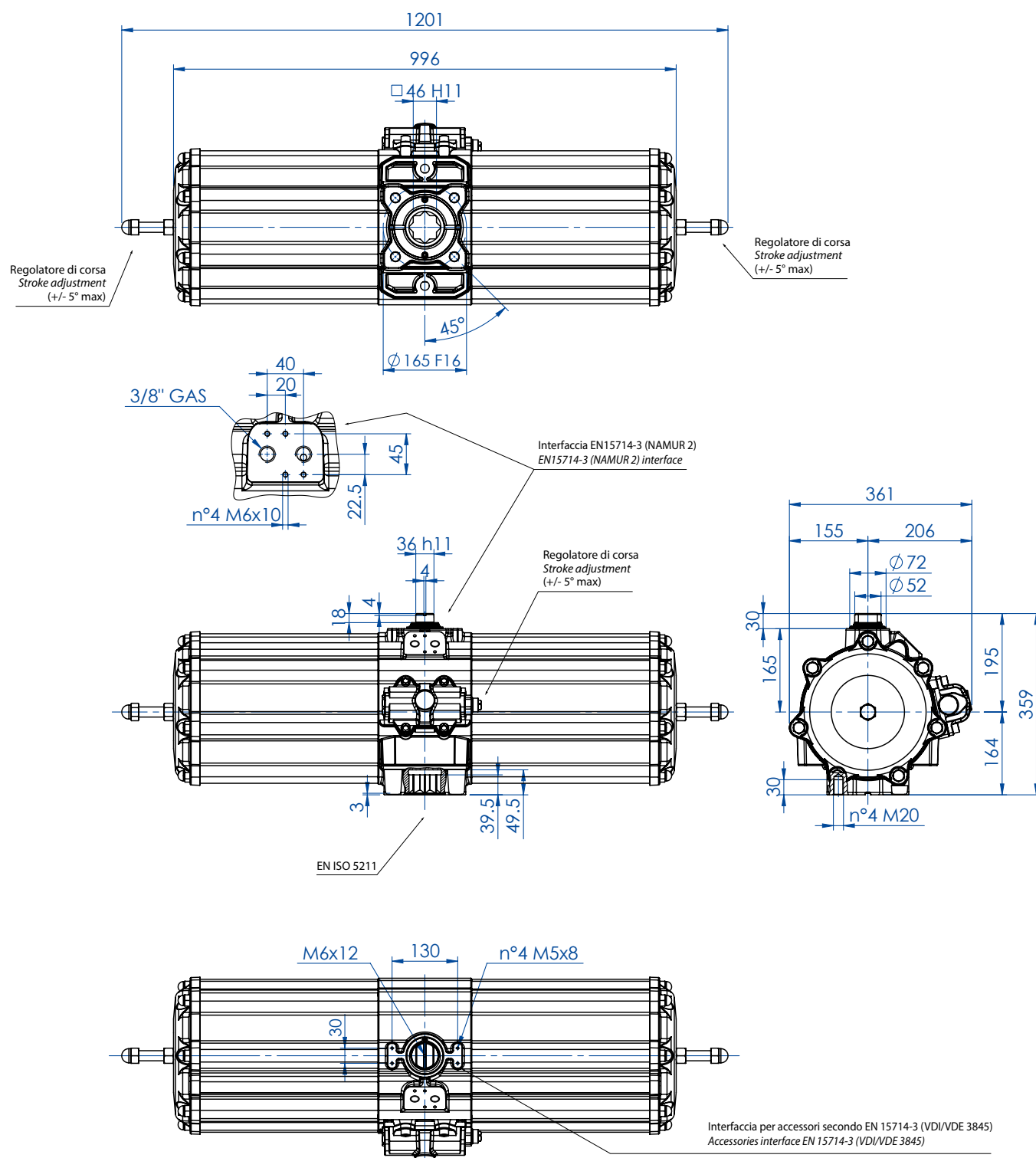
SCHEDA TECNICA		DATA SHEET	
Codice Code		SR1920E1608A	
Peso Weight	Kg	67,0	
Volume aria Air volume	dm ³ /cycle	12,0	
Guarnizioni di ricambio Spare seals		KGDI0030	

Per la tabella dei componenti vedi indice "AGO Tabelle Componenti" a pag. 558. "AGO Components' Table" to be found in the Index on page 559.



AGO "SR"

SR 2880 (Nm)



SCHEDA TECNICA DATA SHEET

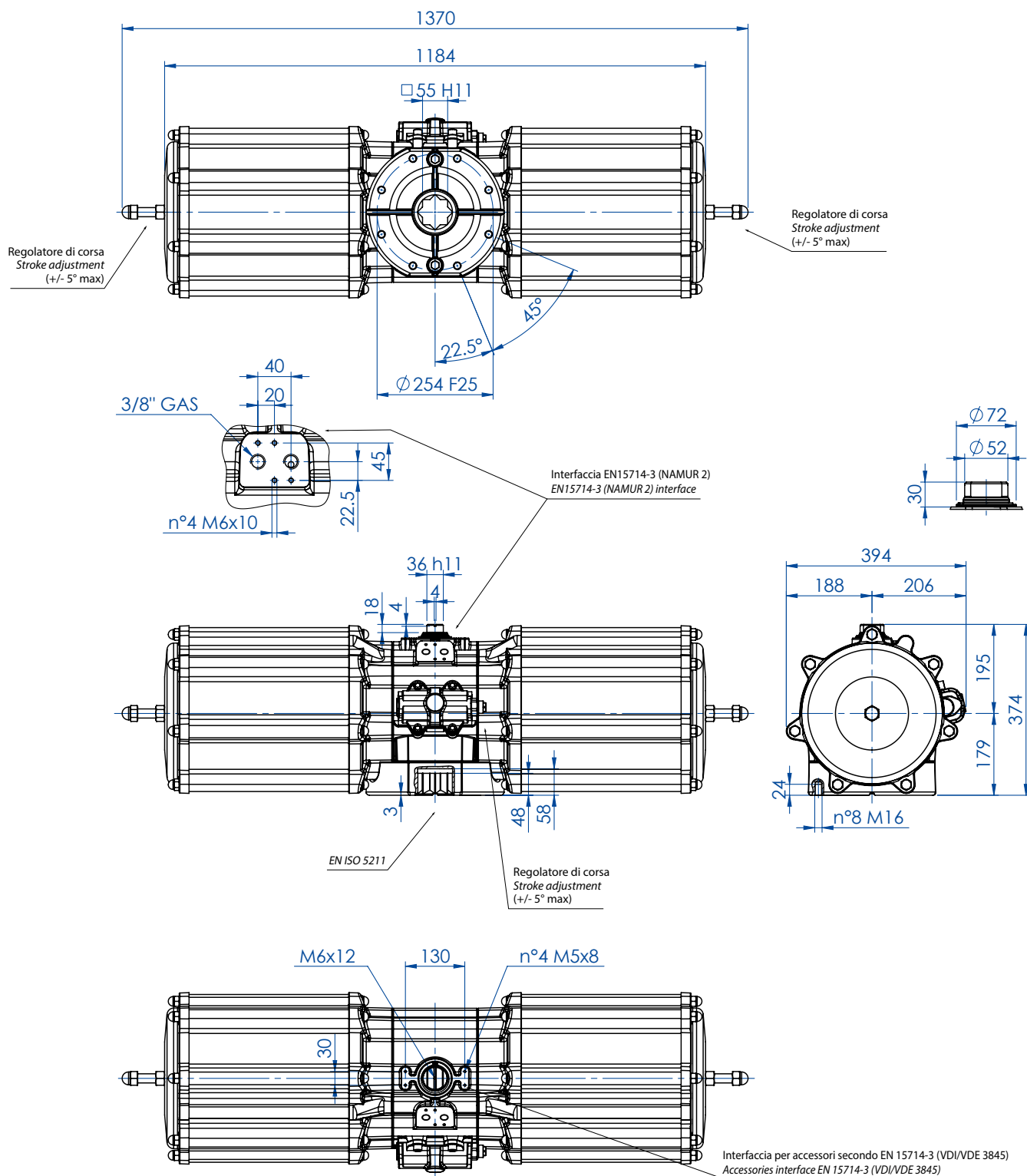
Codice Code		SR2880E16D8A
Peso Weight	Kg	116,8
Volume aria Air volume	dm ³ /cycle	21,0
Guarnizioni di ricambio Spare seals		KGSI2035

Per la tabella dei componenti vedi indice "AGO Tabelle Componenti" a pag. 558. "AGO Components' Table" to be found in the Index on page 559.



AGO "SR"

SR 4000 (Nm)



SCHEDA TECNICA DATA SHEET

Codice Code		SR4000E25D8A
Peso Weight	Kg	183,0
Volume aria Air volume	dm ³ /cycle	29,1
Guarnizioni di ricambio Spare seals		KGSI1040

Per la tabella dei componenti vedi indice "AGO Tabelle Componenti" a pag. 558. "AGO Components' Table" to be found in the Index on page 559.





AGO HANDWHEEL "DA"

ATTUATORE PNEUMATICO CON VOLANTINO INTEGRATO PNEUMATIC ACTUATOR WITH INTEGRATED HANDWHEEL



DATI TECNICI

- Coppia da 60 Nm a 3840 Nm.
- Flangia d'attacco: EN ISO 5211
F05 - F07 - F10 - F12 - F14 - F16.
- Conforme alla EN 15714-3.
- Angolo di rotazione: 92° (-1°, +91°).
- Momento torcente: Direttamente proporzionale alla pressione di alimentazione; vedi tabella.
- In ciascun attuatore la cifra che segue la sigla DANV corrisponde al valore della coppia di spunto in Nm. alla pressione di 5,6 bar.
- **A richiesta: Versione ATEX in conformità alla direttiva 2014/34/UE.**

CONDIZIONI DI ESERCIZIO

- Temperatura: da -20°C a +80°C. (Versioni speciali: alta temperatura: -20°C +150°C; bassa temperatura: -50°C +60°C).
- Pressione nominale: 5,6 bar; massima di esercizio 8,4 bar.
- Fluido di alimentazione: aria compressa filtrata secca non necessariamente lubrificata.
- In caso di lubrificazione usare olio non detergente, compatibile con NBR.

Qualora richiesto l'attuatore pneumatico a quarto di giro di nostra produzione può essere dotato di un azionamento manuale.

Il dispositivo può essere integrato sia nella versione Doppio Effetto che in quella Semplice Effetto.

Per il buon funzionamento del sistema e per l'integrità meccanica del dispositivo è indispensabile accertarsi che l'attuatore pneumatico sia disconnesso dalle linee di alimentazione di aria compressa prima di compiere alcuna manovra impiegando il dispositivo di azionamento manuale.

Il dispositivo di azionamento manuale agisce sulla trasmissione meccanica primaria dell'attuatore pneumatico e a fronte di coppie applicate al volantino conformi alla norma EN 12570 produce coppie in uscita di pari valore della coppia nominale dell'attuatore stesso.

TECHNICAL FEATURES

- Torque from 60 Nm to 3840 Nm.
- Mounting flange according to EN ISO 5211
F05 - F07 - F10 - F12 - F14 - F16.
- In accordance with EN 15714-3.
- Rotation angle: 92° (-1°, +91°).
- Torque: directly proportional to the air supply (see table).
- The code numbers after the DANV letters, always correspond to the breakaway torque in Nm by 5,6 bar air supply.
- **On request: ATEX version in conformity with directive 2014/34/EU.**

WORKING CONDITIONS

- Temperature: from -20°C to +80°C. (Special versions: high temperature: -20°C +150°C; low temperature: -50°C +60°).
- Air supply: 5,6 bar; maximum 8,4 bar.
- Actuating media: filtered dry compressed air, not necessarily lubricated.
- In case of lubricated air, either non detergent oil, NBR compatible oil, must be used.

Once required the quarter turn pneumatic actuator can be equipped with a manual handwheel.

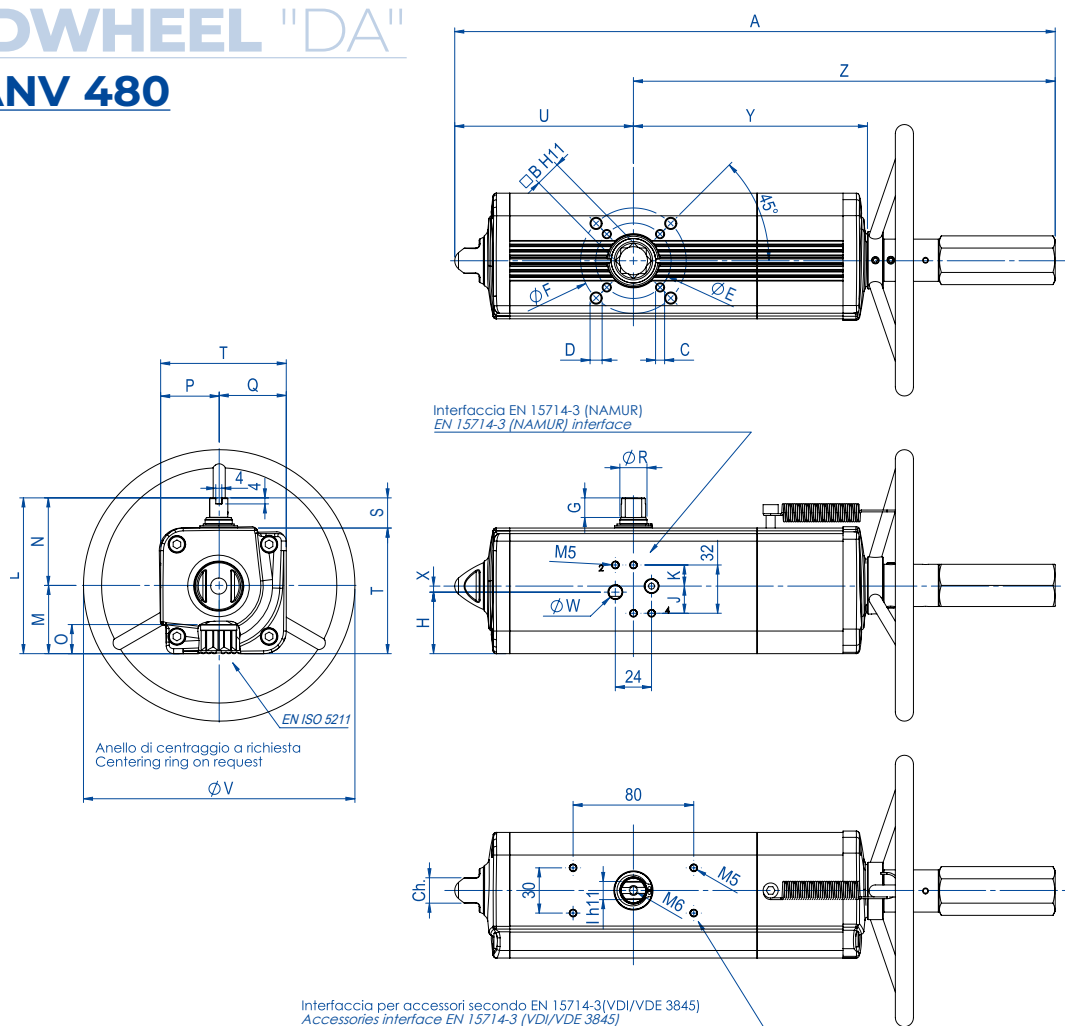
The device can be integrated either in Double Acting and Spring Return versions. For the proper functioning of the system and for the mechanical integrity of the device is essential to ensure that the pneumatic actuator is disconnected from the power lines of compressed air before performing any operation using the manual handwheel.

The manual handwheel acts on the transmission of the primary mechanical transmission of the pneumatic actuator and with torques applied to the handwheel according to EN 12570 it releases output torque of equal value of the nominal torque of the actuator.



AGO HANDWHEEL "DA"

DANV 60 ÷ DANV 480



SCHEDA TECNICA DATA SHEET

Codice Code	DANV0060411S	DANV0060412S	DANV0106411S	DANV0120411S	DANV0180411S	DANV0240411S	DANV0360411S	DANV0480411S
Kit guarniz. Spare Seals	KGGI0016VX	KGGI0016VX	KGGI0060VX	KGGI0018VX	KGGI0019VX	KGGI0020VX	KGGI0021VX	KGGI0022VX
Misura Size	DANV 60	DANV 60	DANV 106	DANV 120	DANV 180	DANV 240	DANV 360	DANV 480
ISO	F04	F05/F07	F05/F07	F05/F07	F07/F10	F07/F10	F07/F10	F10/F12
A	362,3	362,3	397,8	410,5	483	510,5	567,6	634,4
B	14	14	17	17	22	22	22	27
C x depth	M5x8	M6x9	M6x9	M6x9	M8x12	M8x12	M8x12	M10x15
D x depth	-	M8x12	M8x12	M8x12	M10x15	M10x15	M10x15	M12x18
E	42	50	50	50	70	70	70	102
F	-	70	70	70	102	102	102	125
G	13	13	13	13	16	17	19	19
H	33,7	33,7	40,8	42,8	52,5	56,1	58	57,4
J	18	18	18	18	18	18	18	16
K	14	14	14	14	14	14	14	16
I	10	10	12	12	15	15	19	19
L	90,4	90,4	103,3	107	137,5	141,1	148	164,9
M	37,7	37,7	44,8	46,8	56,5	60,1	62	72,9
N	52,7	52,7	58,5	60,2	81	81	86	92
O	16,5	16,5	19,3	19,3	24,8	24,8	24,3	29,5
P	32,7	32,7	38,5	40,2	51	51	56	62
Q	37,7	37,7	44,8	46,8	56,5	60,1	62	72,9
R	14,5	14,5	16,2	18	20,2	22,5	25,5	29
S	20	20	20	20	30	30	30	30
T	70,4	70,4	83,3	87	107,5	111,1	118	134,9
U	99	99	118,5	122,1	144,9	156,8	169,6	193,8
V	180	180	180	180	220	220	300	300
W (Gas)	1/8"	1/8"	1/8"	1/8"	1/8"	1/8"	1/8"	1/4"
X	4	4	4	4	4	4	4	-
Y	137,6	137,6	154,8	163,9	183,5	199,1	220,8	236,4
Z	263,3	263,3	279,3	288,4	338,1	353,7	398	440,6
Ch	13	13	17	22	22	22	22	27
N° giri* N° of turns*	11	11	13	14	16	18	15	16
Peso Weight (Kg)	2,8	2,8	4	4,5	6	8	10,2	13,2
Aria Air (dm3/cycle)	0,3	0,3	0,7	0,59	1,2	1,65	2,3	3,2

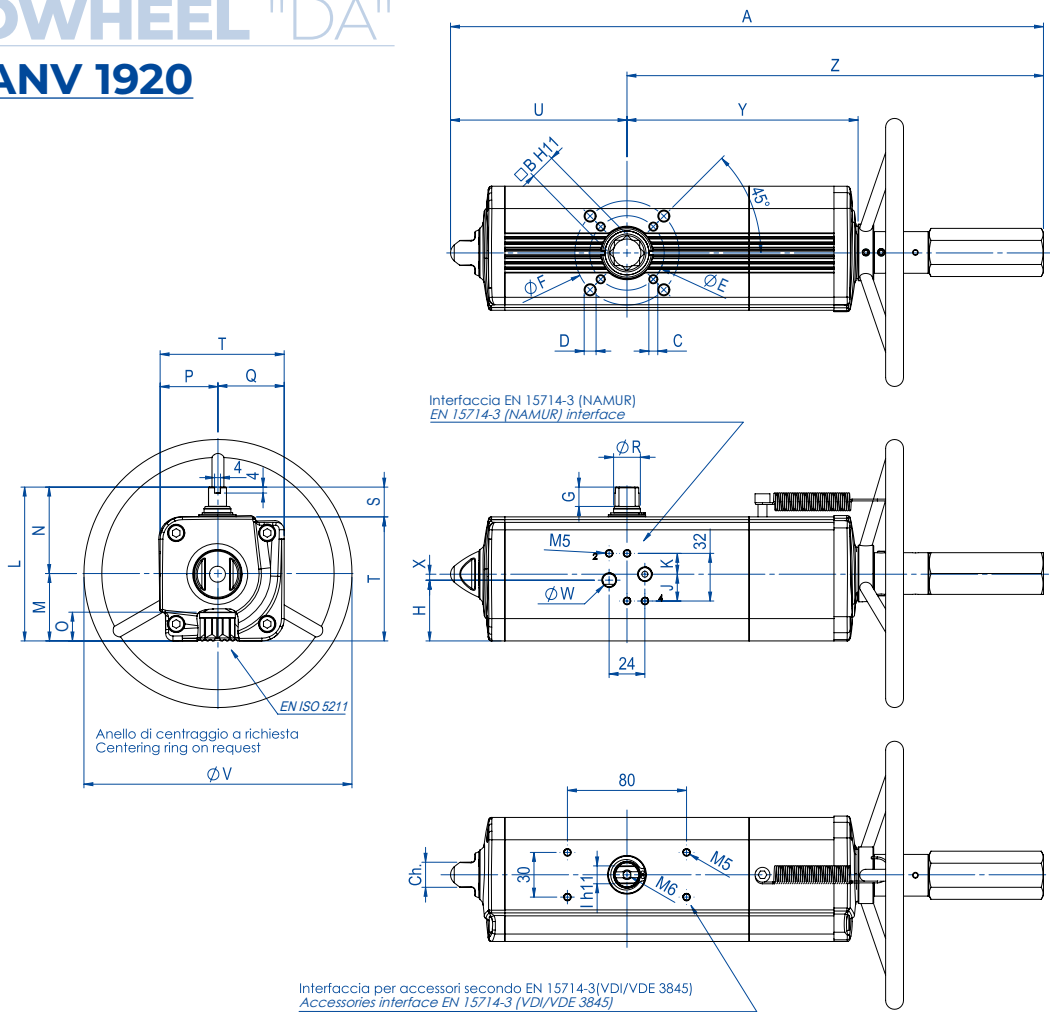
*N° giri teorico per chiu./apert. partendo dalla posizione naturale. *Theoretical n° of turns to close/open starting from neutral position.

Per la tabella dei componenti vedi indice "AGO Tabelle Componenti" a pag. 558. "AGO Components' Table" to be found in the Index on page 559.



AGO HANDWHEEL "DA"

DANV 720 ÷ DANV 1920



SCHEDA TECNICA DATA SHEET							
Codice Code	DANV0720411S	DANV0960411S	DANV0960412S	DANV1440411S	DANV1440412S	DANV1920411S	DANV1920412S
Kit guarniz. Spare Seals	KGGI0023VX	KGGI0024VX		KGGI0025VX		KGGI0026VX	
Misura Size	DANV 720	DANV 960		DANV 1440		DANV 1920	
ISO	F10/F12	F10/F12	F14	F14	F12	F14	F12/F16
A	720,1	758	758	919,9	919,9	954,1	954,1
B	27	36	36	36	36	46	46
C x depth	M10x15	M10x15	M16x24	M16x24	M12x18	M16x24	M12x18
D x depth	M12x18	M12x18	-	-	-	-	M20x30
E	102	102	140	140	125	140	125
F	125	125	-	-	-	-	165
G	19,5	19,5	19,5	19,5	19,5	18,5	18,5
H	61,5	78	78	86,5	86,5	99,2	99,2
J	16	16	16	16	16	16	16
K	16	16	16	16	16	16	16
I	22	24	24	27	27	32	32
L	178	198	198	216	216	237,7	237,7
M	78,5	93,5	93,5	101,5	101,5	114,7	114,7
N	99,5	104,5	104,5	114,5	114,5	123	123
O	29,5	38,5	38,5	38,5	38,5	48,5	48,5
P	69,5	74,5	74,5	84,5	84,5	93	93
Q	78,5	93,5	93,5	101,5	101,5	114,7	114,7
R	31,8	36,5	36,5	41	41	46	46
S	30	30	30	30	30	30	30
T	148	168	168	186	186	207,7	207,7
U	216,6	239,7	239,7	283,5	283,5	300,4	300,4
V	350	350	350	400	400	400	400
W (Gas)	1/4"	1/4"	1/4"	1/4"	1/4"	1/4"	1/4"
X	-	-	-	-	-	-	-
Y	282,3	297,1	297,1	365,6	365,6	382,9	382,9
Z	503,5	518,3	518,3	636,4	636,4	653,7	653,7
Ch	27	27	27	36	36	36	36
N° giri* N° of turns*	19	20		25		26	
Peso Weight (Kg)	17,8	23,8		33,6		43	
Aria Air (dm3/cycle)	4,6	6,05		9,7		12,9	

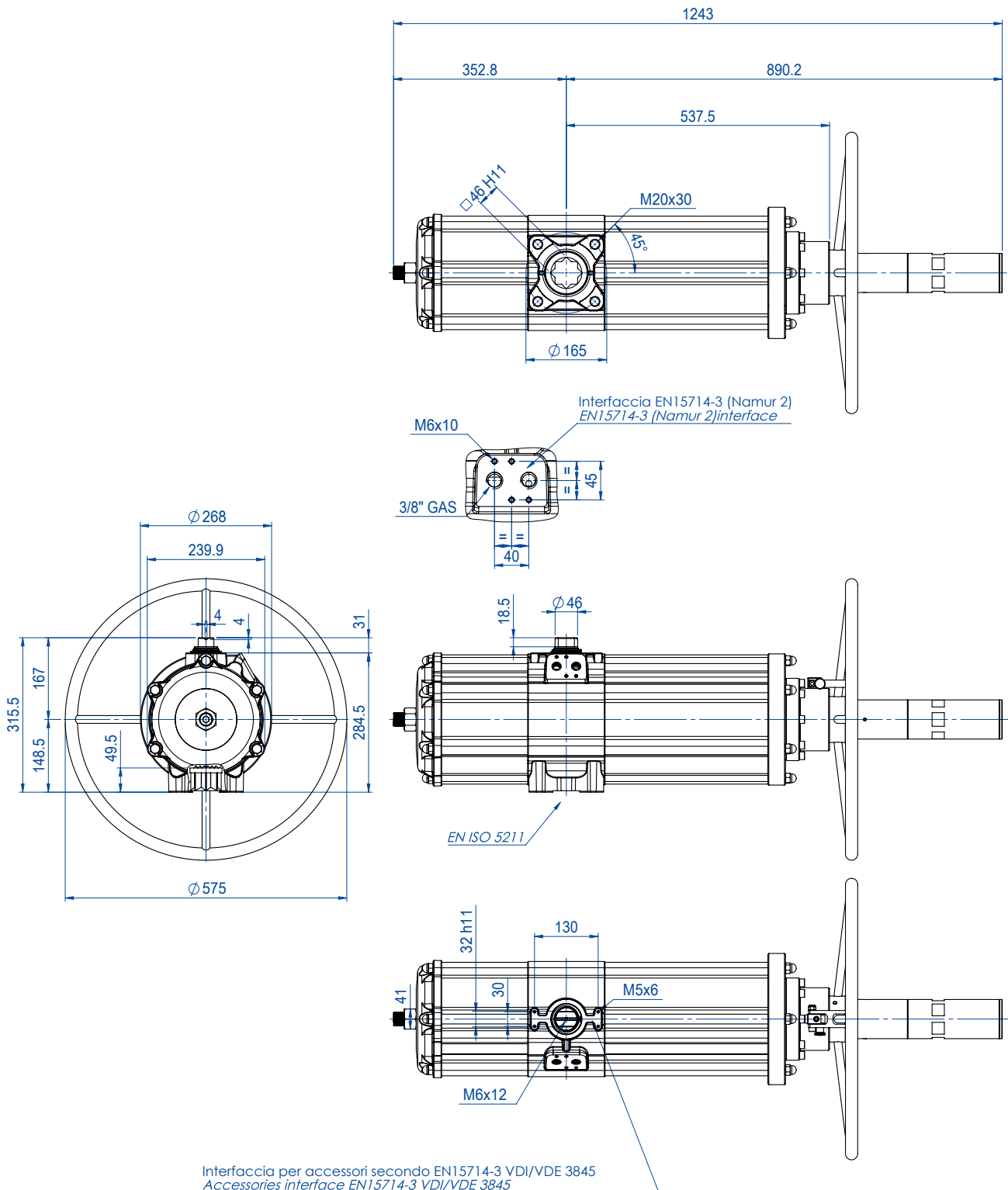
* N° giri teorico per chiu./apert. partendo dalla posizione naturale. *Theoretical n° of turns to close/open starting from neutral position.

Per la tabella dei componenti vedi indice "AGO Tabelle Componenti" a pag. 558. "AGO Components' Table" to be found in the Index on page 559.



AGO HANDWHEEL "DA"

DANV 3840



SCHEDA TECNICA DATA SHEET

Codice Code	DANV3840E1600A
Kit guarniz. Spare Seals	KGGI0130VX
Misura Size	DANV 3840
ISO	F16
N° giri* N° of turns*	30
Peso Weight (Kg)	75
Aria Air (dm3/cycle)	24,3

* N° giri teorico per chiu./apert. partendo dalla posizione naturale. *Theoretical n° of turns to close/open starting from neutral position.

Per la tabella dei componenti vedi indice "AGO Tabelle Componenti" a pag. 558. "AGO Components' Table" to be found in the Index on page 559.



AGO HANDWHEEL "SR"

ATTUATORE PNEUMATICO CON VOLANTINO INTEGRATO PNEUMATIC ACTUATOR WITH INTEGRATED HANDWHEEL



DATI TECNICI

- Coppia da 30 Nm a 1920 Nm.
- Flangia d'attacco: EN ISO 5211
F05 - F07 - F10 - F12 - F14 - F16.
- Conforme alla EN 15714-3.
- Angolo di rotazione: 92° (-1°, +91°).
- Momento torcente: Il momento torcente di ritorno dipende solo dall'azione della molla ed è indipendente dalla pressione di alimentazione. Sono disponibili 4 differenti tarature per la molla; vedi tabella.
- La chiusura automatica per mezzo delle molle avviene in senso orario. In ciascun attuatore la cifra che segue la sigla SRNV corrisponde al valore della coppia di spunto in Nm. alla pressione di 5,6 bar.
- **A richiesta: Versione ATEX in conformità alla direttiva 2014/34/UE.**

CONDIZIONI DI ESERCIZIO

- Temperatura: da -20°C a +80°C. (Versioni speciali: alta temperatura: -20°C +150°C; bassa temperatura: -50°C +60°C).
- Pressione nominale: 5,6 bar; massima di esercizio 8,4 bar.
- Fluido di alimentazione: aria compressa filtrata secca non necessariamente lubrificata.
- In caso di lubrificazione usare olio non detergente, compatibile con NBR.

Qualora richiesto l'attuatore pneumatico a quarto di giro di nostra produzione può essere dotato di un azionamento manuale.

Il dispositivo può essere integrato sia nella versione Doppio Effetto che in quella Semplice Effetto.

Per il buon funzionamento del sistema e per l'integrità meccanica del dispositivo è indispensabile accertarsi che l'attuatore pneumatico sia disconnesso dalle linee di alimentazione di aria compressa prima di compiere alcuna manovra impiegando il dispositivo di azionamento manuale.

Il dispositivo di azionamento manuale agisce sulla trasmissione meccanica primaria dell'attuatore pneumatico e a fronte di coppie applicate al volantino conformi alla norma EN 12570 produce coppie in uscita di pari valore della coppia nominale dell'attuatore stesso.

TECHNICAL FEATURES

- Torque from 30 Nm to 1920 Nm.
- Mounting flange according to EN ISO 5211
F05 - F07 - F10 - F12 - F14 - F16.
- In compliance with EN 15714-3.
- Rotation angle: 92° (-1°, +91°).
- Torque: the return torque depends on spring action only notwithstanding the air supply. The spring is provided in four different sizes (see table).
- The code numbers after the letters SRNV, always correspond to the breakaway torque in Nm by 5,6 bar air supply.
- The actuator automatic closing takes place in clockwise direction by means of its springs.
- **On request: ATEX version in conformity with directive 2014/34/EU.**

WORKING CONDITION

- Temperature: from -20°C to +80°C. (Special versions: high temperature: -20°C +150°C; low temperature: -50°C +60°).
- Air supply: 5,6 bar; maximum 8,4 bar.
- Actuating media: filtered dry compressed air, not necessarily lubricated.
- In case of lubricated air, either non detergent oil, NBR compatible oil, must be used.

Once required the quarter turn pneumatic actuator can be equipped with a manual handwheel.

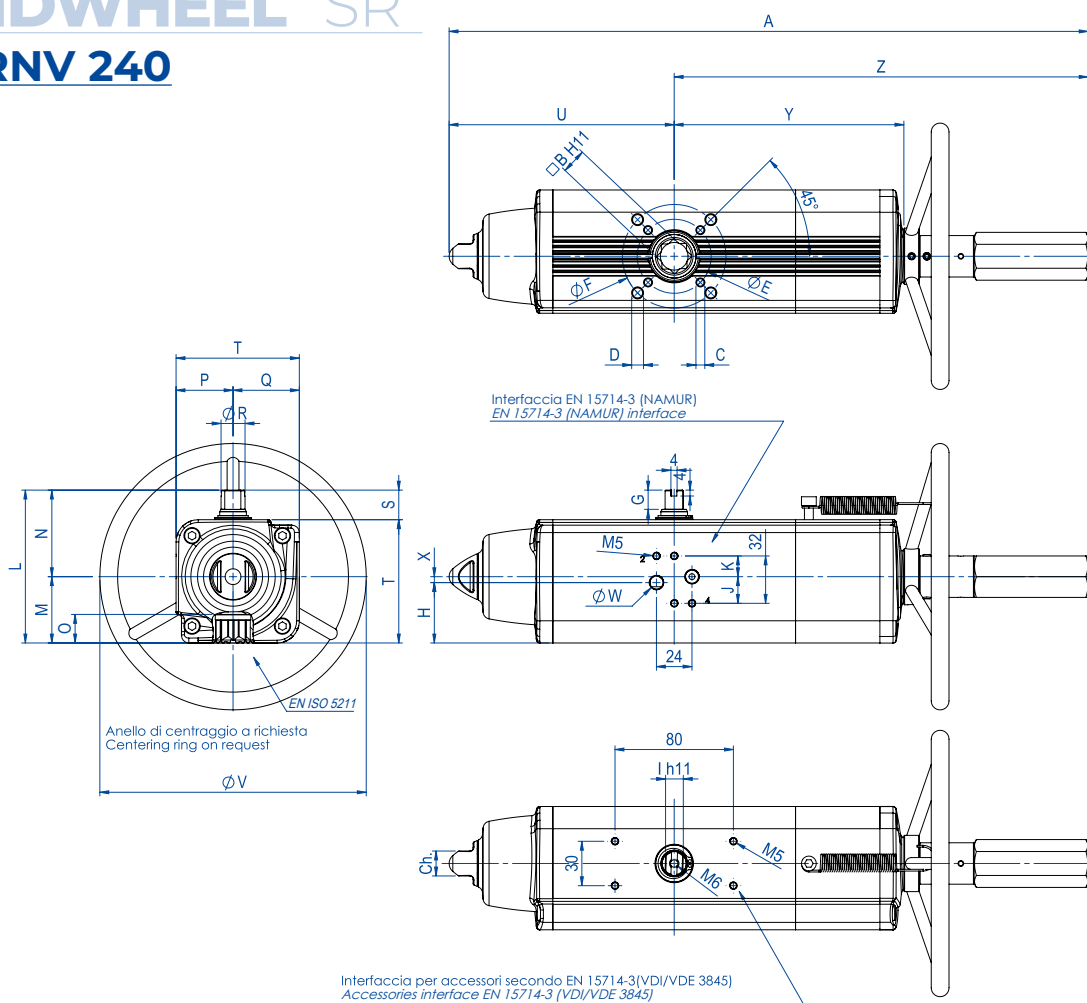
The device can be integrated either in Double Acting and Spring Return versions. For the proper functioning of the system and for the mechanical integrity of the device is essential to ensure that the pneumatic actuator is disconnected from the power lines of compressed air before performing any operation using the manual handwheel.

The manual handwheel acts on the transmission of the primary mechanical transmission of the pneumatic actuator and with torques applied to the handwheel according to EN 12570 it releases output torque of equal value of the nominal torque of the actuator.



AGO HANDWHEEL "SR"

SRNV 30 ÷ SRNV 240



SCHEDA TECNICA DATA SHEET

Codice Code	SRNV0030401S	SRNV0030402S	SRNV0053401S	SRNV0060401S	SRNV0090401S	SRNV0120401S	SRNV0180401S	SRNV0240401S
Kit guarniz. Spare Seals	KGGI0016VX	KGGI0016VX	KGGI0060VX	KGGI0018VX	KGGI0019VX	KGGI0020VX	KGGI0021VX	KGGI0022VX
Misura Size	SRNV 30	SRNV 30	SRNV 53	SRNV 60	SRNV 90	SRNV 120	SRNV 180	SRNV 240
ISO	F04	F05/F07	F05/F07	F05/F07	F07/F10	F07/F10	F07/F10	F10/F12
A	392,7	392,7	431,4	457,7	534,9	558,5	635	700,8
B	14	14	17	17	22	22	22	27
C x depth	M5x8	M6x9	M6x9	M6x9	M8x12	M8x12	M8x12	M10x15
D x depth	-	M8x12	M8x12	M8x12	M10x15	M10x15	M10x15	M12x18
E	42	50	50	50	70	70	70	102
F	-	70	70	70	102	102	102	125
G	13	13	13	13	16	17	19	19
H	33,7	33,7	40,8	42,8	52,5	56,1	58	57,4
J	18	18	18	18	18	18	18	16
K	14	14	14	14	14	14	14	16
I	10	10	12	12	15	15	19	19
L	90,4	90,4	103,3	107	137,5	141,1	148	164,9
M	37,7	37,7	44,8	46,8	56,5	60,1	62	72,9
N	52,7	52,7	58,5	60,2	81	81	86	92
O	16,5	16,5	19,3	19,3	24,8	24,8	24,3	29,5
P	32,7	32,7	38,5	40,2	51	51	56	62
Q	37,7	37,7	44,8	46,8	56,5	60,1	62	72,9
R	14,5	14,5	16,2	18	20,2	22,5	25,5	29
S	20	20	20	20	30	30	30	30
T	70,4	70,4	83,3	87	107,5	111,1	118	134,9
U	129,4	129,4	152,1	169,3	196,8	204,8	237	260,2
V	180	180	180	180	220	220	300	300
W (Gas)	1/8"	1/8"	1/8"	1/8"	1/8"	1/8"	1/8"	1/4"
X	4	4	4	4	4	4	4	-
Y	137,6	137,6	154,8	163,9	183,5	199,1	220,8	236,4
Z	263,3	263,3	279,3	288,4	338,1	353,7	398	440,6
Ch	13	13	17	17	22	22	22	27
N° giri* N° of turns*	11	11	13	14	16	18	15	16
Peso Weight (Kg)	3,2	3,2	4,5	5,3	6,8	9	11,7	15,2
Aria Air (dm3/cycle)	0,17	0,17	0,3	0,33	0,55	0,8	1	1,5

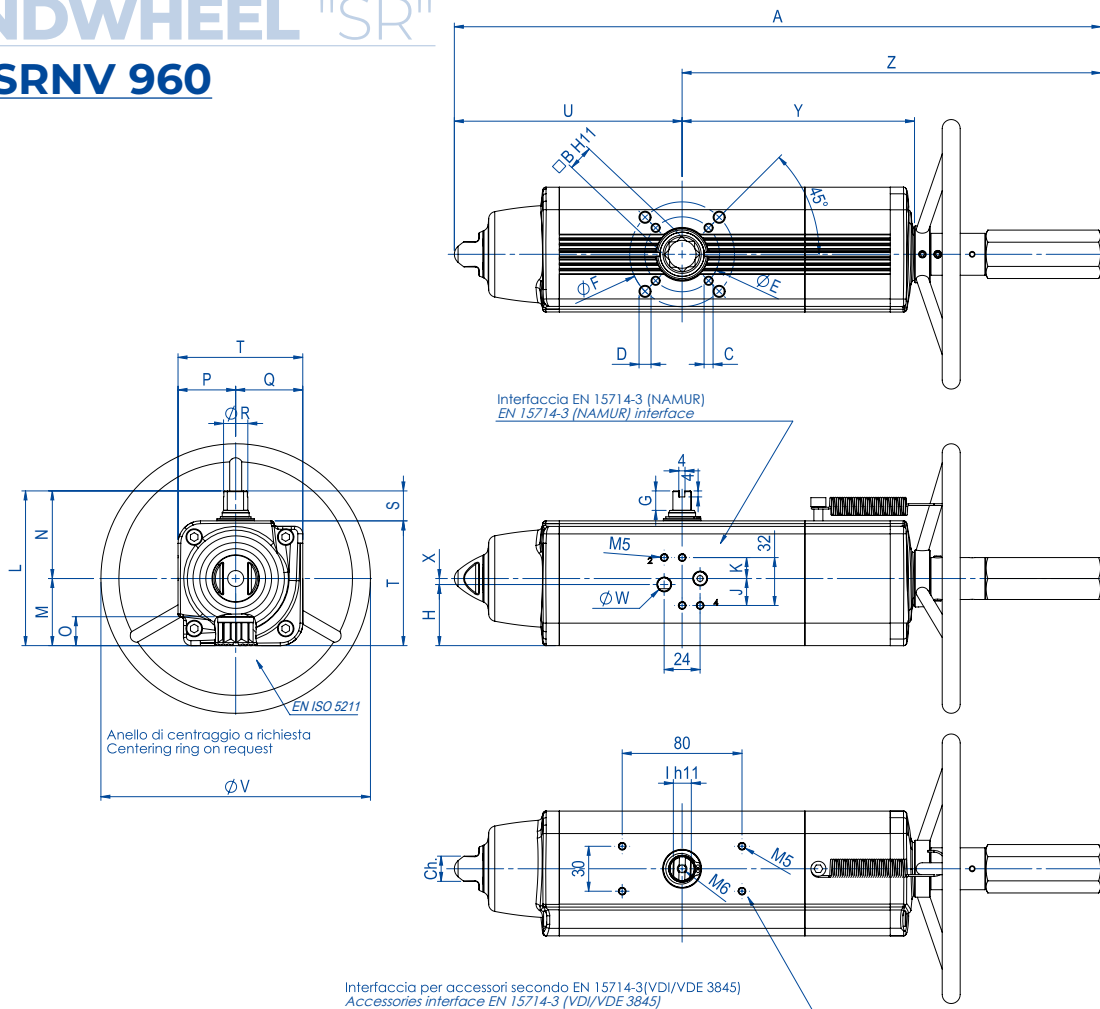
*N° giri teorico per chiu./apert. partendo dalla posizione naturale. *Theoretical n° of turns to close/open starting from neutral position.

Per la tabella dei componenti vedi indice "AGO Tabelle Componenti" a pag. 558. "AGO Components' Table" to be found in the Index on page 559.



AGO HANDWHEEL "SR"

SRNV 360 ÷ SRNV 960



SCHEDA TECNICA DATA SHEET

Codice Code	SRNV0360401S	SRNV0480401S	SRNV0480402S	SRNV0720401S	SRNV0720402S	SRNV0960401S	SRNV0960402S
Kit guarniz. Spare Seals	KGGI0023VX	KGGI0024VX		KGGI0025VX		KGGI0026VX	
Misura Size	SRNV 360	SRNV 480		SRNV 720		SRNV 960	
ISO	F10/F12	F10/F12	F14	F14	F12	F14	F12/F16
A	810,1	842,4	842,4	1035,4	1035,4	1067,7	1067,7
B	27	36	36	36	36	46	46
C x depth	M10x15	M10x15	M16x24	M16x24	M12x18	M16x24	M12x18
D x depth	M12x18	M12x18	-	-	-	-	M20x30
E	102	102	140	140	125	140	125
F	125	125	-	-	-	-	165
G	19,5	19,5	19,5	19,5	19,5	18,5	18,5
H	61,5	78	78	86,5	86,5	99,2	99,2
J	16	16	16	16	16	16	16
K	16	16	16	16	16	16	16
I	22	24	24	27	27	32	32
L	178	198	198	216	216	237,7	237,7
M	78,5	93,5	93,5	101,5	101,5	114,7	114,7
N	99,5	104,5	104,5	114,5	114,5	123	123
O	29,5	38,5	38,5	38,5	38,5	48,5	48,5
P	69,5	74,5	74,5	84,5	84,5	93	93
Q	78,5	93,5	93,5	101,5	101,5	114,7	114,7
R	31,8	36,5	36,5	41	41	46	46
S	30	30	30	30	30	30	30
T	148	168	168	186	186	207,7	207,7
U	306,6	324,1	324,1	399	399	414	414
V	350	350	350	400	400	400	400
W (Gas)	1/4"	1/4"	1/4"	1/4"	1/4"	1/4"	1/4"
X	-	-	-	-	-	-	-
Y	282,3	297,1	297,1	365,6	365,6	382,9	382,9
Z	503,5	518,3	518,3	636,4	636,4	653,7	653,7
Ch	27	27	27	36	36	36	36
N° giri* N° of turns*	19		20		25		26
Peso Weight (Kg)	19,5		28,1		38,8		50,6
Aria Air (dm3/cycle)	2		2,8		4,2		5,9

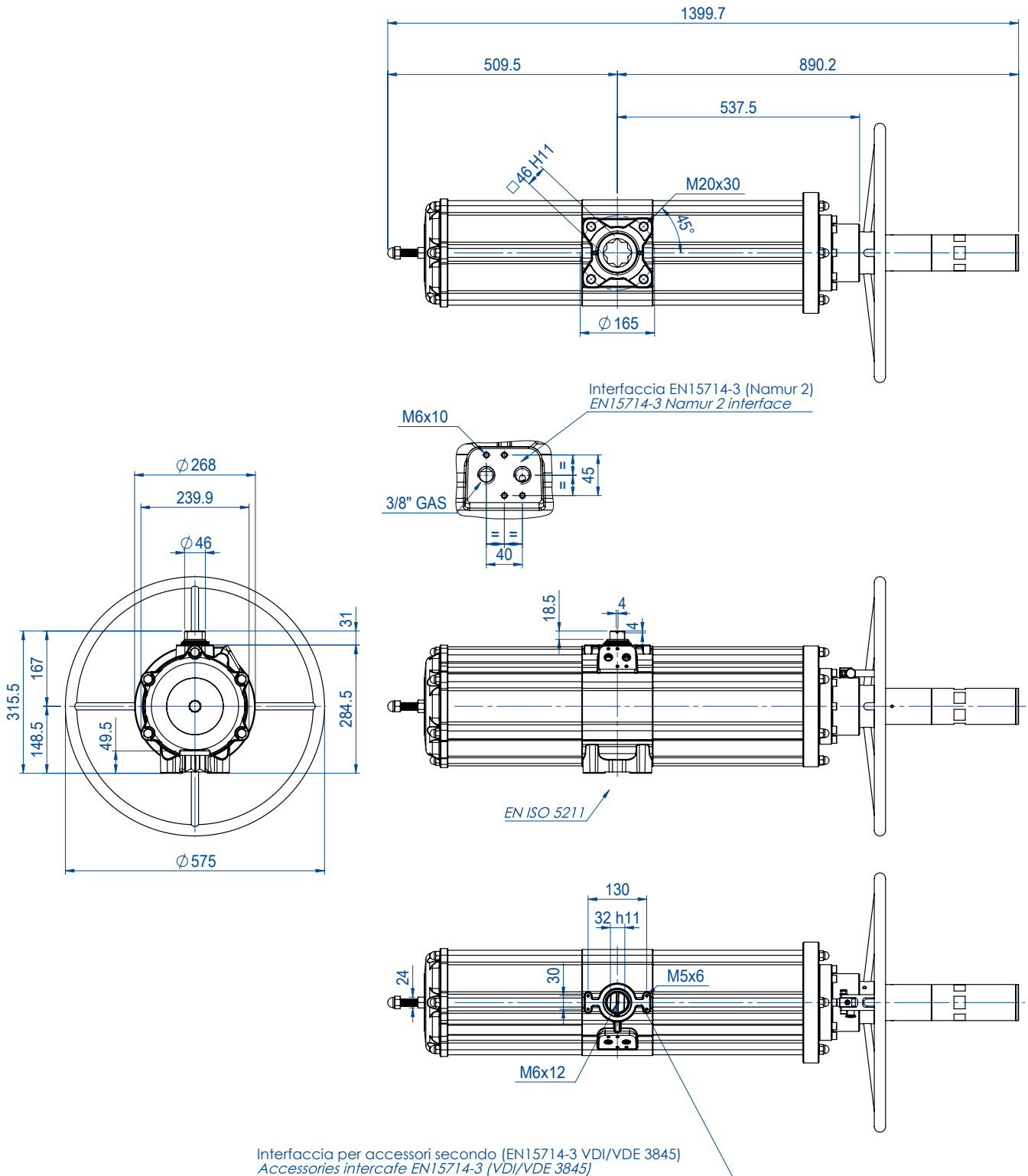
* N° giri teorico per chiu./apert. partendo dalla posizione naturale. *Theoretical n° of turns to close/open starting from neutral position.

Per la tabella dei componenti vedi indice "AGO Tabelle Componenti" a pag. 558. "AGO Components' Table" to be found in the Index on page 559.



AGO HANDWHEEL "SR"

SRNV 1920



SCHEDA TECNICA DATA SHEET

Codice Code		SRNV1920E1608A
Kit guarniz. Spare Seals		KGGI0230VX
Misura Size		SRNV 1920
ISO		F16
N° giri* N° of turns*		30
Peso Weight (Kg)		91
Aria Air (dm3/cycle)		12,5

* N° giri teorico per chiu./apert. partendo dalla posizione naturale. *Theoretical n° of turns to close/open starting from neutral position.

Per la tabella dei componenti vedi indice "AGO Tabelle Componenti" a pag. 558. "AGO Components' Table" to be found in the Index on page 559.

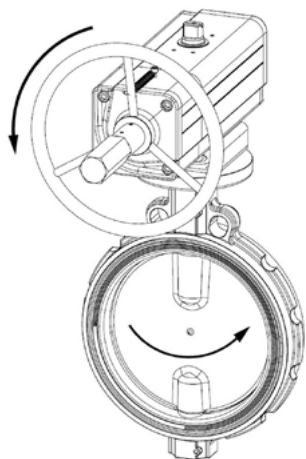


AGO HANDWHEEL - SCHEMA DI FUNZIONAMENTO

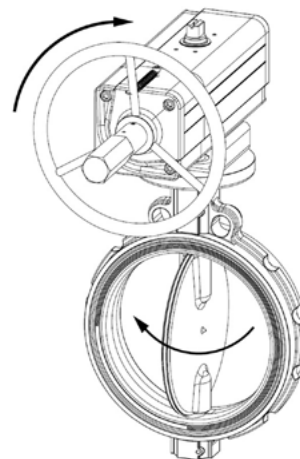
AGO HANDWHEEL - WORKING PLANE

Prima di azionare manualmente, assicurarsi che l'attuatore sia privo d'aria in pressione.
Prior to operate manually, ensure that the actuator is free from pressure.

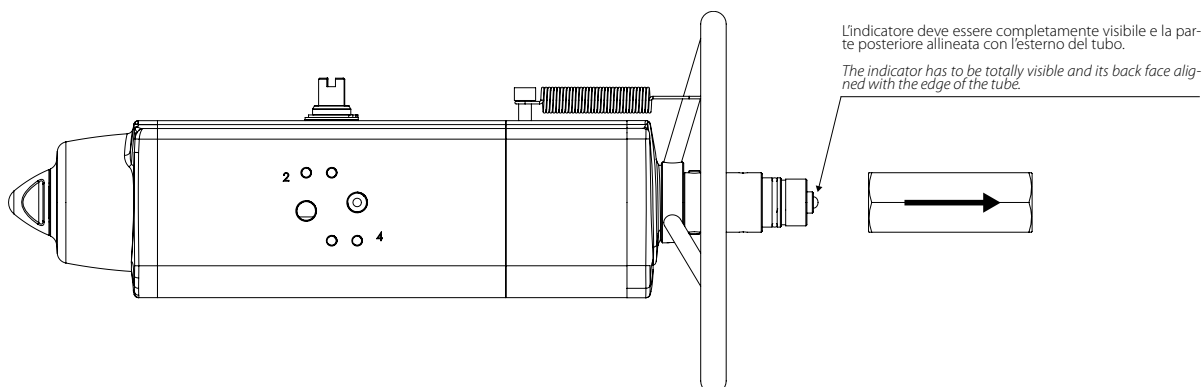
APRIRE LA VALVOLA
TO OPEN THE VALVE



CHIUDERE LA VALVOLA
TO CLOSE THE VALVE

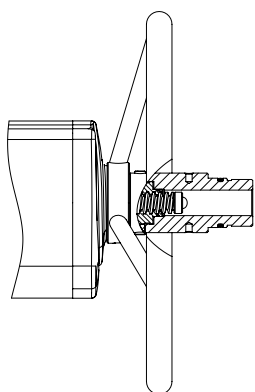


Dopo che l'attuatore è stato azionato manualmente, ritornare alla posizione neutrale prima di riprendere l'azionamento pneumatico.
When the actuator has been manually operated, return to the neutral position prior to start normal operation.



POSIZIONE NEUTRALE NEUTRAL POSITION

Con la vite in posizione neutrale, il pistone può muoversi liberamente e l'attuatore può essere comandato pneumaticamente.
Whit the screw in neutral position the piston can move freely and the actuator can be driven pneumatically.



AZIONAMENTO MANUALE

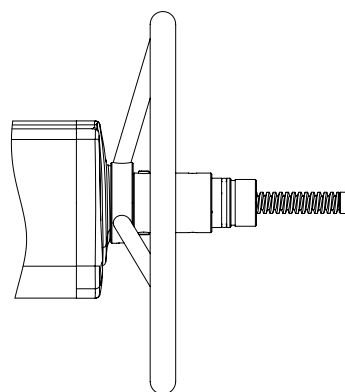
DANV: Quando il volantino gira in senso antiorario, spinge la vite e i pistoni verso l'interno. La valvola si apre.

SRNV: Quando il volantino gira in senso orario, spinge la vite e i pistoni verso l'interno. La valvola si chiude.

MANUAL OPERATION

DANV: When the handwheel turned counter clockwise, pushes the screw and piston inwards. The valve opens.

SRNV: When the handwheel turned clockwise pushes the screw and piston inwards. The valve closes.



AZIONAMENTO MANUALE

DANV: Quando il volantino gira in senso orario, tira la vite e i pistoni verso l'esterno. La valvola si chiude.

SRNV: Quando il volantino gira in senso antiorario, tira la vite e i pistoni verso esterno. La valvola si apre.

MANUAL OPERATION

DANV: When the handwheel is turned clockwise, the screw and piston are drawn outwards. The valve closes.

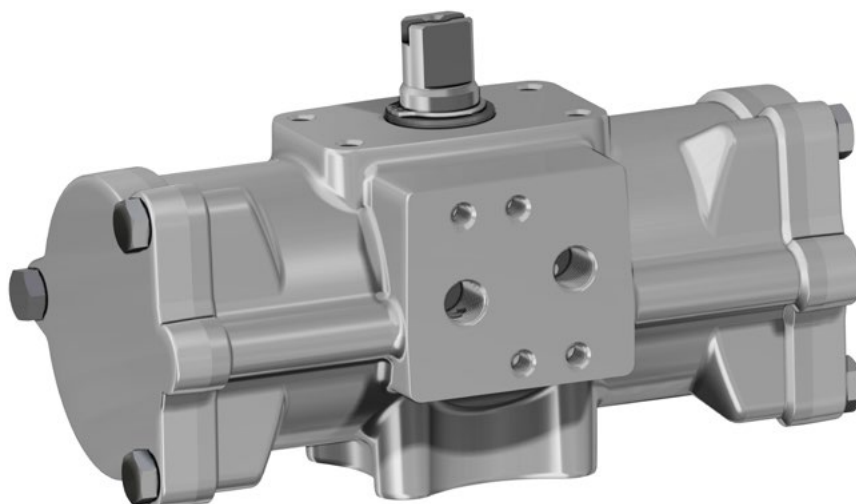
SRNV: When the handwheel is turned counter clockwise, the screw and the piston are drawn outwards. The valve opens.





AGO CF8M "DA"

ATTUATORE PNEUMATICO INOX CF8M MICROFUSO PNEUMATIC ACTUATOR INOX PRECISION CASTING CF8M



DATI TECNICI

- Coppia da 15 Nm. a 480 Nm.
- Flangia d'attacco: ISO 5211; F03 - F05 - F07 - F10.
- Conforme alla EN 15714-3.
- Angolo di rotazione: 92° (-1°, +91°).
- Momento torcente: Direttamente proporzionale alla pressione di alimentazione; vedi tabella attuatori pneumatici DA catalogo generale.
- In ciascun attuatore la cifra che segue la sigla DA corrisponde al valore della coppia di spunto in Nm. alla pressione di 5,6 bar.
- Dalla misura DA 60 è possibile il montaggio diretto di elettrovalvole NAMUR sull'attuatore. Le misure DA15-DA30 necessitano dell'interfaccia NAMUR.
- **A richiesta: Versione ATEX in conformità alla direttiva 2014/34/UE.**

TECHNICAL FEATURES

- Torque from 15 Nm to 480 Nm.
- Mounting flange according to ISO 5211; F03 - F05 - F07 - F10.
- In compliance with EN 15714-3.
- Rotation angle: 92° (-1°, +91°).
- Torque: directly proportional to the air supply (see table - general catalogue pneumatic actuator DA).
- The code numbers after the DA letters, always correspond to the breakaway torque in Nm by 5,6 bar air supply.
- Sizes from DA 60 direct connection with NAMUR solenoid valve. Sizes DA15 - DA30 can be provided with NAMUR plate on request.
- **On request: ATEX version in conformity with directive 2014/34/EU.**

CONDIZIONI DI ESERCIZIO

- Temperatura: da -20°C a +80°C.
- Pressione nominale: 5,6 bar; massima di esercizio 8,4 bar.
- Fluido di alimentazione: aria compressa filtrata secca non necessariamente lubrificata. In caso di lubrificazione usare olio non detergente, compatibile con NBR.

WORKING CONDITION

- Temperature: from -20°C to +80°C.
- Air supply: 5,6 bar; maximum 8,4 bar.
- Actuating media: filtered dry compressed air, not necessarily lubricated. In case of lubricated air, either non detergent oil, NBR compatible oil, must be used.

SCHEDA TECNICA DATA SHEET

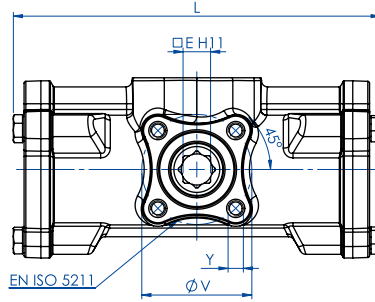
Codice Code		DA015516S	DA030516S	DA060516S	DA120516S	DA240516S	DA480516S
Guarnizioni ricambio Spare seals		KGXI0112	KGXI0114	KGXI0116	KGXI0118	KGXI0120	KGXI0122
Misura Size		DA 15 F03	DA 30 F03	DA 60 F03-F05	DA 120 F05-F07	DA 240 F05-F07	DA 480 F07-F10
L	mm.	120	134,6	158,4	192,9	246,8	298,4
A	mm.	72,4	80,4	92,5	116,5	136,4	160
B	mm.	13,4	11,6	-	-	-	-
C	mm.	12	13	-	-	-	-
D	mm.	28,2	32,7	37,7	46,2	56,2	68
□E	mm.	9	9	11	14	17	22
F	mm.	2	2	2	3	3	3
Ch. G	mm.	8	9	10	12	15	19
H	mm.	10	10	13	13	17	19
N	mm.	23	23	20	30	30	30
X	mm.	59	68	80,3	94,4	117	139,7
J	mm.	10,2	10,2	12,2	16,3	19,3	24,3
ØK	mm.	25	25	25	35	35	55
Q	mm.	50	50	50	80	80	80
P	mm.	25	25	25	30	30	30
ØU	mm.	-	-	50	70	70	102
ØV	mm.	36	36	36	50	50	70
Y x prof. depth	mm.	M5x9	M5x9	M5x9	M6x11	M6x11	M8x13
W x prof. depth	mm.	-	-	M6x11	M8x15	M8x13	M10x22
aria air dm ³ /cycle		0,079	0,148	0,28	0,59	1,18	2,38
peso weight	Kg.	0,8	1,2	1,8	3,3	5,6	9,5

Per la tabella dei componenti vedi indice "AGO Tabelle Componenti" a pag. 558. "AGO Components' Table" to be found in the Index on page 559.

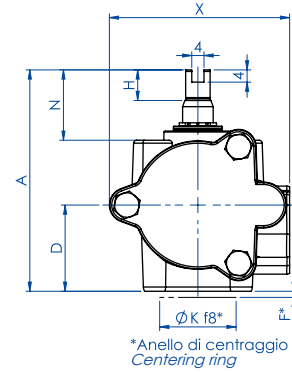
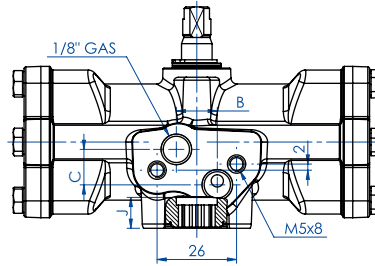
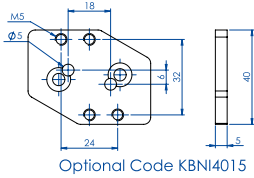


AGO CF8M "DA"

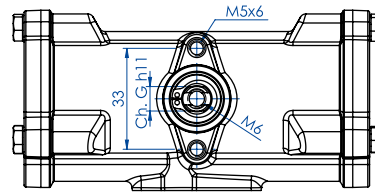
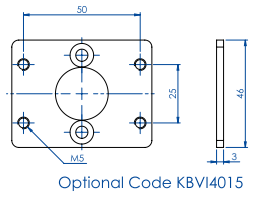
DA 15 ÷ DA 30



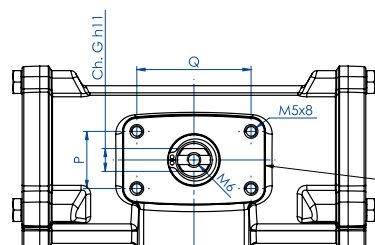
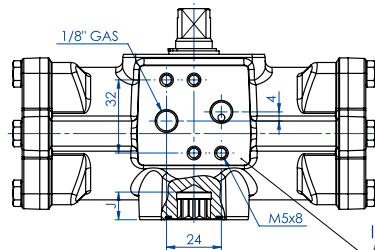
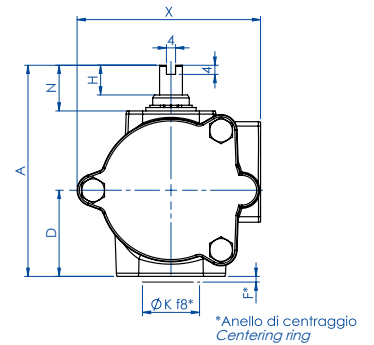
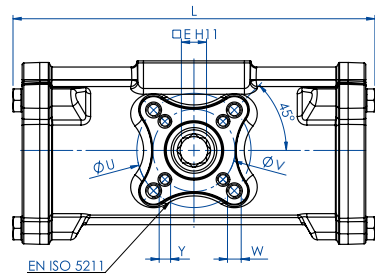
Interfaccia EN 15714-3 (Napur) a richiesta
EN 15714-3 (Napur) interface on request



Interfaccia EN 15714-3 (Napur) a richiesta
EN 15714-3 (Napur) interface on request



DA 60 ÷ DA 480

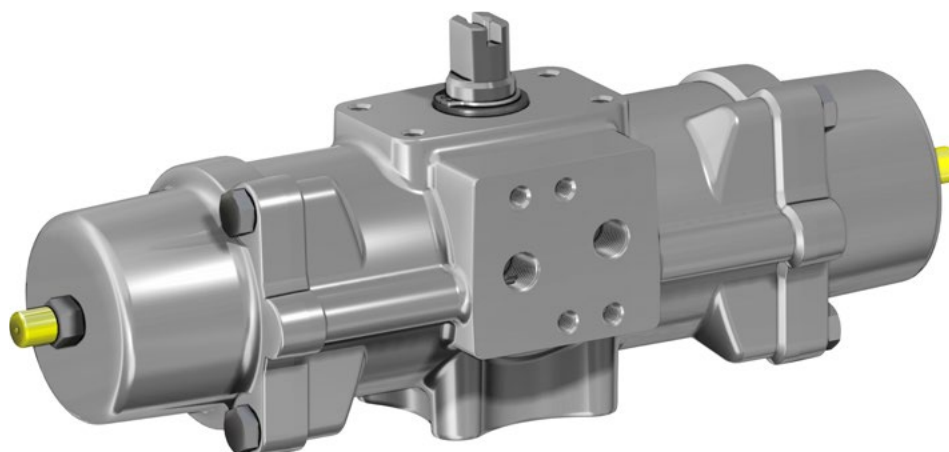


PNEUMATIC ACTUATORS



AGO CF8M "SR"

ATTUATORE PNEUMATICO INOX CF8M MICROFUSO PNEUMATIC ACTUATOR INOX PRECISION CASTING CF8M



DATI TECNICI

- Coppia da 15 Nm a 240 Nm.
- Flangia d'attacco: ISO 5211; F03 - F05 - F07 - F10.
- Conforme alla EN 15714-3.
- Angolo di rotazione: 92° (-1°, +91°).
- Momento torcente: Il momento torcente di ritorno dipende solo dall'azione della molla ed è indipendente dalla pressione di alimentazione. Sono disponibili 4 differenti tarature per la molla; vedi tabella attuatori pneumatici SR.
- La chiusura automatica per mezzo delle molle avviene in senso orario. In ciascun attuatore la cifra che segue la sigla SR corrisponde al valore della coppia di spunto in Nm. alla pressione di 5,6 bar.
- Dalla misura SR 30 è possibile il montaggio diretto di elettrovalvole NAMUR sull'attuatore. La misura SR 15 necessita dell'interfaccia NAMUR.
- **A richiesta: Versione ATEX in conformità alla direttiva 2014/34/UE.**

TECHNICAL FEATURES

- Torque from 15 Nm to 240 Nm.
- Mounting flange according to ISO 5211; F03 - F05 - F07 - F10.
- In compliance with EN 15714-3.
- Rotation angle: 92° (-1°, +91°)
- Torque: the return torque depends on spring action only notwithstanding the air supply. The spring is provided in four different sizes (see table - general catalogue pneumatic actuator SR). The code numbers after the letters SR, always correspond to the breakaway torque in Nm by 5,6 bar air supply.
- The actuator automatic closing takes place in clockwise direction by means of its springs.
- Sizes from SR 30 direct connection with NAMUR solenoid valve. Size SR15 can be provided with NAMUR plate on request
- **On request: ATEX version in conformity with directive 2014/34/EU.**

CONDIZIONI DI ESERCIZIO

- Temperatura: da -20°C a +80°C.
- Pressione nominale: 5,6 bar; massima di esercizio 8,4 bar.
- Fluido di alimentazione: aria compressa filtrata secca non necessariamente lubrificata. In caso di lubrificazione usare olio non detergente, compatibile con NBR.

WORKING CONDITION

- Temperature: from -20°C to +80°C.
- Air supply: 5,6 bar; maximum 8,4 bar.
- Actuating media: filtered dry compressed air, not necessarily lubricated. In case of lubricated air, either non detergent oil, NBR compatible oil, must be used.

SCHEDA TECNICA DATA SHEET

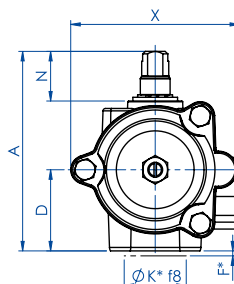
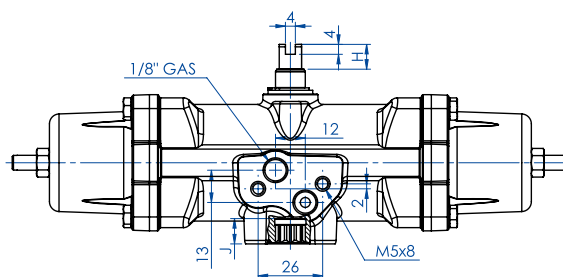
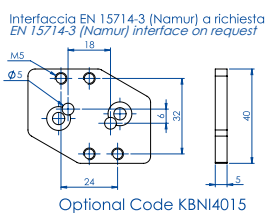
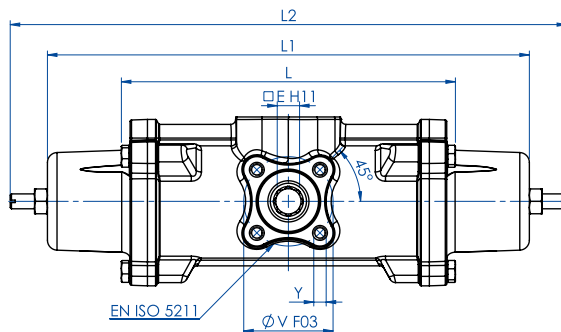
Codice Code		SR015516S	SR030516S	SR060516S	SR120516S	SR240516S
Guarnizioni ricambio Spare seals		KGXI0114	KGXI0116	KGXI0118	KGXI0120	KGXI0122
Misura Size		SR 15 F03	SR 30 F03-F05	SR 60 F05-F07	SR 120 F05-F07	SR 240 F07-F10
L	mm.	134,6	158,4	192,9	246,8	298,4
L1	mm.	194,2	217,9	287,5	341,2	421
L2	mm.	224	246,2	316,5	376,2	463,9
A	mm.	80,4	92,5	116,5	136,4	160
D	mm.	32,7	37,7	46,2	56,2	68
□E	mm.	9	11	14	17	22
F	mm.	2	2	3	3	3
Ch. G	mm.	9	10	12	15	19
H	mm.	10	13	13	17	19
N	mm.	23	20	30	30	30
X	mm.	68	80,3	94,4	117	139,7
J	mm.	10,2	12,2	16,3	19,3	24,3
ØK	mm.	25	25	35	35	55
Q	mm.	50	50	80	80	80
P	mm.	25	25	30	30	30
ØU	mm.	-	50	70	70	102
ØV	mm.	36	36	50	50	70
Y x prof. depth	mm.	M5x9	M5x9	M6x11	M6x11	M8x13
W x prof. depth	mm.	-	M6x11	M8x15	M8x13	M10x22
aria air dm ³ /cycle		0,086	0,16	0,33	0,7	1,38
peso weight	Kg.	1,6	2,4	4,5	7,6	12,9

Per la tabella dei componenti vedi indice "AGO Tabelle Componenti" a pag. 558. "AGO Components' Table" to be found in the Index on page 559.

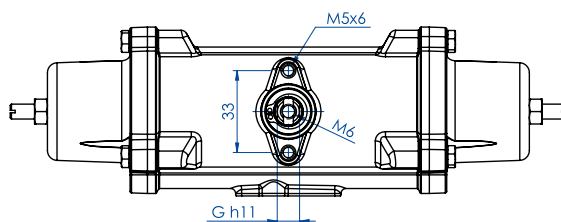
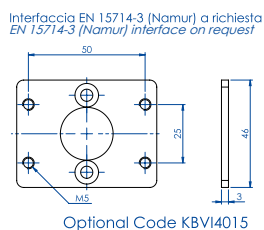


AGO CF8M "SR"

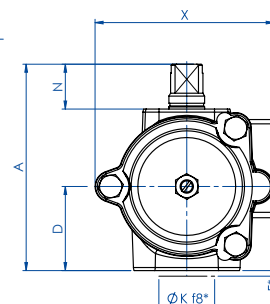
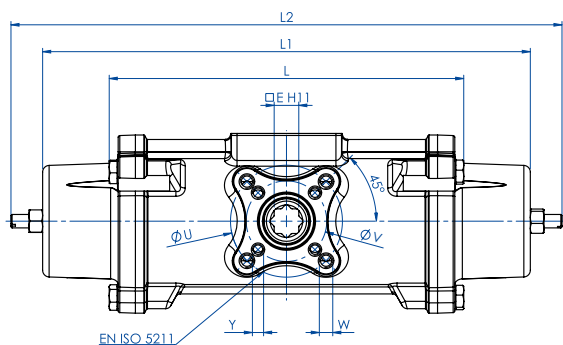
SR 15



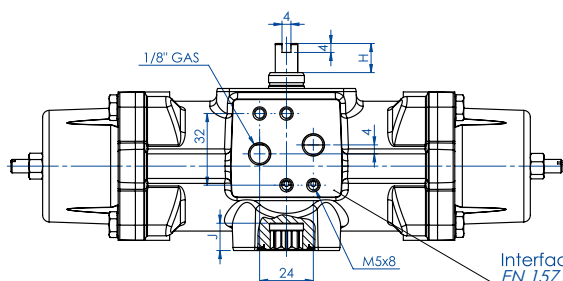
*Anello di centraggio
*Centering ring



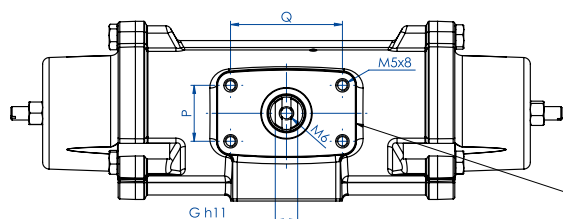
SR 30 ÷ SR 240



*Anello di centraggio
Centering ring



Interfaccia EN 15714-3 (Namur)
EN 15714-3 (Namur) interface



Interfaccia per accessori
EN 15714-3 (VDI/VDE 3845)
Accessories interface
EN 15714-3 (VDI/VDE 3845)



AGO 316 "DA"

ATTUATORE PNEUMATICO INOX 316 DA BARRA
PNEUMATIC ACTUATOR INOX 316 FROM SOLID BAR



DATI TECNICI

- Coppia da 720 Nm. a 1920 Nm.
- Flangia d'attacco: EN ISO 5211 F10 - F12 - F14 - F16.
- Conforme alle EN 15714-3.
- Angolo di rotazione: 92° (-1°, +91°).
- Momento torcente: Direttamente proporzionale alla pressione di alimentazione; vedi tabella attuatori pneumatici DA catalogo generale.
- In ciascun attuatore la cifra che segue la sigla DA corrisponde al valore della coppia di spunto in Nm. alla pressione di 5,6 bar.
- **A richiesta: Versione ATEX in conformità alla direttiva 2014/34/UE.**

CONDIZIONI DI ESERCIZIO

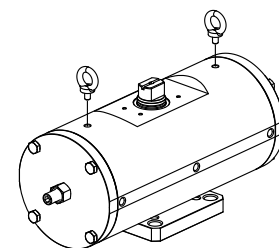
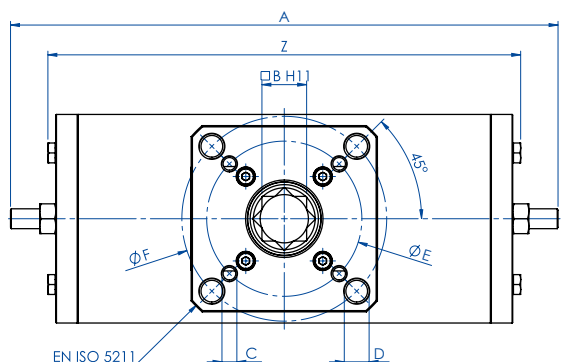
- Temperatura: da -20°C a +80°C.
- Pressione nominale: 5,6 bar; massima di esercizio 8,4 bar.
- Fluido di alimentazione: aria compressa filtrata secca non necessariamente lubrificata. In caso di lubrificazione usare olio non detergente, compatibile con NBR.

TECHNICAL FEATURES

- Torque from 720 Nm to 1920 Nm.
- Mounting flange according to EN ISO 5211 F10 - F12 - F14 - F16.
- In compliance with EN 15714-3.
- Rotation angle: 92° (-1°, +91°).
- Torque: directly proportional to the air supply (see table - general catalogue pneumatic actuator DA).
- The code numbers after the DA letters, always correspond to the breakaway torque in Nm by 5,6 bar air supply.
- **On request: ATEX version in conformity with directive 2014/34/EU.**

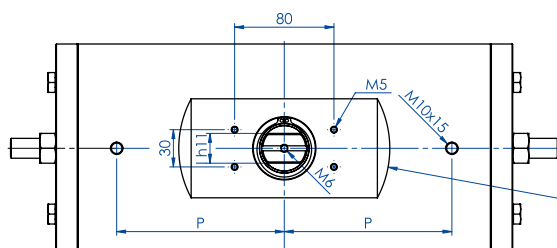
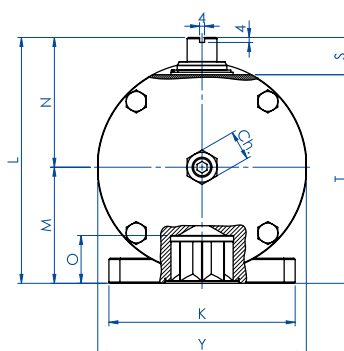
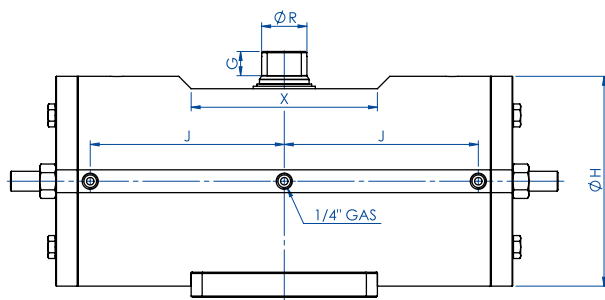
WORKING CONDITION

- Temperature: from -20°C to +80°C.
- Air supply: 5,6 bar; maximum 8,4 bar.
- Actuating media: filtered dry compressed air, not necessarily lubricated. In case of lubricated air, either non detergent oil, NBR compatible oil, must be used.



I punti di sollevamento sono progettati per il solo attuatore
Per il sollevamento utilizzare due golfari M10

For the lifting use n° 2 eyebolts M10
Lifting point are designed for actuator only



Interfaccia per accessori
EN 15714-3 (VDI/VDE 3845)

Accessories interface
EN 15714-3 (VDI/VDE 3845)

SCHEDA TECNICA DATA SHEET

Codice Code	DA0720416S	DA0960416S	DA1440424S	DA1440416S	DA1920416S
Guarnizioni ricambio Spare seals	KGXI0023	KGXI0024	KGXI0025	KGXI0025	KGXI0026
Misura Size	DA0720 F10/F12	DA0960 F12/F16	DA1440 F12	DA1440 F14	DA1920 F12/F16
A	401,5	441	524,8	524,8	562
□B	27	36	36	36	46
C x depth	M10x11,5	M12x20	M12x18	M16x18	M12x23
D x depth	M12x11,5	M20x20	-	-	M20x23
ØE	102	125	125	140	125
ØF	125	165	-	-	165
G	19,5	19,5	19,5	19,5	18,5
ØH	156	169	188	188	211
I	22	24	27	27	32
J	138,5	156,3	179,5	179,5	192
K	115	150	130	130	150
L	178	198	216	216	237,7
M	78,5	93,5	101,5	101,5	114,7
N	99,5	104,5	114,5	114,5	123
O	29,5	38,5	38,5	38,5	48,5
P	116	135	160	160	160
ØR	31,8	36,5	41	41	46
S	30	30	30	30	30
T	148	168	186	186	207,7
X	150	150	150	150	150
Y	155	168	187	187	209
Z	345,8	381	433,8	433,8	469
Ch	24	24	30	30	30
Weight (Kg)	30	40	50,5	50,5	73
Air (dm ³ /cycle) (l/cycle)	3,50	4,9	7,60	7,60	10,2

Per la tabella dei componenti vedi indice "AGO Tabelle Componenti" a pag. 558. "AGO Components' Table" to be found in the Index on page 559.



AGO 316 "SR"

ATTUATORE PNEUMATICO INOX 316 DA BARRA

PNEUMATIC ACTUATOR INOX 316 FROM SOLID BAR



DATI TECNICI

- Coppia da 360 Nm. a 960 Nm.
- Flangia d'attacco: EN ISO 5211; F10 - F12 - F14 - F16.
- Conforme alla EN 15714-3.
- Angolo di rotazione: 92° (-1°, +91°).
- Momento torcente: Il momento torcente di ritorno dipende solo dall'azione della molla ed è indipendente dalla pressione di alimentazione. Sono disponibili 4 differenti tarature per la molla; vedi tabella attuatori pneumatici SR catalogo generale.
- La chiusura automatica per mezzo delle molle avviene in senso orario. In ciascun attuatore la cifra che segue la sigla SR corrisponde al valore della coppia di spunto in Nm. alla pressione di 5,6 bar.
- **A richiesta: Versione ATEX in conformità alla direttiva 2014/34/UE.**

CONDIZIONI DI ESERCIZIO

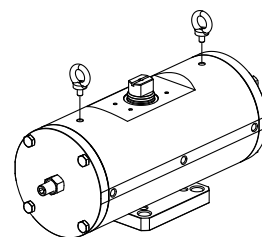
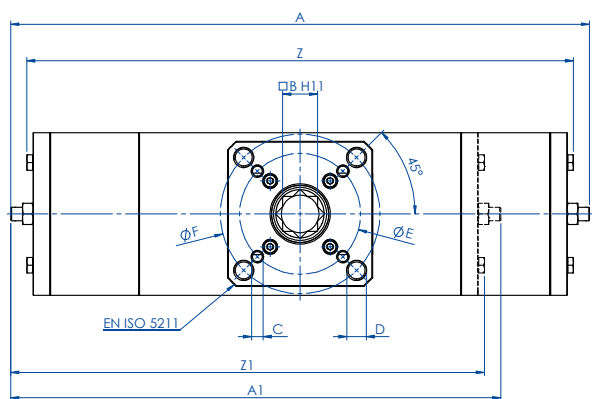
- Temperatura: da -20°C a +80°C.
- Pressione nominale: 5,6 bar; massima di esercizio 8,4 bar.
- Fluido di alimentazione: aria compressa filtrata secca non necessariamente lubrificata. In caso di lubrificazione usare olio non detergente, compatibile con NBR.

TECHNICAL FEATURES

- Torque from 360 Nm to 960 Nm.
- Mounting flange according to EN ISO 5211; F10 - F12 - F14 - F16.
- In compliance with EN 15714-3.
- Rotation angle: 92° (-1°, +91°).
- Torque: the return torque depends on spring action only notwithstanding the air supply. The spring is provided in four different sizes (see table - general catalogue pneumatic actuator SR).
- The code numbers after the letters SR, always correspond to the breakaway torque in Nm by 5,6 bar air supply. The actuator automatic closing takes place in clockwise direction by means of its springs.
- **On request: ATEX version in conformity with directive 2014/34/EU.**

WORKING CONDITION

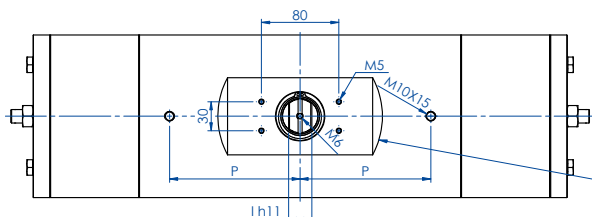
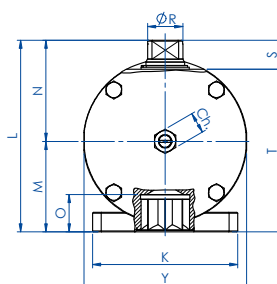
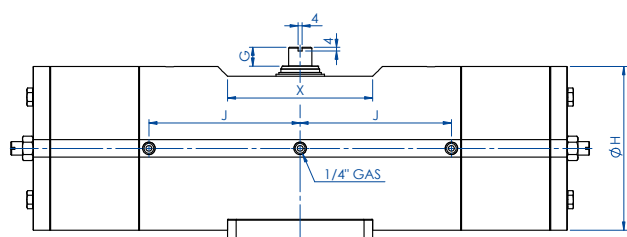
- Temperature: from -20°C to +80°C.
- Air supply: 5,6 bar; maximum 8,4 bar.
- Actuating media: filtered dry compressed air, not necessarily lubricated. In case of lubricated air, either non detergent oil, NBR compatible oil, must be used.



I punti di sollevamento sono progettati per il solo attuatore
Per il sollevamento utilizzare due golfari M10

For the lifting use n° 2 eyebolts M10

Lifting point are designed for actuator only



Interfaccia per accessori
EN 15714-3 (VDI/VDE 3845)

Accessories interface
EN 15714-3 (VDI/VDE 3845)

SCHEDA TECNICA DATA SHEET

Codice Code	SR0360416S	SR0480416S	SR0720424S	SR0720416S	SR0960416S
Guarnizioni ricambio Spare seals	KGXI0023	KGXI0024	KGXI0025	KGXI0025	KGXI0026
Misura Size	SR0360 F10/F12	SR0480 F12/F16	SR0720 F12	SR0720 F14	SR0960 F12/F16
A	565,5	598	736,8	736,8	769,6
A1 (2,8 Bar)	483,5	506	630,8	630,8	645
□B	27	36	36	36	46
C x depth	M10x11,5	M12x20	M12x18	M16x18	M12x23
D x depth	M12x11,5	M20x20	-	-	M20x23
ØE	102	125	125	140	125
ØF	125	165	-	-	165
G	19,5	19,5	19,5	19,5	18,5
ØH	156	169	188	188	211
I	22	24	27	27	32
J	138,5	156,3	179,5	179,5	192
K	115	150	130	130	150
L	178	198	216	216	237,7
M	78,5	93,5	101,5	101,5	114,7
N	99,5	104,5	114,5	114,5	123
O	29,5	38,5	38,5	38,5	48,5
P	116	135	160	160	160
Q	-	-	-	-	-
Q2	-	-	-	-	-
ØR	31,8	36,5	41	41	46
S	30	30	30	30	30
S2	-	-	-	-	-
T	148	168	186	186	207,7
T2	-	-	-	-	-
X	150	150	150	150	150
Y	155	168	187	187	209
Z	525,8	565	685	685	718,4
Z1 (2,8 Bar)	435,8	473	559,4	559,4	593,8
Ch	22	22	24	24	24
Ch1 (2,8 Bar)	24	24	30	30	30
Weight (Kg)	45,5	60	82,5	82,5	112
Weight (2,8 Bar) (Kg)	37,5	51	77	77	96
Air (dm3/cycle) (l/cycle)	2,00	2,8	4,20	4,20	5,9

Per la tabella dei componenti vedi indice "AGO Tabelle Componenti" a pag. 558. "AGO Components' Table" to be found in the Index on page 559.



AGO A105 "DA"

ATTUATORE PNEUMATICO ACCIAIO AL CARBONIO A105 PNEUMATIC ACTUATOR CARBON STEEL A105



DATI TECNICI

- Coppia da 720 Nm. a 1920 Nm.
- Flangia d'attacco: EN ISO 5211 F10 - F12 - F14 - F16.
- Conforme alle EN 15714-3.
- Angolo di rotazione: 92° (-1° +91°).
- Momento torcente: Direttamente proporzionale alla pressione di alimentazione; vedi tabella attuatori pneumatici DA.
- In ciascun attuatore la cifra che segue la sigla DA corrisponde al valore della coppia di spunto in Nm. alla pressione di 5,6 bar.
- Attuatori con verniciatura epossidica.
- **A richiesta: Versione ATEX in conformità alla direttiva 2014/34/UE.**

CONDIZIONI DI ESERCIZIO

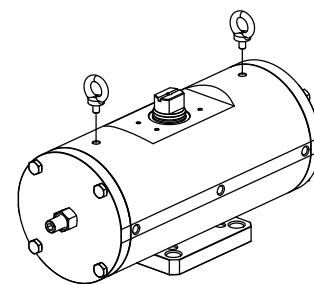
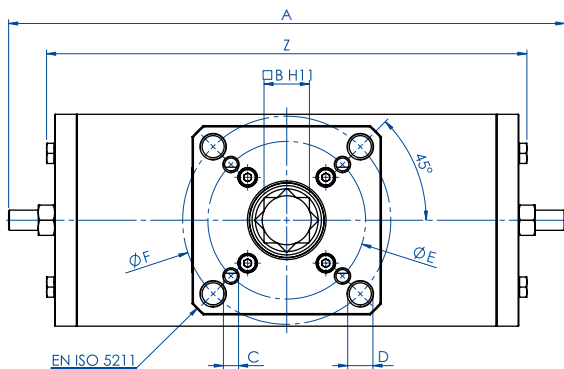
- Temperatura: da -20°C a +80°C.
- Pressione nominale: 5,6 bar; massima di esercizio 8,4 bar.
- Fluido di alimentazione: aria compressa filtrata secca non necessariamente lubrificata. In caso di lubrificazione usare olio non detergente, compatibile con NBR.

TECHNICAL FEATURES

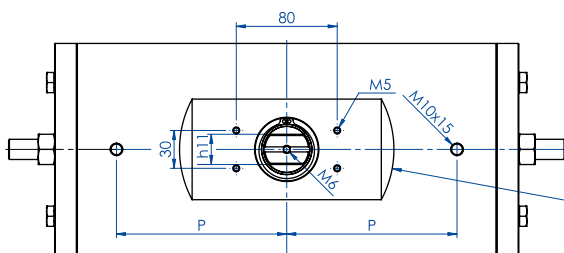
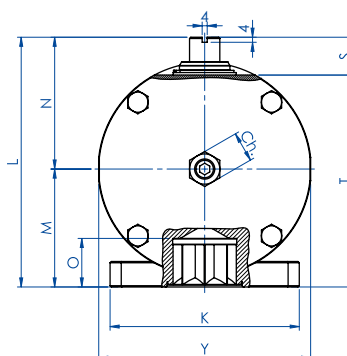
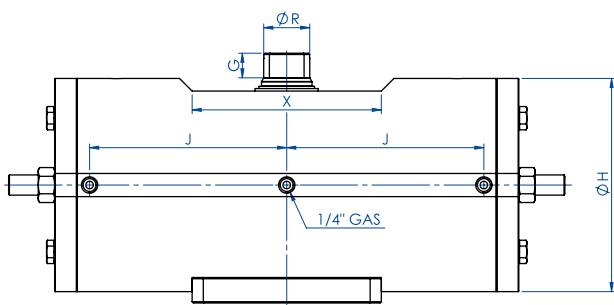
- Torque from 720 Nm to 1920 Nm.
- Mounting flange according to EN ISO 5211 F03 - F05 - F07 - F10 - F12 - F16.
- In compliance with EN 15714-3.
- Rotation angle 92° (-1° +91°).
- Torque: directly proportional to the air supply (see table pneumatic actuator DA).
- The code numbers after the DA letters, always correspond to the breakaway torque in Nm by 5,6 bar air supply.
- Actuator with epoxy painting.
- **On request: ATEX version in conformity with directive 2014/34/EU.**

WORKING CONDITION

- Temperature: from -20°C to +80°C.
- Air supply: 5,6 bar; maximum 8,4 bar.
- Actuating media: filtered dry compressed air, not necessarily lubricated. In case of lubricated air, either non detergent oil, NBR compatible oil, must be used.



I punti di sollevamento sono progettati per il solo attuatore
 Per il sollevamento utilizzare due golfari M10
 For the lifting use n° 2 eyebolts M10
 Lifting point are designed for actuator only



Interfaccia per accessori
 EN 15714-3 (VDI/VDE 3845)
 Accessories interface
 EN 15714-3 (VDI/VDE 3845)

SCHEDA TECNICA DATA SHEET

Codice Code	DAC0720416S	DAC0960416S	DAC1440424S	DAC1440416S	DAC1920416S
Guarnizioni ricambio Spare seals	KGXI0023	KGXI0024	KGXI0025	KGXI0025	KGXI0026
Misura Size	DAC0720 F10/F12	DAC0960 F12/F16	DAC1440 F12	DAC1440 F14	DAC1920 F12/F16
A	401,5	441	524,8	524,8	562
B	27	36	36	36	46
C x depth	M10x11,5	M12x20	M12x18	M16x18	M12x23
D x depth	M12x11,5	M20x20	-	-	M20x23
ØE	102	125	125	140	125
ØF	125	165	-	-	165
G	19,5	19,5	19,5	19,5	18,5
ØH	156	169	188	188	211
I	22	24	27	27	32
J	138,5	156,3	179,5	179,5	192
K	115	150	130	130	150
L	178	198	216	216	237,7
M	78,5	93,5	101,5	101,5	114,7
N	99,5	104,5	114,5	114,5	123
O	29,5	38,5	38,5	38,5	48,5
P	116	135	160	160	160
ØR	31,8	36,5	41	41	46
S	30	30	30	30	30
T	148	168	186	186	207,7
X	150	150	150	150	150
Y	155	168	187	187	209
Z	345,8	381	433,8	433,8	469
Ch	24	24	30	30	30
Weight (Kg)	30	40	50,5	50,5	73
Air (dm3/cycle) (l/cycle)	3,50	4,9	7,60	7,60	10,2

Per la tabella dei componenti vedi indice "AGO Tabelle Componenti" a pag. 558. "AGO Components' Table" to be found in the Index on page 559.



AGO A105 "SR"

ATTUATORE PNEUMATICO ACCIAIO AL CARBONIO A105 PNEUMATIC ACTUATOR CARBON STEEL A105



DATI TECNICI

- Coppia da 360 Nm. a 960 Nm.
- Flangia d'attacco: EN ISO 5211; F10 - F12 - F14 - F16.
- Conforme alle EN 15714-3.
- Angolo di rotazione: 92° (-1°, +91°).
- Momento torcente: Il momento torcente di ritorno dipende solo dall'azione della molla ed è indipendente dalla pressione di alimentazione. Sono disponibili 4 differenti tarature per la molla; vedi tabella attuatori pneumatici SR catalogo generale.
- La chiusura automatica per mezzo delle molle avviene in senso orario. In ciascun attuatore la cifra che segue la sigla SR corrisponde al valore della coppia di spunto in Nm. alla pressione di 5,6 bar.
- Attuatori con verniciatura epossidica.
- **A richiesta: Versione ATEX in conformità alla direttiva 2014/34/UE.**

CONDIZIONI DI ESERCIZIO

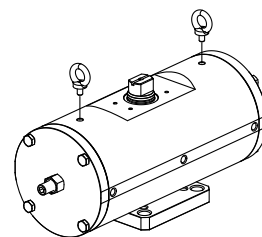
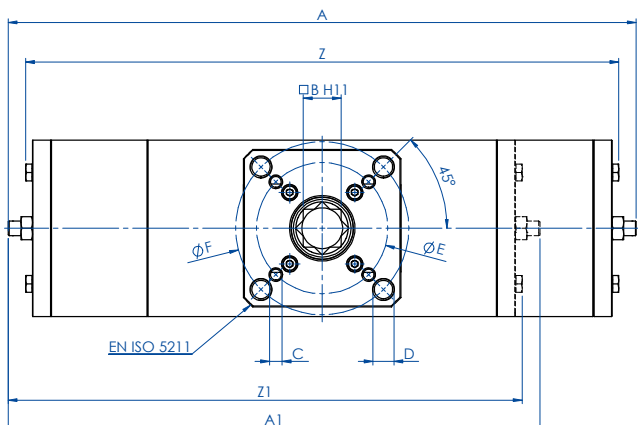
- Temperatura: da -20°C a +80°C.
- Pressione nominale: 5,6 bar; massima di esercizio 8,4 bar.
- Fluido di alimentazione: aria compressa filtrata secca non necessariamente lubrificata. In caso di lubrificazione usare olio non detergente, compatibile con NBR.

TECHNICAL FEATURES

- Torque from 360 Nm to 960 Nm.
- Mounting flange according to EN ISO 5211; F10 - F12 - F14 - F16.
- In compliance with EN 15714-3.
- Rotation angle 92° (-1°, +91°).
- Torque: the return torque depends on spring action only notwithstanding the air supply. The spring is provided in four different sizes (see table - general catalogue pneumatic actuator SR).
- The code numbers after the letters SR, always correspond to the breakaway torque in Nm by 5,6 bar air supply. The actuator automatic closing takes place in clockwise direction by means of its springs.
- Actuator with epoxy painting.
- **On request: ATEX version in conformity with directive 2014/34/EU.**

WORKING CONDITION

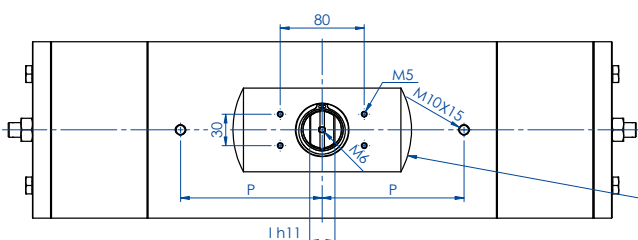
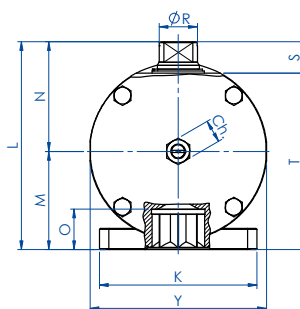
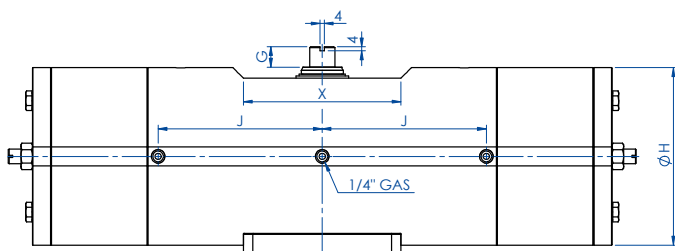
- Temperature: from -20°C to +80°C.
- Air supply: 5,6 bar; maximum 8,4 bar.
- Actuating media: filtered dry compressed air, not necessarily lubricated. In case of lubricated air, either non detergent oil, NBR compatible oil, must be used.



I punti di sollevamento sono progettati per il solo attuatore
Per il sollevamento utilizzare due golfari M10

For the lifting use n° 2 eyebolts M10

Lifting point are designed for actuator only



Interfaccia per accessori
EN 15714-3 (VDI/VDE 3845)

Accessories interface
EN 15714-3 (VDI/VDE 3845)

SCHEDA TECNICA DATA SHEET

Codice Code	SRC0360416S	SRC0480416S	SRC0720424S	SRC0720416S	SRC0960416S
Guarnizioni ricambio Spare seals	KGXI0023	KGXI0024	KGXI0025	KGXI0025	KGXI0026
Misura Size	SRC0360 F10/F12	SRC0480 F12/F16	SRC0720 F12	SRC0720 F14	SRC0960 F12/F16
A	565,5	598	736,8	736,8	769,6
A1 (2,8 Bar)	483,5	506	630,8	630,8	645
□B	27	36	36	36	46
C x depth	M10x11,5	M12x20	M12x18	M16x18	M12x23
D x depth	M12x11,5	M20x20	-	-	M20x23
ØE	102	125	125	140	125
ØF	125	165	-	-	165
G	19,5	19,5	19,5	19,5	18,5
ØH	156	169	188	188	211
I	22	24	27	27	32
J	138,5	156,3	179,5	179,5	192
K	115	150	130	130	150
L	178	198	216	216	237,7
M	78,5	93,5	101,5	101,5	114,7
N	99,5	104,5	114,5	114,5	123
O	29,5	38,5	38,5	38,5	48,5
P	116	135	160	160	160
ØR	31,8	36,5	41	41	46
S	30	30	30	30	30
T	148	168	186	186	207,7
X	150	150	150	150	150
Y	155	168	187	187	209
Z	525,8	565	685	685	718,4
Z1 (2,8 Bar)	435,8	473	559,4	559,4	593,8
Ch	22	22	24	24	24
Ch1 (2,8 Bar)	24	24	30	30	30
Weight (Kg)	45,5	60	82,5	82,5	112
Weight (2,8 Bar) (Kg)	37,5	51	77	77	96
Air (dm3/cycle) (l/cycle)	2,00	2,8	4,20	4,20	5,9

Per la tabella dei componenti vedi indice "AGO Tabelle Componenti" a pag. 558. "AGO Components' Table" to be found in the Index on page 559.



AGO TWO STAGE

ATTUATORE PNEUMATICO DOSATORE IN ALLUMINIO ALUMINIUM TWO STAGE PNEUMATIC ACTUATOR



DATI TECNICI

- Angolo di rotazione dosaggio: max 45°.
- Angolo di rotazione attuatore: 92° (-1°, +91°).
- Momento torcente: vedi tabella degli attuatori relativi.
- In ciascun dosatore la cifra che segue la sigla DDN corrisponde al valore della coppia di spunto in Nm. alla pressione di 5,6 bar.

TECHNICAL FEATURES

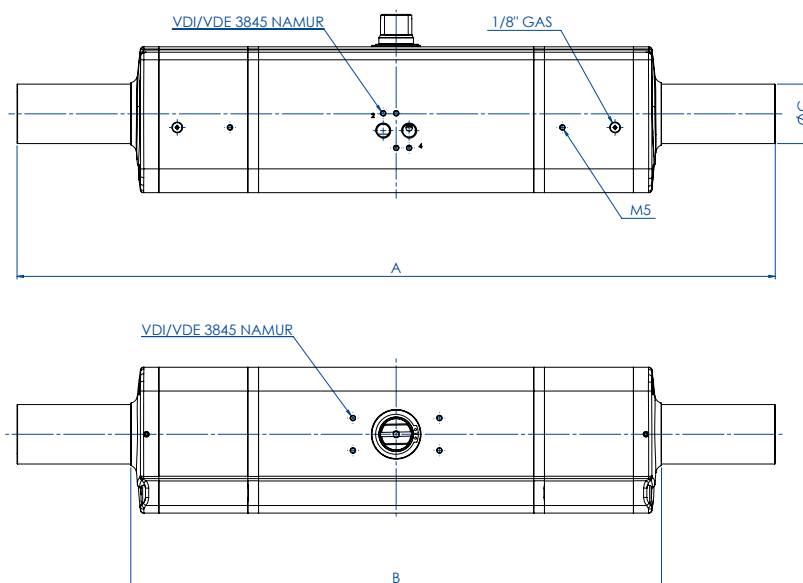
- Metering rotation angle: 45° max.
- Max. rotation angle: 92° (-1°, +91°).
- Torque (see the corresponding actuator tables).
- The code numbers after the letters DDN, always correspond to the breakaway torque in Nm at 5,6 bar air supply.

CONDIZIONI DI ESERCIZIO

- Temperatura: da -20°C a +80°C.
- Pressione nominale: 5,6 bar; massima di esercizio 8,4 bar.
- Fluido di alimentazione: aria compressa filtrata secca non necessariamente lubrificata. In caso di lubrificazione usare olio non detergente, compatibile con NBR.

WORKING CONDITION

- Temperature: from -20°C to +80°C.
- Air supply: 5,6 bar; maximum 8,4 bar.
- Actuating media: filtered dry compressed air, not necessarily lubricated. In case of lubricated air, either non detergent oil, NBR compatible oil, must be used.

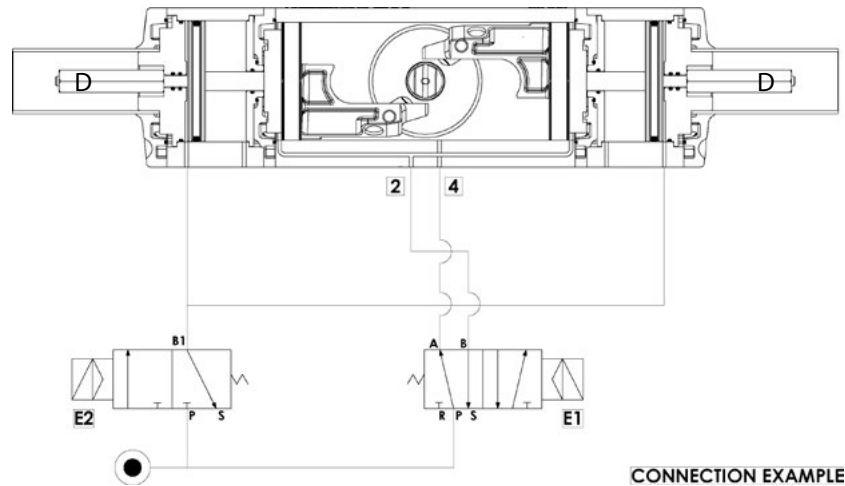


		SCHEDA TECNICA DATA SHEET						
Codice Code		DDN030401S	DDN030402S	DDN060401S	DDN060402S	DDN106401S	DDN240401S	DDN480401S
Misura Size		DDN 30 F03-F05	DDN 30 F04	DDN 60 F04	DDN 60 F05-F07	DDN 106 F05-F07	DDN 240 F07-F10	DDN 480 F10-F12
A [mm]		355	355	423	423	502	589	702
B [mm]		245	245	278	278	345	416	491
C [mm]		29	29	29	29	29	40	55
peso weight Kg.		1,8	1,8	2,8	2,8	4,7	8	14,3

Per la tabella dei componenti vedi indice "AGO Tabelle Componenti" a pag. 558. "AGO Components' Table" to be found in the Index on page 559.



SCHEMA DI FUNZIONAMENTO WORKING PLANE



Condizioni generali di utilizzo e principio funzionamento

UTILIZZO: Riempitura-Dosaggio di materie liquide o semisolidi tramite il dispositivo di dosatura.

Attuatore a doppia azione per dosaggi grossolani o fini.

ESECUZIONE: Secondo EN ISO 5211, conforme a EN 15714-3.

METODO DI LAVORO: Il modello base è l'attuatore OMAL doppio effetto. Ad esso sono stati aggiunti due cilindri al cui interno i pistoni, solidali ad un asta, la spingono longitudinalmente facendo da fermo ai pistoni dell'attuatore impedendo così la completa rotazione del meccanismo ed incidendo sulla portata totale della valvola. Il dispositivo funziona tramite le due elettrovalvole E1 = 5/2; E2 = 3/2. Dove E1 comanda l'attuatore mentre E2 i due cilindri esterni. Con riferimento alle elettrovalvole nel disegno vediamo alcuni esempi:

-con VALVOLA TUTTA CHIUSA (0°) avremo:

E1: A in pressione e B allo scarico; E2: B1 allo scarico.

-Con VALVOLA TUTTA APERTA (90°) regolazione grossolana avremo:

E1: A allo scarico e B in pressione; E2: B1 allo scarico.

Al raggiungimento del valore previsto es. 90% del riempimento totale del contenitore, il segnale di grossolano (valvola tutta aperta) viene escluso e l'aria, passando per E2 e successivamente cambiando la posizione di E1, raggiunge i pistoni esterni i quali, muovendosi, eseguono l'angolo di chiusura desiderato, es. 30° (regolazione fine), provocando così la riduzione voluta della portata.

Con VALVOLA APERTA es. 30° regolazione fine avremo:

E1: A in pressione e B allo scarico; E2: B1 in pressione.

Questa posizione intermedia e la relativa portata della valvola verrà riprodotta con assoluta fedeltà e precisione ad ogni ripetizione del procedimento.

N.B. la regolazione voluta può variare da 0° a 45° tramite il controdado D.

Quando il valore teorico combaccerà con quello effettivo, verrà escluso il segnale di regolazione fine che si trova su E2 (B1 allo scarico); l'attuatore comincerà a muoversi ottenendo così la chiusura totale della valvola. Con ciò è da ritenersi concluso il procedimento di Riempitura-Dosaggio.

IN CONCLUSIONE: Il dispositivo OMAL può essere installato ovunque sia richiesto di fornire esattamente le stesse quantità per lunghi cicli di lavoro.

General use and working condition

USE: Filling and metering of fluids or solids-mix materials by means of a special metering device.

Double acting actuator for fine or rough metering.

EXECUTION: According to EN ISO 5211, in compliance with EN 15714-3.

WORKING SYSTEM: The basic model consists of an OMAL double acting actuator, equipped with two additional cylinders whose inner-pistons, by means of a stroke adjustment device, stop the rotating angle of the actuator to a pre-set position, preventing it from a complete rotation and influencing the total valve flow pressure.

This device is driven by two solenoid valves.

E1 = 5/2; E2 = 3/2. E1 drives the actuator, while E2 drives the two external cylinders.

Some examples referring to the valves in the drawing above:

-with a completely CLOSED VALVE (0°) You will have:

E1: air supply in A, exhausts in B

E2: exhausts in B1.

-with a completely OPEN VALVE (90°) rough metering You will have:

E1: exhausts in A, air supply in B

E2: exhausts in B1.

When You reach the desired level, e.g. 90% of the total filling, the rough signal (completely open valve) will turn off and the air, flowing through E2 and then changing the position of E1, will get to the external pistons which will move to the desired rotating angle, e.g. 30° (fine metering), consequently reducing the total valve flow.

With an OPEN VALVE, e.g. 30° fine metering, You will have:

E1: air supply in A, exhaust in B;

E2: air supply in B1

This intermediate position and the corresponding valve flow pressure will be reproduced, whenever you repeat the process.

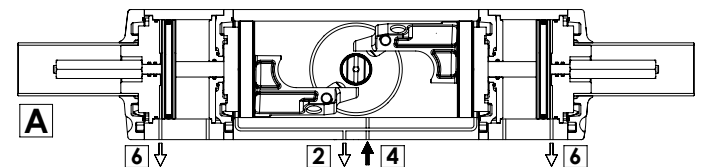
NOTE: Thanks to control "D", the desired metering can range from 0° to 45°. When the desired level is the same as the actual one, the fine-metering signal on E2 (exhaust in B1) will turn off; the actuator will start moving and make the valve close, completely. Now the filling and metering process is over.

CONCLUSION: "OMAL" device can be assembled wherever you need to furnish exactly the same quantities in long working cycles.

A. POSIZIONE TOTALMENTE CHIUSO FULLY CLOSED POSITION

In questa posizione l'attuatore è alimentato nella porta 4, con le porte 2 e 6 in scarico.

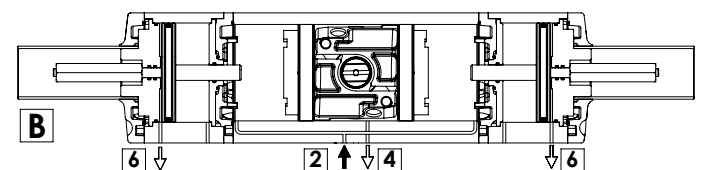
In this position the air is supplied to port 4 with exhaust air at port 2 and 6.



B. POSIZIONE TOTALMENTE APERTO (approssimativamente 90°) FULLY OPEN POSITION (90° rough metering)

In questa posizione l'attuatore è alimentato nella porta 2, con le porte 4 e 6 in scarico.

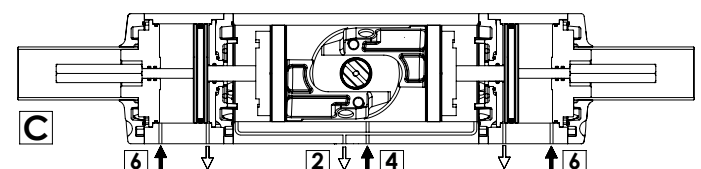
In this position the air is supplied to port 2 with exhaust air at port 4 and 6.



C. POSIZIONE INTERMEDIA (misura precisa) INTERMEDIATE POSITION (fine metering)

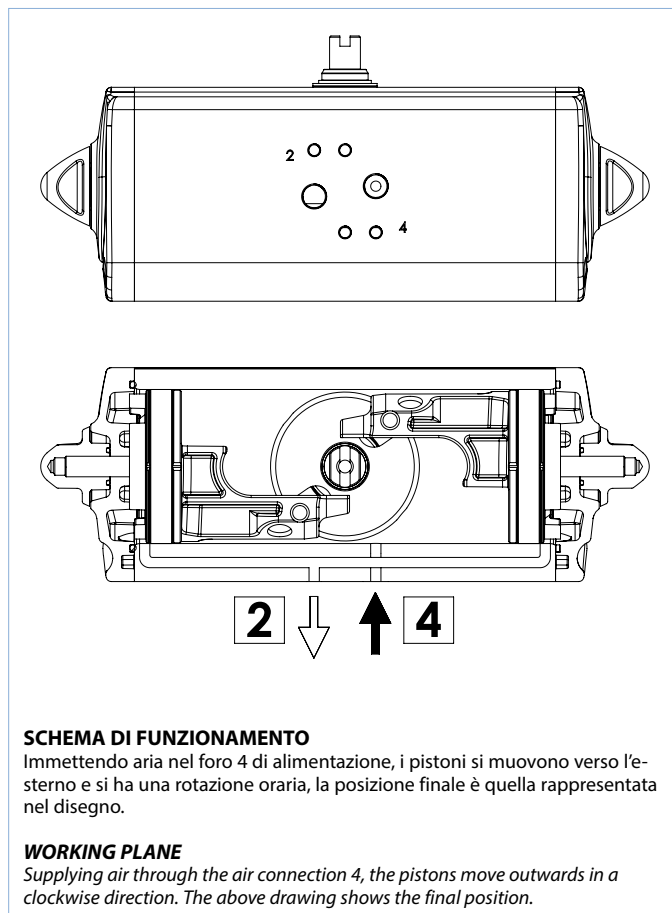
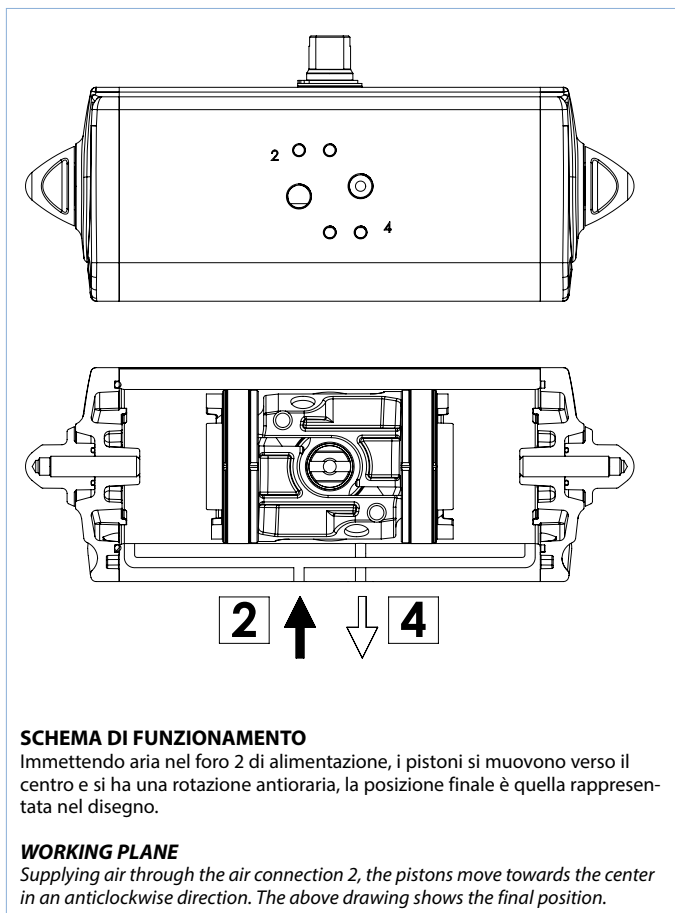
In questa posizione l'attuatore è alimentato simultaneamente nella porta 6 e 4, con la porta 2 in scarico. In questo caso i pistoni esterni si muoveranno raggiungendo l'angolo desiderato; di conseguenza verrà ridotto il flusso totale della valvola.

In this position the external pistons will move to the desired rotating angle, consequently reducing the total valve flow.

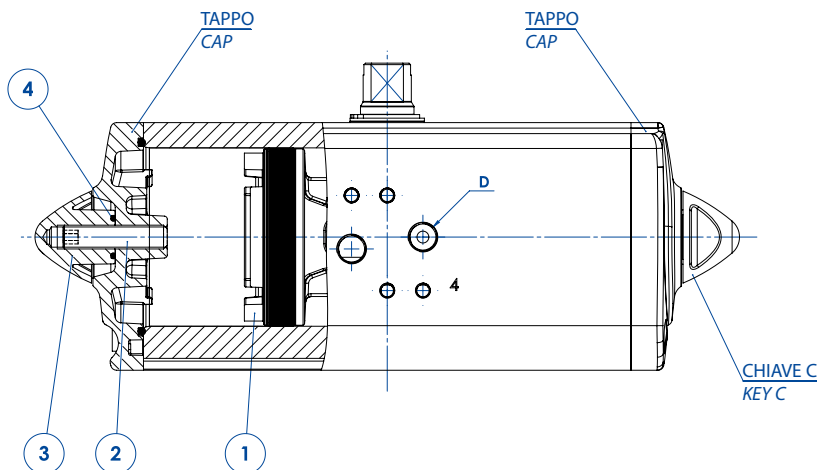




SCHEMA FUNZIONAMENTO ATTUATORE PNEUMATICO AGO "DA" WORKING PLANE PNEUMATIC ACTUATOR AGO "DA" TYPE



ATTUATORE REGOLABILE-ISTRUZIONI PER L' UTILIZZO ACTUATOR WITH STROKE ADJUSTMENT-INSTRUCTIONS



- A)** Immettere aria nel foro "D" in modo che i pistoni (part. n°1) si vengano a trovare in posizione di finecorsa verso i tappi.
B) Togliere il controdado (part. n°3) agendo sulla chiave C.
C) Togliere l'aria di alimentazione.
D) Con una chiave a brugola agire sulle viti (part. n°2) ed effettuare la limitazione di corsa desiderata.
N.B. La corsa può essere limitata per un massimo di 10° da 80° a 90°. Altre regolazioni disponibili a richiesta.
E) Mettere aria nel foro "D", verificare che entrambe le viti (part. n°2) siano a battuta contro i pistoni.
F) Mettere il controdado (part. n°3) munito di O-ring (part. n°4) per la tenuta tra dado e tappo.

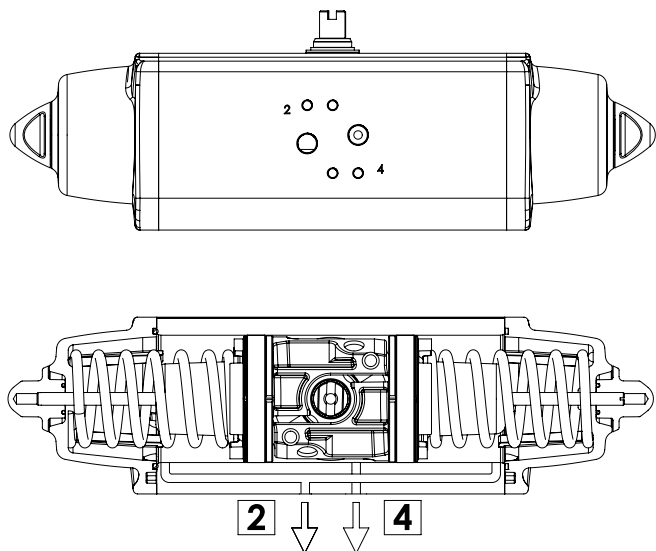
N.B. queste spiegazioni sono indicative, per le istruzioni operative, vedere il manuale.

- A)** Supply air through the air connection D so that the pistons (Part. 1) move to the end-stroke position, towards the caps.
B) Remove the counter nut (part. 3) acting on the C key.
C) Shut off the air supply.
D) Adjust the end stroke as desired, acting on the screws (part 2) with an hexagonal key.
Note: maximum adjusting stroke 10°, ranging from 80° to 90°. Other regulations on request.
E) Supply air through the air connection D and check that both screws stop the pistons.
F) Screw the counter-nut (part 3) and its o-ring (part 4) to keep nut and cap tight.

N.B. these explanations are indicative, for operating instructions, see the manual.



SCHEMA FUNZIONAMENTO ATTUATORE PNEUMATICO AGO "SR" WORKING PLANE PNEUMATIC ACTUATOR AGO "SR" TYPE

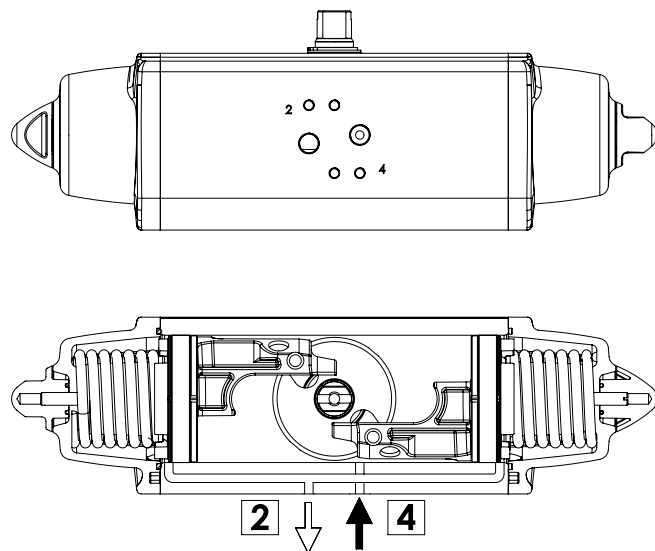


SCHEMA DI FUNZIONAMENTO

Senza pressione di alimentazione, nella versione semplice effetto, l'attuatore torna automaticamente in posizione di riposo compiendo una rotazione oraria e la posizione finale è quella rappresentata nel disegno. Sul foro 2 è consigliato montare un filtrino onde evitare che polvere o particelle solide possano entrare nella camera del cilindro senza tuttavia impedire il passaggio dell'aria.

WORKING PLANE

Without air supply, the spring return actuator returns to its resting position, rotating in a clockwise direction. The drawing shows its final position. We assembling a small filter on the air connection 2 to prevent dust and particles into the cylinder chamber without, however, preventing the passage of air.



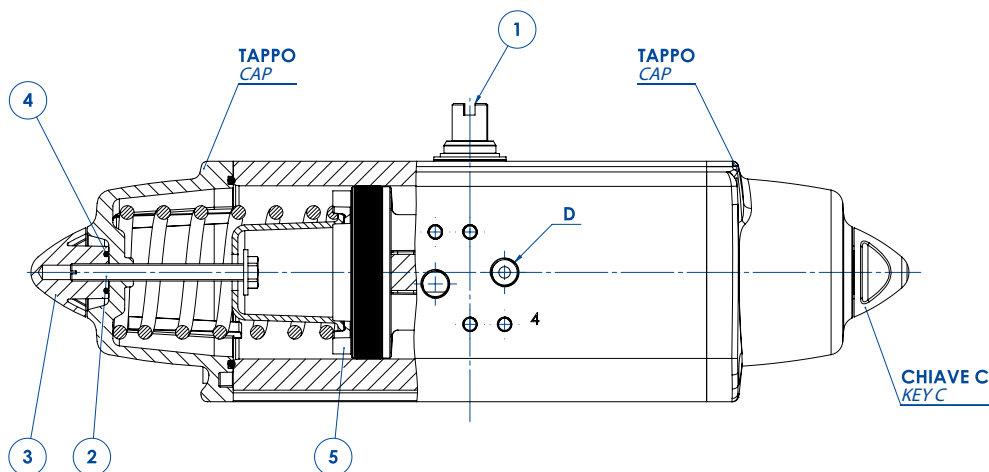
SCHEMA DI FUNZIONAMENTO

Immettendo aria nel foro 4 di alimentazione, i pistoni si muovono verso l'esterno comprimendo le molle, si ha una rotazione antioraria e la posizione finale è quella rappresentata nel disegno.

WORKING PLANE

Supplying air through the air connection 4, the pistons move outwards pressing the spring. An anticlockwise rotation takes place and the final position is shown above.

ATTUATORE REGOLABILE-ISTRUZIONI PER L' UTILIZZO ACTUATOR WITH STROKE ADJUSTMENT-INSTRUCTIONS



- A)** Verificare che le molle siano in posizione di riposo osservando la chiave dell'albero (part. n°1) come da disegno e controllando che nel foro "D" non ci sia pressione.
B) Togliere i controdadi (part. n°3) agendo sulla chiave C.
C) Con un cacciavite avvitare le viti (part. n°2) in senso orario ed effettuare la limitazione di corsa desiderata.
N.B. La corsa può essere limitata per un massimo di 10° da 80° a 90°
D) Immettere aria nel foro "D" e verificare che entrambe le viti (part. n°2) siano a battuta contro i pistoni (part. n°5).
E) Bloccare i controdadi (part. n°3) muniti di O-ring (part. n°4) per la tenuta tra controdado, tappo e vite.

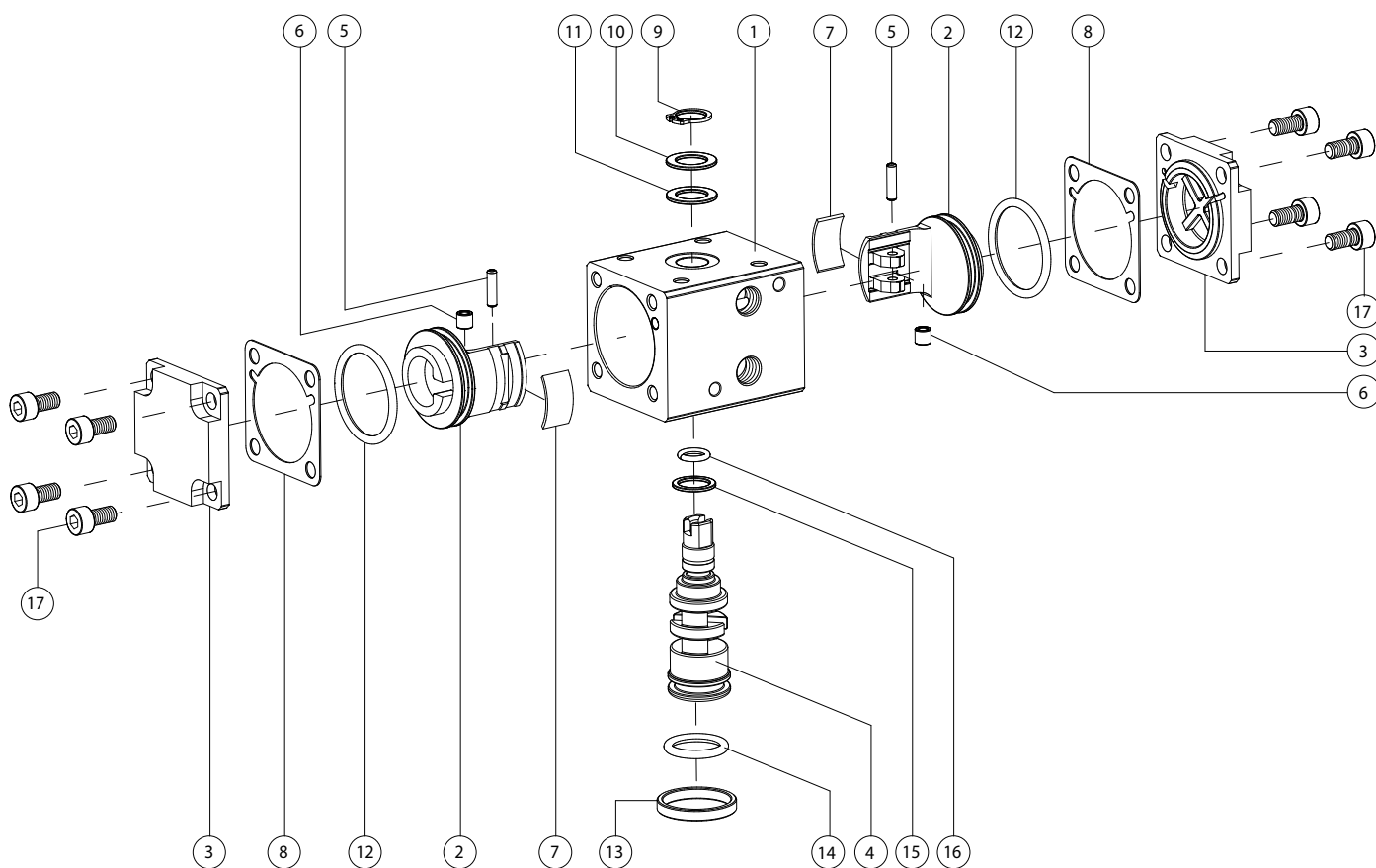
N.B. queste spiegazioni sono indicative, per le istruzioni operative, vedere il manuale.

- A)** The springs must be at rest position, the shaft (part. 1) must be as shown in the drawing. Air connection D must not be supplied with air.
B) Remove the counter-nuts (part. 3), acting on C key.
C) By means of a screwdriver turn screws (part. 2) in a clockwise direction until you obtain the requested end-stroke regulation.
Note: maximum adjusting stroke 10°, ranging from 80° to 90°.
D) Supply connection D with air pressure and check that both adjusting screws (part. 2) stop the pistons (part. 5).
E) Screw the counter-nuts (part. 3) and their O-ring (part. 4) to keep nut and cap tight.

N.B. these explanations are indicative, for operating instructions, see the manual.



COMPONENTI "AGO" DOPPIO EFFETTO: DA 08 "AGO" DOUBLE ACTING COMPONENTS: DA 08



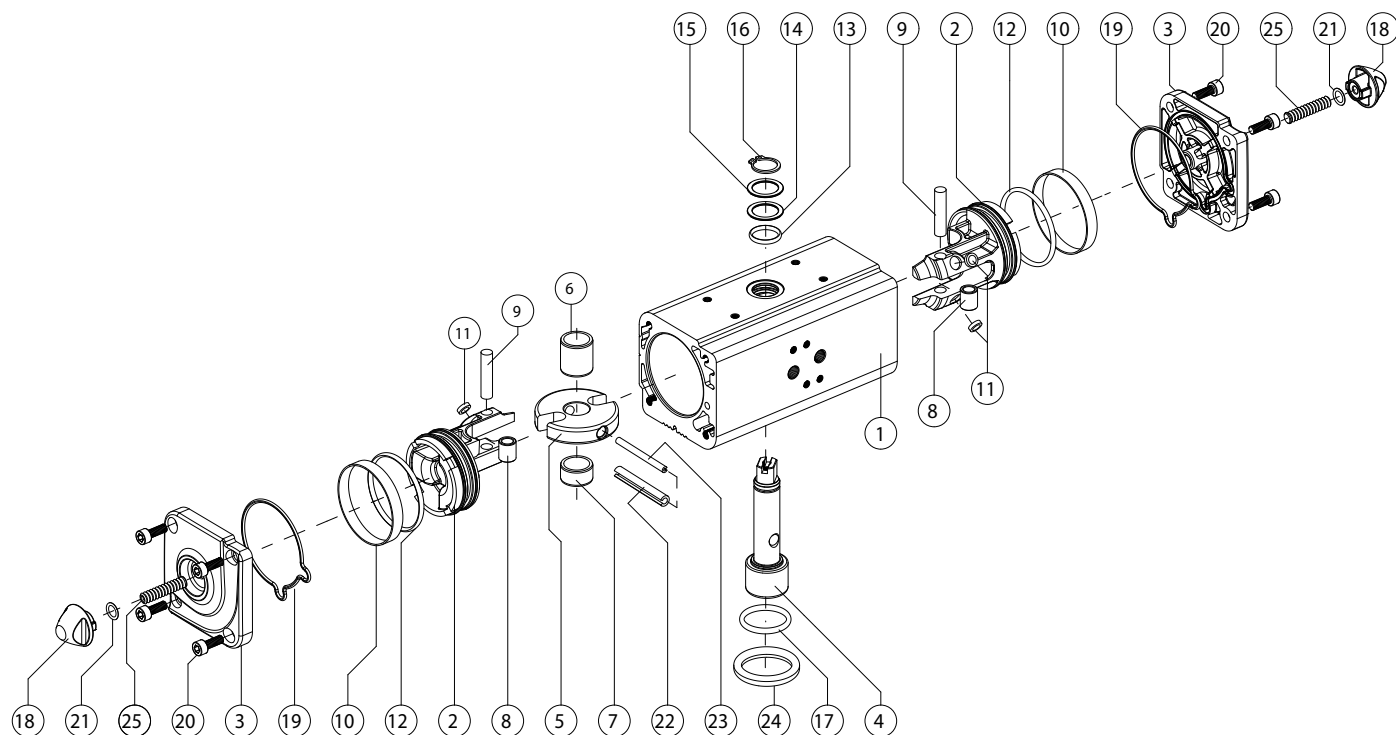
MATERIALI		MATERIALS	
Pos	Denominazione Denomination	Q.ty	Materiale Material
1	Cilindro Cylinder	1	Lega di alluminio Aluminium alloy
2	Pistone Piston	2	Lega di alluminio Aluminium alloy
3	Tappo DA Cap DA	2	Lega di alluminio Aluminium alloy
4	Albero Shaft	1	Lega di acciaio Steel alloy
5	Perno Sleeve	2	Lega di acciaio Steel alloy
6	Bussola acciaio Steel Bush	2	Lega di acciaio Steel alloy
7*	Fascia di supporto Support band	2	Resina acetica Acetalic resins
8*	Guarnizione di tenuta O-ring	2	Gomma Nitrilica Nitrilic rubber
9	Seeger	1	Acciaio Inox Stainless steel
10	Rondella di spessoramento Washer	1	Acciaio Inox Stainless steel
11*	Anello supporto est. Ext. support ring	1	Resina acetica Acetalic resins
12*	O-ring pistone O-ring	2	Gomma nitrilica Nitrilic rubber
13	Anello centraggio Center ring (OPTIONAL)	1	Lega di alluminio Aluminium alloy
14*	O-ring albero inferiore O-ring	1	FKM
15*	Anello supporto int. Int. support ring	1	Resina acetica Acetalic resins
16*	Oring Albero superiore O-ring	1	FKM
17	Viti Screw	8	Acciaio Inox Stainless steel

* Particolari del kit di ricambio Components of spare part kit



COMPONENTI "AGO" DOPPIO EFFETTO: DAN 15 ÷ DAN 1920

"AGO" DOUBLE ACTING COMPONENTS: DAN 15 ÷ DAN 1920

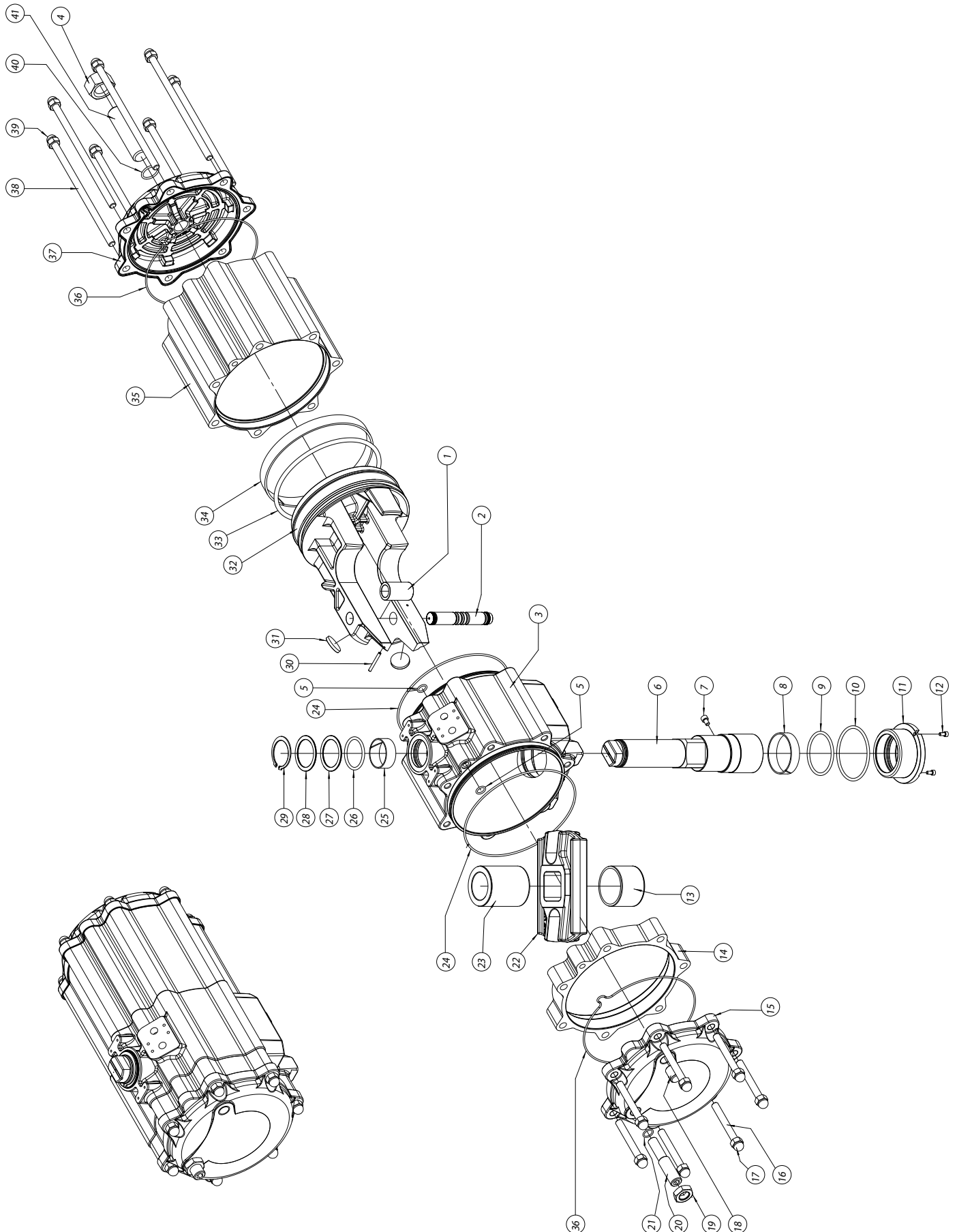


MATERIALI		MATERIALS	
Pos	Denominazione Denomination	Q.ty	Materiale Material
1	Cilindro Cylinder	1	Lega di alluminio Aluminium alloy
2	Pistone Piston	2	Lega di alluminio Aluminium alloy
3	Tappo Cap	2	Lega di alluminio Aluminium alloy
4	Albero Shaft	1	Acciaio inox Stainless steel
5	Forcella Scotch yoke	1	Lega di acciaio Steel alloy
6	Bussola di scorrimento Support bush	1	Resina acetica Acetalic resin
7	Supporto albero Shaft support	1	Resina acetica Acetalic resin
8	Bussola Bush	2	Lega di acciaio Steel alloy
9	Perno Rotative sleeve	2	Lega di acciaio Steel alloy
10*	Anello di tenuta Dynamic seal	2	Poliuretano Polyurethan
11*	Dischetto di supporto Piston's suport	4	P.T.F.E. carbo-graphite filled
12*	O-ring pistone O-ring	2	Gomma nitrilica Nitrilic rubber
13	O-ring albero superiore O-ring (upper sealing shaft)	1	FKM
14	Anello di supporto esterno External support ring	1	Resina acetica Acetalic resins
15	Rondella di spessoramento Washer	1	Acciaio inox Stainless steel
16	Seeger	1	Acciaio inox Stainless steel
17	O-ring albero inferiore O-ring (lower sealing shaft)	1	FKM
18	Dado Nut	2	Lega di alluminio Aluminium alloy
19*	O-ring del tappo End-cap O-ring	2	Gomma nitrilica Nitrilic rubber
20	Viti Screws	8	Acciaio inox Stainless steel
21*	O-ring	2	Gomma nitrilica Nitrilic rubber
22	Spina elastica esterna External elastic pin of the yoke	1	Lega di acciaio Steel alloy
23	Spina elastica interna Internal elastic pin of the yoke	1	Lega di acciaio Steel alloy
24	Anello di centraggio Centering ring (OPTIONAL)	1	Lega di alluminio Aluminium alloy
25	Vite di regolazione corsa Stroke adjustment screw	2	Acciaio inox Stainless steel

* Particolari del kit di ricambio Components of spare part kit



COMPONENTI "AGO" DOPPIO EFFETTO: DA 2880 "AGO" DOUBLE ACTING COMPONENTS: DA 2880





MATERIALI MATERIALS			
Pos	Denominazione Denomination	Q.ty	Materiale Material
22	Forcella Scotch yoke	1	Acciaio Steel alloy
23	Bussola di scorr/supp Bearing shaft	1	Resina acetaltica Acetalic resin
24*	O-ring	2	Gomma nitrilica Nitrilic rubber
25*	Supporto superiore Bearing (shaft top)	1	P.T.F.E. carbo-graphite filled
26*	O-ring	1	FKM
27*	Anello di supporto esterno Thrust bearing	1	Resina acetaltica Acetalic resin
28	Rondella di spessoramento Washer	1	Acciaio Steel alloy
29	Seeger	1	Acciaio Steel alloy
30	Spina antiespulsione Spring pin	1	Acciaio Steel alloy
31*	Dischetti Bearing (piston back)	2	Resina acetaltica Acetalic resin
32	Pistone Piston	1	Alluminio Aluminium
33*	O-ring	1	Gomma nitrilica Nitrilic rubber
34*	Anello di guida Bearing (piston head)	1	P.T.F.E. Carbo-Graphite filled
35	Cilindro laterale Lateral cylinder	1	Alluminio Aluminium
36*	O-ring	2	Gomma nitrilica Nitrilic rubber
37	Tappo Cap	1	Alluminio Aluminium
38	Vite di assemblaggio Cap screw	7	Acciaio Steel alloy
39	Dado a calotta Cap nut	7	Acciaio Steel alloy
40*	O-ring	1	Gomma nitrilica Nitrilic rubber
41	Grano di regolazione Grub screw	1	Acciaio Steel alloy

* Particolari del kit di ricambio Components of spare part kit

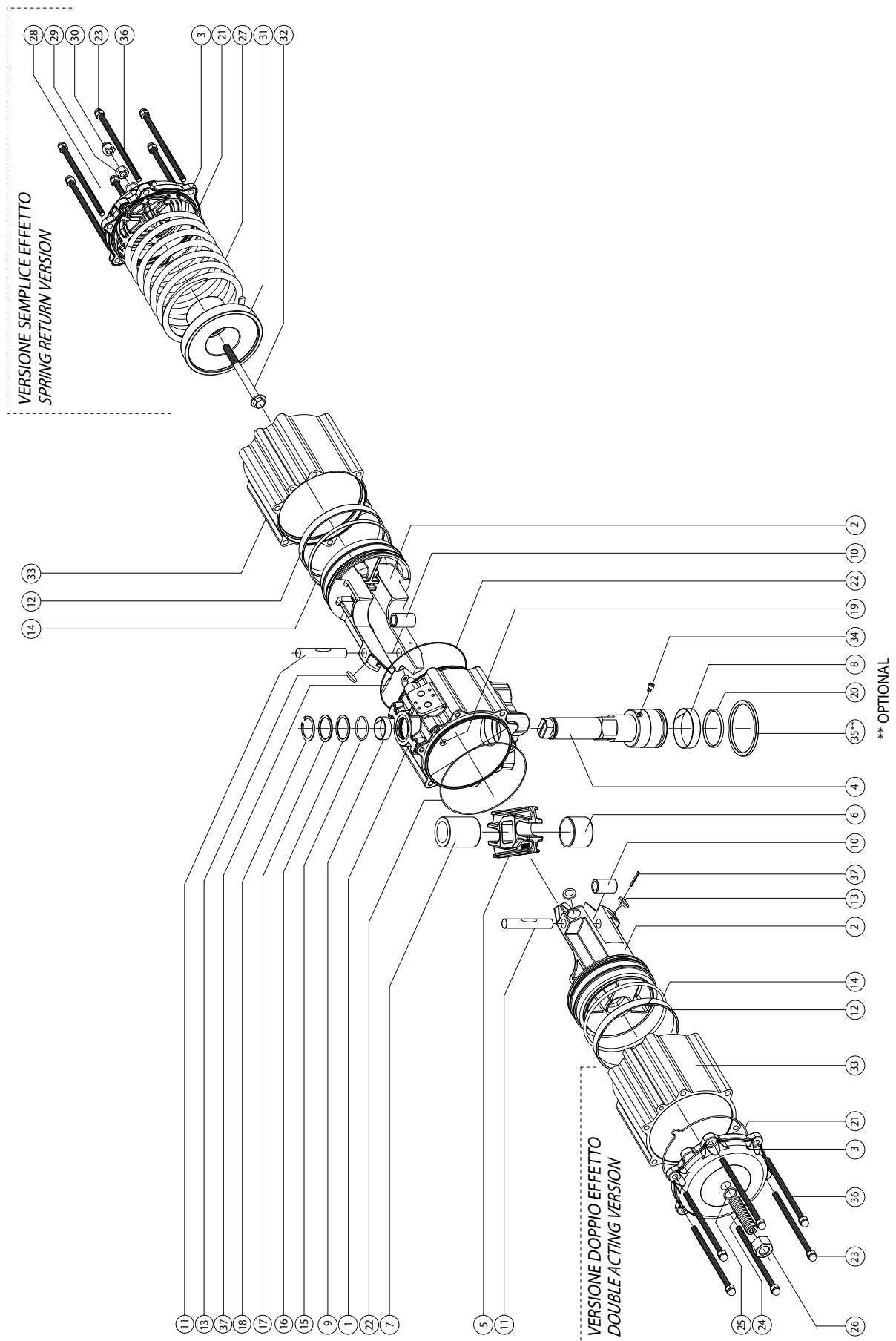
MATERIALI MATERIALS			
Pos	Denominazione Denomination	Q.ty	Materiale Material
1	Bussola acciaio Steel bush	1	Acciaio Steel alloy
2	Spina acciaio Steel pin	1	Acciaio Steel alloy
3	Corpo Body	1	Alluminio Aluminium
4	Dado Nut	1	Acciaio Steel alloy
5*	O-ring	2	Gomma nitrilica Nitrilic rubber
6	Albero Shaft	1	Acciaio Steel alloy
7	Vite antiespulsione Screw	1	Acciaio Steel alloy
8*	Supporto inferiore Bearing (shaft bottom)	1	P.T.F.E. carbo-graphite filled
9*	O-ring	1	FKM
10*	O-ring	1	FKM
11	Bussola di supporto inferiore Low bearing bush	1	Alluminio Aluminium
12	Vite per bussola Screw	2	Acciaio Steel alloy
13	Bussola di scorrimento Bearing shaft	1	Resina acetaltica Acetalic resin
14	Distanziale Spacer	1	Alluminio Aluminium
15	Tappo Cap	1	Alluminio Aluminium
16	Vite di assemblaggio Cap screw	7	Acciaio Steel alloy
17	Dado a calotta Cap nut	7	Acciaio Steel alloy
18	Grano (Tappo) Grub screw	1	Acciaio Steel alloy
19	Dado Nut	1	Acciaio Steel alloy
20	Grano di regolazione Grub screw	1	Acciaio Steel alloy
21*	O-ring	1	Gomma nitrilica Nitrilic rubber

* Particolari del kit di ricambio Components of spare part kit



COMPONENTI "AGO" DOPPIO EFFETTO: DA 3840

"AGO" DOUBLE ACTING COMPONENTS: DA 3840





MATERIALI MATERIALS			
Pos	Denominazione Denomination	Q.ty	Materiale Material
20*	O-ring albero inferiore O-ring	1	FKM
21*	O-ring tappo O-ring	2	Gomma nitrilica Nitrilic rubber
22*	O-ring corpo-cilindro O-ring	2	Gomma nitrilica Nitrilic rubber
23	Dado a calotta Cap nut	12	Acciaio inox Stainless steel
24	Grano di regolaz. Grub screws	2	Acciaio inox Stainless steel
25*	O-ring grano O-ring	2	Gomma nitrilica Nitrilic rubber
26	Dado Nut	2	Acciaio inox Stainless steel
27	Molla Spring	4	Leghe di acciaio Steel alloy
28*	O-ring regolazione O-ring	2	Gomma nitrilica Nitrilic rubber
29	Dado Nut	2	Acciaio inox Stainless steel
30	Dado a calotta Cap nut	2	Acciaio inox Stainless steel
31	Contentitore a molla Spring cap	2	Leghe di alluminio Aluminium alloy
32	Vite di prec.molla Screw	2	Acciaio inox Stainless steel
33	Cilindro laterale Cylinder	2	Leghe di alluminio Aluminium alloy
34	Vite antiespulsione Screw	1	Acciaio inox Stainless steel
35**	Anello di centraggio Center ring (OPTIONAL)	1	Leghe di alluminio Aluminium alloy
36	Vite di assemblaggio Cap screw	12	Acciaio Steel alloy
37	Spina antiespulsione Spring pin	2	Leghe di acciaio Steel alloy

* Particolari del kit di ricambio Components of spare part kit

** Optional

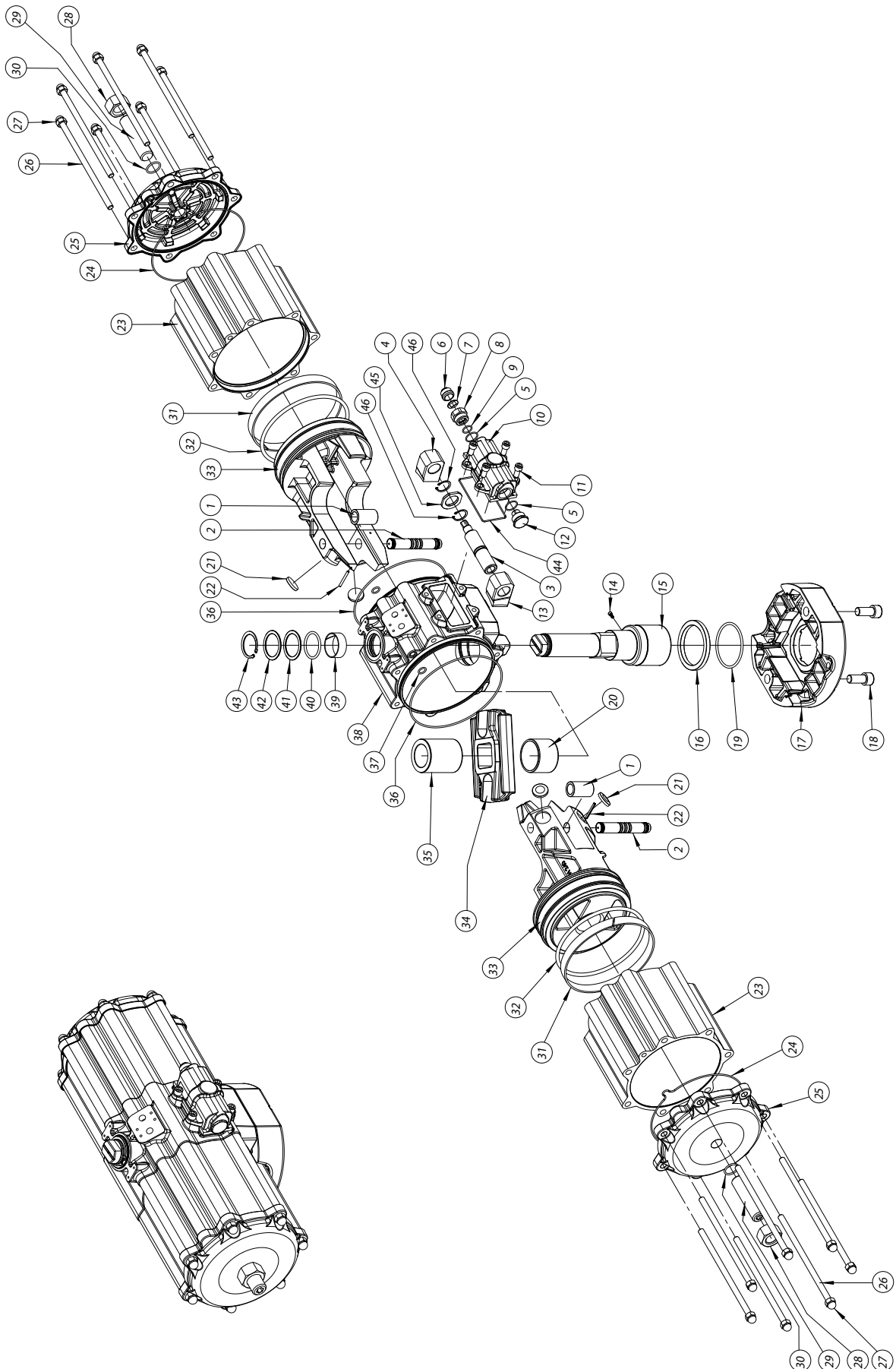
MATERIALI MATERIALS			
Pos	Denominazione Denomination	Q.ty	Materiale Material
1	Cilindro Cylinder	1	Leghe di alluminio Aluminium alloy
2	Pistone Piston	2	Leghe di alluminio Aluminium alloy
3	Tappo Cap	2	Leghe di alluminio Aluminium alloy
4	Albero Shaft	1	Acciaio inox Stainless steel
5	Forcella Scotch yoke	1	Leghe di acciaio Steel alloy
6	Bussola di scorrimento Bearing shaft	1	Resina acetica Acetalic resins
7	Bussola scorrim/supporto Bearing shaft	1	Resina acetica Acetalic resins
8*	Fascetta supp.infer. Bearing (shaft bottom)	1	P.T.F.E. carbo-graphite filled
9*	Fascetta supp.super. Bearing (shaft top)	1	P.T.F.E. carbo-graphite filled
10	Bussola acciaio Steel bush	2	Leghe di acciaio Steel alloy
11	Spina acciaio Steel pin	2	Leghe di acciaio Steel alloy
12*	Anello di guida Bearing (piston head)	2	P.T.F.E. Carbo-Graphite filled
13*	Dischetto supporto Bearing (piston back)	4	Resina acetica Acetalic resins
14*	O-ring del pistone O-ring	2	Gomma nitrilica Nitrilic rubber
15*	O-ring albero sup. O-ring	1	FKM
16*	Anello supporto est. Thrust bearing	1	Resina acetica Acetalic resins
17	Rondella spessoramento Washer	1	Acciaio inox Stainless steel
18	Seeger	1	Acciaio inox Stainless steel
19*	O-ring cond.aria O-ring	2	Gomma nitrilica Nitrilic rubber

* Particolari del kit di ricambio Components of spare part kit



COMPONENTI "AGO" DOPPIO EFFETTO: DA 5760

"AGO" DOUBLE ACTING COMPONENTS: DA 5760





MATERIALI MATERIALS			
Pos	Denominazione Denomination	Q.ty	Materiale Material
24*	O-ring tappo O-ring	2	Gomma nitrilica Nitrilic rubber
25	Tappo Cap	2	Alluminio Aluminium
26	Vite di assemblaggio Cap screws	14	Acciaio Steel alloy
27	Dado a calotta Cap nut	14	Acciaio Steel alloy
28	Dado Nut	2	Acciaio Steel alloy
29	Grano di regolazione Grub screws	2	Acciaio Steel alloy
30*	O-ring	2	Gomma nitrilica Nitrilic rubber
31*	Anello di guida Bearing (piston head)	2	P.T.F.E. Carbo-Graphite filled
32*	O-ring pistone O-ring	2	Gomma nitrilica Nitrilic rubber
33	Pistone Piston	2	Alluminio Aluminium
34	Forcella Scotch yoke	1	Acciaio Steel alloy
35	Bussola di scorr./supp Bearing shaft	1	Resina acetica Acetalic resin
36*	O-ring	2	Gomma nitrilica Nitrilic rubber
37*	O-ring	2	Gomma nitrilica Nitrilic rubber
38	Corpo Body	1	Alluminio Aluminium
39*	Supporto superiore Bearing (shaft top)	1	P.T.F.E. carbo-graphite filled
40*	O-ring	1	FKM
41*	Anello di supp. esterno Thrust bearing	1	Resina acetica Acetalic resin
42	Rondella di spessoram. Washer	1	Acciaio Steel alloy
43	Seeger	1	Acciaio Steel alloy
44*	Guarnizione carter Gasket	1	Gomma nitrilica Nitrilic rubber
45	Rondella di supporto Washer	1	Acciaio Steel alloy
46	Seeger	2	Acciaio Steel alloy

* Particolari del kit di ricambio Components of spare part kit

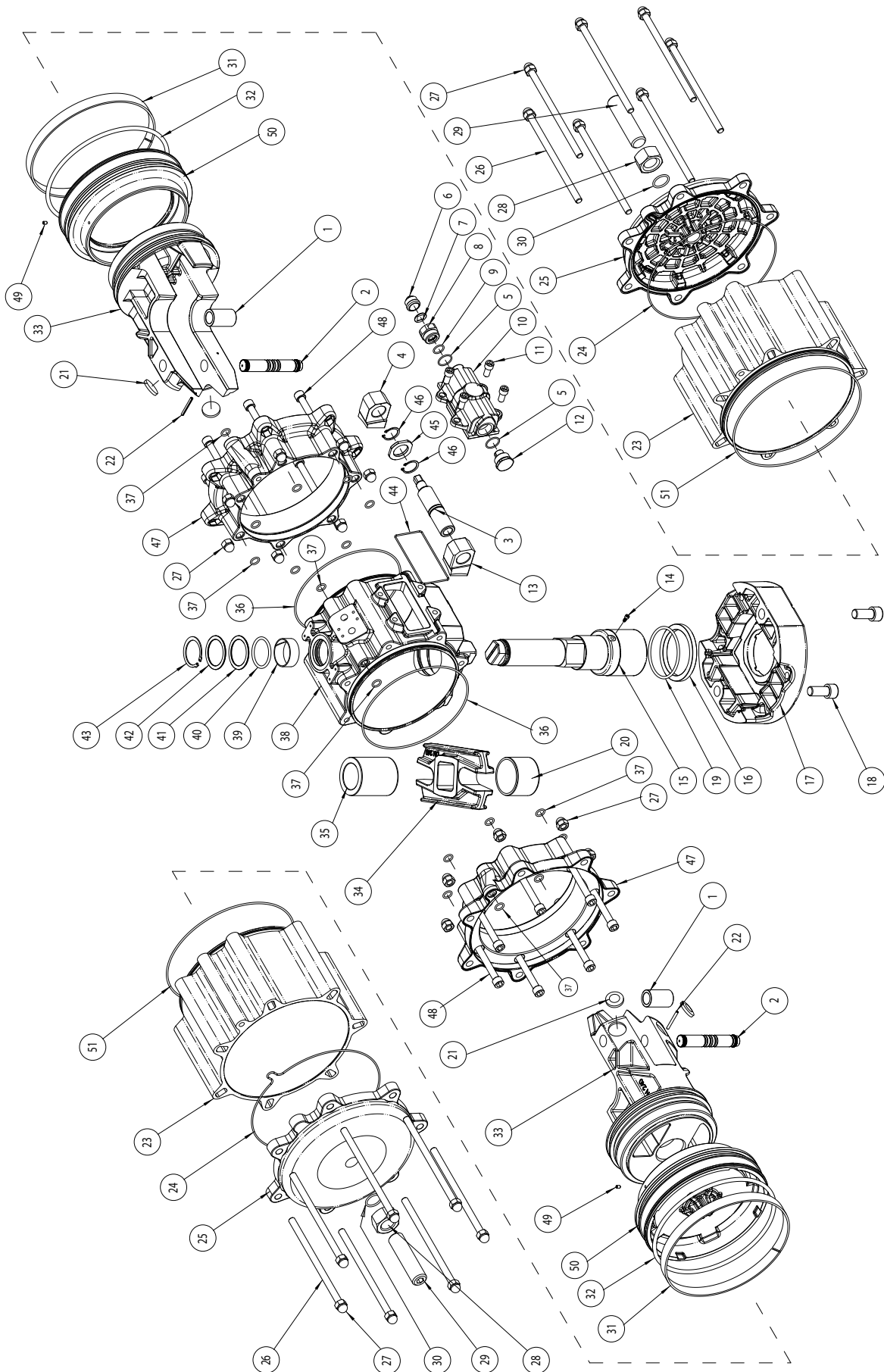
MATERIALI MATERIALS			
Pos	Denominazione Denomination	Q.ty	Materiale Material
1	Bussola acciaio Steel bush	2	Acciaio Steel alloy
2	Spina acciaio Steel pin	2	Acciaio Steel alloy
3	Vite di regolazione Regulation screw	1	Acciaio Steel alloy
4	Fermo sinistro Left stop	1	Acciaio Steel alloy
5*	O-ring	2	Gomma nitrilica Nitrilic rubber
6	Tappo di protezione Protection cap	1	Alluminio Aluminium
7	Rondella antirrotazione Antirotation washer	1	Acciaio Steel alloy
8	Ghiera passante Metal ring	1	Acciaio inox Stainless steel
9*	O-ring	1	Gomma nitrilica Nitrilic rubber
10	Carter di regolaz. Carter	1	Alluminio Aluminium
11	Vite per carter. Screw	4	Acciaio Steel alloy
12	Ghiera cieca Metal ring	1	Acciaio inox Stainless steel
13	Fermo destro Right stop	1	Acciaio Steel alloy
14	Vite antiespulsione Screw	1	Acciaio Steel alloy
15	Albero Shaft	1	Acciaio Steel alloy
16	Supporto inferiore Bearing (shaft bottom)	1	P.T.F.E. carbo-graphite filled
17	Interfaccia F25 Interface F25	1	Alluminio Aluminium
18	Vite per interfaccia Screw	2	Acciaio Steel alloy
19*	O-ring	1	FKM
20	Bussola di scorrimento Bearing shaft	1	Resina acetica Acetalic resins
21*	Dischetti Bearing (piston back)	4	Resina acetica Acetalic resins
22	Spina antiespulsione Spring pin	2	Acciaio Steel alloy
23	Cilindro laterale Lateral cylinder	2	Alluminio Aluminium

* Particolari del kit di ricambio Components of spare part kit



COMPONENTI "AGO" DOPPIO EFFETTO: DA 8000

"AGO" DOUBLE ACTING COMPONENTS: DA 8000





MATERIALI MATERIALS			
Pos	Denominazione Denomination	Q.ty	Materiale Material
27	Dado a calotta Cap nut	28	Acciaio Steel alloy
28	Dado Nut	2	Acciaio Steel alloy
29	Grano di regolazione Grub screws	2	Acciaio Steel alloy
30*	O-ring	2	Gomma nitrilica Nitrilic rubber
31*	Anello di guida Bearing (piston head)	2	P.T.F.E. Carbo-Graphite filled
32*	O-ring pistone O-ring	2	Gomma nitrilica Nitrilic rubber
33	Pistone Piston	2	Alluminio Aluminium
34	Forcella Scotch yoke	1	Acciaio Steel alloy
35	Bussola di scorr./supp Bearing shaft	1	Resina acetica Acetalic resins
36*	O-ring	2	Gomma nitrilica Nitrilic rubber
37*	O-ring	18	Gomma nitrilica Nitrilic rubber
38	Corpo Body	1	Alluminio Aluminium
39*	Supporto superiore Bearing (shaft top)	1	P.T.F.E. carbo-graphite filled
40*	O-ring	1	FKM
41*	Anello di supp.esterno Thrust bearing	1	Resina acetica Acetalic resins
42	Rondella di spessore Washer	1	Acciaio Steel alloy
43	Seeger	1	Acciaio Steel alloy
44*	Guarnizione carter Gasket	1	Gomma nitrilica Nitrilic rubber
45	Rondella supporto Washer	1	Acciaio Steel alloy
46	Seeger	2	Acciaio Steel alloy
47	Flangia rid.cilindro Flange	2	Alluminio Aluminium
48	Viti flangia Screws	14	Acciaio Steel alloy
49	Grano Grub screw	2	Acciaio Steel alloy
50	Flangia rid.pistone Flange	2	Alluminio Aluminium
51*	O-ring	2	Gomma nitrilica Nitrilic rubber

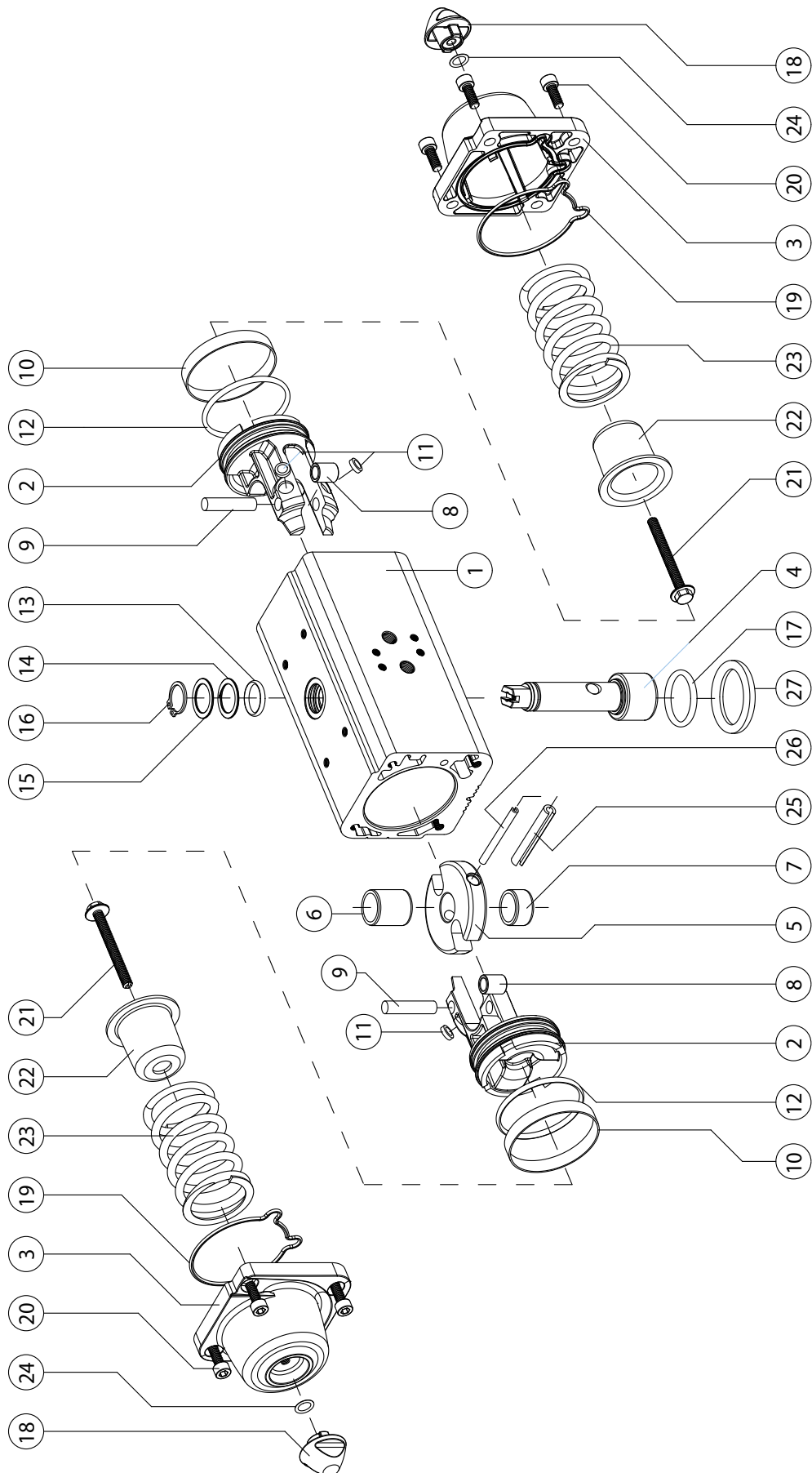
* Particolari del kit di ricambio Components of spare part kit

MATERIALI MATERIALS			
Pos	Denominazione Denomination	Q.ty	Materiale Material
1	Bussola acciaio Steel bush	2	Acciaio Steel alloy
2	Spina acciaio Steel pin	2	Acciaio Steel alloy
3	Vite di regolazione Regulation screw	1	Acciaio Steel alloy
4	Fermo sinistro Left stop	1	Acciaio Steel alloy
5*	O-ring	2	Gomma nitrilica Nitrilic rubber
6	Tappo di protezione Protection cap	1	Alluminio Aluminium
7	Rondella antirotazione Antirotation washer	1	Acciaio Steel alloy
8	Ghiera passante Metal ring	1	Acciaio inox Stainless steel
9*	O-ring	1	Gomma nitrilica Nitrilic rubber
10	Carter di regolaz. Carter	1	Alluminio Aluminium
11	Vite per carter Screw	4	Acciaio Steel alloy
12	Ghiera cieca Metal ring	1	Acciaio inox Stainless steel
13	Fermo destro Right stop	1	Acciaio Steel alloy
14	Vite antiespulsione Screw	1	Acciaio Steel alloy
15	Albero Shaft	1	Acciaio Steel alloy
16	Supporto inferiore Bearing (shaft bottom)	1	P.T.F.E. carbo-graphite filled
17	Interfaccia F25 Interface F25	1	Alluminio Aluminium
18	Vite per interfaccia Screw	2	Acciaio Steel alloy
19*	O-ring	1	FKM
20	Bussola di scorrimento Bearing shaft	1	Resina acetica Acetalic resins
21*	Dischetti Bearing (piston back)	4	Resina acetica Acetalic resins
22	Spina antiespulsione Spring pin	2	Acciaio Steel alloy
23	Cilindro laterale Lateral cylinder	2	Alluminio Aluminium
24*	O-ring tappo O-ring	2	Gomma nitrilica Nitrilic rubber
25	Tappo Cap	2	Alluminio Aluminium
26	Vite di assemblaggio Cap screws	14	Acciaio Steel alloy

* Particolari del kit di ricambio Components of spare part kit



COMPONENTI "AGO" SEMPLICE EFFETTO: SRN 15 ÷ SRN 960
"AGO" SPRING RETURN COMPONENTS: SRN 15 ÷ SRN 960





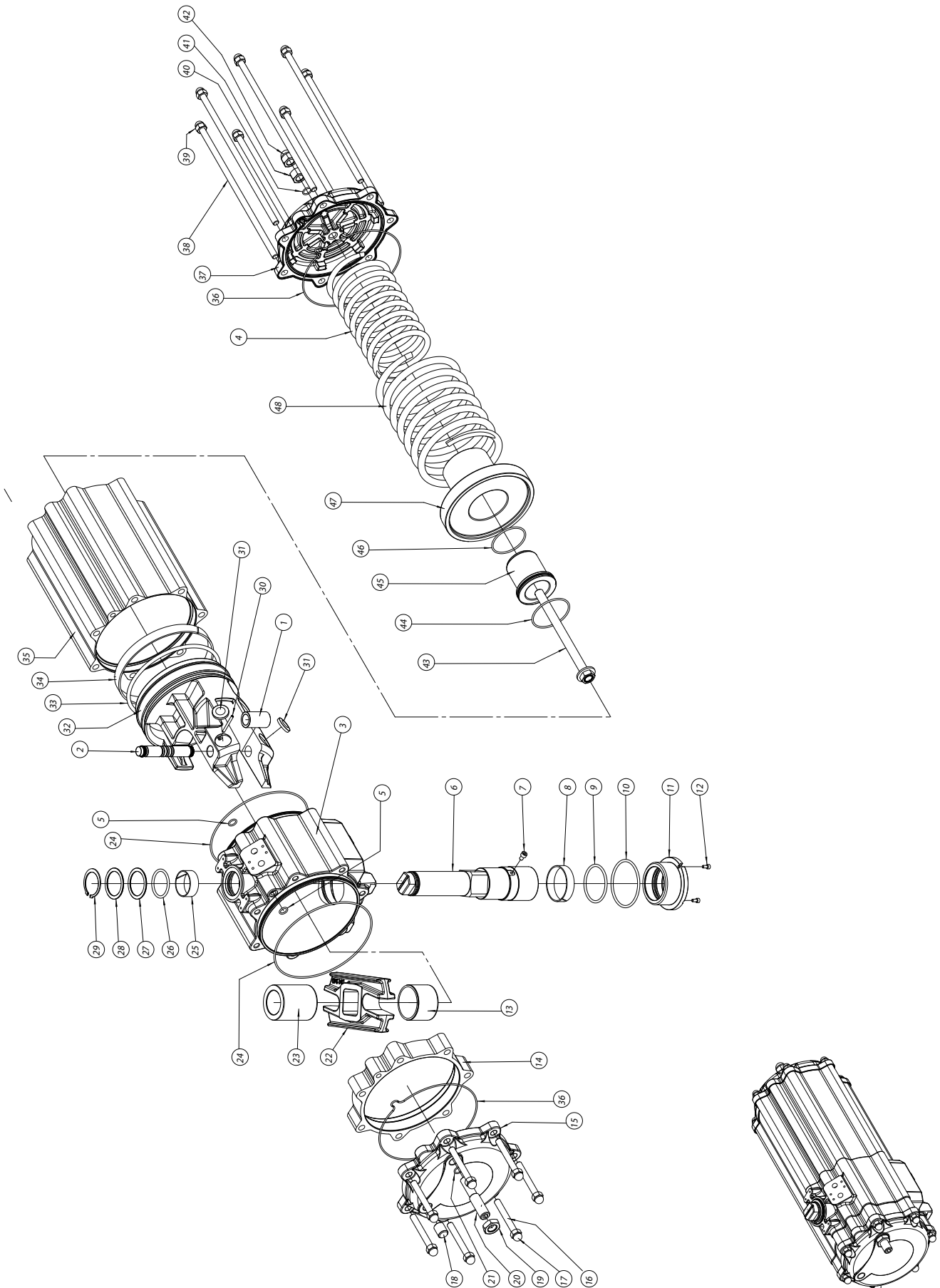
MATERIALI MATERIALS			
Pos	Denominazione Denomination	Q.ty	Materiale Material
1	Cilindro Cylinder	1	Lega di alluminio Aluminium alloy
2	Pistone Piston	2	Lega di alluminio Aluminium alloy
3	Tappo Cap	2	Lega di alluminio Aluminium alloy
4	Albero Shaft	1	Acciaio inox Stainless steel
5	Forcella Scotch yoke	1	Lega di acciaio Steel alloy
6	Bussola di scorrimento Support bush	1	Resina acetale Acetalic resin
7	Supporto albero Shaft support	1	Resina acetale Acetalic resin
8	Bussola Bush	2	Lega di acciaio Steel alloy
9	Perno Rotative sleeve	2	Lega di acciaio Steel alloy
10*	Anello di tenuta Dynamic seal	2	Poliuretano Polyurethan
11*	Dischetto di supporto Piston's suport	4	P.T.F.E. carbo-graphite filled
12*	O-ring pistone O-ring	2	Gomma nitrilica Nitrilic rubber
13	O-ring albero superiore O-ring (upper sealing shaft)	1	FKM
14	Anello di supporto esterno External support ring	1	Resina acetale Acetalic resin
15	Rondella di spessoramento Washer	1	Acciaio inox Stainless steel
16	Seeger	1	Acciaio inox Stainless steel
17	O-ring albero inferiore O-ring (lower sealing shaft)	1	FKM
18	Dado Nut	2	Lega di alluminio Aluminium alloy
19*	O-ring del tappo End-cap O-ring	2	Gomma nitrilica Nitrilic rubber
20	Viti Screws	8	Acciaio inox Stainless steel
21	Viti di precarica molla Spring loading screw	2	Lega di acciaio Steel alloy
22	Contentitore molla Spring cap	2	Lega di acciaio Steel alloy
23	Molla Spring	2	Lega di acciaio Steel alloy
24*	O-ring	2	Gomma nitrilica Nitrilic rubber
25	Spina elastica esterna External elastic pin of the yoke	1	Lega di acciaio Steel alloy
26	Spina elastica interna Internal elastic pin of the yoke	1	Lega di acciaio Steel alloy
27	Anello di centraggio Centering ring (OPTIONAL)	1	Lega di alluminio Aluminium alloy

* Particolari del kit di ricambio Components of spare part kit



COMPONENTI "AGO" SEMPLICE EFFETTO: SR 1440

"AGO" SPRING RETURN COMPONENTS: SR 1440





MATERIALI MATERIALS			
Pos	Denominazione	Q.ty	Materiale Material
1	Bussola acciaio Steel bush	1	Acciaio Steel alloy
2	Spina acciaio Steel pin	1	Acciaio Steel alloy
3	Corpo Body	1	Alluminio Aluminium
4	Molla interna Internal spring	1	Acciaio Steel alloy
5*	O-ring	2	Gomma nitrilica Nitrilic rubber
6	Albero Shaft	1	Acciaio Steel alloy
7	Vite antiespulsione Screw	1	Acciaio Steel alloy
8*	Supporto inferiore Bearing (shaft bottom)	1	P.T.F.E. carbo-graphite filled
9*	O-ring	1	FKM
10*	O-ring	1	FKM
11	Bussola di supporto inferiore Low bearing bush	1	Alluminio Aluminium
12	Vite per bussola Screw	2	Acciaio Steel alloy
13	Bussola di scorrimento Bearing shaft	1	Resina acetaltica Acetalic resin
14	Distanziale Spacer	1	Alluminio Aluminium
15	Tappo Cap	1	Alluminio Aluminium
16	Vite di assemblaggio Cap screw	7	Acciaio Steel alloy
17	Dado a calotta Cap nut	7	Acciaio Steel alloy
18	Grano (tappo) Grub screw	1	Acciaio Steel alloy
19	Dado Nut	1	Acciaio Steel alloy
20	Grano di regolazione Grub screw	1	Acciaio Steel alloy
21*	O-ring	1	Gomma nitrilica Nitrilic rubber
22	Forcella Scotch yoke	1	Acciaio Steel alloy
23	Bussola di scorr./supp. Bearing shaft	1	Resina acetaltica Acetalic resin
24*	O-ring	2	Gomma nitrilica Nitrilic rubber

* Particolari del kit di ricambio Components of spare part kit

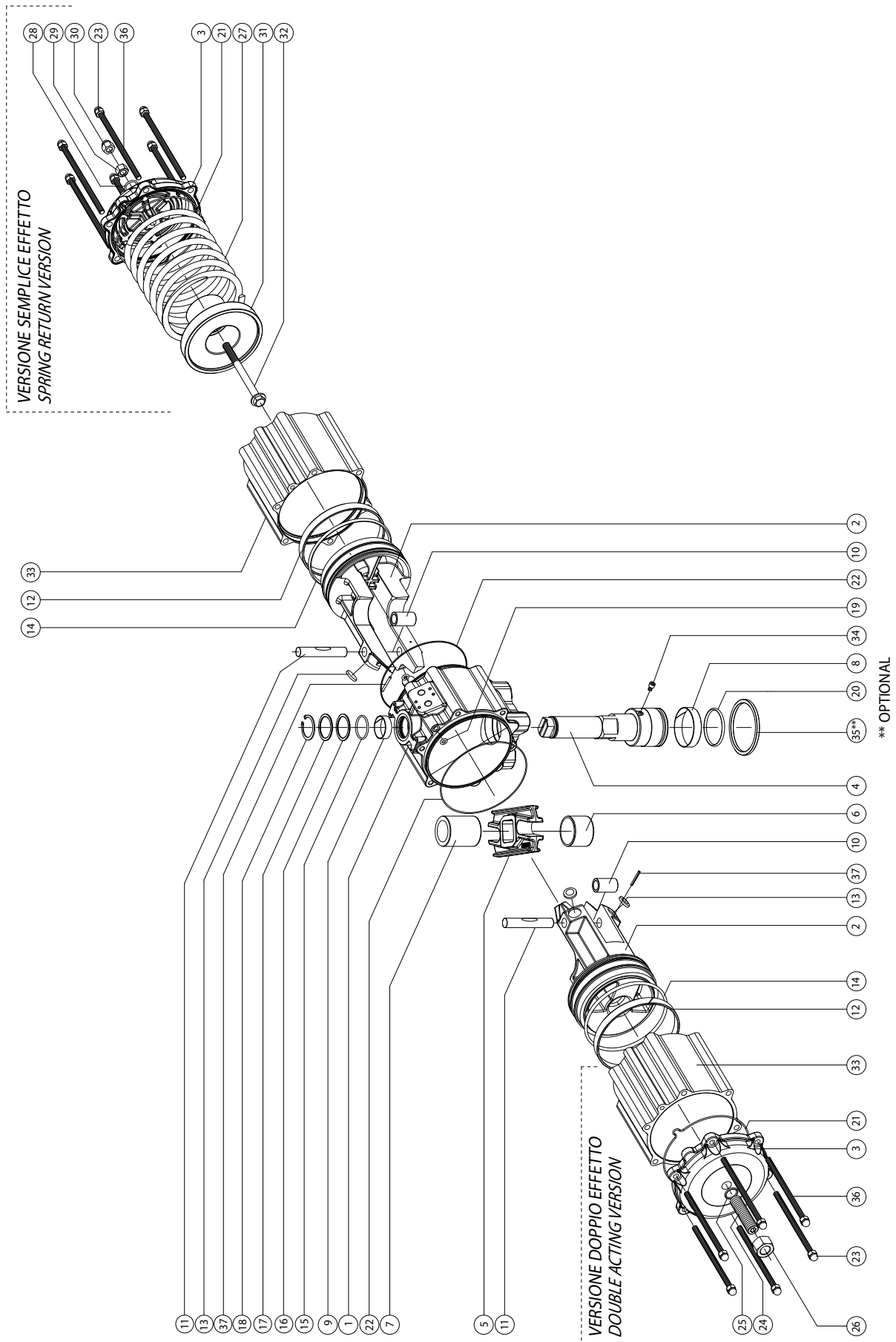
MATERIALI MATERIALS			
Pos	Denominazione	Q.ty	Materiale Material
25*	Supporto superiore Bearing (shaft top)	1	P.T.F.E. carbo-graphite filled
26*	O-ring	1	FKM
27*	Anello di supporto esterno Thrust bearing	1	Resina acetaltica Acetalic resin
28	Rondella di spessoramento Washer	1	Acciaio Steel alloy
29	Seeger	1	Acciaio Steel alloy
30	Spina antiespulsione Spring pin	1	Acciaio Steel alloy
31*	Dischetti Bearing (piston back)	2	Resina acetaltica Acetalic resin
32	Pistone Piston	1	Alluminio Aluminium
33*	O-ring	1	Gomma nitrilica Nitrilic rubber
34*	Anello di guida Bearing (piston head)	1	P.T.F.E. Carbo-Graphite filled
35	Cilindro laterale Lateral Cylinder	1	Acciaio Steel alloy
36*	O-ring	2	Gomma nitrilica Nitrilic rubber
37	Tappo Cap	1	Acciaio Steel alloy
38	Vite di assemblaggio Cap screws	7	Acciaio Steel alloy
39	Dado a calotta Nut	7	Acciaio Steel alloy
40*	O-ring	1	Gomma nitrilica Nitrilic rubber
41	Dado Nut	1	Acciaio Steel alloy
42	Dado a calotta Cap Nut	1	Acciaio Steel alloy
43	Vite di precarica molla Screw	1	Acciaio Steel alloy
44	O-ring	1	Gomma nitrilica Nitrilic rubber
45	Cont.molla piccolo Spring cap	1	Alluminio Aluminium
46	O-ring	1	Gomma nitrilica Nitrilic rubber
47	Cont.molla grande Spring cup	1	Alluminio Aluminium
48	Molla esterna External spring	1	Acciaio Steel alloy

* Particolari del kit di ricambio Components of spare part kit



COMPONENTI "AGO" SEMPLICE EFFETTO: SR 1920

"AGO" SPRING RETURN COMPONENTS: SR 1920





MATERIALI MATERIALS			
Pos	Denominazione Denomination	Qty	Materiale Material
1	Cilindro Cylinder	1	Lega di alluminio Aluminium alloy
2	Pistone Piston	2	Lega di alluminio Aluminium alloy
3	Tappo Cap	2	Lega di alluminio Aluminium alloy
4	Albero Shaft	1	Acciaio Inox Stainless steel
5	Forcella Scotch yoke	1	Lega di acciaio Steel alloy
6	Bussola di scorrimento Bearing shaft	1	Resina acetica Acetalic resins
7	Bussola scorrim/supporto Bearing shaft	1	Resina acetica Acetalic resins
8	Fascetta sup.infer. Bearing (shaft bottom)	1	P.T.F.E. carbo-graphite filled
9	Fascetta supp.super. Bearing (shaft top)	1	P.T.F.E. carbo-graphite filled
10	Bussola acciaio Steel bush	2	Lega di acciaio Steel alloy
11	Spina acciaio Steel pin	2	Lega di acciaio Steel alloy
12	Anello di guida Bearing (piston head)	2	P.T.F.E. Carbo-Graphite filled
13*	Dischetto supporto Bearing (piston back)	4	Resina acetica Acetalic resins
14*	O-ring del pistone O-ring	2	Gomma nitrilica Nitrilic rubber
15*	O-ring albero sup. O-ring	1	FKM
16	Anello supporto est. Thrust bearing	1	Resina acetica Acetalic resins
17	Rondella spessoramento Washer	1	Acciaio inox Stainless steel
18	Seeger	1	Acciaio inox Stainless steel
19*	O-ring condaria O-ring	2	Gomma nitrilica Nitrilic rubber

* Particolari del kit di ricambio Components of spare part kit

MATERIALI MATERIALS			
Pos	Denominazione Denomination	Qty	Materiale Material
20*	O-ring albero inferiore O-ring	1	FKM
21*	O-ring tappo O-ring	2	Gomma nitrilica Nitrilic rubber
22*	O-ring corpo-cilindro O-ring	2	Gomma nitrilica Nitrilic rubber
23	Dado a calotta Cap nut	12	Acciaio inox Stainless steel
24	Grano di regolaz. Grub screws	2	Acciaio inox Stainless steel
25*	O-ring grano O-ring	2	Gomma nitrilica Nitrilic rubber
26	Dado Nut	2	Acciaio inox Stainless steel
27	Molla Spring	4	Lega di acciaio Steel alloy
28*	O-ring regolazione O-ring	2	Gomma nitrilica Nitrilic rubber
29	Dado Nut	2	Acciaio inox Stainless steel
30	Dado a calotta Cap nut	2	Acciaio inox Stainless steel
31	Contentitore molla Spring cap	2	Lega di alluminio Aluminium alloy
32	Vite di prec.molla Screw	2	Acciaio inox Stainless steel
33	Cilindro laterale Cylinder	2	Lega di alluminio Aluminium alloy
34	Vite antiespulsione Screw	1	Acciaio inox Stainless steel
35**	Anello di centraggio Center ring (OPTIONAL)	1	Lega di alluminio Aluminium alloy
36	Vite di assemblaggio Cap screw	12	Acciaio Steel alloy
37	Spina antiespulsione Spring pin	2	Lega di acciaio Steel alloy

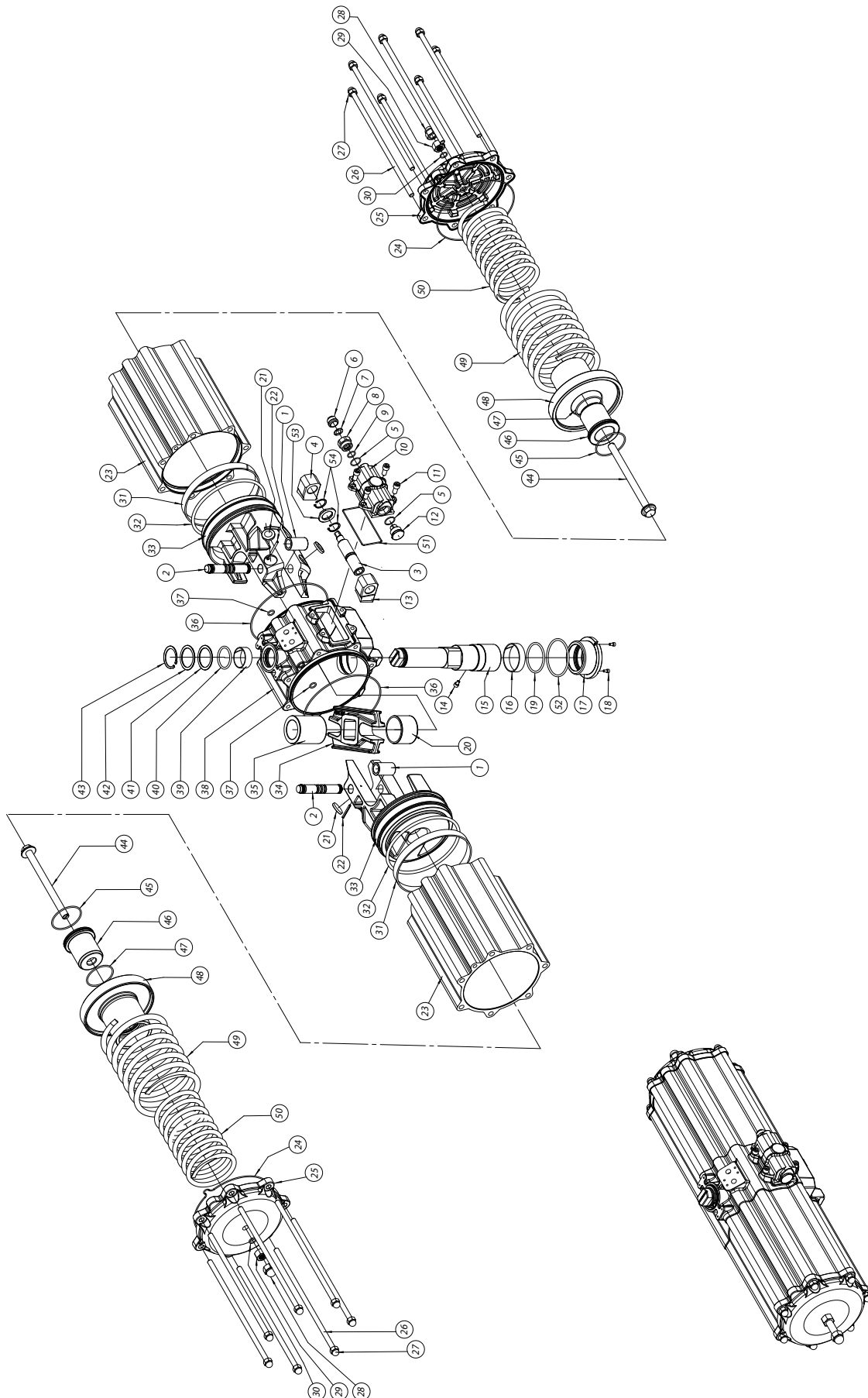
* Particolari del kit di ricambio Components of spare part kit

**OPTIONAL



COMPONENTI "AGO" SEMPLICE EFFETTO: SR 2880

"AGO" SPRING RETURN COMPONENTS: SR 2880





MATERIALI MATERIALS			
Pos	Denominazione	Q.ty	Materiale
28	Dado a calotta Cap nut	2	Acciaio Steel alloy
29	Dado Nut	2	Acciaio Steel alloy
30*	O-ring	2	Gomma nitrilica Nitrilic rubber
31*	Anello di guida Bearing (piston head)	2	P.T.F.E. Carbo-Graphite filled
32*	O-ring pistone O-ring	2	Gomma nitrilica Nitrilic rubber
33	Pistone Piston	2	Alluminio Aluminium
34	Forcella Scotch yoke	1	Acciaio Steel alloy
35	Bussola di scorr/supp Bearing shaft	1	Resina acetatica Acetalic resins
36*	O-ring	2	Gomma nitrilica Nitrilic rubber
37*	O-ring	2	Gomma nitrilica Nitrilic rubber
38	Corpo Body	1	Alluminio Aluminium
39*	Supporto superiore Bearing (shaft top)	1	P.T.F.E. carbo-graphite filled
40*	O-ring	1	FKM
41*	Anello di supp.esterno Thrust bearing	1	Resina acetatica Acetalic resins
42	Rondella di spessore Washer	1	Acciaio Steel alloy
43	Seeger	1	Acciaio Steel alloy
44	Vite precarica molla Screw	2	Acciaio Steel alloy
45*	O-ring	2	Gomma nitrilica Nitrilic rubber
46	Cont.molla piccolo Spring cap	2	Alluminio Aluminium
47*	O-ring	2	Gomma nitrilica Nitrilic rubber
48	Cont. molla grande Spring cap	2	Alluminio Aluminium
49	Molla esterna External spring	2	Acciaio Steel alloy
50	Molla interna Internal spring	2	Acciaio Steel alloy
51*	Guarnizione carter Gasket	1	Gomma nitrilica Nitrilic rubber
52*	O-ring	1	FKM
53	Rondella di supporto Washer	1	Acciaio Steel alloy
54	Seeger	2	Acciaio Steel alloy

* Particolari del kit di ricambio Components of spare part kit

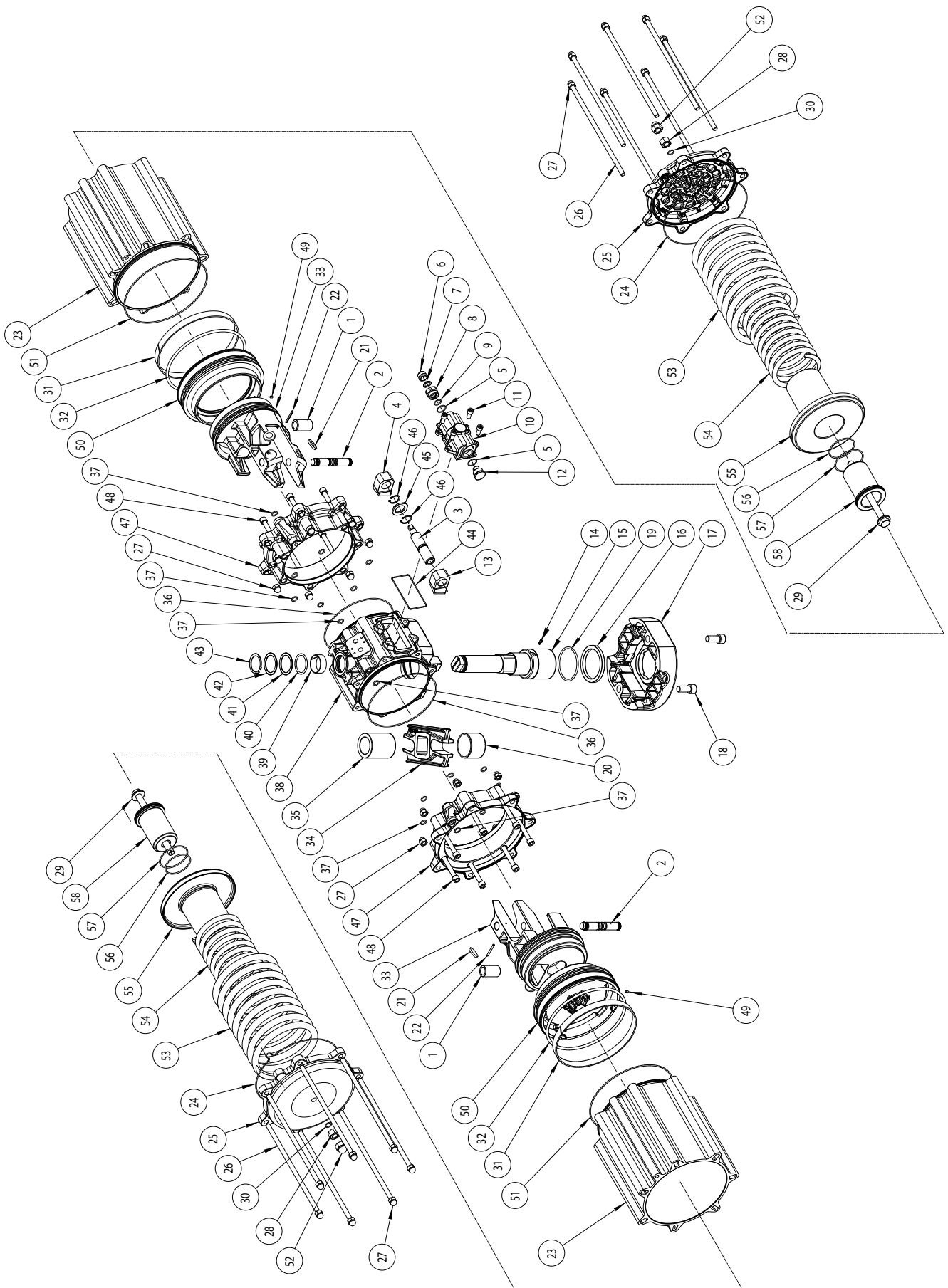
MATERIALI MATERIALS			
Pos	Denominazione	Q.ty	Materiale
1	Bussola acciaio Steel bush	2	Acciaio Steel alloy
2	Spina acciaio Steel pin	2	Acciaio Steel alloy
3	Vite di regolazione Adjustment screw	1	Acciaio Steel alloy
4	Fermo sinistro Left stop	1	Acciaio Steel alloy
5*	O-ring	2	Gomma nitrilica Nitrilic rubber
6	Tappo di protezione Protection cap	1	Alluminio Aluminium
7	Rondella antirrotazione Antirotation washer	1	Acciaio Steel alloy
8	Ghiera passante Metal ring	1	Acciaio inox Stainless steel
9*	O-ring	1	Gomma nitrilica Nitrilic rubber
10	Carter di regolaz Carter	1	Alluminio Aluminium
11	Vite per carter Screw	4	Acciaio Steel alloy
12	Ghiera cieca Metal ring	1	Acciaio inox Stainless steel
13	Fermo destro Right stop	1	Acciaio Steel alloy
14	Vite antiespulsione Screw	1	Acciaio Steel alloy
15	Albero Shaft	1	Acciaio Steel alloy
16	Supporto inferiore Bearing (shaft bottom)	1	P.T.F.E. carbo-graphite filled
17	Bussola di supporto inferiore low bearing bush	1	Alluminio Aluminium
18	Vite per bussola Screw	2	Acciaio Steel alloy
19*	O-ring	1	FKM
20	Bussola di scorrimento Bearing shaft	1	Resina acetatica Acetalic resins
21*	Dischetti Bearing (piston back)	4	Resina acetatica Acetalic resins
22	Spina antiespulsione Spring pin	2	Acciaio Steel alloy
23	Cilindro laterale Lateral cylinder	2	Alluminio Aluminium
24*	O-ring tappo O-ring	2	Gomma nitrilica Nitrilic rubber
25	Tappo Cap	2	Alluminio Aluminium
26	Vite di assemblaggio Cap screws	14	Acciaio Steel alloy
27	Dado a calotta Cap nut	14	Acciaio Steel alloy

* Particolari del kit di ricambio Components of spare part kit



COMPONENTI "AGO" SEMPLICE EFFETTO: SR 4000

"AGO" SPRING RETURN COMPONENTS: SR 4000





MATERIALI MATERIALS				
Pos	Denominazione Denomination	Q.ty	Materiale Material	
30*	O-ring	2	Gomma nitrilica Nitrilic rubber	
31*	Anello di guida Bearing (piston head)	2	P.T.F.E. Carbo-Graphite filled	
32*	O-ring pistone O-ring	2	NBR	
33	Pistone Piston	2	Alluminio Aluminium	
34	Forcella Scotch Yoke	1	Acciaio Steel alloy	
35	Bussola di scorr./supp Bearing shaft	1	Resina acetatica Acetalic Resins	
36*	O-ring	2	Gomma nitrilica Nitrilic rubber	
37*	O-ring	18	Gomma nitrilica Nitrilic rubber	
38	Corpo Body	1	Alluminio Aluminium	
39*	Supporto superiore Bearing (Shaft top)	1	P.T.F.E. carbo-graphite filled	
40*	O-ring	1	FKM	
41*	Anello di supp.esterno Thrust bearing	1	Resina acetatica Acetalic resins	
42	Rondella di spessoram. Washer	1	Acciaio Steel alloy	
43	Seeger	1	Acciaio Steel alloy	
44*	Guarnizione carter Gasket	1	Gomma nitrilica Nitrilic rubber	
45	Rondella supporto Washer	1	Acciaio Steel alloy	
46	Seeger	2	Acciaio Steel alloy	
47	Flangia rid.cilindro Flange	2	Alluminio Aluminium	
48	Viti flangia Screw	14	Acciaio Steel alloy	
49	Grano Grub screw	2	Acciaio Steel alloy	
50	Flangia rid.pistone Flange	2	Alluminio Aluminium	
51*	O-ring	2	Gomma nitrilica Nitrilic rubber	
52	Dado a calotta Cap nut	2	Acciaio Steel alloy	
53	Molla esterna External spring	2	Acciaio Steel alloy	
54	Molla interna Internal spring	2	Acciaio Steel alloy	
55	Cont. molla grande Spring cap	2	Alluminio Aluminium	
56	O-ring	2	Gomma nitrilica Nitrilic rubber	
57	O-ring	2	Gomma nitrilica Nitrilic rubber	
58	Cont.molla piccolo Spring cap	2	Alluminio Aluminium	

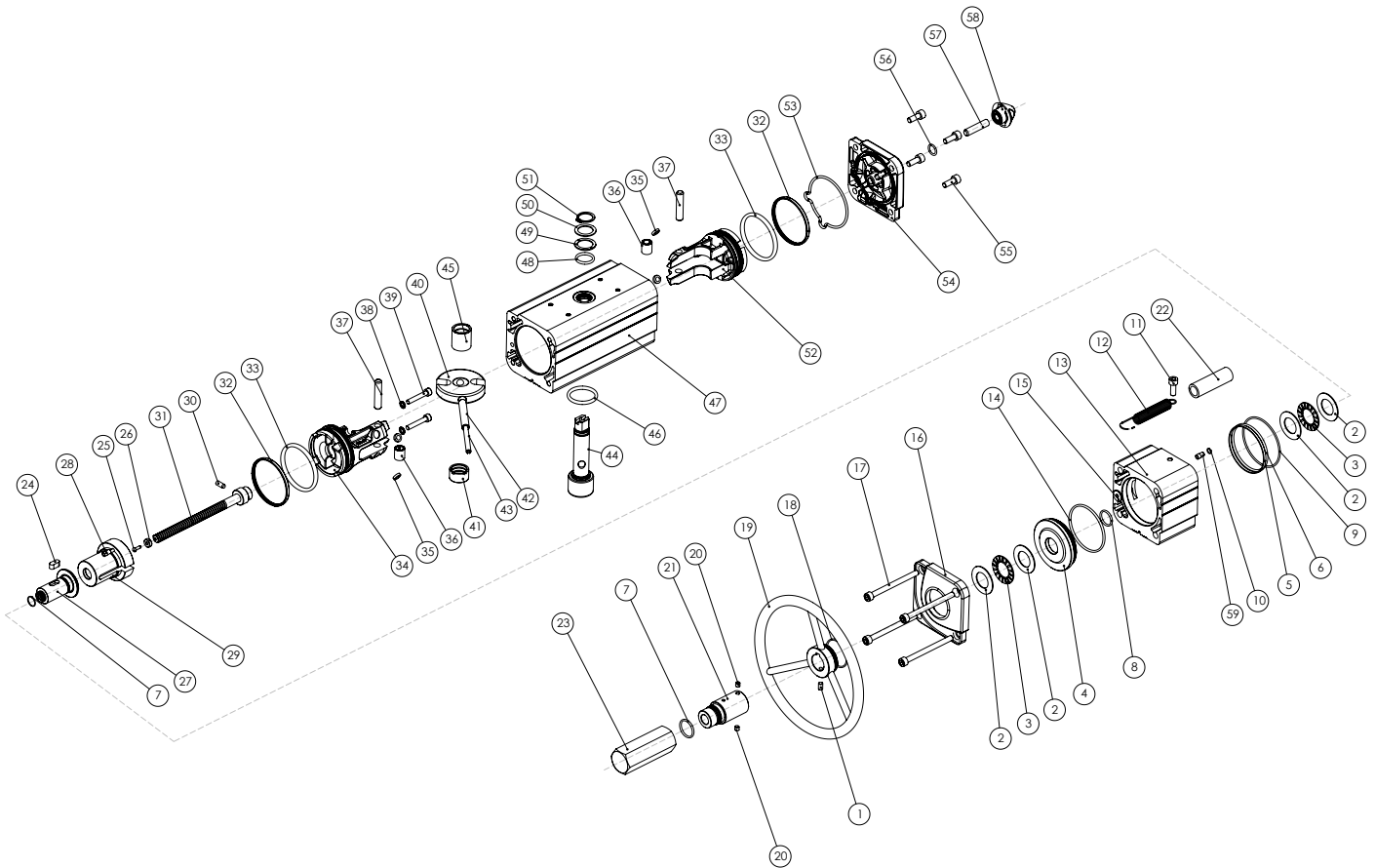
* Particolari del kit di ricambio Components of spare part kit

MATERIALI MATERIALS				
Pos	Denominazione Denomination	Q.ty	Materiale Material	
1	Bussola acciaio Steel bush	2	Acciaio Steel/Alloy	
2	Spina acciaio Steel pin	2	Acciaio Steel/Alloy	
3	Vite di regolazione Regulation screw	1	Acciaio Steel/Alloy	
4	Fermo sinistro Left stop	1	Acciaio Steel/Alloy	
5*	O-ring	2	Gomma nitrilica Nitrilic rubber	
6	Tappo di protezione Protection cap	1	Alluminio Aluminium	
7	Rondella antirotazione Antirotation washer	1	Acciaio Steel/Alloy	
8	Ghiera passante Metal ring	1	Acciaio inox Stainless steel	
9*	O-ring	1	Gomma nitrilica Nitrilic rubber	
10	Carter di regolaz. Carter	1	Alluminio Aluminium	
11	Vite per carter Screw	4	Acciaio Steel/Alloy	
12	Ghiera cieca Metal ring	1	Acciaio inox Stainless steel	
13	Fermo destro Right stop	1	Acciaio Steel/Alloy	
14	Vite antiespulsione Screw	1	Acciaio Steel/Alloy	
15	Albero Shaft	1	Acciaio Steel/Alloy	
16	Supporto inferiore Bearing (shaft bottom)	1	P.T.F.E. carbo-graphite filled	
17	Interfaccia F25 Interface F25	1	Alluminio Aluminium	
18	Vite per interfaccia Screw	2	Acciaio Steel/Alloy	
19*	O-ring	1	FKM	
20	Bussola di scorrimento Bearing shaft	1	Resina acetatica Acetalic Resins	
21*	Dischetti Bearing (piston back)	4	Resina acetatica Acetalic Resins	
22	Spina antiespulsione Spring pin	2	Acciaio Steel/Alloy	
23	Cilindro laterale Lateral cylinder	2	Alluminio Aluminium	
24*	O-ring tappo O-ring	2	Gomma nitrilica Nitrilic rubber	
25	Tappo Cap	2	Alluminio Aluminium	
26	Vite di assemblaggio Cap screws	14	Acciaio Steel/Alloy	
27	Dado a calotta Cap nut	28	Acciaio Steel/Alloy	
28	Dado Nut	2	Acciaio Steel/Alloy	
29	Vite precarica molla Screw	2	Acciaio Steel/Alloy	

* Particolari del kit di ricambio Components of spare part kit



COMPONENTI AGO HANDWHEEL "DA" CON VOLANTINO INTEGRATO: FINO A DANV 1920 AGO HANDWHEEL "DA" COMPONENTS WITH INTEGRATED HANDWHEEL: UP TO DANV 1920



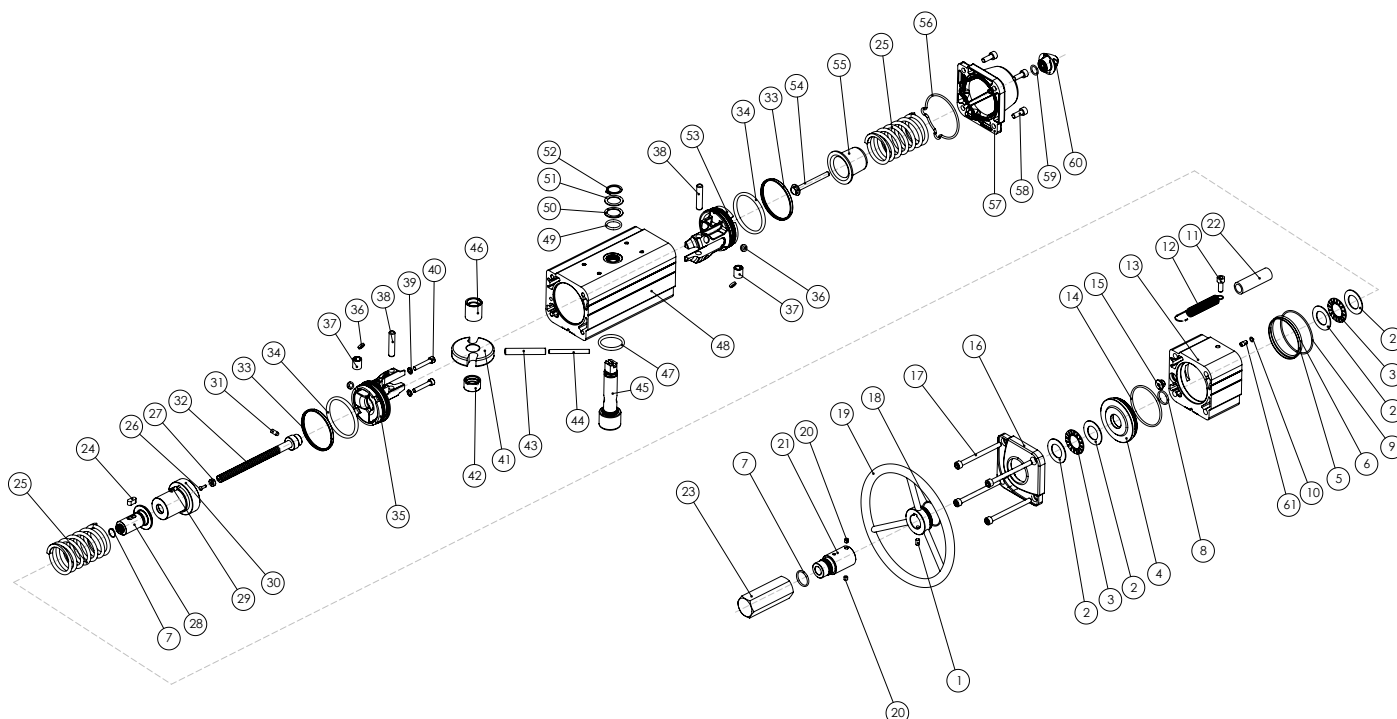
Pos	Denominazione Denomination	Q.	Materiale Material
1	Vite Screw	1	Acciaio inox Stainless Steel
2*	Rondelle per Cuscinetti a rullini Washer for roller bearings	4	Lega di acciaio Steel alloy
3*	Cuscinetti a rullini Roller bearings	2	Lega di acciaio Steel alloy
4	Flangia Flange	1	Lega di alluminio Aluminium alloy
5	Anello di Centraggio (Solo per DANV720) Centering ring (Only for DANV720)	1	Lega di alluminio Aluminium alloy
6*	O'ring (Solo per DANV720) (Only for DANV720)	1	Gomma nitrilica Nitrilic rubber
7*	O'ring	2	Gomma nitrilica Nitrilic rubber
8*	O'ring	1	Gomma nitrilica Nitrilic rubber
9*	O'ring	1	Gomma nitrilica Nitrilic rubber
10*	O'ring	1	Gomma nitrilica Nitrilic rubber
11	Vite Screw	1	Acciaio inox Stainless Steel
12	Molla Spring	1	Acciaio inox Stainless Steel
13	Cilindro distanziale Cylinder spacer	1	Lega di alluminio Aluminium alloy
14*	O'ring	1	Gomma nitrilica Nitrilic rubber
15*	Tappo guarnizione Seal cap	1	Ottone+Gomma nitrilica Brass+Nitrilic rubber
16	Tappo (modificato) Cap (modified)	1	Lega di alluminio Aluminium alloy
17	Vite Screw	4	Acciaio inox Stainless Steel
18*	O'ring	1	Gomma nitrilica Nitrilic rubber
19	Volantino di manovra Handwheel for maneuver	1	Lega di acciaio Steel alloy
20	Grano Set screw	2	Acciaio inox Stainless Steel
21	Tubo di protezione Protecting tube	1	Lega di alluminio Aluminium alloy
22	Tubo trasparente Transparent tube	1	PVC
23	Tappo di protezione Protecting cap	1	Lega di alluminio Aluminium alloy
24	Chiave Key	1	Lega di acciaio Steel alloy
25*	Rivetto Rivet	1	Lega di acciaio Steel alloy
26*	Indicatore Indicator	1	Polipropilene Polypropylene
27	Chiocciola di manovra Lead nut maneuver	1	Lega di acciaio Steel alloy
28	Boccola filettata (Solo per DANV480) Threaded bush (Only for DANV480)	2	Acciaio inox Stainless Steel
29	Contentitore molla speciale Special spring cap	1	Lega di alluminio Aluminium alloy
30	Spina Pin	1	Lega di acciaio Steel alloy

Pos	Denominazione Denomination	Q.	Materiale Material
31	Vite di manovra Screw maneuver	1	Lega di acciaio Steel alloy
32*	Anello di tenuta (Pistone) Dynamic seal (Piston)	2	Poliuretano Polyurethane
33*	O'ring pistone Piston o'ring	2	Gomma nitrilica Nitrilic rubber
34	Pistone (modificato) Piston (modified)	1	Lega di alluminio Aluminium alloy
35*	Dischetto di supporto Piston's support	4	P.T.F.E. carbo-graphite filled
36	Bussola Bush	2	Lega di acciaio Steel alloy
37	Perno Rotative sleeve	2	Lega di acciaio Steel alloy
38*	Guarnizione Bounded	2	Lega di acciaio+Gomma nitrilica Steel alloy+Nitrilic rubber
39	Vite Screw	2	Acciaio inox Stainless Steel
40	Forcella Scotch yoke	1	Lega di acciaio Steel alloy
41	Supporto albero Shaft support	1	Resina Acetalica Acetalic resin
42	Spina elastica esterna External elastic pin of the yoke	1	Lega di acciaio Steel alloy
43	Spina elastica interna Internal elastic pin of the yoke	1	Lega di acciaio Steel alloy
44	Albero Shaft	1	Acciaio inox Stainless Steel
45	Bussola di scorrimento Support bush	1	Resina Acetalica Acetalic resin
46	O'ring albero inferiore Lower sealing shaft	1	FKM
47	Cilindro Cylinder	1	Lega di alluminio Aluminium alloy
48	O'ring albero superiore Upper sealing shaft	1	FKM
49	Anello di supporto esterno External support ring	1	Resina Acetalica Acetalic resin
50	Rondella Washer	1	Acciaio inox Stainless Steel
51	Seeger	1	Acciaio inox Stainless Steel
52	Pistone (Standard) Piston (Standard)	1	Lega di alluminio Aluminium alloy
53*	O'ring tappo Cap o'ring	1	Gomma nitrilica Nitrilic rubber
54	Tappo (Standard) Cap (Standard)	1	Lega di alluminio Aluminium alloy
55	Vite Screw	4	Acciaio inox Stainless Steel
56*	O'ring	1	Gomma nitrilica Nitrilic rubber
57	Grano Grub screw	1	Acciaio inox Stainless Steel
58	Dado Nut	1	Lega di alluminio Aluminium alloy
59	Inserto per o'ring Insert for o'ring (Only for DANV106-240-360-720)	1	Acciaio inox Stainless Steel

*Particolari del kit di ricambio Components of spare part kit



COMPONENTI AGO HANDWHEEL "SR" CON VOLANTINO INTEGRATO: FINO A SRNV 960 AGO HANDWHEEL "SR" COMPONENTS WITH INTEGRATED HANDWHEEL: UP TO SRNV 960



MATERIALI		MATERIALS	
Pos	Denominazione Denomination	Q.	Materiale Material
1	Vite Screw	1	Acciaio inox Stainless Steel
2*	Rondelle per Cuscinetti a rullini Washer for roller bearings	4	Legha di acciaio Steel alloy
3*	Cuscinetti a rullini Roller bearings	2	Legha di acciaio Steel alloy
4	Flangia Flange	1	Legha di alluminio Aluminium alloy
5	Anello di Centraggio (Solo per SRNV360) Centering ring (Only for SRNV360)	1	Legha di alluminio Aluminium alloy
6*	O'ring (Solo per SRNV360) (Only for SRNV360)	1	Gomma nitrilica Nitrilic rubber
7*	O'ring	2	Gomma nitrilica Nitrilic rubber
8*	O'ring	1	Gomma nitrilica Nitrilic rubber
9*	O'ring	1	Gomma nitrilica Nitrilic rubber
10*	O'ring	1	Gomma nitrilica Nitrilic rubber
11	Vite Screw	1	Acciaio inox Stainless Steel
12	Molla Spring	1	Acciaio inox Stainless Steel
13	Cilindro distanziale Cylinder spacer	1	Legha di alluminio Aluminium alloy
14*	O'ring	1	Gomma nitrilica Nitrilic rubber
15*	Tappo guarnizione Seal cap	1	Ottone+Gomma nitrilica Brass+Nitrilic rubber
16	Tappo (modificato) Cap (modified)	1	Legha di alluminio Aluminium alloy
17	Vite Screw	4	Acciaio inox Stainless Steel
18*	O'ring	1	Gomma nitrilica Nitrilic rubber
19	Volantino di manovra Handwheel for maneuver	1	Legha di acciaio Steel alloy
20	Grano Set screw	2	Acciaio inox Stainless Steel
21	Tubo di protezione Protecting tube	1	Legha di alluminio Aluminium alloy
22	Tubo trasparente Transparent tube	1	PVC
23	Tappo di protezione Protecting cap	1	Legha di alluminio Aluminium alloy
24	Chiave Key	1	Legha di acciaio Steel alloy
25	Molla Spring	2	Legha di acciaio Steel alloy
26*	Rivetto Rivet	1	Legha di acciaio Steel alloy
27*	Indicatore Indicator	1	Polipropilene Polypropylene
28	Chiocciola di manovra Lead nut maneuver	1	Legha di acciaio Steel alloy
29	Boccola filettata (Solo per SRNV240) Threaded bush (Only for SRNV240)	2	Acciaio inox Stainless Steel
30	Contentitore molla speciale Special spring cap	1	Legha di alluminio Aluminium alloy

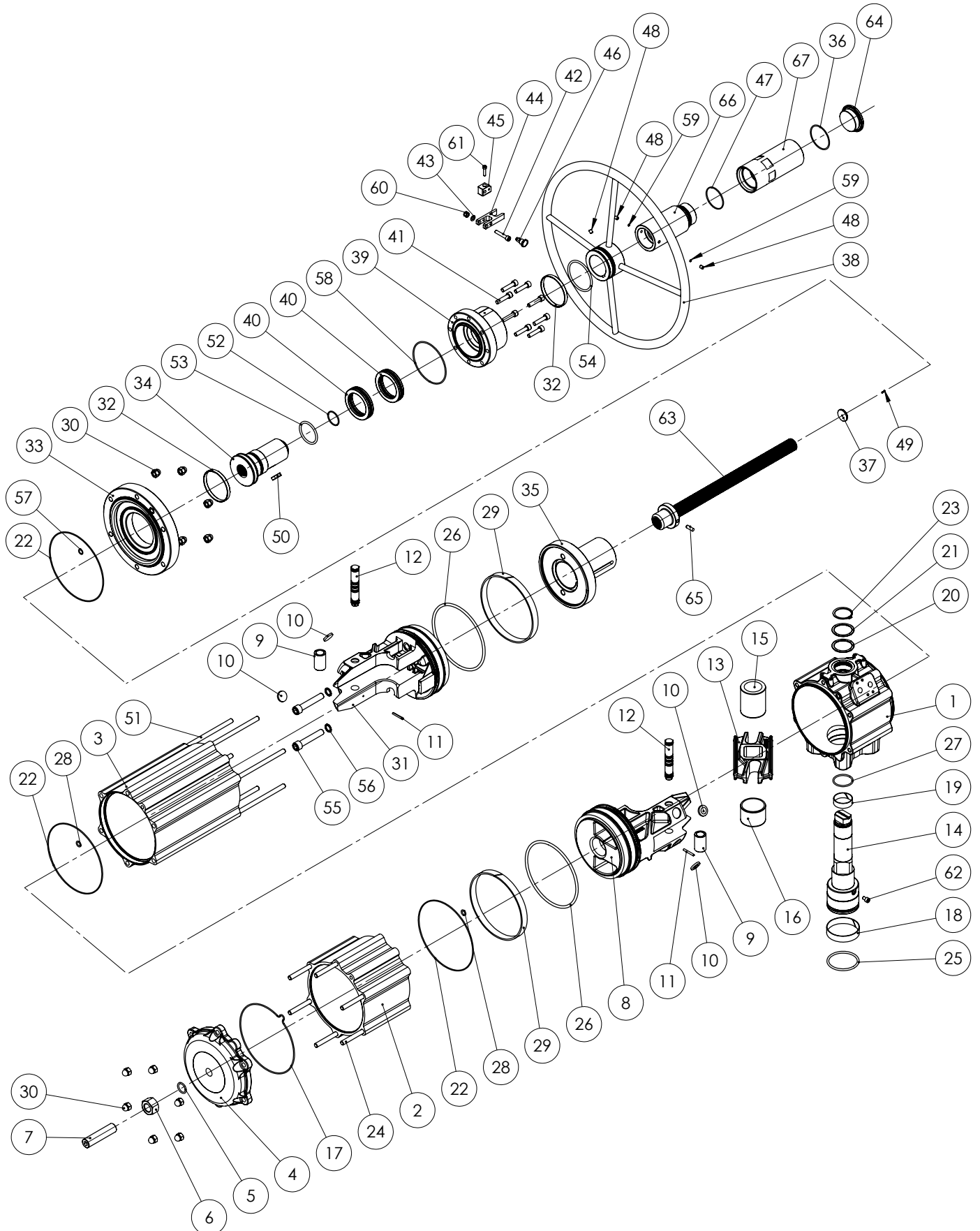
MATERIALI		MATERIALS	
Pos	Denominazione Denomination	Q.	Materiale Material
31	Spina Pin	1	Legha di acciaio Steel alloy
32	Vite di manovra Screw maneuver	1	Legha di acciaio Steel alloy
33*	Anello di tenuta (Pistone) Dynamic seal (Piston)	2	Poliuretano Polyurethane
34*	O'ring pistone Piston o'ring	2	Gomma nitrilica Nitrilic rubber
35	Pistone (modificato) Piston (modified)	1	Legha di alluminio Aluminium alloy
36*	Dischetto di supporto Piston's support	4	P.T.F.E. carbo-graphite filled
37	Bussola Bush	2	Legha di acciaio Steel alloy
38	Perno Rotative sleeve	2	Legha di acciaio Steel alloy
39*	Guarnizione Bounded	2	Legha di acciaio+Gomma nitrilica Steel alloy+Nitrilic rubber
40	Vite Screw	2	Acciaio inox Stainless Steel
41	Forcella Scotch yoke	1	Legha di acciaio Steel alloy
42	Supporto albero Shaft support	1	Resina Acetalica Acetalic resin
43	Spina elastica esterna External elastic pin of the yoke	1	Legha di acciaio Steel alloy
44	Spina elastica interna Internal elastic pin of the yoke	1	Legha di acciaio Steel alloy
45	Albero Shaft	1	Acciaio inox Stainless Steel
46	Bussola di scorrimento Support bush	1	Resina Acetalica Acetalic resin
47	O'ring albero inferiore Lower sealing shaft	1	FKM
48	Cilindro Cylinder	1	Legha di alluminio Aluminium alloy
49	O'ring albero superiore Upper sealing shaft	1	FKM
50	Anello di supporto esterno External support ring	1	Resina Acetalica Acetalic resin
51	Rondella Washer	1	Acciaio inox Stainless Steel
52	Seeger	1	Acciaio inox Stainless Steel
53	Pistone (Standard) Piston (Standard)	1	Legha di alluminio Aluminium alloy
54	Vite di precarica molla Spring loading screw	1	Acciaio inox Stainless Steel
55	Contentitore molla (Standard) Spring cap (Standard)	1	Legha di acciaio o Legha di alluminio Steel alloy or Aluminium alloy
56*	O'ring tappo Cap o'ring	1	Gomma nitrilica Nitrilic rubber
57	Tappo (Standard) Cap (Standard)	1	Legha di alluminio Aluminium alloy
58	Vite Screw	4	Acciaio inox Stainless Steel
59*	O'ring	1	Gomma nitrilica Nitrilic rubber
60	Dado Nut	1	Legha di alluminio Aluminium alloy
61	Inserto per o'ring Insert for o'ring (Only for SRNV53-120-180-360)	1	Acciaio inox Stainless Steel

*Particolari del kit di ricambio Components of spare part kit



COMPONENTI AGO HANDWHEEL "DA" CON VOLANTINO INTEGRATO: DANV 3840

AGO HANDWHEEL "DA" COMPONENTS WITH INTEGRATED HANDWHEEL: DANV 3840





MATERIALI		MATERIALS	
Pos	Denominazione Denomination	Q.ty	Materiale Material
1	Cilindro Cylinder	1	Lega di alluminio Aluminium alloy
2	Cilindro Laterale Cylinder	1	Lega di alluminio Aluminium alloy
3	Cilindro Laterale Cylinder	1	Lega di alluminio Aluminium alloy
4	Tappo (Standard) Cap (Standard)	1	Lega di alluminio Aluminium alloy
5*	O'ring	1	Gomma nitrilica Nitrilic rubber
6	Dado Nut	1	Acciaio inox Stainless Steel
7	Grano Grub screw	1	Acciaio inox Stainless Steel
8	Pistone (Standard) Piston (Standard)	1	Lega di alluminio Aluminium alloy
9	Bussola Bush	2	Lega di acciaio Steel alloy
10*	Dischetto di supporto Piston's support	4	Resina Acetalica Acetalic resin
11	Spina Pin	2	Lega di acciaio Steel alloy
12	Perno Rotative sleeve	2	Lega di acciaio Steel alloy
13	Forcella Scotch yoke	1	Lega di acciaio Steel alloy
14	Albero Shaft	1	Acciaio inox Stainless Steel
15	Bussola di scorrimento Support bush	1	Resina Acetalica Acetalic resin
16	Supporto albero Shaft support	1	Resina Acetalica Acetalic resin
17*	O'ring tappo Cap o'ring	1	Gomma nitrilica Nitrilic rubber
18*	Boccola (albero inferiore) Bearing (shaft bottom)	1	P.T.F.E. carbo-graphite filled
19*	Boccola (albero superiore) Bearing (shaft top)	1	P.T.F.E. carbo-graphite filled
20*	Anello di supporto esterno External support ring	1	Resina Acetalica Acetalic resin
21	Rondella Washer	1	Acciaio inox Stainless Steel
22*	O'ring	3	Gomma nitrilica Nitrilic rubber
23	Seeger	1	Acciaio inox Stainless Steel
24	Vite Screw	6	Acciaio inox Stainless Steel
25*	O'ring albero inferiore Lower sealing shaft	1	FKM
26*	O'ring pistone Piston o'ring	2	Gomma nitrilica Nitrilic rubber
27*	O'ring albero superiore Upper sealing shaft	1	FKM
28*	O'ring	2	Gomma nitrilica Nitrilic rubber
29*	Anello di guida Bearing (piston head)	2	P.T.F.E. Carbo-Graphite filled
30	Dado Nut	12	Acciaio inox Stainless Steel
31	Pistone (modificato) Piston (modified)	1	Lega di alluminio Aluminium alloy
32*	Cuscinetto (Volantino) Bearings (Handwheel)	2	Poliuretano Polyurethane
33	Tappo (modificato) Cap (modified)	1	Lega di alluminio Aluminium alloy
34	Chiocciola di manovra Lead nut maneuver	1	Lega di acciaio Steel alloy

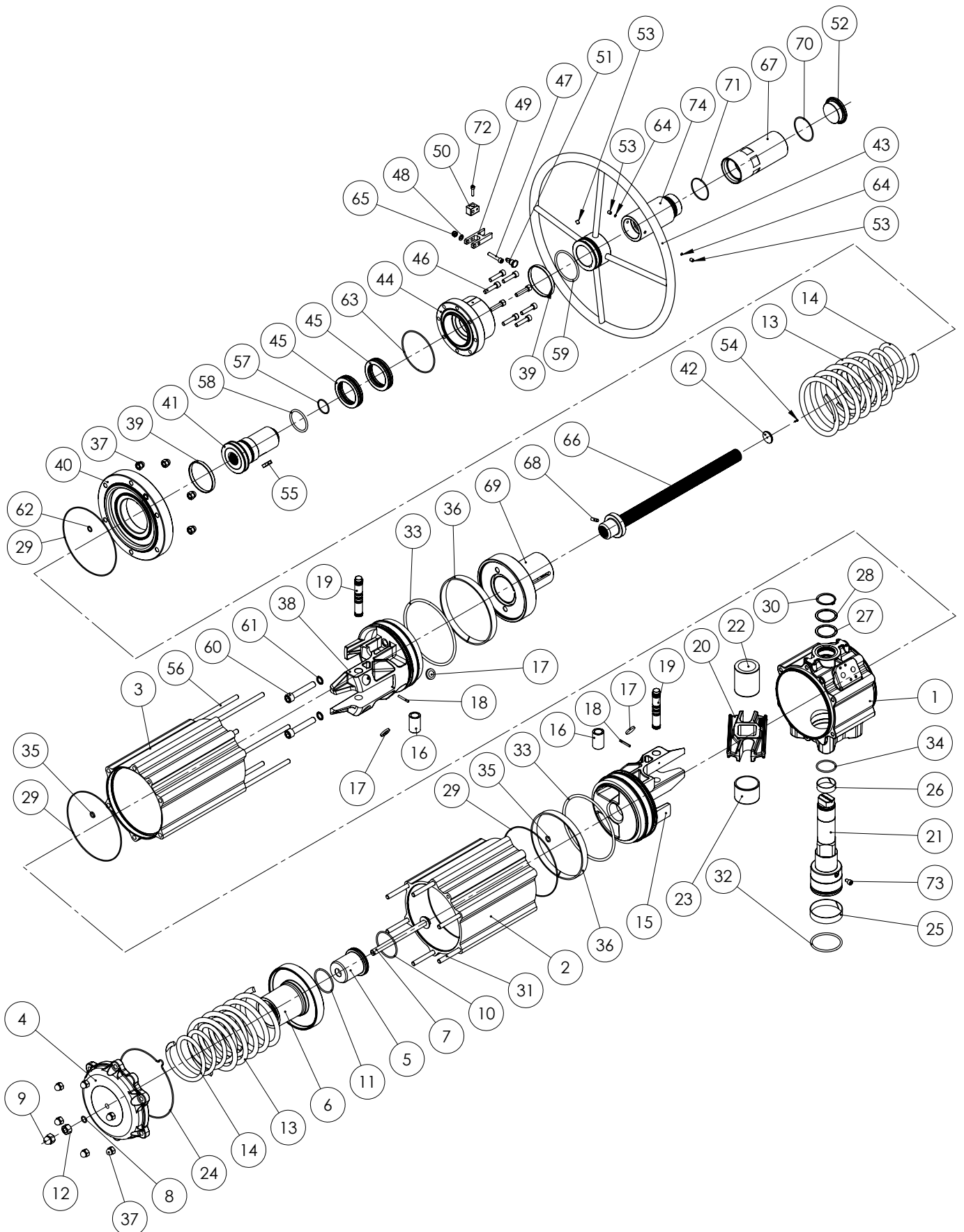
MATERIALI		MATERIALS	
Pos	Denominazione Denomination	Q.ty	Materiale Material
35	Contentitore molla speciale Special spring cap	1	Lega di acciaio Steel alloy
36*	O'ring	1	Gomma nitrilica Nitrilic rubber
37*	Indicatore Indicator	1	Polipropilene Polypropylene
38	Volantino di manovra Handwheel for maneuver	1	Lega di acciaio Steel alloy
39	Flangia Flange	1	Lega di alluminio Aluminium alloy
40*	Cuscinetto Thrust bearings	2	Lega di acciaio Steel alloy
41	Vite Screw	8	Acciaio inox Stainless Steel
42	Vite Screw	1	Acciaio inox Stainless Steel
43	Rondella Washer	1	Acciaio inox Stainless Steel
44	Chiusura forcella Closing fork	1	Lega di alluminio Aluminium alloy
45	Supporto forcella Fork support	1	Lega di alluminio Aluminium alloy
46	Lucchetto Lock wheel	1	Acciaio inox Stainless Steel
47*	O'ring	1	Gomma nitrilica Nitrilic rubber
48	Vite Screw	3	Acciaio inox Stainless Steel
49*	Rivetto Rivet	1	Acciaio inox Stainless Steel
50	Chiave Key	1	Acciaio inox Stainless Steel
51	Vite Screw	6	Lega di acciaio Steel alloy
52*	O'ring	1	Gomma nitrilica Nitrilic rubber
53*	O'ring	1	Gomma nitrilica Nitrilic rubber
54*	O'ring	1	Gomma nitrilica Nitrilic rubber
55	Vite Screw	2	Acciaio inox Stainless Steel
56*	Guarnizione Bounded	2	Lega di acciaio+Gomma nitrilica Steel alloy+Nitrilic rubber
57*	O'ring	1	Gomma nitrilica Nitrilic rubber
58*	O'ring	1	Gomma nitrilica Nitrilic rubber
59*	Tappo Plug	2	P.T.F.E.
60	Dado Nut	1	Acciaio inox Stainless Steel
61	Vite Screw	1	Acciaio inox Stainless Steel
62	Vite di sicurezza Safety screw	1	Acciaio inox Stainless Steel
63	Vite di manovra Screw maneuver	1	Acciaio inox Stainless Steel
64	Tappo di protezione Protecting cap	1	Lega di alluminio Aluminium alloy
65	Spina Pin	1	Acciaio inox Stainless Steel
66	Tubo di protezione Protecting tube	1	Lega di alluminio Aluminium alloy
67	Tubo di protezione removibile Protecting removable tube	1	Lega di alluminio Aluminium alloy

* Particolari del kit di ricambio Components of spare part kit



COMPONENTI AGO HANDWHEEL "SR" CON VOLANTINO INTEGRATO: SRNV 1920

AGO HANDWHEEL "SR" COMPONENTS WITH INTEGRATED HANDWHEEL: SRNV 1920





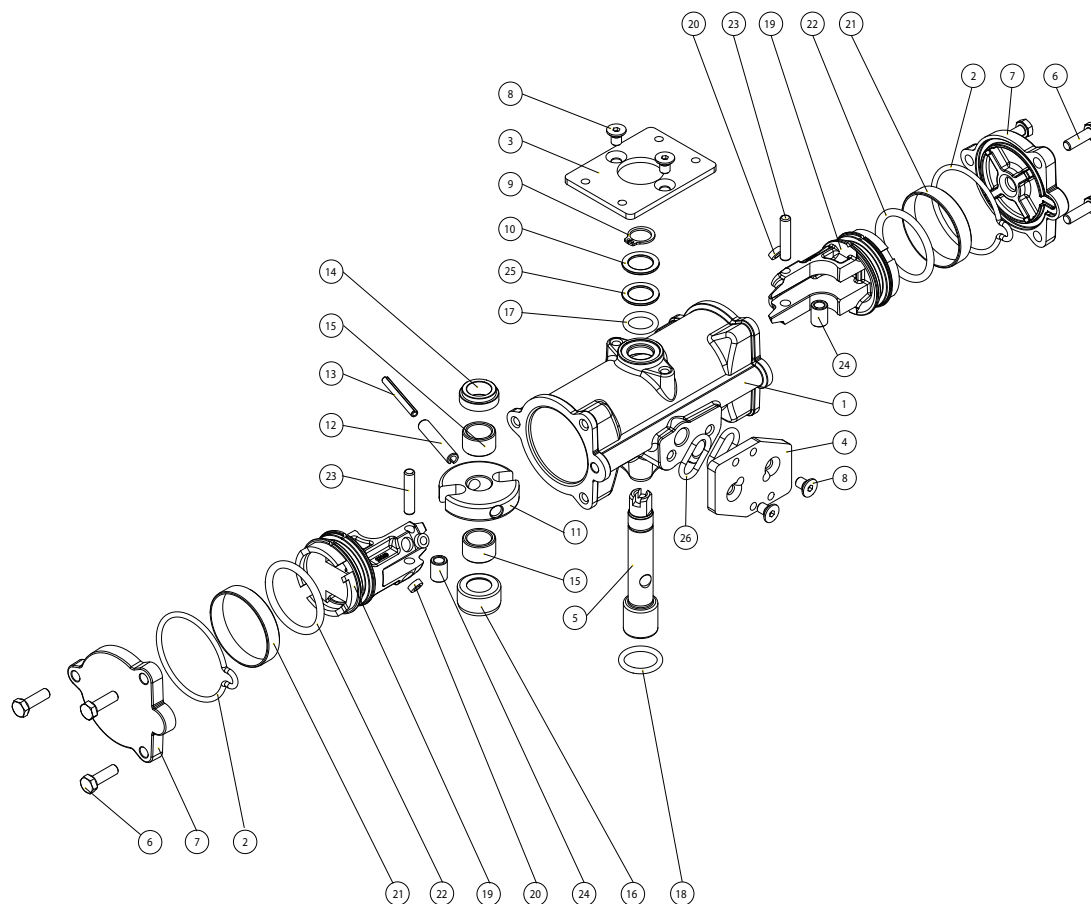
MATERIALI		MATERIALS	
Pos	Denominazione Denomination	Q.ty	Materiale Material
1	Cilindro Cylinder	1	Lega di alluminio Aluminium alloy
2	Cilindro Cylinder	1	Lega di alluminio Aluminium alloy
3	Cilindro Cylinder	1	Lega di alluminio Aluminium alloy
4	Tappo (Standard) Cap (Standard)	1	Lega di alluminio Aluminium alloy
5	Supporto interno molle Internal spring support	1	Lega di alluminio Aluminium alloy
6	Supporto esterno molle External spring support	1	Lega di alluminio Aluminium alloy
7	Vite di precarica molle Spring loading screw	1	Acciaio inox Stainless Steel
8*	O'ring	1	Gomma nitrilica Nitrilic rubber
9	Dado A Calotta Cap Nut	1	Acciaio inox Stainless Steel
10	O'ring	1	Gomma nitrilica Nitrilic rubber
11	O'ring	1	Gomma nitrilica Nitrilic rubber
12	Dado Nut	1	Acciaio inox Stainless Steel
13	Molla esterna External spring	2	Lega di acciaio Steel alloy
14	Molla interna Internal spring	2	Lega di acciaio Steel alloy
15	Pistone (Standard) Piston (Standard)	1	Lega di alluminio Aluminium alloy
16	Bussola Bush	2	Lega di acciaio Steel alloy
17*	Dischetto di supporto Piston's support	4	Resina Acetalica Acetalic resin
18	Spina Pin	2	Lega di acciaio Steel alloy
19	Perno Rotative sleeve	2	Lega di acciaio Steel alloy
20	Forcella Scotch yoke	1	Lega di acciaio Steel alloy
21	Albero Shaft	1	Acciaio inox Stainless Steel
22	Bussola di scorrimento Support bush	1	Resina Acetalica Acetalic resin
23	Supporto albero Shaft support	1	Resina Acetalica Acetalic resin
24*	O'ring tappo Cap o'ring	1	Gomma nitrilica Nitrilic rubber
25*	Boccola (albero inferiore) Bearing (shaft bottom)	1	P.T.F.E. carbo-graphite filled
26*	Boccola (albero superiore) Bearing (shaft top)	1	P.T.F.E. carbo-graphite filled
27*	Anello di supporto esterno External support ring	1	Resina Acetalica Acetalic resin
28	Rondella Washer	1	Acciaio inox Stainless Steel
29*	O'ring	3	Gomma nitrilica Nitrilic rubber
30	Seeger	1	Acciaio inox Stainless Steel
31	Vite Screw	6	Acciaio inox Stainless Steel
32*	O'ring albero inferiore Lower sealing shaft	1	FKM
33*	O'ring pistone Piston o'ring	2	Gomma nitrilica Nitrilic rubber
34*	O'ring albero superiore Upper sealing shaft	1	FKM
35*	O'ring	2	Gomma nitrilica Nitrilic rubber
36*	Anello di guida Bearing (piston head)	2	P.T.F.E. Carbo-Graphite filled
37	Dado Nut	12	Acciaio inox Stainless Steel

MATERIALI		MATERIALS	
Pos	Denominazione Denomination	Q.ty	Materiale Material
38	Pistone (modificato) Piston (modified)	1	Lega di alluminio Aluminium alloy
39*	Cuscinetto (Volantino) Bearings (Handwheel)	2	Poliuretano Polyurethane
40	Tappo (modificato) Cap (modified)	1	Lega di alluminio Aluminium alloy
41	Chiocciola di manovra Lead nut maneuver	1	Lega di acciaio Steel alloy
42*	Indicatore Indicator	1	Polipropilene Polypropylene
43	Volantino di manovra Handwheel for maneuver	1	Lega di acciaio Steel alloy
44	Flangia Flange	1	Lega di alluminio Aluminium alloy
45*	Cuscinetto Thrust bearings	2	Lega di acciaio Steel alloy
46	Vite Screw	8	Acciaio inox Stainless Steel
47	Vite Screw	1	Acciaio inox Stainless Steel
48	Rondella Washer	1	Acciaio inox Stainless Steel
49	Chiusura forcella Closing fork	1	Lega di alluminio Aluminium alloy
50	Supporto forcella Fork support	1	Lega di alluminio Aluminium alloy
51	Lucchetto Lock wheel	1	Acciaio inox Stainless Steel
52	Tappo di protezione Protecting cap	1	Lega di alluminio Aluminium alloy
53	Vite Screw	3	Acciaio inox Stainless Steel
54*	Rivetto Rivet	1	Acciaio inox Stainless Steel
55	Chiave Key	1	Acciaio inox Stainless Steel
56	Vite Screw	6	Lega di acciaio Steel alloy
57*	O'ring	1	Gomma nitrilica Nitrilic rubber
58*	O'ring	1	Gomma nitrilica Nitrilic rubber
59*	O'ring	1	Gomma nitrilica Nitrilic rubber
60	Vite Screw	2	Acciaio inox Stainless Steel
61*	Guarnizione Bounded	2	Lega di acciaio+Gomma nitrilica Steel alloy+Nitrilic rubber
62*	O'ring	1	Gomma nitrilica Nitrilic rubber
63*	O'ring	1	Gomma nitrilica Nitrilic rubber
64*	Tappo Plug	2	P.T.F.E.
65	Dado Nut	1	Acciaio inox Stainless Steel
66	Vite di manovra Screw maneuver	1	Acciaio inox Stainless Steel
67	Tubo di protezione removibile Protecting removable tube	1	Lega di alluminio Aluminium alloy
68	Spina Pin	1	Acciaio inox Stainless Steel
69	Contentitore molla speciale Special spring cap	1	Lega di acciaio Steel alloy
70*	O'ring	1	Gomma nitrilica Nitrilic rubber
71*	O'ring	1	Gomma nitrilica Nitrilic rubber
72	Vite Screw	1	Acciaio inox Stainless Steel
73	Vite di sicurezza Safety screw	1	Acciaio inox Stainless Steel
74	Tubo di protezione Protecting tube	1	Lega di alluminio Aluminium alloy

* Particolari del kit di ricambio Components of spare part kit



COMPONENTI AGO CF8M "DA" INOX CF8M MICROFUSO: DA 15 ÷ DA 30 AGO CF8M "DA" INOX CASTING CF8M COMPONENTS: DA 15 ÷ DA 30

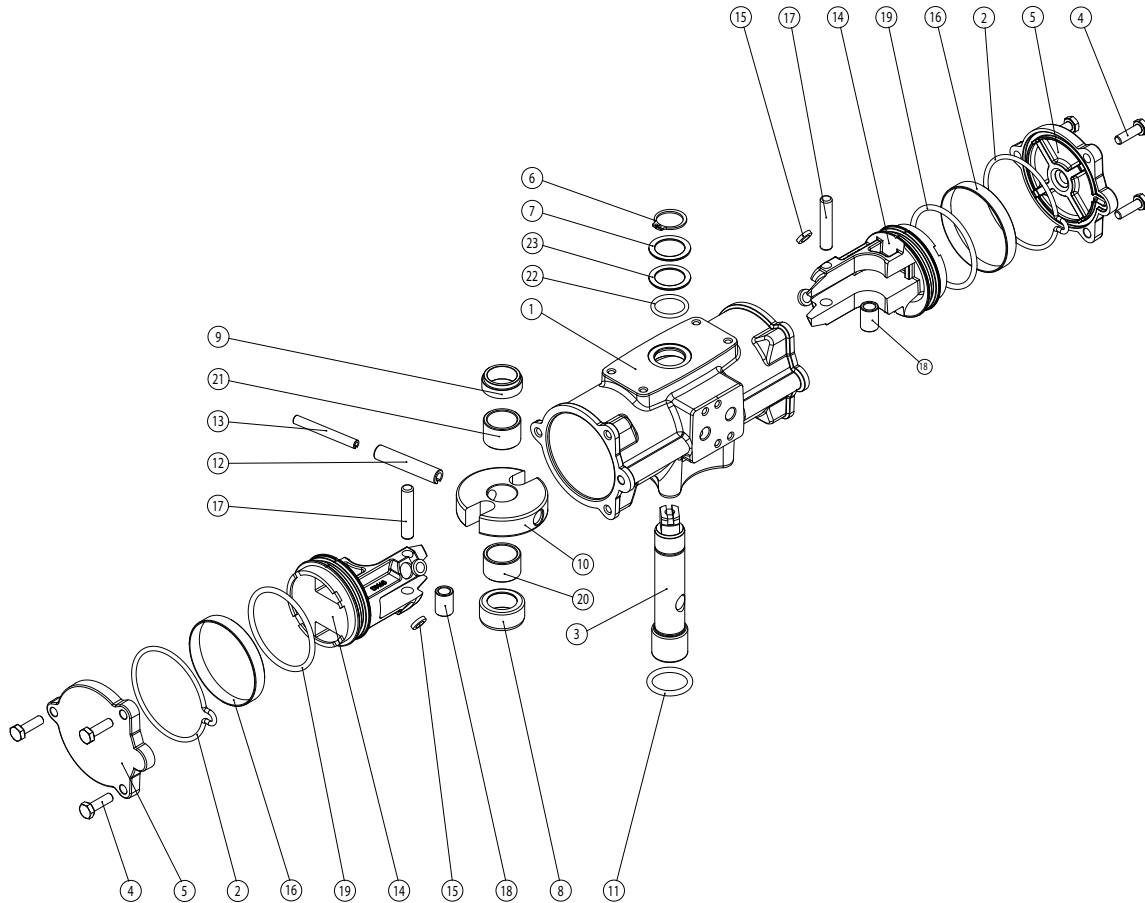


MATERIALI		MATERIALS	
Pos	Denominazione Denomination	Q.ty	Materiale Material
1	Cilindro Cylinder	1	Acciaio inox Stainless steel CF8M
2*	Tappo o-ring Cap o-ring	2	Gomma nitrilica Nitrilic rubber
3	VDI/VDE Basetta Plate	1	Acciaio inox Stainless steel
4	Basetta NAMUR NAMUR plate	1	Acciaio inox Stainless steel
5	Albero Shaft	1	Acciaio inox Stainless steel
6	Vite Screw	6	Acciaio inox Stainless steel
7	Tappo Cap	2	Acciaio inox Stainless steel
8	Vite Screw (optional)	4	Acciaio inox Stainless steel
9	Seeger	1	Acciaio inox Stainless steel
10	Rondella Washer	1	Acciaio inox Stainless steel
11	Forcella Scotch yoke	1	Lega di acciaio Steel alloy
12	Spina elastica esterna External elastic pin of the yoke	1	Lega di acciaio Steel alloy
13	Spina elastica interna Internal elastic pin of the yoke	1	Lega di acciaio Steel alloy
14	Supporto albero superiore Upper shaft support	1	Resina acetilica Acetalic resins
15	Supporto bussola Support bush	2	Resina acetilica Acetalic resins
16	Supporto albero inferiore Lower shaft support	1	Resina acetilica Acetalic resins
17	O-ring albero superiore O-ring (upper sealing shaft)	1	FKM
18	O-ring albero inferiore O-ring (low sealing shaft)	1	FKM
19	Pistone Piston	2	Lega di alluminio Aluminium alloy
20*	Supporto pistone Piston's support	4	P.T.F.E. carbo-graphite filled
21*	Anello di tenuta Dinamic seal (piston)	2	Poliuretano Polyurethane
22*	O-ring pistone Piston o-ring	2	Gomma nitrilica Nitrilic rubber
23	Perno Rotative sleeve	2	Lega di acciaio Steel alloy
24	Bussola Bush	2	Lega di acciaio Steel alloy
25	Anello di supporto esterno External support ring	1	Resina acetilica Acetalic resins
26	O-ring (optional)	2	Gomma nitrilica Nitrilic rubber

* Particolari del kit di ricambio Components of spare part kit



COMPONENTI AGO CF8M "DA" INOX CF8M MICROFUSO: DA 60 ÷ DA 480 AGO CF8M "DA" INOX CASTING CF8M COMPONENTS: DA 60 ÷ DA 480

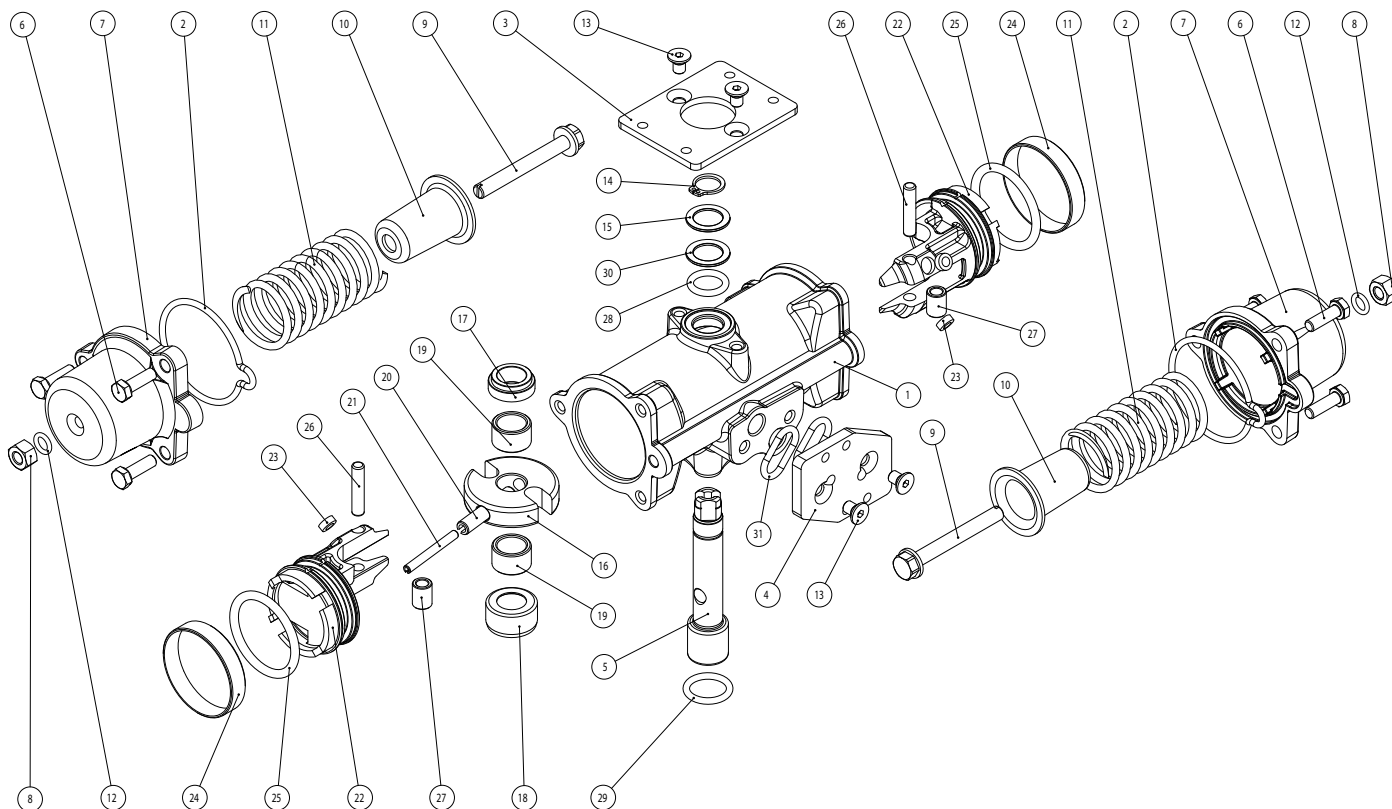


MATERIALI		MATERIALS	
Pos	Denominazione Denomination	Q.ty	Materiale Material
1	Cilindro Cylinder	1	Acciaio inox Stainless steel
2*	Tappo o-ring Cap o-ring	2	Gomma nitrilica Nitrilic rubber
3	Albero Shaft	1	Acciaio inox Stainless steel
4	Vite Screw	6	Acciaio inox Stainless steel
5	Tappo Cap	2	Acciaio inox Stainless steel
6	Seeger	1	Acciaio inox Stainless steel
7	Rondella Washer	1	Acciaio inox Stainless steel
8	Supporto albero inferiore Lower shaft support	1	Resina acetica Acetalic resins
9	Supporto albero superiore Upper shaft support	1	Resina acetica Acetalic resins
10	Forcella Scotch yoke	1	Legha di acciaio Steel alloy
11	O-ring albero inferiore O-ring (low sealing shaft)	1	FKM
12	Spina elastica esterna External elastic pin of the yoke	1	Legha di acciaio Steel alloy
13	Spina elastica interna Internal elastic pin of yoke	1	Legha di acciaio Steel alloy
14	Pistone Piston	2	Legha di alluminio Aluminium alloy
15*	Supporto pistone Piston's support	4	P.T.F.E. carbo-graphite filled
16*	Anello di tenuta Dynamic seal (piston)	2	Poliuretano Polyurethane
17	Perno Rotative sleeve	2	Legha di acciaio Steel alloy
18	Bussola Bush	2	Legha di acciaio Steel alloy
19*	O-ring pistone Piston o-ring	2	Gomma nitrilica Nitrilic rubber
20	Supporto bussola inferiore Lower support bush	1	Resina acetica Acetalic resins
21	Supporto bussola superiore Upper support bush	1	Resina acetica Acetalic resins
22	O-ring albero superiore O-ring (upper sealing shaft)	1	FKM
23	Anello di supporto esterno External support ring	1	Resina acetica Acetalic resins

* Particolari del kit di ricambio Components of spare part kit



COMPONENTI AGO CF8M "SR" INOX CF8M MICROFUSO: SR 15 AGO CF8M "SR" INOX CASTING CF8M COMPONENTS: SR 15



MATERIALI		MATERIALS	
Pos	Denominazione Denomination	Q.ty	Materiale Material
1	Cilindro Cylinder	1	Acciaio inox Stainless steel
2*	Tappo o-ring Cap o-ring	2	Gomma nitrilica Nitrilic rubber
3	VDI/VDE Basetta Plate (optional)	1	Acciaio inox Stainless steel
4	Basetta NAMUR NAMUR plate	1	Acciaio inox Stainless steel
5	Albero Shaft	1	Acciaio inox Stainless steel
6	Vite Screw	6	Acciaio inox Stainless steel
7	Tappo Cap	2	Acciaio inox Stainless steel
8	Dado Nut	2	Acciaio inox Stainless steel
9	Vite di precarica molla Spring loading screw	2	Acciaio inox Stainless steel
10	Contenitore molla Spring cap	2	Lega d'acciaio Steel alloy
11	Molla Spring	2	Lega d'acciaio Steel alloy
12*	O-ring	2	Gomma nitrilica Nitrilic rubber
13	Vite Screw	4	Acciaio inox Stainless steel
14	Seeger	1	Acciaio inox Stainless steel
15	Rondella Washer	1	Acciaio inox Stainless steel
16	Forcella Scotch yoke	1	Lega d'acciaio Steel alloy

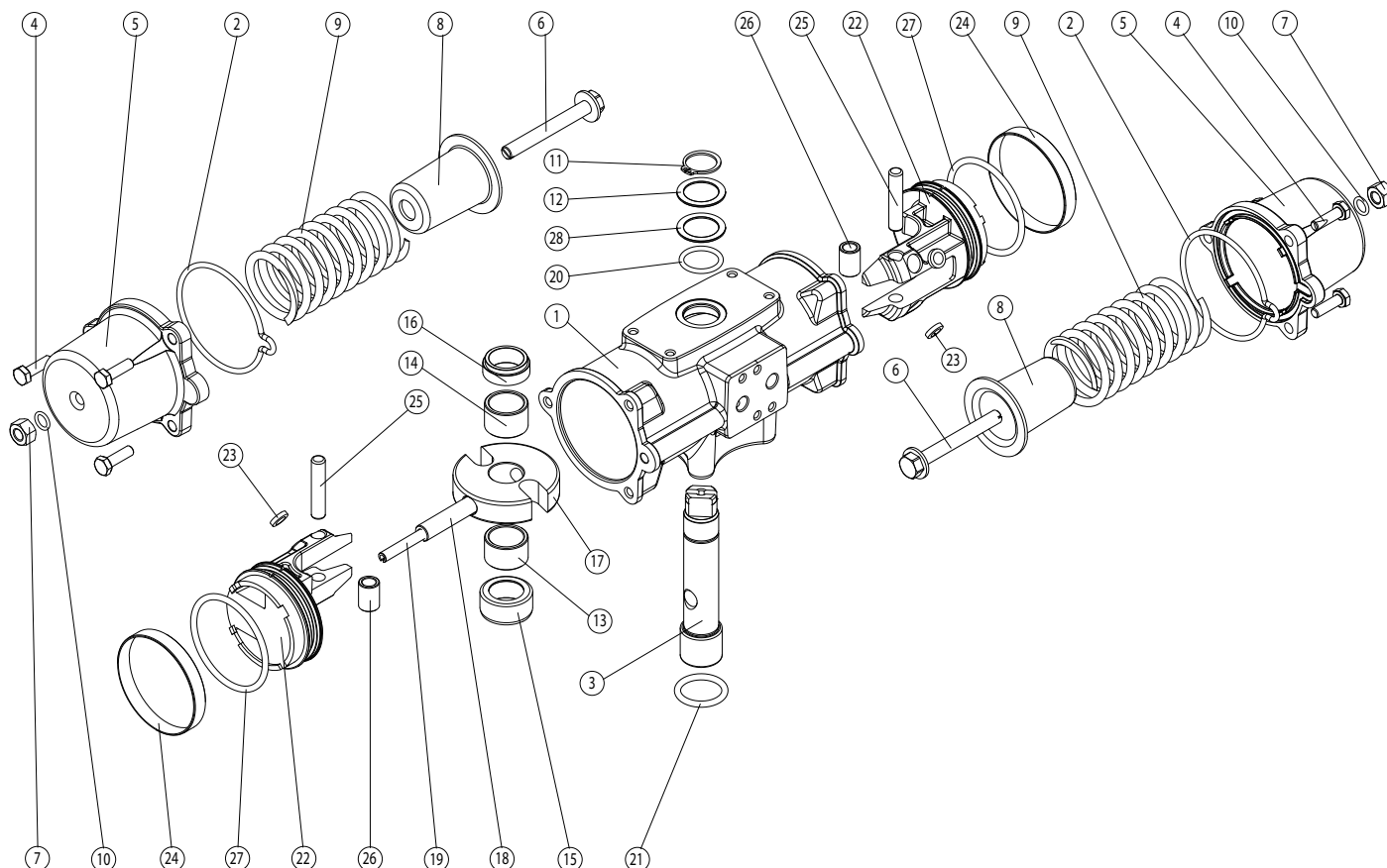
* Particolari del kit di ricambio Components of spare part kit

MATERIALI		MATERIALS	
Pos	Denominazione Denomination	Q.ty	Materiale Material
17	Supporto superiore albero Upper shaft support	1	Resina acetica Acetalic resin
18	Supporto inferiore albero Lower shaft support	1	Resina acetica Acetalic resin
19	Bussola di supporto Support bush	2	Resina acetica Acetalic resin
20	Spina elastica esterna External elastic pin of the yoke	1	Lega d'acciaio Steel alloy
21	Spina elastica interna Internal elastic pin of the yoke	1	Lega d'acciaio Steel alloy
22	Pistone Piston	2	Lega d'alluminio Aluminium alloy
23*	Dischetto di supporto Piston's support	4	P.T.F.E. carbo-graphite filled
24*	Anello di tenuta Dynamic seal	2	Poliuretano Polyurethane
25*	O-ring pistone Piston o-ring	2	Gomma nitrilica Nitrilic rubber
26	Perno Rotative sleeve	2	Lega di acciaio Steel alloy
27	Bussola Bush	2	Lega d'acciaio Steel alloy
28	O-ring	1	FKM
29	O-ring	1	FKM
30	Anello di supporto esterno External support ring	1	Resina acetica Acetalic resin
31	NAMUR o-ring	2	Gomma nitrilica Nitrilic rubber

* Particolari del kit di ricambio Components of spare part kit



COMPONENTI AGO CF8M "SR" INOX CF8M MICROFUSO: SR 30 ÷ SR 240 AGO CF8M "SR" INOX CASTING CF8M COMPONENTS: SR 30 ÷ SR 240



MATERIALI		MATERIALS	
Pos	Denominazione Denomination	Q.ty	Materiale Material
1	Cilindro Cylinder	1	Acciaio inox Stainless steel
2*	Tappo o-ring Cap o-ring	2	Gomma nitrilica Nitrilic rubber
3	Albero Shaft	1	Acciaio inox Stainless steel
4	Vite Screw	6	Acciaio inox Stainless steel
5	Tappo Cap	2	Acciaio inox Stainless steel
6	Vite di precarica molla Spring loading screw	2	Acciaio inox Stainless steel
7	Dado Nut	2	Acciaio inox Stainless steel
8	Contenitore molla Spring cap	2	Lega di acciaio Steel alloy
9	Molla Spring	2	Lega di acciaio Steel alloy
10*	O-ring	2	Gomma nitrilica Nitrilic rubber
11	Seeger	1	Lega di acciaio Steel alloy
12	Rondella Washer	1	Lega di acciaio Steel alloy
13	Supporto bussola inferiore Lower support bush	1	Resina acetaltica Acetalic resin
14	Supporto bussola superiore Upper support bush	1	Resina acetaltica Acetalic resin

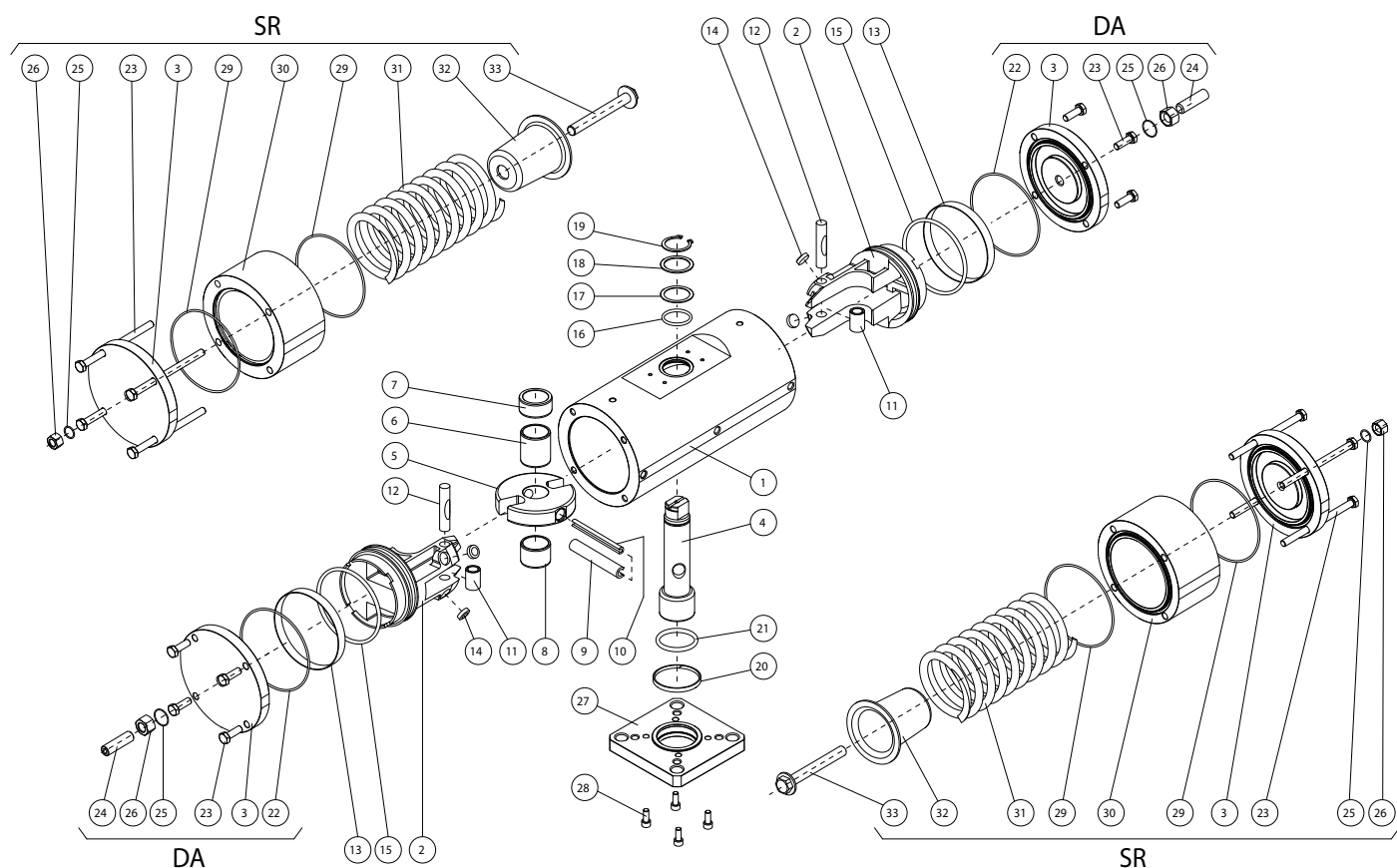
* Particolari del kit di ricambio Components of spare part kit

MATERIALI		MATERIALS	
Pos	Denominazione Denomination	Q.ty	Materiale Material
15	Supporto albero inferiore Lower shaft support	1	Resina acetaltica Acetalic resin
16	Supporto albero superiore Upper shaft support	1	Resina acetaltica Acetalic resin
17	Forcella Scotch yoke	1	Lega di acciaio Steel alloy
18	Spina elastica esterna External elastic pin of yoke	1	Lega di acciaio Steel alloy
19	Spina elastica interna Internal elastic pin of yoke	1	Lega di acciaio Steel alloy
20	O-ring albero superiore O-ring upper sealing shaft	1	FKM
21	O-ring albero inferiore O-ring low sealing shaft	1	FKM
22	Pistone Piston	2	Lega di alluminio Aluminium alloy
23*	Supporto pistone Piston's support	4	P.T.F.E. carbo-graphite filled
24*	Anello di tenuta Dynamic seal	2	Poliuretano Polyurethane
25	Perno Rotative sleeve	2	Lega di acciaio Steel alloy
26	Bussola Bush	2	Lega di acciaio Steel alloy
27*	O-ring pistone Piston o-ring	2	Gomma nitrilica Nitrilic rubber
28	Anello di supporto esterno External support o-ring	1	Resina acetaltica Acetalic resin

* Particolari del kit di ricambio Components of spare part kit



COMPONENTI AGO 316 "DA" E "SR" 316 DA BARRA AGO 316 "DA" AND "SR" FROM BAR COMPONENTS



MATERIALI		MATERIALS	
Pos	Denominazione Denomination	Q.ty	Materiale Material
1	Cilindro Cylinder	1	Acciaio inox Stainless steel
2	Pistone Piston	2	Lega di alluminio Aluminium alloy
3	Tappo Cap	2	Acciaio inox Stainless steel
4	Albero Shaft	1	Acciaio inox Stainless steel
5	Forcella Scotch yoke	1	Lega di acciaio Steel alloy
6	Bussola scorrim/supporto Bearing shaft	1	Resina acetica Acetalic resin
7	Anello di supporto superiore Upper shaft support	1	Resina acetica Acetalic resin
8	Bussola di scorrimento Bearing shaft	1	Resina acetica Acetalic resin
9	Spina elastica est. Ext.elastic pin	1	Lega di acciaio Steel alloy
10	Spina elastica int. Int.elastic pin	1	Lega di acciaio Steel alloy
11	Bussola acciaio Steel bush	2	Lega di acciaio Steel alloy
12	Perno Rotative sleeve	2	Lega di acciaio Steel alloy
13*	Anello di tenuta Dynamic seal	2	Poliuretano Polyurethane
14*	Dischetto supporto Support disk	4	P.T.F.E. carbo-graphite filled
15*	O-ring del pistone O-ring	2	Gomma nitrilica Nitrilic rubber
16	O-ring albero sup. O-ring	1	FKM
17	Anello supporto est Thrust bearing	1	Resina acetica Acetalic resin

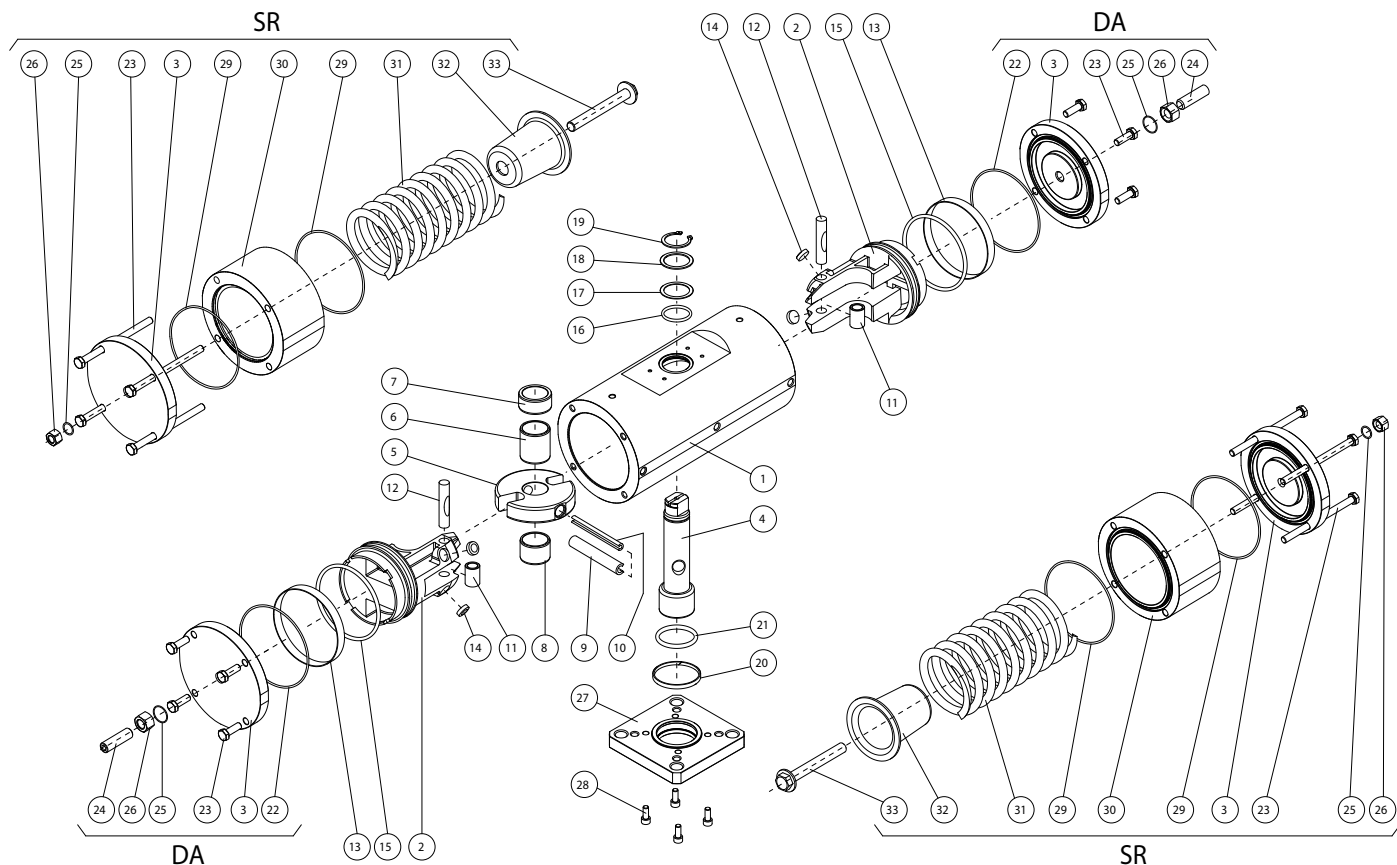
* Particolari del kit di ricambio Components of spare part kit

MATERIALI		MATERIALS	
Pos	Denominazione Denomination	Q.ty	Materiale Material
18	Rondella spessoramento Washer	1	Acciaio inox Stainless steel
19	Seeger	1	Acciaio inox Stainless steel
20	Fascetta di supporto inferiore Lower shaft support	1	P.T.F.E. carbo-graphite filled
21	O-ring albero inferiore O-ring	1	FKM
22*	O-ring tappo GD O-ring	2	Gomma nitrilica Nitrilic rubber
23	Viti Screws	8	Acciaio inox Stainless steel
24	Grano di regolazione Grub screws	2	Acciaio inox Stainless steel
25	O-ring regolazione O-ring	2	Gomma nitrilica Nitrilic rubber
26	Controdamo Adjusting nut	2	Acciaio inox Stainless steel
27	Flangia di fissaggio Fixing flange	1	Acciaio inox Stainless steel
28	Viti Screws	4	Acciaio inox Stainless steel
29*	O-ring tappo GS O-ring	4	Gomma nitrilica Nitrilic rubber
30	Cilindro distanziale Cylinder spacer	2	Acciaio inox Stainless steel
31	Molla Spring	2	Lega di acciaio Steel alloy
32	Contentore molla Spring cap	2	Lega di alluminio Aluminium alloy
33	Viti di precarica molla Spring loading screw	2	Acciaio inox Stainless steel

* Particolari del kit di ricambio Components of spare part kit



COMPONENTI AGO A105 "DA" E "SR" A105 DA BARRA AGO A105 "DA" AND "SR" FROM BAR COMPONENTS



MATERIALI		MATERIALS	
Pos	Denominazione Denomination	Q.ty	Materiale Material
1	Cilindro Cylinder	1	Acciaio Steel alloy
2	Pistone Piston	2	Lega di alluminio Aluminium alloy
3	Tappo Cap	2	Acciaio Steel alloy
4	Albero Shaft	1	Acciaio inox Stainless steel
5	Forcella Scotch yoke	1	Lega di acciaio Steel alloy
6	Bussola scorrim/supporto Bearing shaft	1	Resina acetaleica Acetalic resin
7	Anello di supporto superiore Upper shaft support	1	Resina acetaleica Acetalic resin
8	Bussola di scorrimento Bearing shaft	1	Resina acetaleica Acetalic resin
9	Spina elastica est. Ext.elastic pin	1	Lega di acciaio Steel alloy
10	Spina elastica int. Int.elastic pin	1	Lega di acciaio Steel alloy
11	Bussola acciaio Steel bush	2	Lega di acciaio Steel alloy
12	Perno Rotative sleeve	2	Lega di acciaio Steel alloy
13*	Anello di tenuta Dynamic seal	2	Poliuretano Polyurethane
14*	Dischetto supporto Support disk	4	P.T.F.E. carbo-graphite filled
15*	O-ring del pistone O-ring	2	Gomma nitrilica Nitrilic rubber
16	O-ring albero sup. O-ring	1	FKM
17	Anello supporto est Thrust bearing	1	Resina acetaleica Acetalic resin

* Particolari del kit di ricambio Components of spare part kit

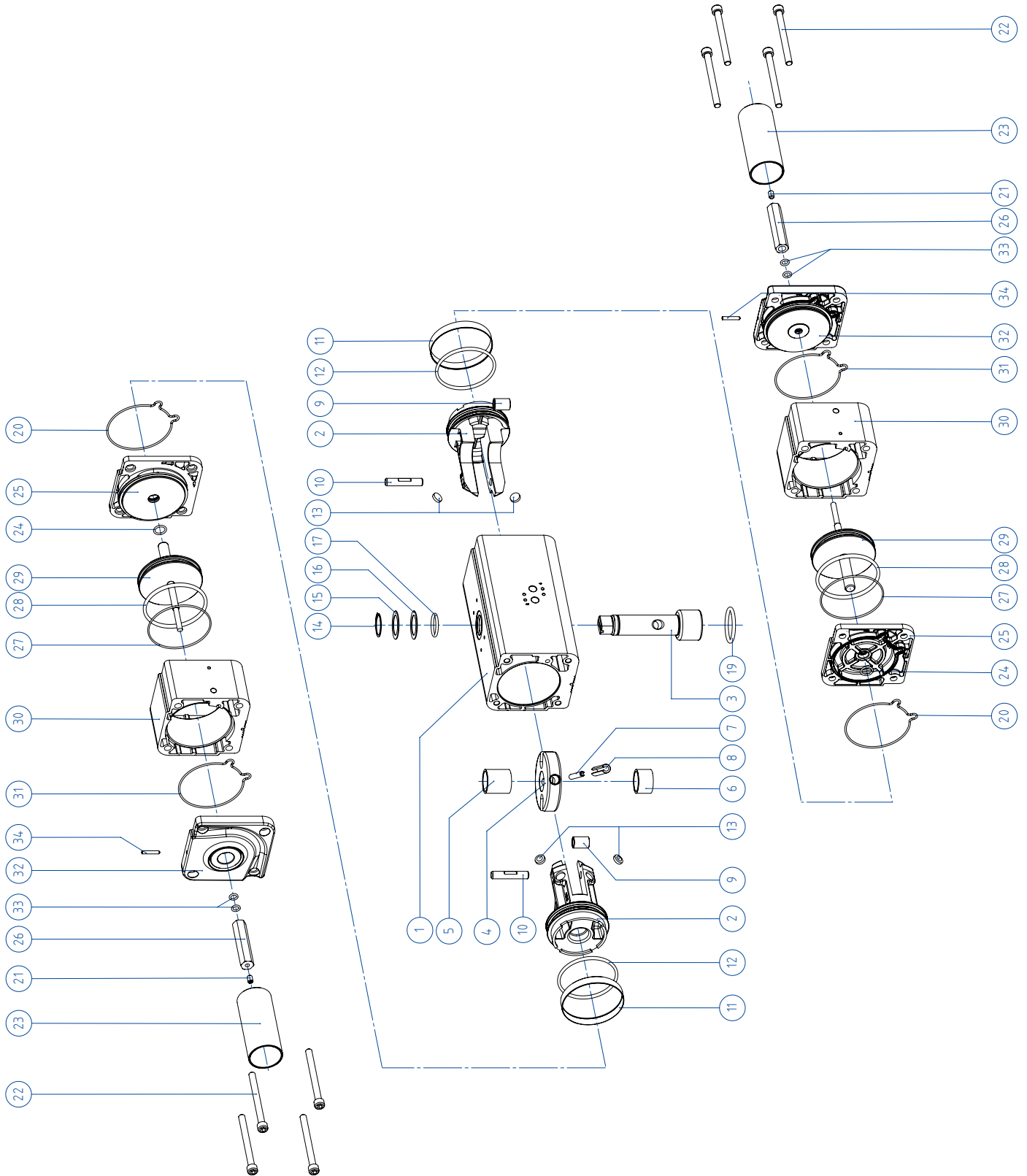
MATERIALI		MATERIALS	
Pos	Denominazione Denomination	Q.ty	Materiale Material
18	Rondella spessoramento Washer	1	Acciaio inox Stainless steel
19	Seeger	1	Acciaio inox Stainless steel
20	Fascetta di supporto inferiore Lower shaft support	1	P.T.F.E. carbo-graphite filled
21	O-ring albero inferiore O-ring	1	FKM
22*	O-ring tappo GD O-ring	2	Gomma nitrilica Nitrilic rubber
23	Viti Screws	8	Acciaio inox Stainless steel
24	Grano di regolazione Grub screws	2	Acciaio inox Stainless steel
25	O-ring regolazione O-ring	2	Gomma nitrilica Nitrilic rubber
26	Controdado Adjusting nut	2	Acciaio inox Stainless steel
27	Flangia di fissaggio Fixing flange	1	Acciaio Steel alloy
28	Viti Screws	4	Acciaio inox Stainless steel
29*	O-ring tappo GS O-ring	4	Gomma nitrilica Nitrilic rubber
30	Cilindro distanziale Cylinder spacer	2	Acciaio Steel alloy
31	Molla Spring	2	Lega di acciaio Steel alloy
32	Contenitore molla Spring cap	2	Lega di alluminio Aluminium alloy
33	Viti di precarica molla Spring loading screw	2	Acciaio inox Stainless steel

* Particolari del kit di ricambio Components of spare part kit



COMPONENTI AGO TWO STAGE DOSATORE: DDN 30 ÷ DDN 480

AGO TWO STAGE COMPONENTS: DDN 30 ÷ DDN 480





MATERIALI MATERIALS			
Pos	Denominazione Denomination	Qty	Materiale Material
1	Cilindro Cylinder	1	Lega di alluminio Aluminium alloy
2	Pistone Piston	2	Lega di alluminio Aluminium alloy
3	Albero Shaft	1	Acciaio inox Stainless steel
4	Forcella Scotch yoke	1	Lega di acciaio Steel alloy
5	Bussola scorrimento supporto Bush	1	Resina acetica Acetalic resin
6	Bussola di scorrimento Bush	1	Resina acetica Acetalic resin
7	Spina elastica interna Int.elastic pin	1	Lega di acciaio Steel alloy
8	Spina elastica esterna Ext.elastic pin	1	Lega di acciaio Steel alloy
9	Bussola acciaio Bush	2	Lega di acciaio Steel alloy
10	Perno Sleeve	2	Lega di acciaio Steel alloy
11	Anello di tenuta Dynamic seal	2	Poliuretano Polyurethan
12	O-ring del pistone O-ring	2	Gomma nitrilica NBR
13	Dischetto di supporto Support disks	4	P.T.F.E. carbo-graphite filled
14	Seeger	1	Acciaio inox Stainless steel
15	Rondella di spessoramento Washer	1	Acciaio inox Stainless steel
16	Anello supporto esterno Ext.support ring	1	Resina acetica Acetalic resin
17	O-ring albero superiore O-ring	1	FKM

MATERIALI MATERIALS			
Pos	Denominazione Denomination	Qty	Materiale Material
18	Anello di centraggio Centering ring (OPTIONAL)	1	Lega di alluminio Aluminium alloy
19	O-ring inferiore albero O-ring	1	FKM
20	O-ring tenuta tappo O-ring	2	Gomma nitrilica Nitrilic rubber
21	Grano bloccaggio regolazione Grab screw	2	Acciaio inox Stainless steel
22	Viti screws	8	Acciaio inox Stainless steel
23	Protezione protection	2	Lega di alluminio Aluminium alloy
24	O-ring int.tappo intermedio Support bush	2	FKM
25	Tappo intermedio Intermediate cap	2	Lega di alluminio Aluminium alloy
26	Controdado di regolazione Adjusting nut	2	Lega di alluminio Aluminium alloy
27	O-ring est.tappo intermedio O-ring	2	Gomma nitrilica Nitrilic rubber
28	O-ring pistone ausiliario O-ring	2	Gomma nitrilica Nitrilic rubber
29	Pistone ausiliario Auxiliary piston	2	Lega di alluminio Aluminium alloy
30	Cilindro ausiliario Auxiliary cylinder	2	Lega di alluminio Aluminium alloy
31	O-ring tappo finale O-ring	2	Gomma nitrilica Nitrilic rubber
32	Tappo finale Terminal cap	2	Lega di alluminio Aluminium alloy
33	O-ring interne tappo finale O-ring	4	FKM
34	Grano bloccaggio protezione Grab screw	2	Acciaio inox Stainless steel



AGO - Versioni speciali a richiesta - doppio effetto "DA" AGO - Special version on request - double acting "DA"

I codici indicati fanno riferimento agli attuatori in alluminio. *The codes indicated refer to the aluminium actuator.*

ATTUATORI DOPPIO EFFETTO CON VERNICIATURA EPOSSIDICA DOUBLE ACTING ACTAUATOR WITH EPOXY PAINTING										
DA8 F03	DAN15 F03	DAN15 F04	DAN30 F03-F05	DAN30 F04	DAN45 F04	DAN45 F03-F05	DAN60 F04	DAN60 F05-F07	DAN106 F05-F07	DAN120 F05-F07
DA008V01S	DAN0015V11S	DAN0015V12S	DAN0030V11S	DAN0030V12S	DAN0045V11S	DAN0045V12S	DAN0060V11S	DAN0060V12S	DAN0106V11S	DAN0120V11S
DAN180 F07-F10	DAN240 F07-F10	DAN360 F07-F10	DAN480 F10-F12	DAN720 F10-F12	DAN960 F10-F12	DAN960 F14	DAN1440 F12	DAN1440 F14	DAN1920 F12-F16	DAN1920 F14
DAN0180V11S	DAN0240V11S	DAN0360V11S	DAN0480V11S	DAN0720V11S	DAN0960V11S	DAN0960V12S	DAN1440V12S	DAN1440V11S	DAN1920V12S	DAN1920V11S

ATTUATORI DOPPIO EFFETTO ALTA TEMPERATURA (-20°C / +150°C) HIGH TEMPERATURE DOUBLE ACTING ACTUATOR (-20°C / +150°C)										
	DAN15 F03	DAN15 F04	DAN30 F03-F05	DAN30 F04	DAN45 F04	DAN45 F03-F05	DAN60 F04	DAN60 F05-F07	DAN106 F05-F07	DAN120 F05-F07
	DAN0015451S	DAN0015452S	DAN0030451S	DAN0030452S	DAN0045451S	DAN0045452S	DAN0060451S	DAN0060452S	DAN0106451S	DAN0120451S
DAN180 F07-F10	DAN240 F07-F10	DAN360 F07-F10	DAN480 F10-F12	DAN720 F10-F12	DAN960 F10-F12	DAN960 F14	DAN1440 F12	DAN1440 F14	DAN1920 F12-F16	DAN1920 F14
DAN0180451S	DAN0240451S	DAN0360451S	DAN0480451S	DAN0720451S	DAN0960451S	DAN0960452S	DAN1440452S	DAN1440451S	DAN1920452S	DAN1920451S

ATTUATORI DOPPIO EFFETTO BASSA TEMPERATURA (-50°C / +60°C) LOW TEMPERATURE DOUBLE ACTING ACTUATOR (-50°C / +60°C)										
	DAN15 F03	DAN15 F04	DAN30 F03-F05	DAN30 F04	DAN45 F04	DAN45 F03-F05	DAN60 F04	DAN60 F05-F07	DAN106 F05-F07	DAN120 F05-F07
	DAN0015551S	DAN0015552S	DAN0030551S	DAN0030552S	DAN0045551S	DAN0045552S	DAN0060551S	DAN0060552S	DAN0106551S	DAN0120551S
DAN180 F07-F10	DAN240 F07-F10	DAN360 F07-F10	DAN480 F10-F12	DAN720 F10-F12	DAN960 F10-F12	DAN960 F14	DAN1440 F12	DAN1440 F14	DAN1920 F12-F16	DAN1920 F14
DAN0180551S	DAN0240551S	DAN0360551S	DAN0480551S	DAN0720551S	DAN0960551S	DAN0960552S	DAN1440552S	DAN1440551S	DAN1920552S	DAN1920551S

A richiesta esecuzioni per taglie superiori *On request executions for larger sizes*



AGO - Versioni speciali a richiesta - semplice effetto "SR" AGO - Special version on request - spring return "SR"

I codici indicati fanno riferimento agli attuatori in alluminio. *The codes indicated refer to the aluminium actuator.*

ATTUATORI SEMPLICE EFFETTO CON VERNICIATURA EPOSSIDICA						SPRING RETURN ACTUATOR WITH EPOXY PAINTING				
SRN15 F03-F05	SRN15 F04	SRN30 F04	SRN30 F05-F07	SRN53 F05-F07	SRN60 F05-F07	SRN90 F07-F10	SRN120 F07-F10	SRN180 F07-F10	SRN240 F10-F12	SRN360 F10-F12
SRN0015V01S	SRN0015V02S	SRN0030V01S	SRN0030V02S	SRN0053V01S	SRN0060V01S	SRN0090V01S	SRN0120V01S	SRN0180V01S	SRN0240V01S	SRN0360V01S
SRN480 F10-F12	SRN480 F14	SRN720 F12	SRN720 F14	SRN960 F12-F16	SRN960 F14					
SRN0480V01S	SRN0480V02S	SRN0720V02S	SRN0720V01S	SRN0960V02S	SRN0960V01S					

ATTUATORI SEMPLICE EFFETTO ALTA TEMPERATURA (-20°C / +150°C)						HIGH TEMPERATURE SPRING RETURN ACTUATOR (-20°C / +150°C)				
SRN15 F03-F05	SRN15 F04	SRN30 F04	SRN30 F05-F07	SRN53 F05-F07	SRN60 F05-F07	SRN90 F07-F10	SRN120 F07-F10	SRN180 F07-F10	SRN240 F10-F12	SRN360 F10-F12
SRN0015450S	SRN0015452S	SRN0030450S	SRN0030452S	SRN0053450S	SRN0060450S	SRN0090450S	SRN0120450S	SRN0180450S	SRN0240450S	SRN0360450S
SRN480 F10-F12	SRN480 F14	SRN720 F12	SRN720 F14	SRN960 F12-F16	SRN960 F14					
SRN0480450S	SRN0480452S	SRN0720452S	SRN0720450S	SRN0960452S	SRN0960450S					

ATTUATORI SEMPLICE EFFETTO BASSA TEMPERATURA (-50°C / +60°C)						LOW TEMPERATURE SPRING RETURN ACTUATOR (-50°C / +60°C)				
SRN15 F03-F05	SRN15 F04	SRN30 F04	SRN30 F05-F07	SRN53 F05-F07	SRN60 F05-F07	SRN90 F07-F10	SRN120 F07-F10	SRN180 F07-F10	SRN240 F10-F12	SRN360 F10-F12
SRN0015550S	SRN0015552S	SRN0030550S	SRN0030552S	SRN0053550S	SRN0060550S	SRN0090550S	SRN0120550S	SRN0180550S	SRN0240550S	SRN0360550S
SRN480 F10-F12	SRN480 F14	SRN720 F12	SRN720 F14	SRN960 F12-F16	SRN960 F14					
SRN0480550S	SRN0480552S	SRN0720552S	SRN0720550S	SRN0960552S	SRN0960550S					

ATTUATORI SEMPLICE EFFETTO 40 PSI ÷ 2,8 bar						SPRING RETURN ACTUATOR 40 PSI ÷ 2,8 bar				
SRN15 F03-F05	SRN15 F04	SRN30 F04	SRN30 F05-F07	SRN53 F05-F07	SRN60 F05-F07	SRN90 F07-F10	SRN120 F07-F10	SRN180 F07-F10	SRN240 F10-F12	SRN360 F10-F12
SRN0015441S	SRN0015442S	SRN0030441S	SRN0030442S	SRN0053441S	SRN0060441S	SRN0090441S	SRN0120441S	SRN0180441S	SRN0240441S	SRN0360441S
SRN480 F10-F12	SRN480 F14	SRN720 F12	SRN720 F14	SRN960 F12-F16	SRN960 F14					
SRN0480441S	SRN0480442S	SRN0720442S	SRN0720441S	SRN0960442S	SRN0960441S					

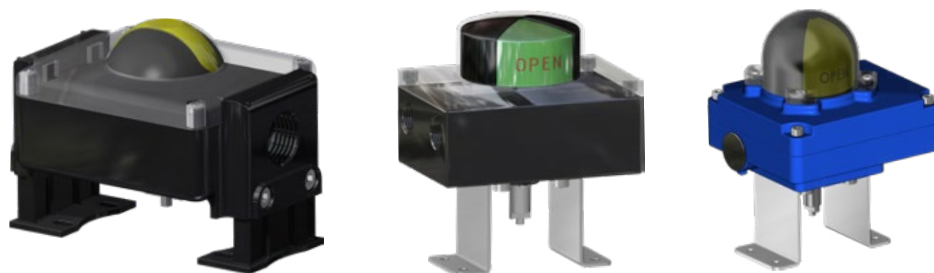
ATTUATORI SEMPLICE EFFETTO 50 PSI ÷ 3,5 bar						SPRING RETURN ACTUATOR 50 PSI ÷ 3,5 bar				
SRN15 F03-F05	SRN15 F04	SRN30 F04	SRN30 F05-F07	SRN53 F05-F07	SRN60 F05-F07	SRN90 F07-F10	SRN120 F07-F10	SRN180 F07-F10	SRN240 F10-F12	SRN360 F10-F12
SRN0015455S	SRN0015456S	SRN0030455S	SRN0030456S	SRN0053455S	SRN0060455S	SRN0090455S	SRN0120455S	SRN0180455S	SRN0240455S	SRN0360455S
SRN480 F10-F12	SRN480 F14	SRN720 F12	SRN720 F14	SRN960 F12-F16	SRN960 F14					
SRN0480455S	SRN0480456S	SRN0720456S	SRN0720455S	SRN0960456S	SRN0960455S					

ATTUATORI SEMPLICE EFFETTO 60 PSI ÷ 4,2 bar						SPRING RETURN ACTUATOR 60 PSI ÷ 4,2 bar				
SRN15 F03-F05	SRN15 F04	SRN30 F04	SRN30 F05-F07	SRN53 F05-F07	SRN60 F05-F07	SRN90 F07-F10	SRN120 F07-F10	SRN180 F07-F10	SRN240 F10-F12	SRN360 F10-F12
SRN0015461S	SRN0015462S	SRN0030461S	SRN0030462S	SRN0053461S	SRN0060461S	SRN0090461S	SRN0120461S	SRN0180461S	SRN0240461S	SRN0360461S
SRN480 F10-F12	SRN480 F14	SRN720 F12	SRN720 F14	SRN960 F12-F16	SRN960 F14					
SRN0480461S	SRN0480462S	SRN0720462S	SRN0720461S	SRN0960462S	SRN0960461S					

A richiesta esecuzioni per taglie superiori *On request executions for larger sizes*



ACCESSORI ATTUATORI PNEUMATICI AGO AGO PNEUMATIC ACTUATOR ACCESSORIES



BOX DI SEGNALAZIONE CON FINECORSA
LIMIT SWITCH BOX



OPERATORE MANUALE DI SBLOCCO
MANUAL OVERRIDE WITH HAND WHEEL



ELETTROVALVOLE
SOLENOID VALVES



ELETTROVALVOLE NAMUR
NAMUR SOLENOID VALVES



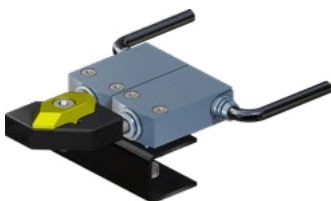
POSIZIONATORE PNEUMATICO
PNEUMATIC POSITIONER



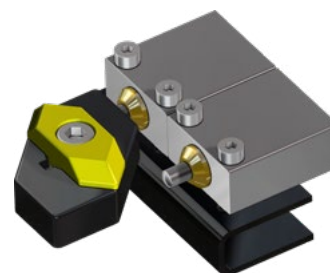
POSIZIONATORE ELETTROPNEUMATICO
(SICUREZZA INTRINSECA)
ELECTROPNEUMATIC POSITIONER
(INTRINSICALLY SAFE)



FINECORSA DI PROSSIMITA'
PROXIMITY LIMIT SWITCHES



FINECORSA ELETTROMECCANICI
ELECTROMECHANICAL LIMIT SWITCHES



FINECORSA PNEUMATICI
PNEUMATIC LIMIT SWITCHES



FINECORSA ANTIDEFLAGRANTI II2GD ExdIIC
EXPLOSION PROOF LIMIT SWITCHES II2GD ExdIIC





INERIS

Appareil non électrique destiné à être utilisé en atmosphères explosibles
Non electrical equipment intended for use in potentially explosive atmospheres
Apparecchi non elettrici destinati ad essere utilizzati in atmosfera potenzialmente esplosiva

Directive 2014/34/EU
Direttiva 2014/34/UE

ACCUSÉ DE RECEPTION D'UN DOSSIER TECHNIQUE
ACKNOWLEDGE RECEIPT OF TECHNICAL DOCUMENTATION
AVVISO DI RICEVIMENTO DEL FASCICOLO TECNICO

Appareil / Equipment / Apparecchiatura : **PNEUMATIC ACTUATORS**

Type(s) / Type(s) / Tipo(i) : **DA-DAN-DANV-SR-SRN-SRVV-DD**

Marquage / Marking / Marcatura :  **II 2G Ex h IIB/IC T6...T3 GbX
II 2D Ex h IIC T85°C...T175°C Db X**

Dépositaire / Applicant / Richiedente : **OMAL S.p.A.**
Via Ponte Nuovo 11
I- 25050 Rodengo Saiano (BS)

L'INERIS, organisme notifié et identifié sous le numéro 0080, conformément aux articles 17 et 21 de la Directive du Conseil 2014/34/UE du 26 février 2014, accuse réception du dossier conformément à la procédure décrite au chapitre 3, article 13 1) b) de la Directive.

L'INERIS, notified body and identified under number 0080, in accordance with articles 17 and 21 of Council Directive 2014/34/EU of the 26 February 2014, confirms the acknowledgement receipt of file according to the procedure described in chapter 3, article 13 1) b) of the Directive.

L'INERIS, organismo notificato e identificato con il n.0080, conformemente agli articoli 17 e 21 della Direttiva 2014/34/UE del Consiglio dell'Unione Europea del 26 febbraio 2014, conferma il ricevimento del fascicolo in conformità alla procedura prevista nella rubrica 3, articolo 13 1) b) della Direttiva.

La documentation technique référencée : AP-18 dated 02/09/2019	The technical documentation referenced : AP-18 dated 02/09/2019	La documentazione tecnica di riferimento : AP-18 dated 02/09/2019
est consignée sous le numéro d'enregistrement : n° INERIS-EQEN 034995/19.	is consigned under the reference : no INERIS-EQEN 034995/19.	è depositata con il numero di registrazione : n° INERIS-EQEN 034995/19.
Dans le cadre de cet enregistrement, l'INERIS n'a pas examiné le contenu de la documentation technique.	Within the scope of the recording, INERIS did not examine the content of the technical documentation.	Nel quadro di questa registrazione, INERIS non ha esaminato il contenuto della documentazione tecnica.
Date de fin de validité : 2029.10.01	Validity completion date : 2029.10.01	Data di fine di validità : 2029.10.01

Verneuil-en-Halatte, le 2019.10.01


 Le Directeur Général de l'INERIS,
Par délégation,


 The Chief Executive Officer of INERIS,
By delegation,


 Il Direttore generale dell' INERIS,
Per Delega,

Ce document ne peut être reproduit que dans son intégralité / Only the entire document may be reprinted / Questo documento può essere riprodotto solo integralmente

Parc Technologique Alata BP 2 F-60550 Verneuil-en-Halatte
 tel +33(0)3 44 55 66 77 fax +33(0)3 44 55 66 99 internet www.ineris.fr
 Institut national de l'Environnement Industriel et des risques
 Establishment public à caractère industriel et commercial - RCS Compiègne B 381 984 824 - Siret 381 984 821 00019 - APE 7120B - TVA Intracomm FR 73 381 984 821



CERTIFICATE

This certifies, that the company

Omial S.p.A.
Via Ponte Nuovo 11
25050 Rodengo Saiano (BS)
Italy

Is authorized to provide the product mentioned below

Description of product: **Pneumatic scotch-yoke spring return and double acting actuator series SR, SRN, DA, DAN**

In accordance with: **EN 61508:2010 Parts 1, 2, 4, 5, 6, 7**

Registration No 20 20293 01
Test Report No PS-23789-23-M-04
File reference 23789-04



TÜV NORD Italia S.r.l. (TÜV NORD Group)
Via Turati, 70 20023 Cerro Maggiore (MI) www.tuev-nord.it



Validity from 2023-07-03
until 2028-07-03

Cerro Maggiore, 2023-07-03
prodotto@tuev-nord.it

Please also pay attention to the information stated overleaf TNI-QF/IND-SIL-01-14-Rev00_01_03_2020-Certificate_Type A

▲ ATEX (Pneumatic actuator ATEX compliance)

OMAL progetta e produce i propri prodotti in conformità alla direttiva ATEX, la quale regola l'impiego di apparecchiature in ambienti con atmosfere esplosive.

OMAL designs and manufactures our products in accordance with the ATEX directive, which regulates the use of equipment in explosive atmospheres.

▲ SIL (Pneumatic actuator certificate)

Certificazione di conformità alla norma IEC 61508, del livello di sicurezza funzionale del prodotto destinato ad essere integrato in sistemi con un livello di integrità funzionale fino a SIL 3.

Certification in compliance with the IEC 61508 functional safety level requirements, meant for products intended to be integrated in safety integrity level systems up to SIL 3.







5.

ATTUATORI ELETTRICI

ELECTRIC ACTUATORS



ATTUATORI ELETTRICI · INDICE

Pag:

5 · Attuatori elettrici



5.1 · Attuatore elettrico tipo rotativo "AE" ON-OFF	666
Codifica e accessori	668
Schemi elettrici e collegamento	669



5.2 · Attuatore elettrico tipo rotativo "AM" MODULANTE	670
Codifica e accessori	672
Schemi elettrici e collegamento	673



5.3 · Attuatore elettrico tipo rotativo "EA" ON-OFF	674
Diagrammi di funzionamento e schemi elettrici di collegamento	677



5.4 · Attuatore Elettrico Rotativo tipo EF 25-250	680
--	------------



ELECTRIC ACTUATORS · INDEX

Pag:

5 · *Electric actuators*



5.1 · *Electric actuator "AE" ON-OFF rotary type*

666

Codes and accessories

668

Electric plan and connection

669



5.2 · *Electric actuator "AM" rotary modular type*

670

Codes and accessories

672

Electric plan and connection

673



5.3 · *Electric actuator "EA" ON-OFF rotary type*

674

Working diagrams and electric wiring

677



5.4 · *Rotary Electric Actuator type EF 25-250*

680



ATTUATORE ELETTRICO TIPO ROTATIVO "AE" ON-OFF

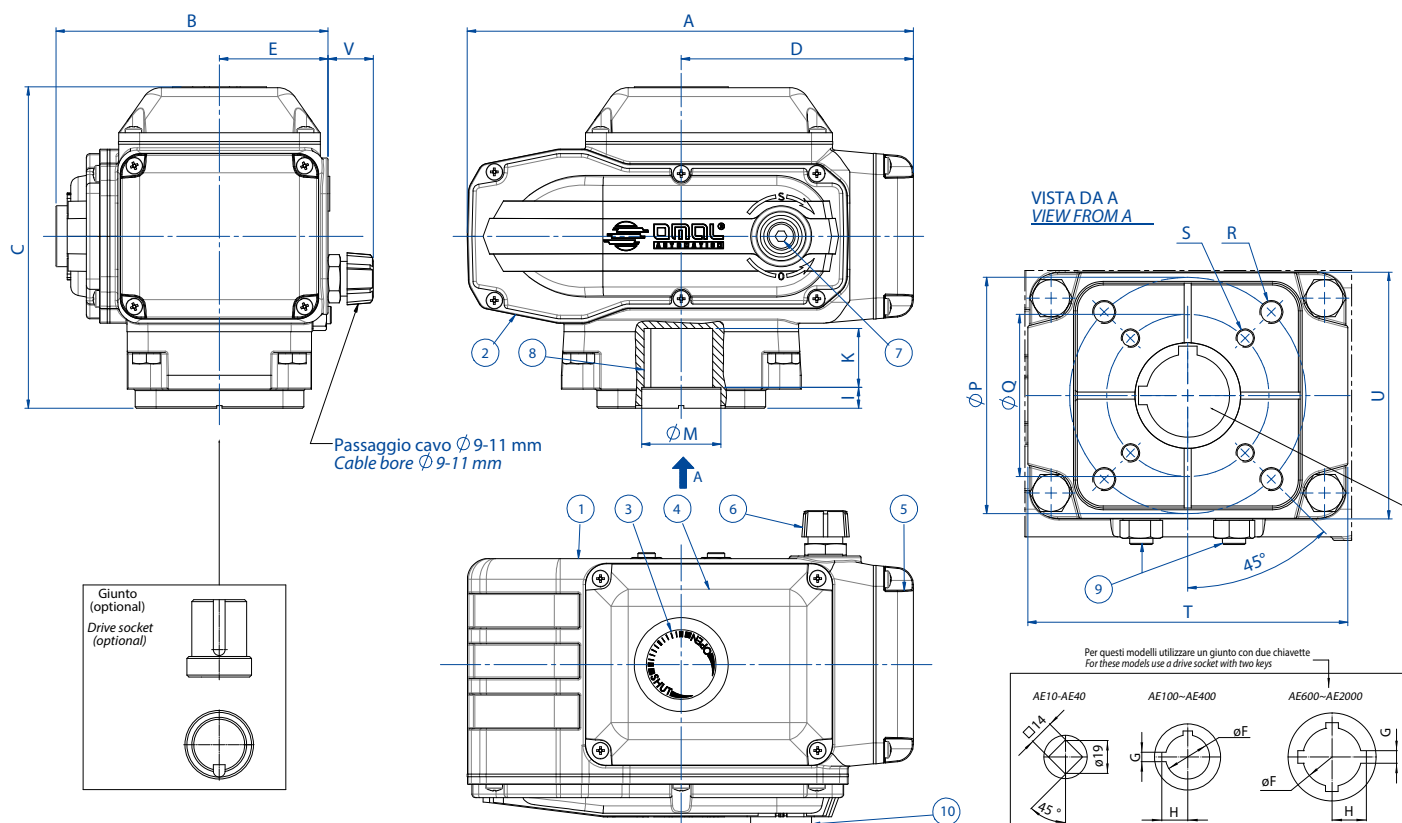
ELECTRIC ACTUATOR "AE" ON-OFF ROTARY TYPE



<p>DATI TECNICI</p> <ul style="list-style-type: none"> • Attuatore ON-OFF angolo di lavoro 90° (100° Max.). Servizio 50%. • Coppia massima da 10 a 1960 Nm. (vedi tabella). • Tensione di alimentazione 230 Vac (±10%) 50/60 Hz 1Ph. • Resistenza di isolamento 100 MΩ / 500 Vdc. • Isolamento a tensione 1500 Vac / 1 minuto. • Motore con isolamento in classe E. • Temperatura di esercizio da -25 °C a +55 °C (in caso di utilizzo con temperature minori di 0°C si consiglia di richiedere la resistenza anti-condensa). • Grado di protezione secondo norma NEMA-4X (IP66). • Attacchi per valvola normalizzati da F03 a F14 ISO 5211. • Protezione termostatica auto-reset interna al motore. • Finecorsa aperto/chiuso con camme regolabili su tutta la corsa. • Finecorsa meccanici di sicurezza regolabili. • Finecorsa ausiliari con camme regolabili su tutta la corsa. • Indicatore visivo di posizione graduato. • Leva per azionamento manuale in dotazione. • Collegamenti elettrici con morsetti a vite. • Bloccaggio cavi di alimentazione tramite pressacavi. • Rumorosità massima durante il funzionamento <70 dB (A). 	<p>TECHNICAL DATA</p> <ul style="list-style-type: none"> • Actuator ON-OFF; working angle 90° (100° Max.). Service 50%. • Maximum torque from 10 to 1960 Nm. (see the table). • Supply voltage 230 Vac (±10%) 50/60 Hz 1Ph. • Insulation resistance 100 M /500 Vdc. • Tension insulation 1500 Vac/1 minute. • Motor with Class E insulation. • Working temperature from -25°C to + 55°C (for use in temperatures below 0°C, we suggest space heater elements). • Protection according to NEMA-4X rules (IP66). • Coupling flange for the valve from F03 to F14: ISO 5211. • Auto-reset thermostatic protection in the motor. • Open/close limit switch with cams adjustable along the whole stroke. • Auxiliary limit switches with cams adjustable along the whole stroke. • Safety adjustable mechanical limit switches. • Graduated visual position indicator. • Detachable lever for manual operation. • Electric connections with screw terminals. • Locking of supply cables by means of cable presses. • Maximum working noise <70 dB (A).
<p>OPTIONAL (DA SPECIFICARE IN FASE D'ORDINE) Per la disponibilità degli optional sui vari modelli vedere la tabella optional:</p> <ul style="list-style-type: none"> • Tensioni di alimentazione 115 Vac - 24 Vac - 24 Vdc. • Limitatori di coppia. • Potenzimetro di posizione 135 / 500 / 1000 ohms. • Convertitore di posizione R/I 4÷20 mA DC. • Unità di regolazione della velocità. • Resistenza anticondensa. • Volantino a disinnesto per azionamento manuale in sostituzione della leva (solo su AE100 e AE200). • Giunto per accoppiamento attuatore/valvola. 	<p>OPTIONAL (MUST BE REQUESTED WHEN PLACING THE ORDER) For availability of options on various models, see optional table:</p> <ul style="list-style-type: none"> • Feeding voltage 115 Vac - 24 Vac - 24 Vdc. • Torque limiters. • Positional potentiometer 135 / 500 / 1K ohms. • Positional converter R/I 4÷20 mA DC. • Speed control unit 30÷240 s. • Space heater. • Emergency gear box (available on AE100 and AE200). • Drive socket.

		SCHEDA TECNICA DATA SHEET								
MODELLO - MODEL		AE 10	AE 40	AE 100	AE 200	AE 400	AE 600	AE 1000	AE 1500	AE 2000
Coppia Torque	Nm	10	39	98*	196	390*	590	980	1470	1960
Tempo di manovra Time of cycle (50 Hz)	sec.	4	15	30	30	30	30	30	45	60
Tempo di manovra Time of cycle (60 Hz)	sec.	3.3	12.5	25	25	25	25	25	38	50
Tempo di manovra Time of cycle 24Vdc	sec.	----	9.5	16	30	20	----	----	----	----
Assorbimento Power consumption 230Vac 50/60Hz A		0.25/0.30	0.25/0.30	0.30/0.35	0.50/0.55	0.7/0.9	0.9/1.0	1.3/1.4	1.6/1.7	1.6/1.7
Assorbimento Power consumption 115Vac 50/60Hz A		0.6/0.7	0.6/0.7	0.60/0.65	1.0/1.1	1.6/1.8	1.7/1.9	2.6/2.8	3.2/3.4	3.2/3.4
Assorbimento Power consumption 24Vac 50/60Hz A		1.2/1.3	1.2/1.3	1.7/1.8	2.3/2.4	7	----	----	----	----
Assorbimento Power consumption 24Vdc A		----	2	2.5	2	6.2	----	----	----	----

* Alimentazione Supply 24Vdc: AE 100 68 Nm; AE 400 290 Nm.



MATERIALI		MATERIALS	
1	Corpo - Body	Alluminio - Aluminium	
2	Coperchio del riduttore - Gear box cap	Alluminio - Aluminium	
3	Indicatore di posizione - Position indicator	Vetro - Glass	
4	Coperchio gruppo elettrico - Electric-set cap	Alluminio - Aluminium	
5	Coperchio morsettiera - Terminal-box cap	Alluminio - Aluminium	
6	Pressacavi - Cable gland	Legha di zinco - Zinc alloy (AE 10 - AE 40: Nylon)	
7	Attacco per leva - Lever connection	Acciaio - Steel	
8	Albero femmina - Female shaft	Legha di zinco - Zinc alloy (AE 1500 - AE 2000: Acciaio/Steel)	
9	Fermi di sicurezza - Security stops	Acciaio inox - Stainless steel	
10	Protezione attacco per leva - Protections for lever connection	NBR	
11	Leva - Lever (non rappresentata - not represented)	Acciaio inox - Stainless steel	

DIMENSIONI		DIMENSIONS							
MODELLO - MODEL	AE 10	AE 40	AE 100	AE 200	AE 400	AE 600	AE 1000	AE 1500	AE 2000
A mm.	158,5	158,5	207,5	256,5	256,5	381	381	381	381
B mm.	114,5	114,5	122,5	156,5	156,5	242	242	253,5	253,5
C mm.	119,5	119,5	163,5	185	185	234	234	234	234
D mm.	76	76	110	133,5	133,5	199,5	199,5	199,5	199,5
E mm.	51	51	54,5	62,5	62,5	105	105	105	105
ØF mm.	----	----	28	36	36	56	56	56	56
G mm.	----	----	6	8	8	10	10	10	10
H mm.	----	----	16,5	21,3	21,3	31,3	31,3	31,3	31,3
I mm.	1	1	11,5	12	12	8	8	8	8
K mm.	16	16	29	34	34	54	54	49	49
ØM mm.	26	26	35	40	40	65	65	65	65
ØP mm.	50 F05*	50 F05*	70 F07	102 F10	102 F10	125 F12 **	125 F12 **	140 F14	140 F14
ØQ mm.	36 F03*	36 F03*	50 F05	70 F07	70 F07	102 F10 **	102 F10 **	----	----
R x prof. depth mm.	M6x12*	M6x12*	M8x12	M10x16	M10x16	M12x20 **	M12x20 **	M16x25	M16x25
S x prof. depth mm.	M5x10*	M5x10*	M6x10	M8x8	M8x8	M10x20 **	M10x20 **	----	----
T mm.	80	80	98	135	135	160	160	160	160
U mm.	72	72	86	106	106	140	140	140	140
V mm.	26	26	26	26	26	----	----	----	----
Peso Weight Kg.	2,7	2,7	4,5	8,5	9	20,5	21,5	22,5	22,5

* A richiesta è disponibile la flangia con foratura M5x10 su Ø42 F04 - On request the flange is available with M5x10 on Ø42 F04 holes
 ** A richiesta è disponibile la flangia con foratura M16x25 su Ø100 F14 - On request the flange is available with M16x25 on Ø100 F14 holes



ATTUATORI ELETTRICI "AE" ON-OFF "AE" ON-OFF ELECTRIC ACTUATOR CODIFICA ED ACCESSORI CODES AND ACCESSORIES

ATTUATORE ELETTRICO "AE" ON-OFF ATTACCHI NORMALIZZATI F03÷F14 ELECTRICAL ACTUATOR "AE" ON-OFF TYPE F03÷F14 ATTACHMENT

Vollaggio Voltage	Taglie di attuatori e relativi codici Sizes and actuator codes												
	AE 10 F03-F05	AE 10 F04	AE 40 F03-F05	AE 40 F04	AE 100 F05-F07	AE 200 F07-F10	AE 400 F07-F10	AE 600 F10-F12	AE 600 F14	AE 1000 F10-F12	AE 1000 F14	AE 1500 F14	AE 2000 F14
230V 50/60 Hz	AE160001	AE161001	AE160004	AE161004	AE160010	AE160020	AE160040	AE160060	AE161060	AE160100	AE161100	AE160150	AE160200
115V 50/60 Hz	AE150001	AE151001	AE150004	AE151004	AE150010	AE150020	AE150040	AE150060	AE151060	AE150100	AE151100	AE150150	AE150200
24V 50/60 Hz	AE120001	AE121001	AE120004	AE121004	AE120010	AE120020	-----	-----	-----	-----	-----	-----	-----
24V dc	-----	-----	AE020004	AE021004	AE020007	AE020020	AE020030	-----	-----	-----	-----	-----	-----

ACCESSORI DISPONIBILI PER ATTUATORI ELETTRICI E RELATIVO IDENTIFICATORE EXTRA ACCESSORIES FOR ELECTRICAL ACTUATORS AND CORRESPONDANT IDENTIFICATION

ON - OFF	Rated Voltage				Finecorsa ausiliari (2pz) Limit switches (2pcs)	OPTIONAL EXTRA											
	AC			DC		Potenziometro (*) Potentiometer (*)			Limit. di coppia in chiusura Torque limiter Close		Limit. di coppia Apertura e Chiusura Torque limiter Open/Close		Resistenza anti-condensa Space heater	Convertitore R/I 4-20mA (*) R/I converter 4-20mA (*)	Controllo di velocità Speed controller	Volantino azionamento manuale Declutch type hand wheel	
	230 V	115 V	24 V	24 V		135 ohm	500 ohm	1000 ohm	AT1	AT5	AT2	AT6	ASH	ARI	ASC	AHW	
Model					AL2	AP1	AP2	AP3	AT1	AT5	AT2	AT6	ASH	ARI	ASC	AHW	
AE 10	●	●	●		STD tutti i modelli STD all models	●	●	●					●		**	●	
AE 40	●	●	●			●	●	●	●**					●	●**	●**	●
AE 40				●		●	●	●	●**					●	●**		●
AE 100	●	●	●			●	●	●	●			●		●	●	●	●
AE 100 (68 Nm)				●		●	●	●	●			●		●	●		●
AE 200	●	●	●			●	●	●	●			●		●	●	●	●
AE 200				●		●	●	●	●			●		●	●		●
AE 400	●	●				●	●	●	●			●		●	●	●	
AE 400 (294 Nm)				●		●	●	●	●			●		●	●		
AE 600	●	●				●	●	●			●		●	●	●	●	
AE 1000	●	●				●	●	●			●		●	●	●	●	
AE 1500	●	●				●	●	●			●		●	●	●	●	
AE 2000	●	●				●	●	●			●		●	●	●	●	

(*) Potenzimetro e convertitore R/I non disponibili contemporaneamente.

(*) Potentiometer and R/I converter not available at same time.

(**) Accessori da cablare esternamente all'attuatore

(**) Accessories to be wired externally to the actuator



ATTUATORI ELETTRICI "AE" ON-OFF "AE" ON-OFF ELECTRIC ACTUATOR SCHEMI ELETTRICI E COLLEGAMENTO ELECTRIC PLAN AND CONNECTION

AE Vac

Attuatore elettrico ON-OFF modello AE10-AE40
Esempio di circuito di collegamento in configurazione standard con alimentazione in tensione alternata.

Electrical actuator ON-OFF AE10-AE40 type
Example of standard connection circuit with alternative tension feeding.

AE Vdc

Attuatore elettrico ON-OFF modello AE
Esempio di circuito di collegamento in configurazione standard con alimentazione in tensione continua

Electrical actuator ON-OFF AE type
Example of standard connection circuit with direct tension feeding.



ATTUATORE ELETTRICO TIPO ROTATIVO "AM" MODULANTE

ELECTRIC ACTUATOR "AM" ROTARY MODULAR TYPE



DATI TECNICI

- Attuatore MODULANTE a controllo elettronico.
- Angolo di lavoro 90° (100° Max.).
- Coppia massima da 20 a 1960 Nm. (vedi tabella).
- Tensione di alimentazione 230 Vac ($\pm 10\%$) 50/60 Hz 1Ph.
- Segnale di comando 4~20 mA (ϕ 1~5 Vdc).
- Segnale di uscita 4~20 mA (1~5 Vdc per AM 20).
- Risoluzione 1/250 (regolabile 1/200 ~ 1/400).
- Regolazione zero/span.
- Selettore di funzione diretta/inversa.
- Selettore di modalità in mancanza di segnale OPEN - CLOSE - STOP.
- Resistenza di isolamento 100 M Ω / 500 Vdc.
- Isolamento a tensione 1500 Vac / 1 minuto.
- Motore con isolamento in classe E.
- Temperatura di esercizio da -25 °C a +55 °C (in caso di utilizzo con temperature minori di 0°C si consiglia di richiedere la resistenza anti-condensa).
- Grado di protezione secondo norma NEMA-4X (IP66).
- Attacchi per valvola normalizzati da F03 a F14 ISO 5211.
- Protezione termostatica auto-reset interna al motore.
- Finecorsa aperto/chiuso con camme regolabili su tutta la corsa.
- Finecorsa meccanici di sicurezza regolabili.
- Indicatore visivo di posizione graduato.
- Leva per azionamento manuale in dotazione.
- Collegamenti elettrici con morsetti a vite.
- Bloccaggio cavi di alimentazione tramite pressacavi.
- Rumorosità massima durante il funzionamento <70 dB(A).

TECHNICAL DATA

- Electronic control MODULATING Actuator.
- Working angle 90° (100° Max.).
- Maximum torque from 20 to 1960 Nm. (see the table).
- Voltage 230 Vac 1Ph 50/60 Hz.
- Input signal 4~20 mA (1~5 Vdc).
- Output signal 4~20 mA (1~5 Vdc AM 20).
- High resolution 1/250 (adjustable 1/200 ~ 1/400).
- Adjustable zero/span.
- Direct/reverse function selector.
- Mode selector without OPEN-CLOSE-STOP signal.
- Insulation resistance 100 M /500 Vdc.
- Tension insulation 1500 Vac/1 minute.
- Motor with Class E insulation.
- Working temperature from -25°C to + 55°C (for use in temperatures below 0°C, we suggest space heater elements).
- Protection according to NEMA-4X rules (IP66).
- Coupling flange for the valve from F03 to F14: ISO 5211.
- Auto-reset thermostatic protection in the motor.
- Open/close limit switches with cams adjustable along the whole stroke.
- Limit switches with adjustable cams.
- Safety adjustable mechanical limit switches.
- Graduated visual position indicator.
- Detachable lever for manual operation.
- Electric connections with screw terminals.
- Locking of supply cables by means of cable presses.
- Maximum working noise <70 dB(A).

OPTIONAL (DA VERIFICARE IN FASE D'ORDINE)

Per la disponibilità degli optional sui vari modelli vedere tabella optional:

- Tensioni di alimentazione 115 Vac - 24 Vac.
- Segnale di comando 4~12 mA (1~3 Vdc) - 12~20 mA (3~5 Vdc).
- Finecorsa ausiliari.
- Limitatori di coppia.
- Resistenza anticondensa.
- Giunto di accoppiamento.
- Volantino a disinnesto per azionamento manuale.

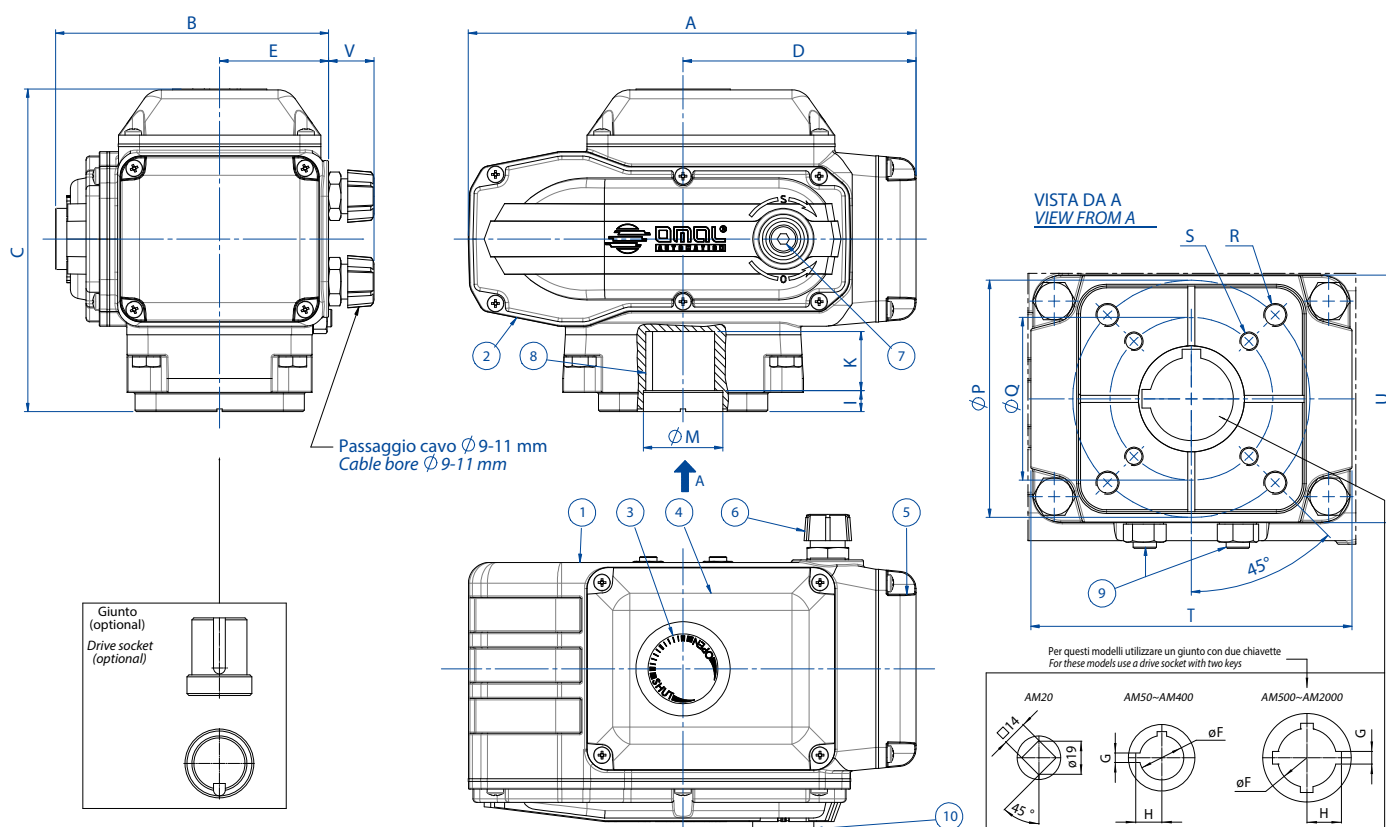
OPTIONAL (MUST BE REQUESTED WHEN PLACING THE ORDER)

For availability of options on various models, see optional table:

- Feeding voltage 115 Vac - 24 Vac.
- Input signal 4~12 mA (1~3 Vdc) - 12~20 mA (3~5 Vdc).
- Auxiliary limit switches.
- Torque limiters.
- Space heater.
- Drive socket.
- Emergency gear box.

SCHEDA TECNICA DATA SHEET

MODELLO - MODEL	AM 20	AM 50	AM 100	AM 200	AM 400	AM 500	AM 1000	AM 1500	AM 2000
Coppia <i>Torque</i> Nm	20	49	98	196	390	490	980	1470	1960
Tempo di manovra <i>Time of cycle</i> (50 Hz) sec.	15	15	30	15	30	15	30	45	60
Tempo di manovra <i>Time of cycle</i> (60 Hz) sec.	12.5	12.5	25	12.5	25	25	25	37.5	50
Assorbimento <i>Power consumption</i> 230Vac 50/60Hz A	0.14	0.3	0.3	0.7	0.7	1.1	1.3	1.6	1.6
Assorbimento <i>Power consumption</i> 115Vac 50/60Hz A	0.29	0.6	0.6	1.6	1.6	2.2	2.6	3.2	3.2
Assorbimento <i>Power consumption</i> 24Vac 50/60Hz A	----	1.8	1.8	----	----	----	----	----	----



MATERIALI MATERIALS

1	Corpo - Body	Alluminio - Aluminium
2	Coperchio del riduttore - Gear box cap	Alluminio - Aluminium
3	Indicatore di posizione - Position indicator	Vetro - Glass
4	Coperchio gruppo elettrico - Electric-set cap	Alluminio - Aluminium
5	Coperchio morsettiera - Terminal-box cap	Alluminio - Aluminium
6	Pressacavi - Cable gland	Legha di zinco - Zinc alloy
7	Attacco per leva - Lever connection	Acciaio - Steel
8	Albero femmina - Female shaft	Legha di zinco - Zinc alloy (AM 1500-AM 2000:Acciaio/Steel)
9	Fermi di sicurezza - Security stops	Acciaio inox - Stainless steel
10	Protezione attacco per leva - Protections for lever connection	NBR
11	Leva - Lever (non rappresentata - not represented)	Acciaio inox - Stainless steel

DIMENSIONI DIMENSIONS

MODELLO - MODEL	AM 20	AM 50	AM 100	AM 200	AM 400	AM 500	AM 1000	AM 1500	AM2000
A mm.	165,8	207,5	207,5	256,5	256,5	381	381	381	381
B mm.	114,5	122,5	122,5	156,5	156,5	242	242	253,5	253,5
C mm.	119,5	163,5	163,5	185	185	234	234	234	234
D mm.	83,3	110	110	133,5	133,5	199,5	199,5	199,5	199,5
E mm.	51	54,5	54,5	62,5	62,5	105	105	105	105
ØF mm.	----	28	28	36	36	56	56	56	56
G mm.	----	6	6	8	8	10	10	10	10
H mm.	----	16,5	16,5	21,3	21,3	31,3	31,3	31,3	31,3
I mm.	1	11,5	11,5	12	12	8	8	8	8
K mm.	16	29	29	34	34	54	54	49	49
ØM mm.	26	35	35	40	40	65	65	65	65
ØP mm.	50-F05	70-F07	70-F07	102-F10	102-F10	125-F12*	125-F12*	140-F14	140-F14
ØQ mm.	36-F03	50-F05	50-F05	70-F07	70-F07	102-F10*	102-F10*	----	----
R x prof. depth mm.	M6x12	M8x12	M8x12	M10x16	M10x16	M12x20*	M12x20*	M16x25	M16x25
S x prof. depth mm.	M5x10	M6x10	M6x10	M8x13	M8x13	M10x20*	M10x20*	----	----
T mm.	80	98	98	135	135	160	160	160	160
U mm.	72	86	86	106	106	140	140	140	140
V mm.	40	44	44	44	44	----	----	----	----
Peso Weight Kg.	3,1	4,5	4,5	8,7	8,7	22,8	22,8	22,8	22,8

* A richiesta é disponibile la flangia con foratura M16x25 su \varnothing 100 F14 - On request the flange is available with M16x25 on \varnothing 100 F14 holes



ATTUATORI ELETTRICI "AM" MODULANTE "AM" MODULAR ELECTRIC ACTUATOR CODIFICA ED ACCESSORI CODES AND ACCESSORIES

ATTUATORE ELETTRICO "AM" MODULANTE ATTACCHI NORMALIZZATI F05÷F14 ELECTRICAL ACTUATOR "AM" MODULATING TYPE F05÷F14 ATTACHMENT

Voltaggio Voltage	AM 20 F03-F05	AM 50 F05-F07	AM 100 F05-F07	AM 200 F07-F10	AM 400 F07-F10	AM 500 F10-F12	AM 500 F14	AM 1000 F10-F12	AM 1000 F14	AM 1500 F14	AM 2000 F14
230V 50/60 Hz	AM160002	AM160005	AM160010	AM160020	AM160040	AM160050	AM161050	AM160100	AM161100	AM160150	AM160200
115V 50/60 Hz	AM150002	AM150005	AM150010	AM150020	AM150040	AM150050	AM151050	AM150100	AM151100	AM150150	AM150200
24V 50/60 Hz	----	AM120005	AM120010	-----	-----	-----	-----	-----	-----	-----	-----

ACCESSORI DISPONIBILI PER ATTUATORI ELETTRICI E RELATIVO IDENTIFICATORE EXTRA ACCESSORIES FOR ELECTRICAL ACTUATORS AND CORRESPONDANT IDENTIFICATION

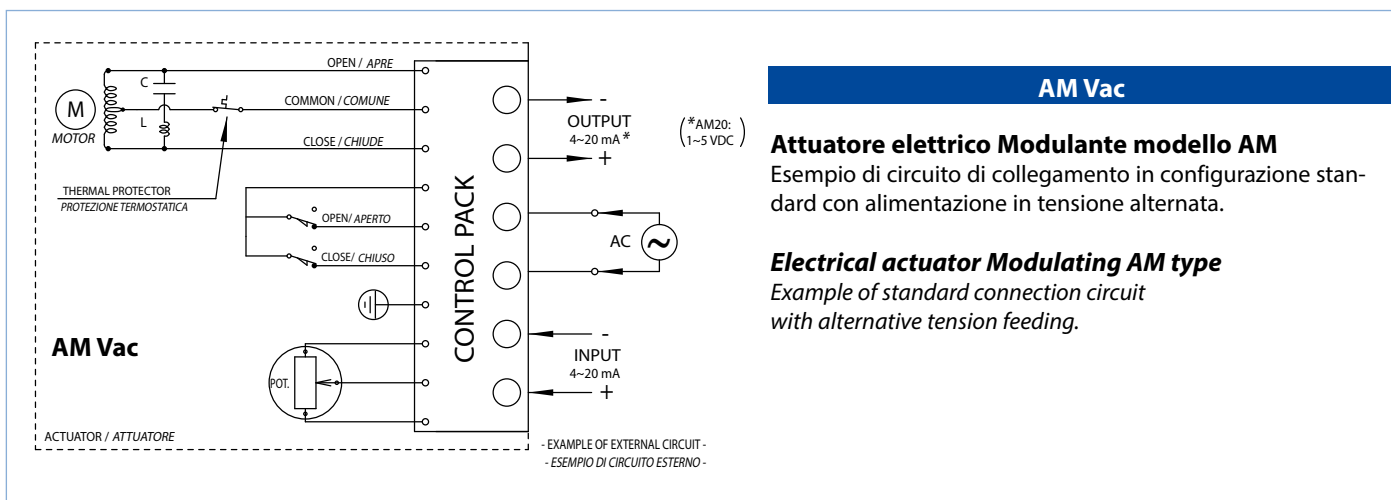
Model	Torque Nm	Rated Voltage				OPTIONAL EXTRA						
		AC			DC	Finecorsa ausiliari (2pz) Limit switches (2pcs)	Limit. di coppia in chiusura Torque limiter Close		Limit. di coppia Apertura e Chiusura Torque limiter Open/Close		Resistenza anti-condensa Space heater	Volantino azionamento manuale Declutch type hand wheel
		230 V	115 V	24 V	24 V		AT1	AT5	AT2	AT6	ASH	AHW
AM 20	19.6	●	●			●				●		
AM 50	49	●	●	●	●(+2)*	●		●		●*	●	
AM 100	98	●	●	●	●(+2)*	●		●		●*	●	
AM 200	196	●	●		●(+2)	●		●		●		
AM 400	392	●	●		●(+2)	●		●		●		
AM 500	490	●	●		●(+2)		●		●	●		
AM 1000	980	●	●		●(+2)		●		●	●		
AM 1500	1470	●	●		●(+2)		●		●	●		
AM 2000	1960	●	●		●(+2)		●		●	●		

(*) Su attuatori AM50 e AM100 non disponibili contemporaneamente.

(*) On AM50 and AM100 actuators not available at the same time.



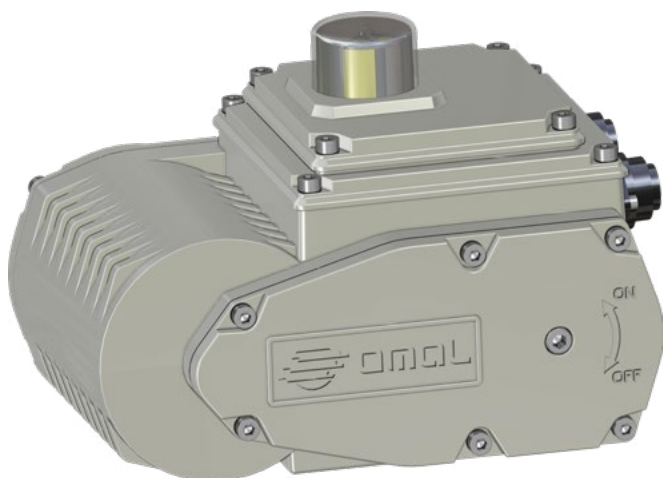
ATTUATORI ELETTRICI "AM" MODULANTE "AM" MODULAR ELECTRIC ACTUATOR SCHEMI ELETTRICI E COLLEGAMENTO ELECTRIC PLAN AND CONNECTION





ATTUATORE ELETTRICO TIPO ROTATIVO "EA" ON-OFF

ELECTRIC ACTUATOR "EA" ON-OFF ROTARY TYPE

**DATI TECNICI**

- Angolo di lavoro nominale: 90° regolabile tra 20° e 95°.
- Tipo di regolazione: continua mediante camme autofrenate e finecorsa elettromeccanici.
- Coppia di lavoro nominale: da 35 a 240 Nm.
- Tempo di manovra (0° - 90°): vedi diagramma.
- Servizio: S3 ED 50% secondo CEI 60034.
- Rispondenza alle norme: Direttiva bassa tensione 2014/35/UE; Direttiva compatibilità elettromagnetica 2014/30/CE.
- Grado di protezione: IP67 secondo EN60529.
- Temperatura ambiente di lavoro: -25° +60° C.
- Temperatura limite di stoccaggio: -40° +90° C.
- Protezione termostatica autoreset interna al motore.
- Avvolgimento motore con isolamento in classe F (155°C).
- Rotore supportato su cuscinetti a sfera.
- Attacco per azionamento manuale di emergenza (chiave esagonale in dotazione).
- Indicatore visivo esterno a semaforo con zona superiore graduata.
- Resistenza anticondensa di serie.
- Collegamenti elettrici tramite connettori IP68, disponibili a richiesta con cavo precablati.
- 2 finecorsa elettromeccanici SPDT per indicazione ausiliaria con camme regolabili su tutta la corsa.
- Rumorosità massima durante il funzionamento <70 dB (A).
- Tensione di alimentazione: 230 Vac ±10 %, 50/60 Hz monofase; 115 Vac ±10 %, 50/60 Hz monofase; 24 V ac/dc ±10%; 24 V dc ±5%.

TECHNICAL DATA

- *Nominal working angle: 90°, adjustable between 20° and 95°.*
- *Type of setting: continuous by means of self-locking cams and electromechanical limit switches.*
- *Nominal working torque: from 35 to 240 Nm.*
- *Operation time (0° - 90°): see diagram.*
- *Service: S3 ED 50% in compliance with CEI 60043.*
- *Applicable regulations: Low Voltage Directive 2014/35/UE; Electromagnetic Compatibility Directive 2014/30/CE.*
- *Enclosure: IP67 in compliance with EN60529.*
- *Working temperature: -25° +60°C.*
- *Storage temperature: -40° +90°C.*
- *Motor built-in auto-reset thermostatic protection.*
- *Motor with Class F insulation (155°C).*
- *Rotor supported by ball bearings.*
- *Connection for emergency manual lever (hexagonal wrench in equipment).*
- *External visual position indicator with graduated top.*
- *Space heater (standard).*
- *IP68 connectors also available, on request with pre-wired cable.*
- *No. 2 SPDT auxiliary electromechanical limit switches with cams adjustable all along the stroke.*
- *Maximum working noise: <70 dB (A).*
- *Supply voltage: 230 Vac ±10%, 50/60 Hz monophasic; 115 Vac ±10%, 50/60 Hz monophasic; 24 V ac/dc ±10%; 24 V dc ±5%.*

COPPIE TORQUE

MODELLO MODEL		EA0035	EA0070	EA0130	EA0240
Coppia nominale di lavoro <i>Nominal working torque</i>	Nm	35	70	130	240
Coppia max. per transitori <i>Maximum peak torque</i>	Nm	45	85	160	280

CODICI DI ORDINAZIONE ATTUATORE ACTUATORS ORDERING CODES

EA - - - - - 0

Coppia Torque

0035 = 35 Nm
0070 = 70 Nm
0130 = 130 Nm
0240 = 240 Nm

Alimentazione elettrica Voltage

A4 = 115 Vac 50/60 Hz
A5 = 230 Vac 50/60 Hz
U2 = 24 V ac/dc
C2 = 24 Vdc

Connettore Connector

C0 = connettore diretto *straight connector*
P0 = connettore a pipa *L shape connector*
V0 = 7 poli a vite *7 screw poles*
00 = Pressacavo solo per versione IP68
Cable gland only for IP68 version

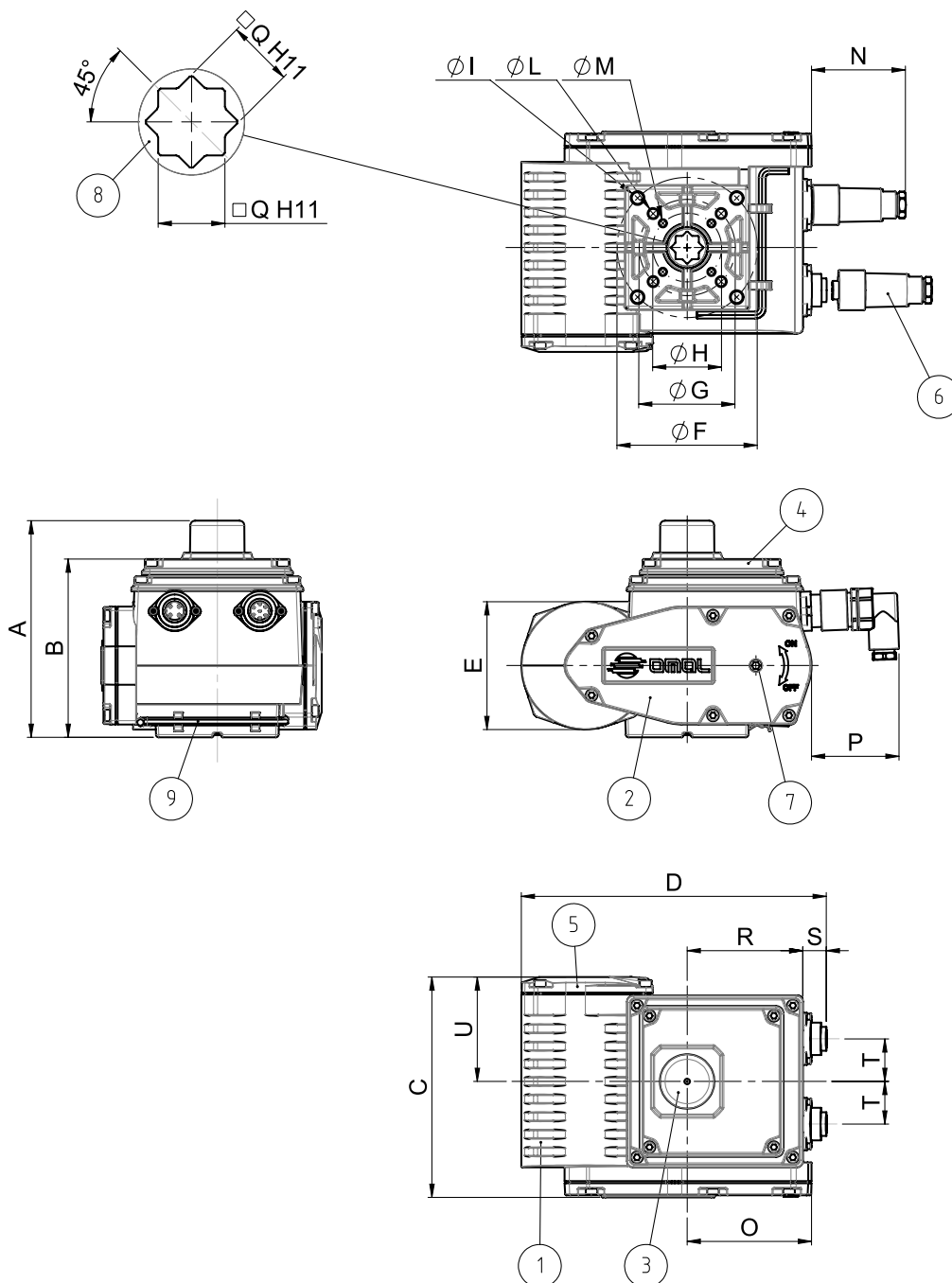
0 = STD (IP67)
B = IP68

Codici attuatore elettrico "EA" on-off Codes electrical actuator "EA" on-off

Voletaggio Voltage	Taglie di attuatori e relativi codici <i>Sizes and actuator codes</i>			
	EA0035 F03-F05-F07	EA0070 F05-F07	EA0130 F05-F07-F10	EA0240 F07-F10
230V 50/60 Hz	EA0035A5C000	EA0070A5C000	EA0130A5C000	EA0240A5C000
115V 50/60 Hz	EA0035A4C000	EA0070A4C000	EA0130A4C000	EA0240A4C000
24Vac/dc universale universal	EA0035U2C000	EA0070U2C000	EA0130U2C000	EA0240U2C000
24V dc	EA0035C2C000	EA0070C2C000	EA0130C2C000	EA0240C2C000



VERSIONE IP67 IP67 VERSION

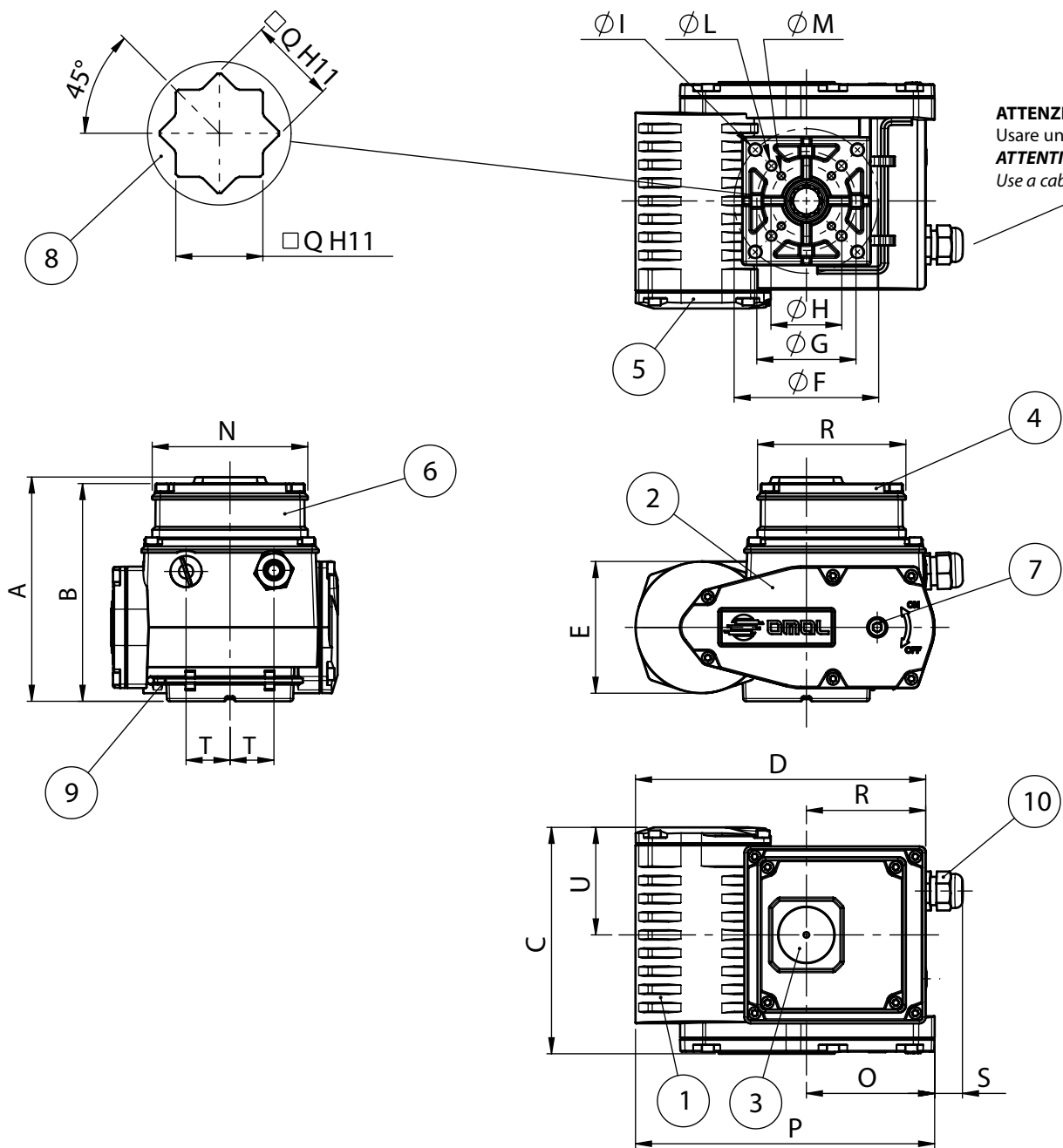


MATERIALI		MATERIALS	
1	Corpo - Body	Alluminio - Aluminium	
2	Coperchio del riduttore - Gear box cap	Alluminio - Aluminium	
3	Indicatore di posizione - Position indicator	PMMA	
4	Coperchio gruppo elettrico - Electric-set cap	Alluminio - Aluminium	
5	Coperchio morsettiera - Terminal-box cap	Alluminio - Aluminium	
6	Connettore - Connector	PA6 / PBT	
7	Attacco per leva - Lever connection	Acciaio - Steel	
8	Albero femmina - Female shaft	Acciaio inox - Stainless steel	
9	Leva - Lever	Acciaio inox - Stainless steel	

DIMENSIONI		DIMENSIONS																		
	A	B	C	D	E	ØF	ØG	ØH	ØI	ØL	ØM	N	O	P	Q	R	S	T	U	Kg
EA0035	137	109	132	190	84	70	50	36	M8x14	M6x11	M5x9	70	74	59	14	69	18	26	67,5	3,6
EA0070	137	109	136	190	84	70	50	--	M8x14	M6x11	--	70	74	59	14	69	18	26	67,5	3,8
EA0130	157,5	129,5	160	221,5	93	102	70	50	M10x17	M8x15	M6x11	67,5	90,5	57	17	84	17	31	76	7,2
EA0240	157,5	129,5	163,5	221,5	93	102	70	--	M10x17	M8x15	--	67,5	90,5	57	22	84	17	31	76	7,5



VERSIONE IP68 IP68 VERSION



ATTENZIONE:
Usare un cavo Ø7-13mm
ATTENTION:
Use a cable Ø7-13mm

MATERIALI MATERIALS

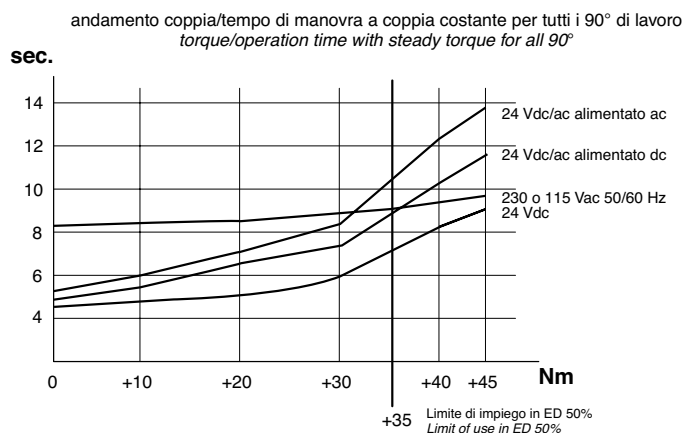
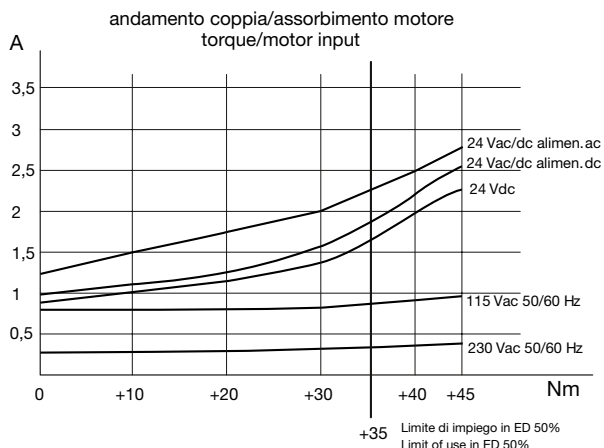
1	Corpo Body	Alluminio Aluminium
2	Coperchio del riduttore Gear box cap	Alluminio Aluminium
3	Indicatore di posizione Position indicator	PMMA
4	Coperchio gruppo elettrico Electric-set cap	Alluminio Aluminium
5	Coperchio morsettiera Terminal-box cap	Alluminio Aluminium
6	Box H27	Alluminio Aluminium
7	Attacco per leva Lever connection	Acciaio Steel
8	Albero femmina Female shaft	Acciaio inox Stainless steel
9	Leva Lever	Acciaio inox Stainless steel
10	Pressacavo Cable gland	Ottone Brass

DIMENSIONI DIMENSIONS

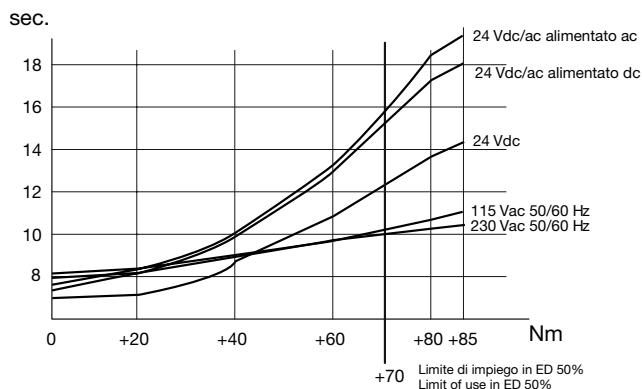
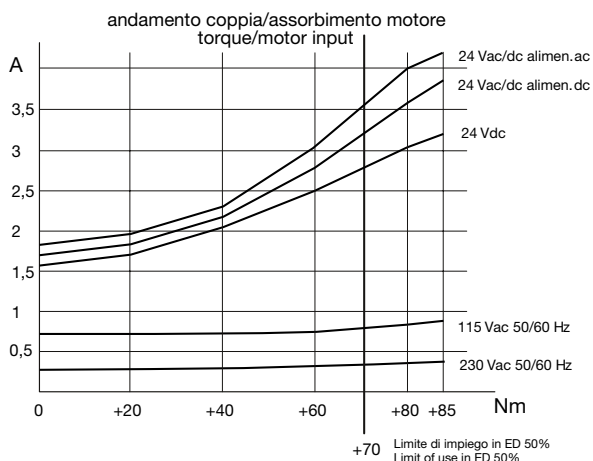
	A	B	C	D	E	øF	øG	øH	øI	øL	øM	N	O	P	Q	R	S	T	U	Kg
EA0035	142,1	137,5	132	172	84	70	50	36	M8x14	M6x11	M5x9	109,8	74	177,1	14	69	14	26	67,5	3,8
EA0070	142,1	137,5	136	172	84	70	50	--	M8x14	M6x11	--	109,8	74	177,1	14	69	14	26	67,5	4
EA0130	162,8	158,2	160	204,6	93	102	70	50	M10x17	M8x15	M6x11	109,8	90,5	211,1	17	84	12	31	76	7,4
EA0240	162,8	158,2	163,5	204,6	93	102	70	--	M10x17	M8x15	--	109,8	90,5	211,1	22	84	12	31	76	7,7



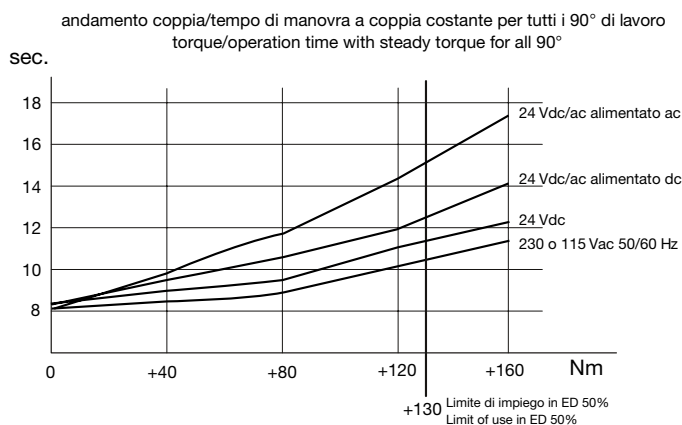
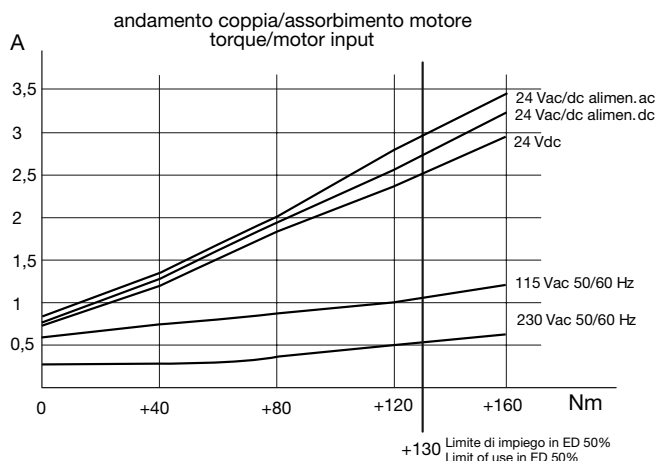
DIAGRAMMI DI FUNZIONAMENTO EA0035 EA0035 WORKING DIAGRAMS



DIAGRAMMI DI FUNZIONAMENTO EA0070 EA0070 WORKING DIAGRAMS



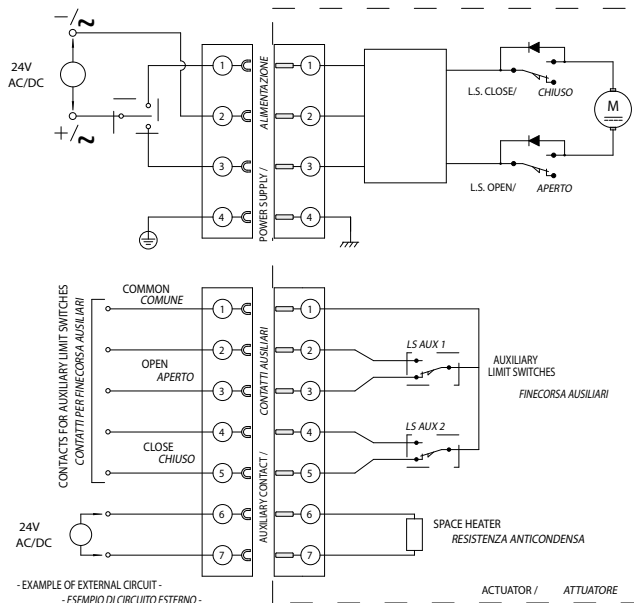
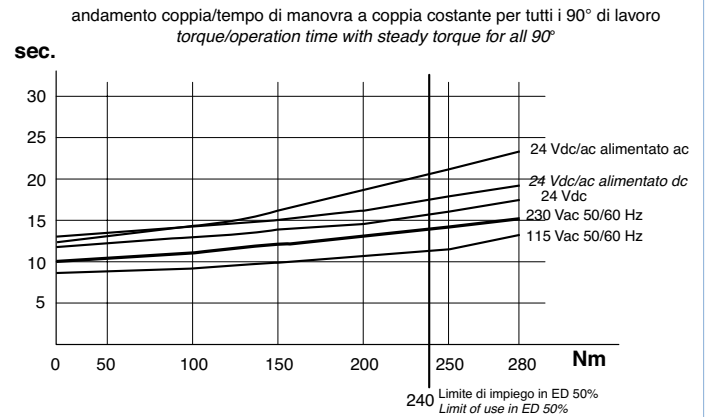
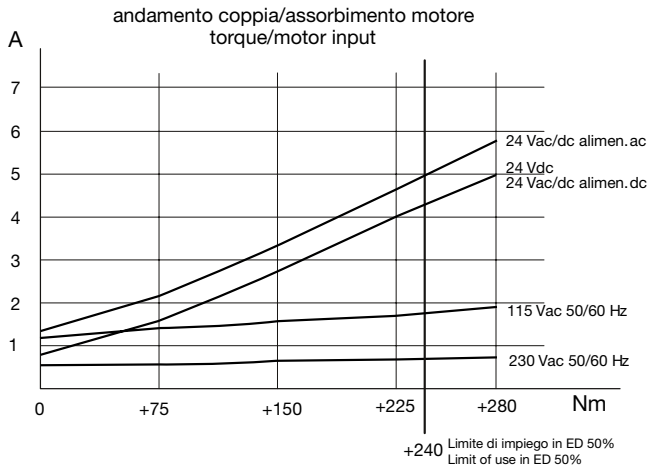
DIAGRAMMI DI FUNZIONAMENTO EA0130 EA0130 WORKING DIAGRAMS





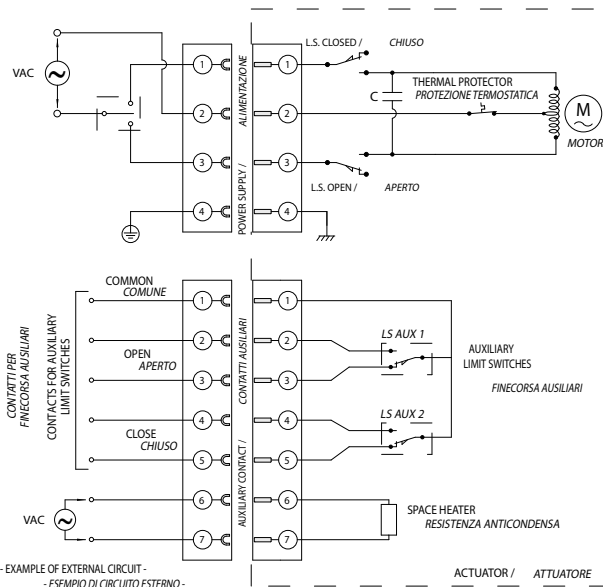
DIAGRAMMI DI FUNZIONAMENTO EA0240

EA0240 WORKING DIAGRAMS



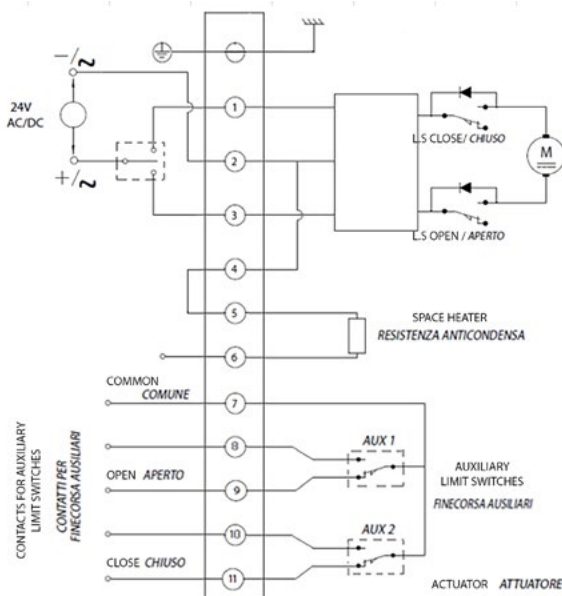
SCHEMA ELETTRICO IP67 DI COLLEGAMENTO PER ALIMENTAZIONE 24 Vac/dc - 24 Vdc

ELECTRIC WIRING FOR 24 Vac/dc - 24 Vdc SUPPLY



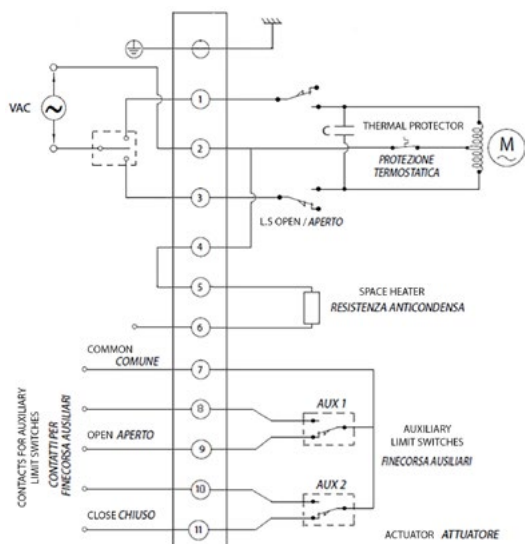
SCHEMA ELETTRICO IP67 DI COLLEGAMENTO PER ALIMENTAZIONE 115 - 230 Vac

ELECTRIC WIRING FOR 115 - 230 Vac SUPPLY



**SCHEMA ELETTRICO IP68
DI COLLEGAMENTO PER
ALIMENTAZIONE 24 Vac/dc - 24 Vdc**

*ELECTRIC WIRING
FOR 24 Vac/dc - 24 Vdc SUPPLY*



**SCHEMA ELETTRICO IP68
DI COLLEGAMENTO PER
ALIMENTAZIONE 115 - 230 Vac**

*ELECTRIC WIRING
FOR 115 - 230 Vac SUPPLY*



ATTUATORE ELETTRICO ROTATIVO TIPO EF 25-250

ROTARY ELECTRIC ACTUATOR TYPE EF 25-250



DATI TECNICI

- Attuatore elettrico tipo rotativo utilizzabile in applicazioni aperto/chiuso e modulante.
- Usato per valvole con angolo di rotazione da 90° a 180°.
- Posizione aperto/chiuso/intermedio.
- Coppia nominale: 10-100 Nm.
- Coppia di picco: 25-250 Nm.
- Tensione di alimentazione: AC 100-230 V, 50/60 Hz;
AC/DC 24 V, 50/60 Hz.
- Tolleranza di alimentazione $\pm 15\%$.
- Classe di protezione IP65 (IP67 con pressacavo e installazione verticale) secondo EN 60529.
- Attuatori per valvole industriali EN 15714-2.
- Temperatura di esercizio: da -10°C* a +50°C.
- Umidità relativa: Max. 90% senza condensa.
- Materiale corpo: PP caricato vetro.

*A temperature inferiori a -10°C e in presenza di umidità l'elemento riscaldante deve essere attivato.

OPTIONAL A RICHIESTA

- Posizionatore: Corrente, tensione.
- Connessione: Profibus DP.
- Ritorno in posizione di sicurezza: Batteria interna, alimentazione dall'esterno.
- Moduli aggiuntivi: Monitoraggio cicli, contatore cicli, monitoraggio corrente motore.

TECHNICAL DATA

- Rotating electric actuator that can be utilized in either open/close or modulating applications.
- Used to operate valves with rotating angle from 90° to 180°.
- Open/close/middle position.
- Nominal torque: 10-100 Nm.
- Peak torque: 25-250 Nm.
- Rated voltage: : AC 100-230 V, 50/60 Hz;
AC/DC 24 V, 50/60 Hz.
- Rated voltage tolerance: +/- 15%.
- Protection class: IP 65 (IP 67 when used with cable glands and vertical installation) per EN60529.
- Actuators for industrial valves EN 15714-2.
- Ambient temperature: -10°C* +50°C.
- Allowable humidity: Max. 90% relative humidity, non-condensing.
- Housing material: glass-filled PP.

*At temperature below -10°C and if there is condensation, the heating element should be activated.

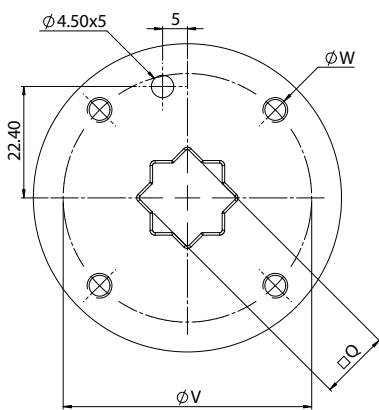
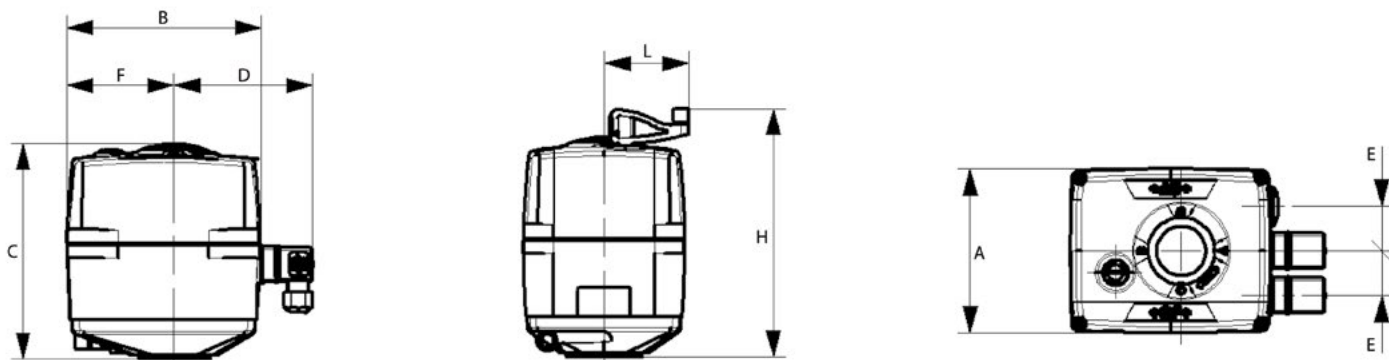
OPTIONAL ON REQUEST

- Positioner: Current, voltage.
- Network: Profibus DP.
- Fail safe return: Battery back up, externally powered board.
- Smart module: Cycle monitoring, cycle counter, motor current monitoring.

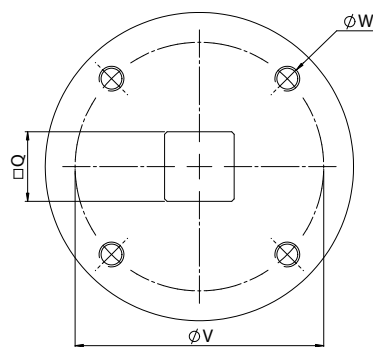


SCHEDA TECNICA DATA SHEET

	EF 25	EF 45	EF 120	EF 250
Coppia nominale <i>Nominal torque</i> (Nm)	10	20	60	100
Coppia di picco <i>Peak output torque</i> (Nm)	25	45	120	250
Carico di lavoro <i>Duty cycle</i>	100%	50%	50%	35%
Tempo ciclo alla coppia nominale <i>Cycle time at nominal torque</i>	5 s/90°	6 s/90°	15 s/90°	20 s/90°
Tensione di alimentazione <i>Rated voltage</i>	100-230 VAC, 50/60 HZ 24VAC/DC, 50/60 HZ			
Potenza nominale in uscita <i>Rated output</i>	35VA @ 100-230VAC 40VA @ 24VAC/DC	55VA @ 100-230VAC 60VA @ 24VAC/DC	50VA @ 100-230VAC 55VA @ 24VAC/DC	60VA @ 100-230VAC 65VA @ 24VAC/DC
Assorbimento <i>Current draw</i>	0.35A @ 100VAC 0.15A @ 230 1.7A @ 24VDC	0.55A @ 100VAC 0.24A @ 230 2.5A @ 24VDC	0.5A @ 100VAC 0.22A @ 230 2.3A @ 24VDC	0.55A @ 100VAC 0.26A @ 230 2.7A @ 24VDC
Peso <i>Weight</i> (kg)	2,1	2,2	3,6	5
Angolo di rotazione <i>Actuating angle</i>	Max. 355°, set @ 90°			
Cicli testati (a 20°C e coppia nominale) <i>Tested cycles (at 20°C and nominal torque)</i>	250 000	100 000	100 000	75 000



EF 25-45



EF 120-250

DIMENSIONI DIMENSIONS

TIPO TYPE	ISO	A	B	C	D	E	F	H	L	Q	øV	øW
EF 25	F05	122	150	167	108	33	83	189	64	14	50	M6
EF 45	F05	122	150	167	108	33	83	189	64	14	50	M6
EF 120	F07	122	150	190	108	33	83	212	64	17	70	M8
EF 250	F07	122	150	208	108	33	83	230	64	17	70	M8



NOTES:

A large area of the page is filled with horizontal dotted lines, providing a template for handwritten notes.



OMAL S.p.A. Società Benefit

Headquarter Via Ponte Nuovo, 11 - 25050 Rodengo Saiano (BS), Italy

Production Site Via Brognolo, 12 - 25050 Passirano (BS), Italy

Ph. +39 030 8900145 · Fax +39 030 8900423 · info@omal.it

OMAL USA Corp.

1835 Airport Exchange Blvd, Suite 100- 41018 Erlanger, (Kentucky), USA

Ph. +1 (859) 900-2108 · info@omal.com

OMAL Asia Pacific Ltd.

26/73, Moo 7, Racha Thewa Sub-district, Bang Phli District,
Samut Prakan Province, (Bangkok), Thailand

Ph. 02-117-1188 · info@omal.co.th

www.omal.com